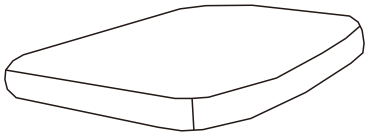


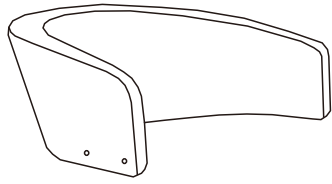
Assembly Instructions

A



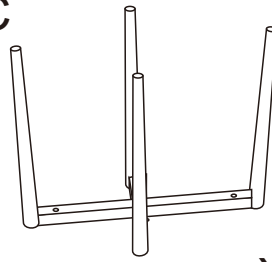
x1

B



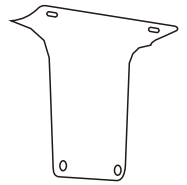
x1

C



x1

D



x2

E



x4

F



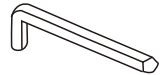
x8

G



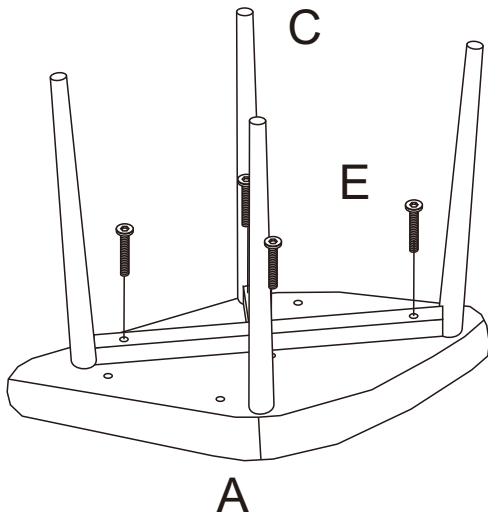
x4

H

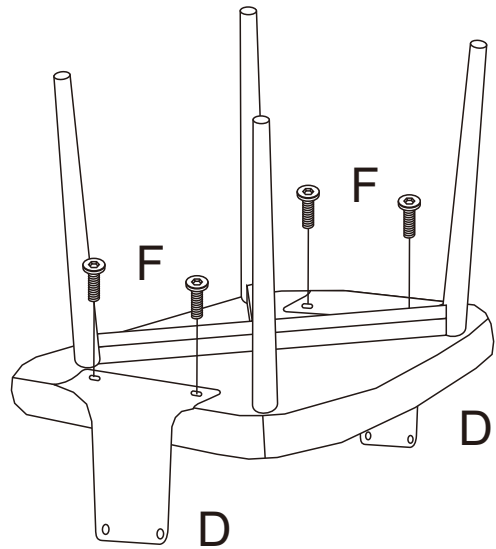


x1

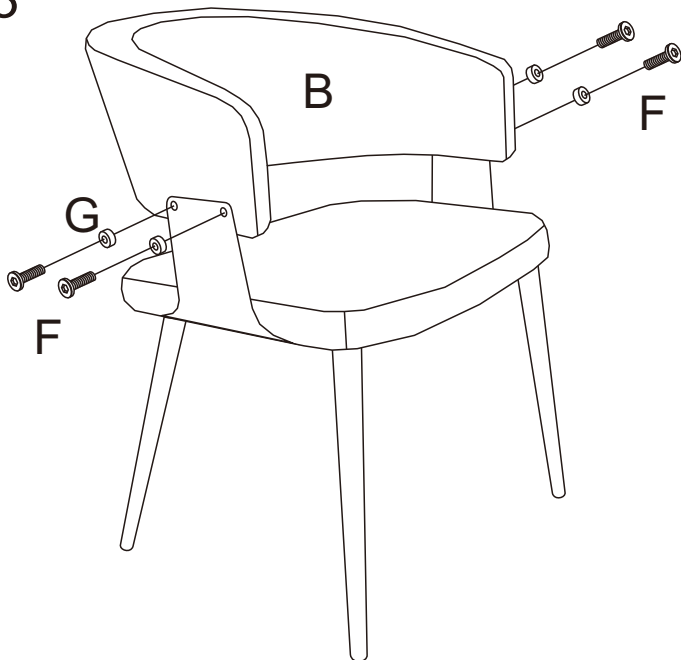
01



02



03



04

