
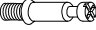

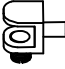


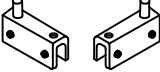

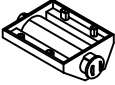
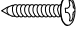
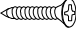





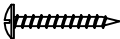


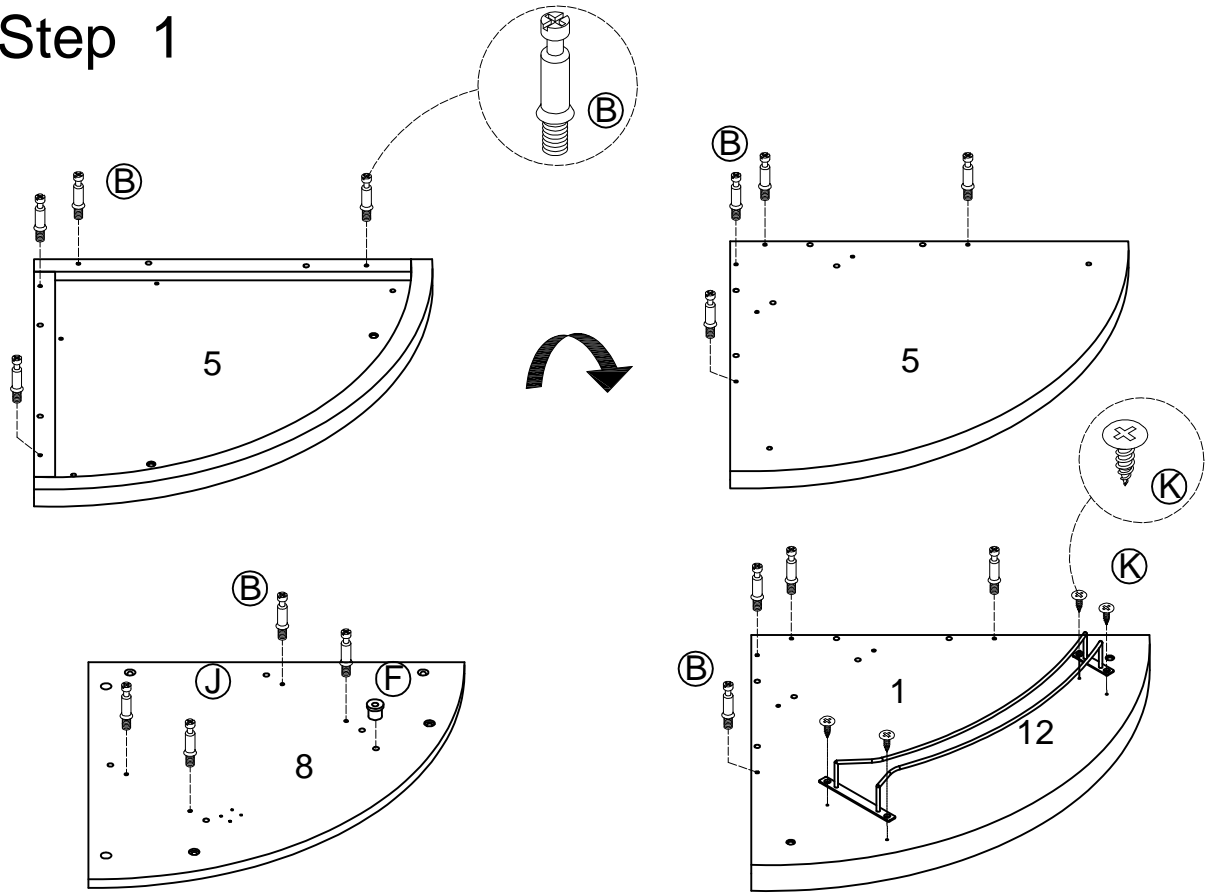


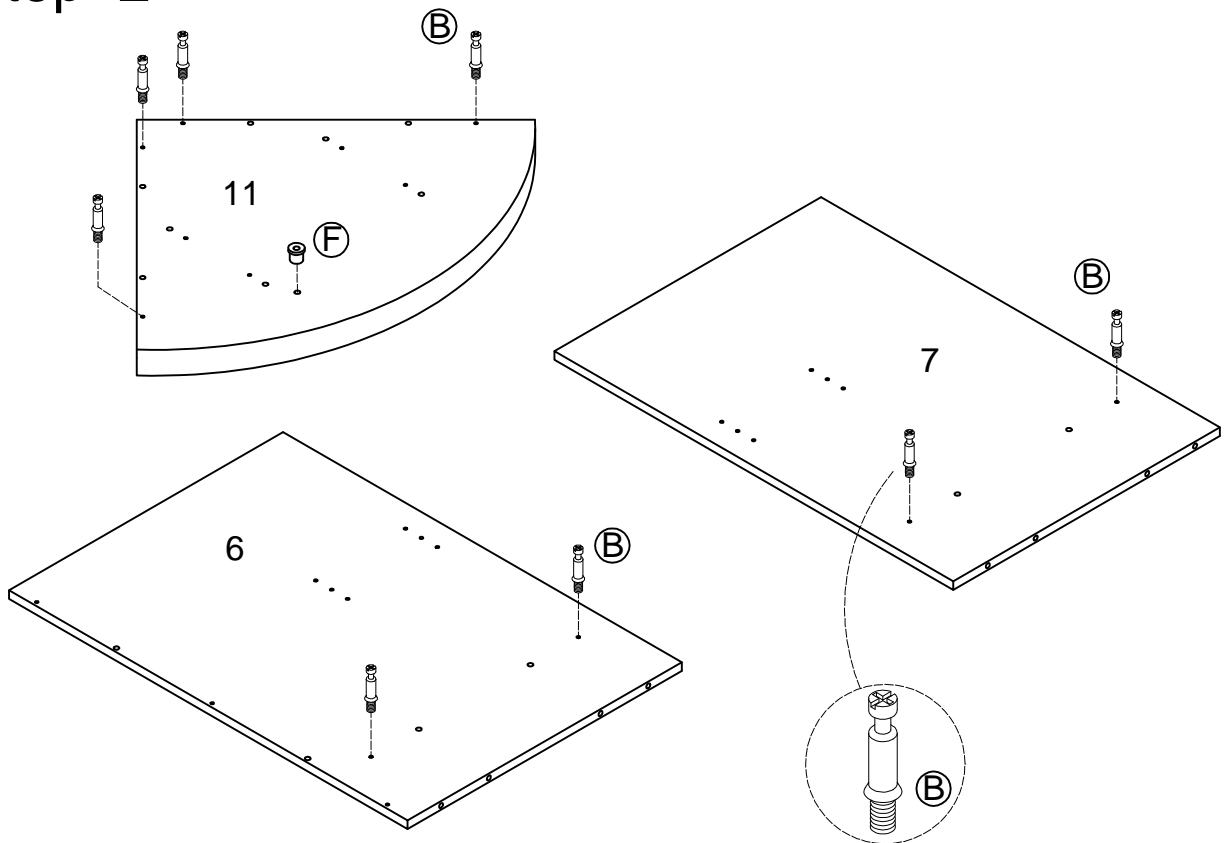
Hardware List

A		Ø8x30mm	wooden dowel	36 pcs
B		Ø6x35mm	Cam bolt	24 pcs
C		Ø15x11mm	Cam lock	24 pcs
D			Glass support	16 pcs
E		Ø4x44mm	Fast screw	14 pcs
F		Ø8*12	Door shaft support	2 pcs
G			Hinge	1 set
H			pressure catche	1 pc
I			Magnetic pressure catche	1 pc
J		Ø3.5x15mm	Screw	4 pcs
K		Ø3.5x15mm	Screw	10 pcs
L		1/4x38mm	Screw	4 pcs
M		1/4x32mm	Bolt	8 pcs
N		Ø25mm	paper cover	16 pcs
O			Glue tube	1 pc
P		Ø9*4*12mm	Screw	2 pcs
Q		Ø9*4*26mm	Screw	2 pcs
R		150*25mm	Wall strap	2 pcs
S		Ø7*30mm	Plug	2 pcs

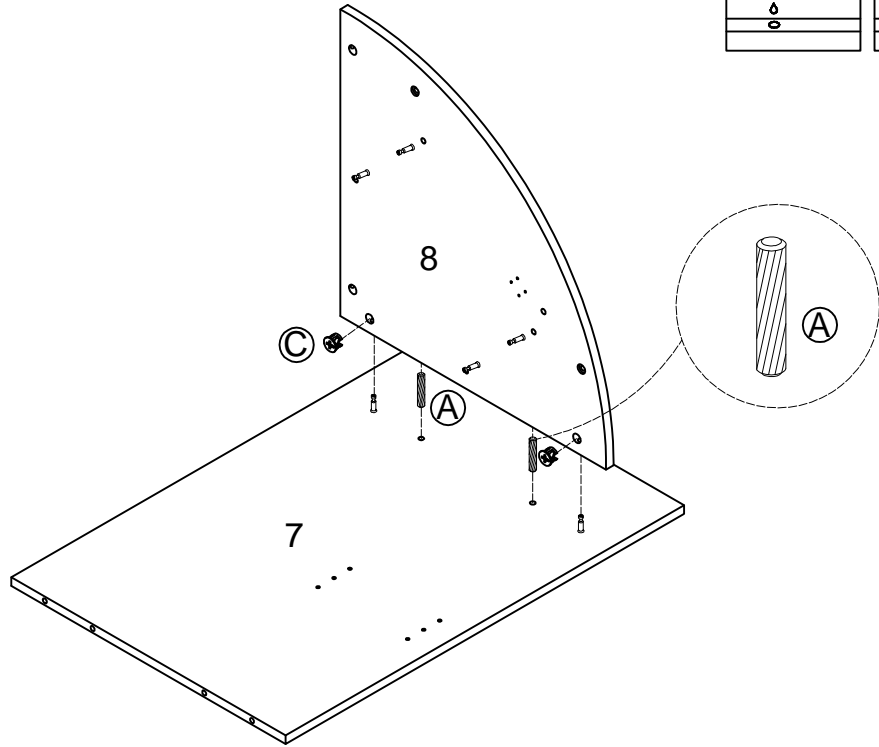
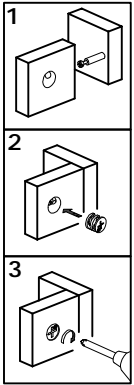
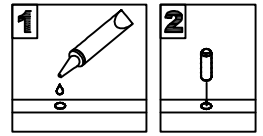
Step 1



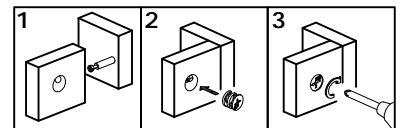
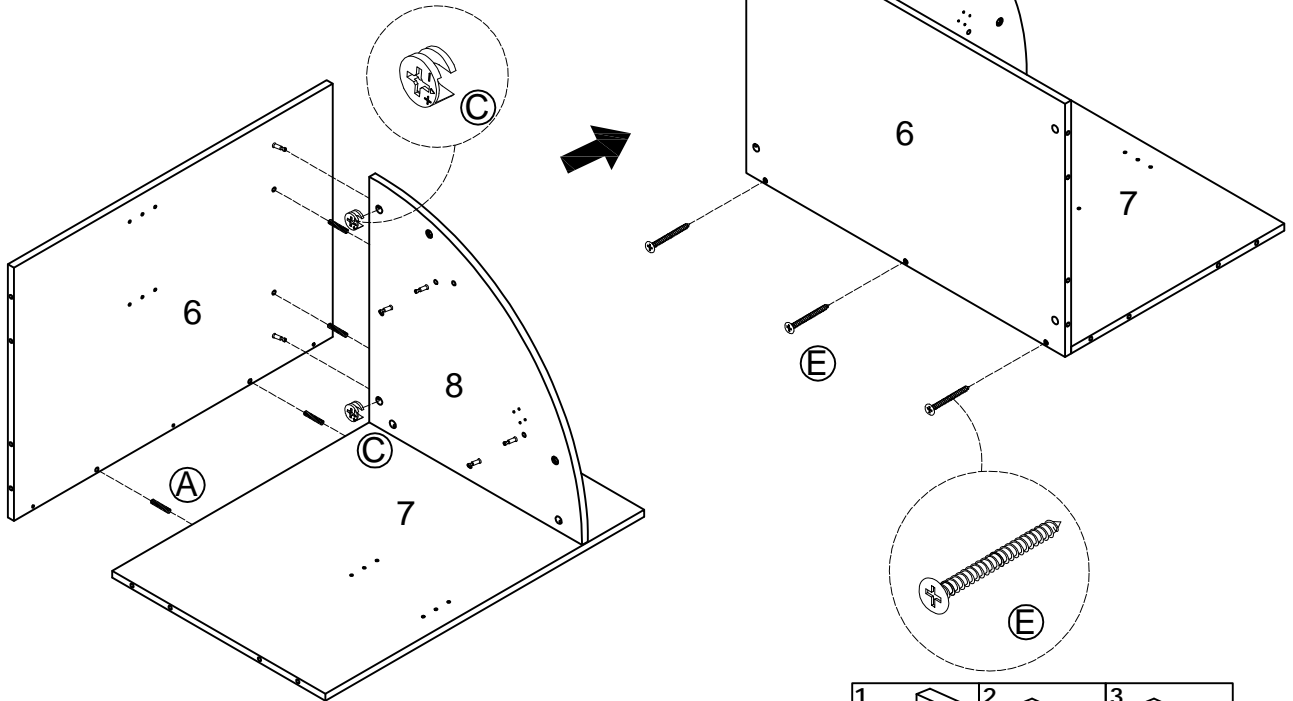
Step 2



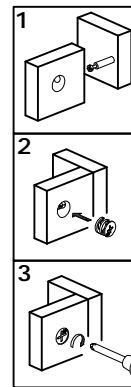
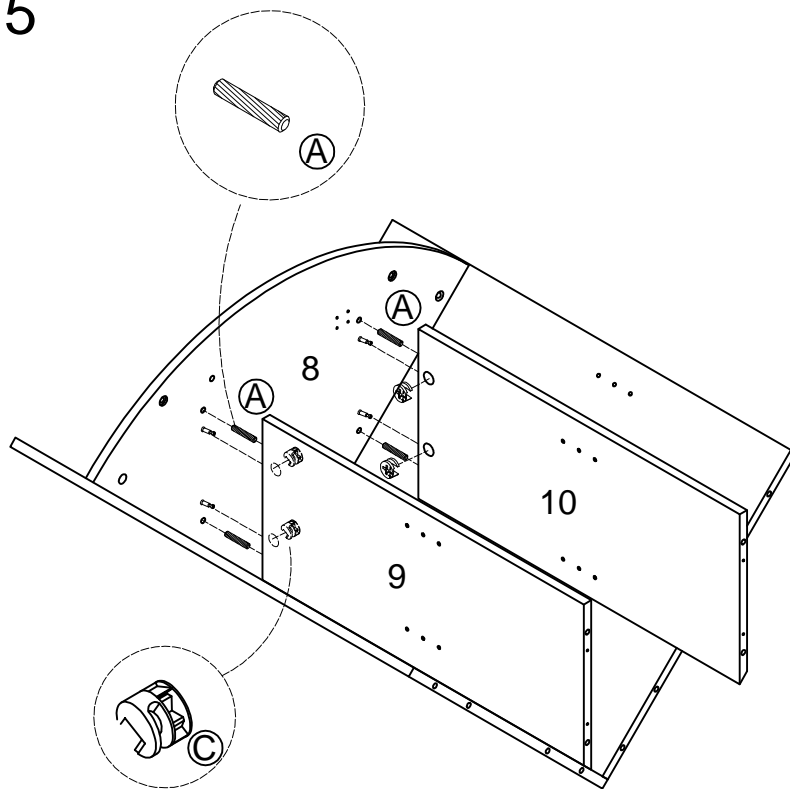
Step 3



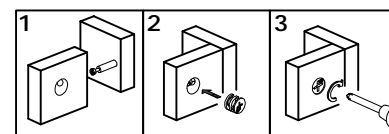
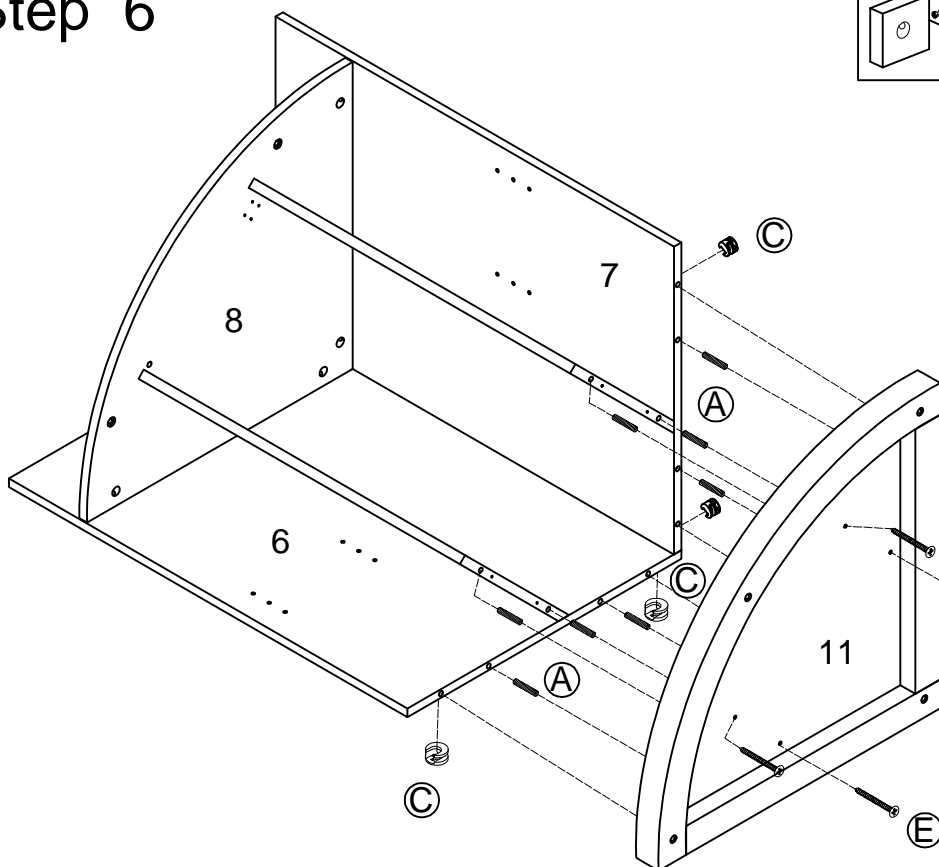
Step 4



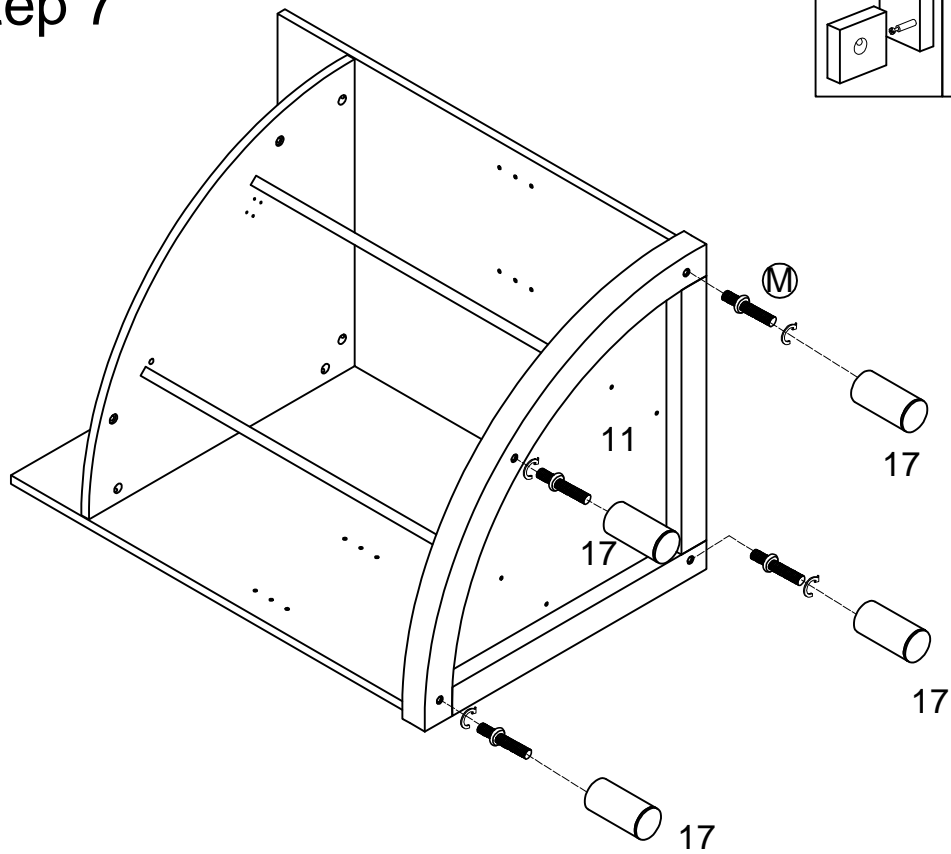
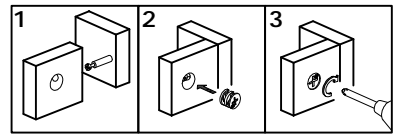
Step 5



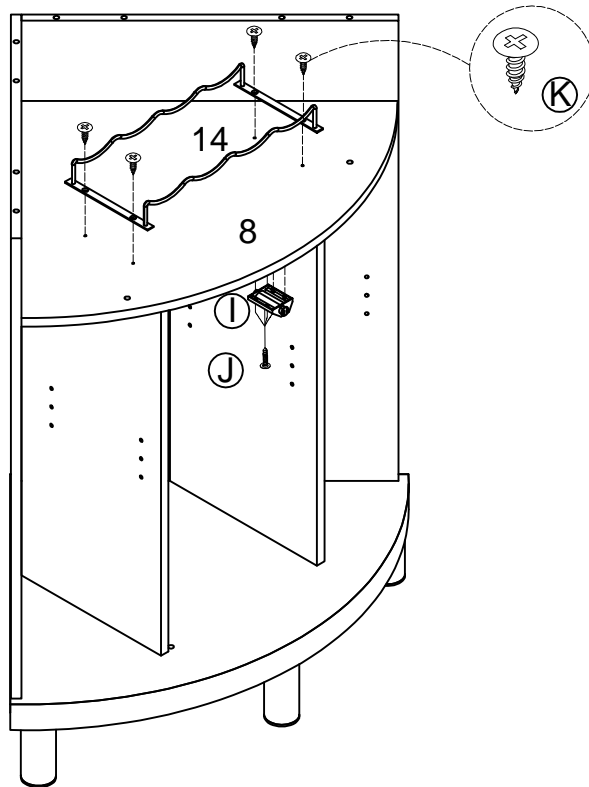
Step 6



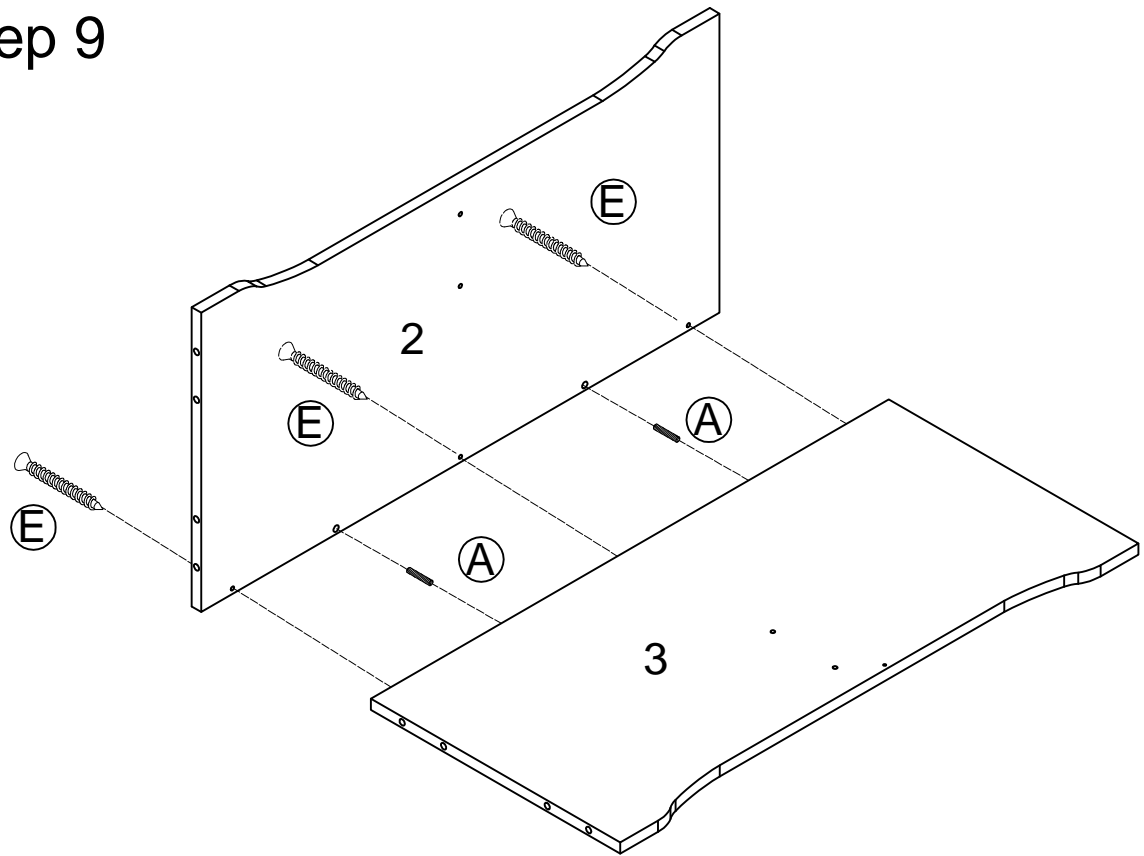
Step 7



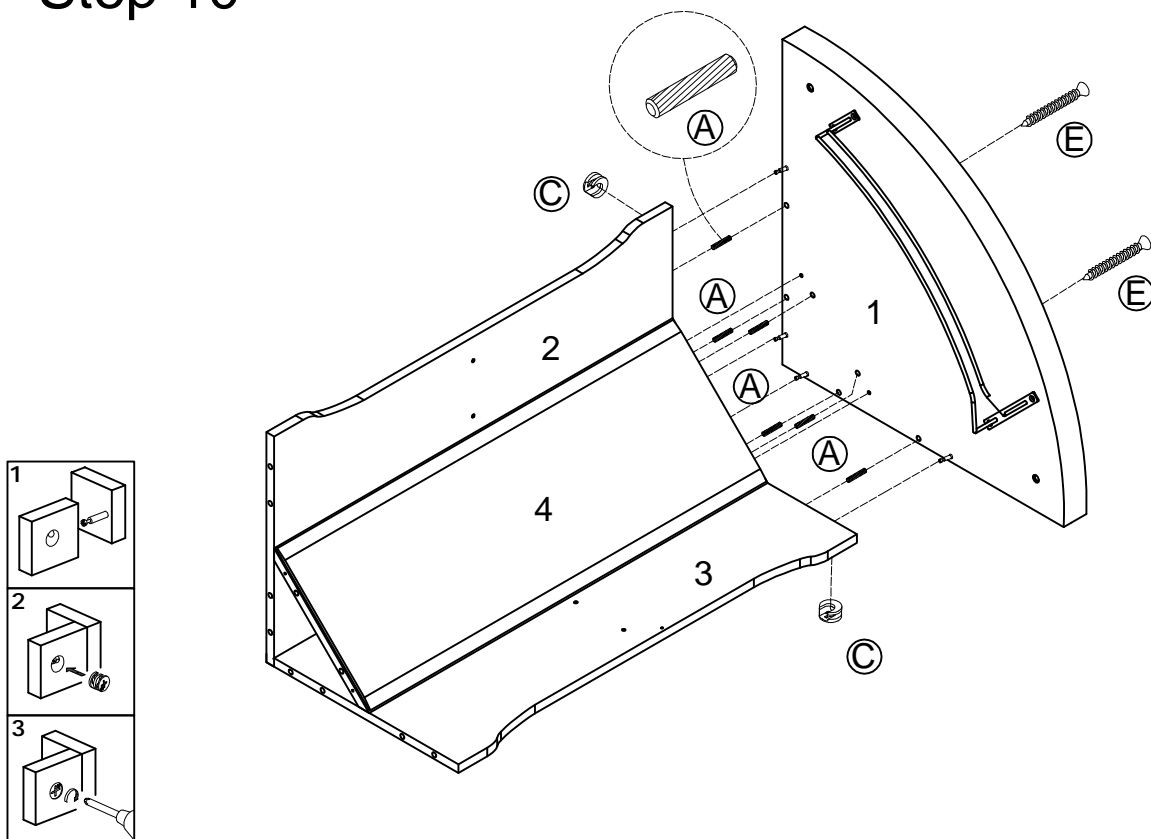
Step 8



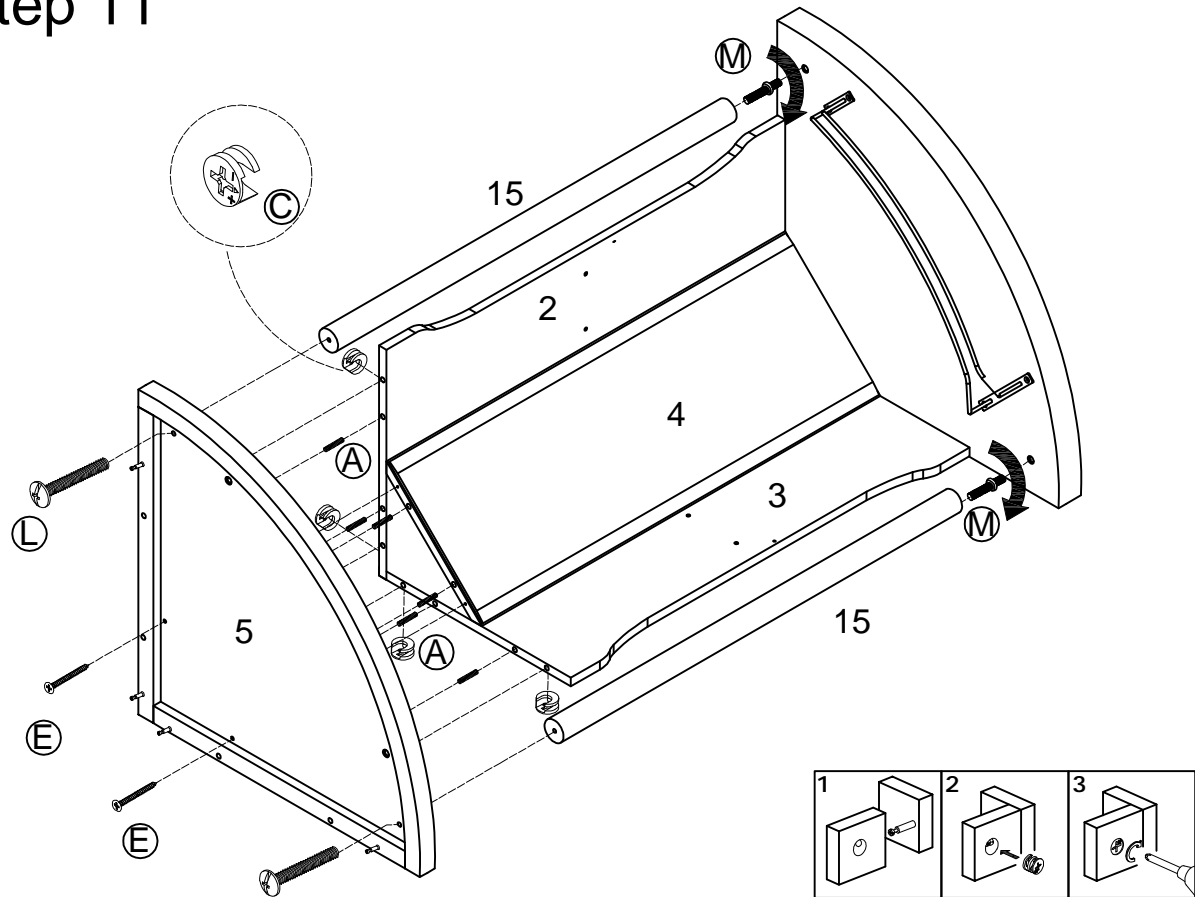
Step 9



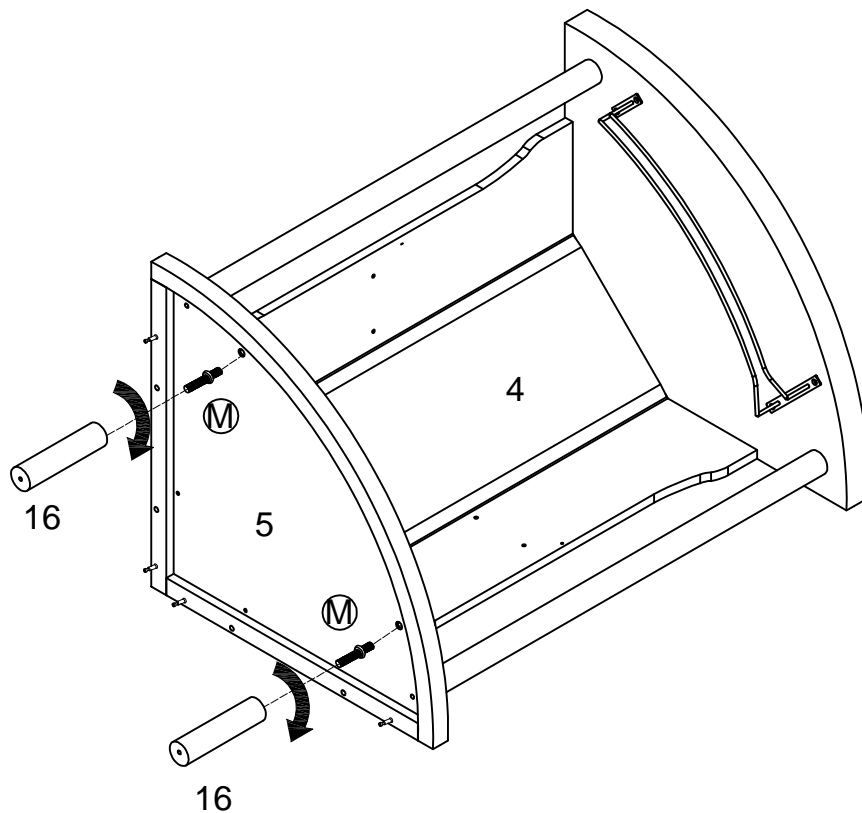
Step 10



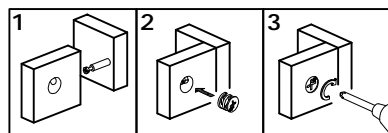
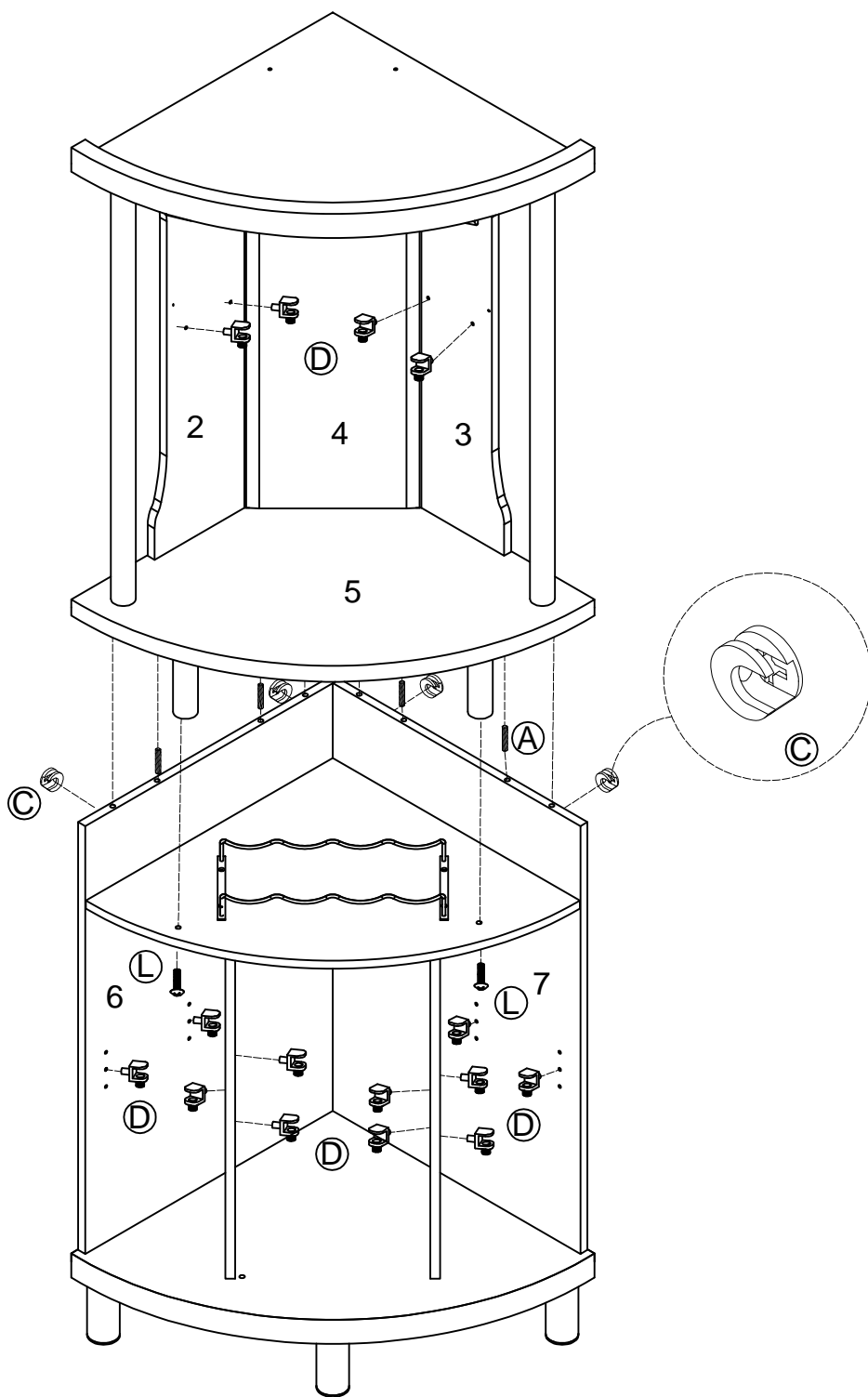
Step 11



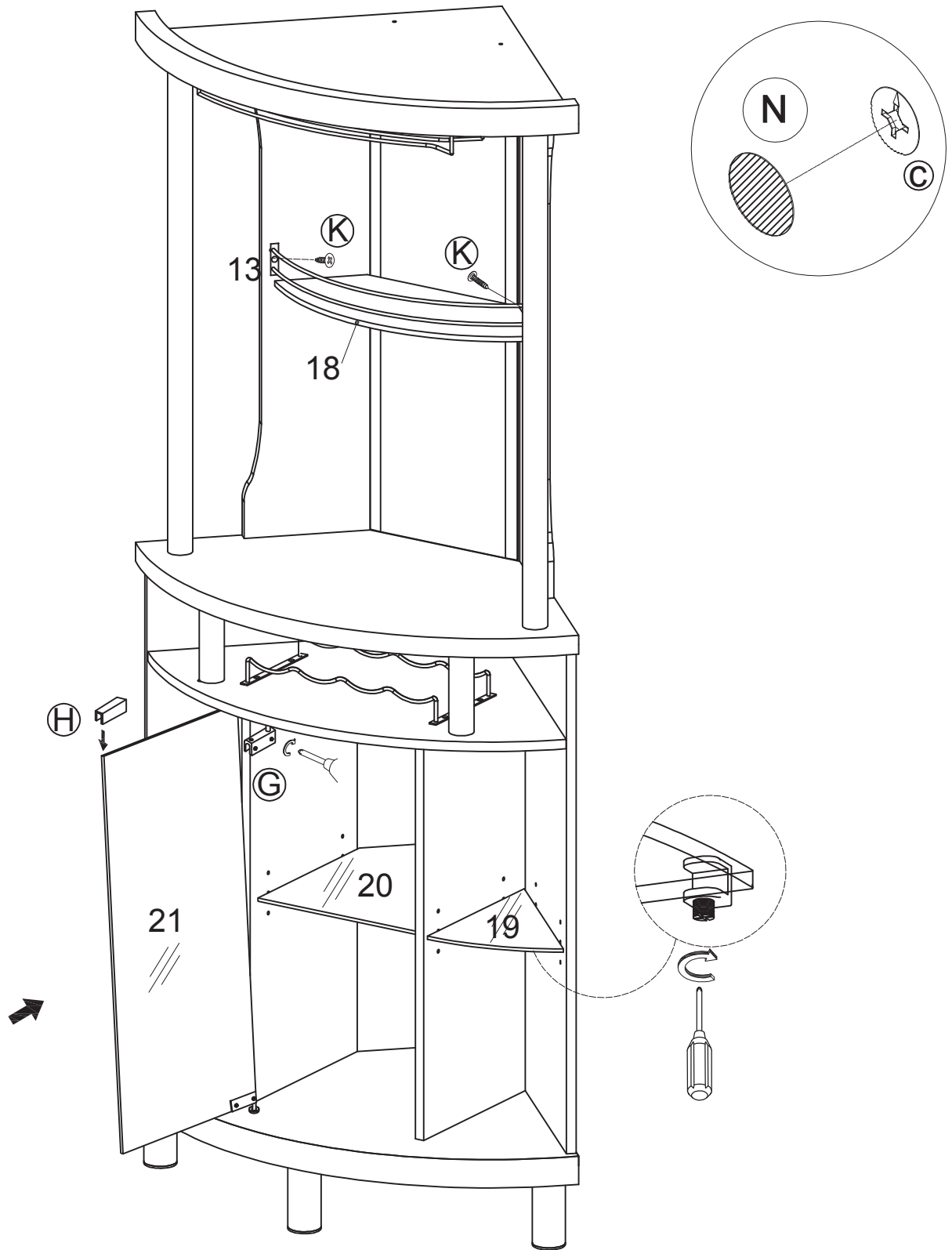
Step 12



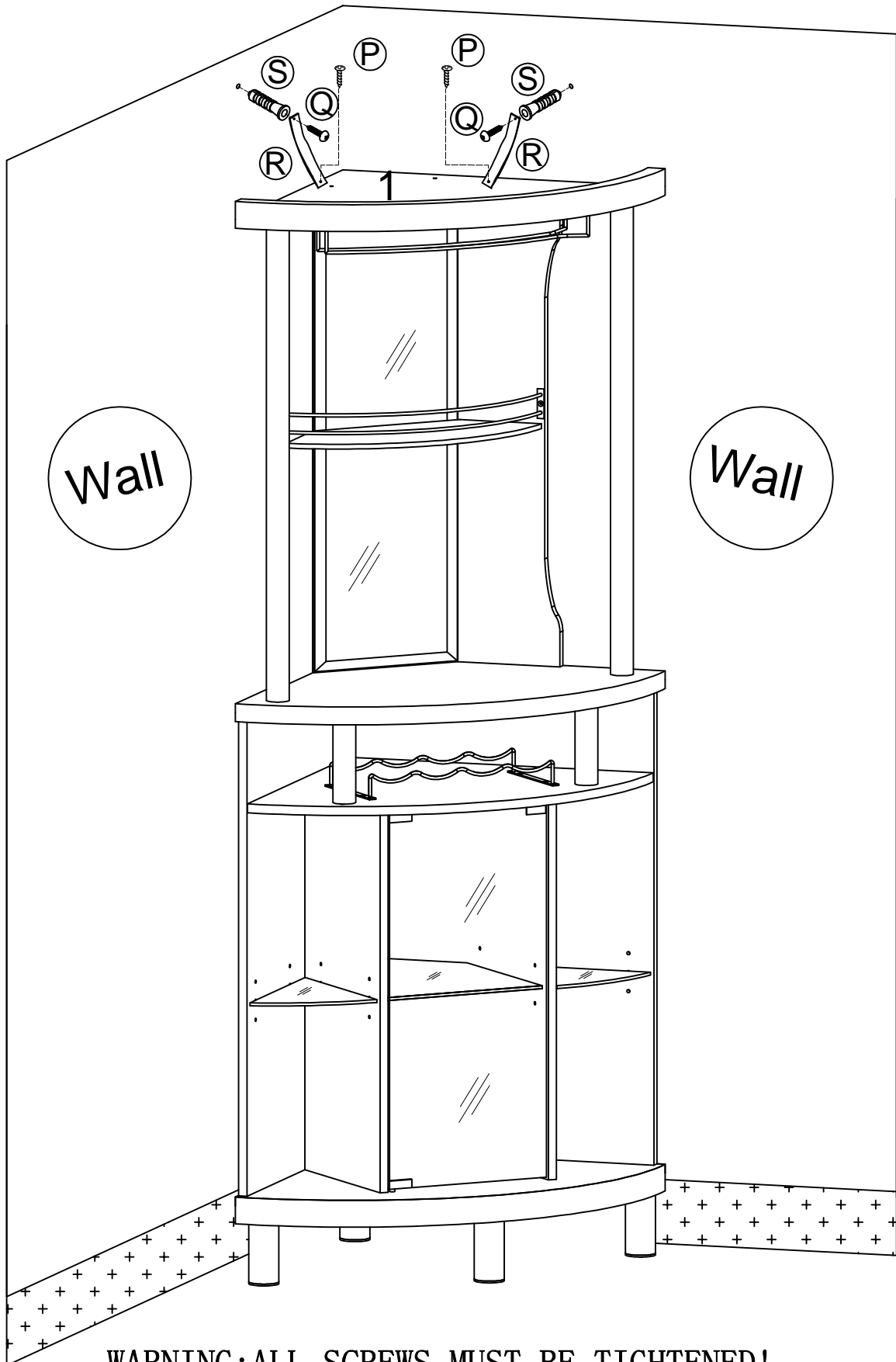
Step 13



Step 14



Step 15



WARNING: ALL SCREWS MUST BE TIGHTENED!