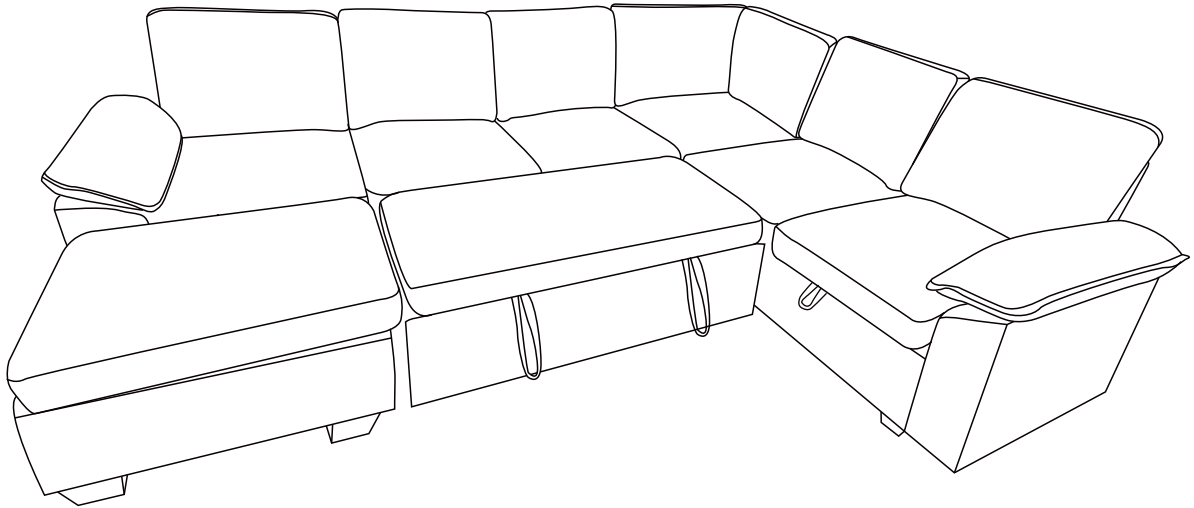


7-Seater Sofa Bed - Assembly Instructions



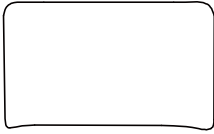
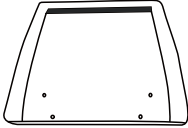
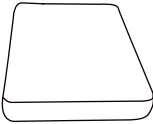
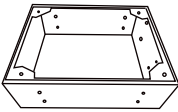

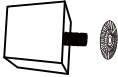


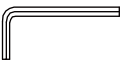
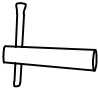

Important Notices

Please read this manual carefully before assembly and keep it for future reference.

Note: Components for different sections (e.g., armless chairs, pull-out bed) are packaged separately. Please verify all parts against the respective parts lists before starting assembly.

Armless Chair Instructions

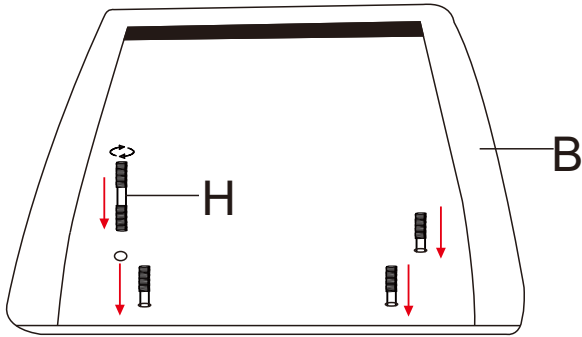
Parts List

A	Red		Back cushion	1
B	Red		Back armrest	1
C	Red		Cushion	1
D	Red		Seat	1
O	White		Arm	1
F	Red		Foot	4
G	Red		Screw	4
H	Red		Screw	8
I	Red		Wrench	1
J	Red		Wrench	1
Q	White		Arm bag	1

Note: Parts come from different packages.

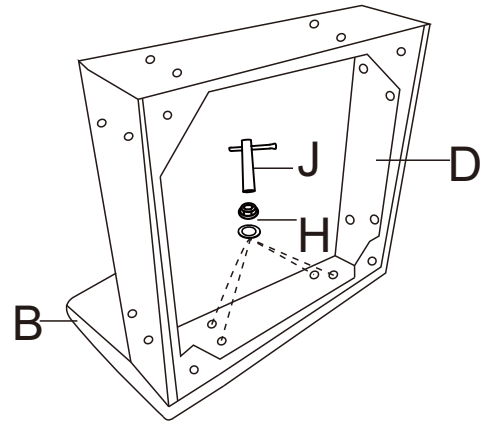
Single Seat Assembly Notes

1

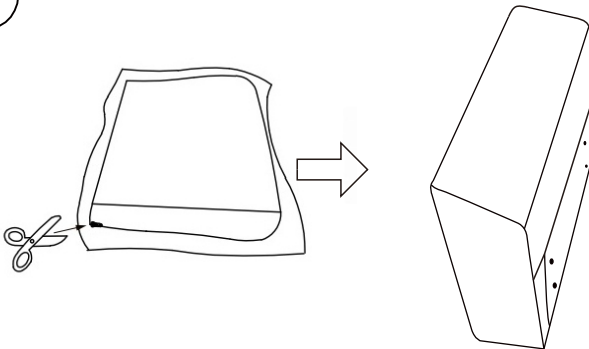


Twist until there are no threads

2

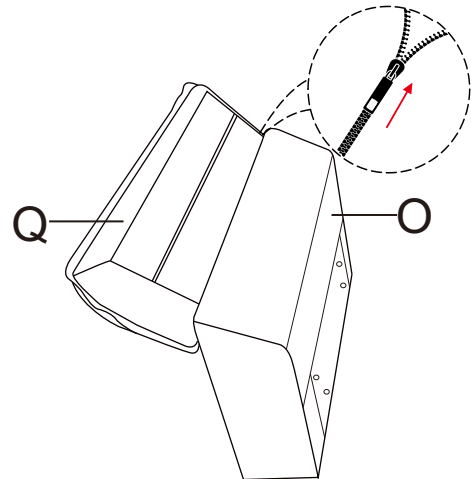


3

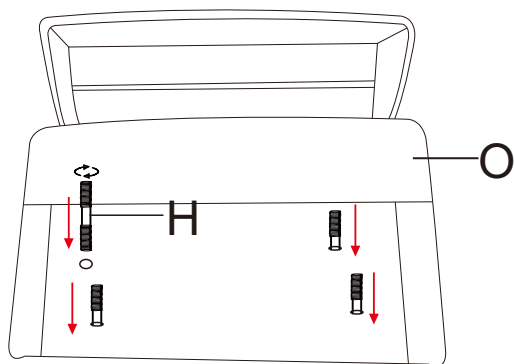


Cut open the bag, allow the armrest to retract naturally, and gently tap the sponge to facilitate its restoration.

4

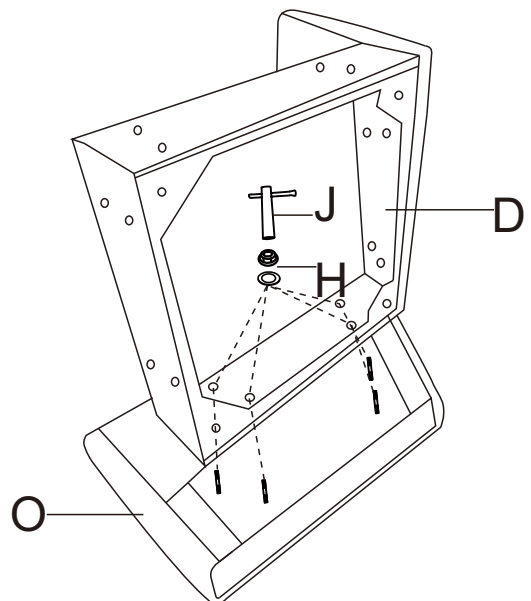


5



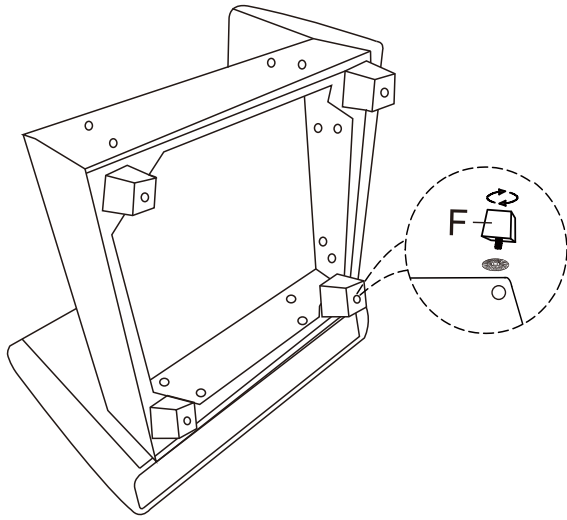
Twist until there are no threads

6

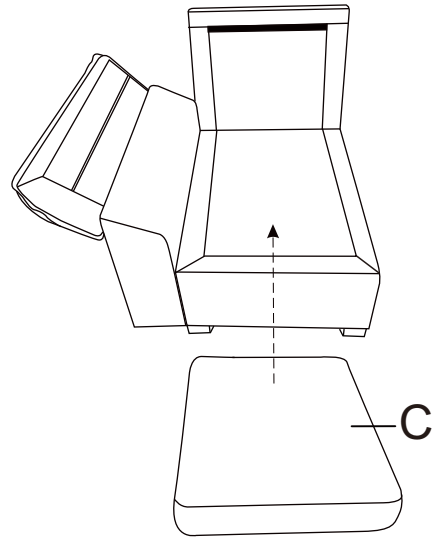


Single Seat Assembly Notes

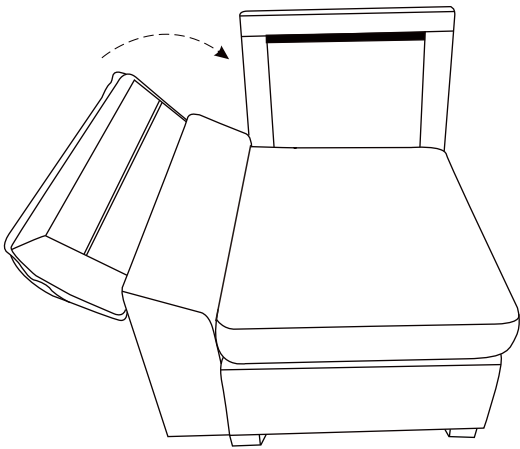
7



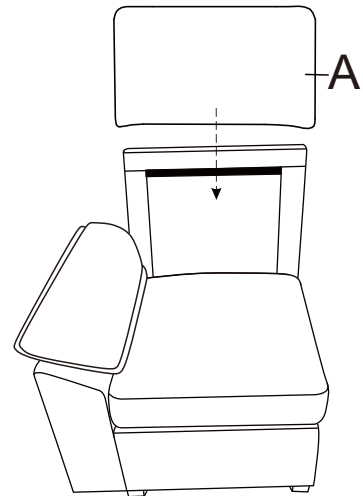
8



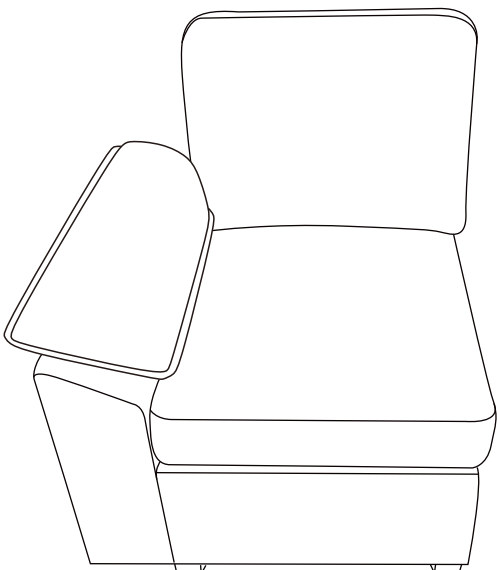
9



10


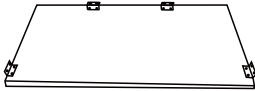



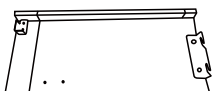
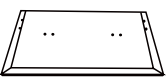


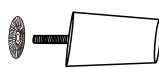
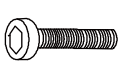
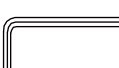
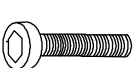


11



Pull-out Bed Instructions

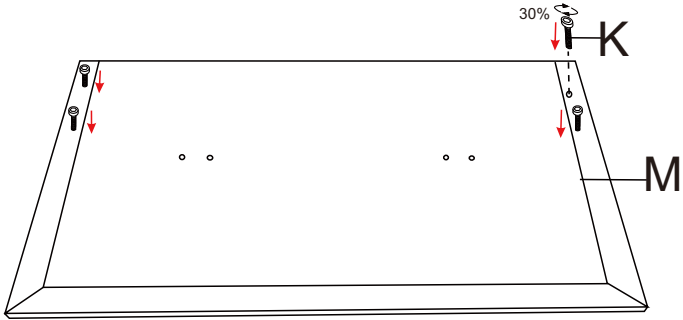
Parts List

A	Yellow		Back cushion	2
B	Yellow		Cover plate	1
C	Yellow		Cushion	2
D	Yellow		Seat	1
E	Yellow		Left panel	1
F	Yellow		Right panel	1
M	Yellow		Back frame	1
H	Yellow		Sit on a soft bag	1
I	Yellow		Seat frame	1
J	Yellow		Foot	4
K	Yellow		Screw	12
L	Yellow		Wrench	1
R	Yellow		Screw	3

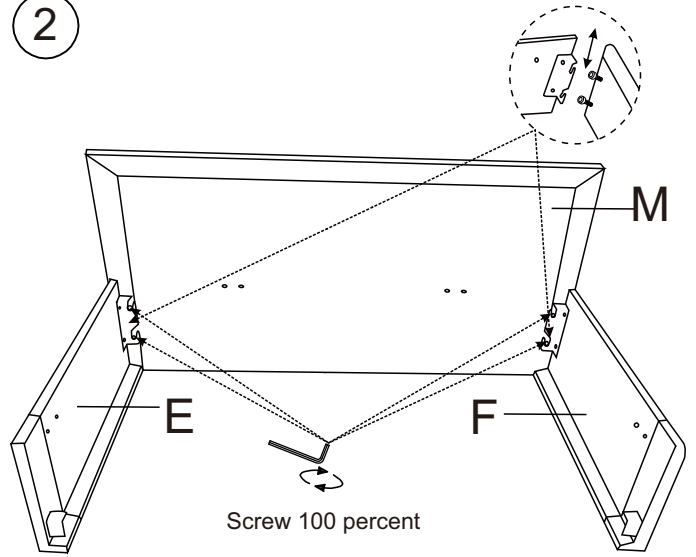
Sofa Bed Instructions

1

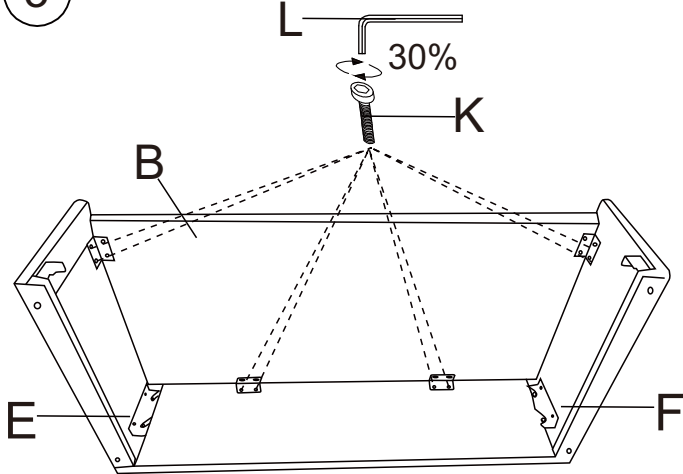
Screw 30 percent



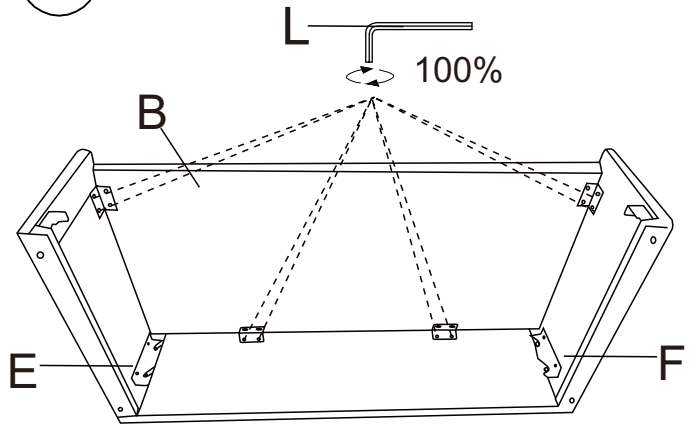
2



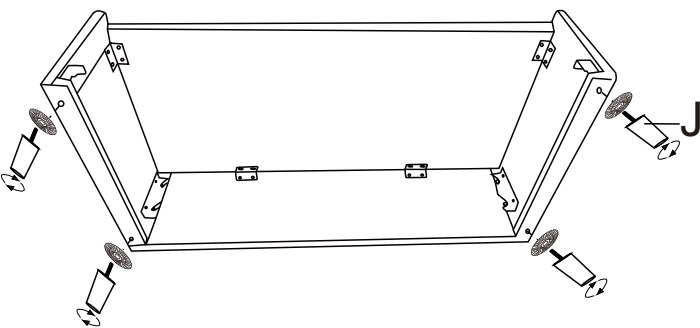
3



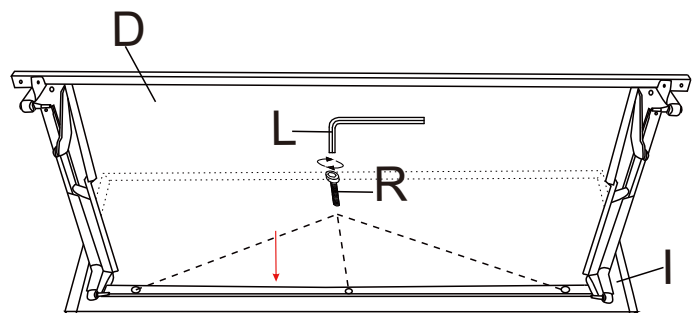
4



5



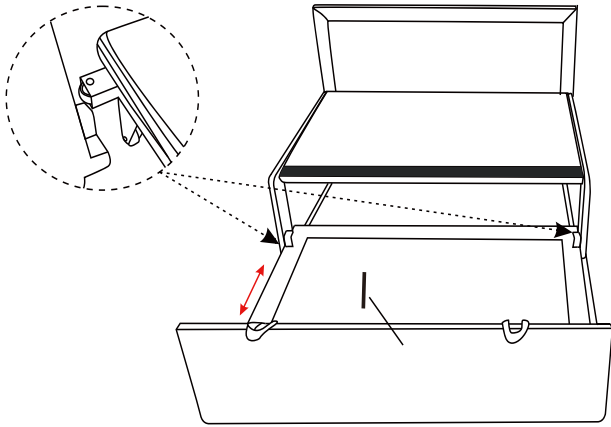
6



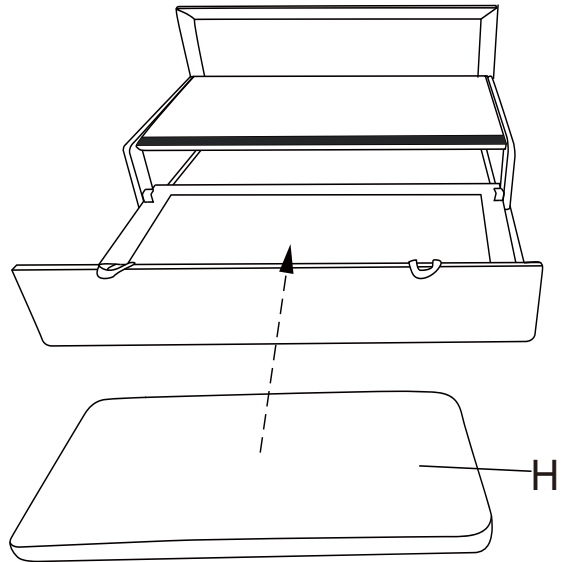
Sofa bed instructions

7

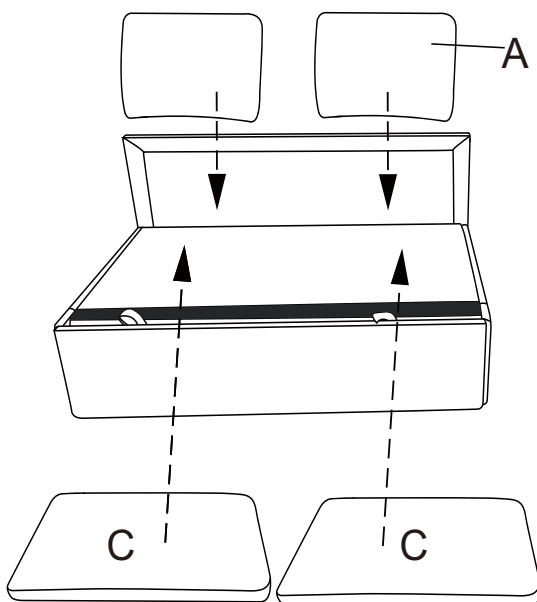
Lift the bed up a little and push it in



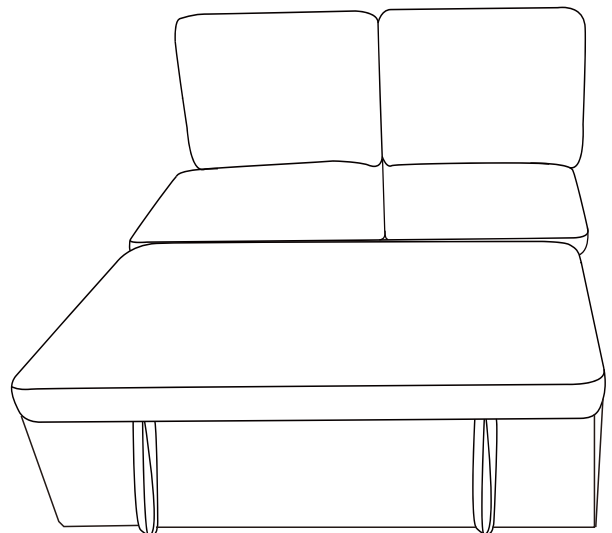
8



9

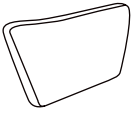
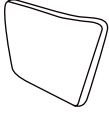

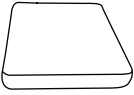
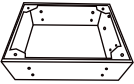
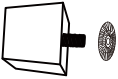


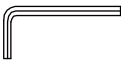
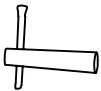


10



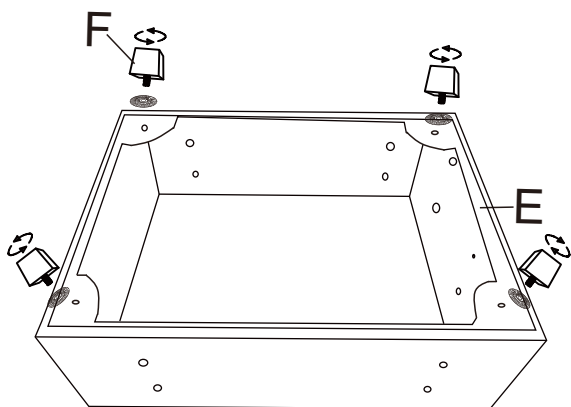
Single Seat Assembly Notes

Parts List

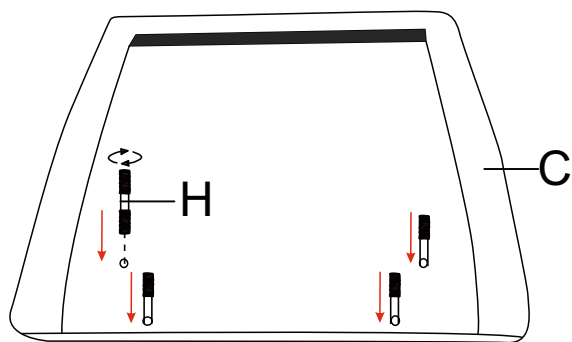
A	Blue		Satchel	1
B	Blue		Back cushion	1
C	Blue		Back armrest	2
D	Blue		Cushion	1
E	Blue		Seat	1
F	Blue		Foot	4
G	Blue		Screw	4
H	Blue		Screw	8
I	Blue		Wrench	1
J	Blue		Wrench	1

Angle Mounting Instructions

1

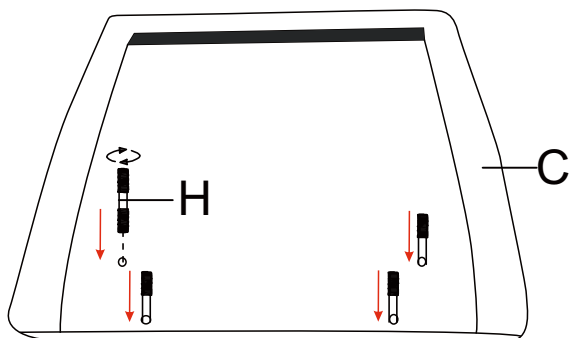


2



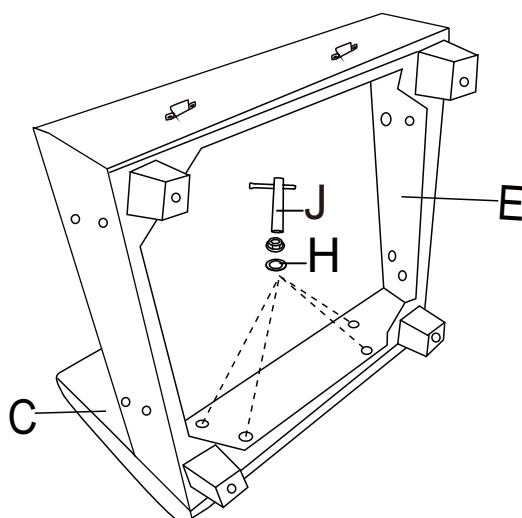
Twist until there are no threads (the first piece)

3



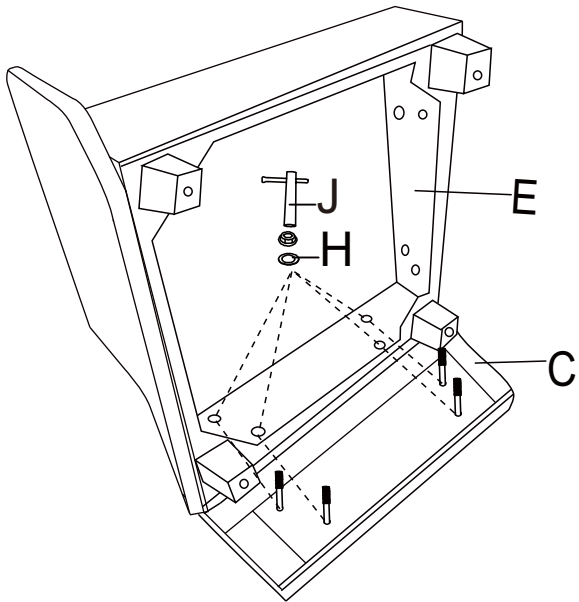
Twist until there are no threads (the second piece)

4

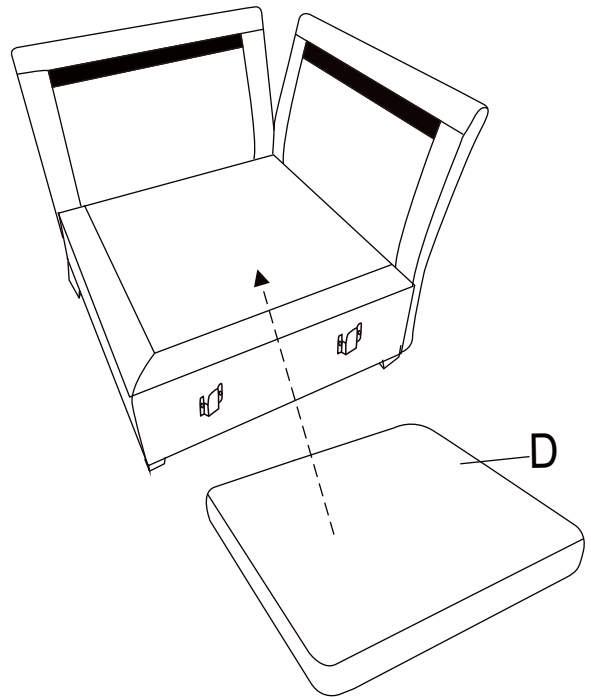


Angle Mounting Instructions

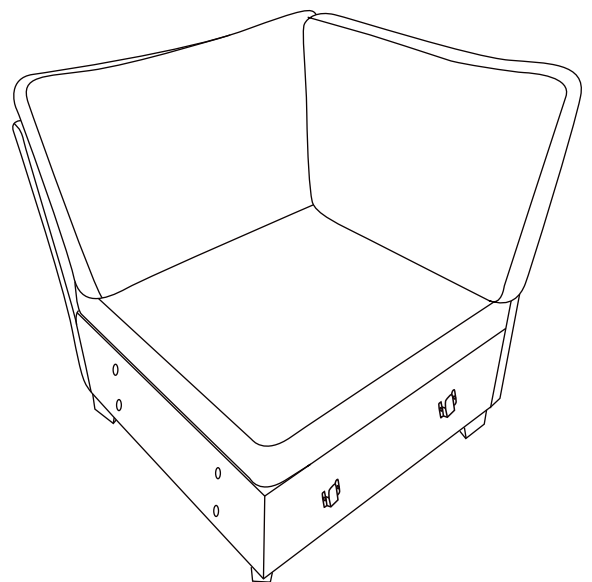
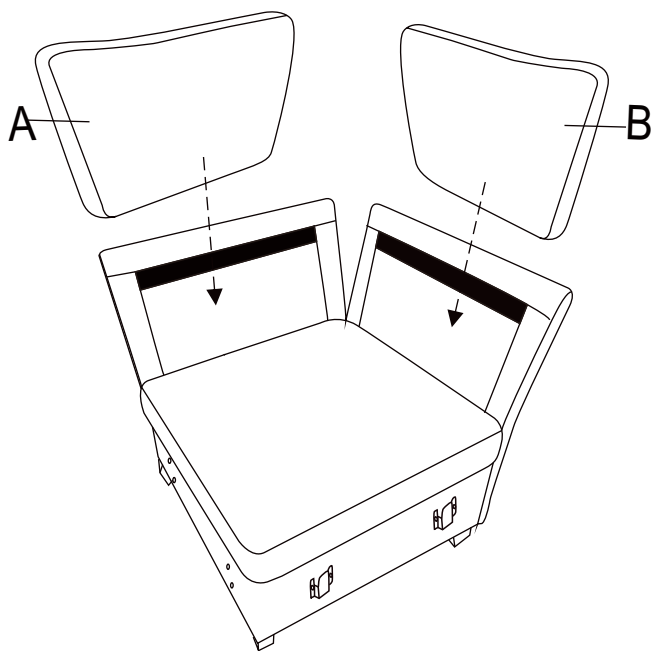
5



6

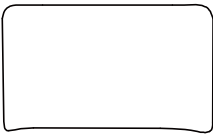
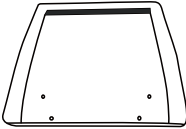
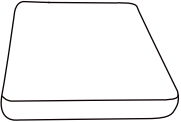
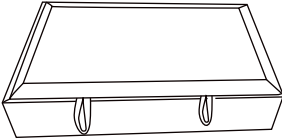

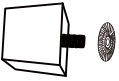

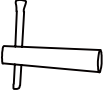




7



Double Seater Instructions

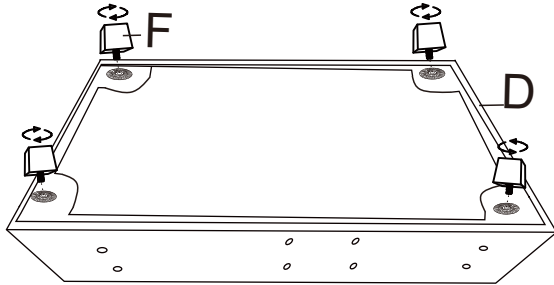
Parts List

A	White		Back cushion	2
B	White		Back armrest	2
C	White		Cushion	2
D	White		Seat	1
O	White		Arm	1
F	White		Foot	4
G	White		Screw	12
H	White		Wrench	1
I	White		Screw cap	12
Q	White		Arm bag	1

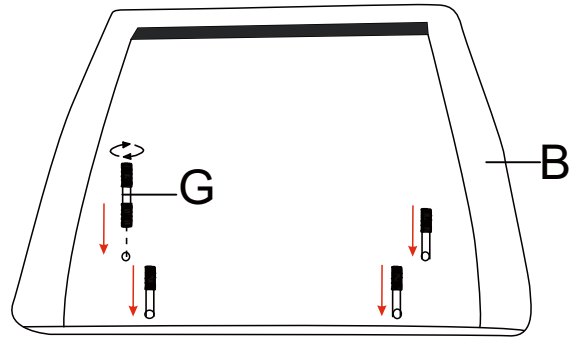
Note: Parts come from different packages.

Two-Seat Mounting Steps

1

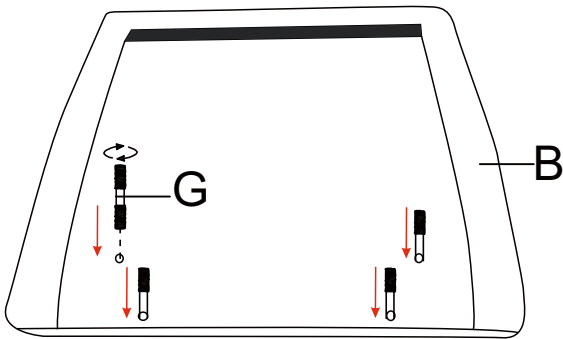


2



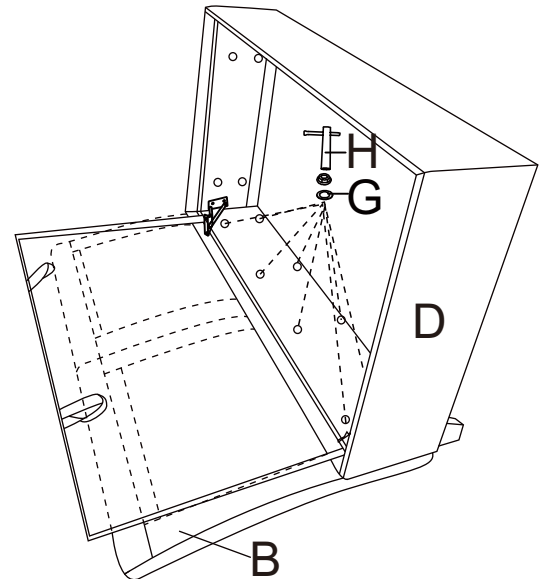
Twist until there are no threads (the first piece)

3

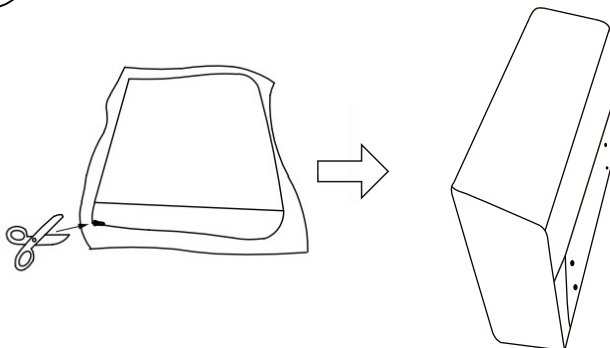


Twist until there are no threads (the second piece)

4

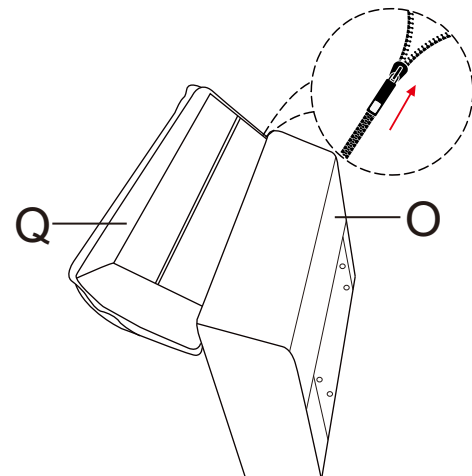


5



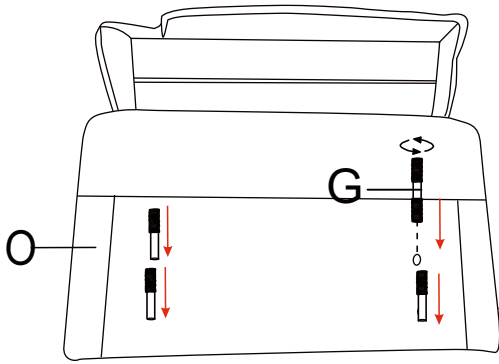
Cut open the bag, allow the armrest to retract naturally, and gently tap the sponge to facilitate its restoration.

6



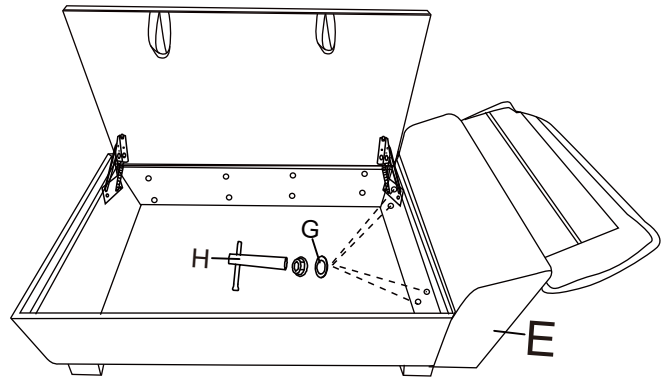
Two-Seat Mounting Steps

7

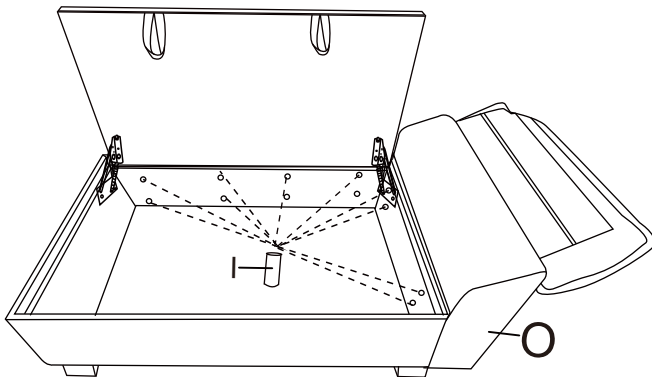


Twist until there are no threads

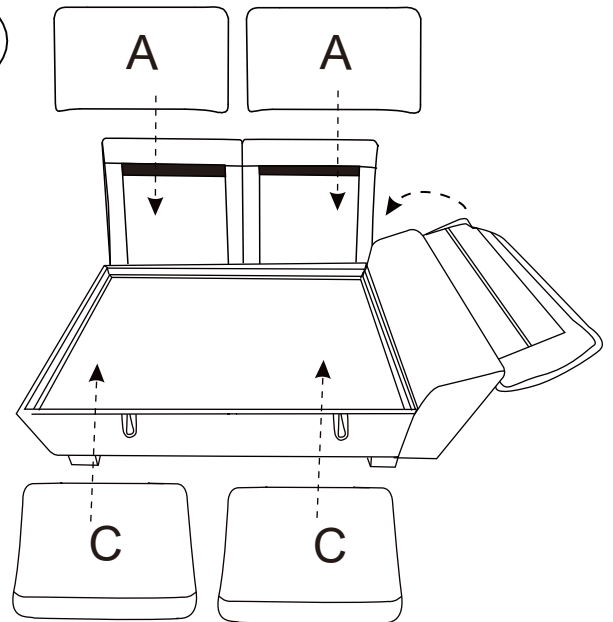
8



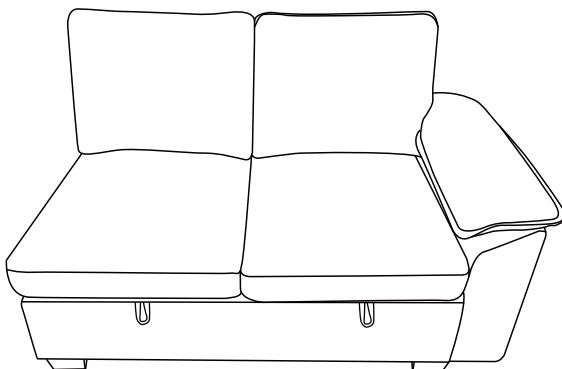
9



10


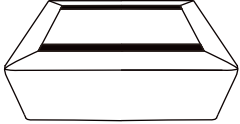
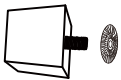


11

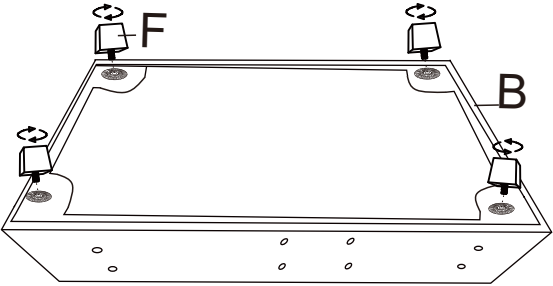


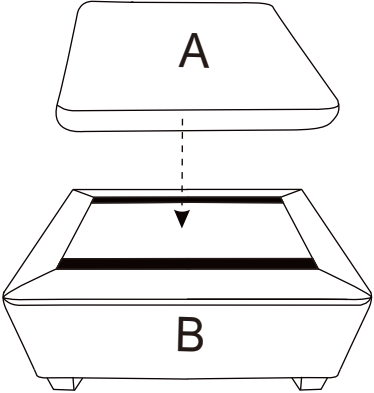
Ottoman Instructions

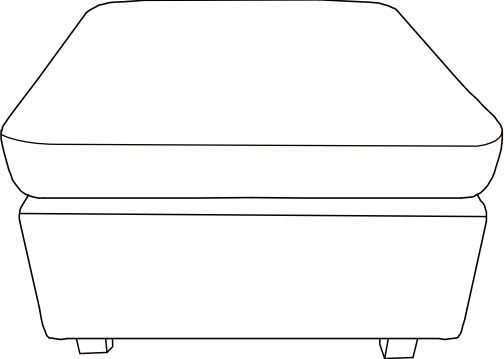
Parts List

A	Purple		Cushion	1
B	Purple		Seat	1
F	Purple		Foot	4

Pedal Mounting Instructions

1 

2 

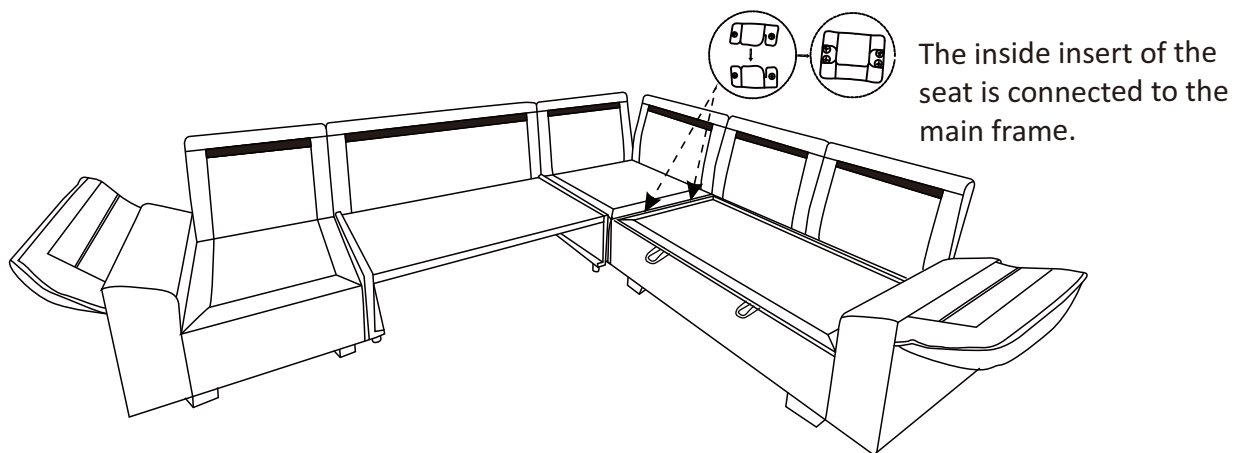
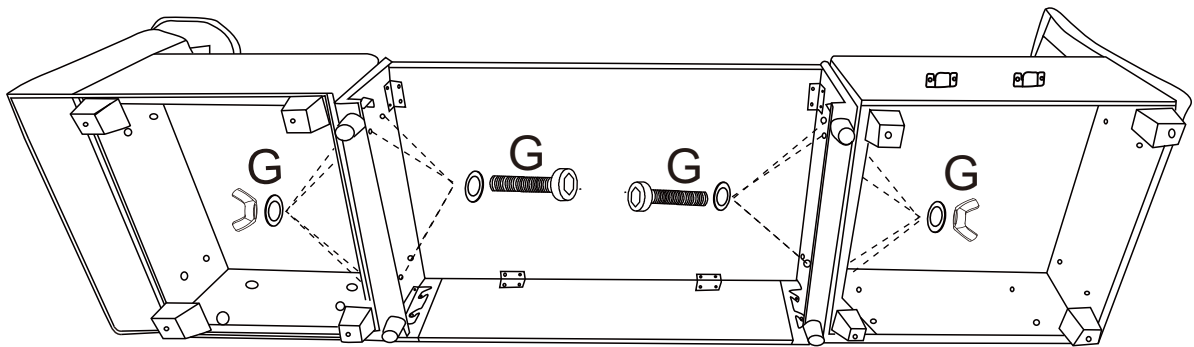
3 

Combination Instructions

Fixed Seat Mode - Combination Method 1

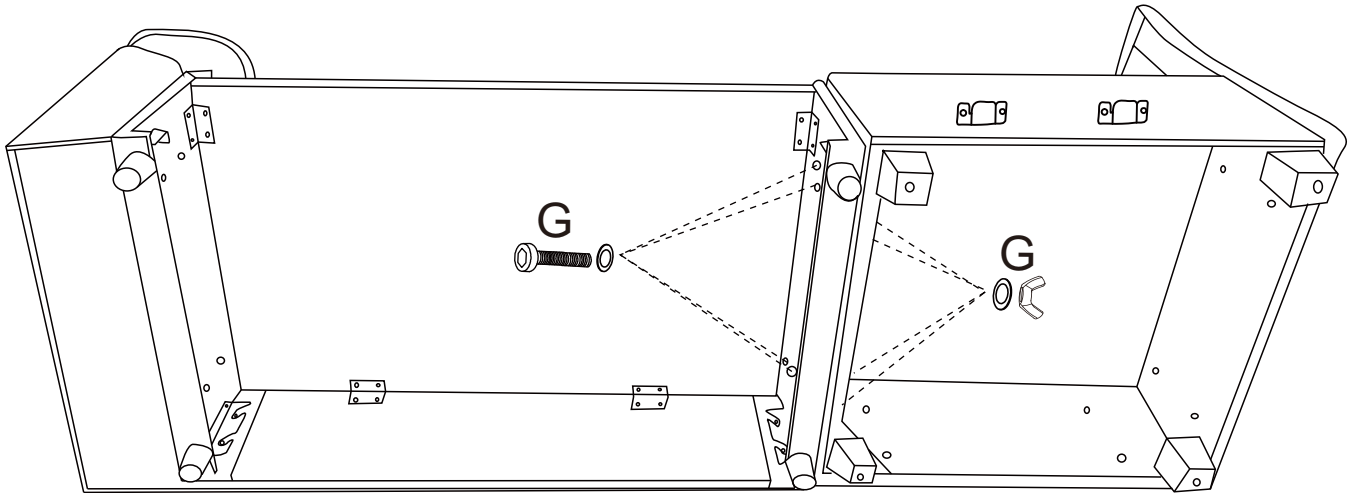
For optimal safety and performance, please ensure the mechanism is securely fastened to a stationary sofa.

Warning: Protruding screws toward the pull-out bed section may cause damage to your sofa.

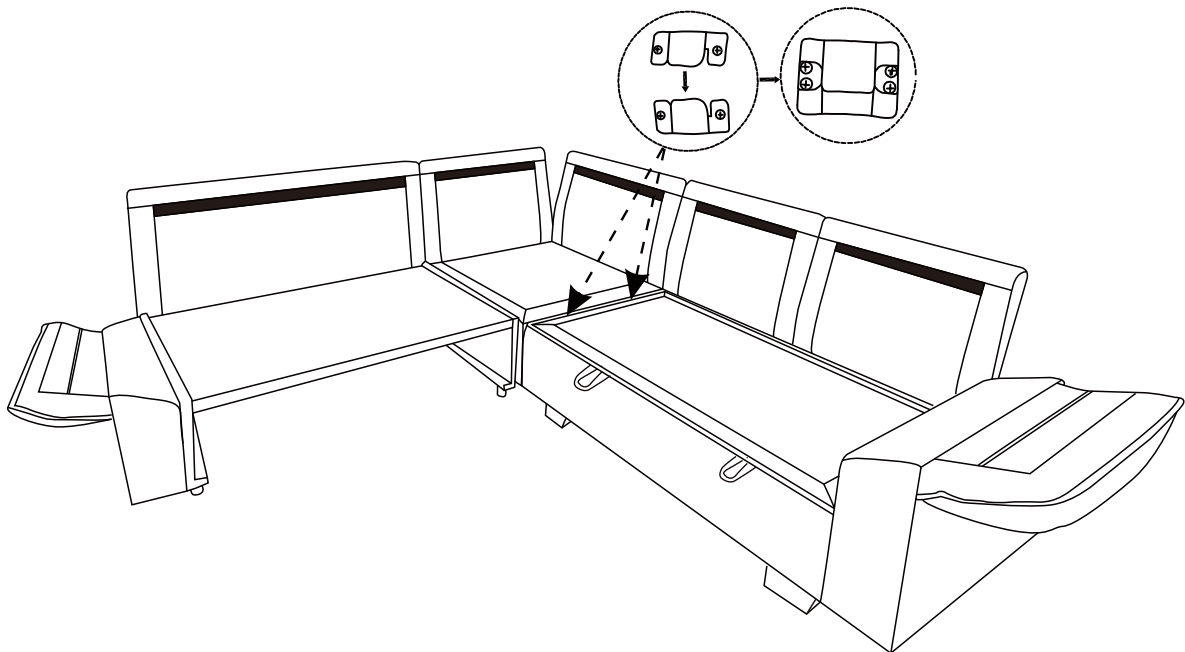


Combination Instructions

Fixed Seat Mode - Combination Method 2



The inside insert of the seat is connected to the main frame.



Combination Mode Display

Diagrams showing various configuration options (Model 1, Model 2, etc.).

