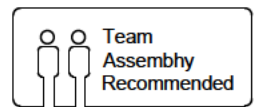
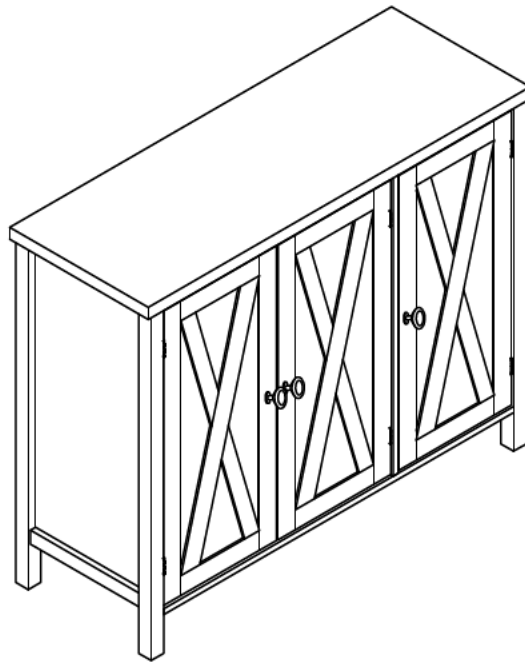


Assembly instruction



Trouble shooting:

Missing/Wrong /Broken parts and installation issues



Send email with your question pic, order NO. and screenshot of order details to:



Respond within 24 hours



Issue resolved

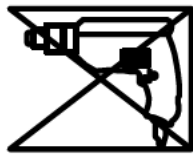
Tips!



1. Check all the components & screws are intact before assembling .
2. If you notice any pieces are missing or damaged please do not assemble and contact us immediately .
3. Please send an email with you order number and issues, we will respond within 24 hours.

Tools required

A Phillips head screw driver is required for the assembly of this product. (not included)
Electric tool should not be used to assemble this product.



Two people are needed



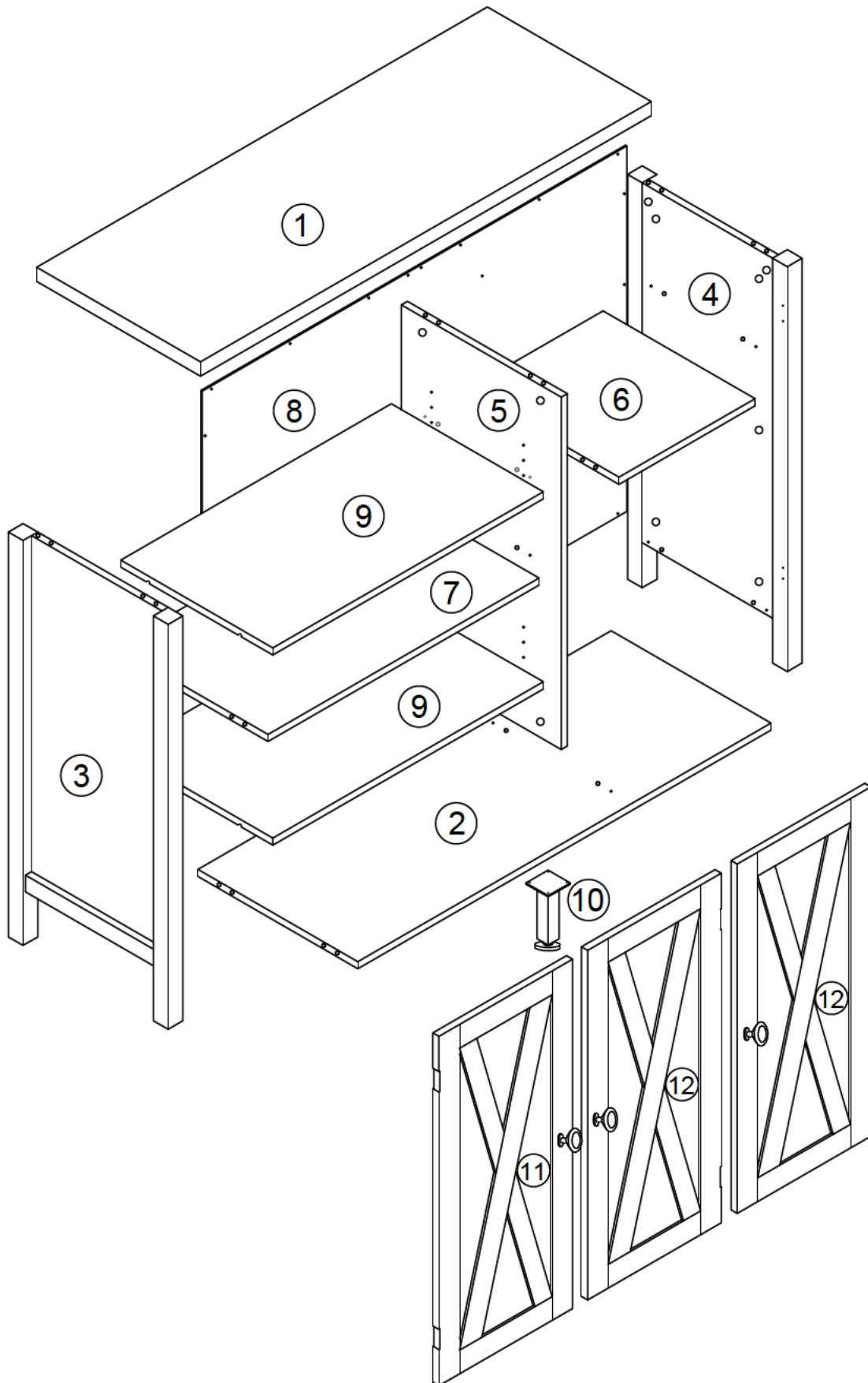
IMPORTANT SAFETY INFORMATION

- Please carefully read the following instructions and caution warnings before assembling the product.
- Following this guide will ensure that you install, use and maintain the product properly.
- Please keep this installation and user manual/instructions for future reference in case you need to disassemble the product.
- Never allow children to climb onto the product. Ensure that you have special safety measures when children are around on their own.
- Be sure to check that all parts of the product are intact after you open the package.
- Do not assemble if you notice serious damage such as cracks or bends.
- During installation, please use work gloves for hand safety.
- Please assemble the unit on carpeted floor or the flat cardboard box to avoid scratching the surface or your floor while assembling on the floor.
- To assemble, please use the complimentary installation tools (Phillips screwdriver). Pay more attention to the direction of components at each steps.
- It is recommended that two people work together to assemble the product.

RETURN POLICY

- Please contact us directly within 30 days after receiving.
- Ensure the product is in a good condition with the original box and all original certificates of purchase, manuals, and accessories attached.

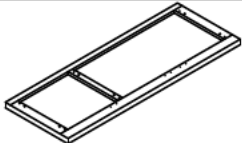

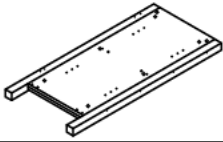
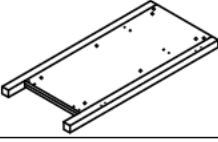
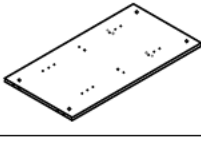
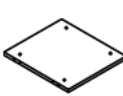
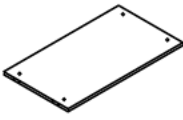
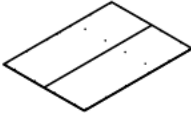


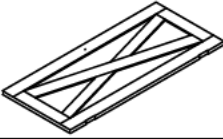
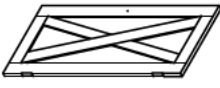
Please check that you have all the parts listed below
















Note: Don't tighten all screws during installation.

HARDWARE LIST

Components:

	① X1
	② X1
	③ X1
	④ X1
	⑤ X1
	⑥ X1
	⑦ X1
	⑧ X1
	⑨ X2
	⑩ X1
	⑪ X1
	⑫ X2

Screws & Tools:

(A)		ø8*40mm	20+1pcs
(B)		ø15x9 mm	20+1pcs
(C)		ø8x30 mm	20+1pcs
(D)			6pcs
(E)		ø3x14 mm	46+1pcs
(M)			3pcs
(N)			3pcs
(O)			8+1pcs
(L)		ø4x14 mm	22+1pcs
(I)			2pcs
(S)		ø5x18 mm	3pcs
(R)			3pcs
(P)			1pcs

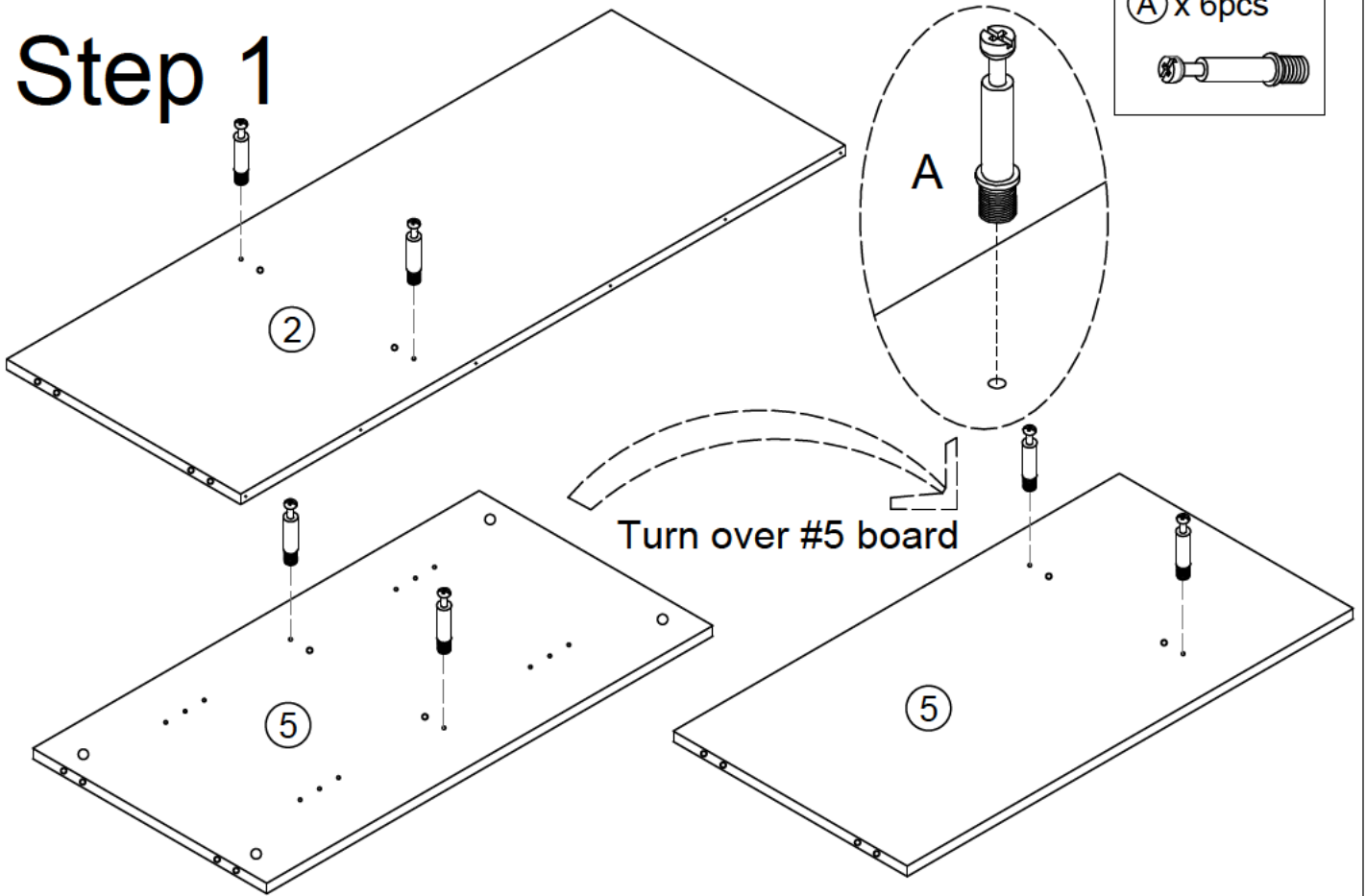
Check all the components & screws before assembly.

Do not install in case part is missing, contact us to get.

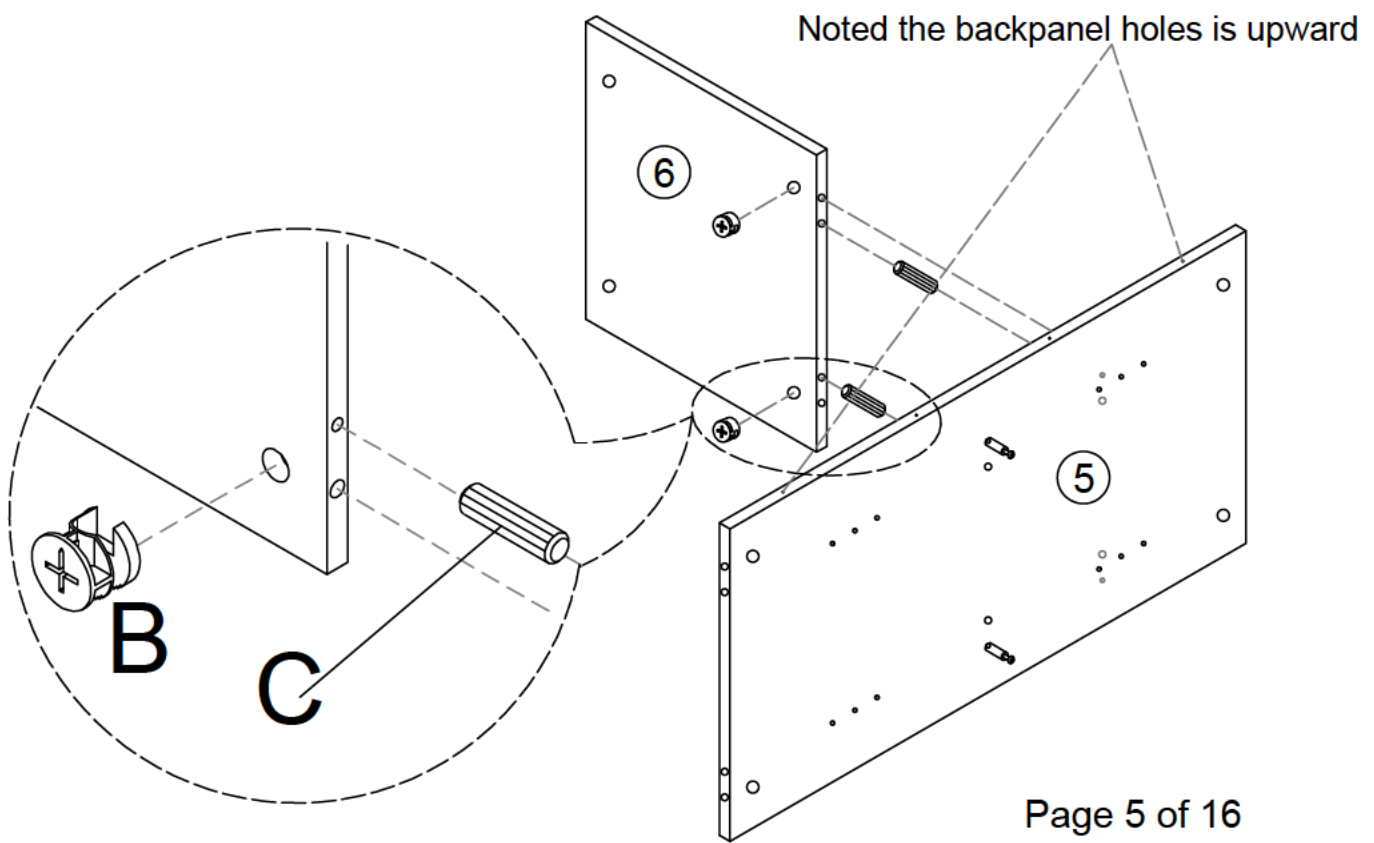
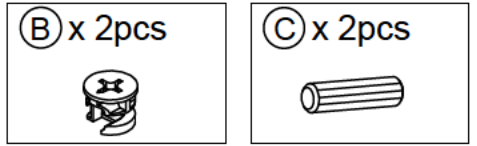
Send email with your question to support@idealhouse.vip.

We will resend within 24 hours.


Step 1




Step 2

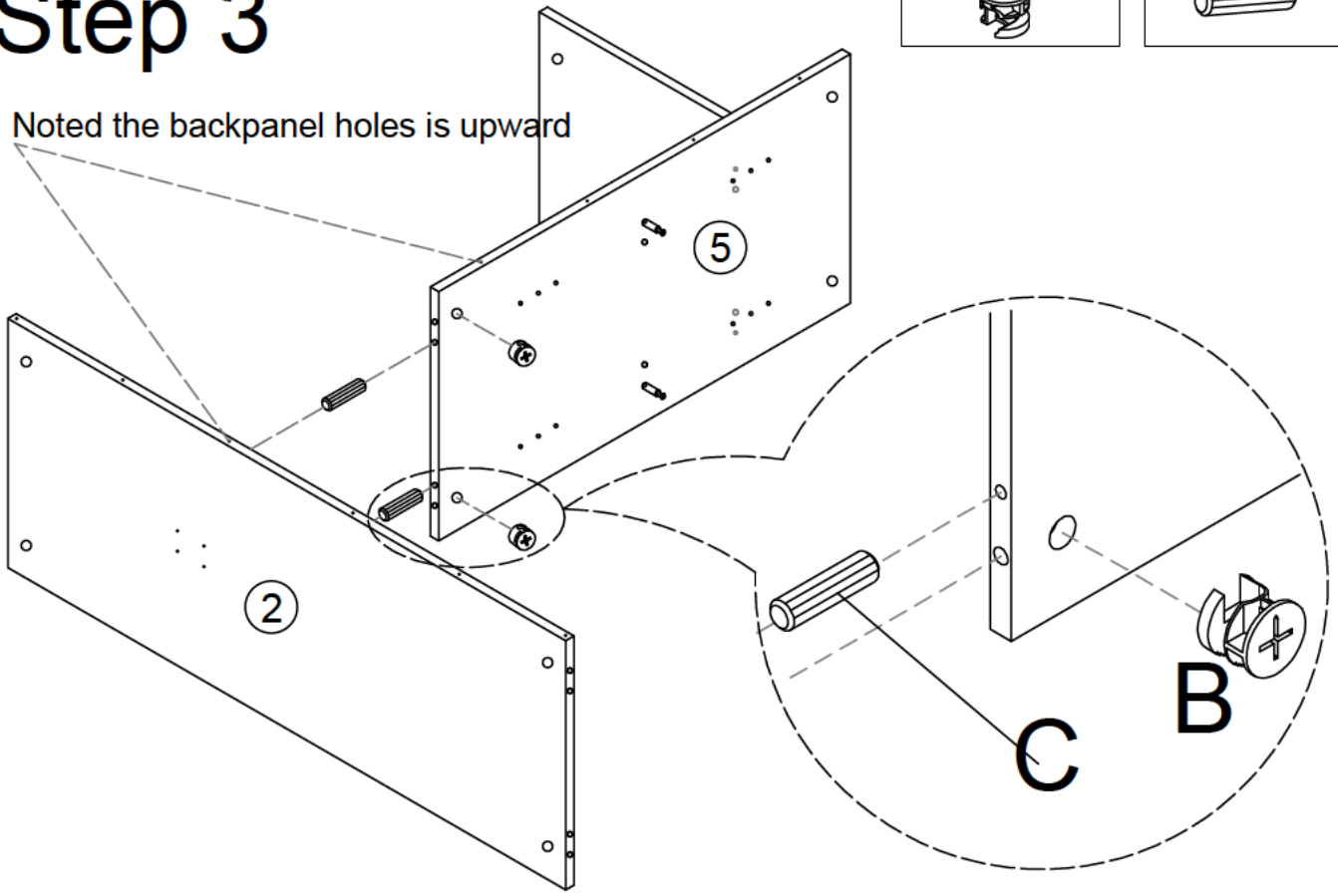


Step 3

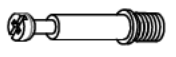
(B) x 2pcs


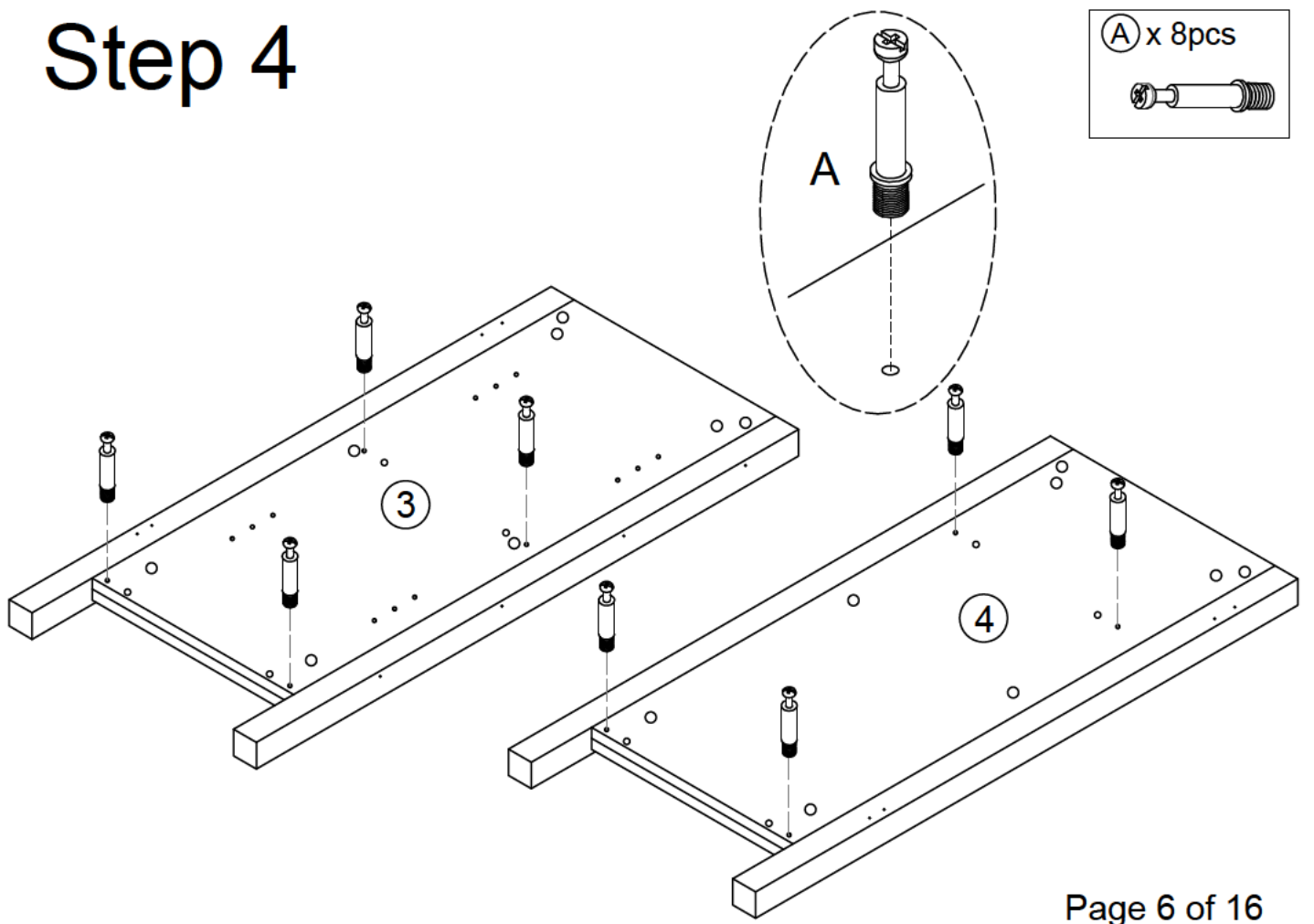
(C) x 2pcs


Noted the backpanel holes is upward




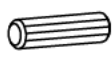
Step 4

(A) x 8pcs


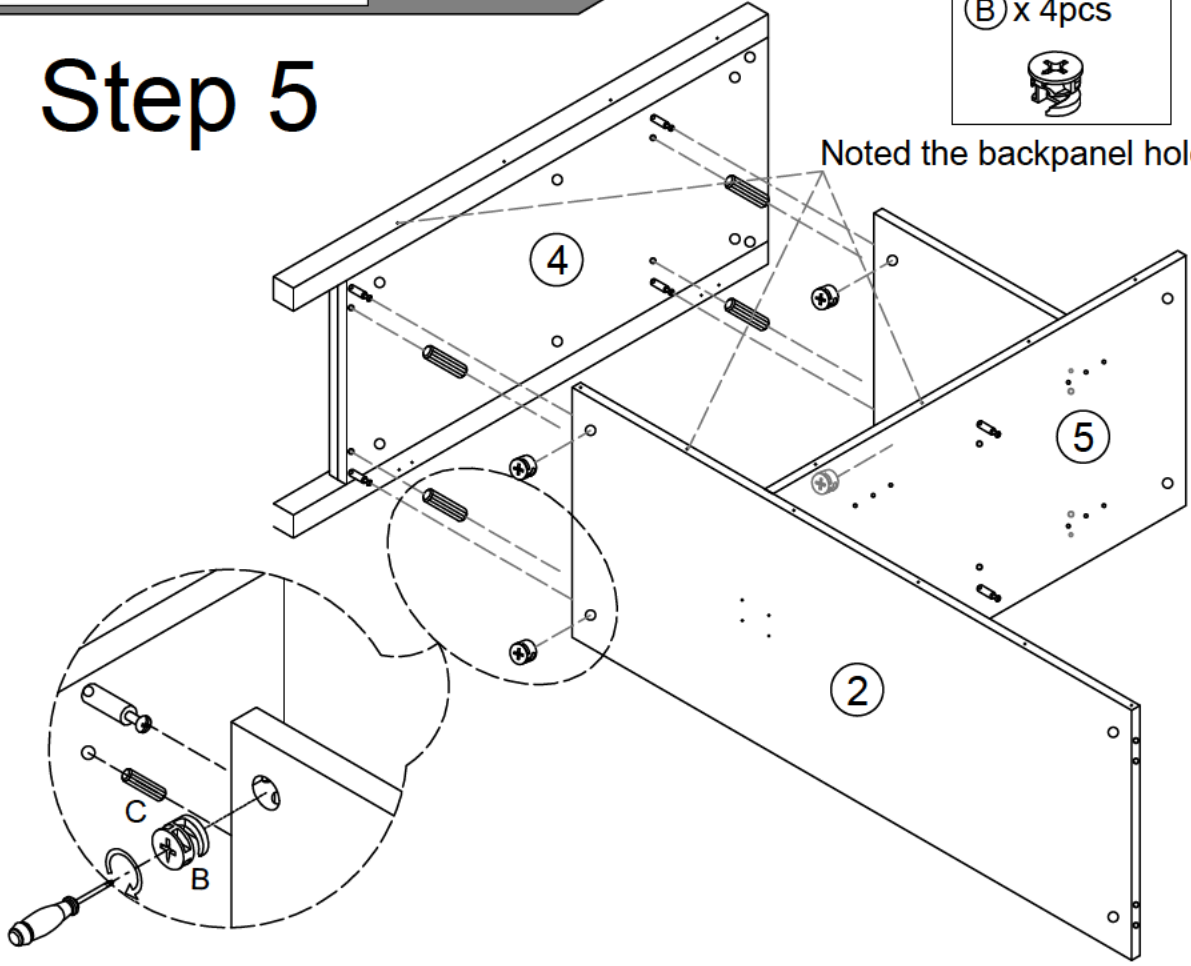


Step 5


(B) x 4pcs


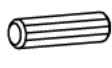
(C) x 4pcs


Noted the backpanel holes is upward

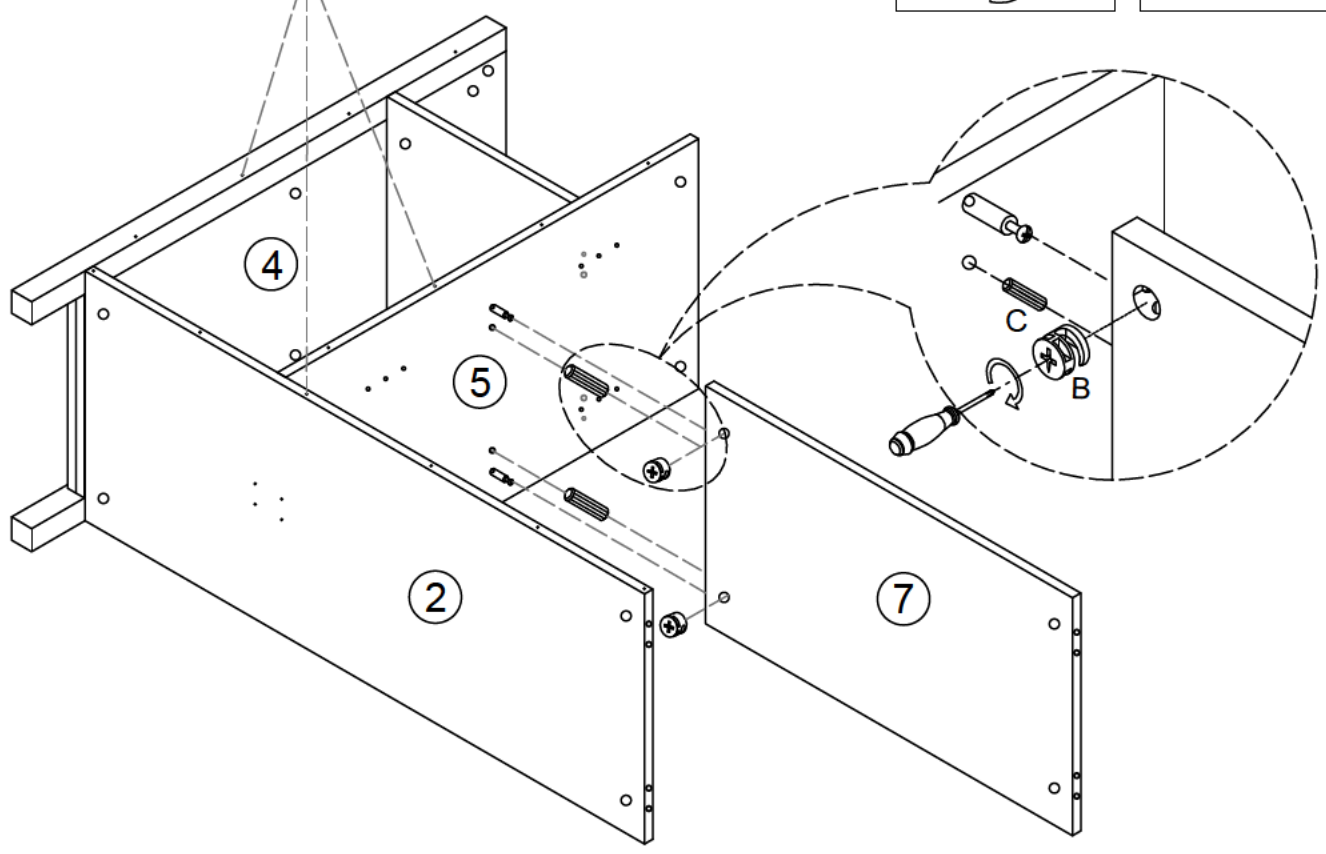


Step 6

(B) x 2pcs


(C) x 2pcs


Noted the backpanel holes is upward



Step 7

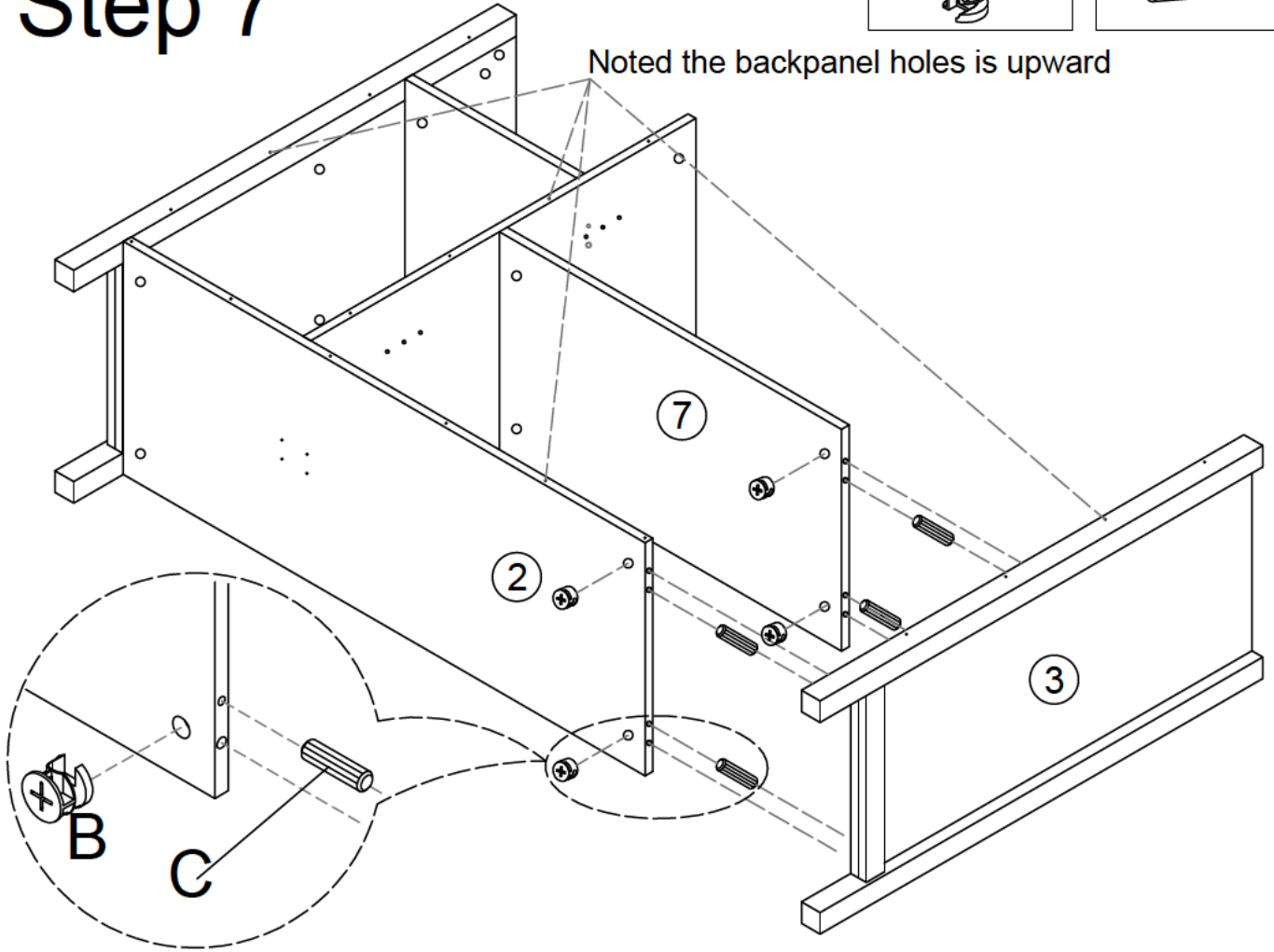
(B) x 4pcs



(C) x 4pcs



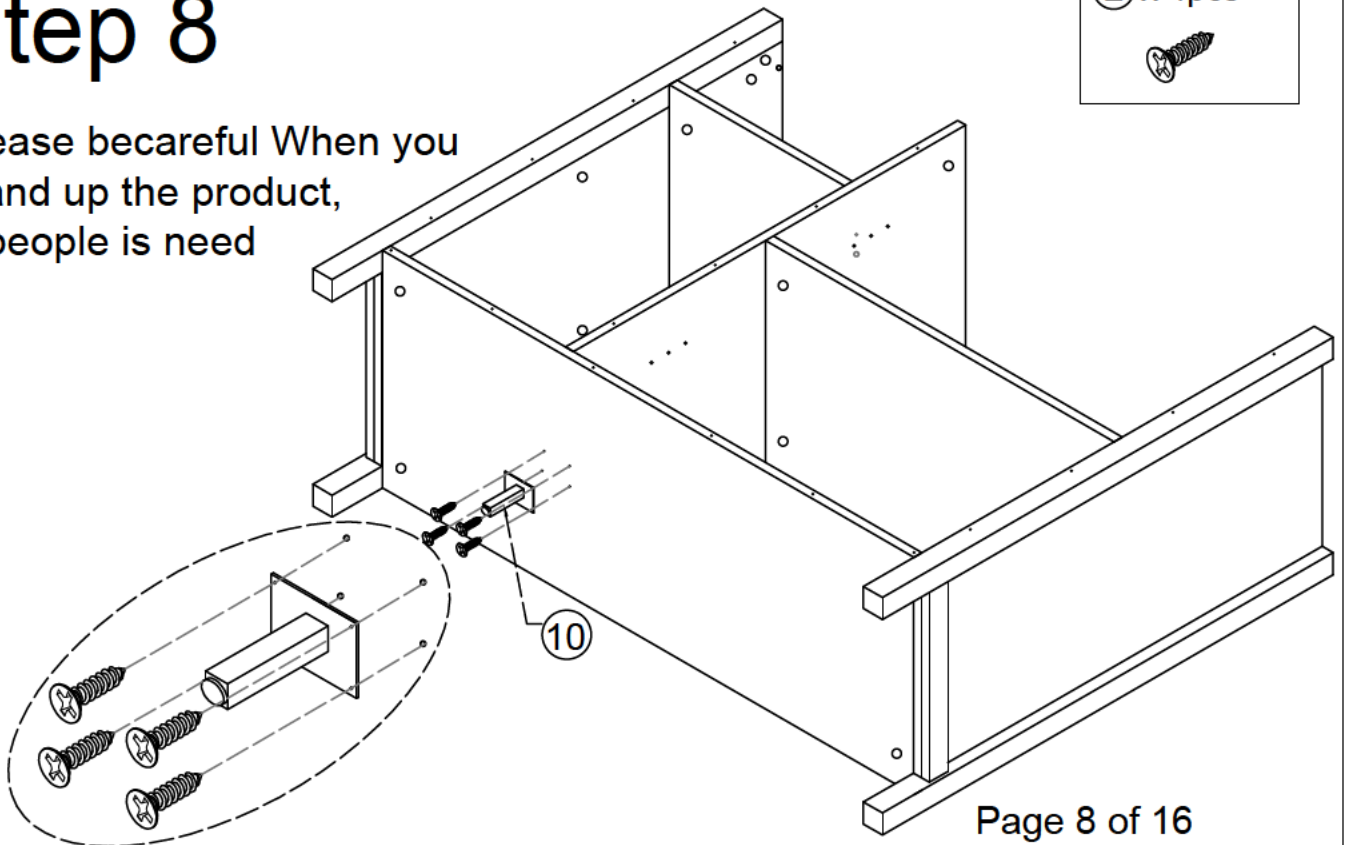
Noted the backpanel holes is upward



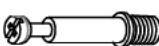
Step 8

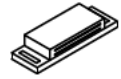
Please be careful When you stand up the product, 2 people is need


(E) x 4pcs

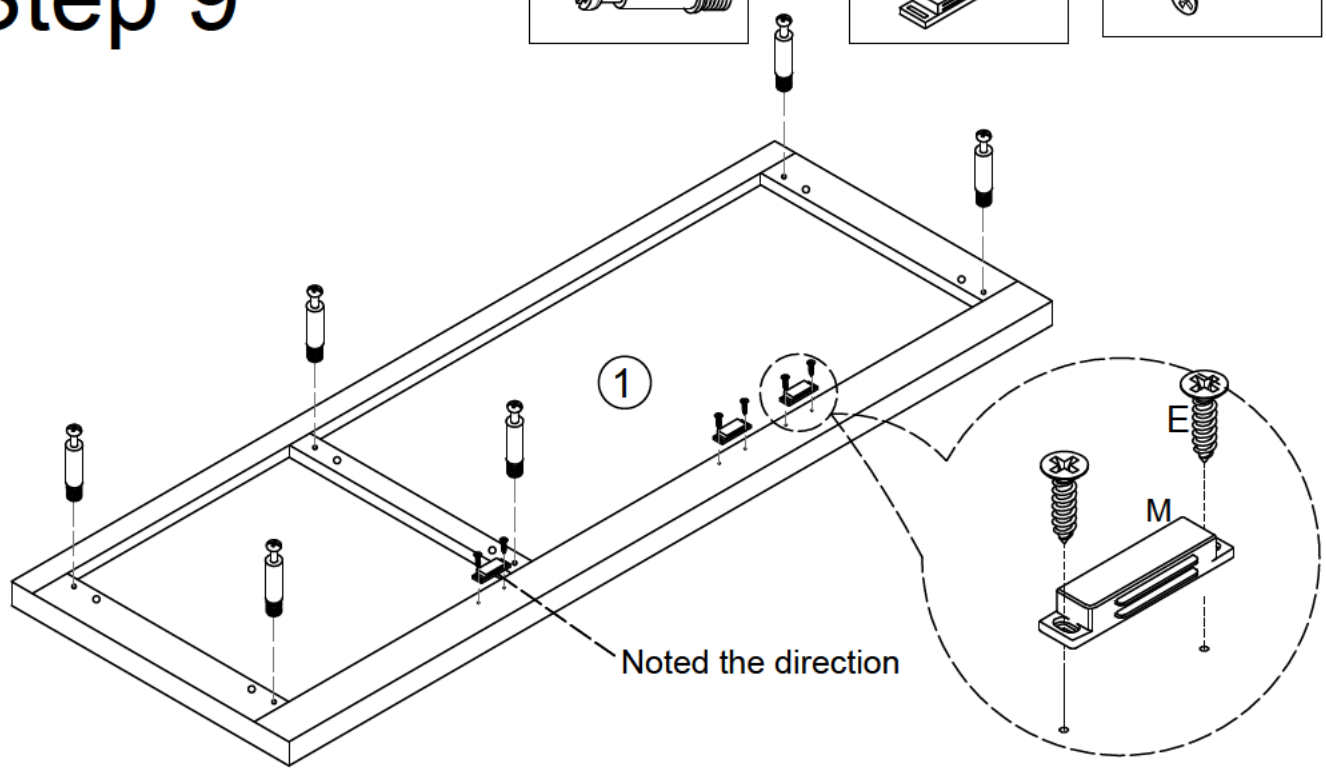


Step 9


(A) x 6pcs



(M) x 3pcs


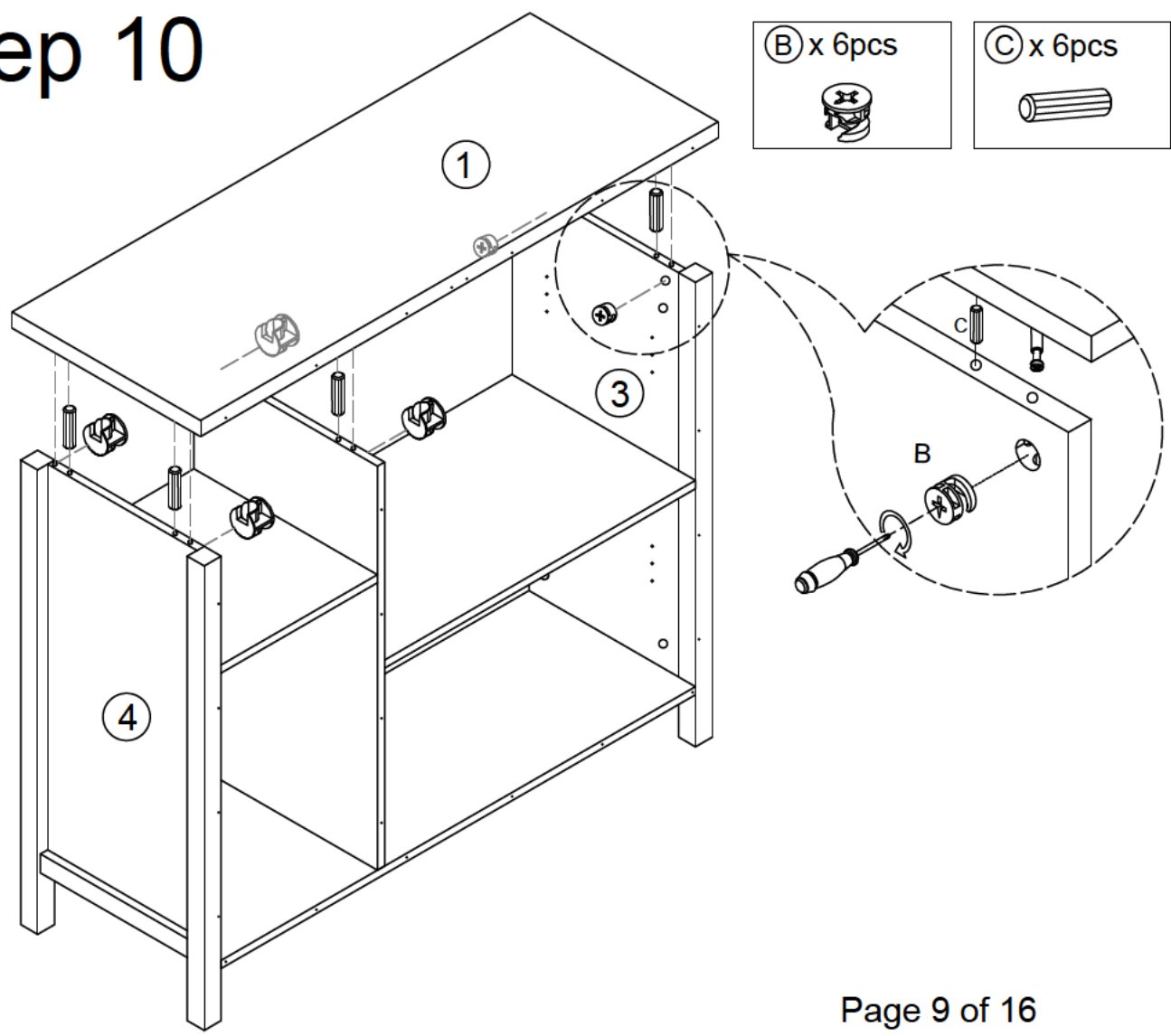
(E) x 6pcs




Step 10

(B) x 6pcs


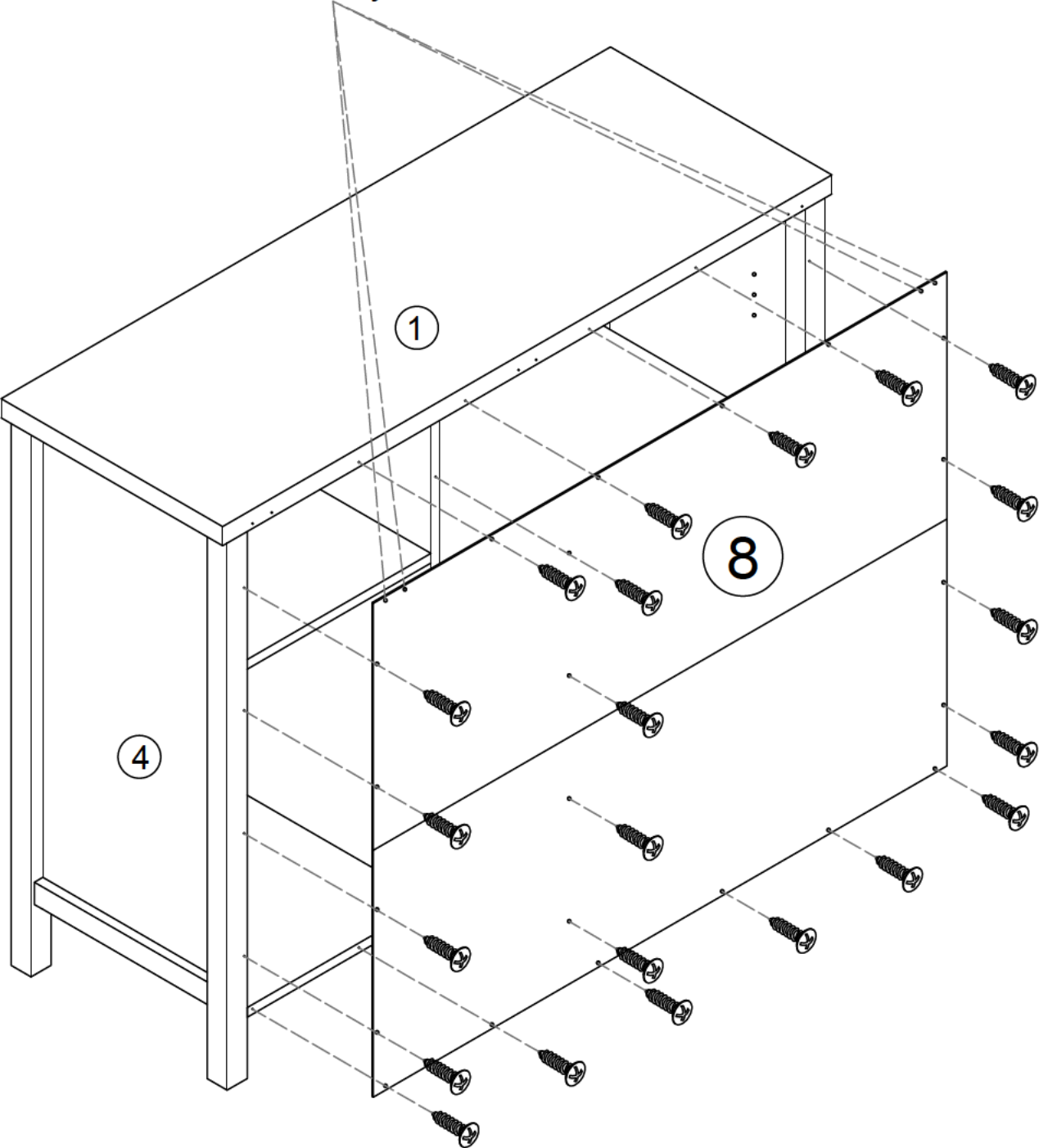
(C) x 6pcs






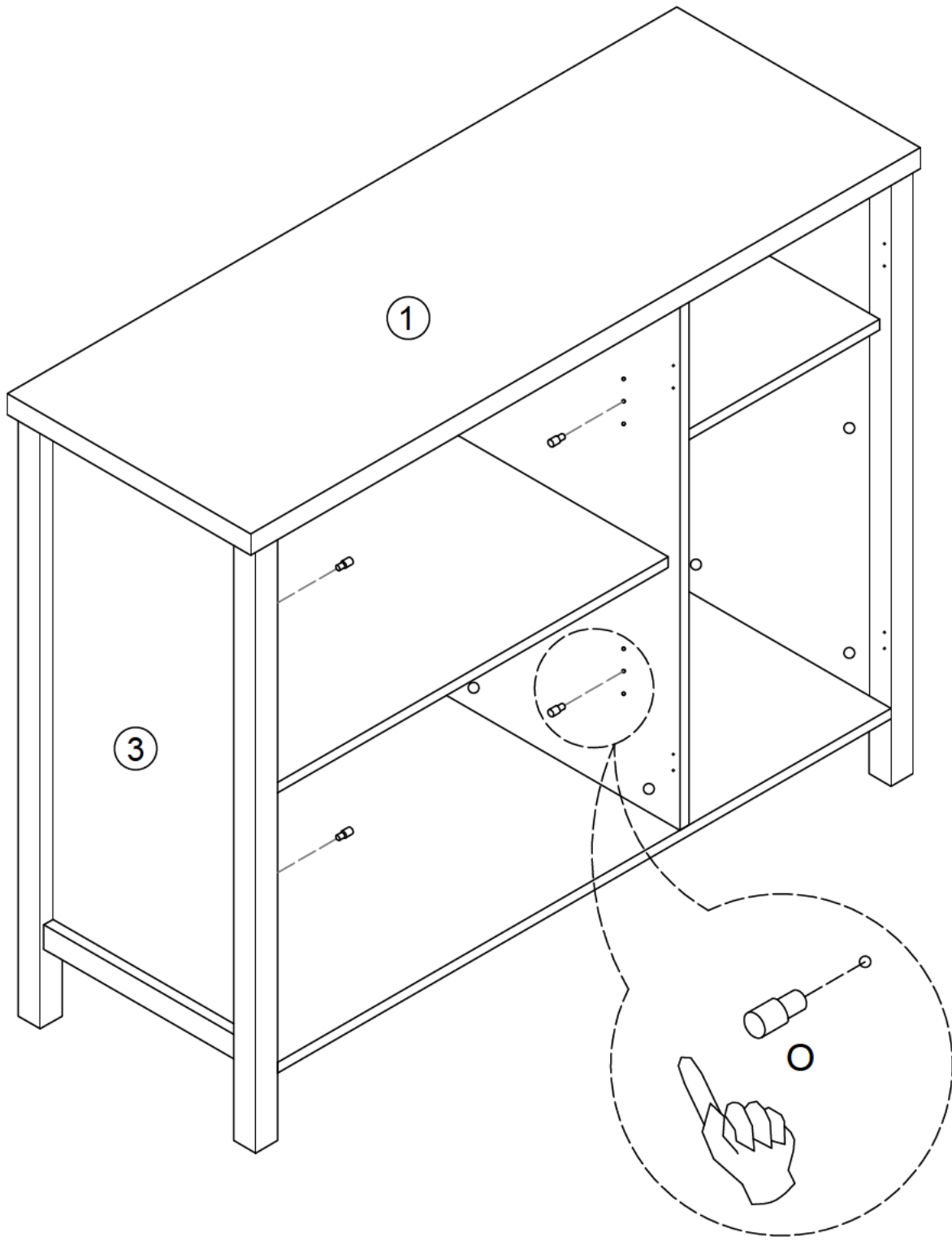

Step 11

Pay attention to hole location

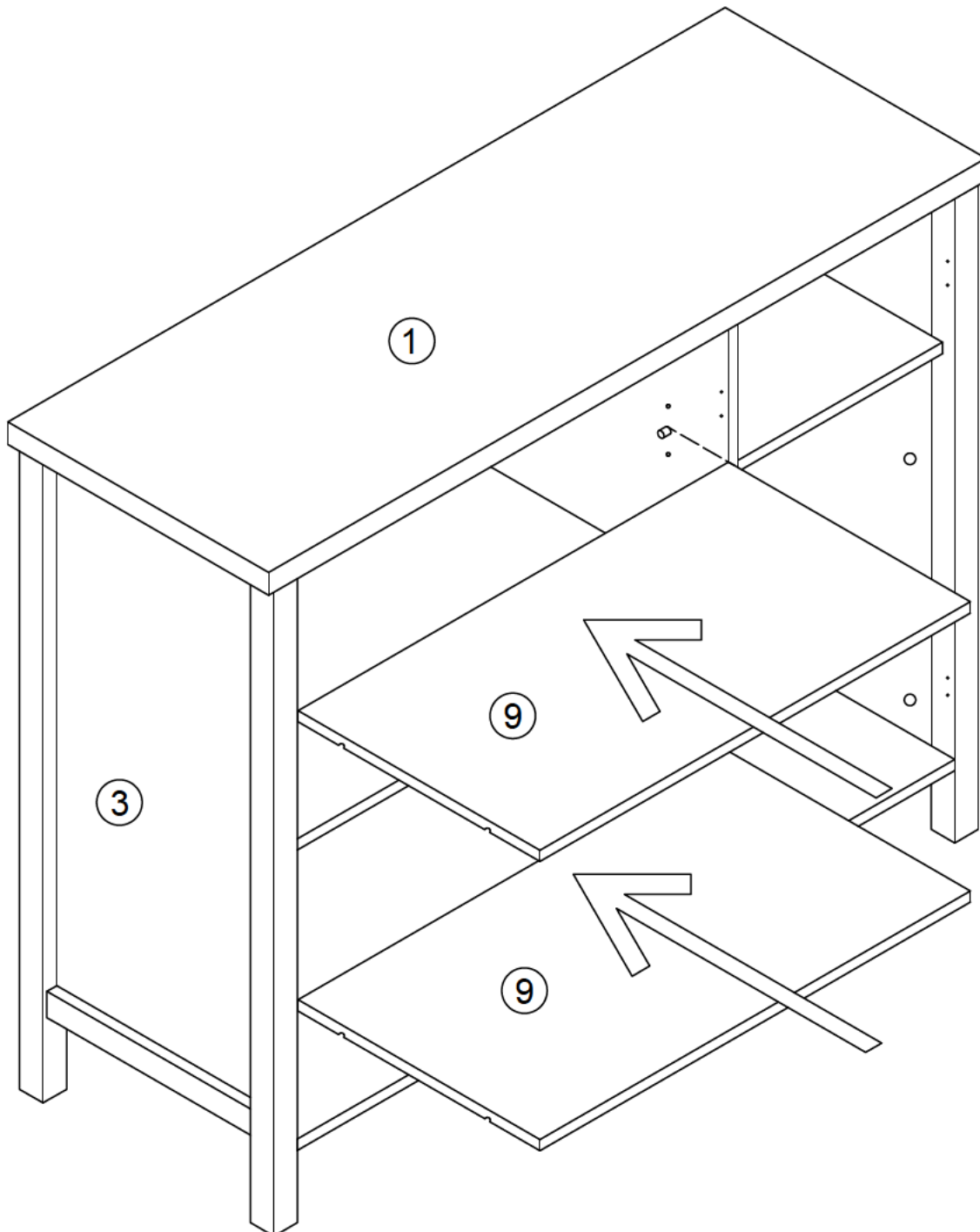


Step 12


○ x 8pcs





Step 13




Step 14

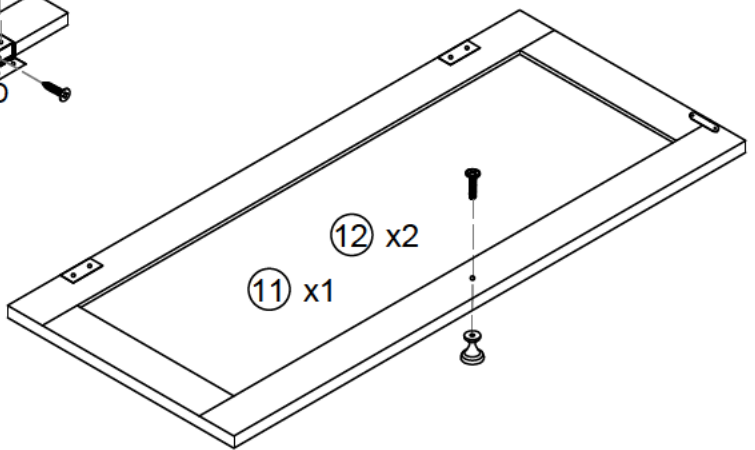
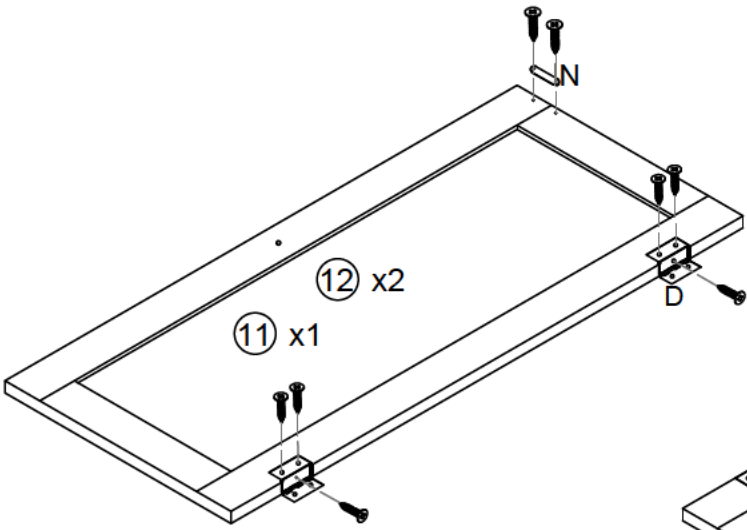
Ⓔ x 24pcs


Ⓗ x 3pcs



Ⓢ x 3pcs


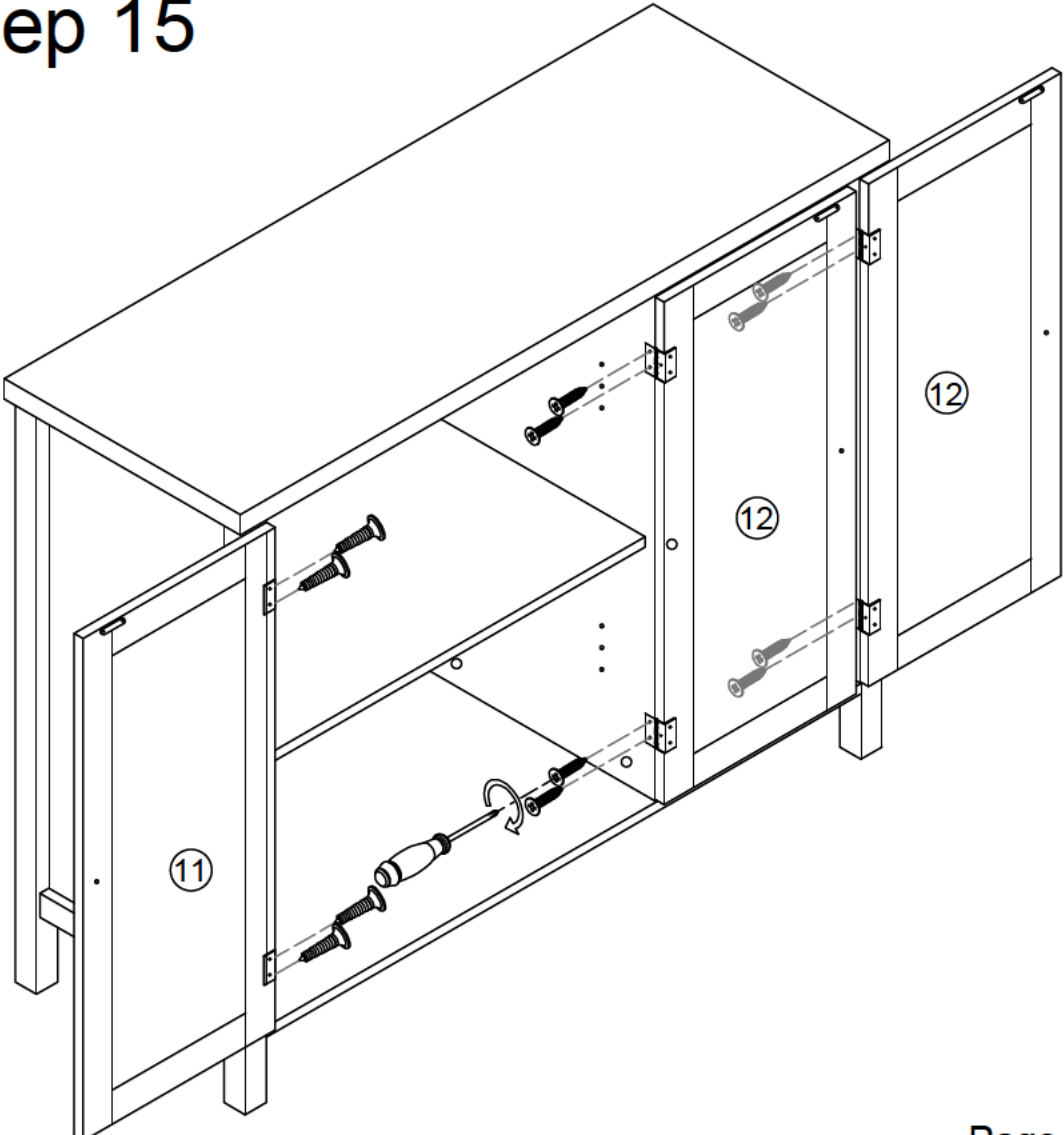
Ⓡ x 3pcs


ⓓ x 6pcs

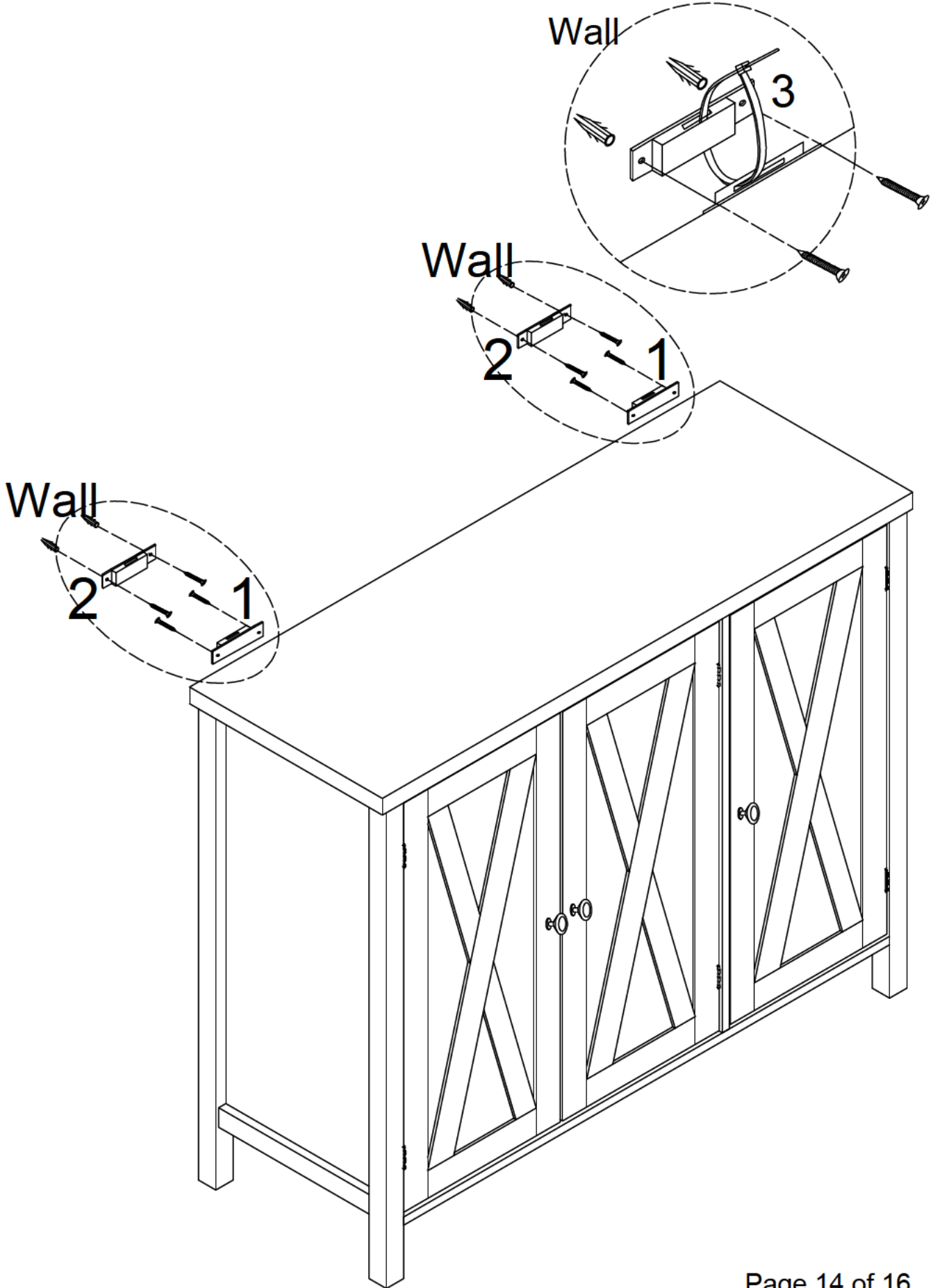

Step 15

Ⓔ x 12pcs




Step 16

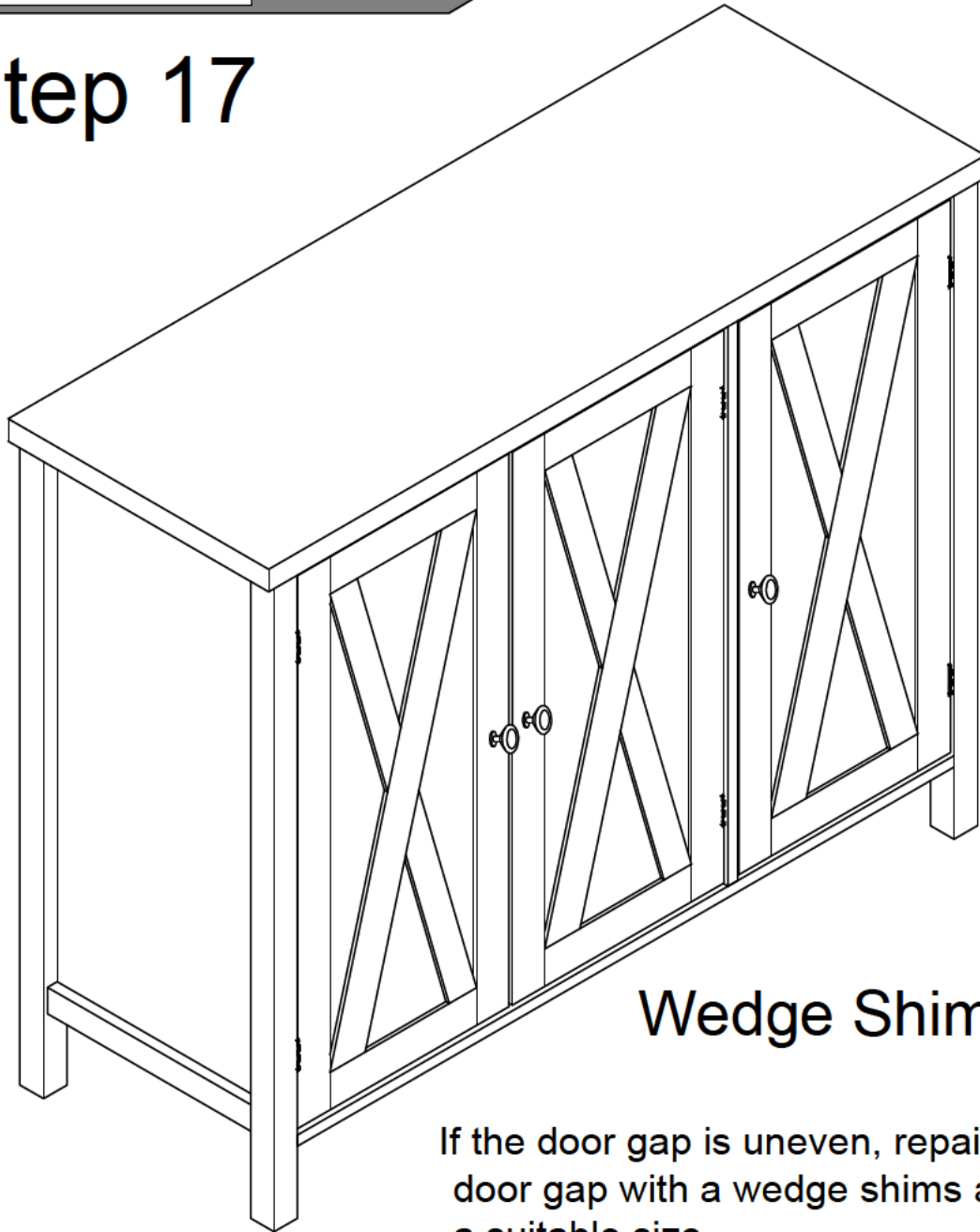
① x 2pcs



(P) x 1pcs

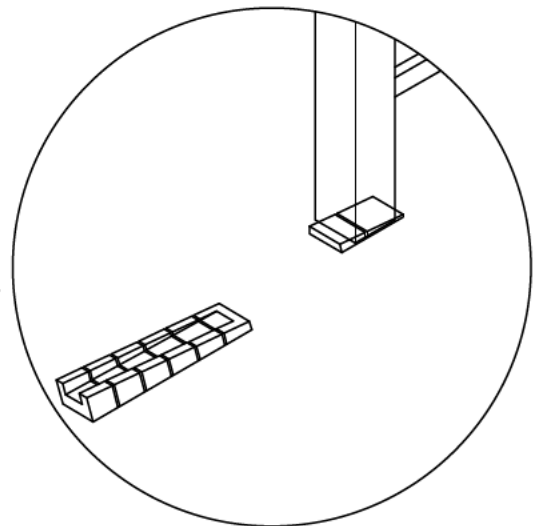
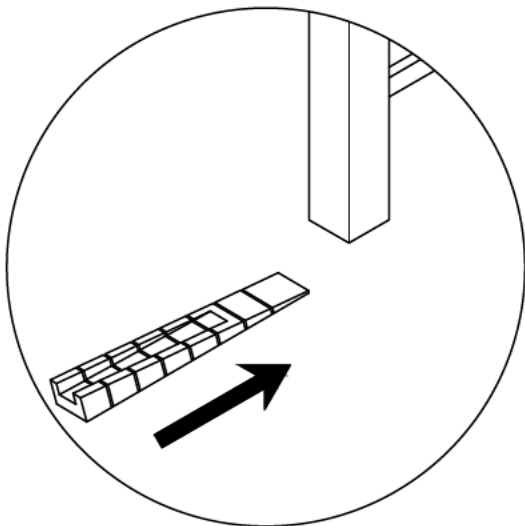
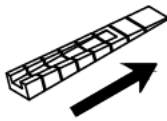


Step 17



Wedge Shims

If the door gap is uneven, repair the uneven door gap with a wedge shims and cut it to a suitable size.



Dear customer, thank you for purchasing Idealhouse products! We are proud to present our customers with high quality products!



If you have any product quality or use problems, please contact our customer service by email, we will ensure your satisfaction.



If you are satisfied with our products, please share your amazing experience with us and other customers! It would be our honor to hear from you!