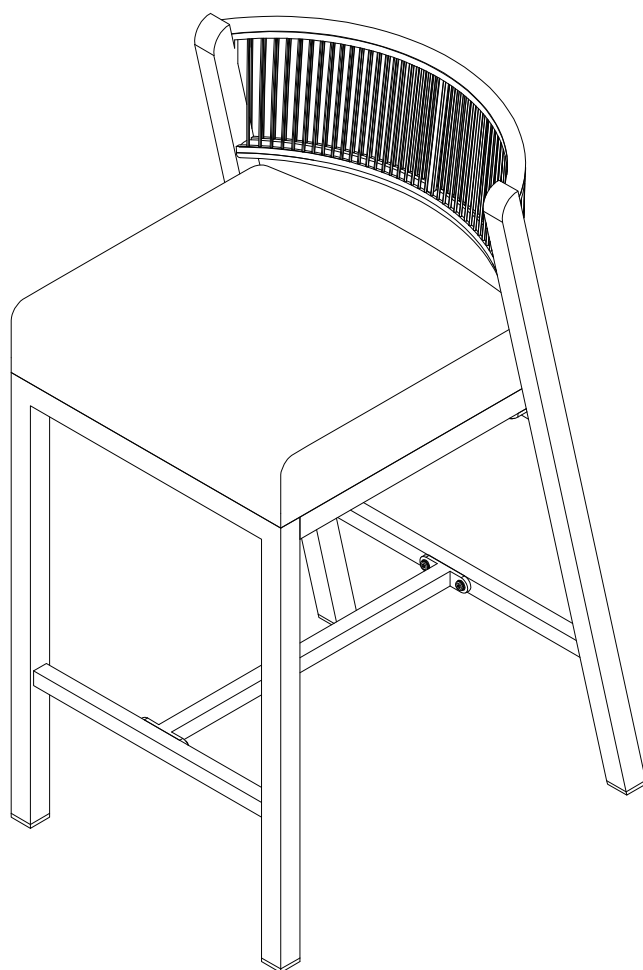
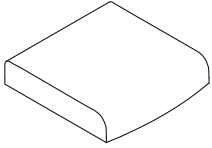
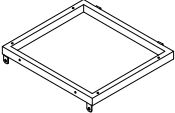
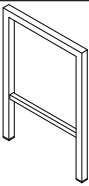
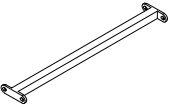
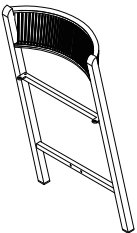






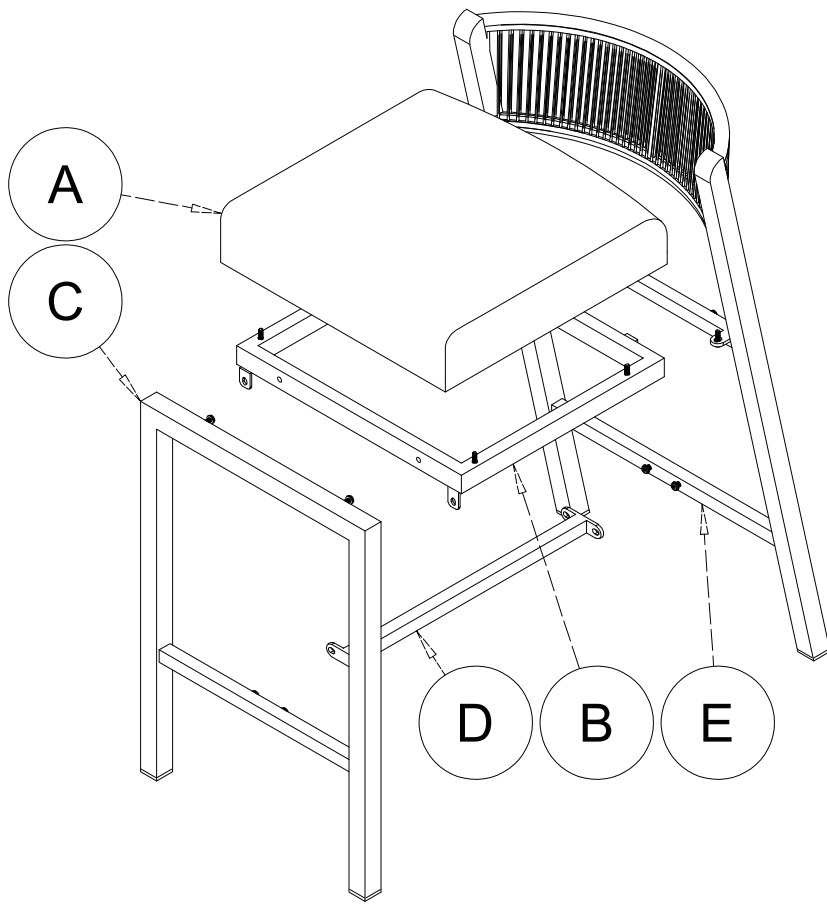
# ASSEMBLY INSTRUCTION

## Counter Stool





LABEL		DESCRIPTION	QTY
A		Seat panel	2
B		Seat frame	2
C		Front leg	2
D		Connect frame	2
E		Back panel	2

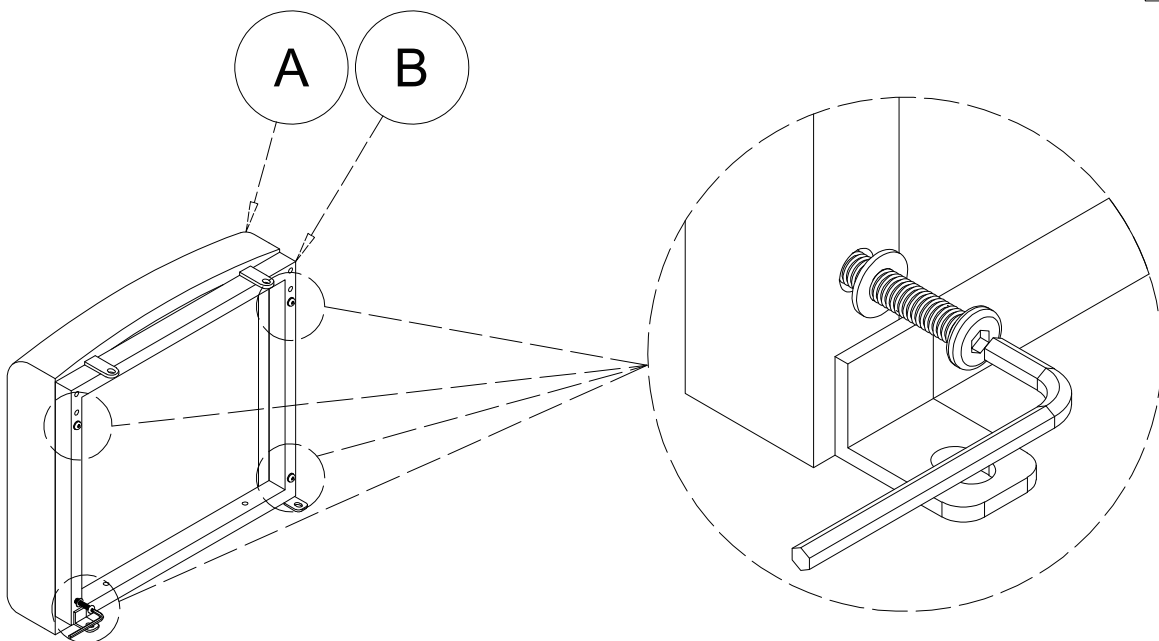
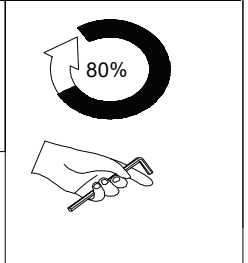
LABEL		DESCRIPTION	QTY
#1		Bolts M6 x 45 mm	+1 Spare 16
#2		Bolts M6 x 20 mm	+1 Spare 20
#3		Flat washer M6	+1 Spare 36
#4		Allen wrench M6	1



1

#1 ×4PCS  
  
 M6\*45MM

#3 ×4PCS  
  
 M6



2

#2 ×2PCS

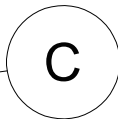
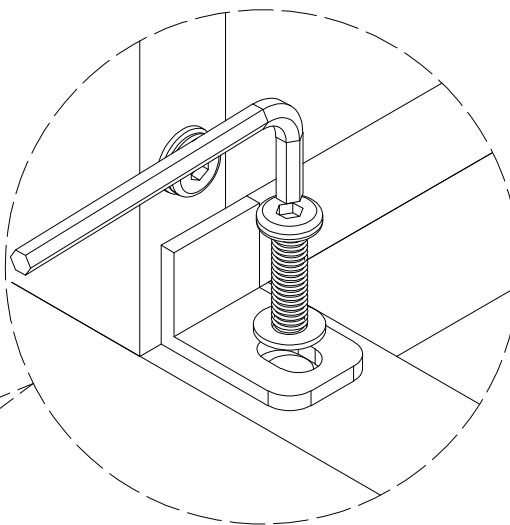
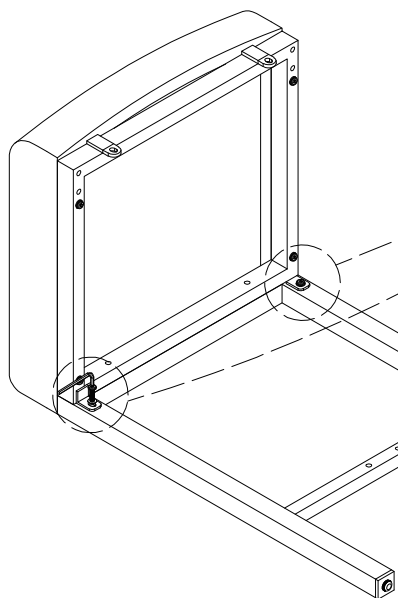


M6×20MM

#3 ×2PCS



M6



3

#1 ×2PCS

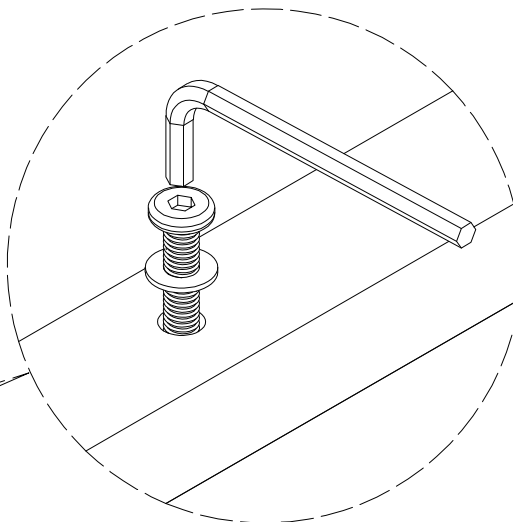
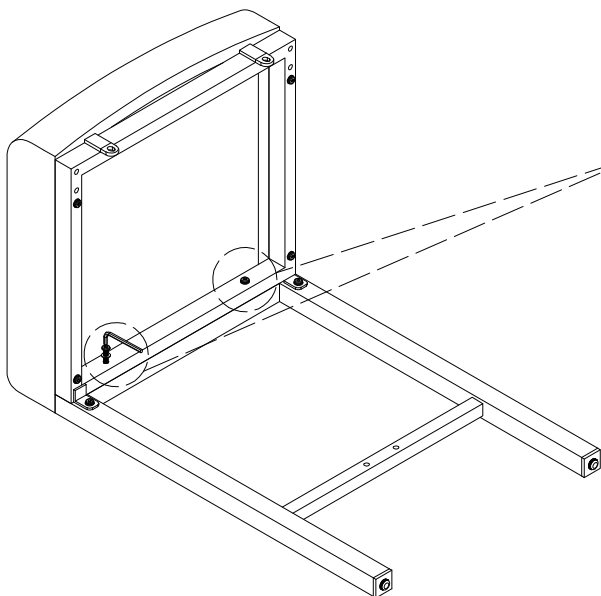
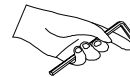
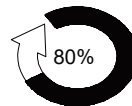


M6×45MM

#3 ×2PCS



M6



4

#2 ×4PCS

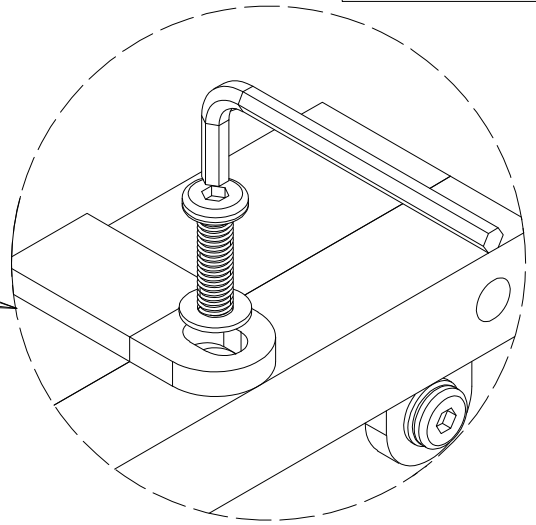
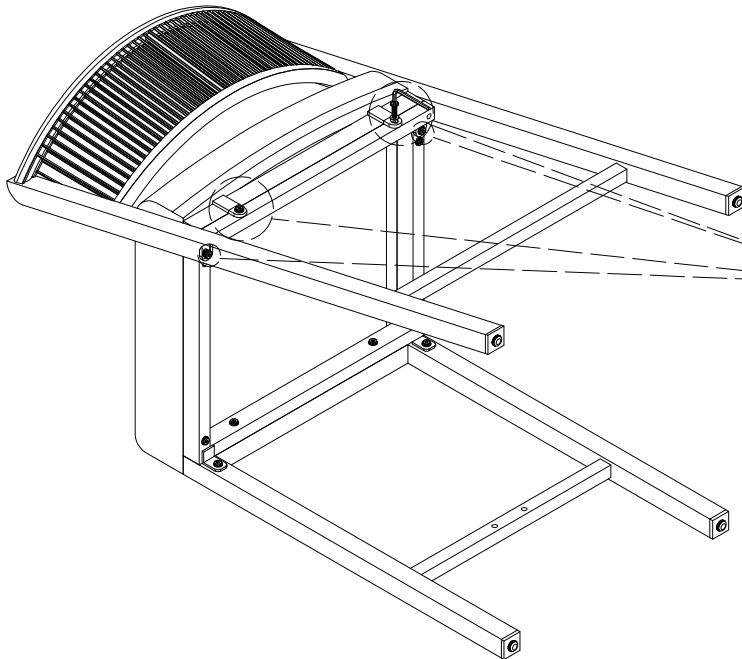
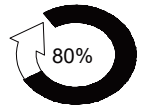


M6×20MM

#3 ×4PCS



M6



5

#1 ×2PCS

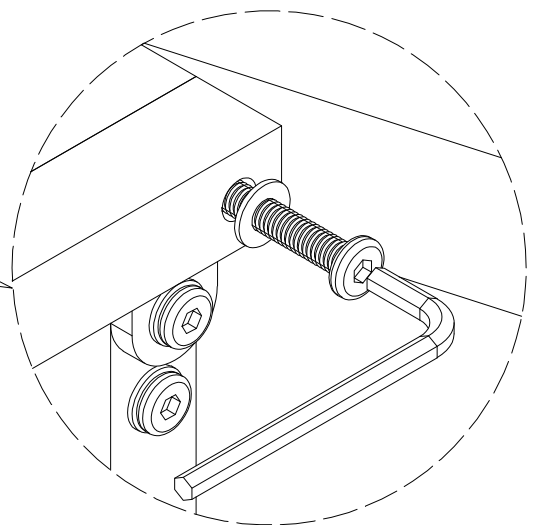
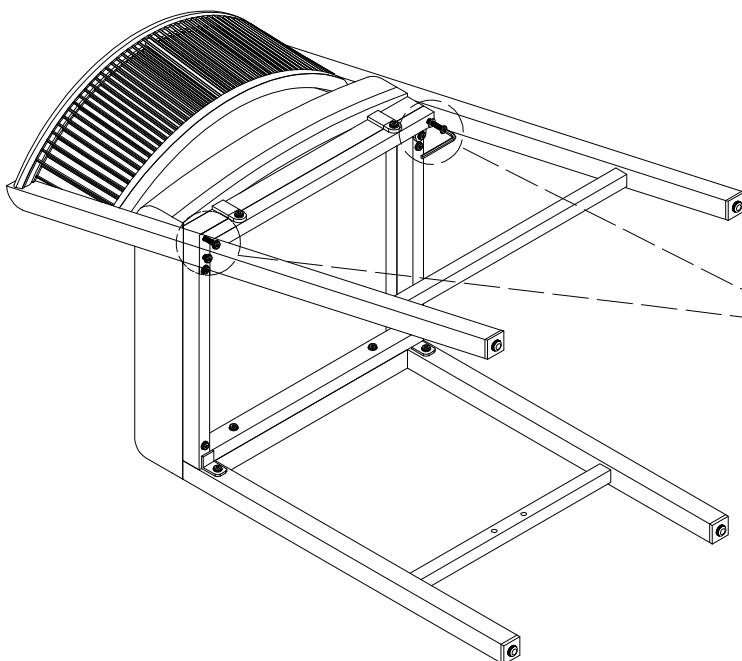
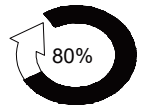


M6×45MM

#3 ×2PCS



M6



# 6

#2 ×4PCS

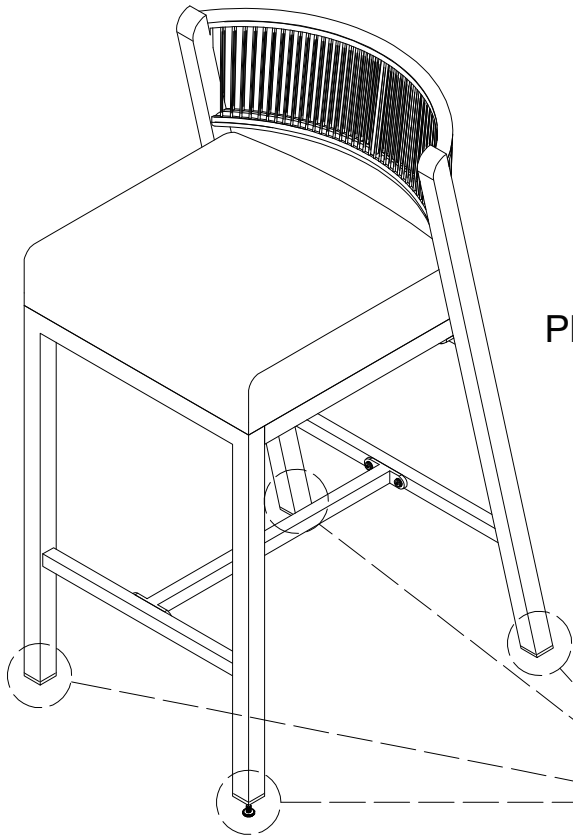
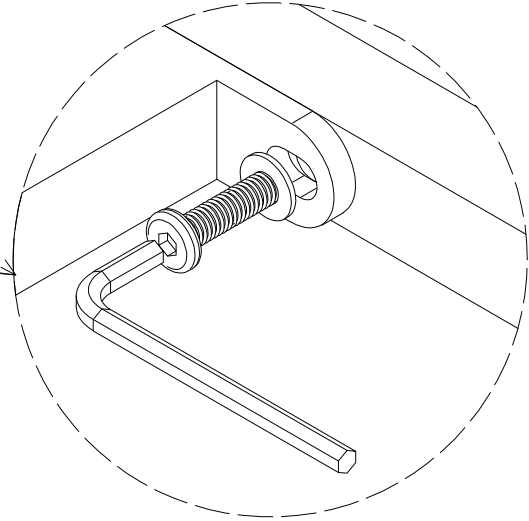
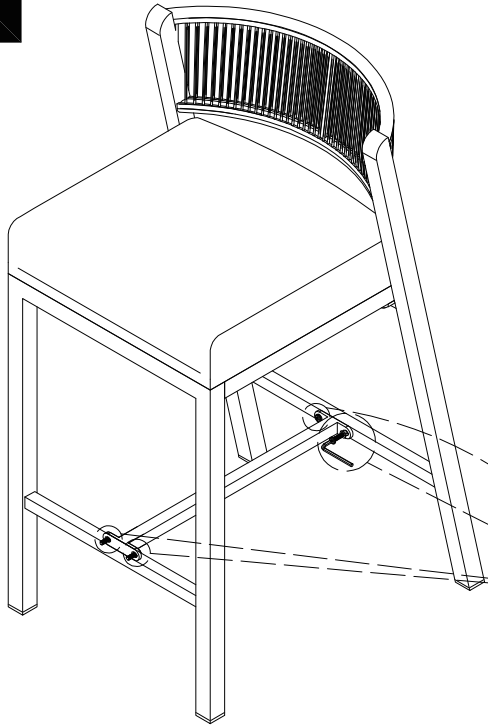
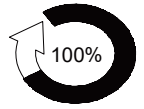


M6×20MM

#3 ×4PCS



M6



Please use the adjuster for stability if needed.

