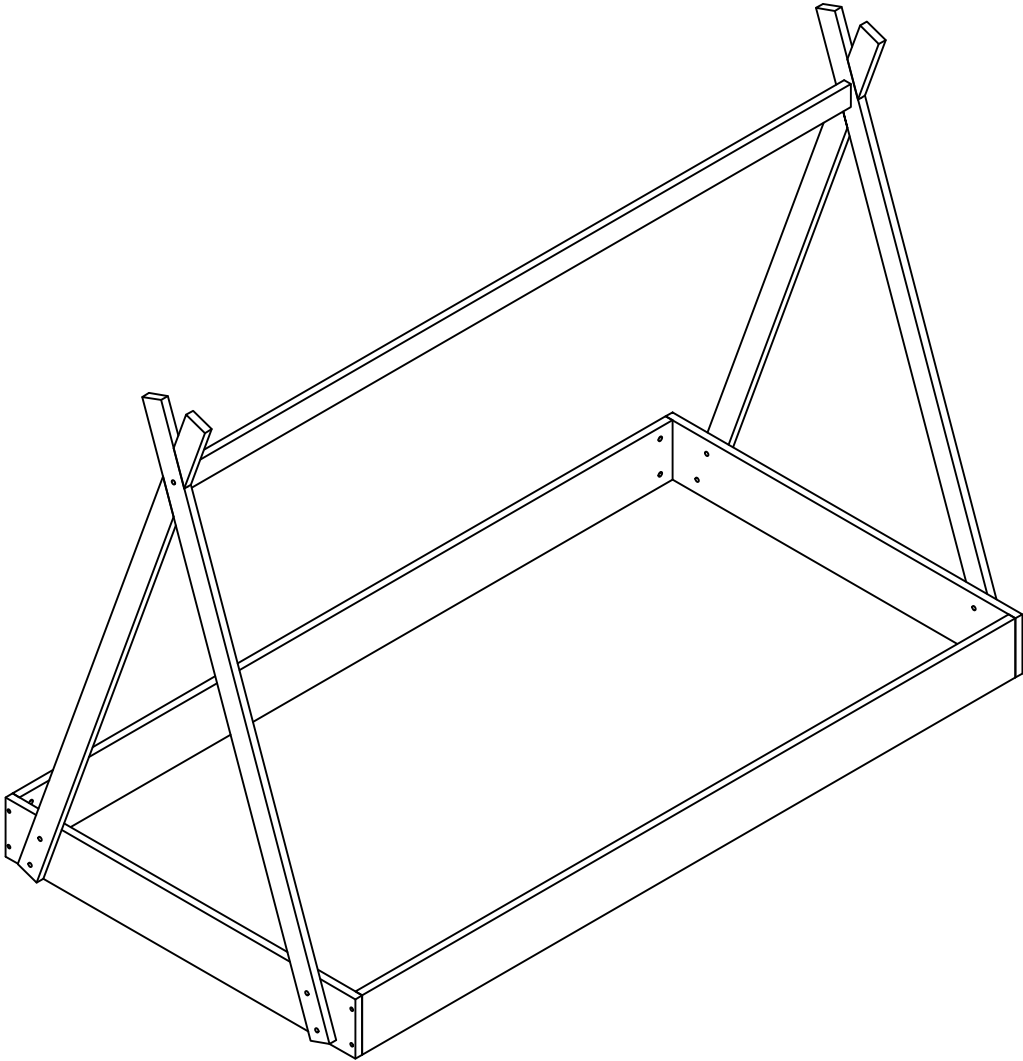
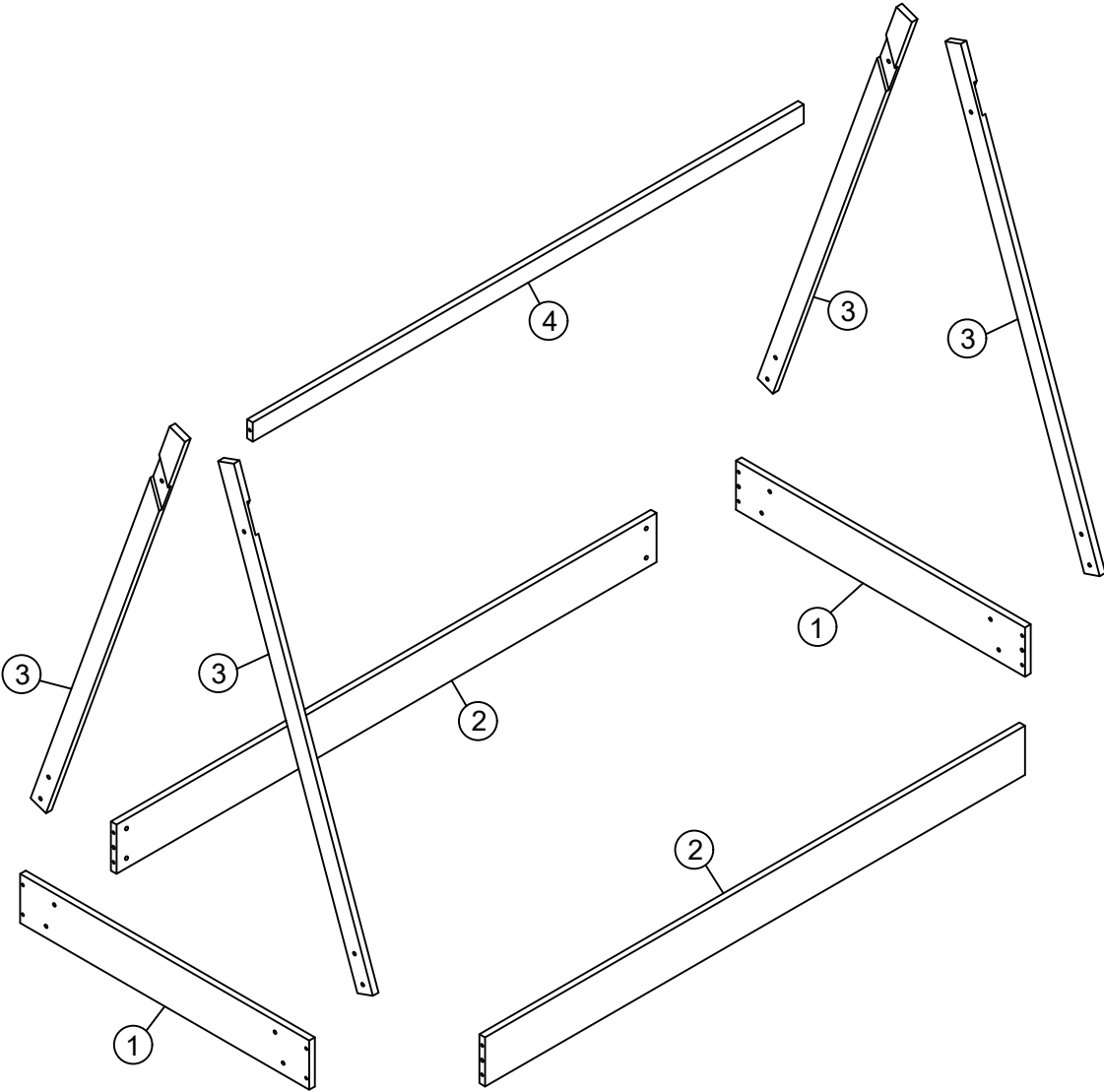


# ASSEMBLY INSTRUCTIONS

## TWIN SIZE BED

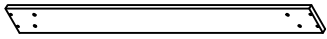
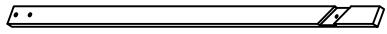

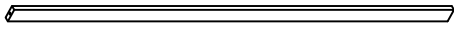


# ASSEMBLY INSTRUCTIONS


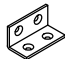








# ASSEMBLY INSTRUCTIONS

## PARTS LIST

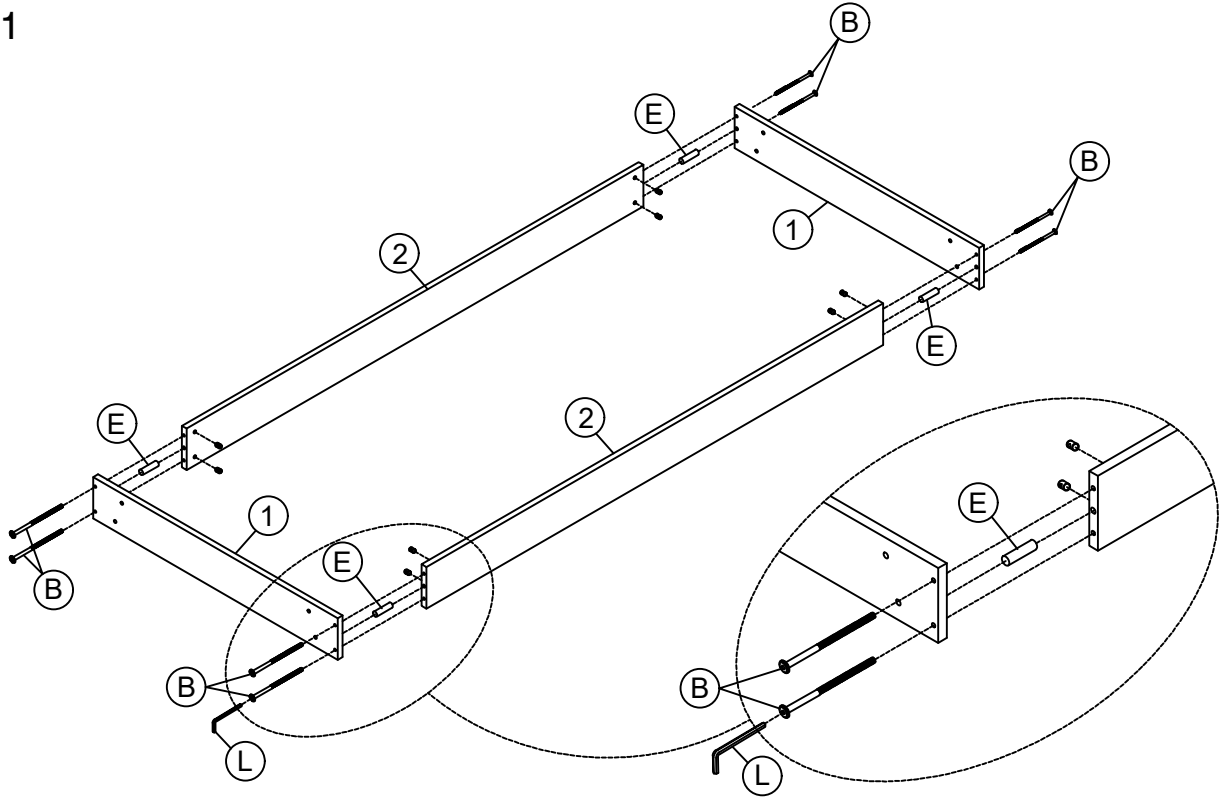
<b>1</b>	 Bed's head	2pcs	<b>3</b>	 Cross wooden bar	4pcs
<b>2</b>	 Bed shoulder	2pcs	<b>4</b>	 Crossbar	1pc





## HARDWARE LIST

<b>A</b>	Ø4x15 	8PCS	<b>D</b>	40x20x20 	2PCS
<b>B</b>	1/4x65  	10PCS	<b>E</b>	10x40 	4PCS
<b>C</b>	1/4x35  	8PCS	<b>L</b>	4x58 	1PC

# ASSEMBLY INSTRUCTIONS

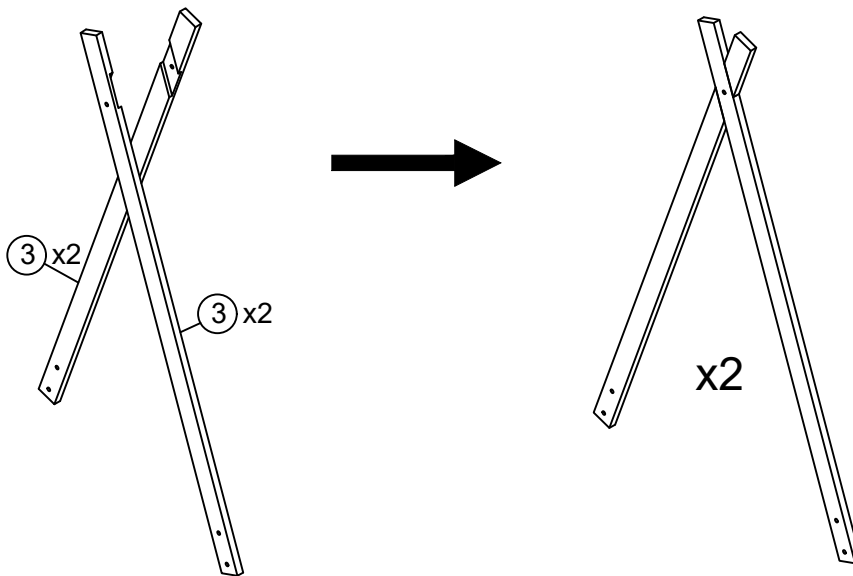
## Step 1



<b>E</b>	10x40		4PCS
<b>B</b>	1/4x65	 	8PCS
<b>L</b>	4x58		1PC

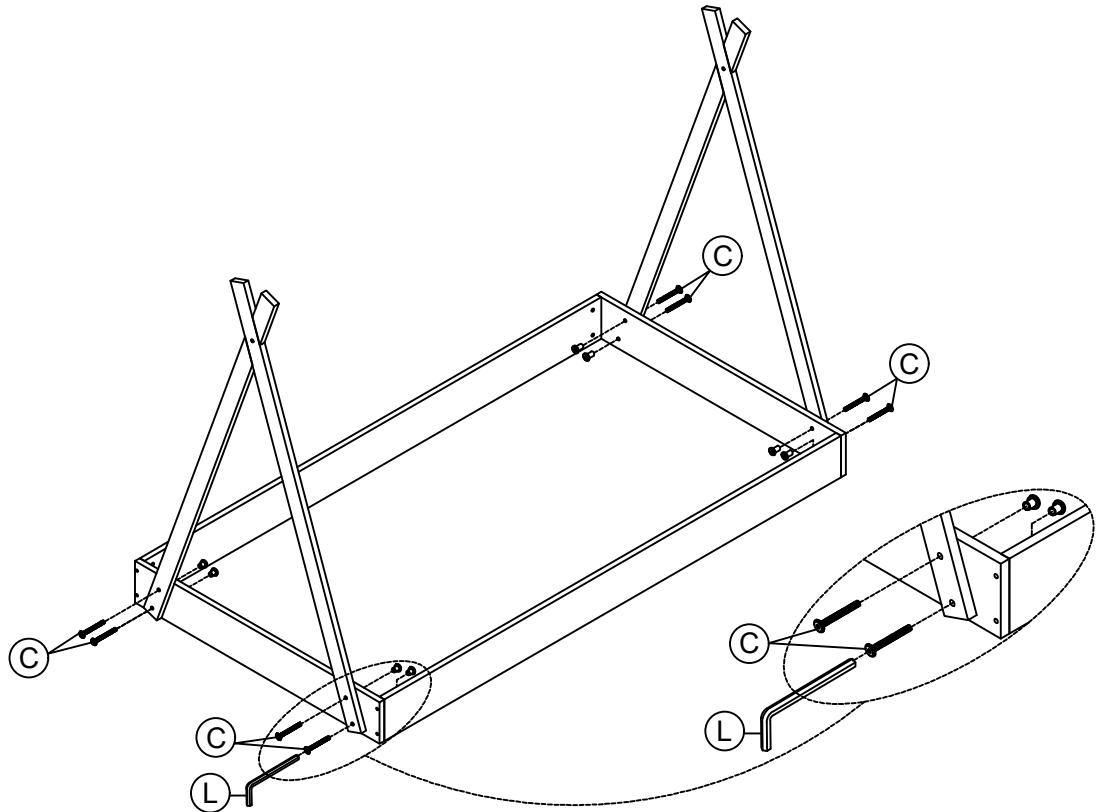
## Step 2



Place bar number "2" in position as above.



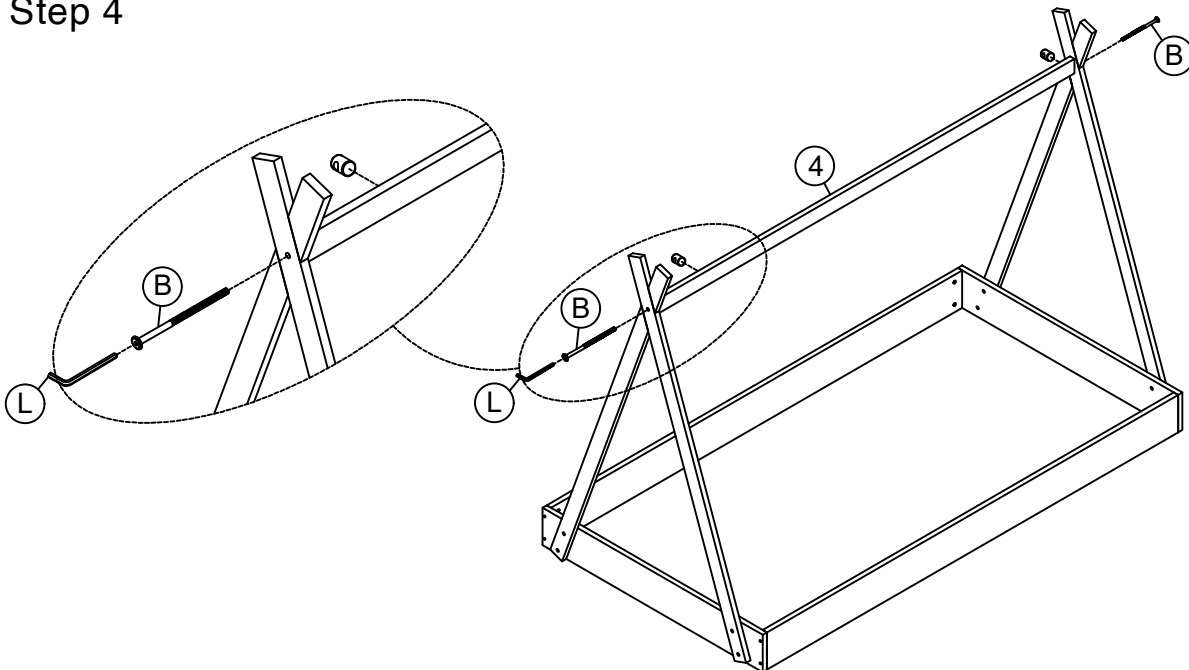
# ASSEMBLY INSTRUCTIONS



## Step 3



<b>C</b>	1/4x35		8PCS	<b>L</b>	4x58		1PC
----------	--------	---	------	----------	------	---	-----

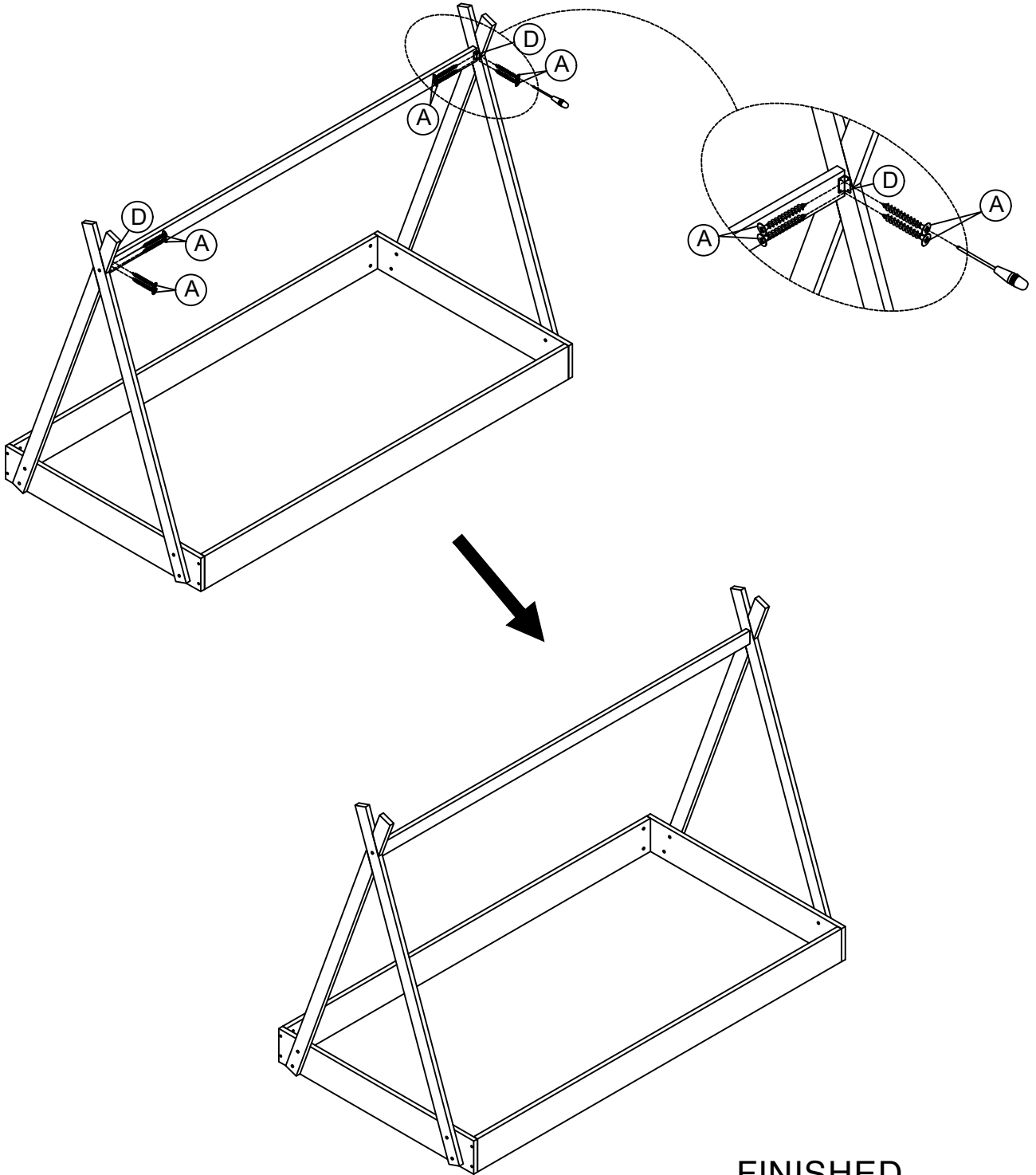
## Step 4





<b>B</b>	1/4x65		2PCS	<b>L</b>	4x58		1PC
----------	--------	---	------	----------	------	---	-----

# ASSEMBLY INSTRUCTIONS

## Step 5



FINISHED

<b>A</b>	Ø4x15		8PCS	<b>D</b>	40x20x20		2PCS
----------	-------	---	------	----------	----------	---	------