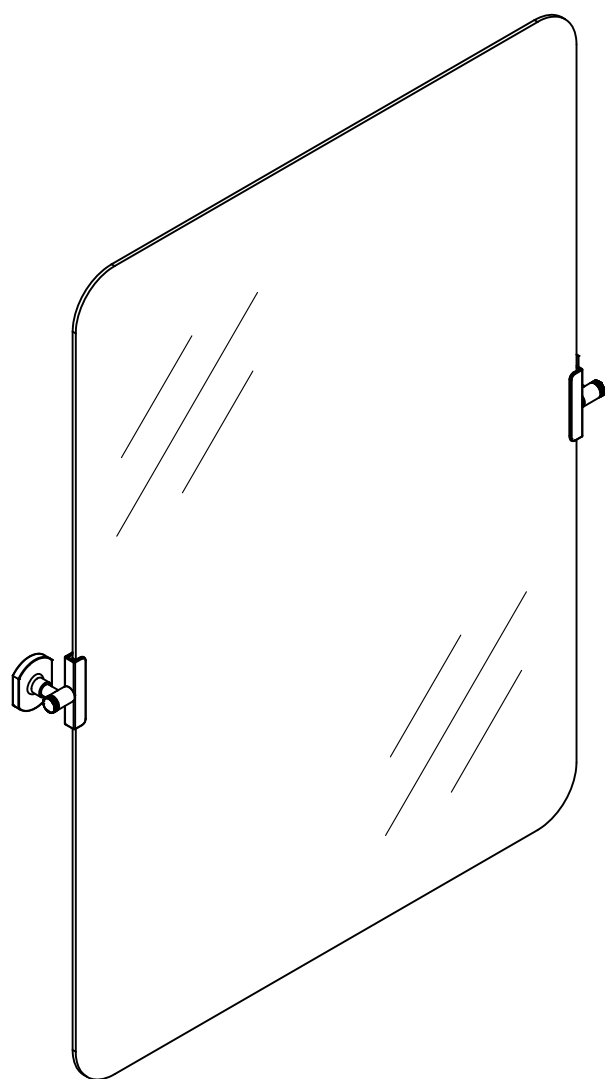


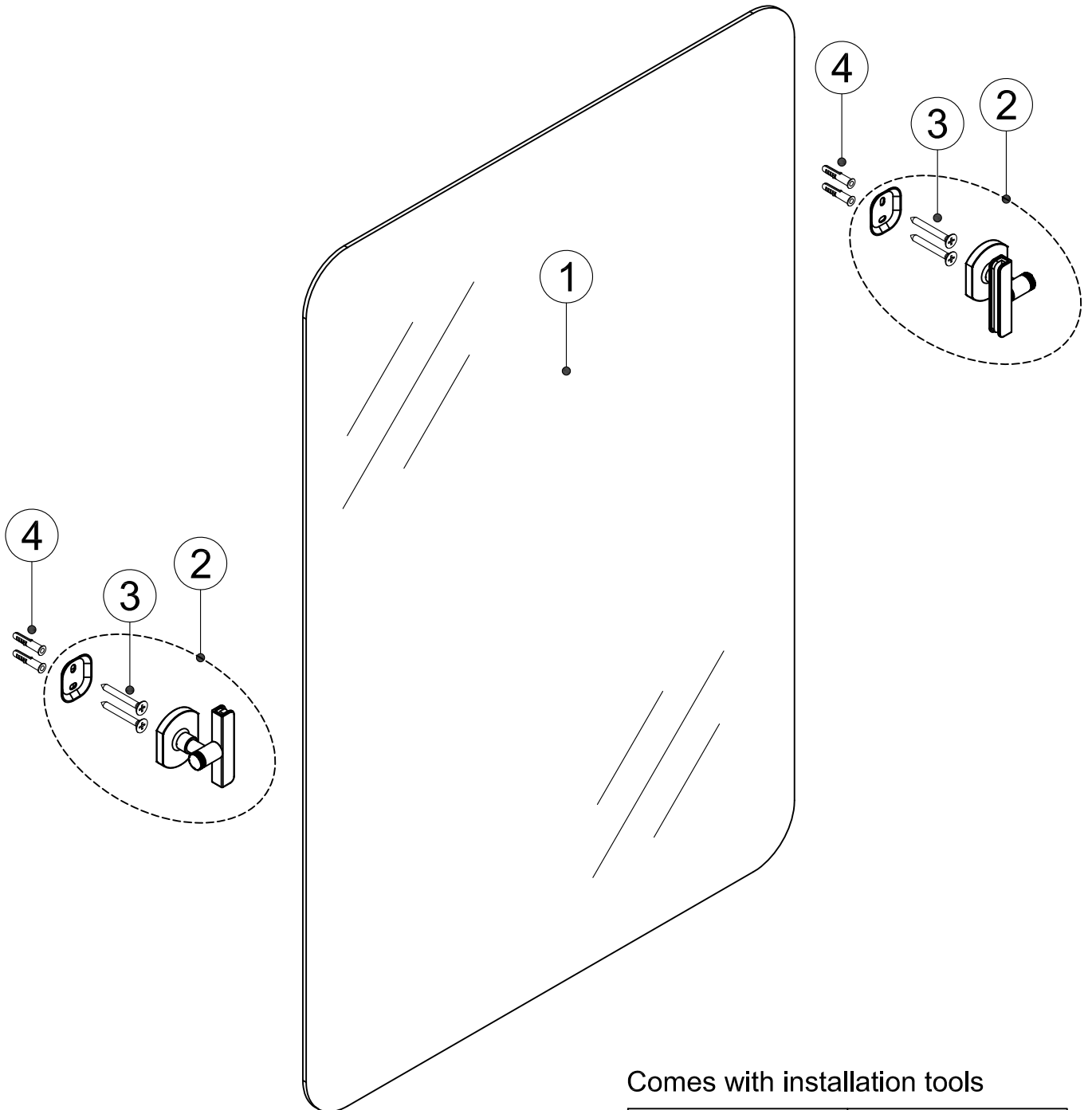
---

---

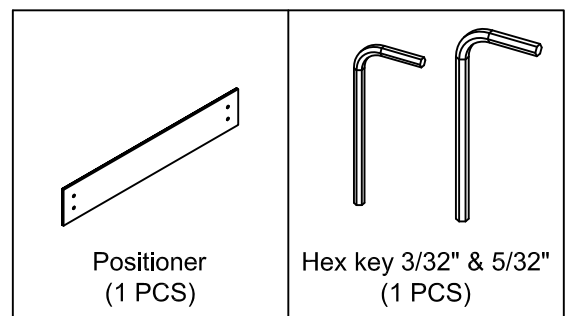
# Installation Manual



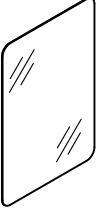
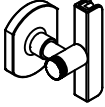
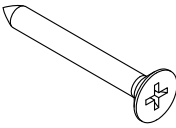
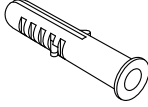
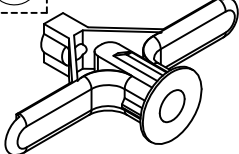
# Detailed Diagram of Components



Comes with installation tools

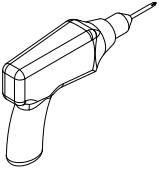
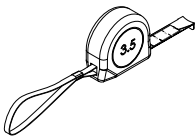
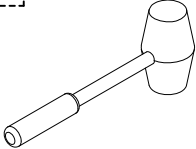

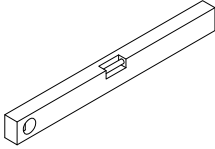
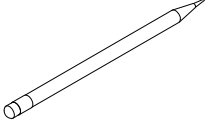
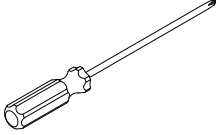



## PARTS LIST

				
MIRROR(1 PCS)	ROTATING SHAFT(2 PCS)	1 3/16" SCREW(4 PCS)	WALL PLUG(4 PCS)	AIRCRAFT-SHAPED WALL PLUG(4 PCS)

**WARNING: Safety glasses should always be worn when working with drill.**

### Required Tools:

			 5/16" & 3/8"	
DRILL	MEASURE TAPE	RUBBER MALLET	DRILL BITS	LEVEL
				
PENCIL	SCREW DRIVERS	SAFETY GLASSES		

## Before You Start

Thank you for choosing . We strive to provide you with the highest quality product and user experience.

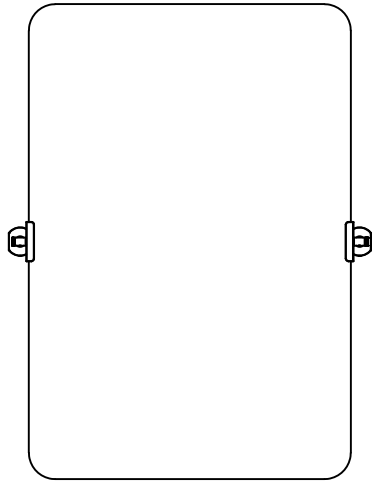
Please read this manual carefully, as it contains important product information and step-by-step instructions for installation. Failure to follow the instructions may affect the warranty of the product.

**1.** Prior to installation, please inspect the boxes for any damages caused during shipping. If there are any missing or defective parts, please contact customer service via email within 7 business days of the delivery date. Please note that we will not replace any damaged products or missing parts free of charge if reported after 7 business days from the delivery date. Feel free to contact us if you have any questions regarding your PO number.

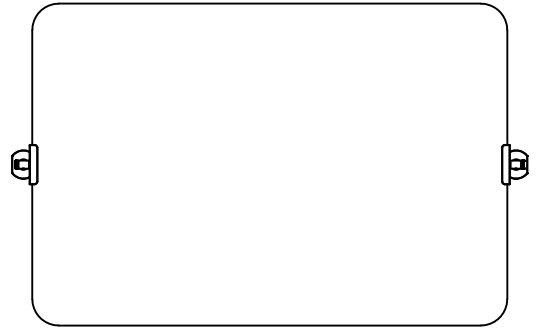
**2.** Please make sure to consult your local building codes for any questions on installation standards. Building and plumbing codes may vary by location.

**Choose the direction - vertical or horizontal.  
Follow the appropriate diagram below .**

Vertical Assembly



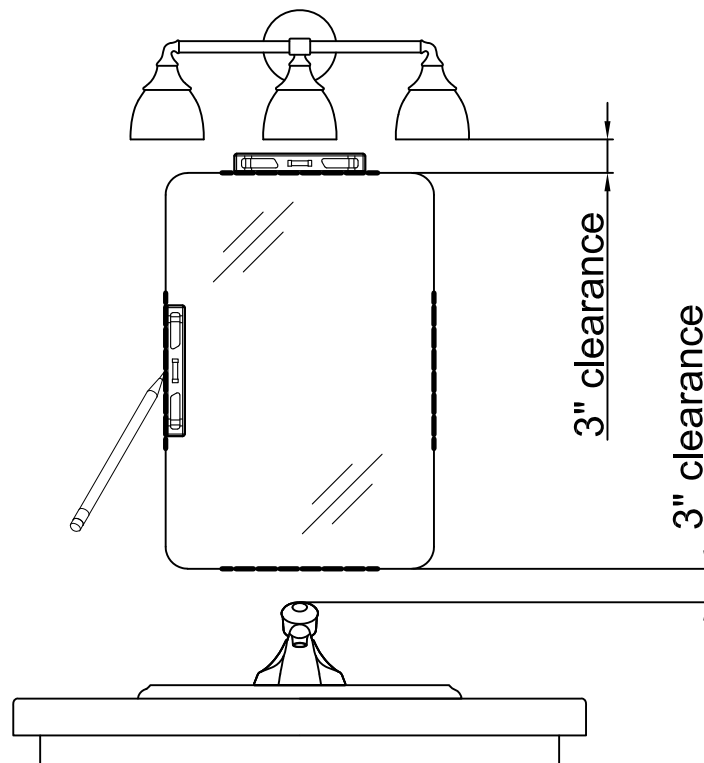
Horizontal Assembly



**STEP 1**

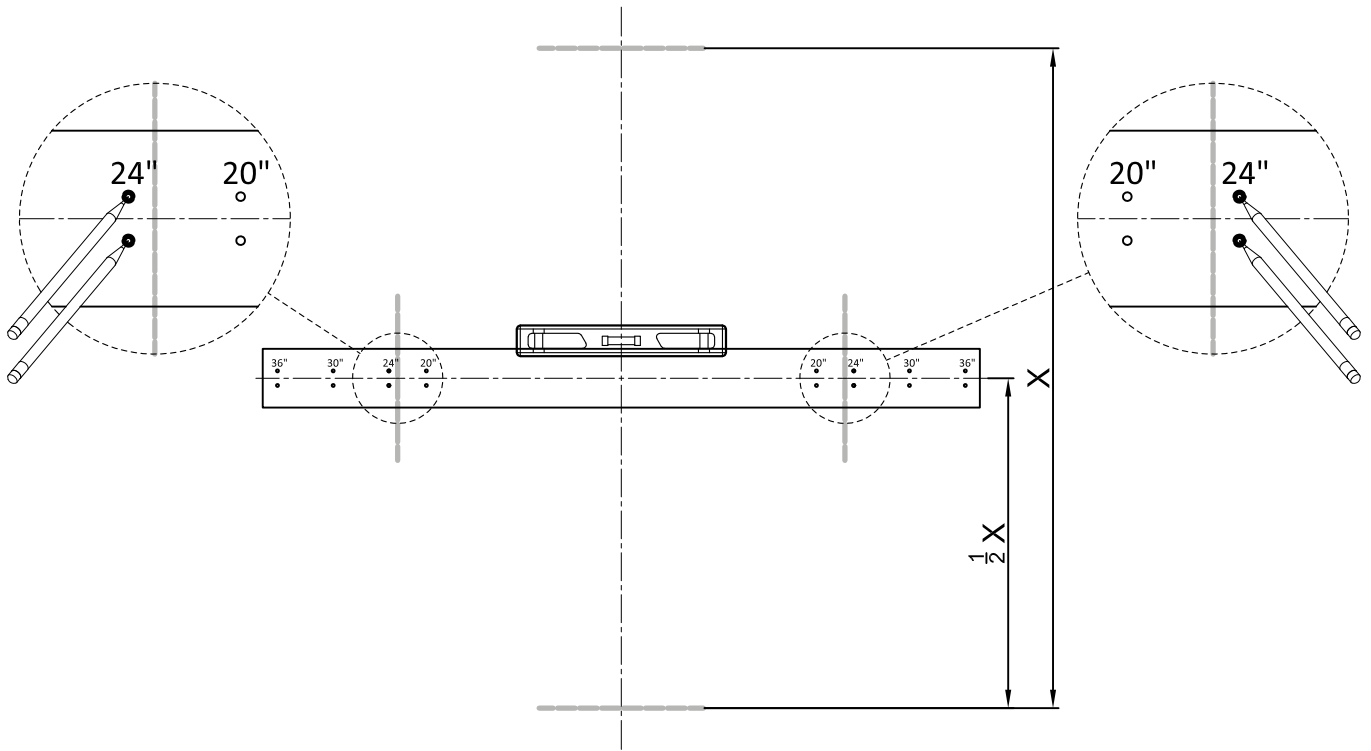
Select the desired position for the mirror. Level it and mark the location.

**IMPORTANT: Ensure there is at least 3" of clearance above any obstructions.**



## STEP 2

Place the positioning cardboard in the designated position, find the corresponding hole on the positioning cardboard according to the product width, mark the hole and ensure the mark is level.



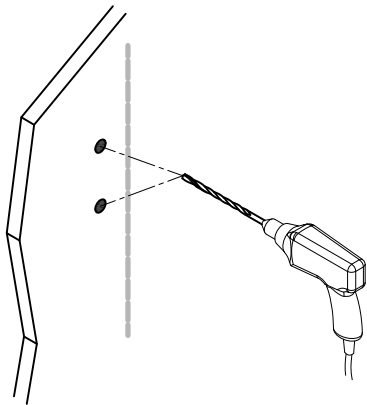
## STEP 3

3.1 Drill holes about 1 1/2" deep at each of the marked locations.

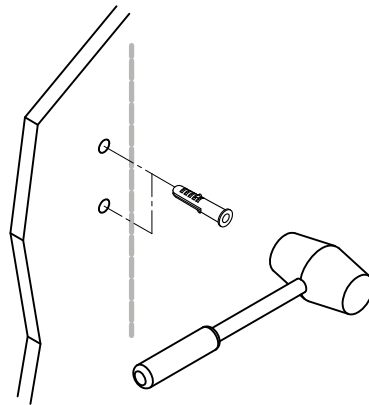
3.2 Insert wall plugs.

For walls thicker than 3/8" to 1/2", drill a 5/16" hole and insert the WALL PLUG (4).

For walls thinner than 3/8" to 1/2", drill a 3/8" hole and insert the AIRCRAFT-SHAPED WALL PLUG (5).



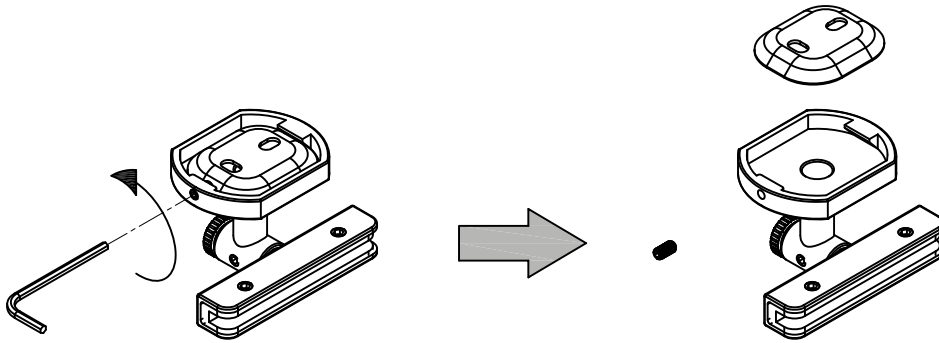
STEP 3.1



STEP 3.2

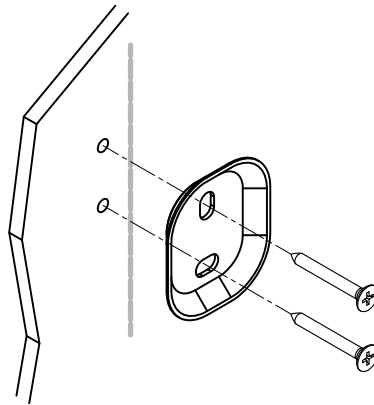
#### STEP 4

Use a hex wrench to remove the **retaining clip** on the **rotating shaft**.



#### STEP 5

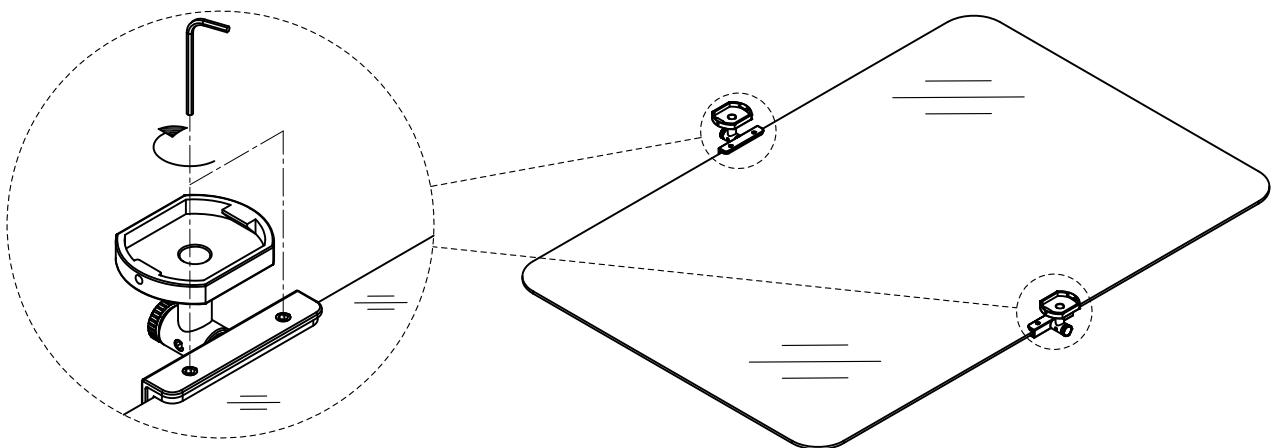
**Retaining clip** plate on the wall.



#### STEP 6

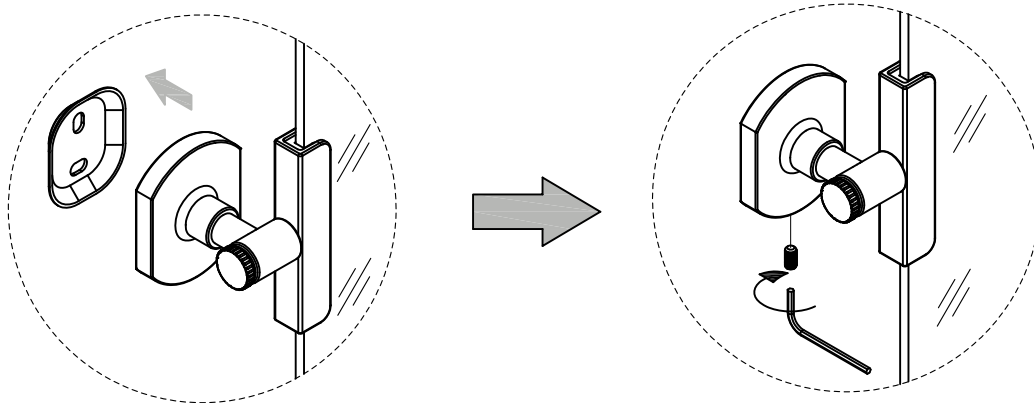
Install the **rotating shaft**. Position the **rotating shaft** at the center of the mirror's side and secure it.

**IMPORTANT:** The rotating shaft is divided into left and right. When installing on the wall, ensure the tension adjustment screw on the rotating shaft faces the ground.



## STEP 7

Install the **tilted mirror**. Align the **rotating shaft** with the **retaining clip** and tighten the **retaining clip**.



## STEP 8

The tightness of the mirror's movement can be adjusted by turning the screw on the **rotating shaft**.

