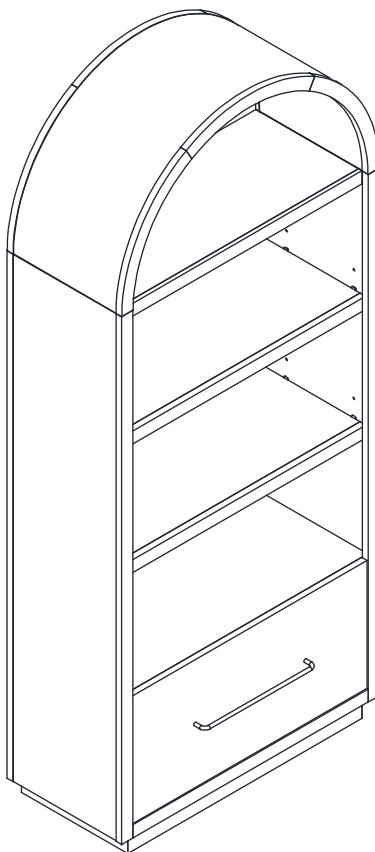





MARLOW BOOKCASE WITH FILE DRAWER

MARLOW

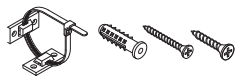

ASSEMBLY INSTRUCTIONS



PARTS LIST

LABEL	PICTURE	DESCRIPTION	Q'TY
A		BOOKCASE	1

HARDWARE

LABEL	PICTURE	DESCRIPTION	Q'TY
B		ANTITIP - KIT	2
C		FILE DIVIDERS	4

BEFORE BEGINNING ASSEMBLY:



Read instructions cover to cover



Have two adults on hand for assembly



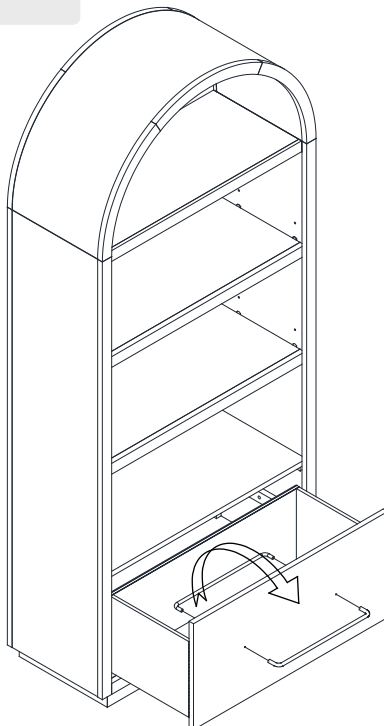
Do NOT assemble on flooring or carpet. Assemble on a clean non-marring surface (ex: packing foam)



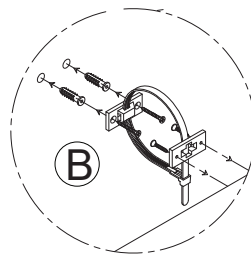
Save all packaging until assembly is completed

ASSEMBLY STEPS

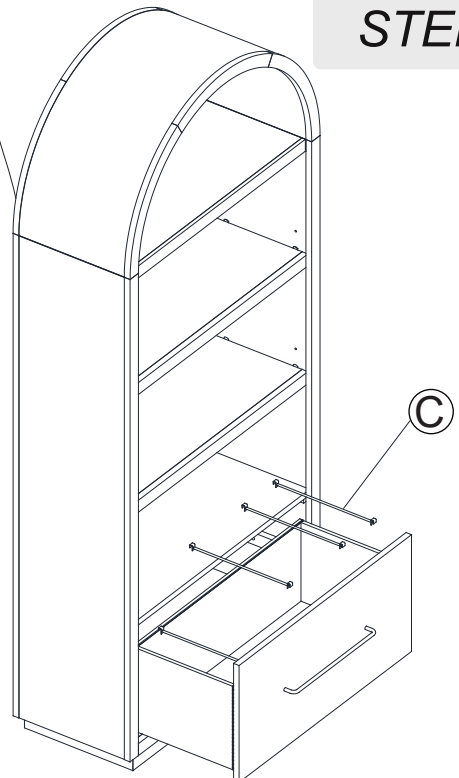
STEP 1



*Remove the handle from the inside of drawer
1. Install the handle with the same hardware
outside the drawer as shown.*



STEP 2



*2. Install the Anti-Tip Kits (B) to the back of
the Bookcase, and attach it securely to the wall.
3. Attach the File dividers to drawer.*

CARE & MAINTENANCE



Do not put hot items directly on furniture surface.



Do not clean furniture with harsh cleansers or polish



Dust and wipe up spills using a clean, non-colored, lint-free cloth.



Stains may be removed with a mild soap solution and a damp cloth.



Do not place furniture under direct sunlight.



Do not place furniture near heating or cooling vents.



Do not write on furniture without a padded barrier to protect the surface.



Do not place furniture outside, for indoor use only.