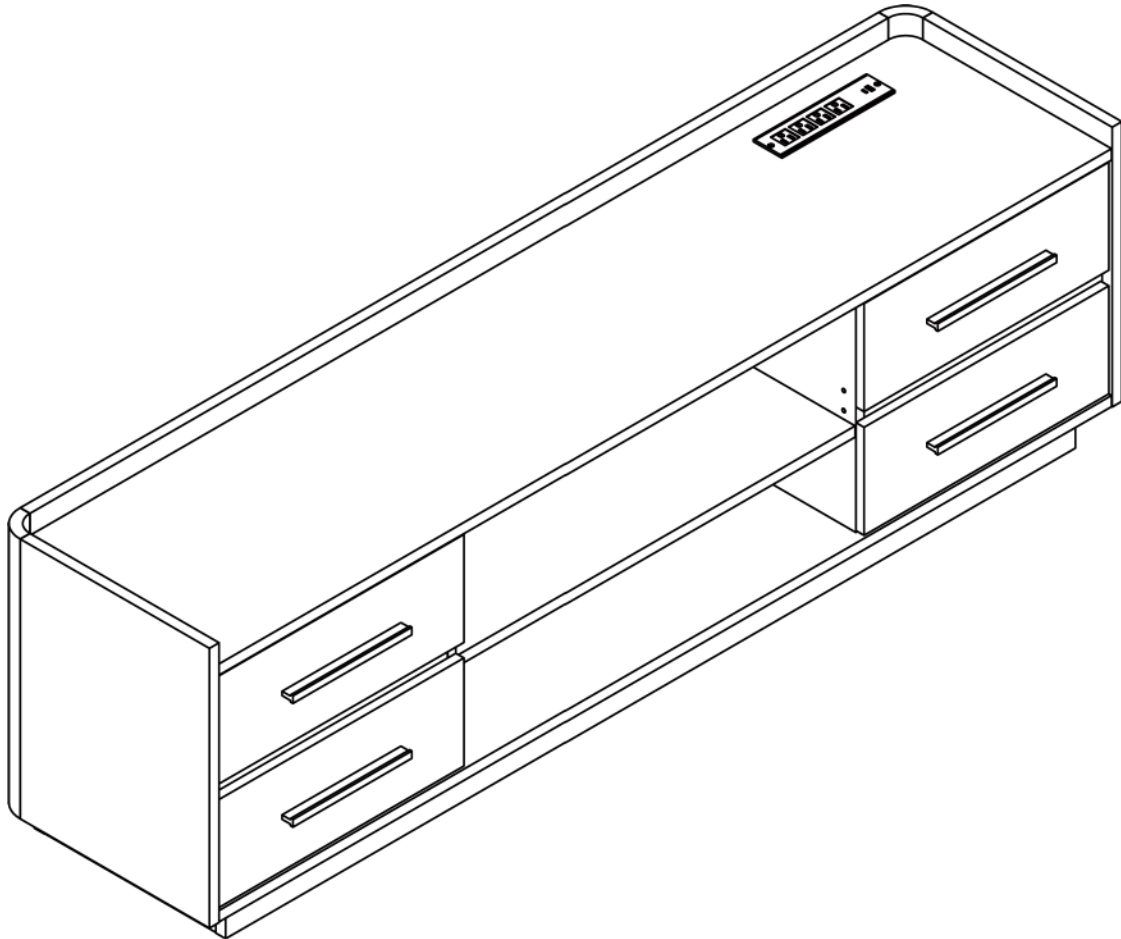



# Corrigan TV Stand



FOLLOW US:	CONTACT INFO:	ITEM NO.
		The instruction booklet contains <b>IMPORTANT</b> safety information. Please read it in full and keep it for future reference.

Scan this QR Code  
to view our online tutorial

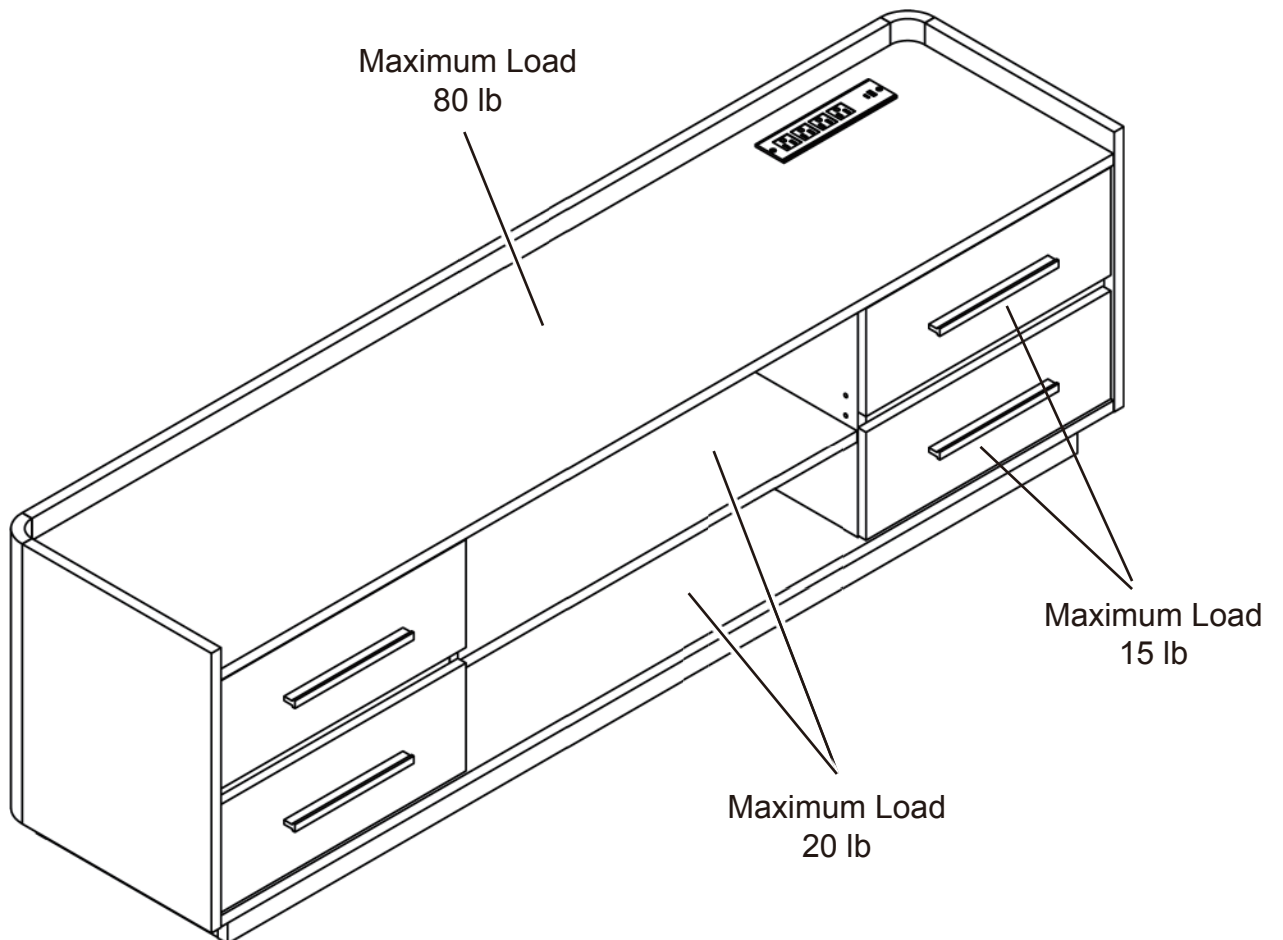


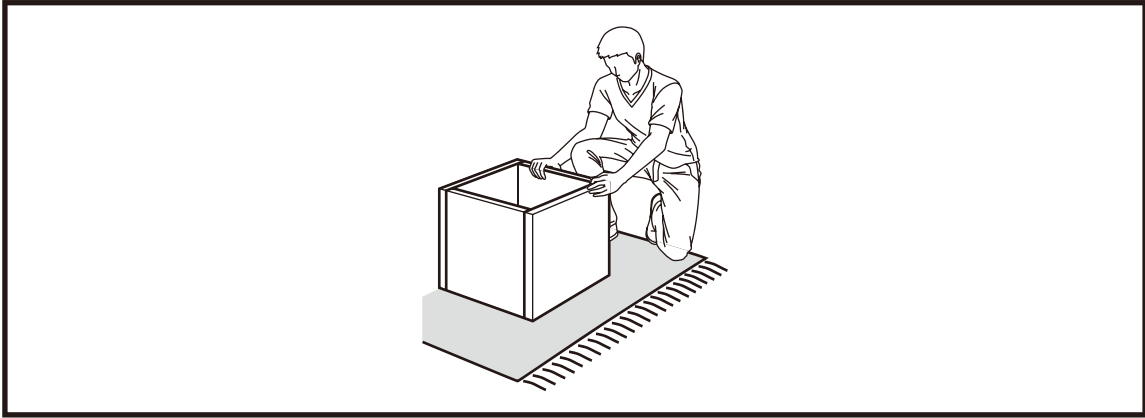
Estimated time for assembly:

**120 mins**



Weight limitations are as follows:

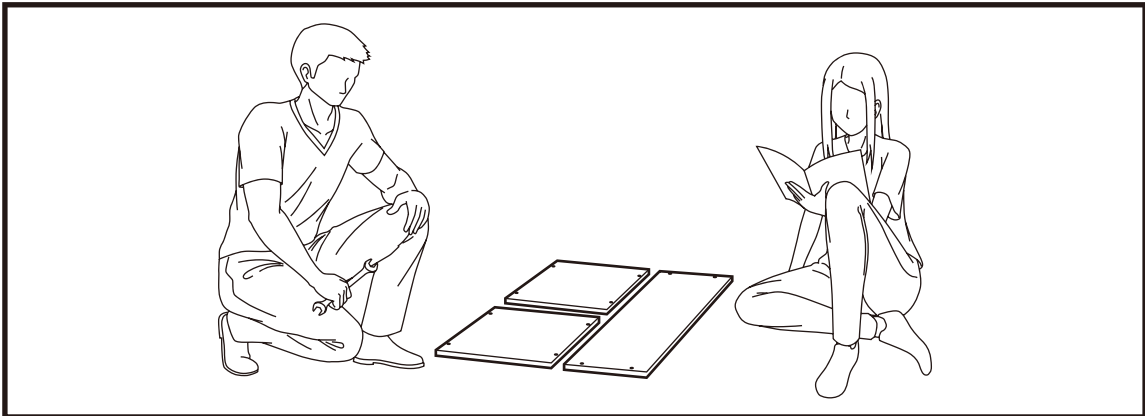




Assemble the furniture on an empty carton, carpet, or rug to prevent scratches or damage.

For safety, please keep pets and children away from the assembly area.

Ensure the product is fully assembled before use. If you are missing any hardware or products, do not use it until you have restored the missing parts.



This furniture requires 2 people for assembly.

Read this instruction manual prior to assembly to familiarize yourself with the various steps.

Lay out all components and hardware separately on a flat surface and make sure that no parts are missing or damaged before assembly. Do not destroy or discard any packaging until you are certain that you have all the necessary parts for assembly.

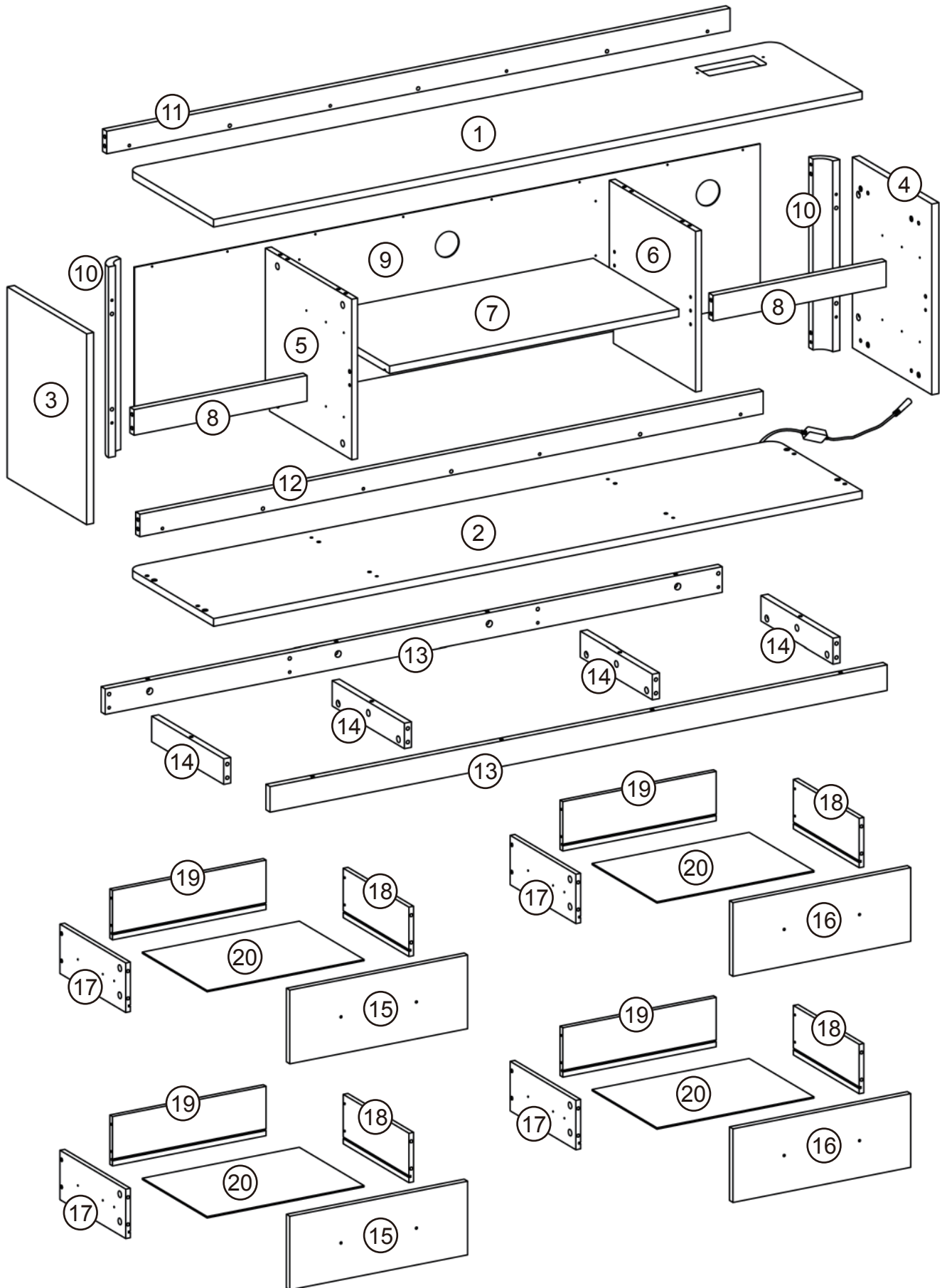
Hand tight all hardware and careful not to over tighten to avoid damaging the product.

## **CAUTION**

There are small components used in the construction of this product. Loose items should be kept away from pets and children to avoid a choking hazard.

Keep all plastic bags and packaging film away from pets and children to avoid suffocation.

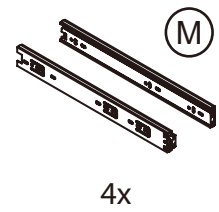
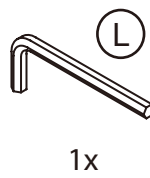
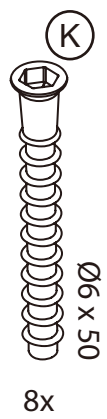
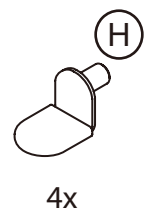
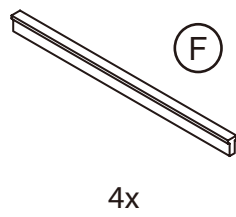
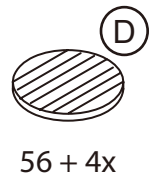
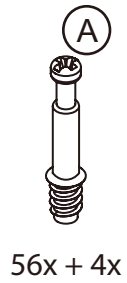
# PACKAGE CONTENTS



# PACKAGE CONTENTS

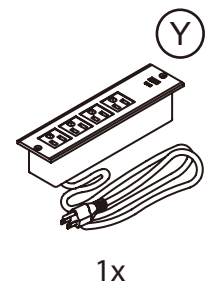
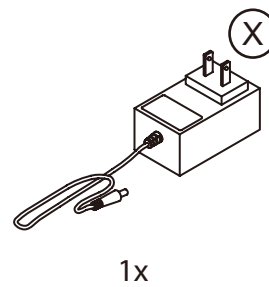
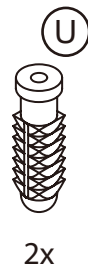
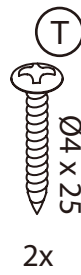
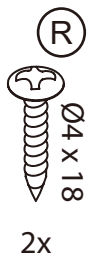
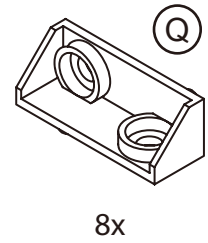
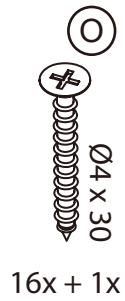
CODE	DESCRIPTION	QTY
1	Top Panel	1
2	Bottom Panel	1
3	Left Side Panel	1
4	Right Side Panel	1
5	Left Medial Panel	1
6	Right Medial Panel	1
7	Storage Shelf Panel	1
8	Short Crossbar	2
9	Back Panel	1
10	Rounded Corner Strip	2
11	Upper Crossbar	1
12	Bottom Crossbar	1
13	Long Base Panel	2
14	Short Base Panel	4
15	Left Drawer Front Panel	2
16	Right Drawer Front Panel	2
17	Drawer Left Panel	4
18	Drawer Right Panel	4
19	Drawer Back Panel	4
20	Drawer Bottom Panel	4

# PACKAGE CONTENTS



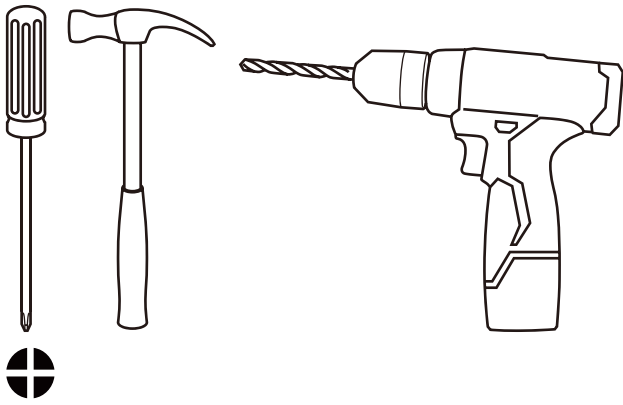
Install all hardware perpendicular to the opening.

# PACKAGE CONTENTS



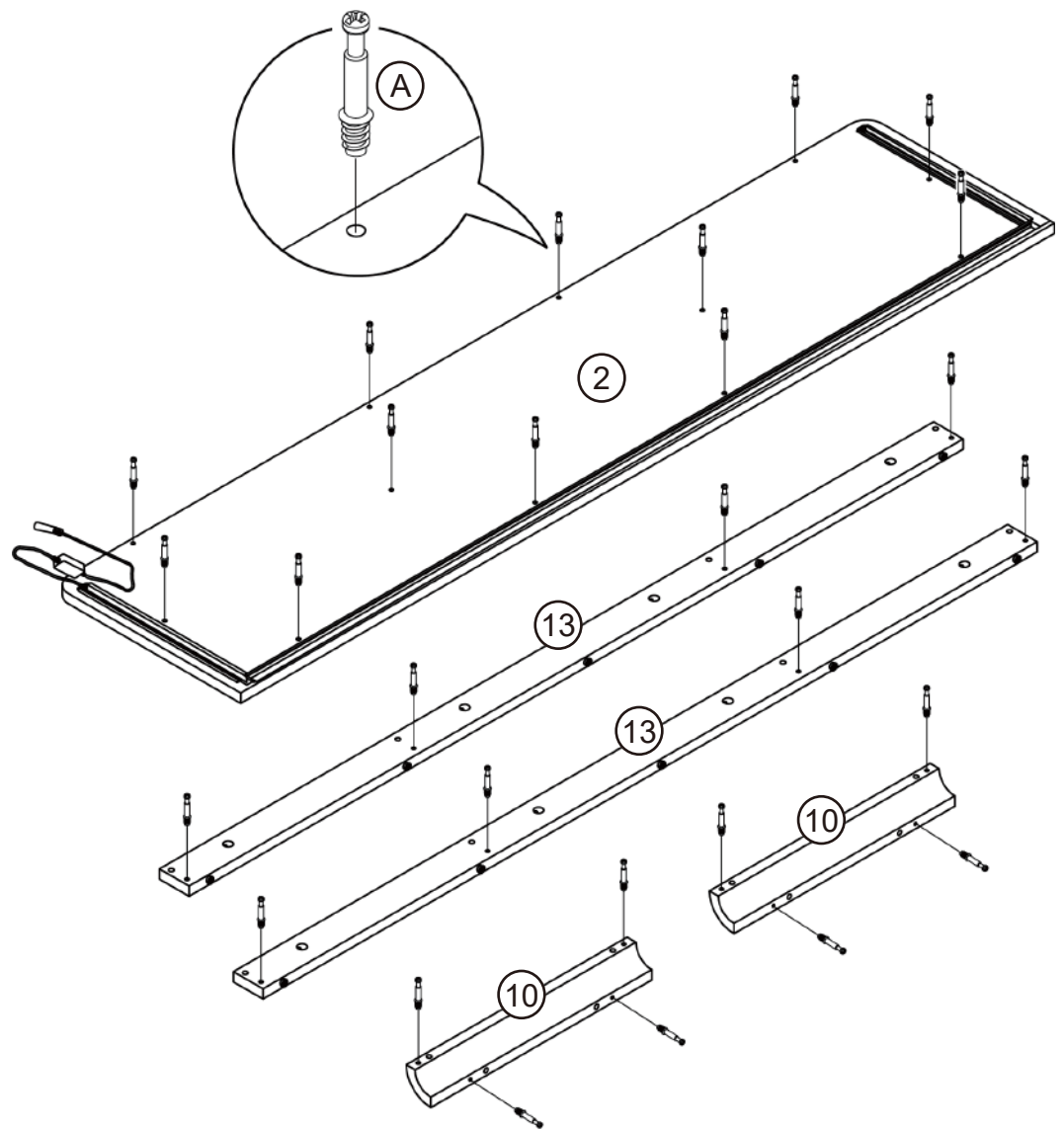
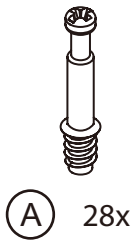
Install all hardware perpendicular to the opening.

Required tools for assembly (Not included)



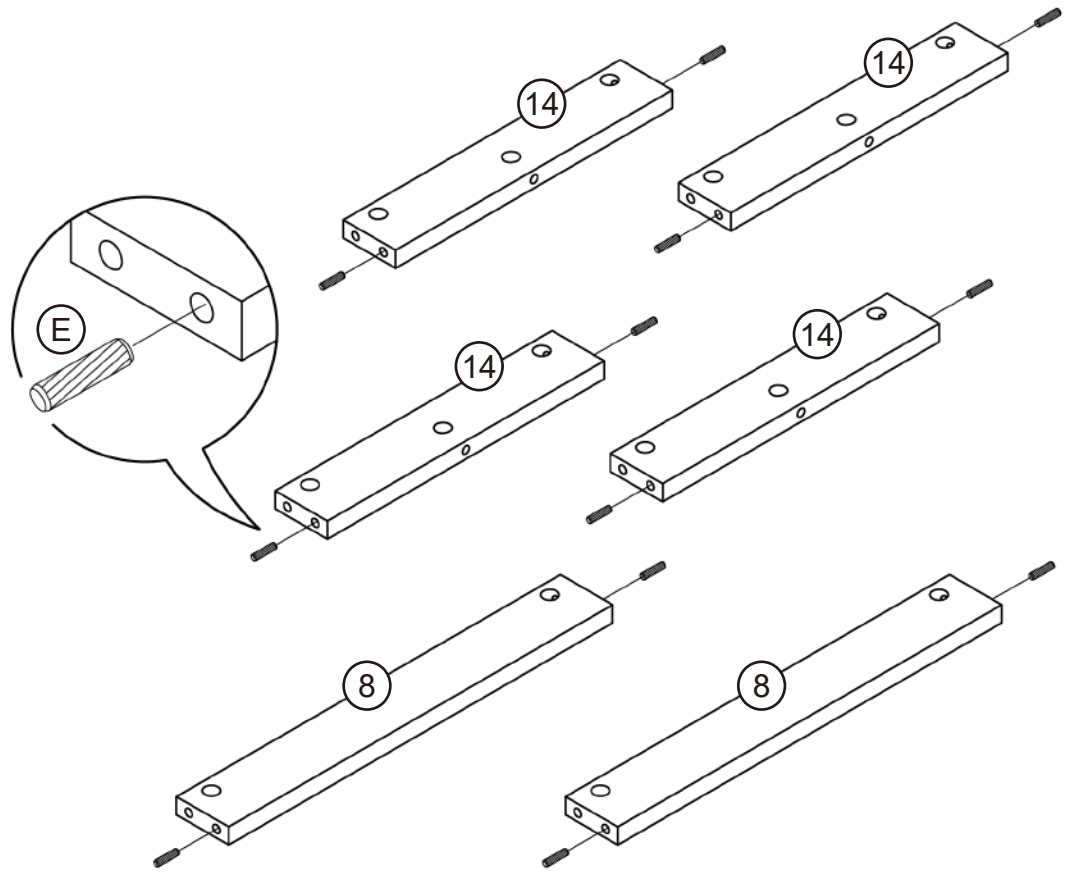
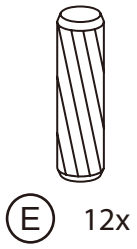
1

Attach cam bolts to the bottom panel (2), rounded corner strips (10), and long base panels (13).



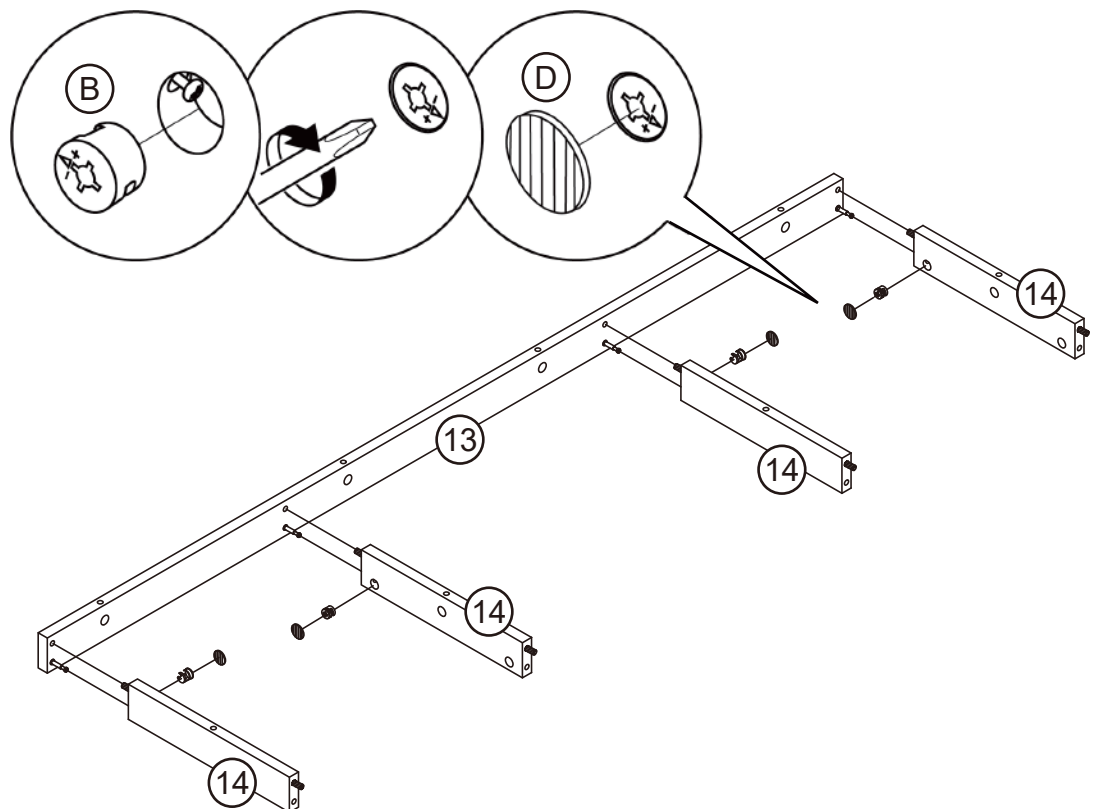
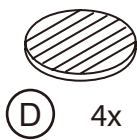
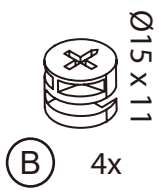
# 2

Insert wood dowels to the short crossbars (8) and the short base panels (14).



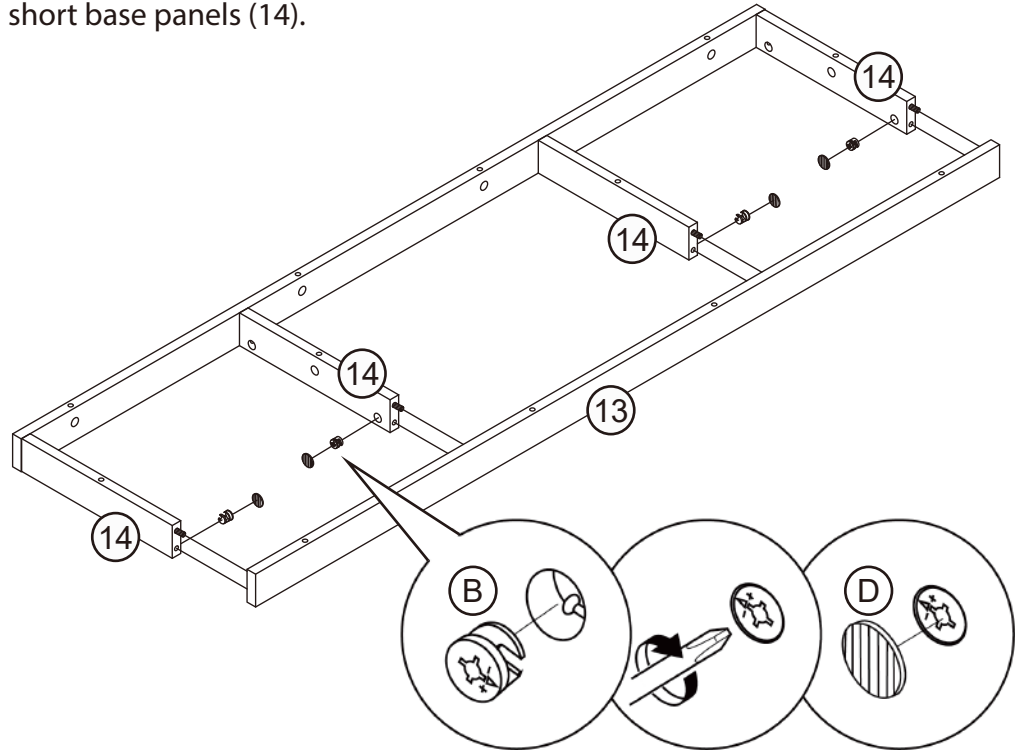
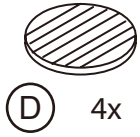
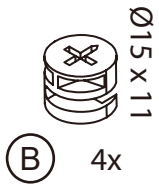
# 3

Assemble short base panels (14) to one of the long base panel (13).



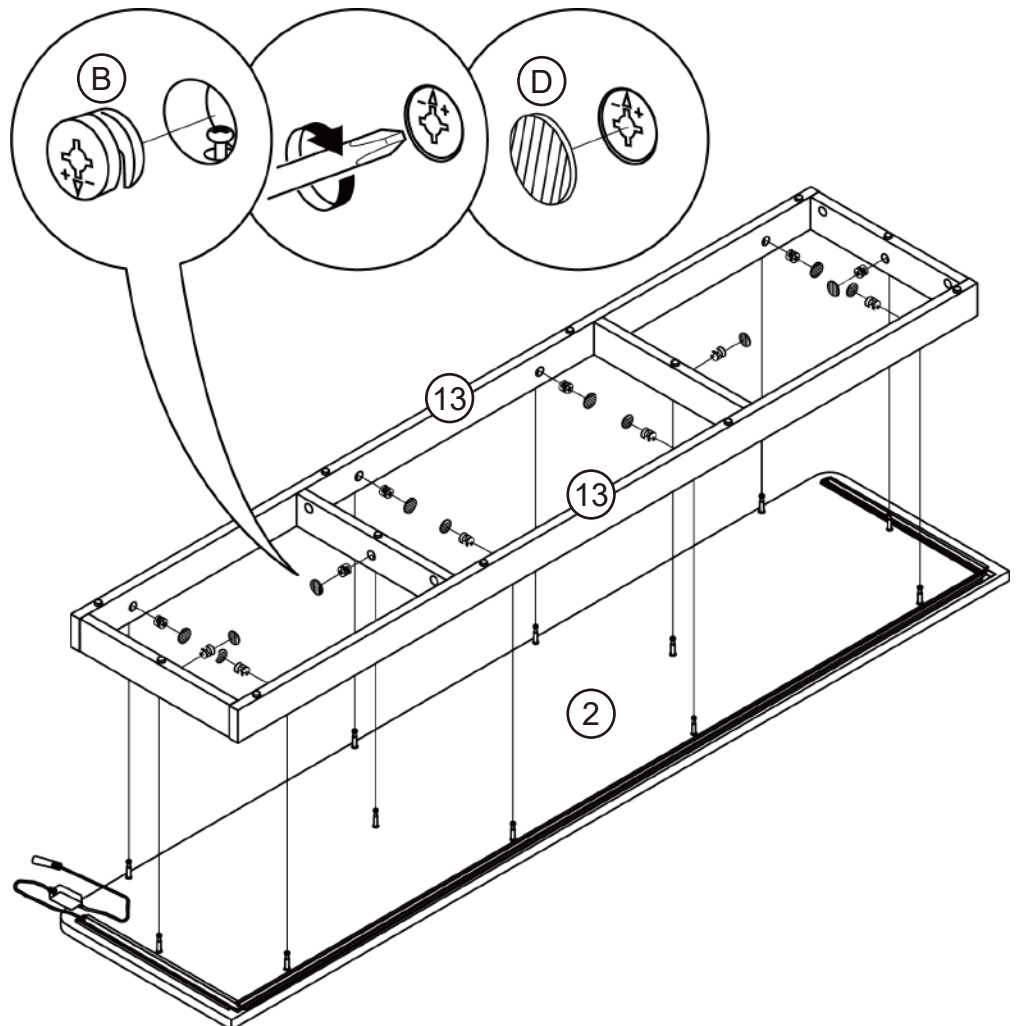
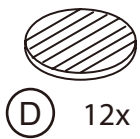
# 4

Complete the base frame by assembling the other long base panel (13) to the short base panels (14).



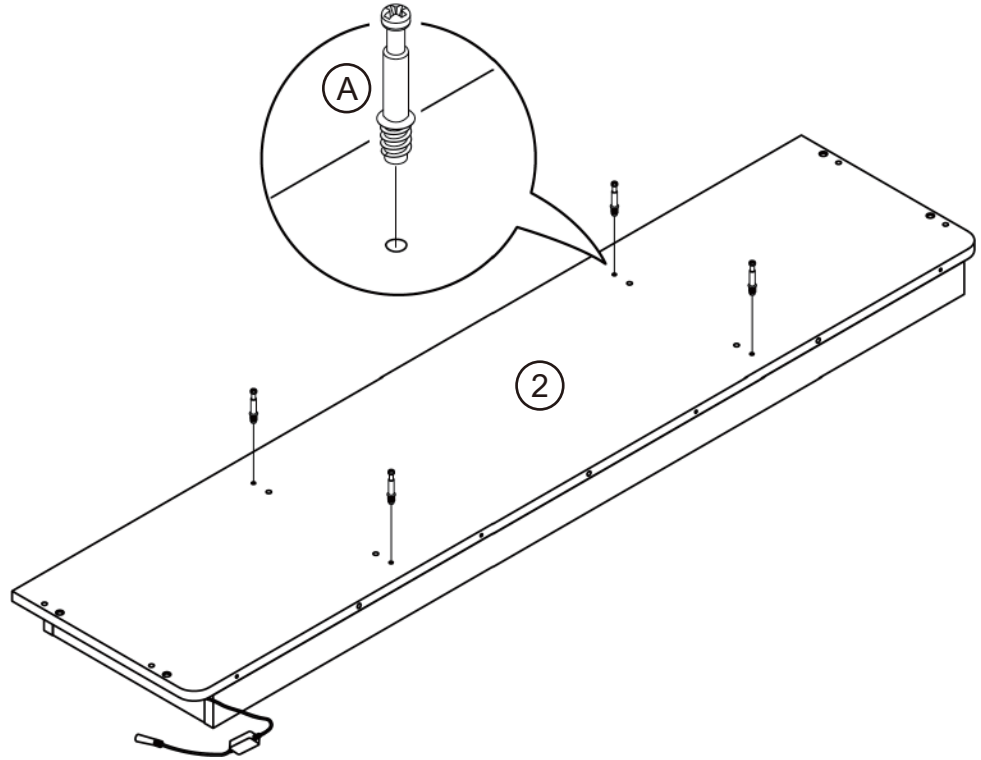
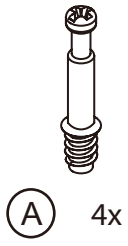
# 5

Assemble the base frame to the underside of the bottom panel (2).



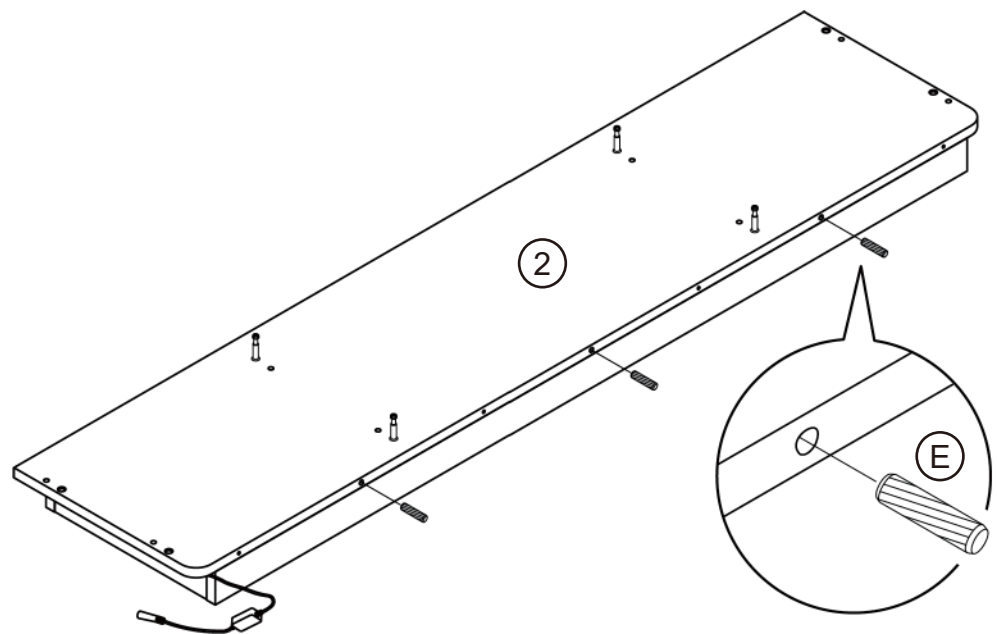
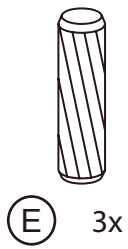
# 6

Attach cam bolts on top of the bottom panel (2).



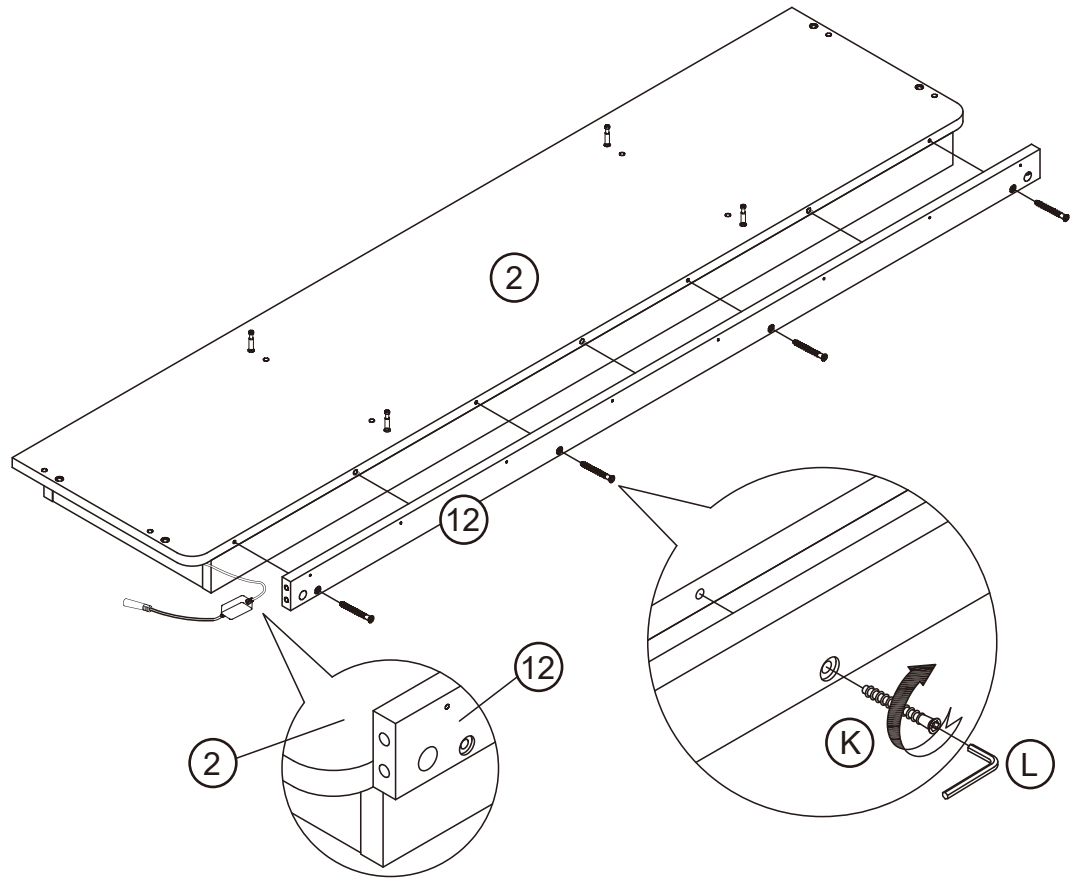
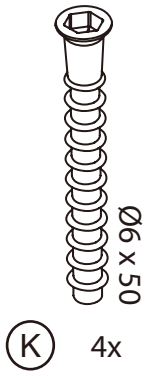
# 7

Insert wood dowels to the bottom panel (2).



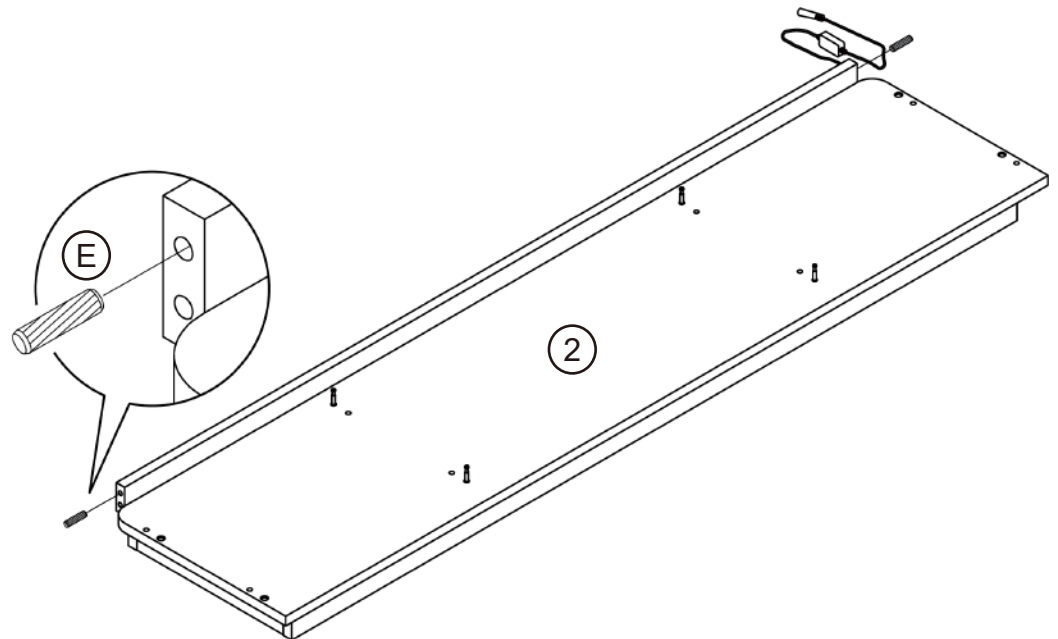
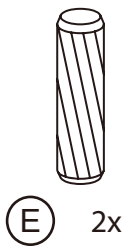
# 8

Assemble the bottom crossbar (12) to the bottom panel (2).



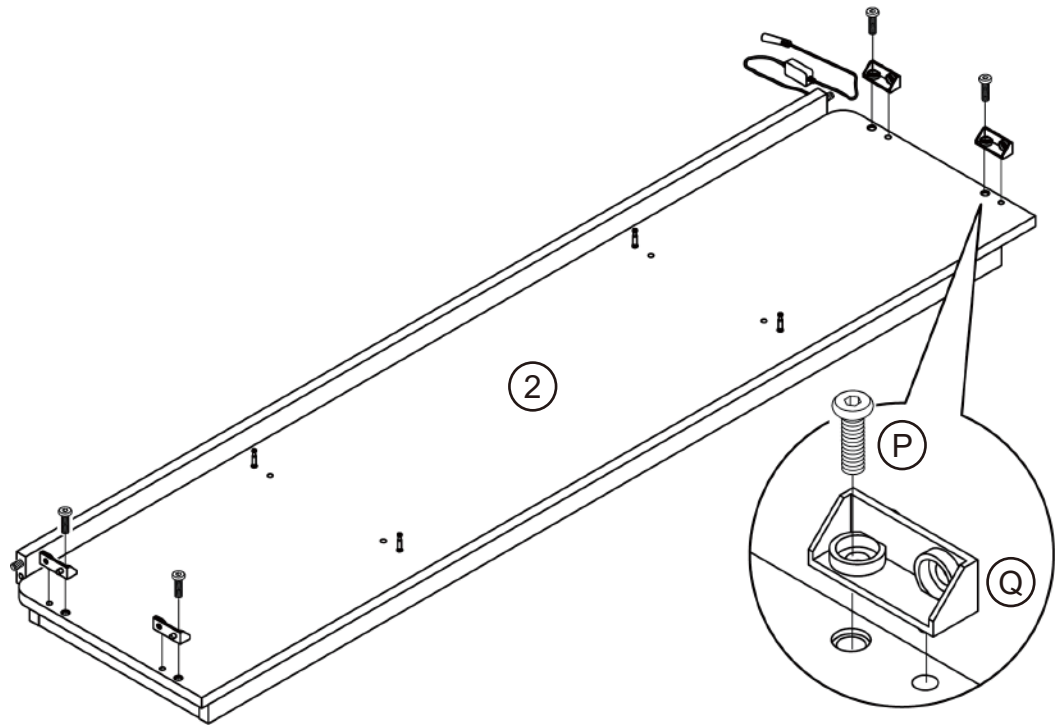
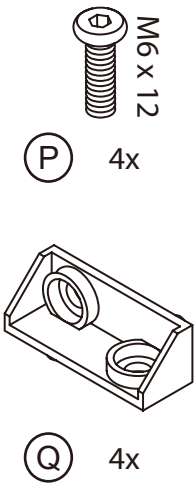
# 9

Insert wood dowels to the sides of the bottom crossbar (2).



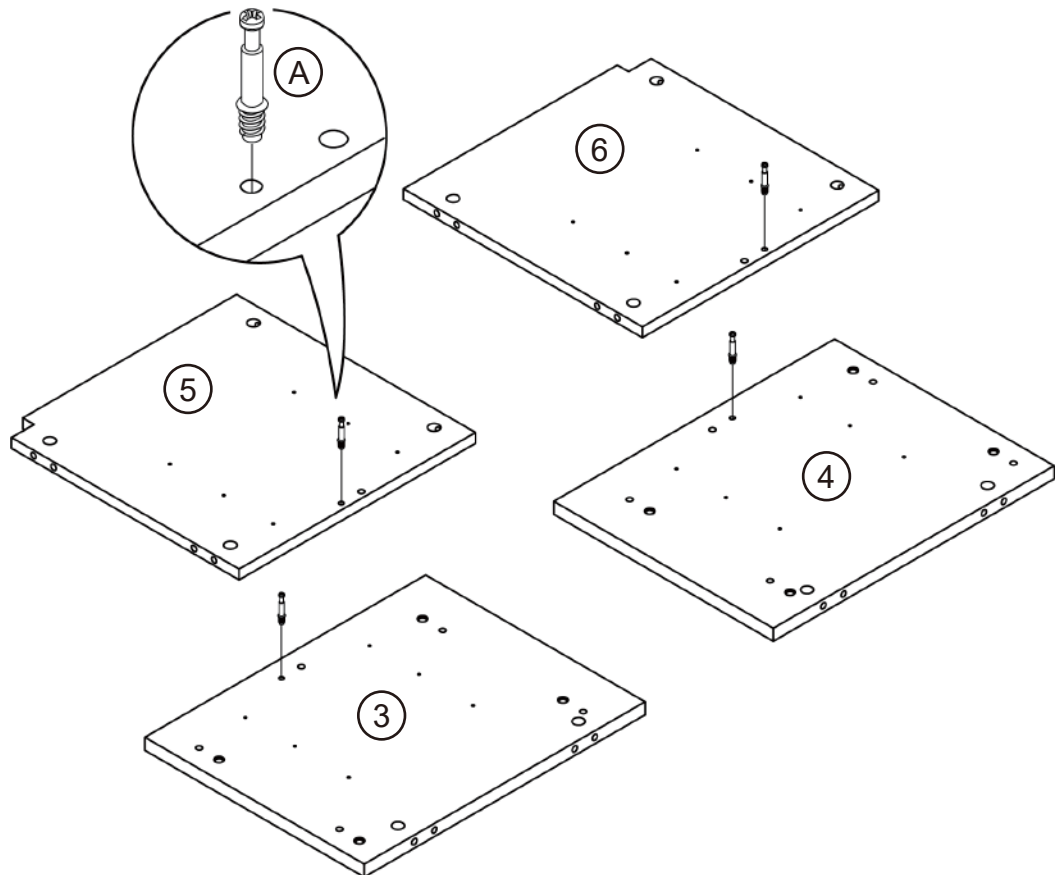
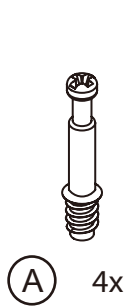
# 10

Attach corner connectors onto the bottom panel (2).



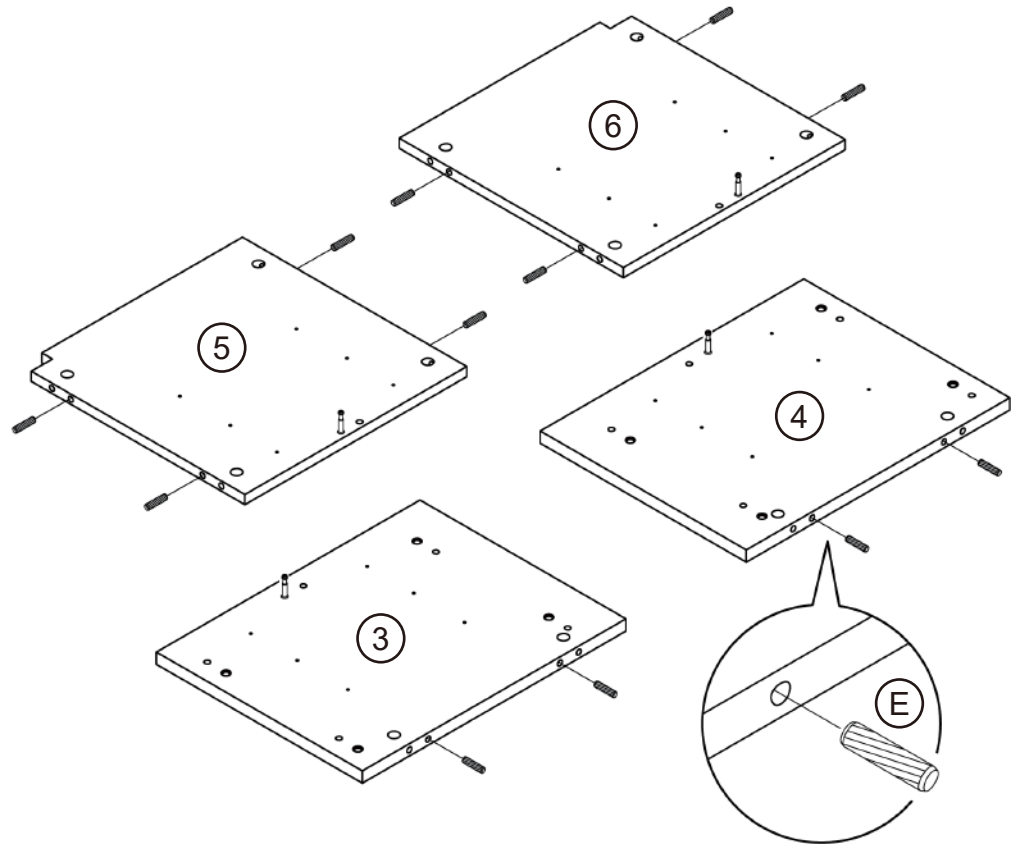
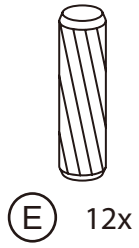
# 11

Attach cam bolts to the side panels (3, 4) and medial panels (5, 6).



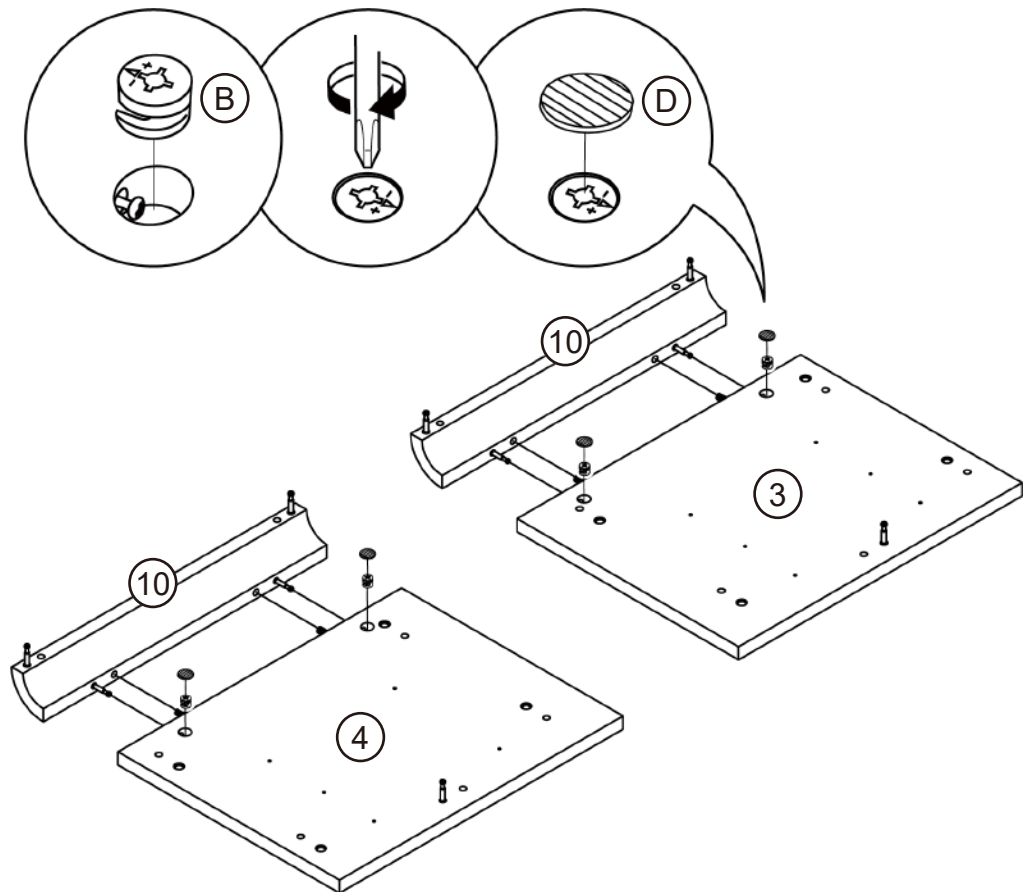
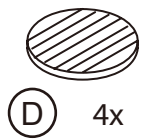
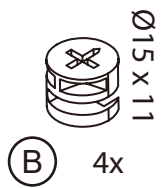
# 12

Insert wood dowels to the side and medial panels (3, 4, 5, 6).



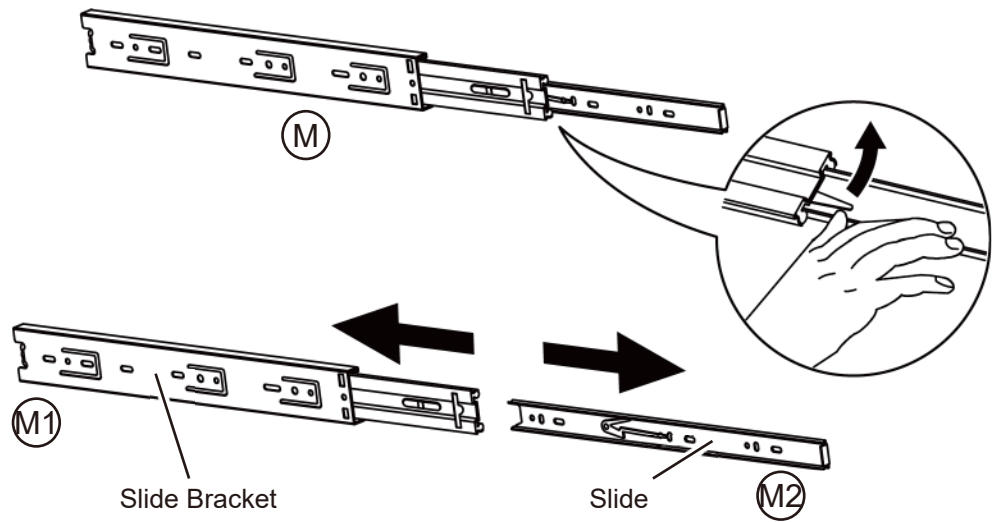
# 13

Assemble the rounded corder strips (10) to the side panels (3, 4).



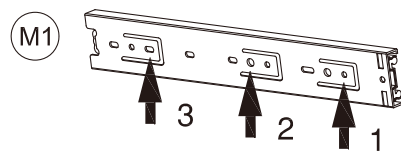
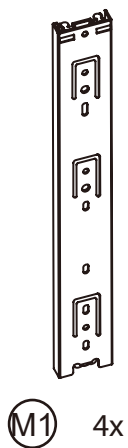
# 14

Detach the slide from the slide bracket.

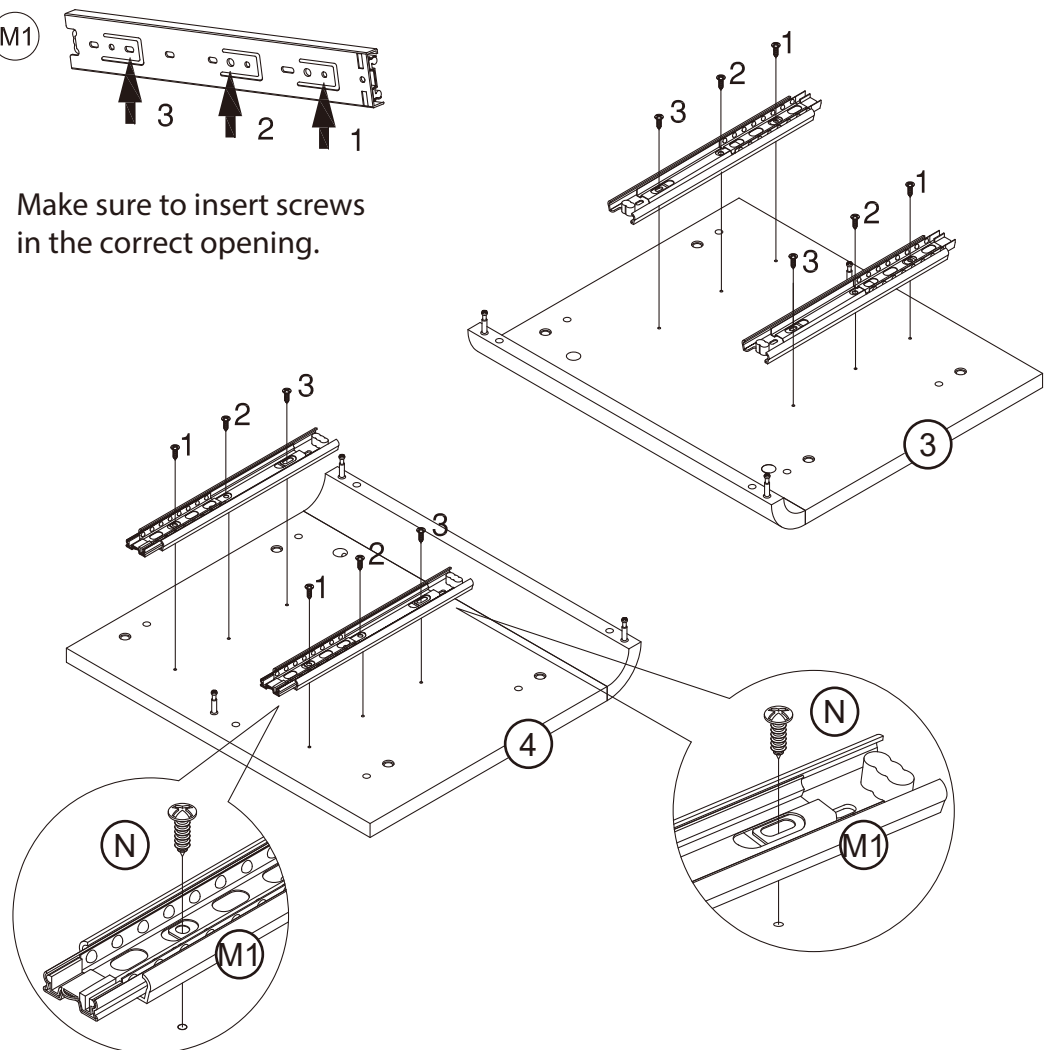


# 15

Attach slide brackets to the side panels (3, 4).

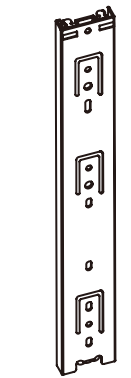


Make sure to insert screws in the correct opening.



# 16

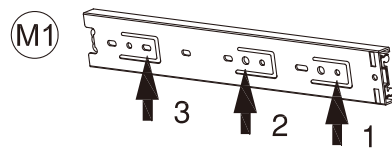
Attach slide brackets to the medial panels (5, 6)



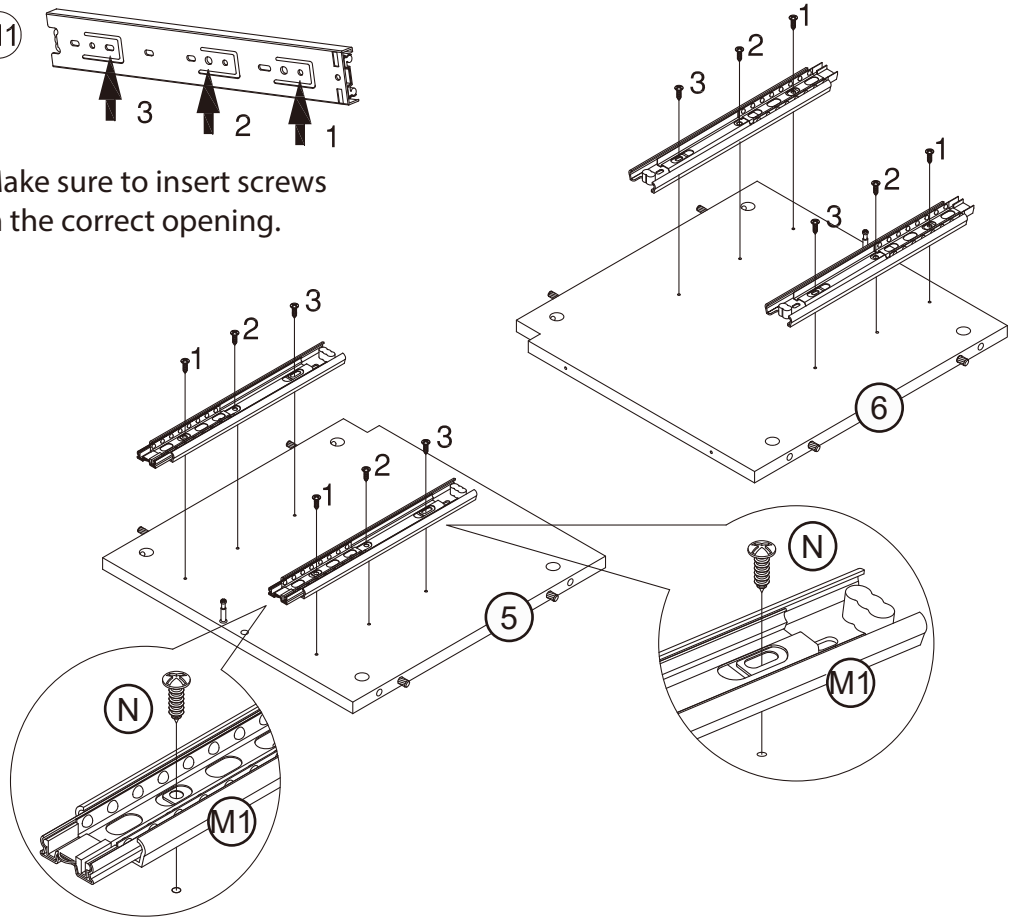
(M1) 4x



(N) 12x



Make sure to insert screws in the correct opening.

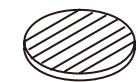


# 17

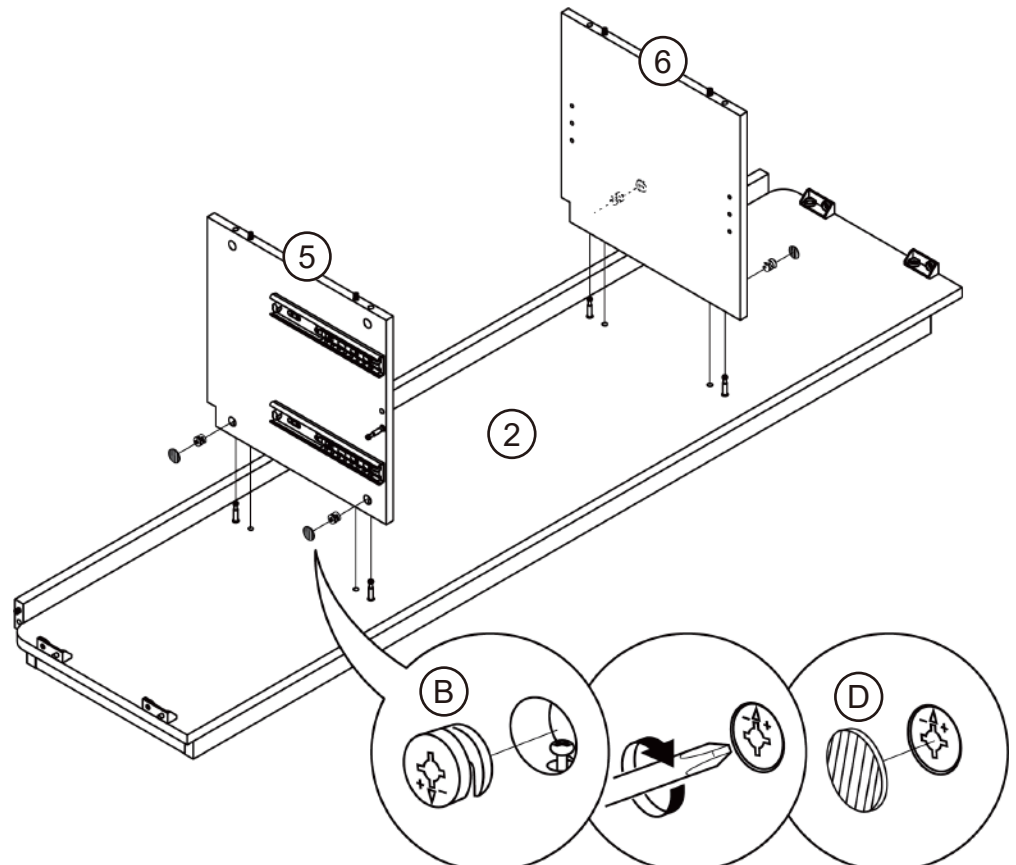
Assemble the medial panels (5, 6) onto the bottom panel (2).



(B) 4x

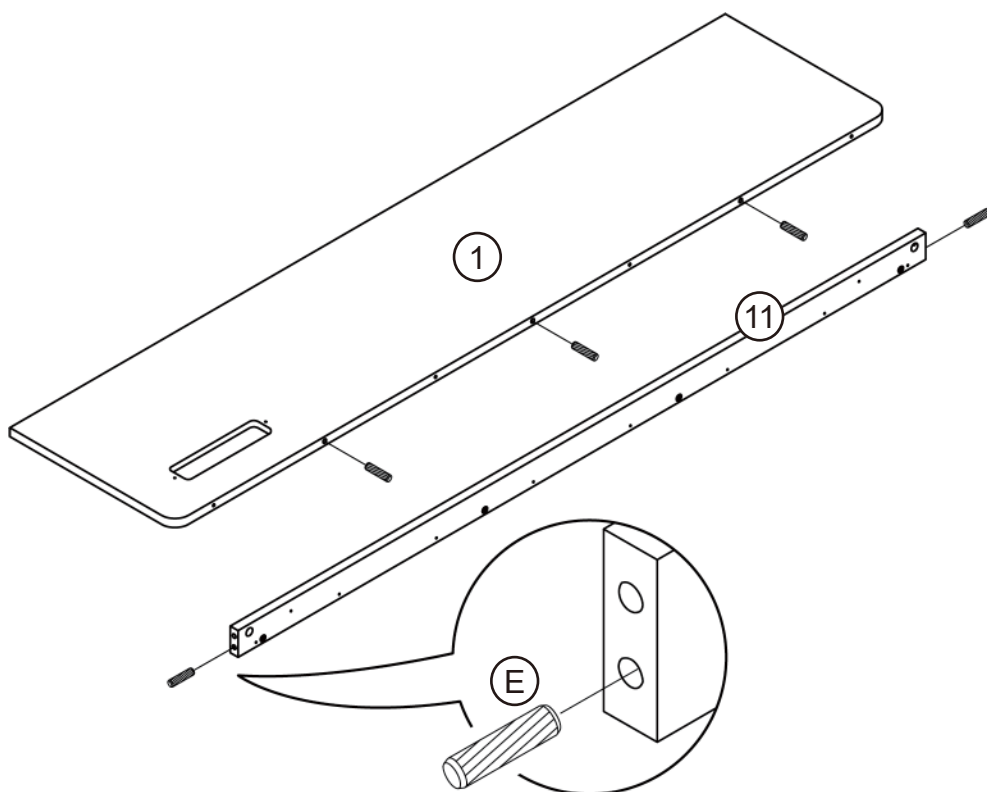
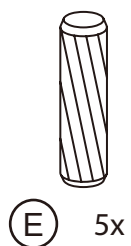


(D) 4x



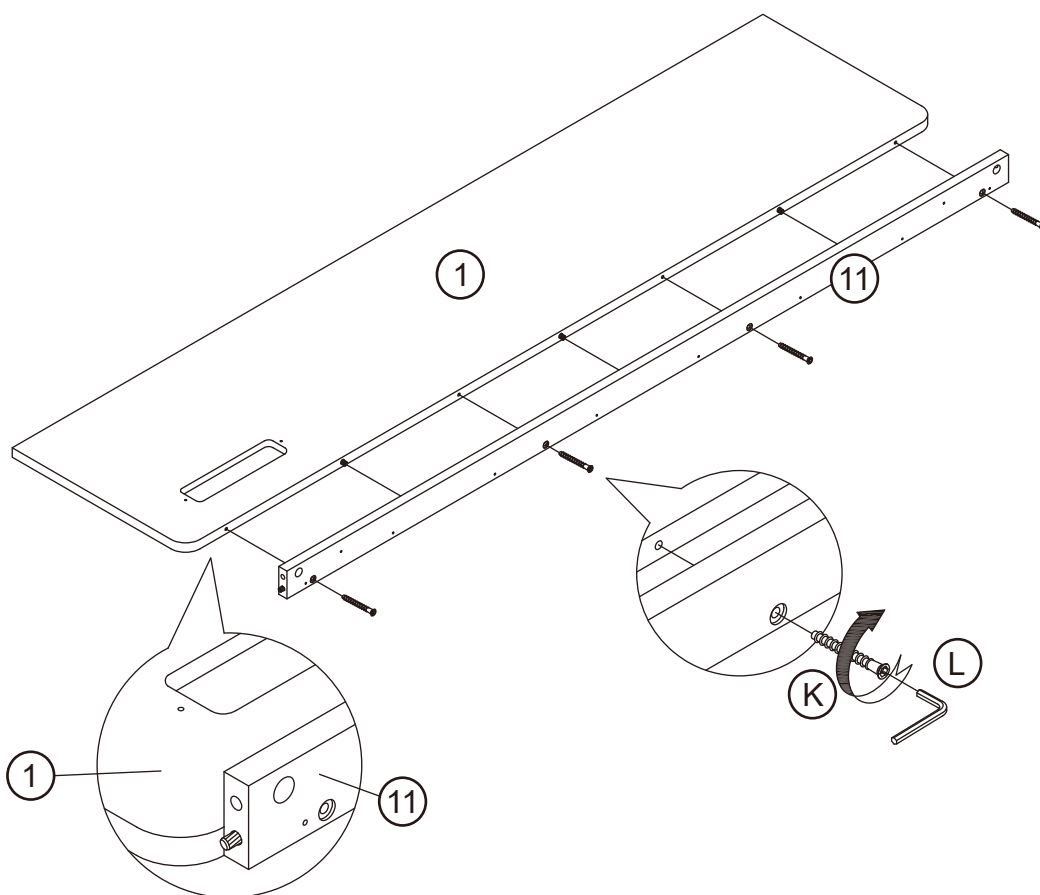
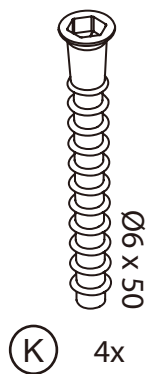
# 18

Insert wood dowels to the top panel (1) and the top crossbar (11).



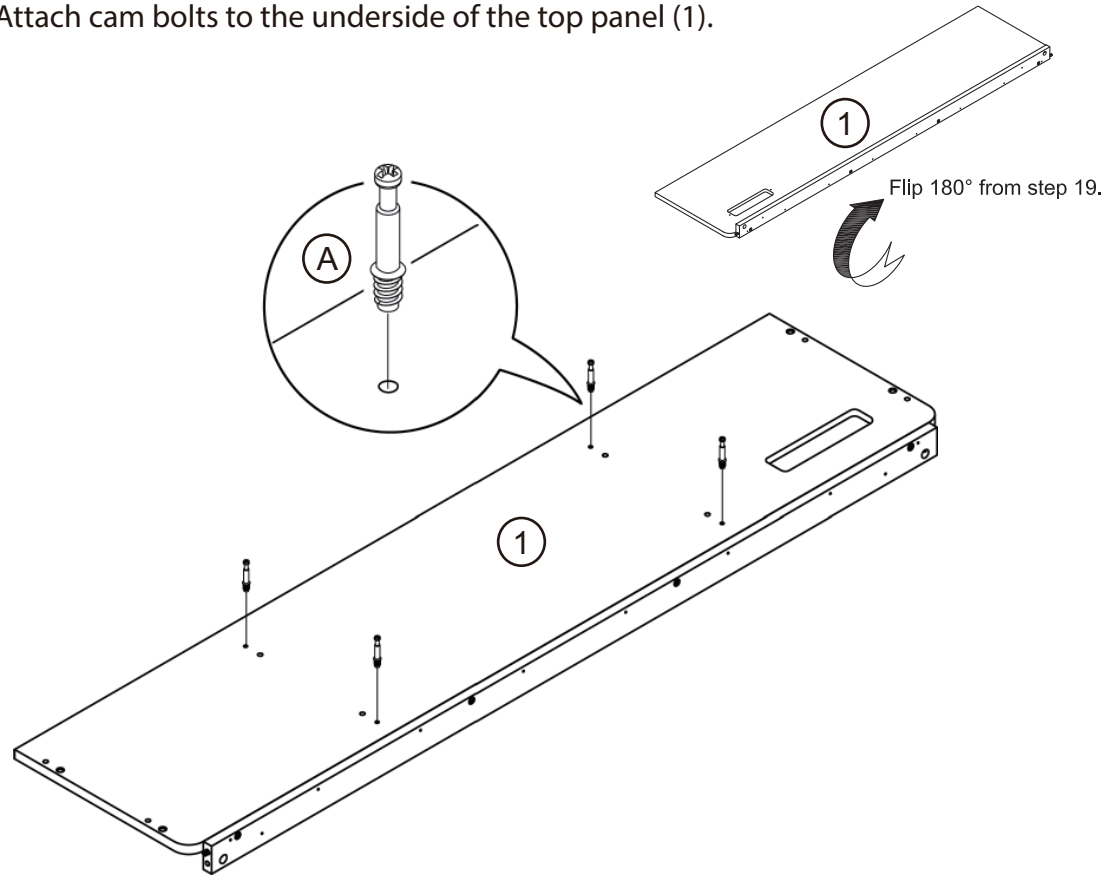
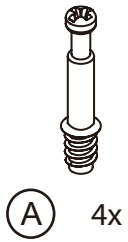
# 19

Assemble the top crossbar (11) to the top panel (1).



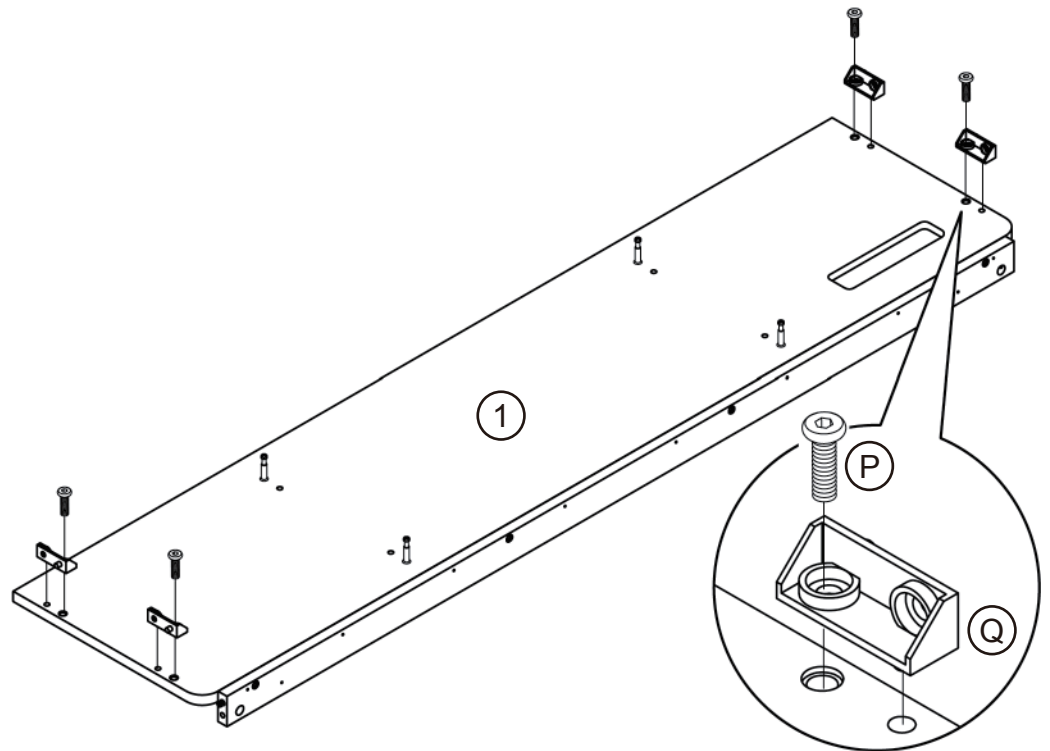
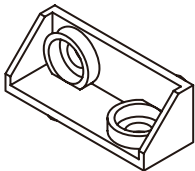
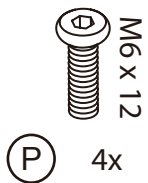
# 20

Attach cam bolts to the underside of the top panel (1).



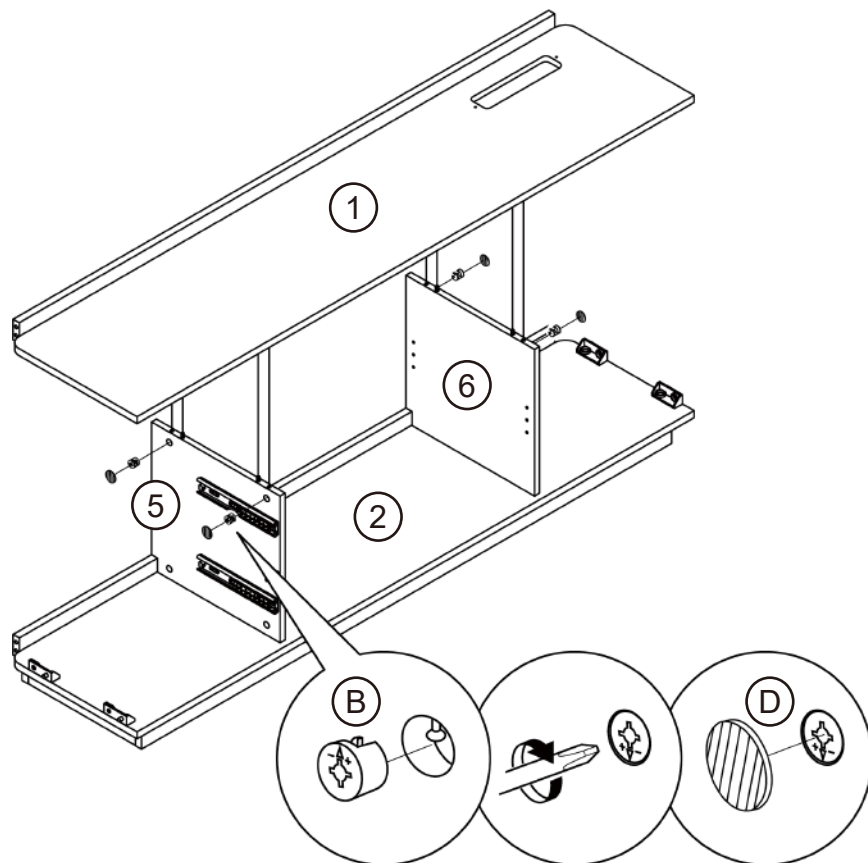
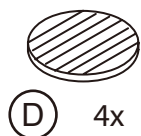
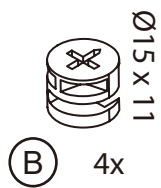
# 21

Attach corner connectors to the underside of the top panel (1).



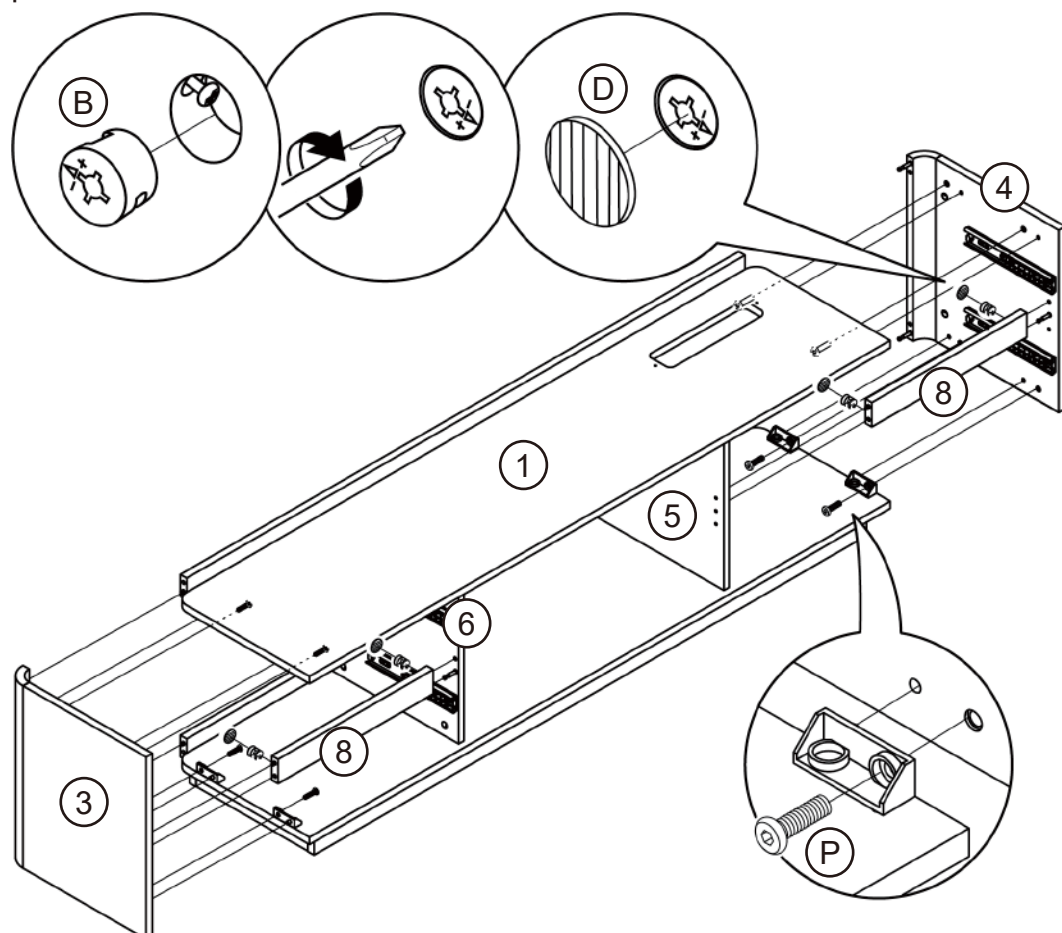
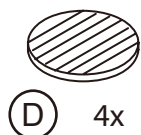
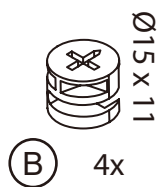
# 22

Assemble the top panel (1) on top of the medial panels (5, 6).



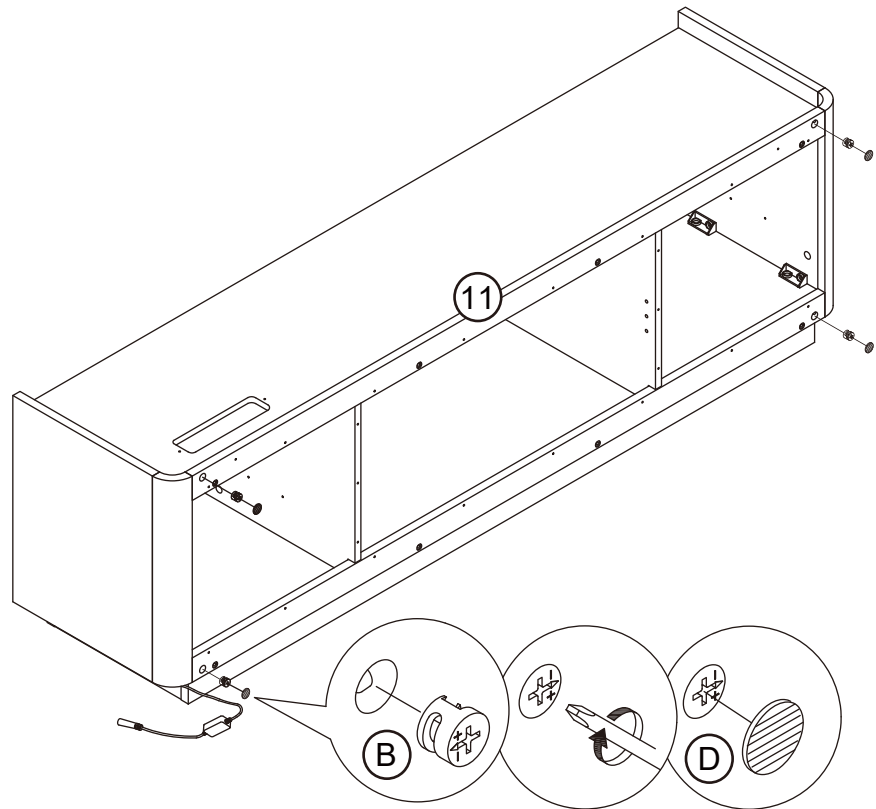
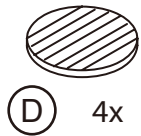
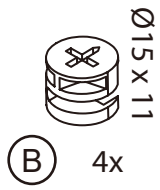
# 23

Attach the short crossbars (8) to the medial panels, then assemble the side panels (3, 4) to the sides of the stand.



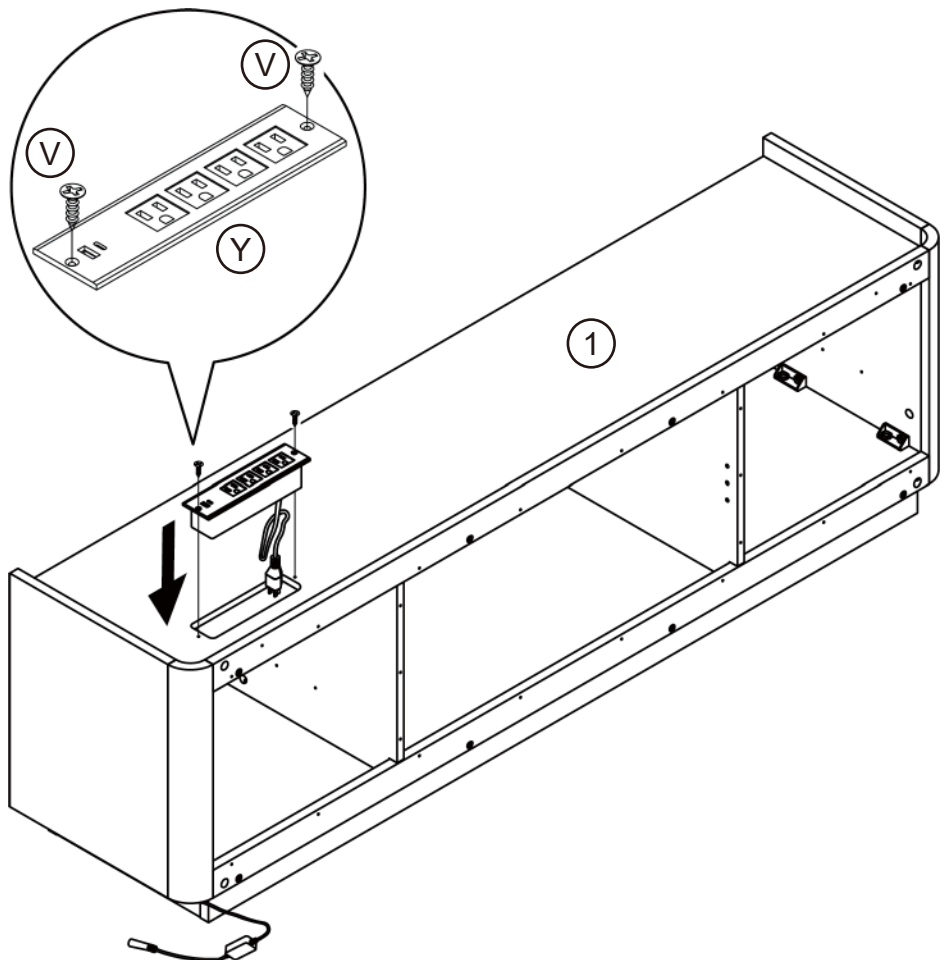
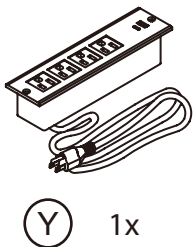
# 24

Secure the top crossbar (11) to the rounded corner strips.



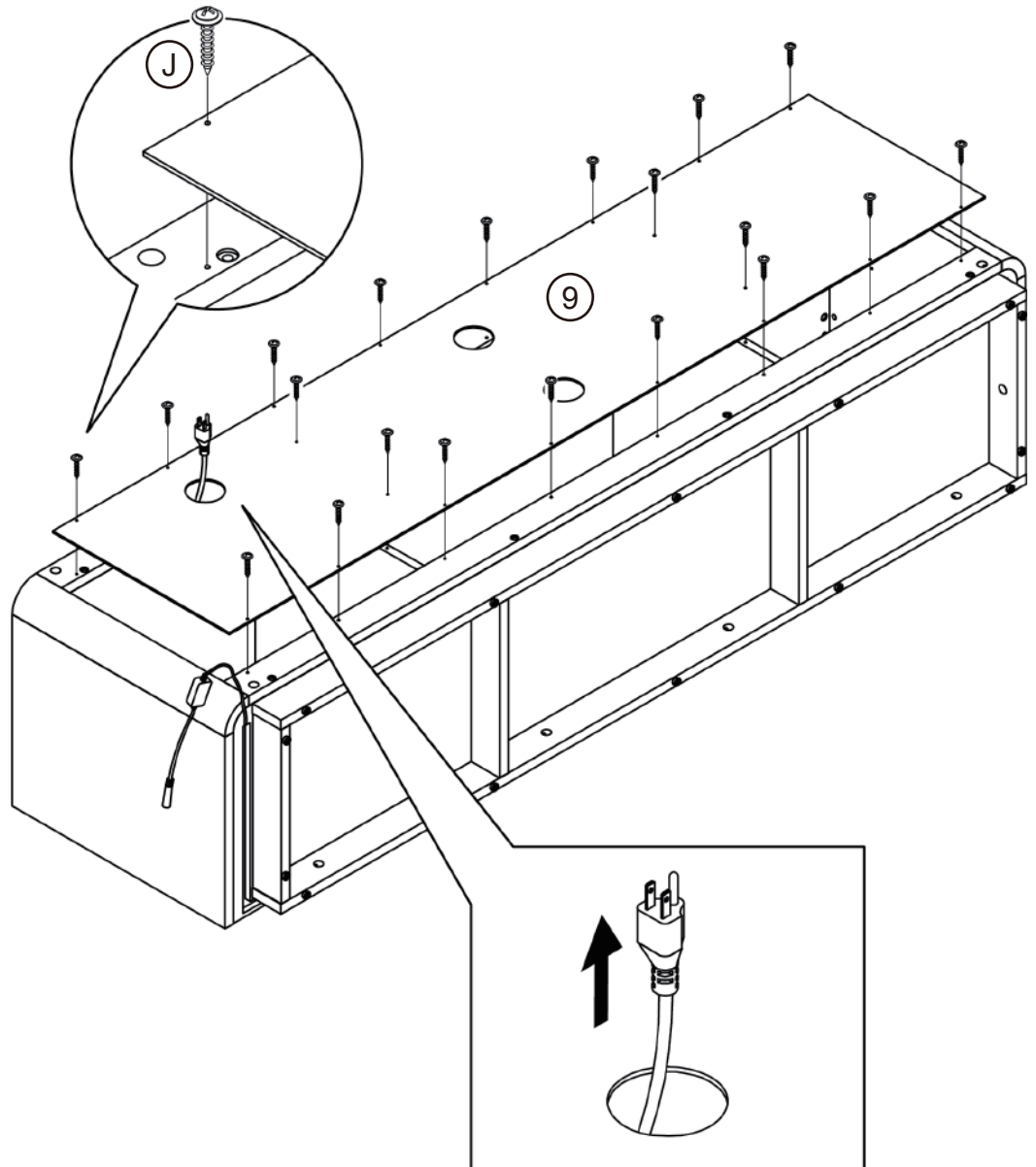
# 25

Attach power hub to the top of the top panel (1).



# 26

Assemble back panel (9) to the back of the stand.



Arrange the power cord through the back panel opening.

# 27

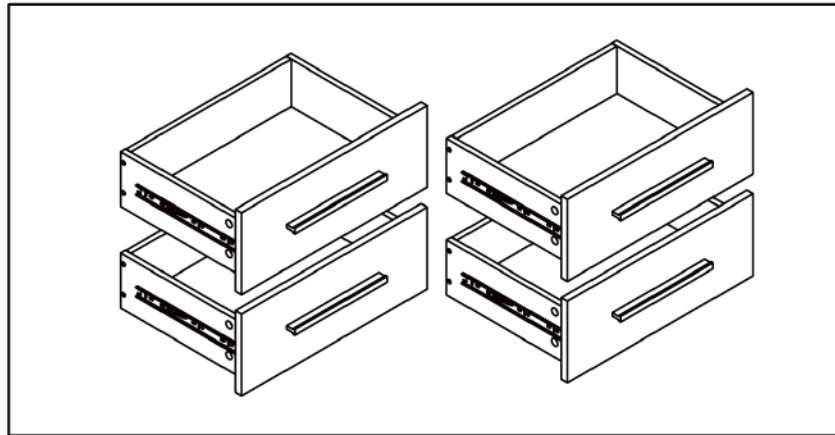
Attach slides to the drawer left and right panels (17, 18).



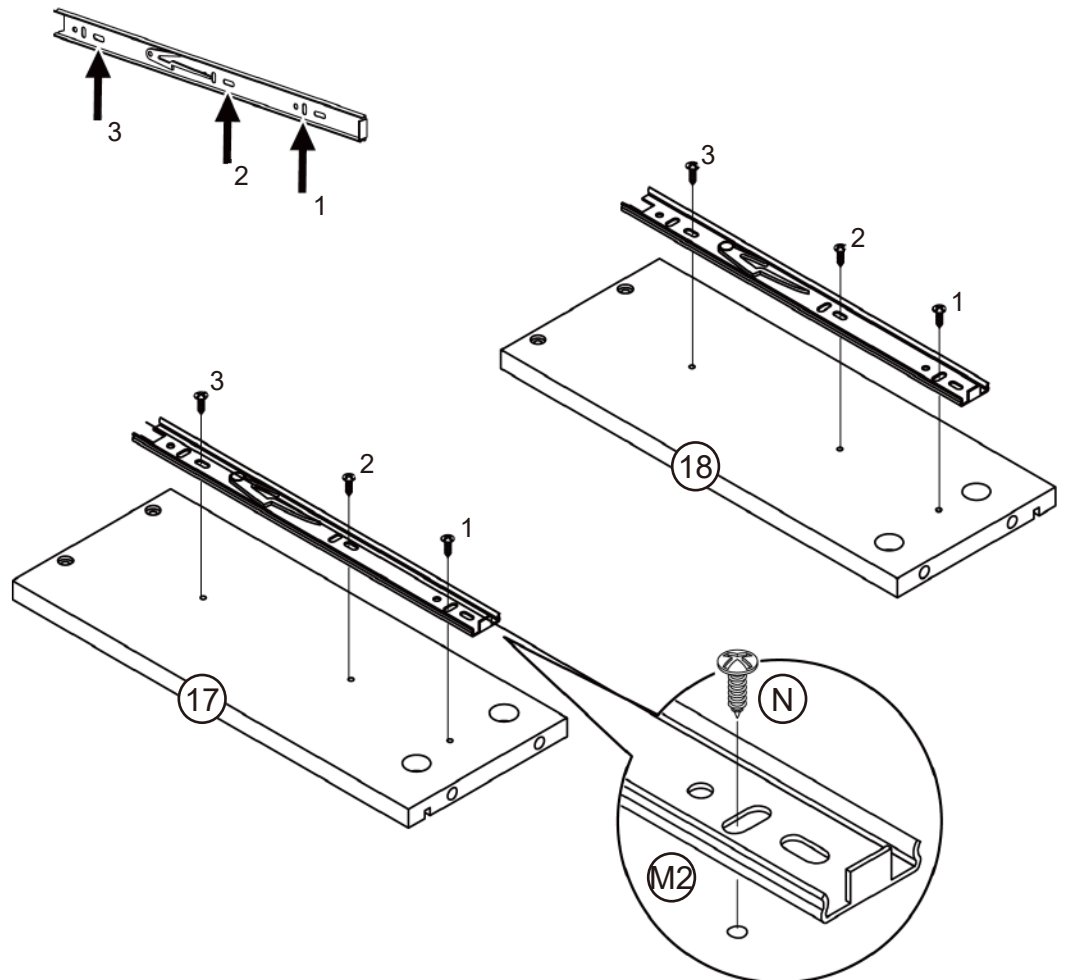
M2 2x



N 6x



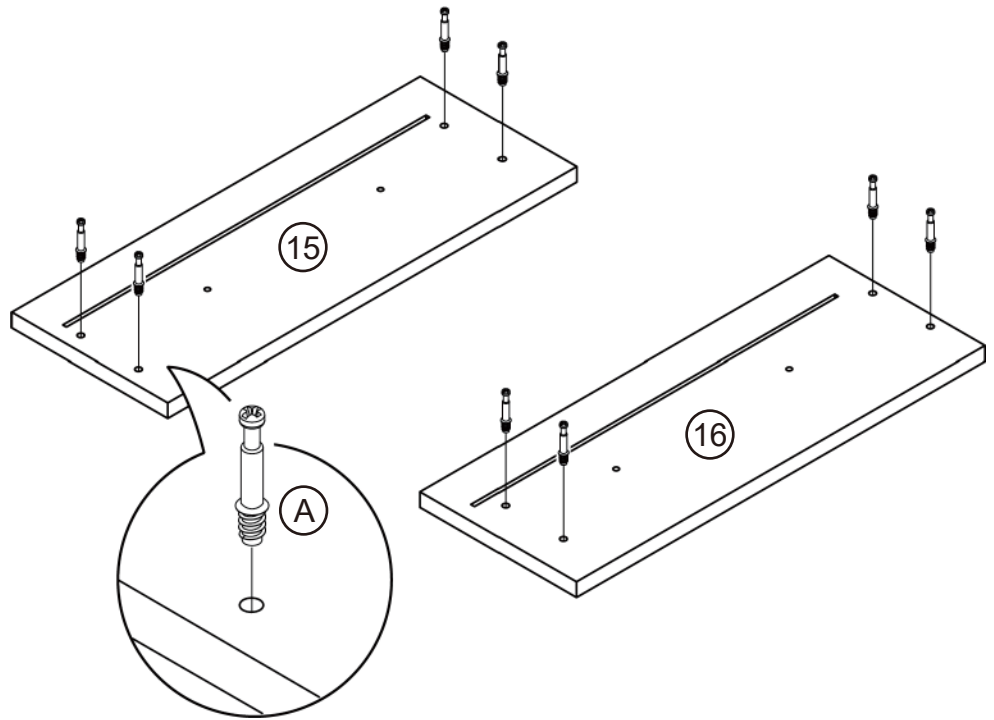
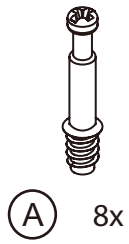
Assemble 2 left drawers and 2 right drawers.



Make sure to insert screws in the correct opening.

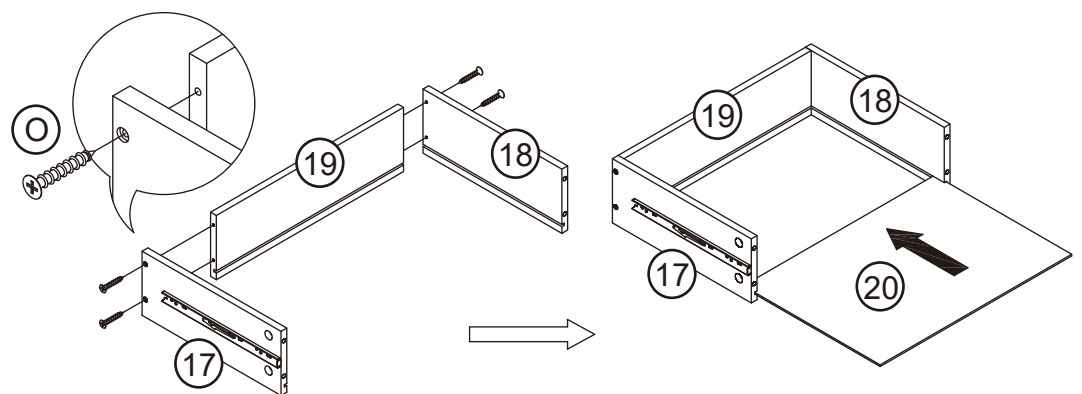
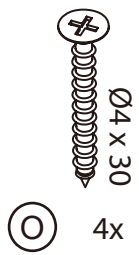
# 28

Attach cam bolts to the drawer front panels (15, 16).



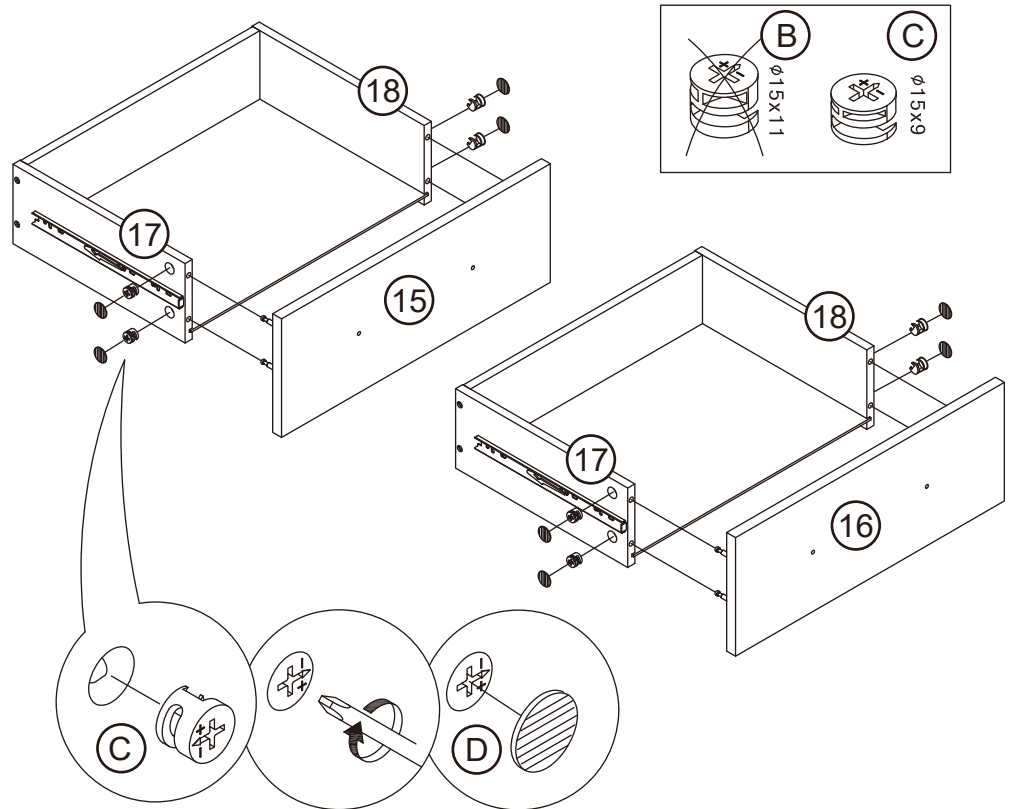
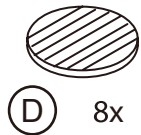
# 29

Assemble the drawer back panel (19) between the left and right panels (17, 18). Then slide in the drawer bottom panel (20).



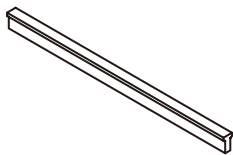
# 30

Assemble the drawer front panels (15, 16) to the drawer tray.



# 31

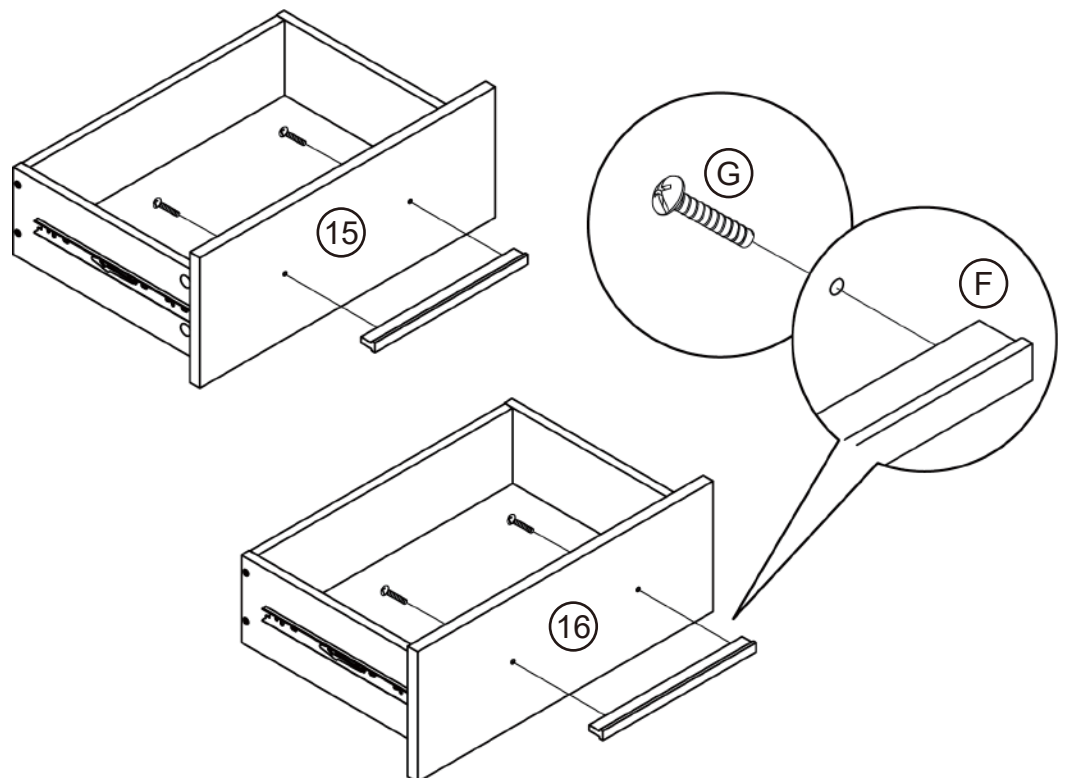
Attach drawer handles to the drawer front panels.



F 2x

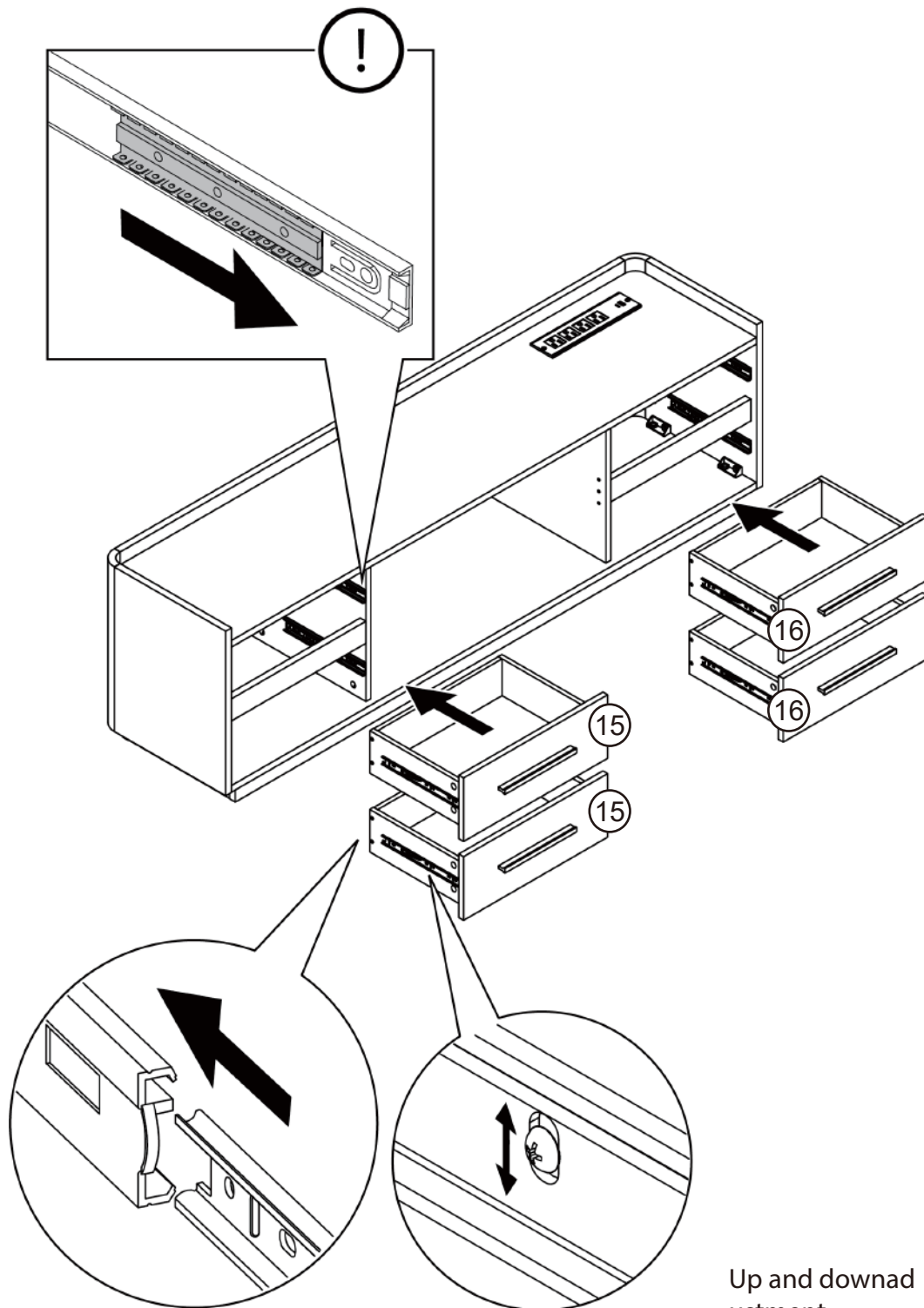


G 4x



Slide the drawers into the stand.

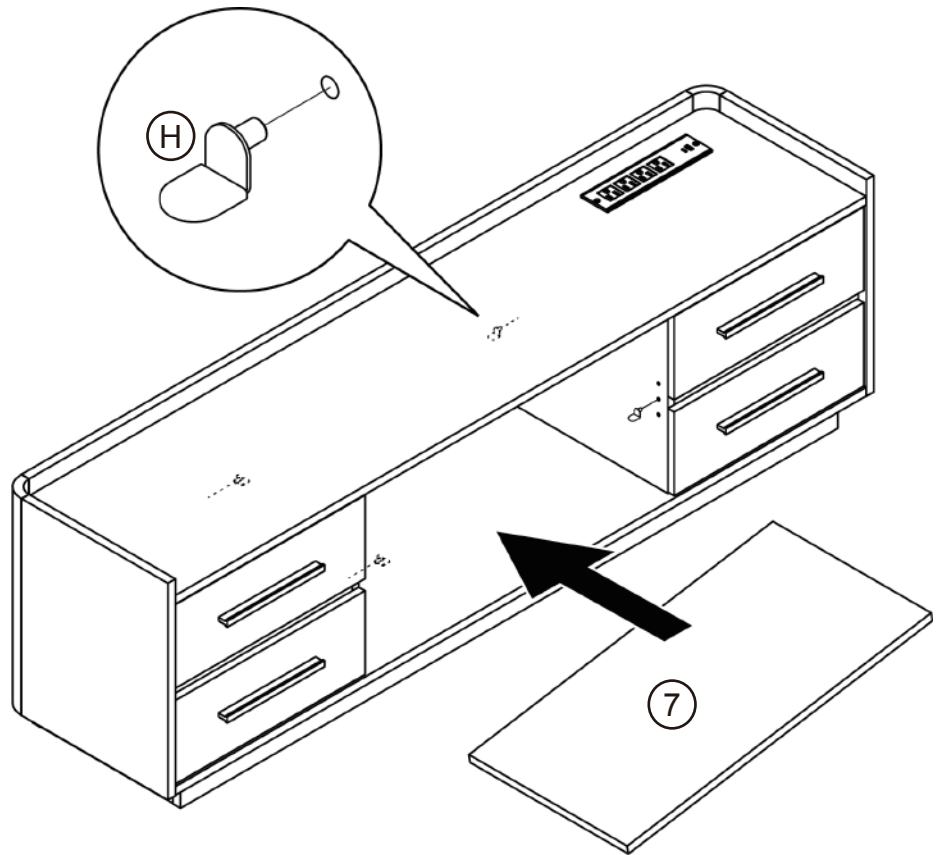
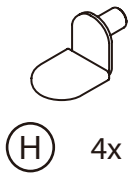
Slide the slider plate to the forward position.



Up and down adjustment by loosening the screw on the drawer slide.

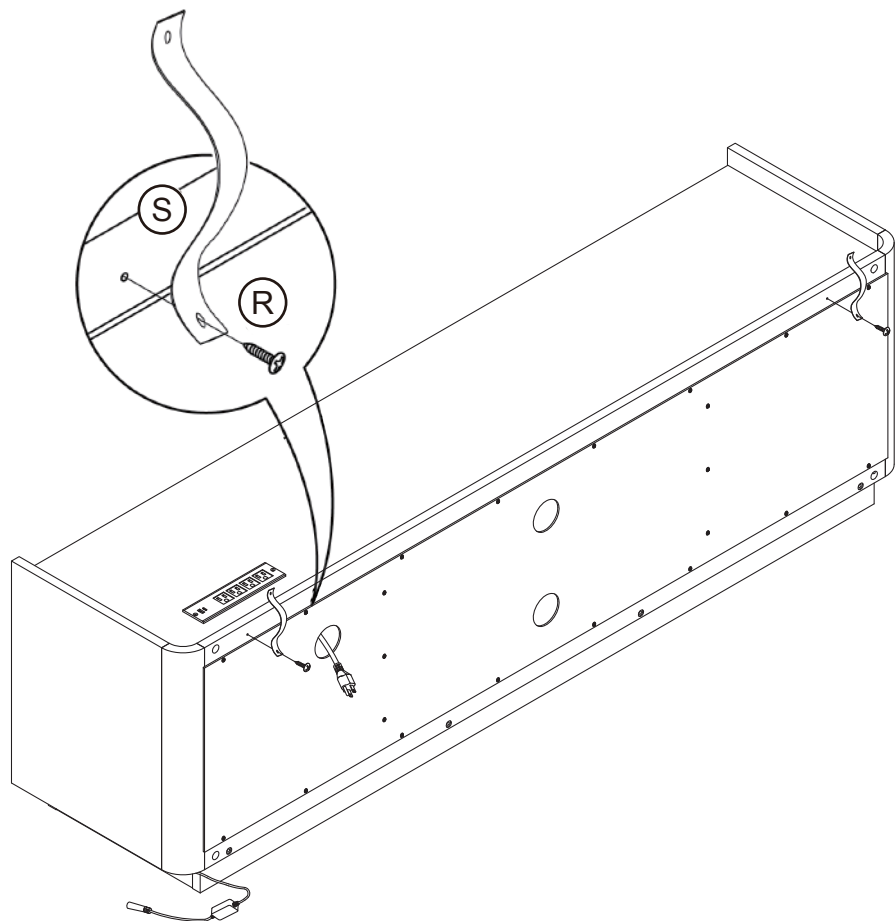
# 33

Insert shelf pegs into the stand and then put on the storage shelf panel (7).



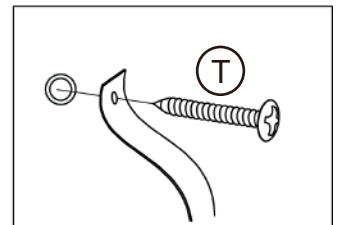
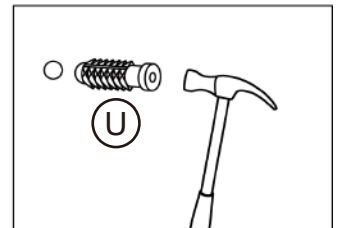
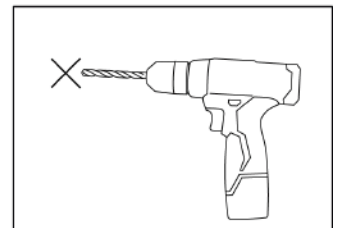
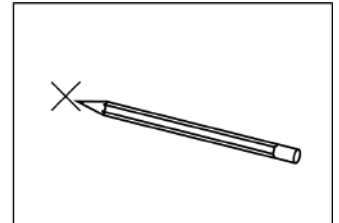
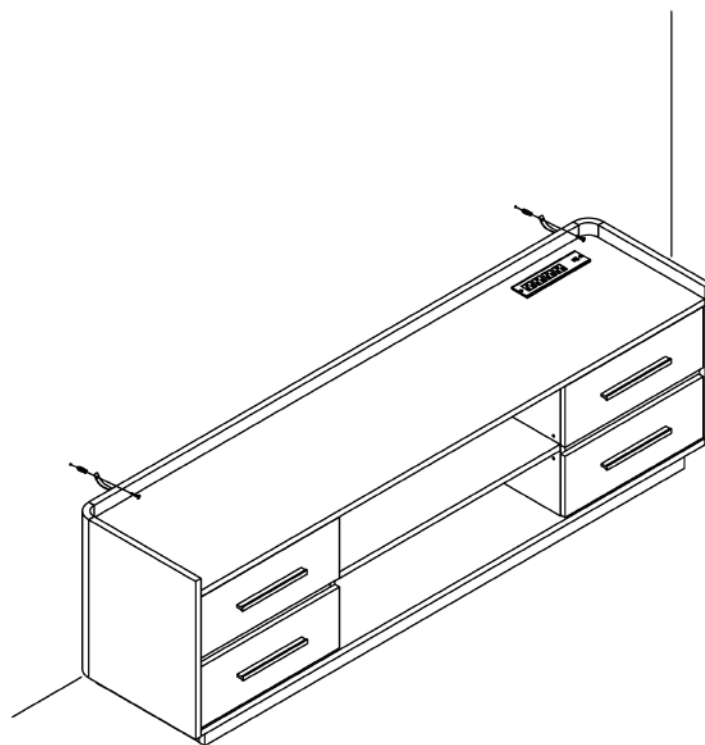
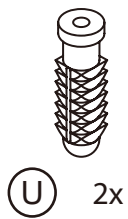
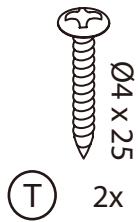
# 34

Attach anti-tipping straps to the back of the stand.



# 35

Affix the stand to a wall.

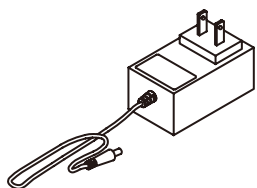


Furniture must permanently fixed to the wall stud with included anti-tipping device to prevent the furniture from tipping over.

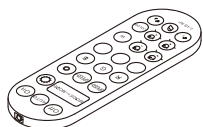
- Mark the drill position on the wall with a pencil.
- Drill a small hole on the marked position.
- Insert a wall anchor into the drilled hole.
- Fixed the anti-tipping strap to the wall with provided screws.

# 36

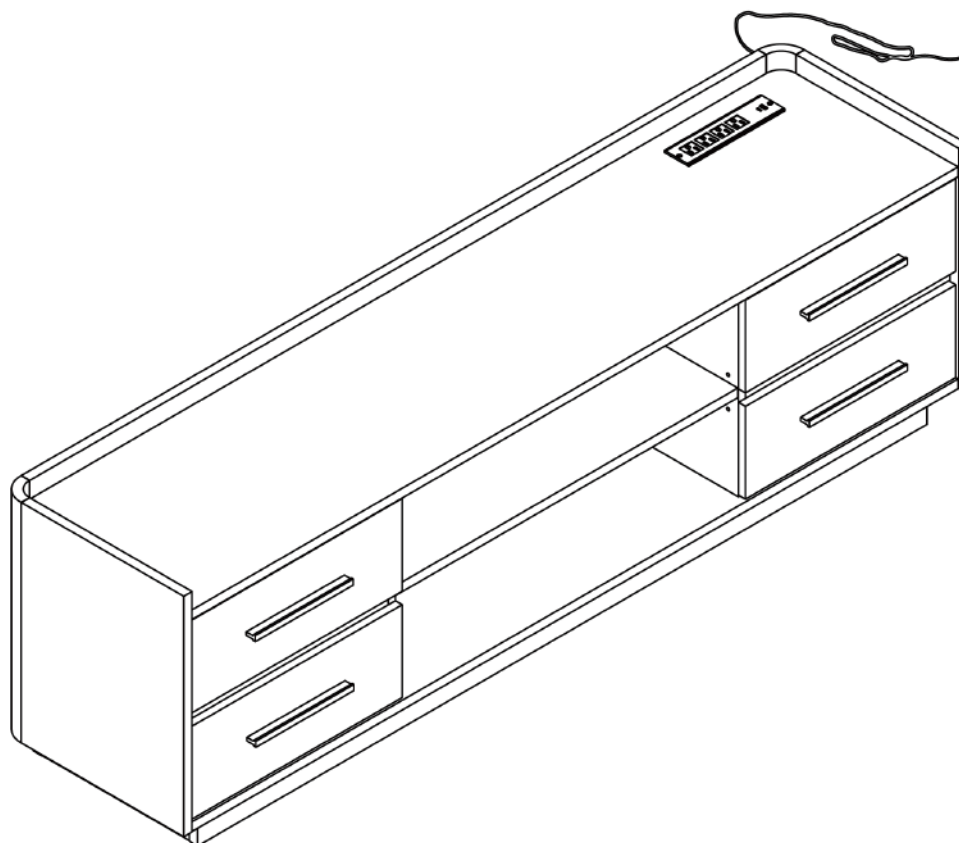
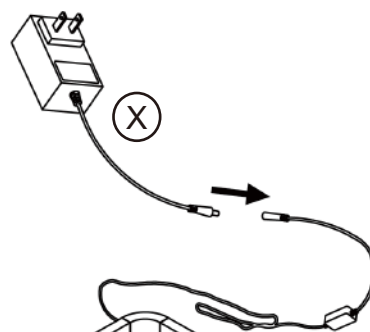
Connect the power adapter to the LED light cable.



(X) 2x



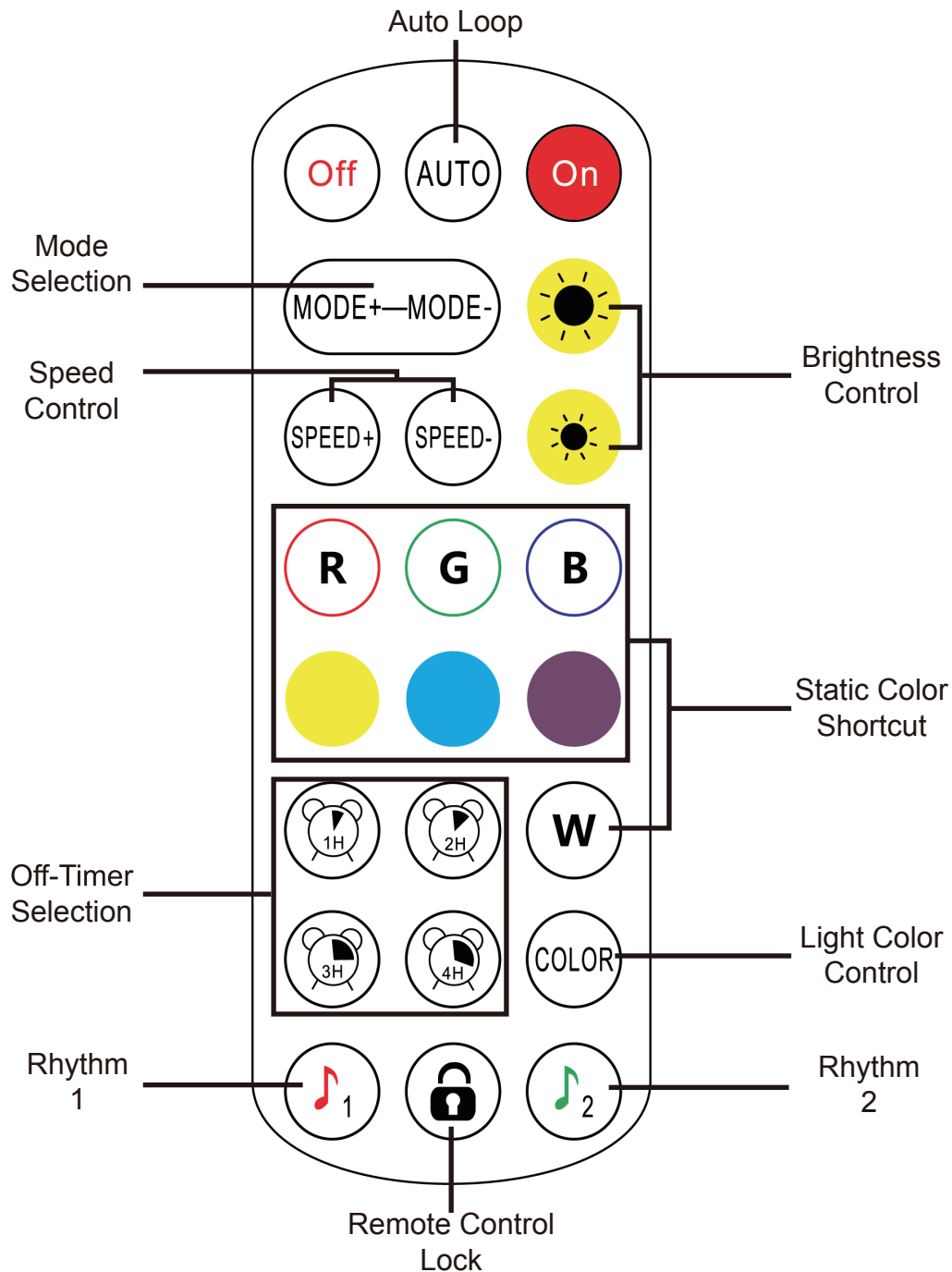
(W) 1x



## YOU'RE FINISHED!



# USER INSTRUCTION (LED LIGHT REMOTE CONTROL)



## MODE

Press the mode button select light effect.

- 3 colors flash
- 7 colors flash
- 3 colors spectrum cycling
- 7 colors spectrum cycling
- mixed colors cycling
- 7 colors strobe

## COLOR CONTROL

Press the color button to select 1 of the 16 static light color options.

# USER INSTRUCTION (LED LIGHT REMOTE CONTROL)

## BRIGHTNESS / SPEED

Press the buttons to change the light brightness and effect speed.  
There are 10 levels of brightness and speed setting.  
White light will flash when the setting is at minimum or maximum.

NOTE: Speed control does not work when the light strip is showing static color.

## AUTO

Press the auto button to automatically cycle and loop all light effects.

## REMOTE CONTROL LOCK

Press the lock button to lock any remote control input.  
When lock function is enabled, only the ON, OFF and lock button will be functional.  
Press the lock button again to unlock the remote control.

## OFF-TIMER

Select between 1, 2, 3, or 4 hours off timer.  
The LED light will turn off after the set time when enabled.

## RHYTHM 1

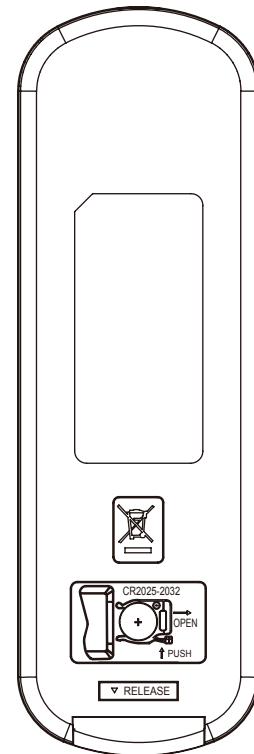
Press the button to activate slow light effect which sync to surrounding music.

## RHYTHM 2

Press the button to activate fast light effect which sync to surrounding music.

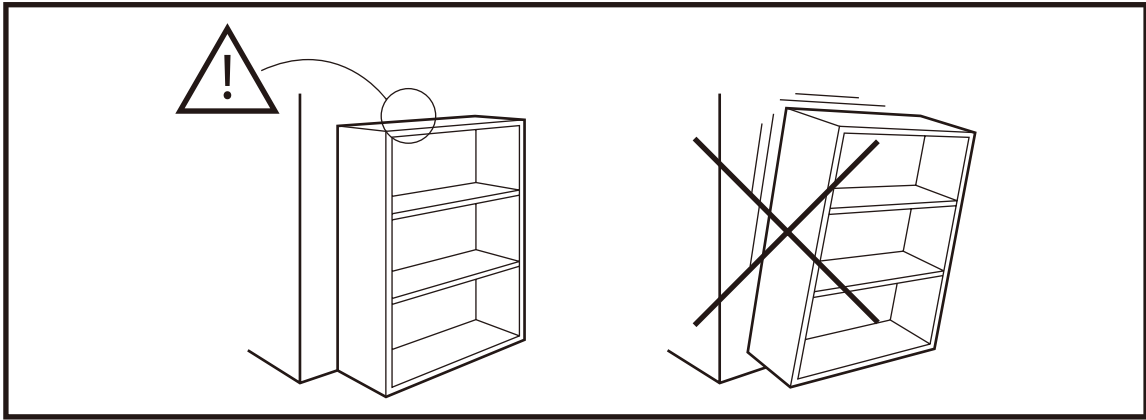
## Technical Parameters:

Working temperature:  $-20^{\circ}\text{C}$  -  $60^{\circ}\text{C}$  /  $-4^{\circ}\text{F}$  -  $140^{\circ}\text{F}$   
Power Supply Voltage: DC5 - 24v  
Output: 3 Loops  
Connection Mode: Wireless 2.4G  
Remote Control Distance: 8m - 15m  
Battery: CR2025



## ⚠ CAUTION / WARNING

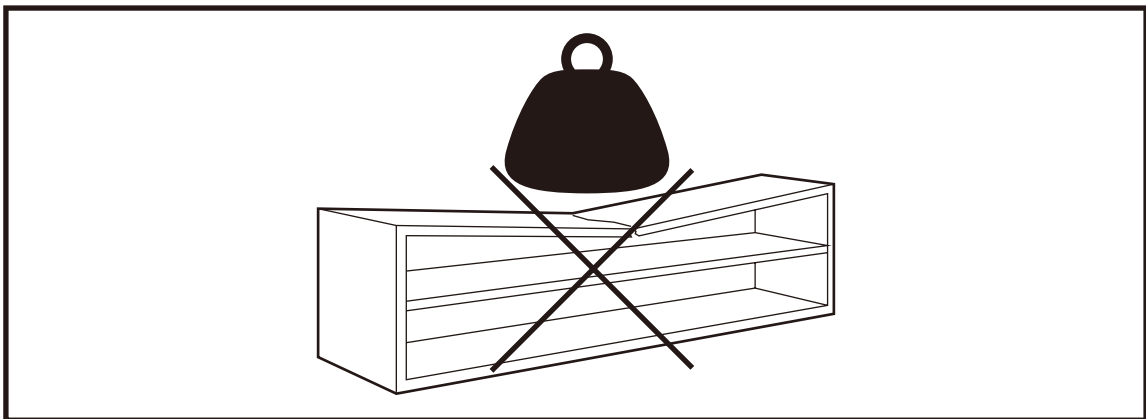
Dispose old / used battery at a suitable recycling point or according to local regulations.  
DO NOT ingest battery. If accidentally swallowed, seek medical help immediately.



## Warning

Serious or fatal crushing injuries may occur if the furniture tip-over. Furniture must permanently affixed to the wall with included anti-tipping device in order to prevent the furniture from tipping over.

Different wall materials requires different types of wall anchors or screws. Use a suitable wall anchors or screws for your specific wall in order to secure the stability and load bearing capacity of the furniture. If you are uncertain about which type of device to use, please contact us or your local hardware store.



## Warning

Only place items on top of the product if they meet the recommended size and weight limits.

Climbing on, stepping on, or placing overweighted objects on the product may cause property damage and/or injuries.

Items placed onto this product must be resting on a support surface without hanging over the edges.

## WARNING

For use with televisions weighing 80lbs (36.2kg) or less. Use with heavier televisions may result in instability, causing tip over resulting in death or serious injury.

Death or serious injury may occur when children climb on audio and/or video equipment furniture. A remote control or toys placed on the furnishing may encourage a child to climb on the furnishing and as a result the furnishing may tip over on to the child.

Relocating audio and/or video equipment to furniture not specifically designed to support audio and/or video equipment may result in death or serious injury due to the furnishing collapsing or over turning onto a child.

## NOTICE

The recommended maximum width of the television is 75 inches. Do not exceed the maximum load capacity.

This product is designed for flat panel TVs only.

## FURNITURE CARE AND MAINTENANCE

### Medium - Density Fiberboard

Thank you for your purchase. We want your item to last as long as possible. To ensure the product gives you years of longevity, please follow the recommendations in this care and maintenance guide.



#### MAINTENANCE

- Tighten all bolts and screws again within the first 2 weeks of assembly.
- Check the tightness of all bolts every 2 months and tighten them if necessary.



#### CLEANING

- Clean the surface of the MDF (medium - density fiberboard) with a lightly dampened cloth.
- A small amount of mild soap can be used if necessary.
- Dry the surface immediately after cleaning.

⚠ DO NOT use bleach or alcohol to clean the surface.

⚠ DO NOT apply wood treatment on parts made with MDF.

MDF will swell and distort when exposed to water damage. Make sure to dry the furniture immediately after cleaning.

### ⚠ WARNING

The manufacturer and seller are not responsible for any and all liability relating to personal injury, property damage or losses, whether direct, indirect, or incidental, resulting from the incorrect attachment, improper use, inadequate maintenance, unapproved modification or neglect of this product.

© All copyright of this document belongs to  
This document may not be printed, translated, reproduced, or distributed in whole or in  
part without written permission from

# WARRANTY

BELLEZE products come with a 1-year warranty from the date of delivery.  
**Register your product on our website to enjoy our limited lifetime warranty!**

## AFTER-SALE SERVICE



Encounter any difficulties or missing parts?



Contact us at



We will send you replacement.



Hassle free!  
No need to worry about repackaging and sending your item back.

**We hope you enjoy your new furniture!**  
**Share your photos on Instagram and tag us**

---

**FOLLOW US:**

**CONTACT INFO:**

---