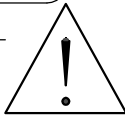
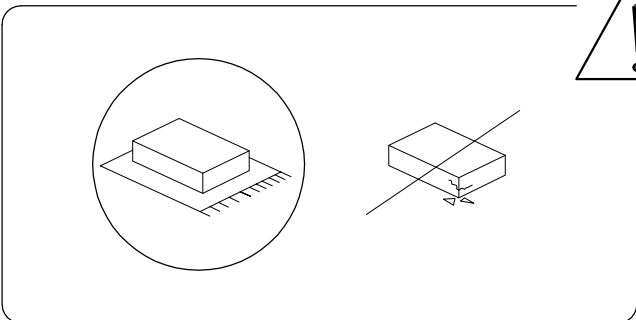
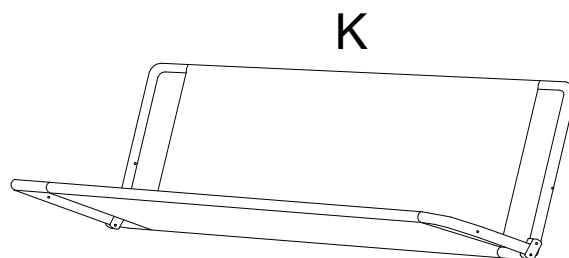
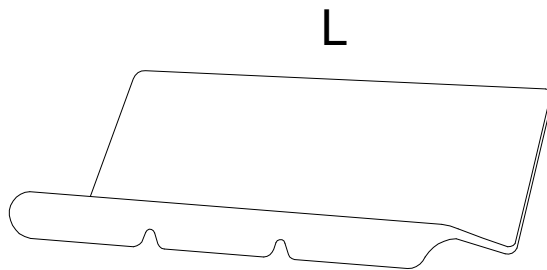
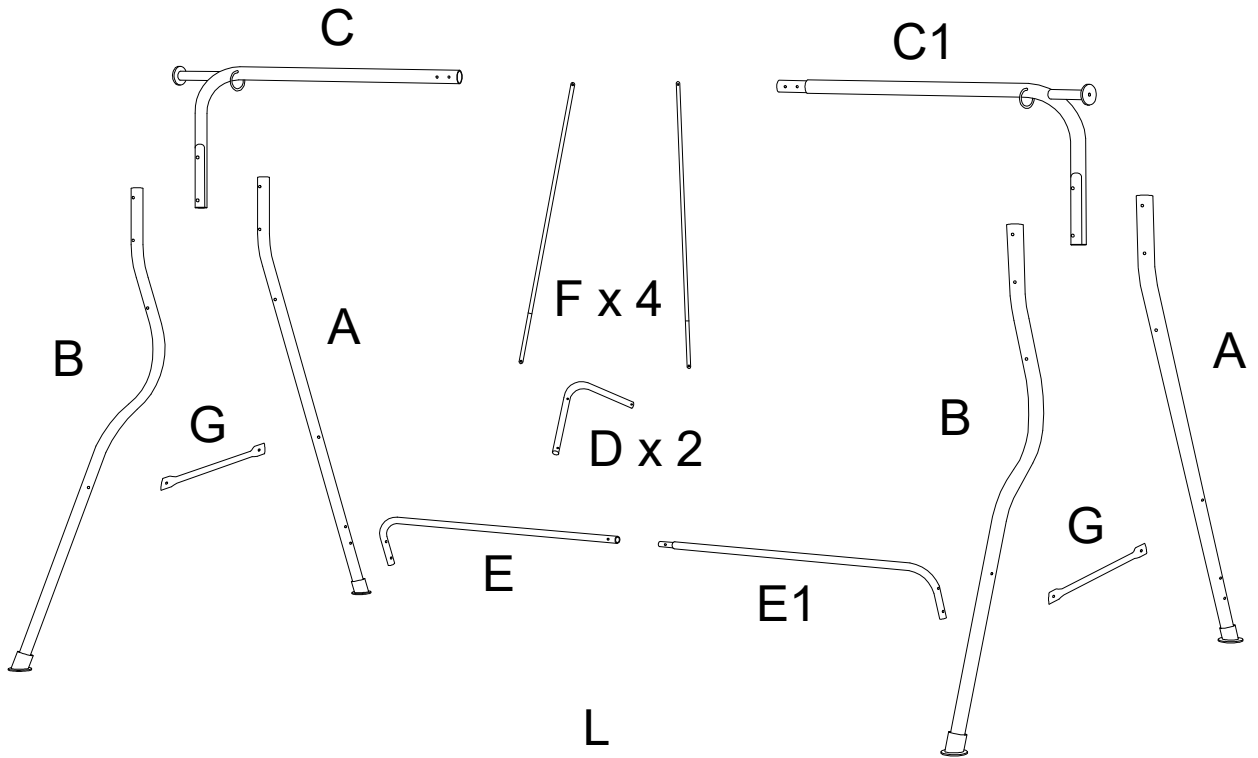
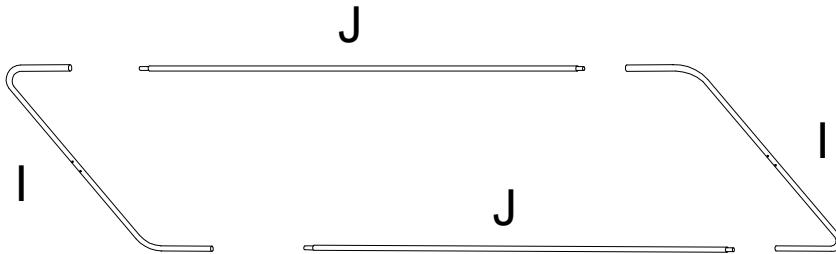
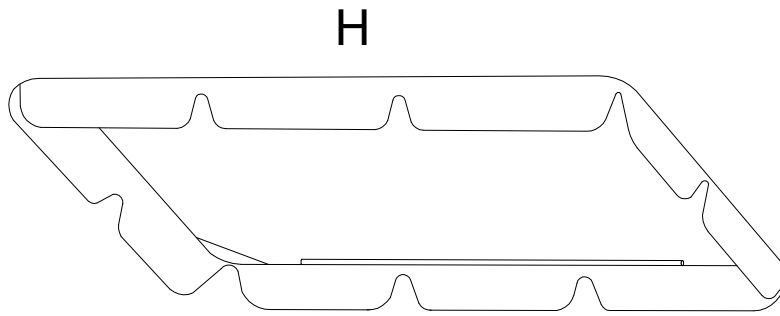


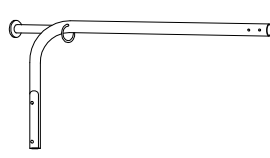
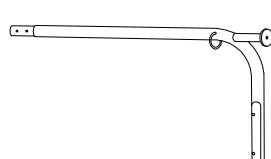
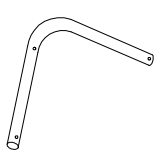



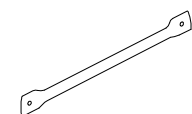
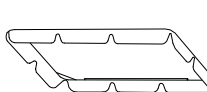
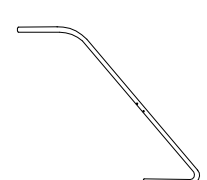


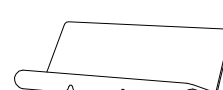


90'

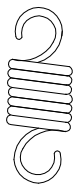


2



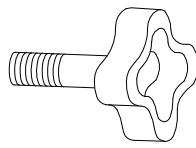
|   |  |   |  |
|---|--|---|--|
| <p><b>A</b></p>  <p>x 2</p>    | <p><b>B</b></p>  <p>x 2</p>   | <p><b>C</b></p>  <p>x 1</p>  |  |
| <p><b>C1</b></p>  <p>x 1</p>  | <p><b>D</b></p>  <p>x 2</p>  | <p><b>E</b></p>  <p>x 1</p>  |  |
| <p><b>E1</b></p>  <p>x 1</p> | <p><b>F</b></p>  <p>x 4</p> | <p><b>G</b></p>  <p>x 2</p> | <p><b>H</b></p>  <p>x 1</p> |
| <p><b>I</b></p>  <p>x 2</p>  | <p><b>J</b></p>  <p>x 2</p> | <p><b>K</b></p>  <p>x 1</p> | <p><b>L</b></p>  <p>x 1</p> |

M



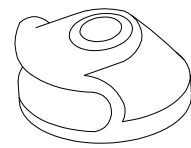
x 2

N



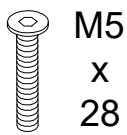
x 2

O



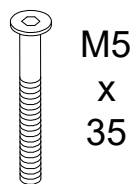
x 2

P



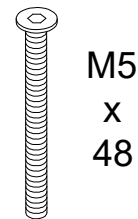
x 1

Q



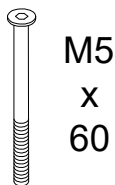
x 2

R



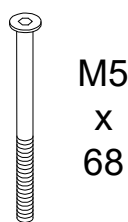
x 6

S



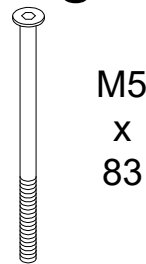
x 4

T



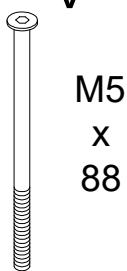
x 4

U



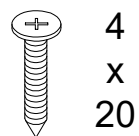
x 2

V



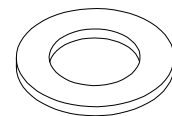
x 4

W



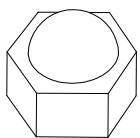
x 4

X



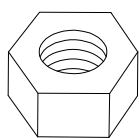
x 23

Y



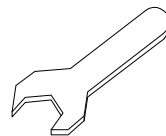
x 27

Z



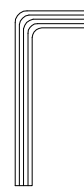
x 23

Г





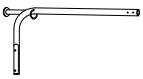
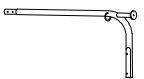
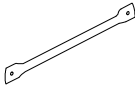



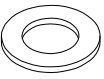
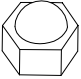
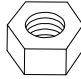

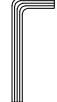
x 1

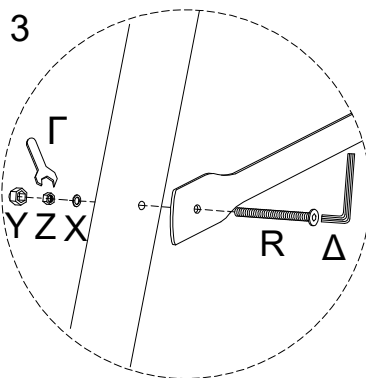
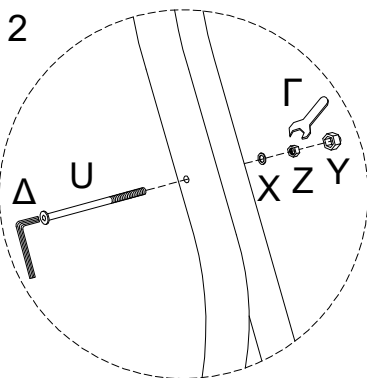
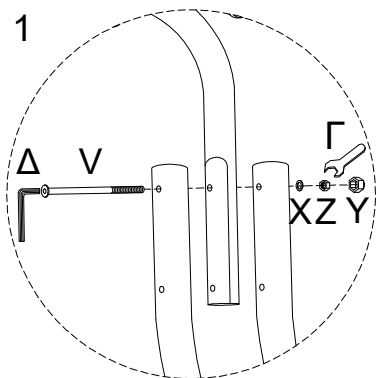
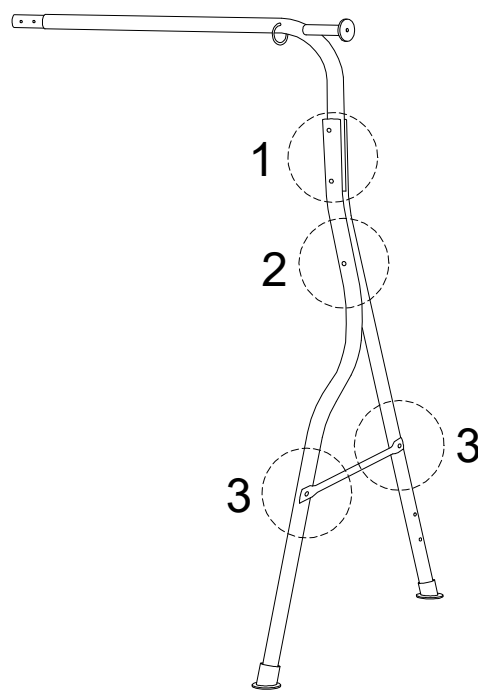
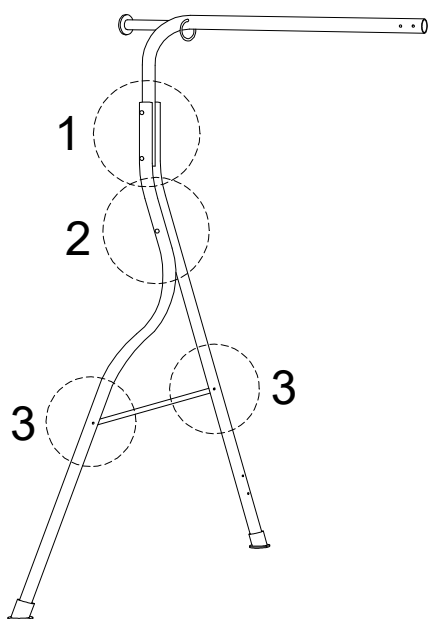
Δ



x 1

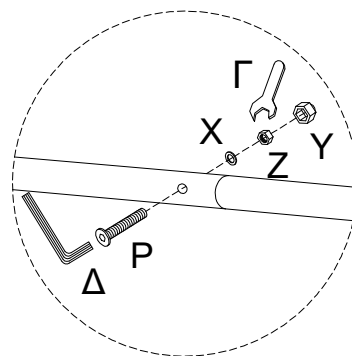
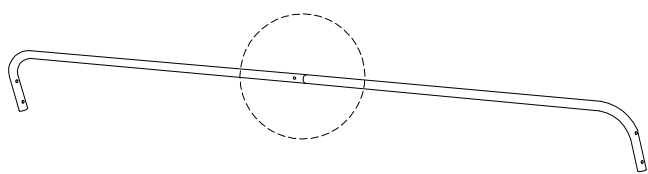
1

|   |   |  |   |   |   |   |
|---|---|--|---|---|---|---|
| A<br><br>x 2               | B<br><br>x 2               | C<br><br>x 1  | C1<br><br>x 1 | G<br><br>x 2 | R<br><br>M5<br>x 48<br>x 4 |   |
| U<br><br>M5<br>x 83<br>x 2 | V<br><br>M5<br>x 88<br>x 4 | X<br><br>x 10 | Y<br><br>x 10  | Z<br><br>x 10 | Г<br><br>x 1               | Δ<br><br>x 1 |



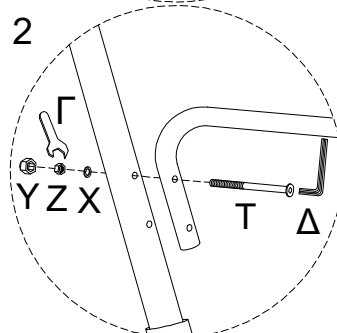
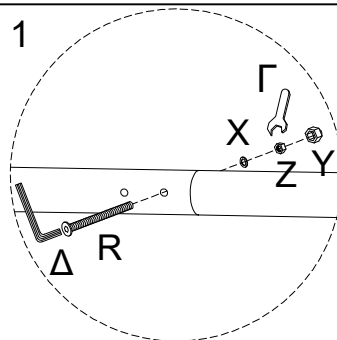
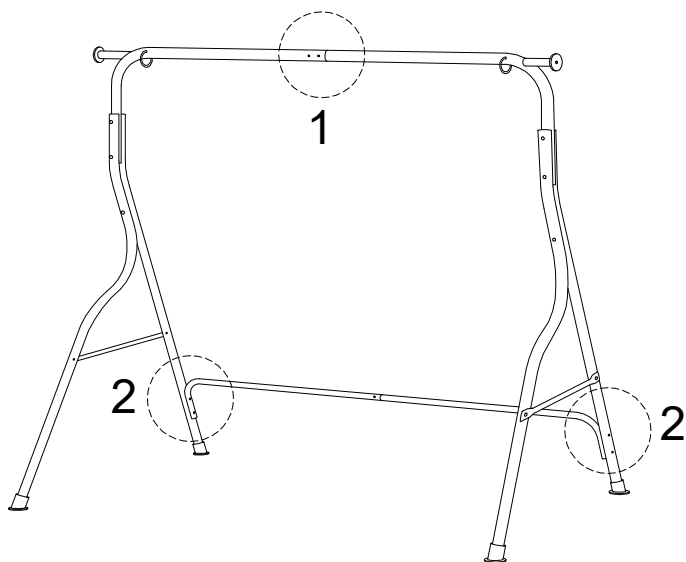
2

|     |     |     |     |     |     |     |     |
|-----|-----|-----|-----|-----|-----|-----|-----|
| E   | E1  | P   | X   | Y   | Z   | Г   | Δ   |
|     |     |     |     |     |     |     |     |
| x 1 | x 1 | x 1 | x 1 | x 1 | x 1 | x 1 | x 1 |



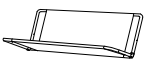


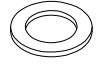
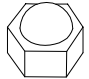
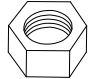
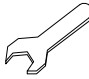



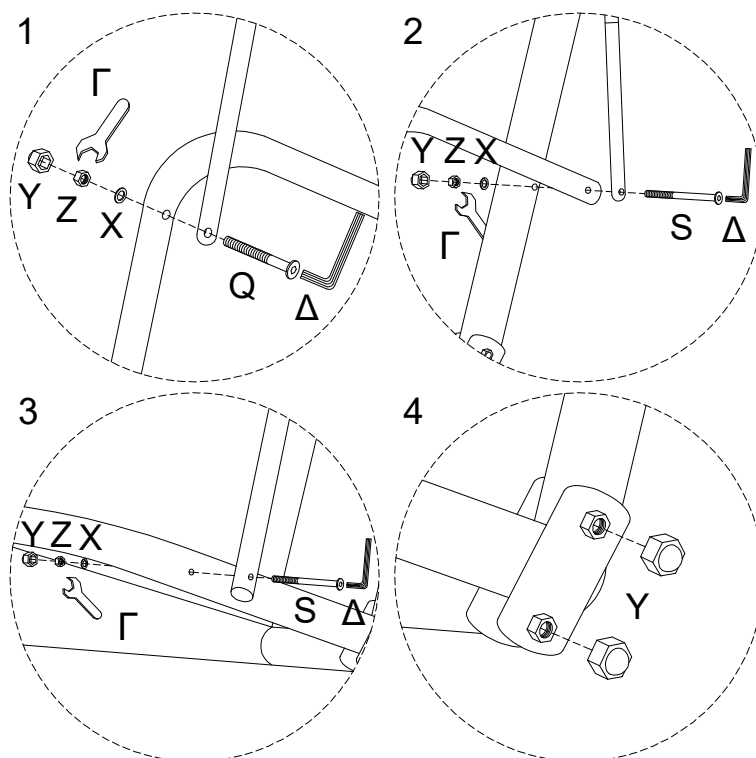
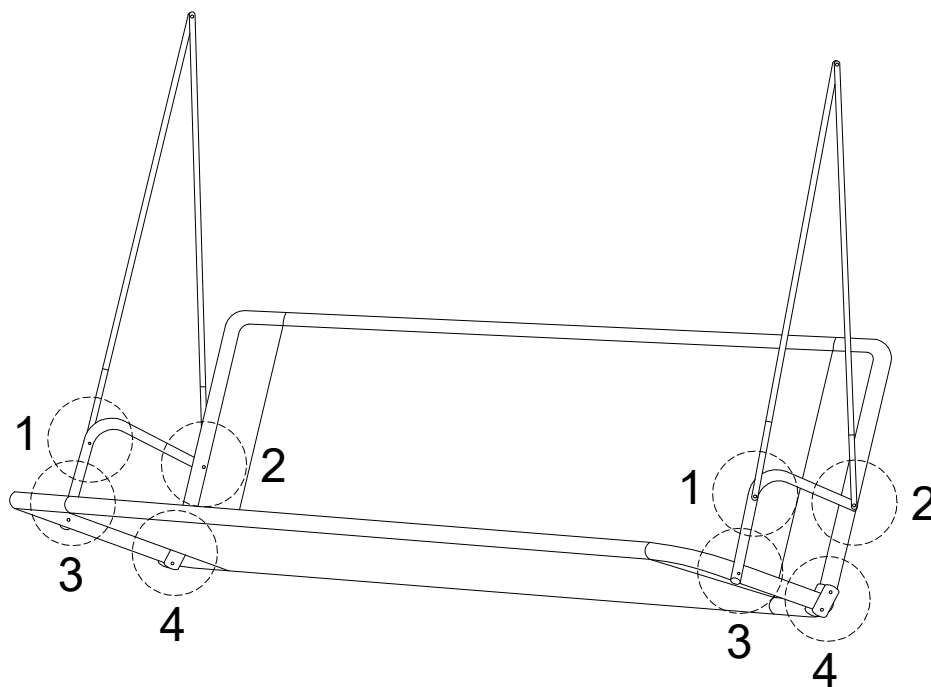
3

|     |     |     |     |     |     |     |
|-----|-----|-----|-----|-----|-----|-----|
| R   | T   | X   | Y   | Z   | Г   | Δ   |
|     |     |     |     |     |     |     |
| x 2 | x 4 | x 6 | x 6 | x 6 | x 1 | x 1 |



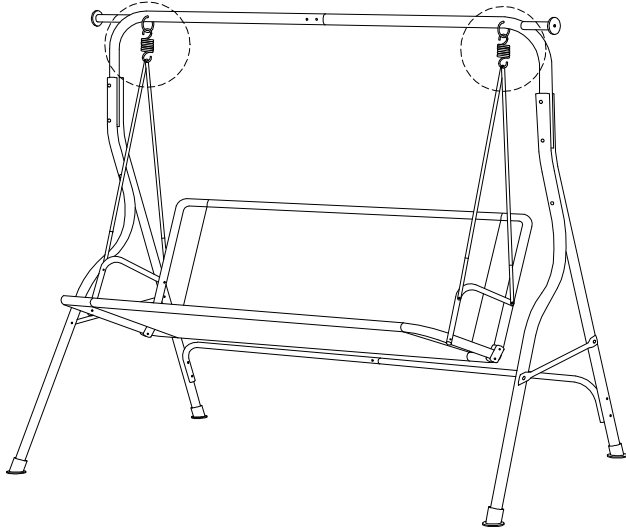
4

|   |  |   |   |   |
|---|--|---|---|---|
| F<br><br>x 4 | D<br><br>x 2  | K<br><br>x 1 | Q<br>M5<br>x 35<br><br>x 2 | S<br>M5<br>x 60<br><br>x 4 |
| X<br><br>x 6 | Y<br><br>x 10 | Z<br><br>x 6 | Г<br><br>x 1               | Δ<br><br>x 1               |

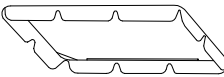


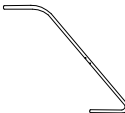
5


M  
  
x 2

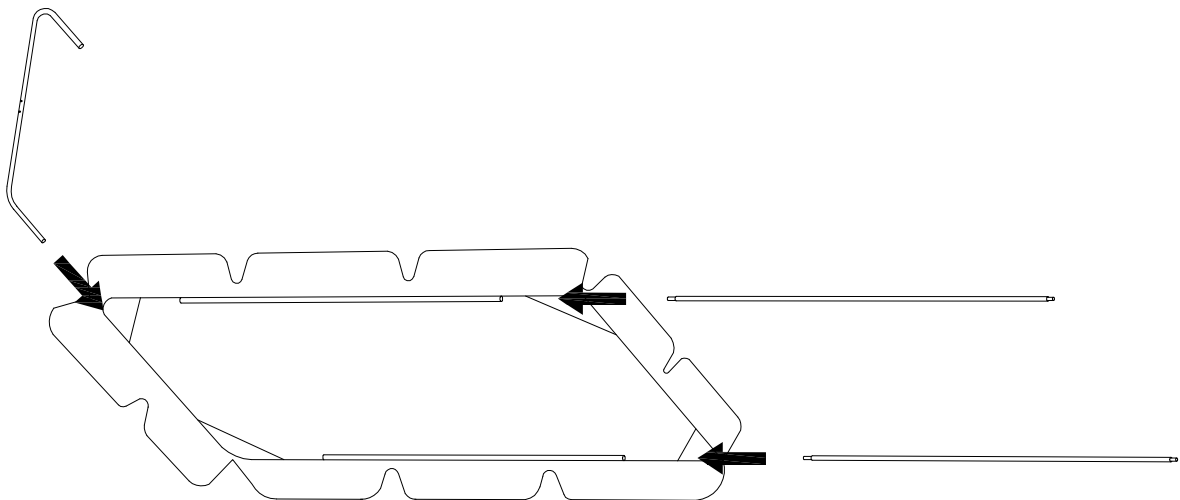


6

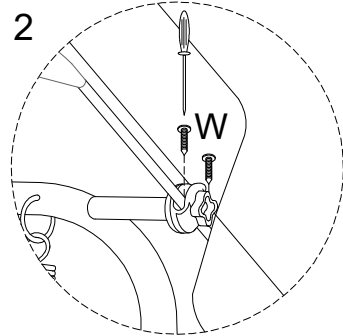
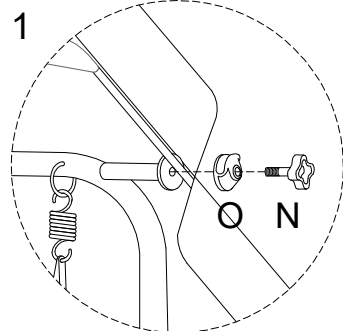
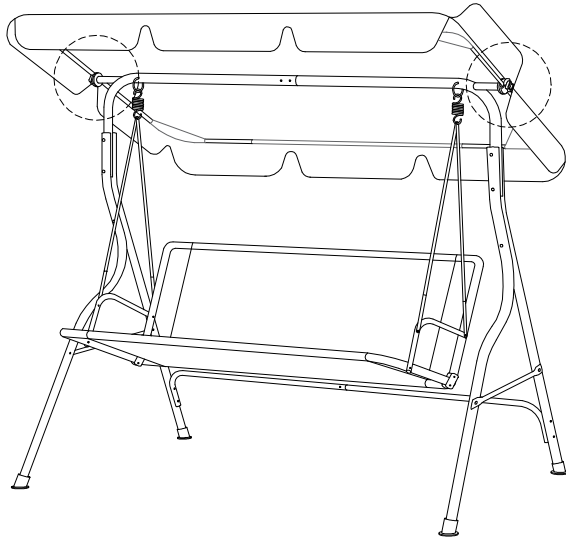
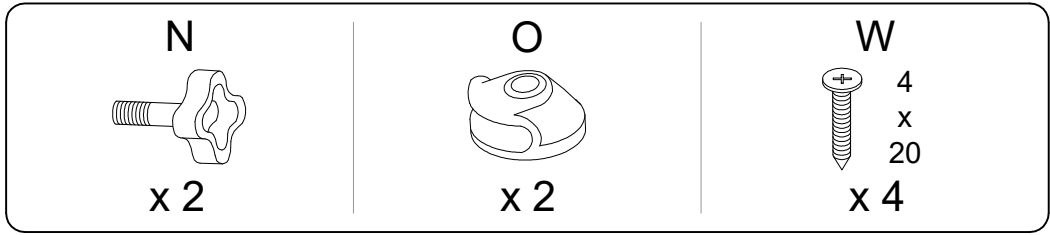
H  
  
x 1

I  
  
x 2

J  
  
x 2



7



8

