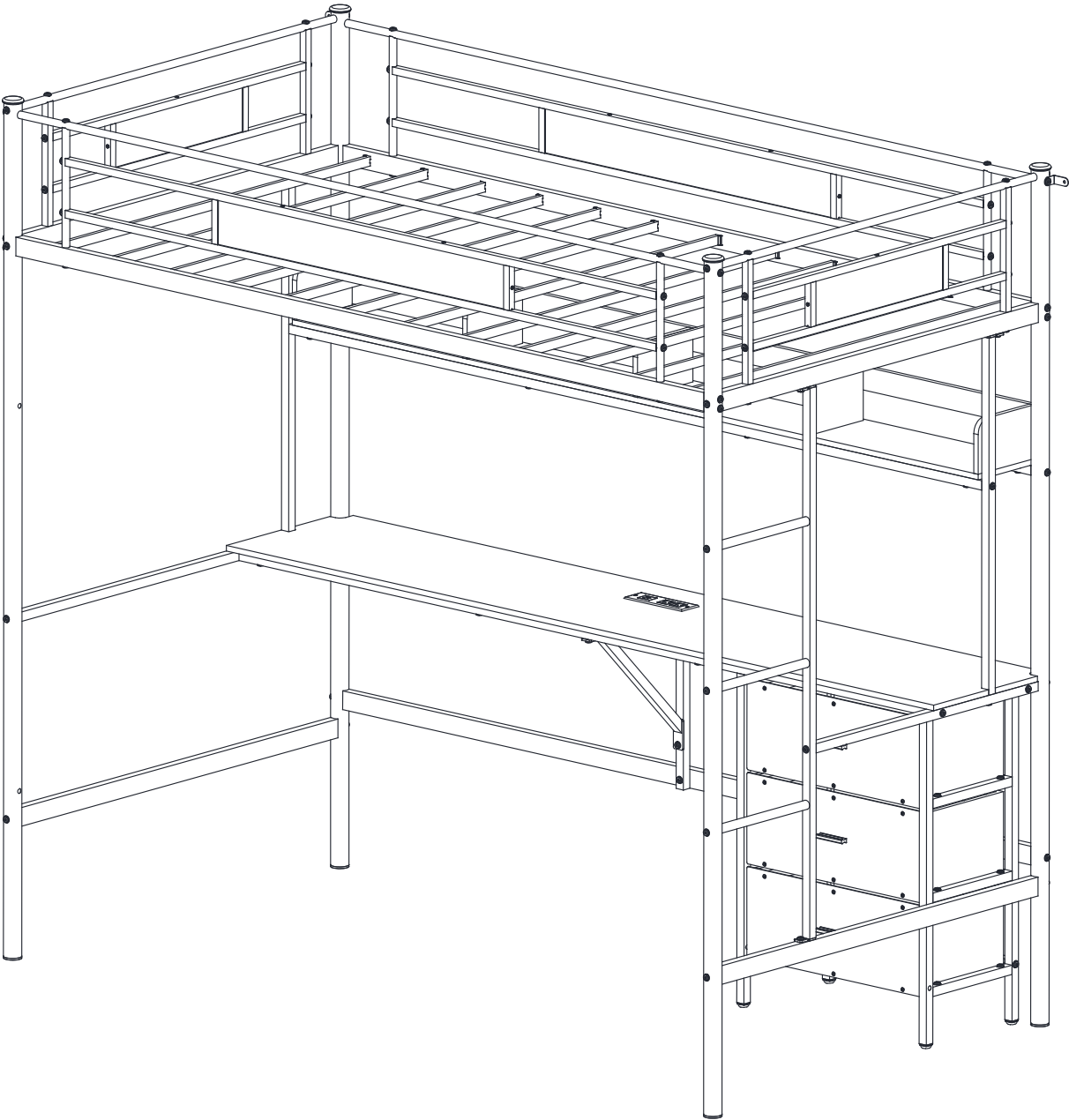
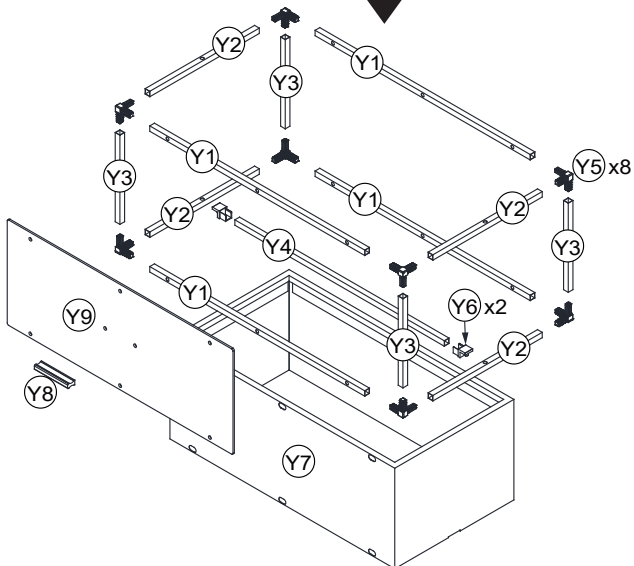
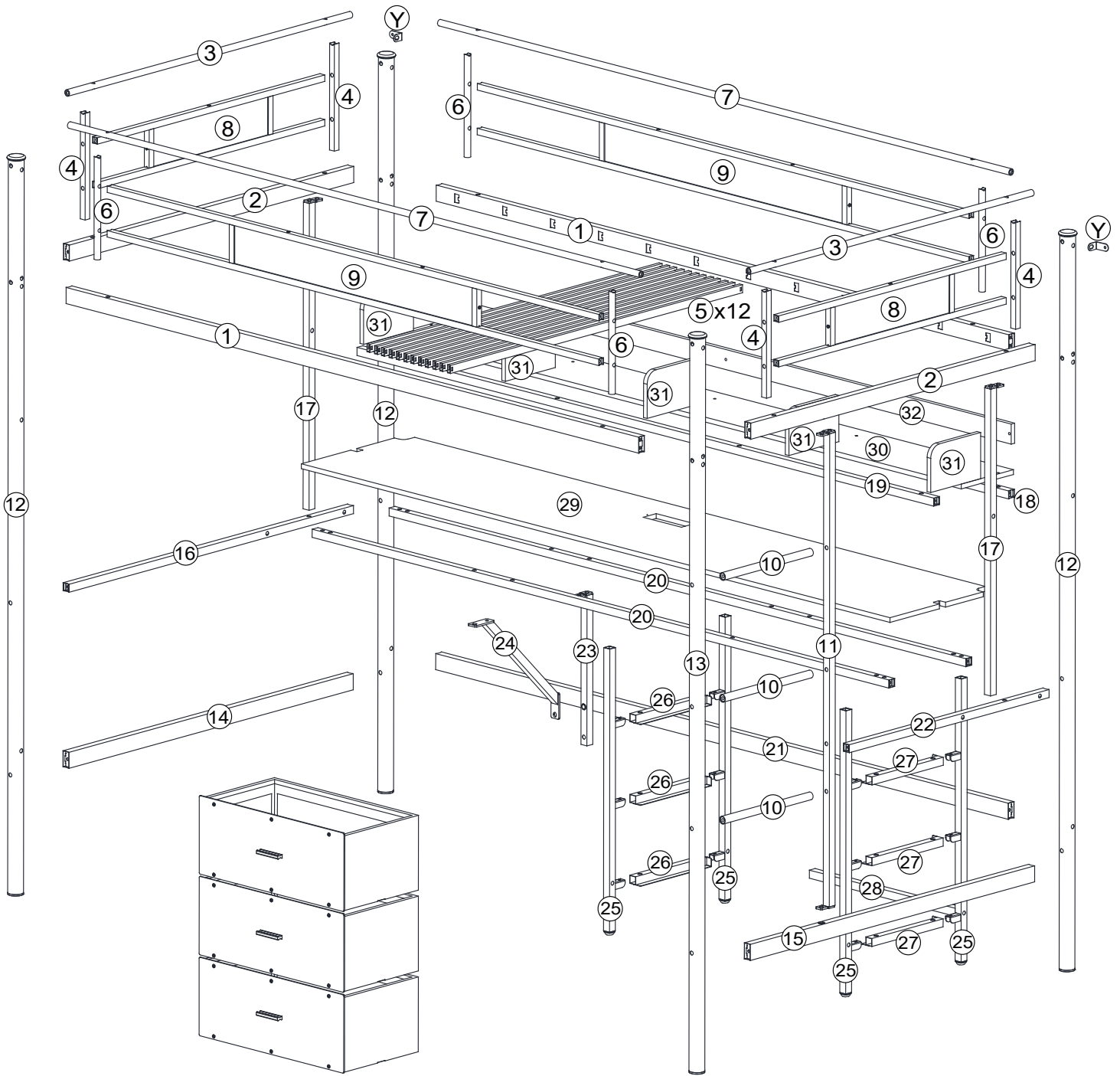


BED FRAME



Thank you for choosing our products, please assemble and use it following the instructions.

Assembly Instruction

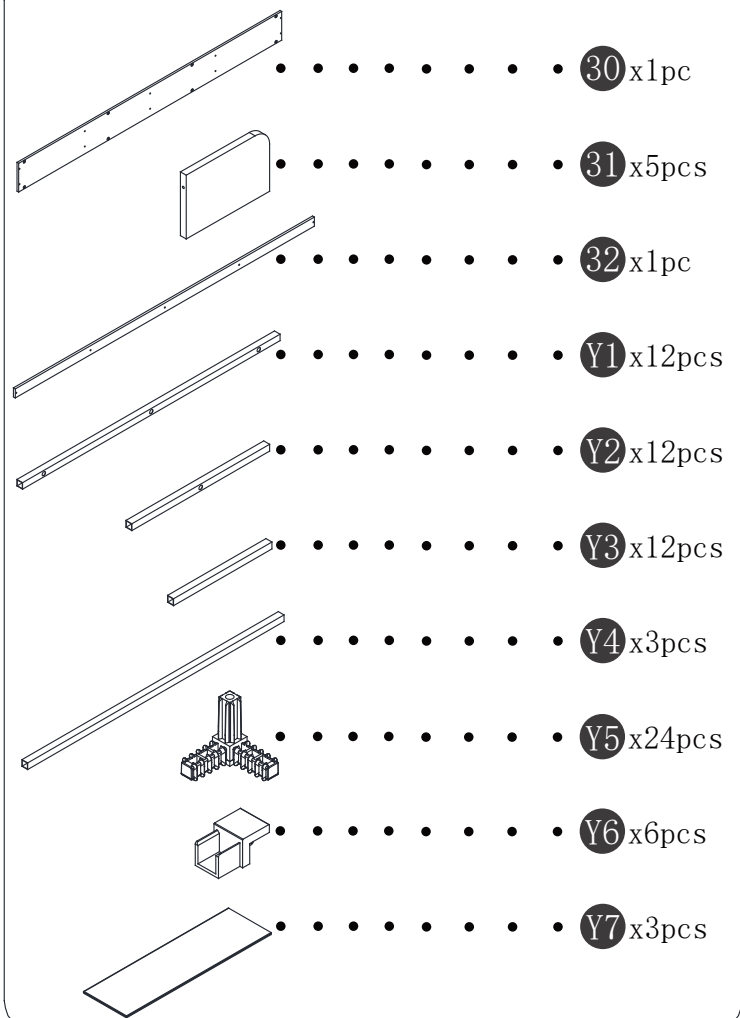
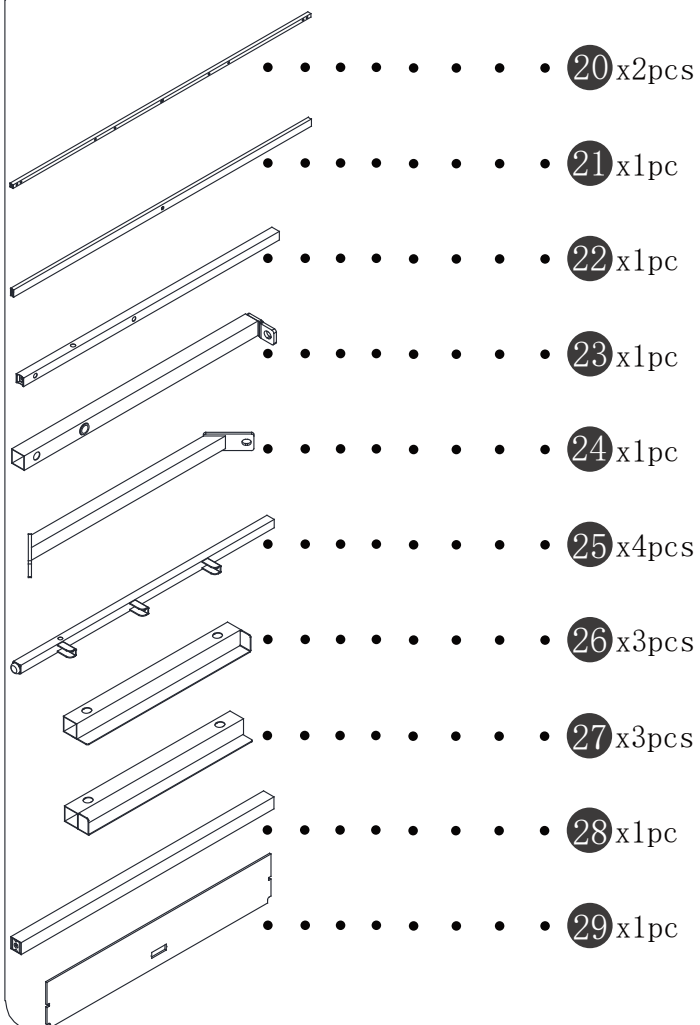
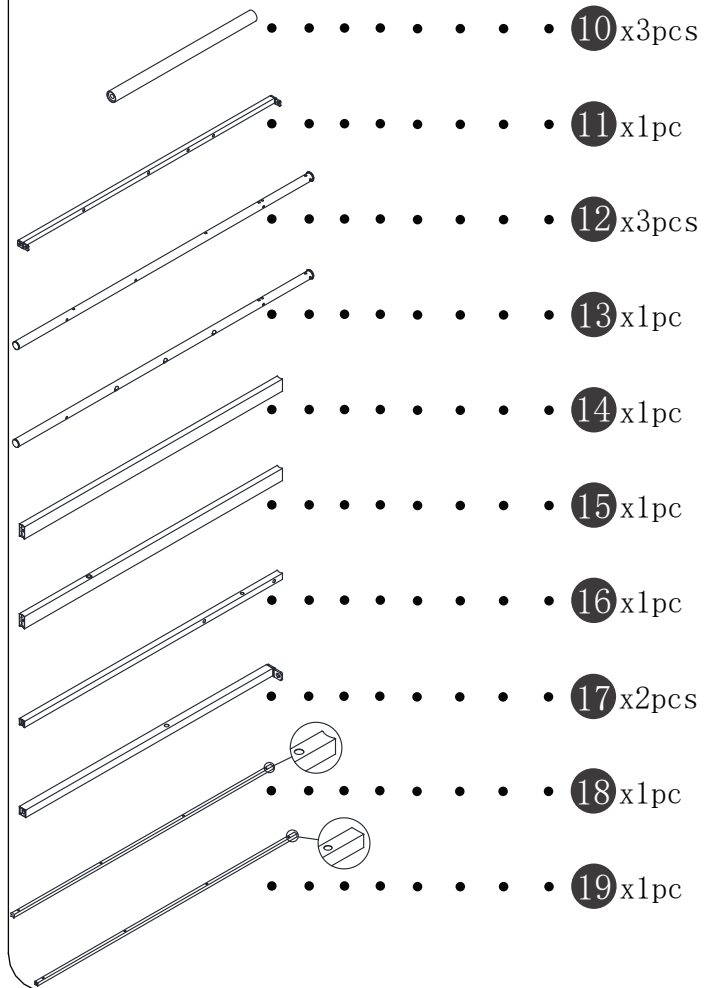
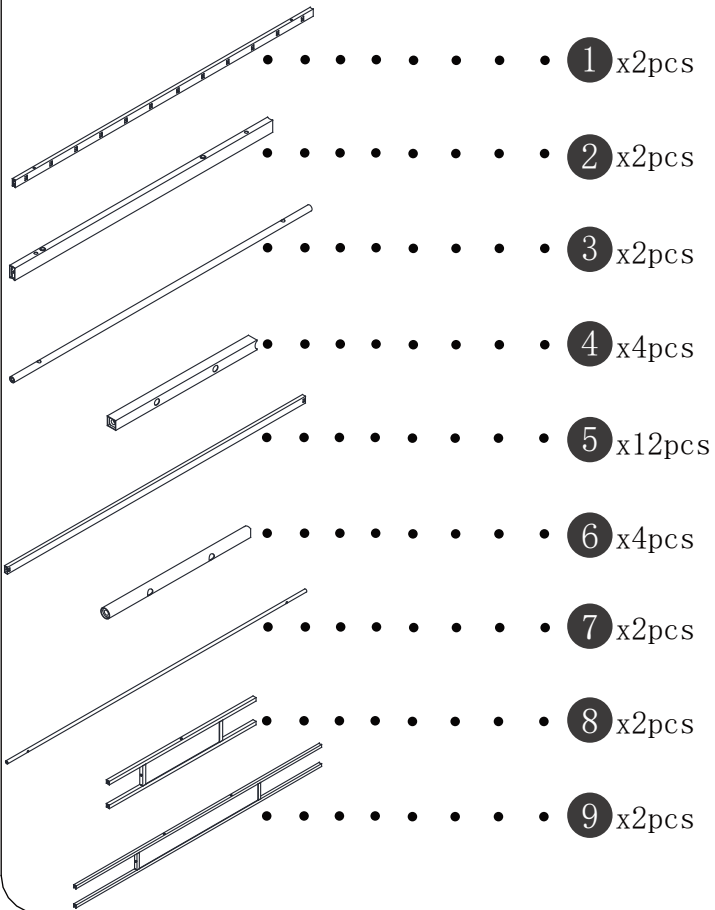


B434-T Important Note

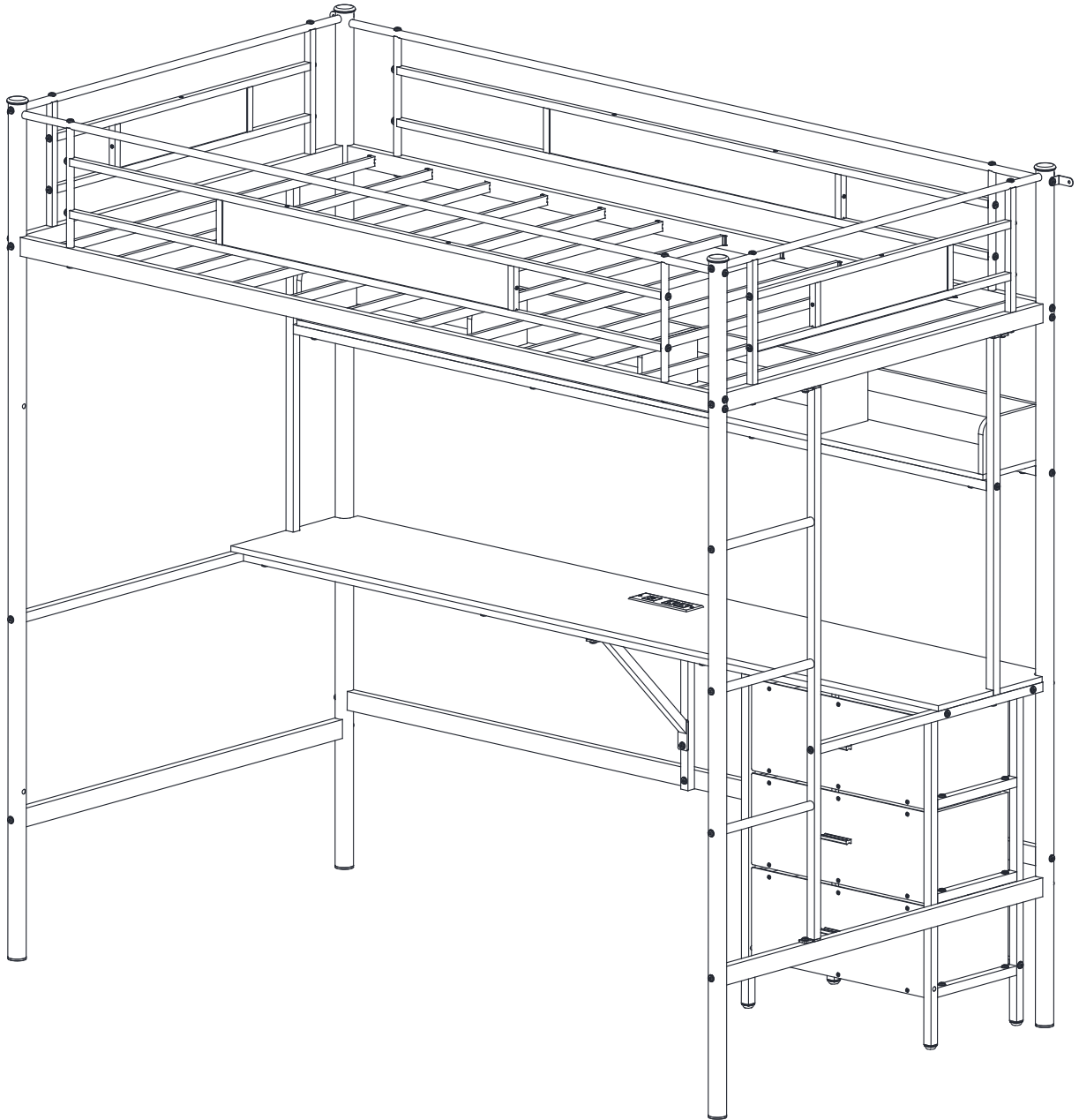
HARDWARE NOTE :

1. Two or more people are required for assembly
2. Do not screw on the bolts too tight unless the installation is done. Make sure all bolts are tightly screwed before you use it.

Components

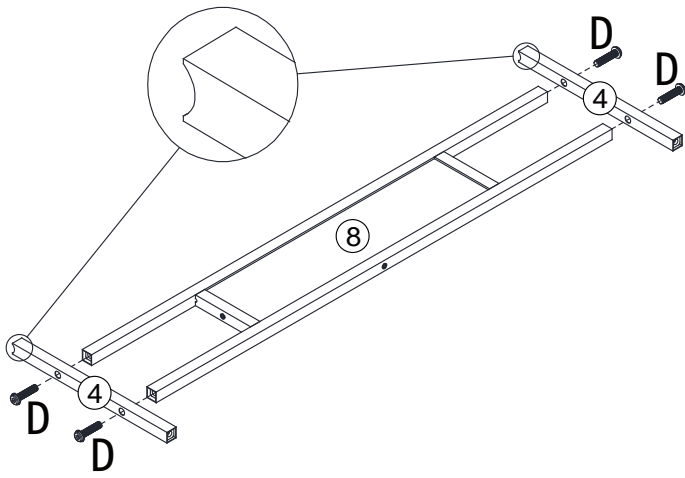



Type 1



1

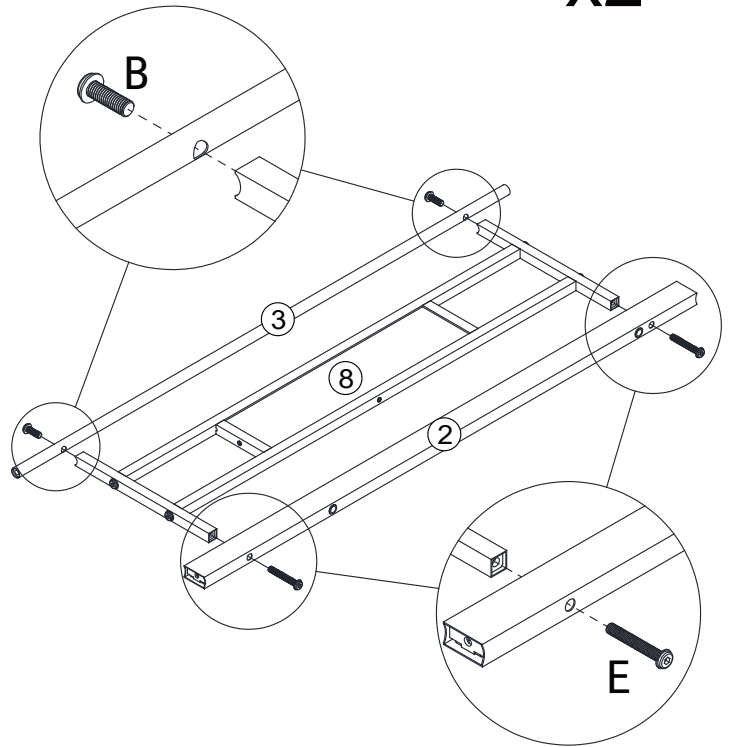
x2





D		8pcs
	M8x35	

2

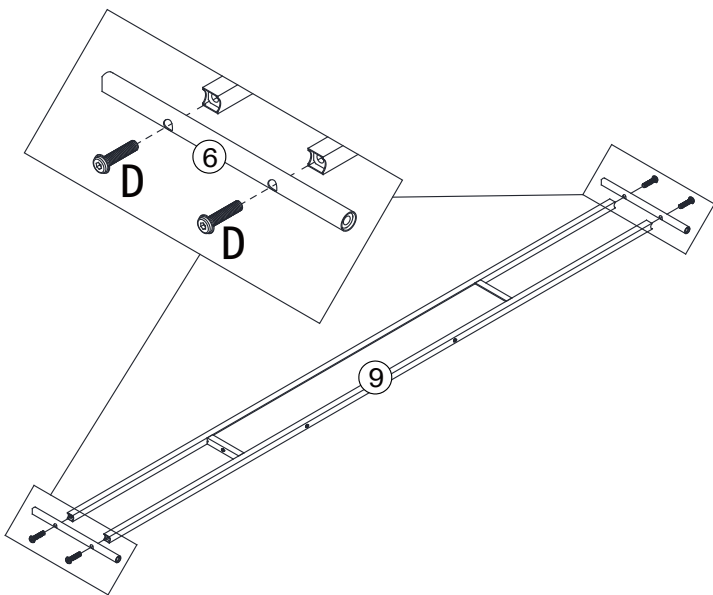
x2




B		4pcs
	M8x25	
E		4pcs
	M8x55	

3

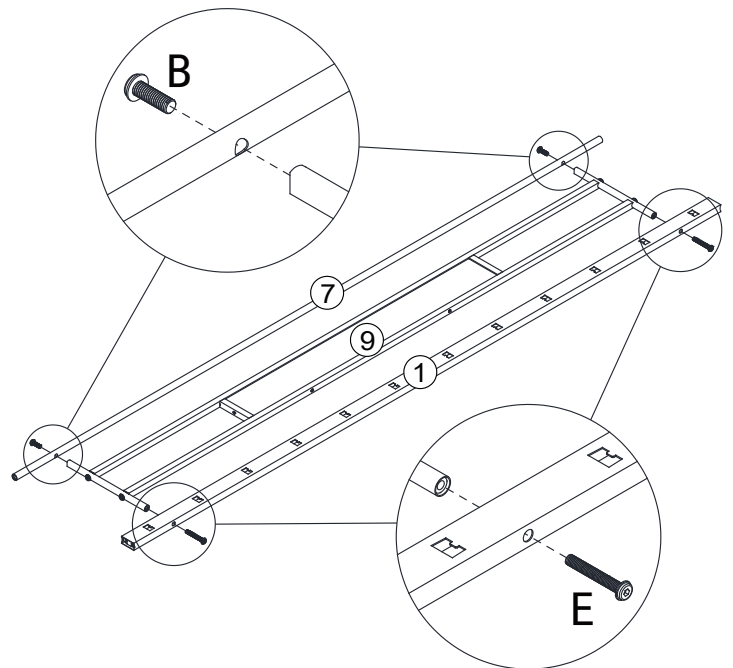
x2





D		8pcs
	M8x35	

4

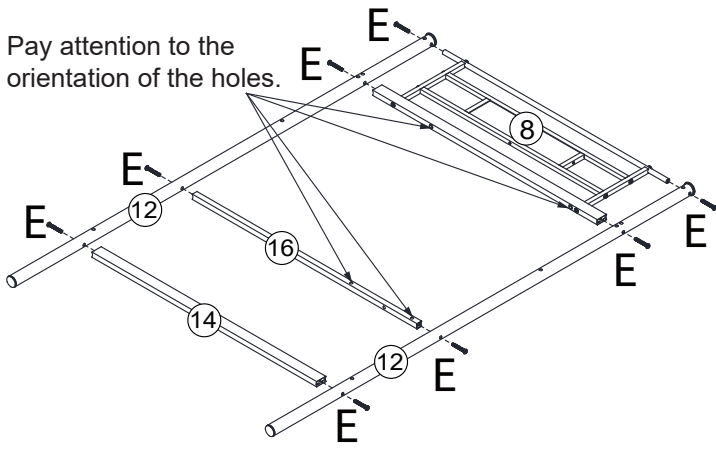
x2




B		4pcs
	M8x25	
E		4pcs
	M8x55	

5

Pay attention to the orientation of the holes.

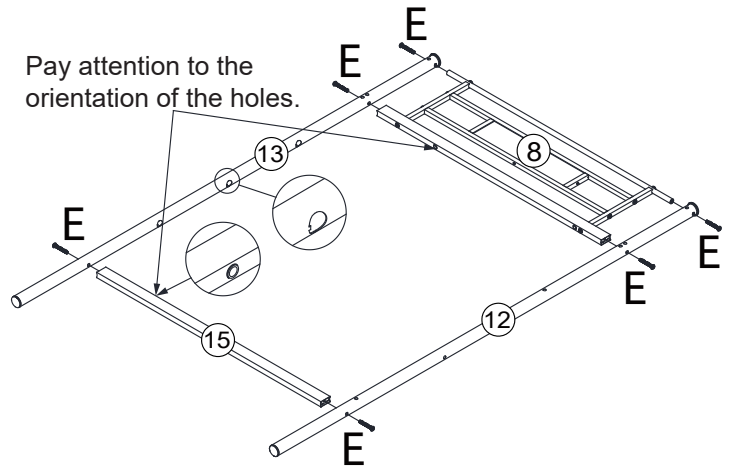


⚠ Do not fully tighten the screws yet.


E		M8x55	8pcs
---	-------------------------------------------------------------------------------------	-------	------

6

Pay attention to the orientation of the holes.

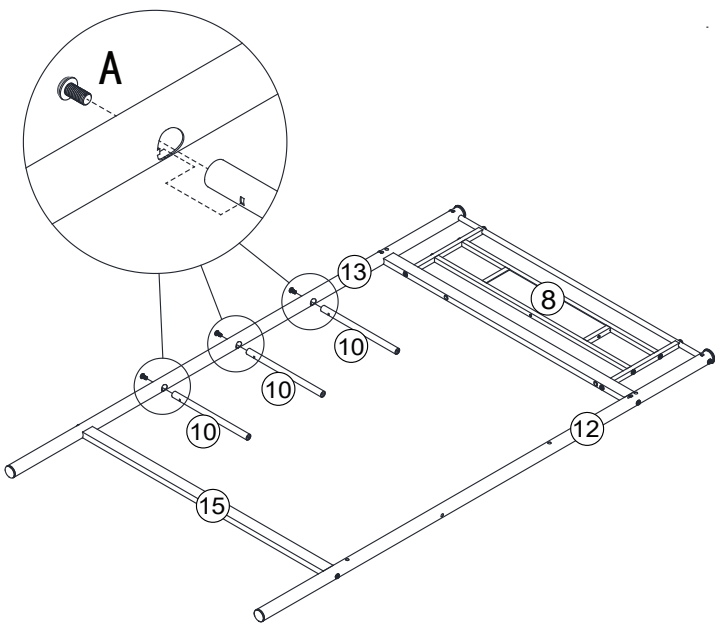


⚠ Do not fully tighten the screws yet.

E		M8x55	6pcs
---	-------------------------------------------------------------------------------------	-------	------

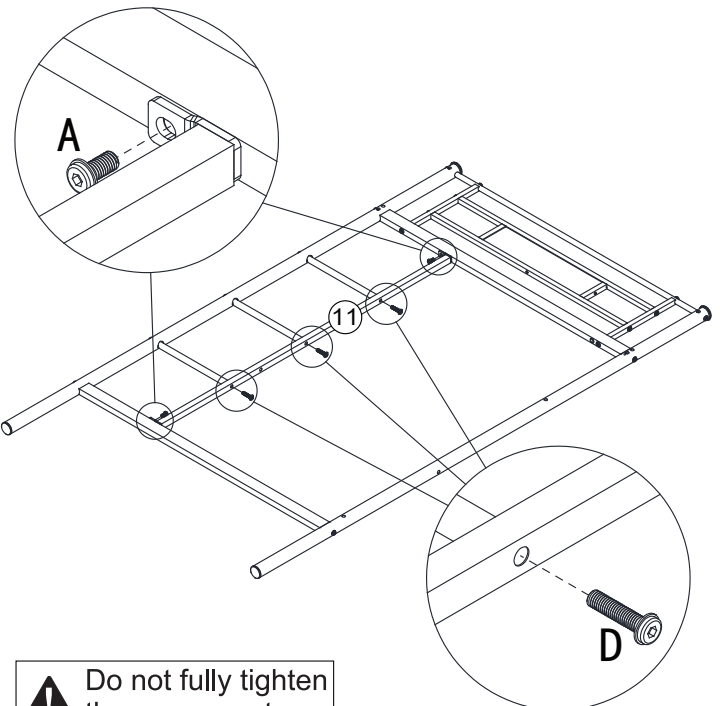
7

⚠ Do not fully tighten the screws yet.





A		M8x16	3pcs
---	-------------------------------------------------------------------------------------	-------	------

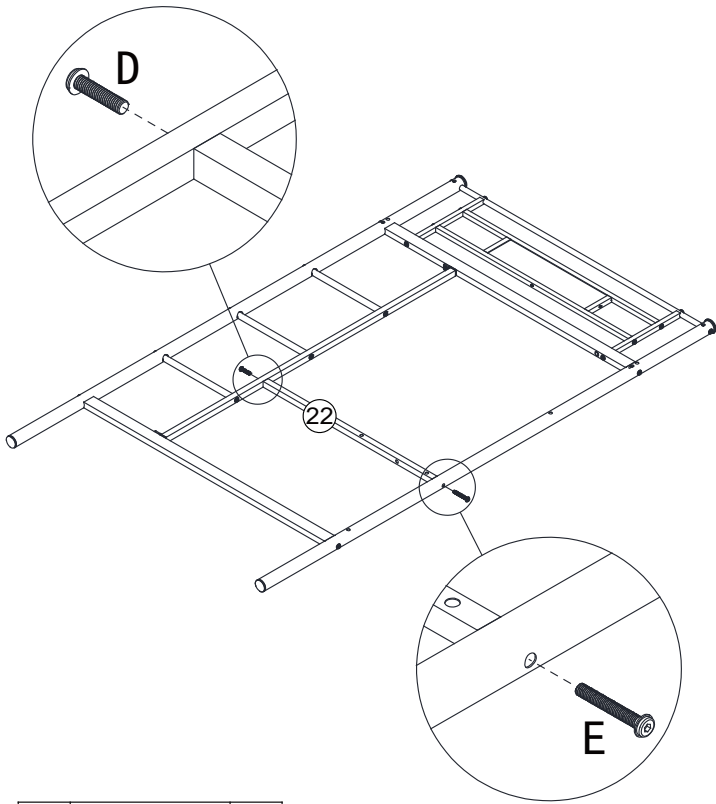
8





⚠ Do not fully tighten the screws yet.

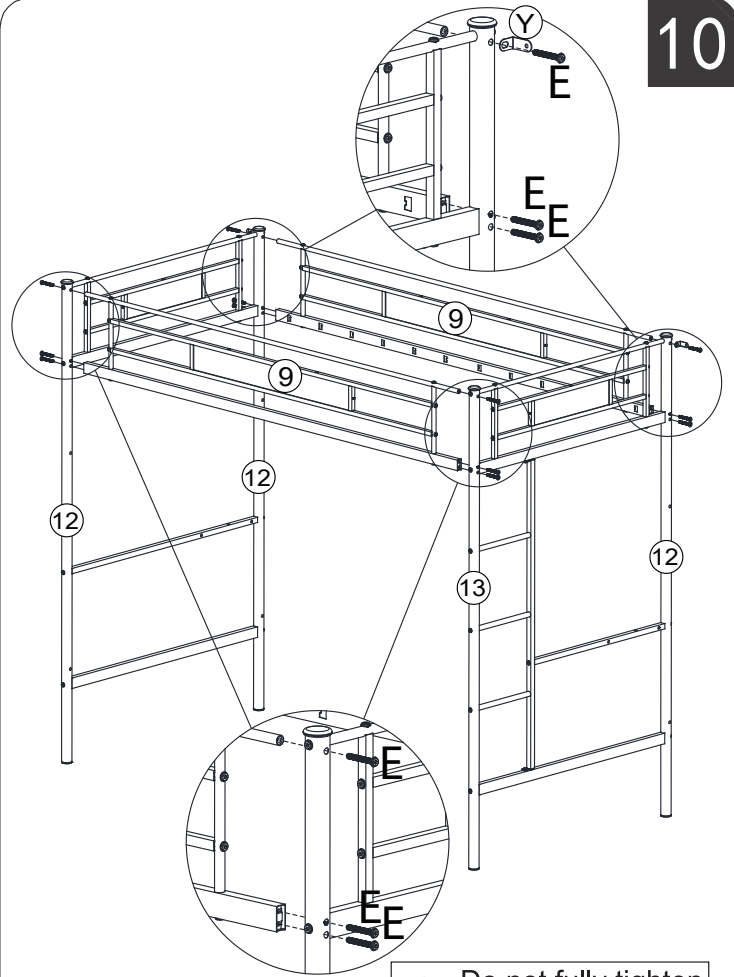
A		M8x16	2pcs
D		M8x35	3pcs

9




D	 M8x35	1pc
E	 M8x55	1pc

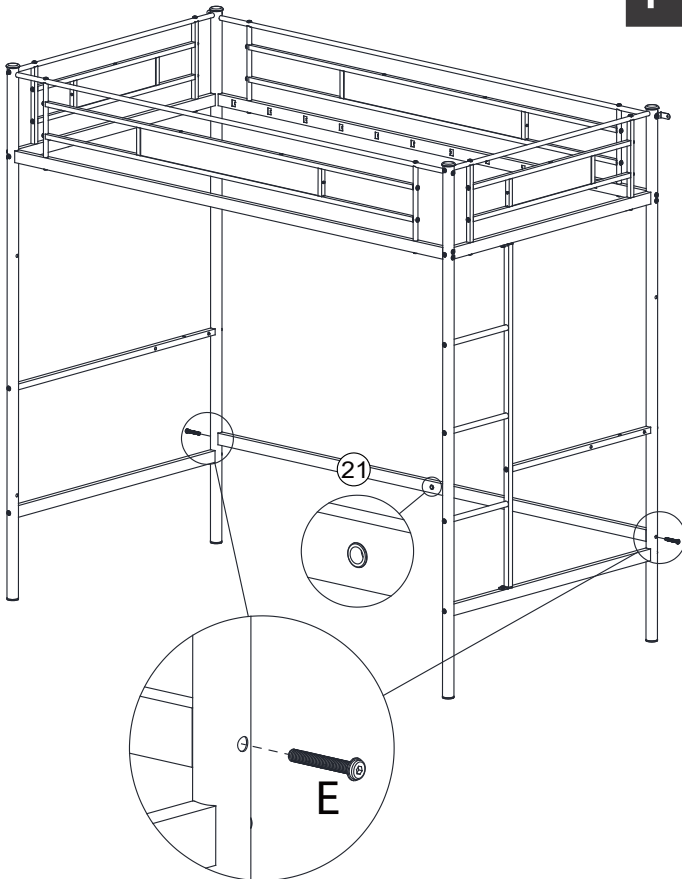
10




E	 M8x55	12pcs
---	----------------------------------------------------------------------------------------------	-------

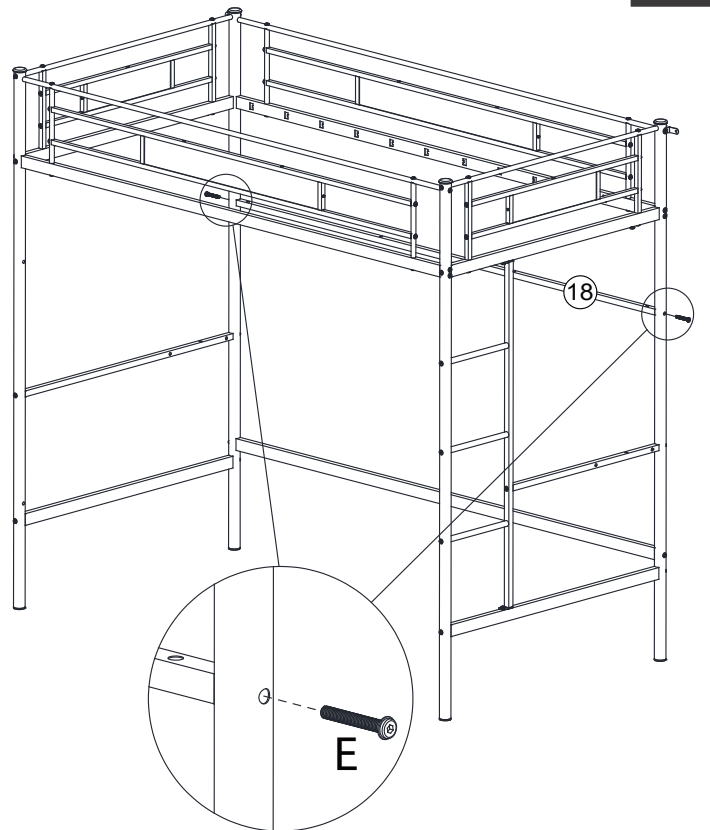
 Do not fully tighten the screws yet.


11




E	 M8x55	2pcs
---	----------------------------------------------------------------------------------------------	------

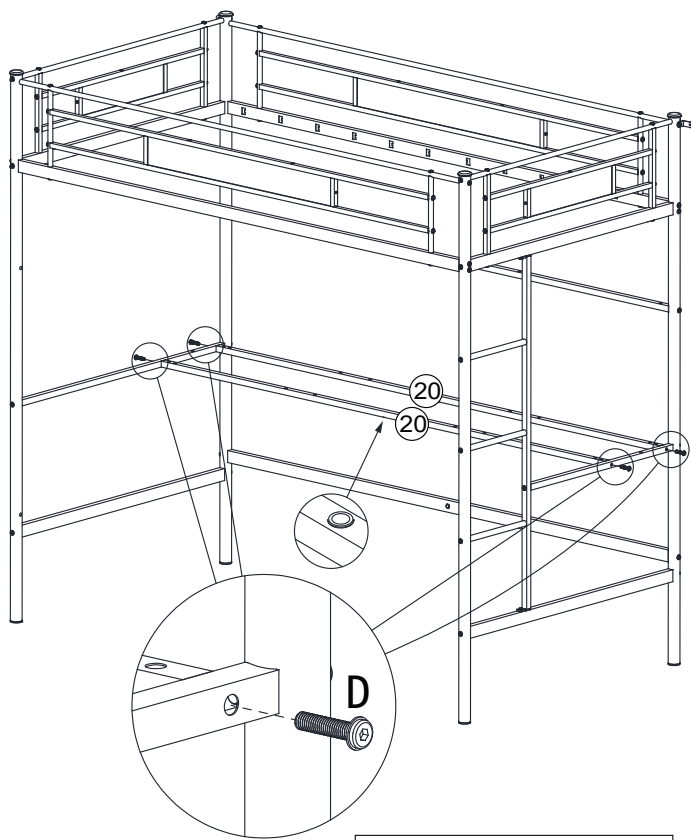
12





E	 M8x55	2pcs
---	----------------------------------------------------------------------------------------------	------

 Do not fully tighten the screws yet.

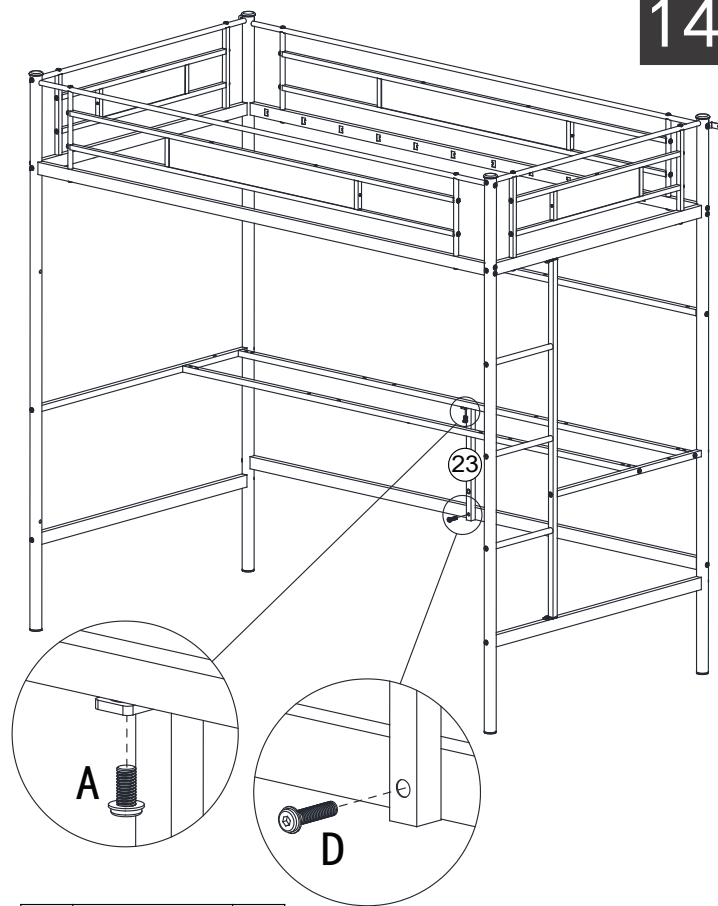
13





D		4pcs
M8x35		

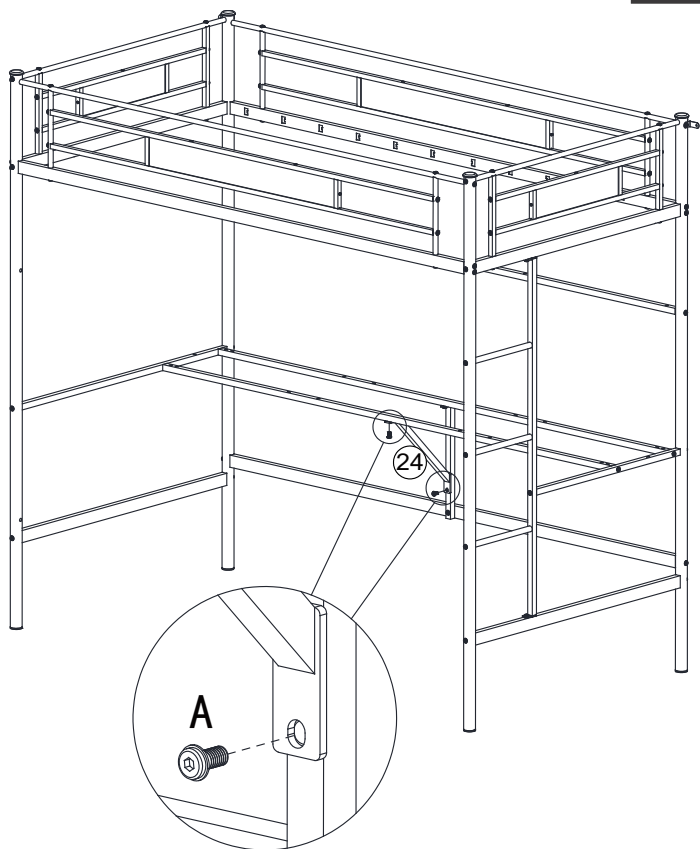
 Do not fully tighten the screws yet.

14



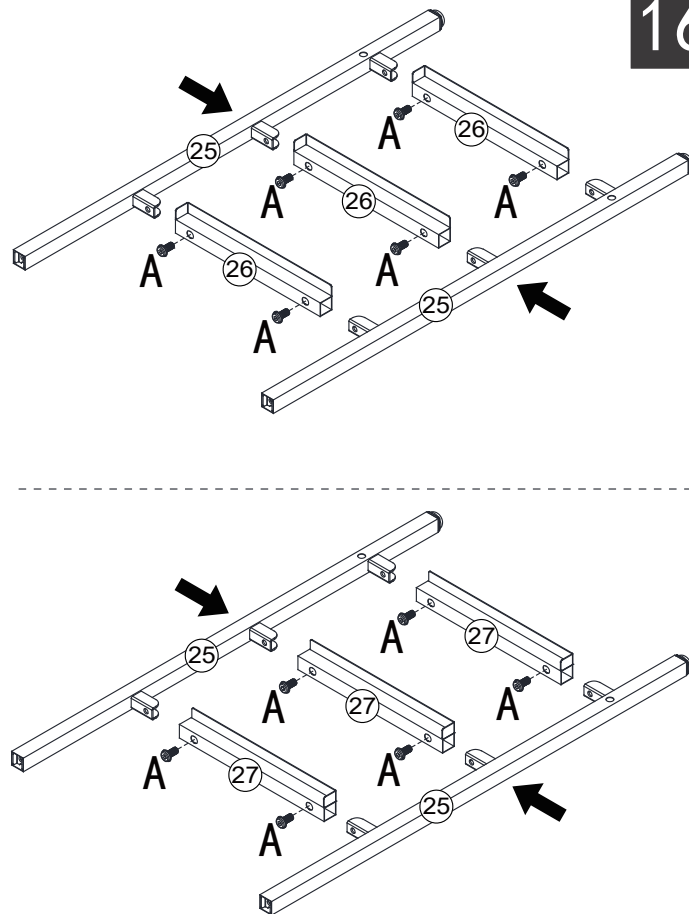
A		1pc
M8x16		
D		1pc
M8x35		

15



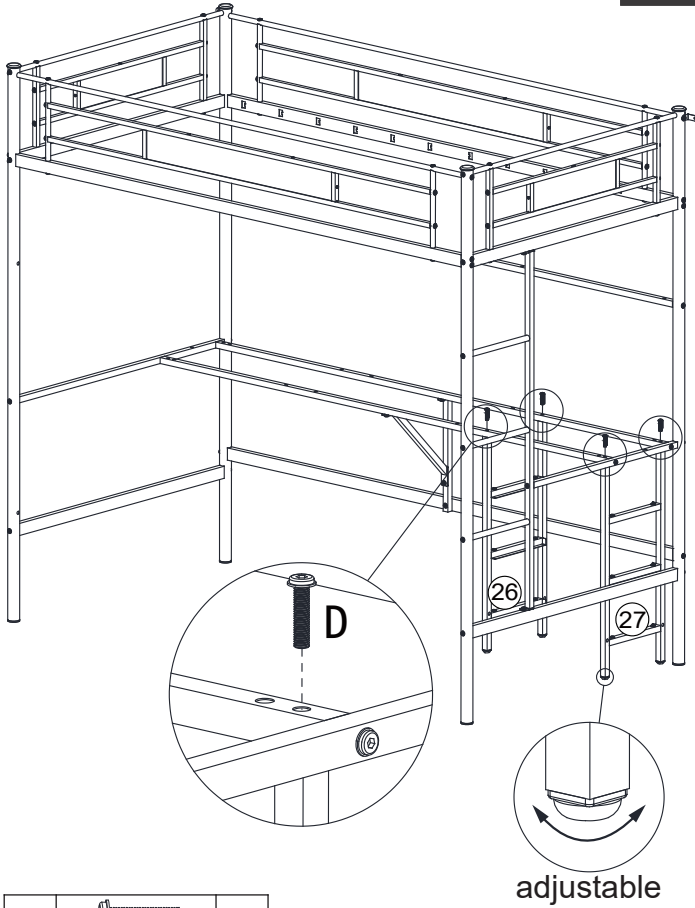
A		2pcs
M8x16		


16



A		12pcs
M8x16		

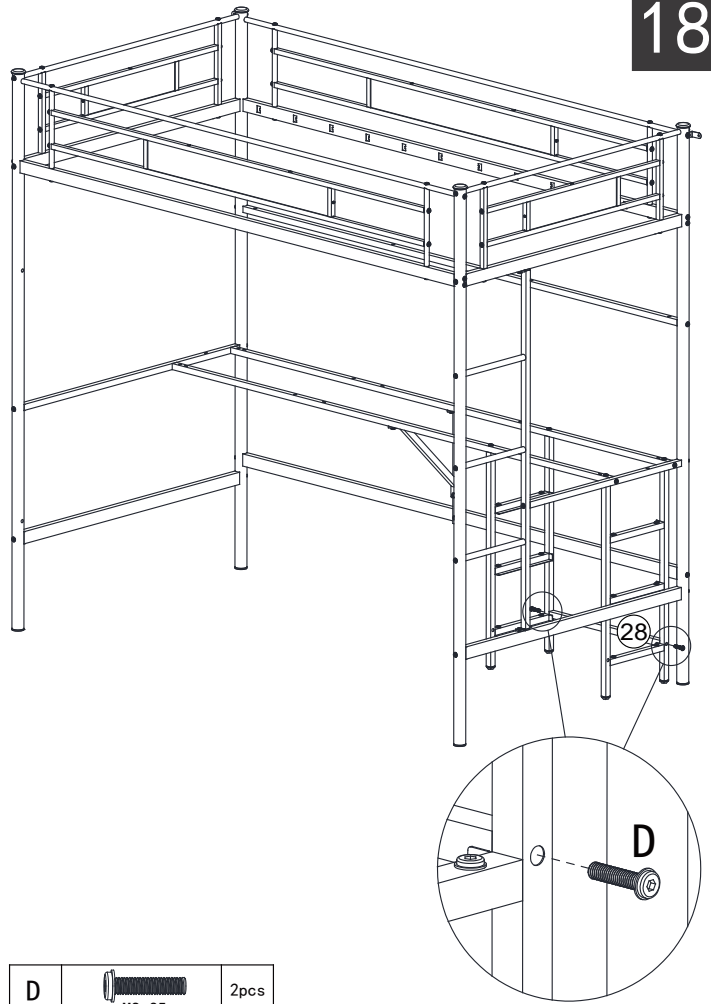
17




D		4pcs
	M8x35	

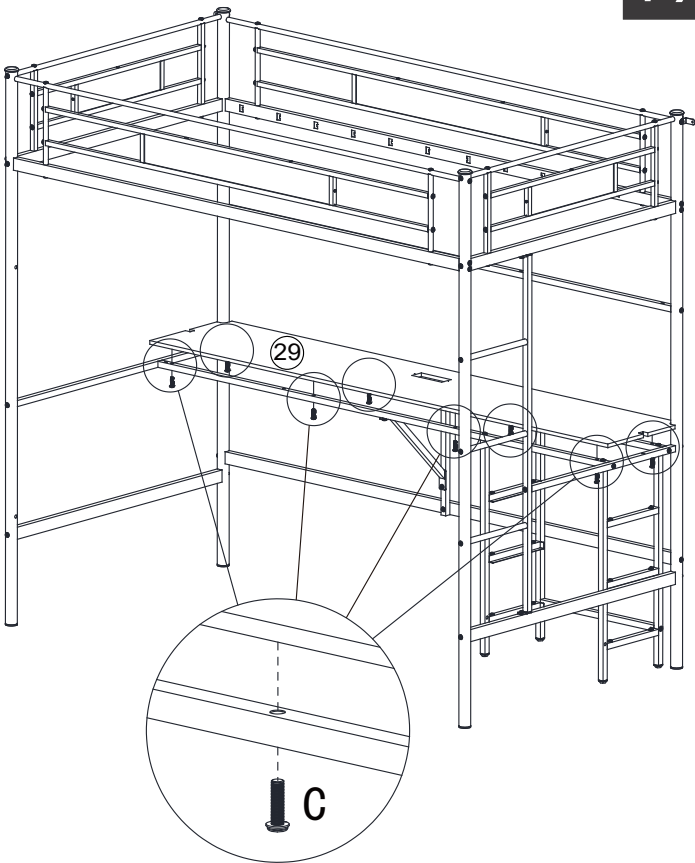
adjustable

18



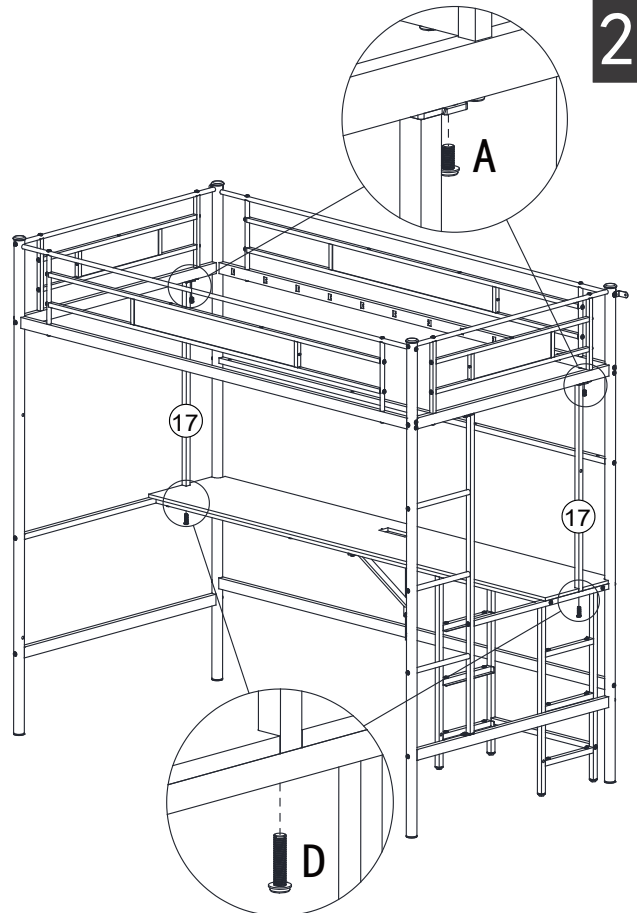
D		2pcs
	M8x35	



19



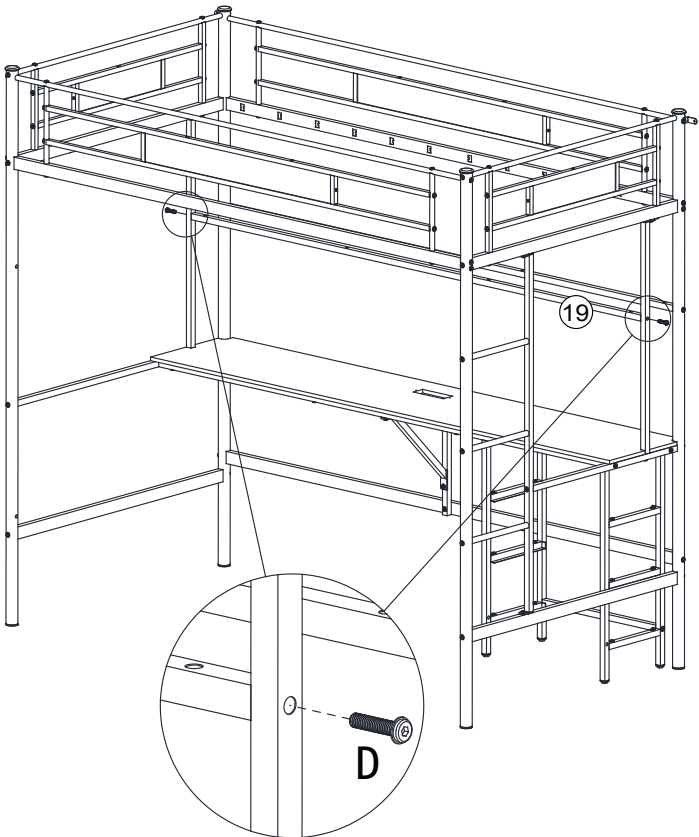
C		8pcs	white zinc
	M8x30		


20



A		2pcs
	M8x16	
D		2pcs
	M8x35	

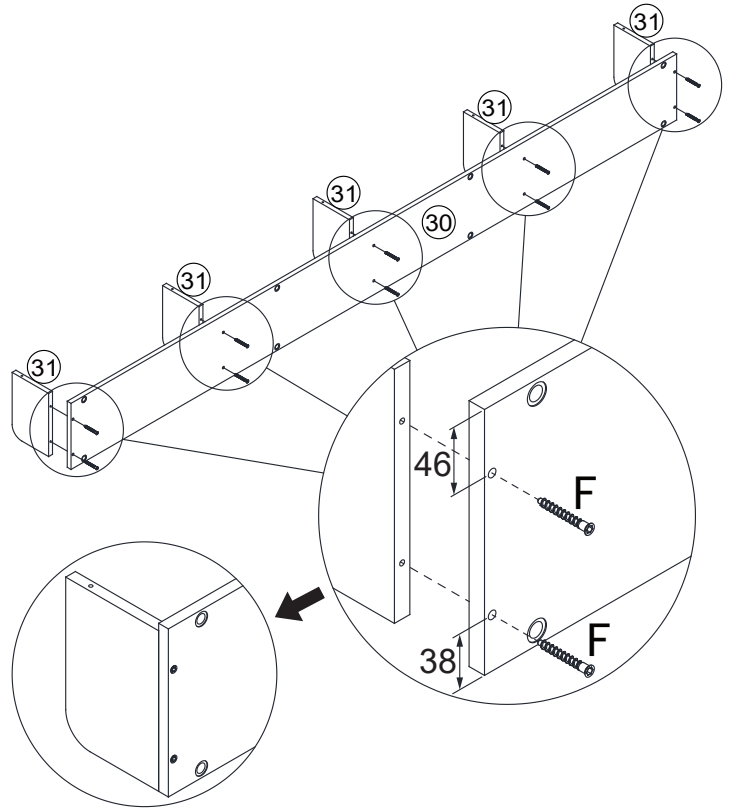
21



D		2pcs
M8x35		

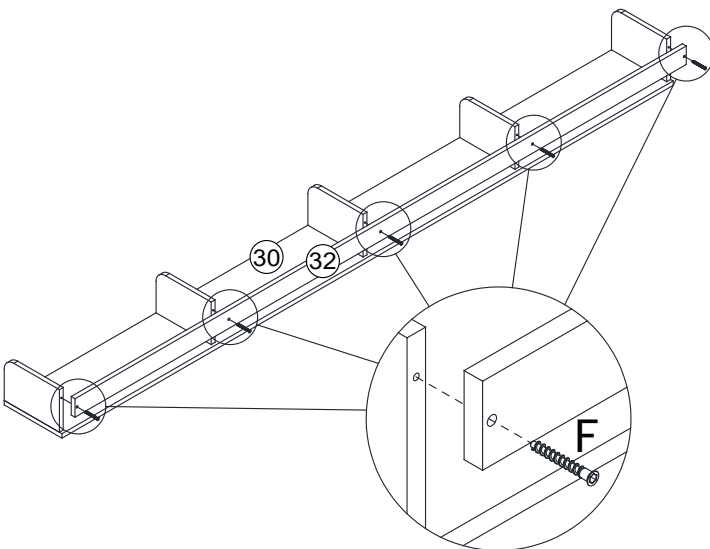
! Do not fully tighten the screws yet.

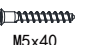
22



F		10pcs
M5x40		

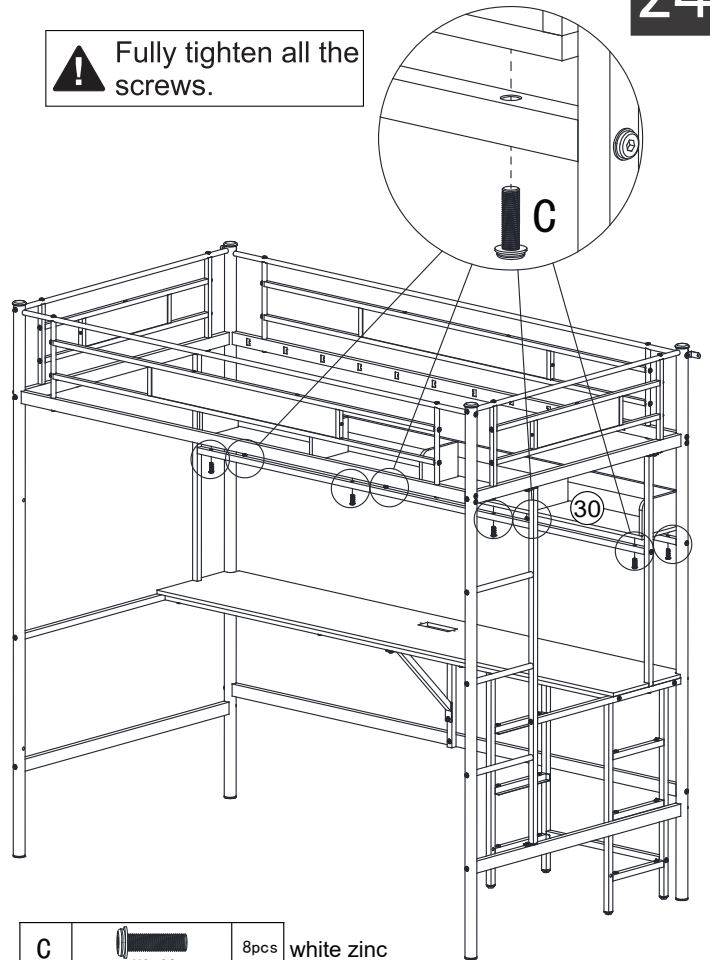
23



F		5pcs
M5x40		

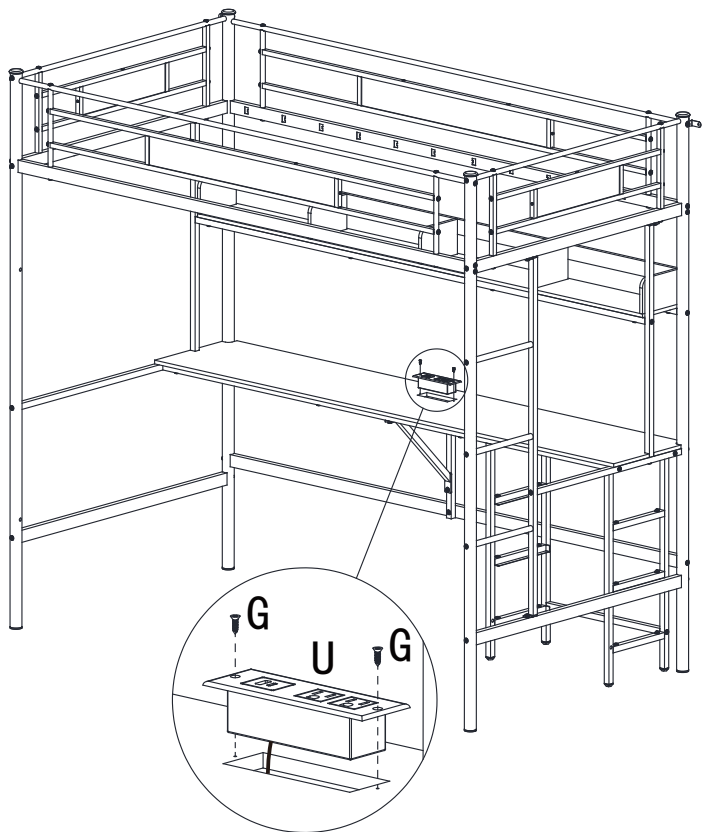
24

! Fully tighten all the screws.



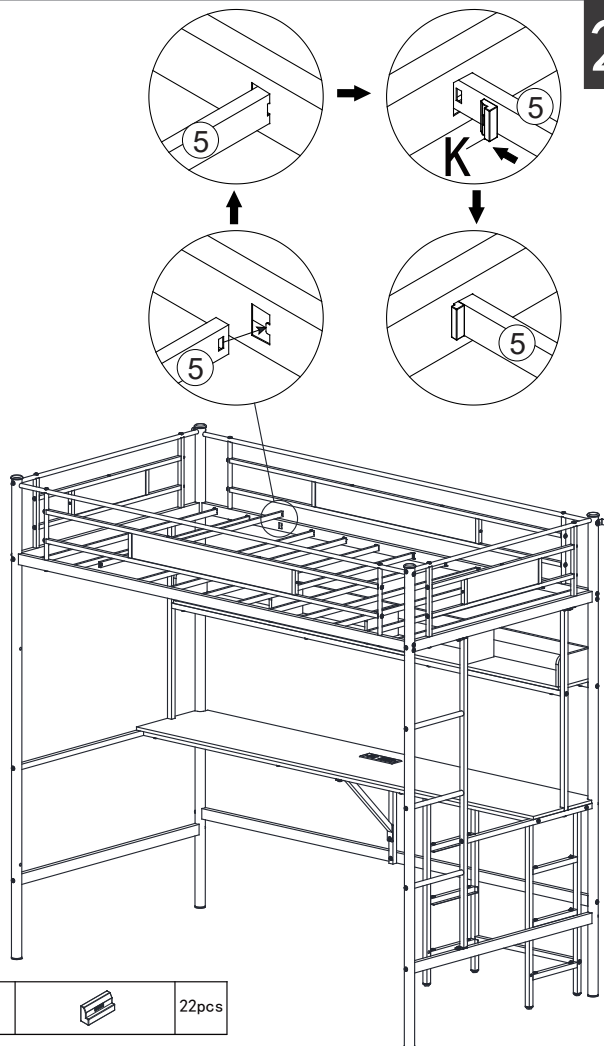
C		8pcs	white zinc
M8x30			

25



G	 ST4x14	2pcs
---	--------------------------------------------------------------------------------------------	------

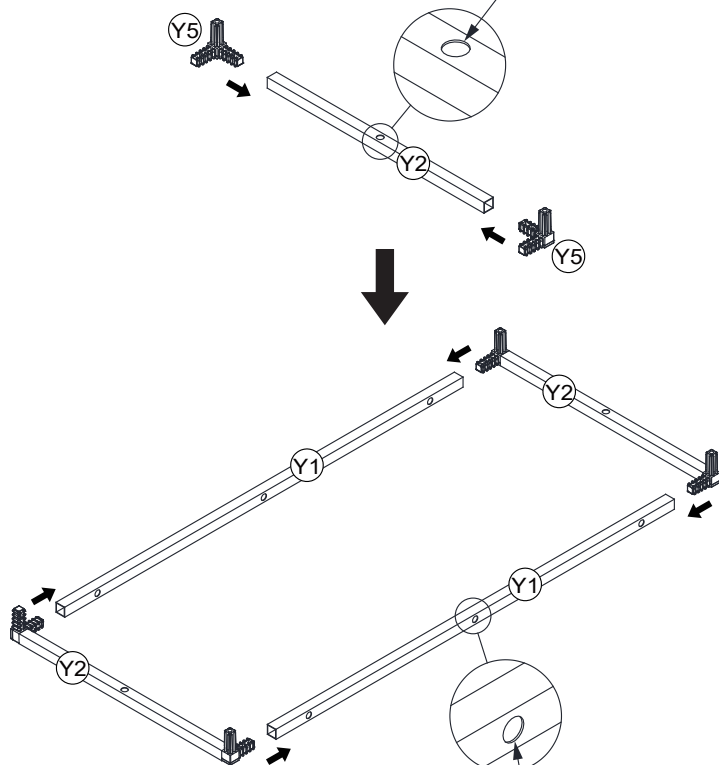
26



K		22pcs
---	-------------------------------------------------------------------------------------	-------

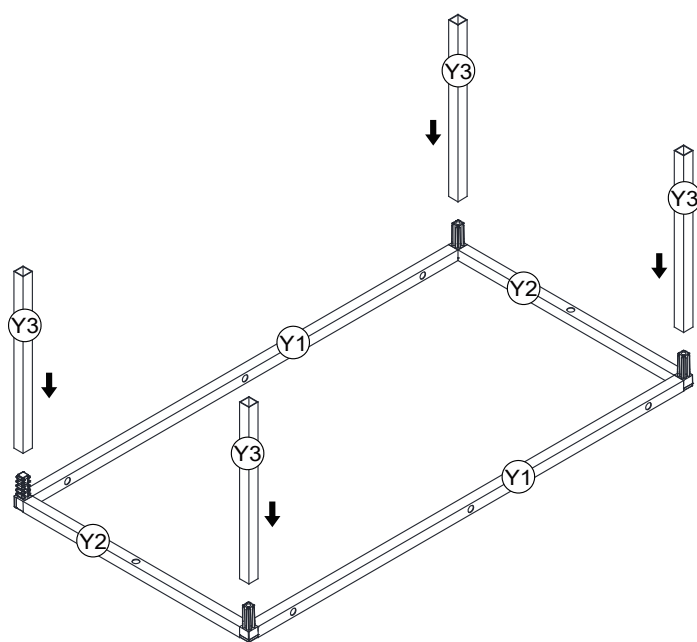
x6 27

Pay attention to the orientation of the holes.

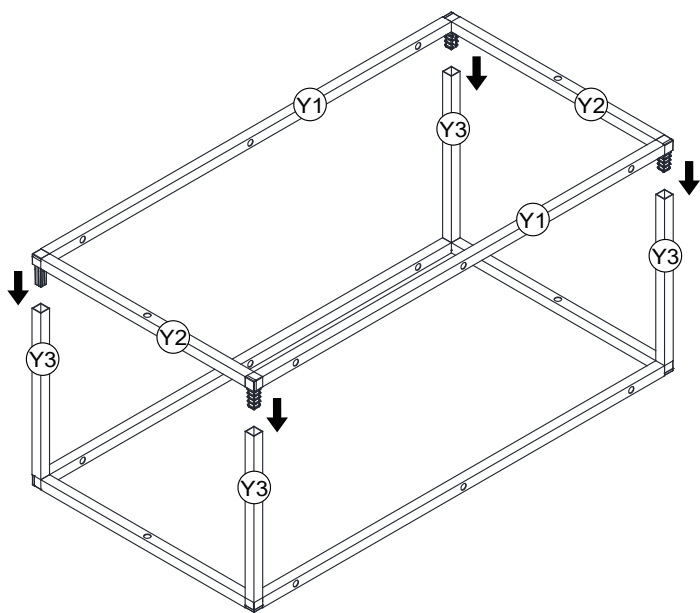


Pay attention to the orientation of the holes.

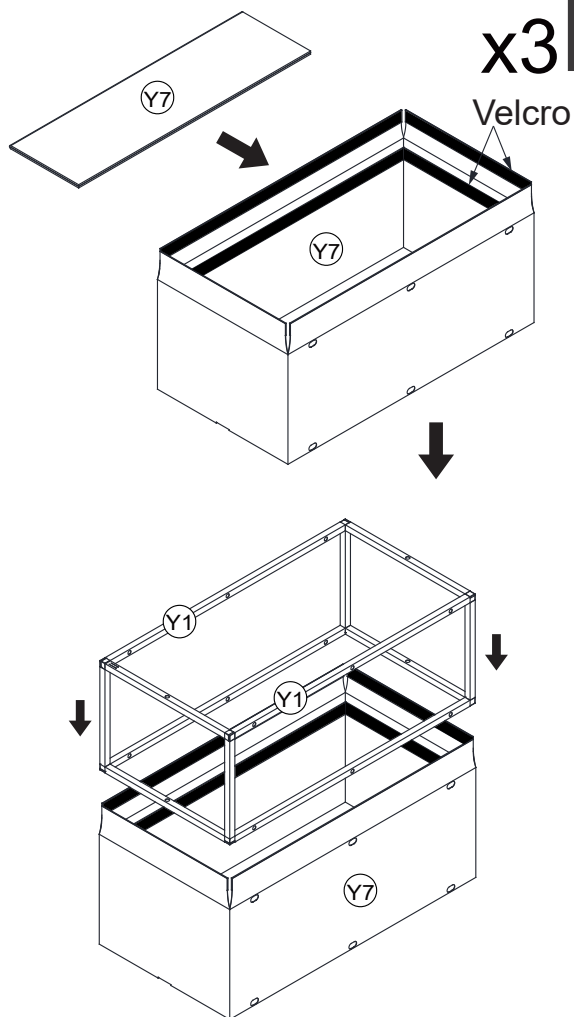
x3 28



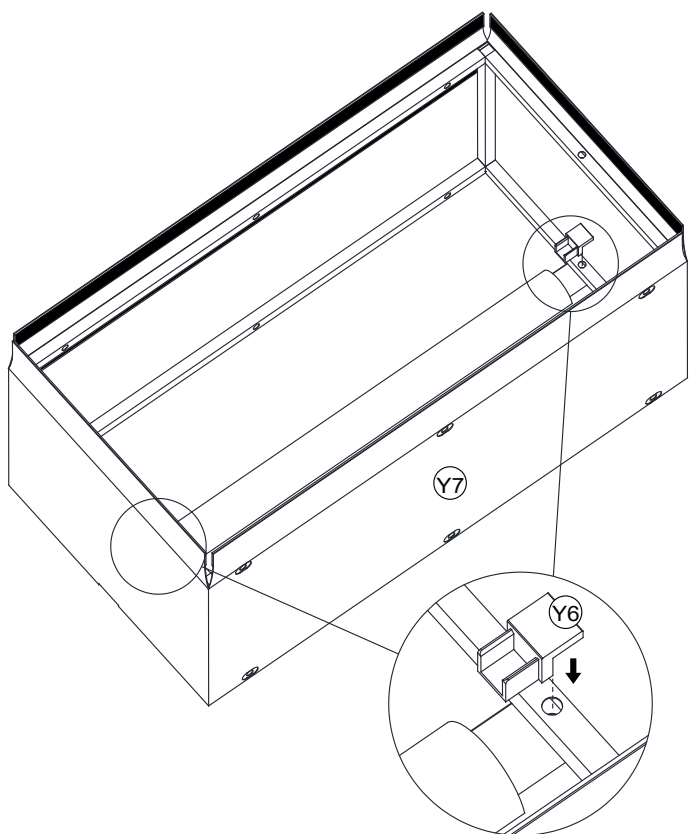
x3 29



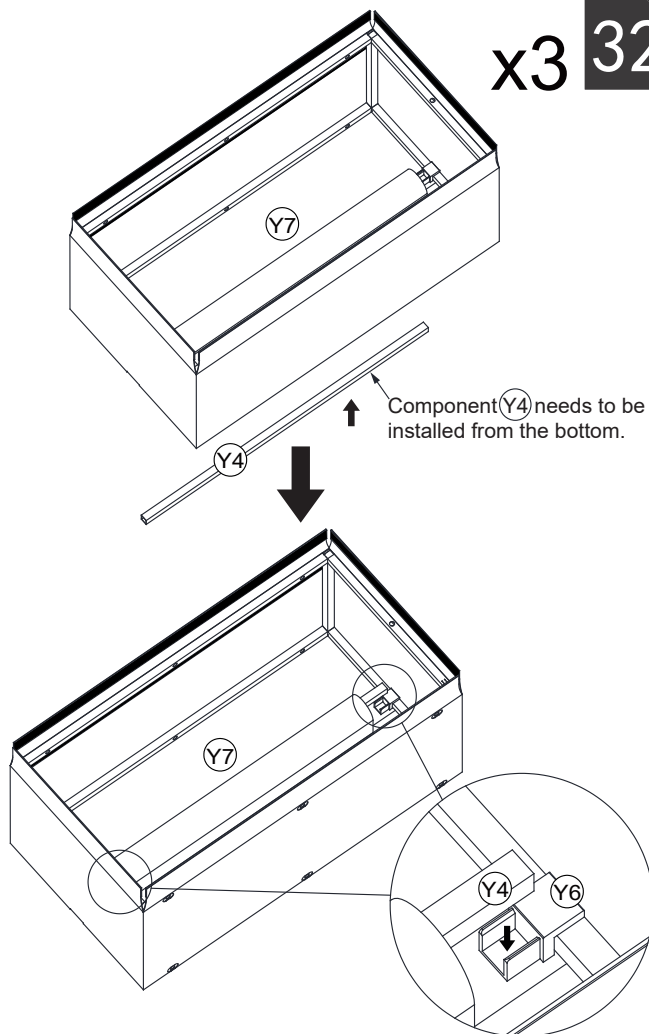
x3 30



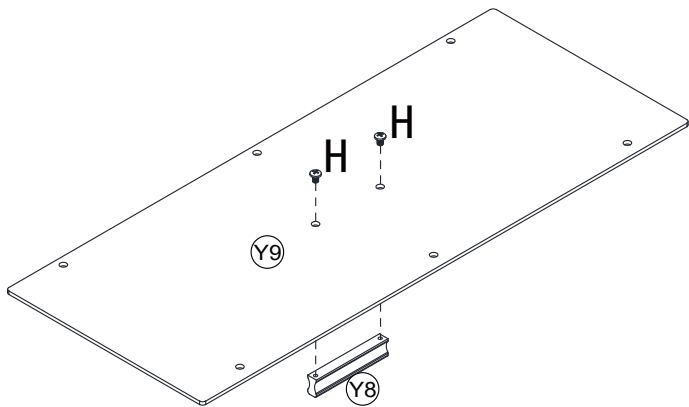
x3 31



x3 32

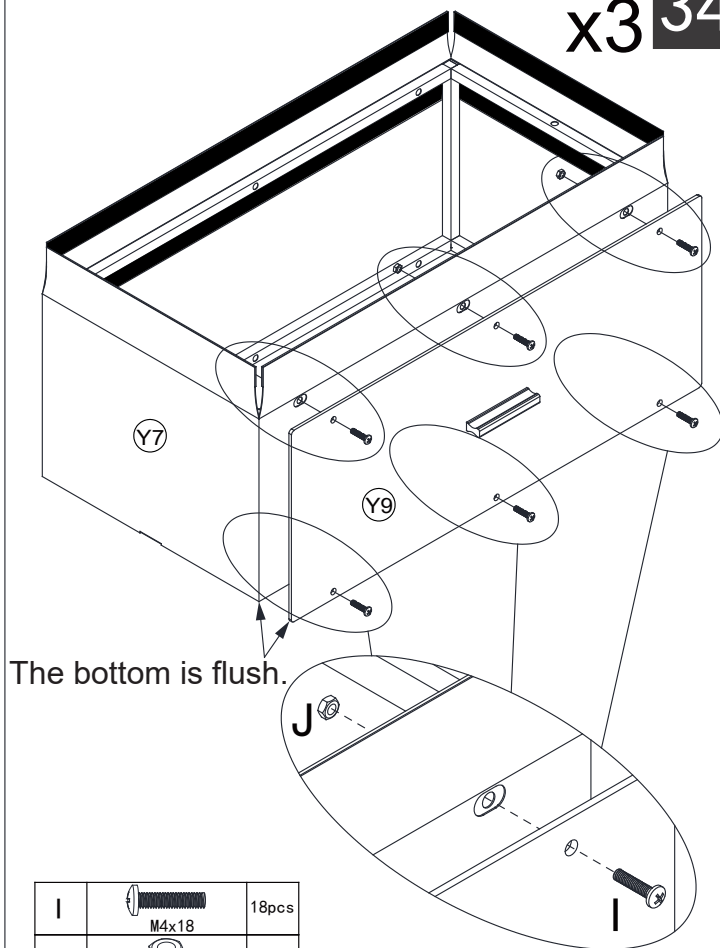




x3 33



H	 M4x6	6pcs
---	------------------------------------------------------------------------------------------	------

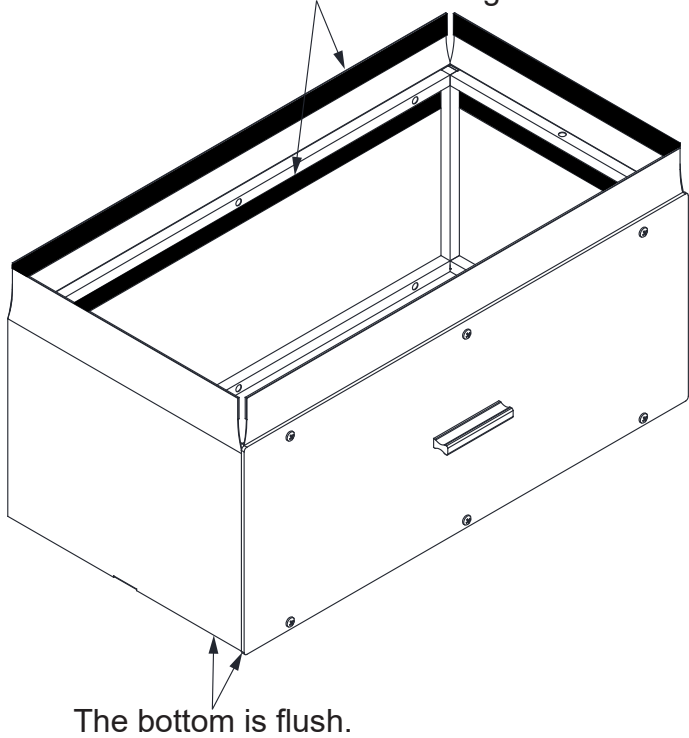
x3 34



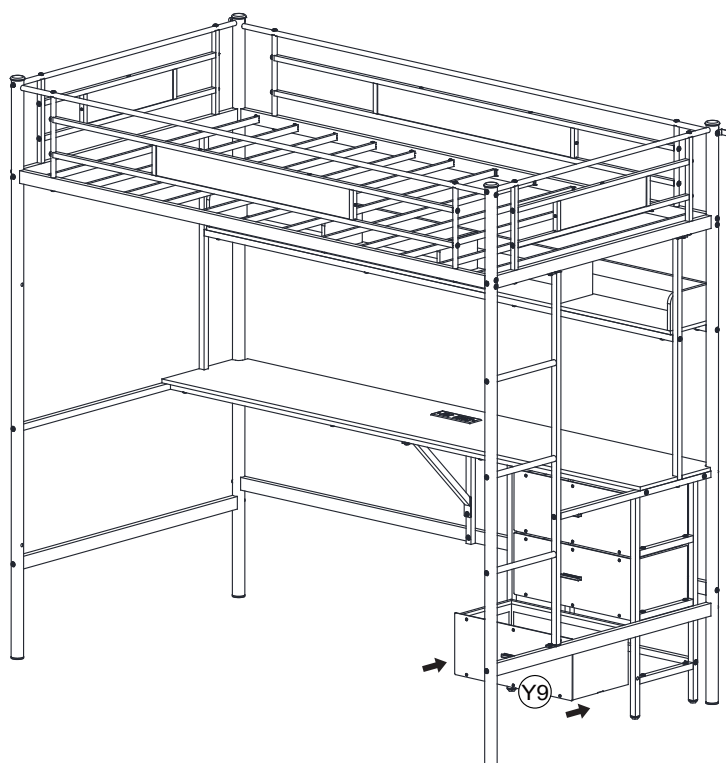
I	 M4x18	18pcs
J	 M4	18pcs

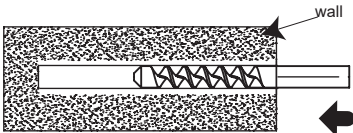
35

Stick the Velcro around the edges.

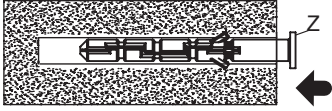


36

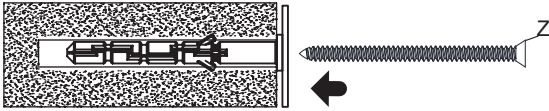




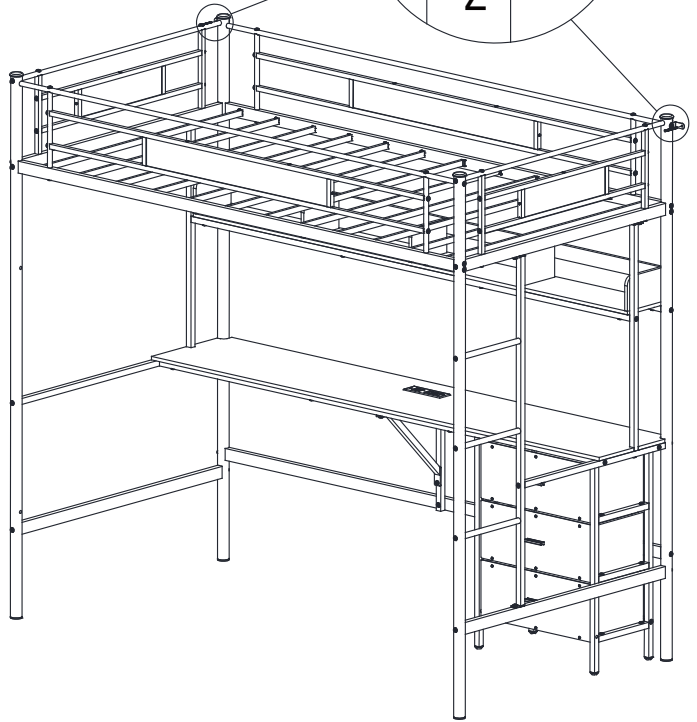
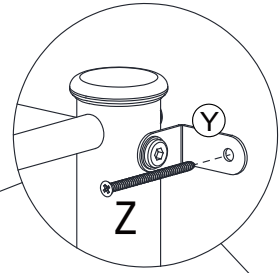
1: Using a drill bit with a diameter of 6, drill mounting holes where installation is required



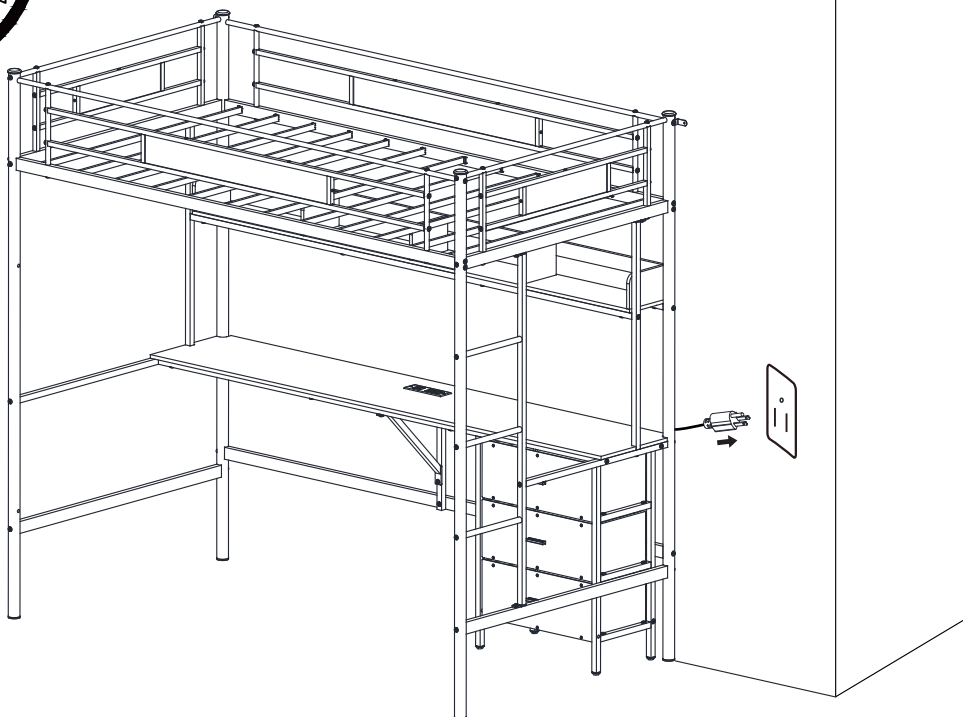
2: Place the expansion tube into the hole



3: Screw the screw together with the mounting part into the expansion pipe

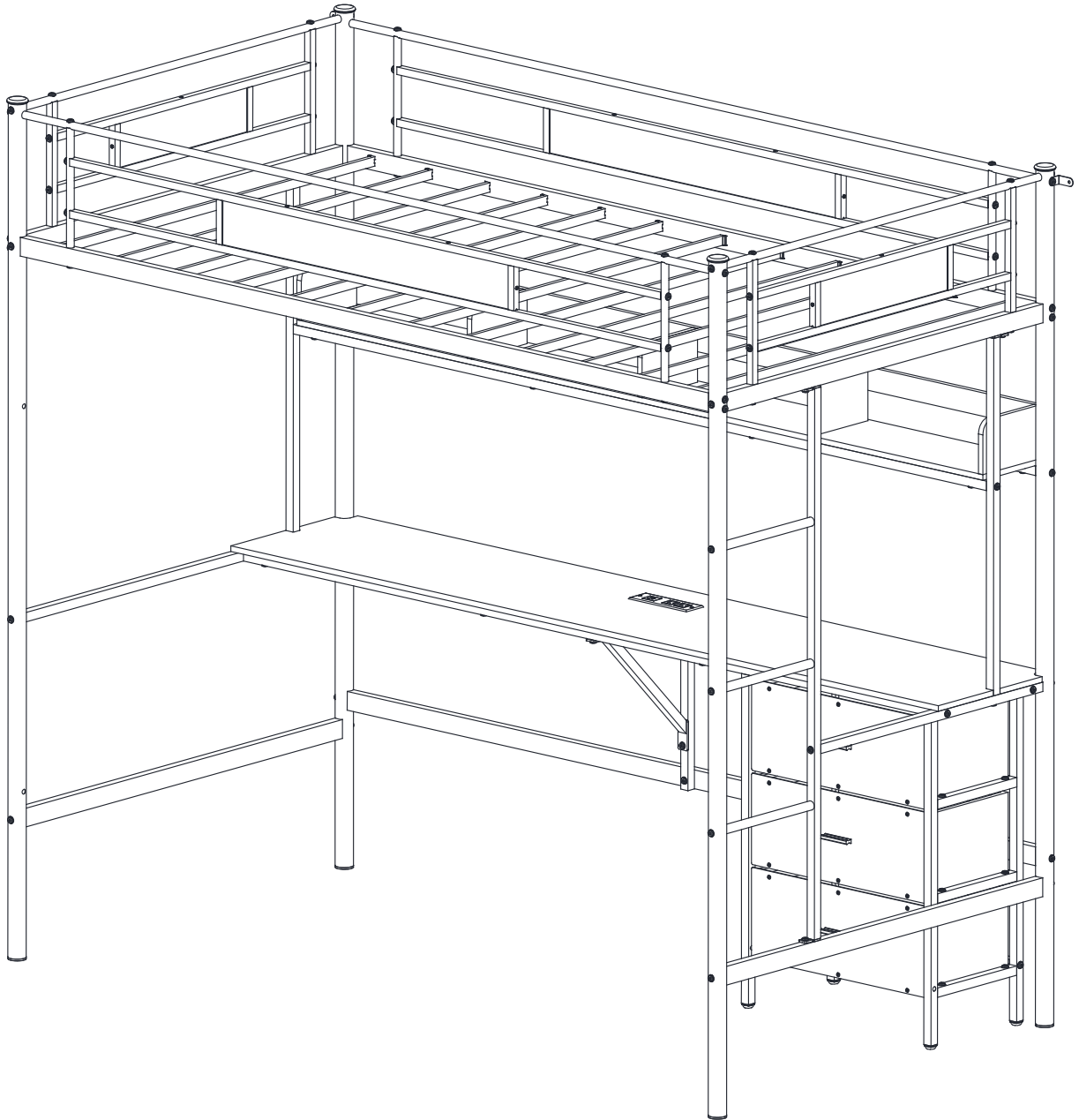


Type 1



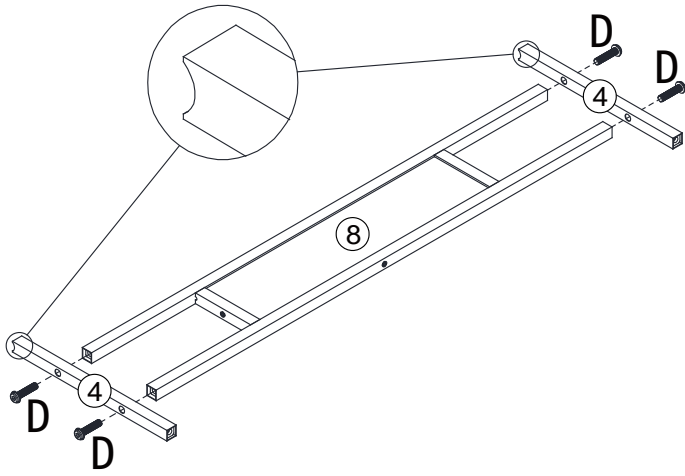
Finish


Type 2



1

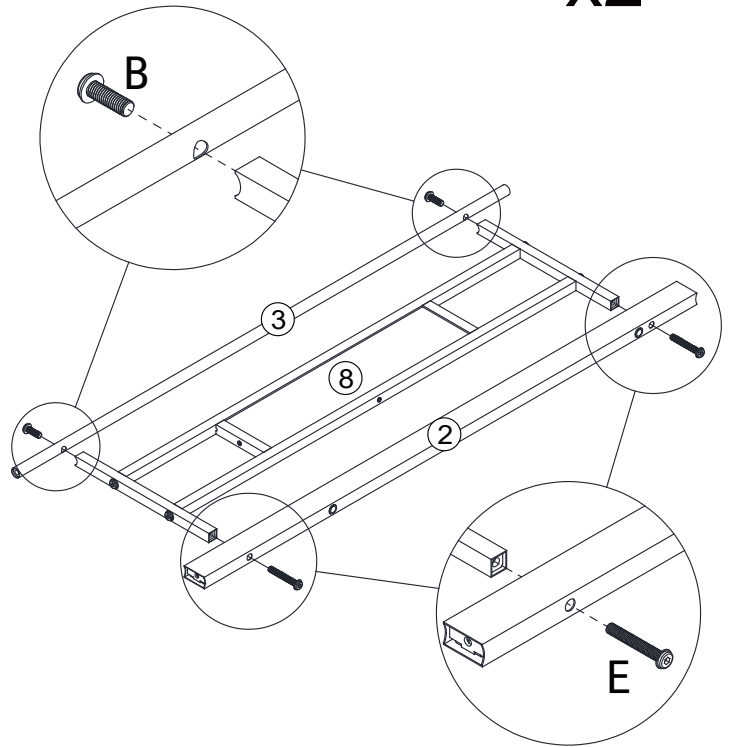
x2

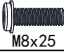



D		8pcs
	M8x35	

2

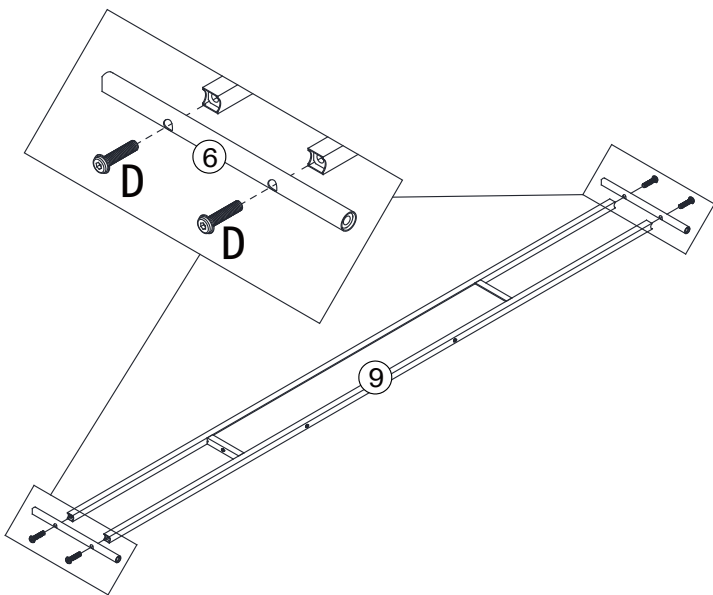
x2




B		4pcs
	M8x25	
E		4pcs
	M8x55	

3

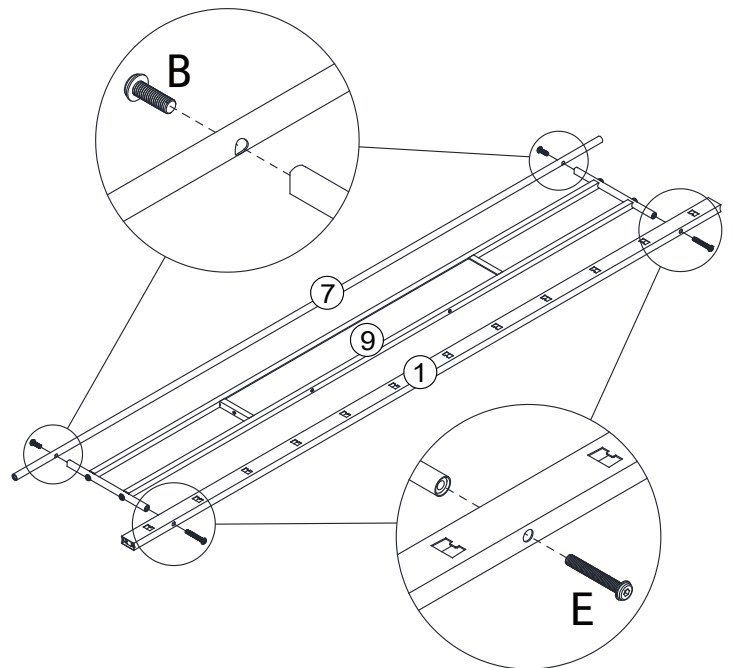
x2

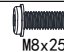



D		8pcs
	M8x35	

4

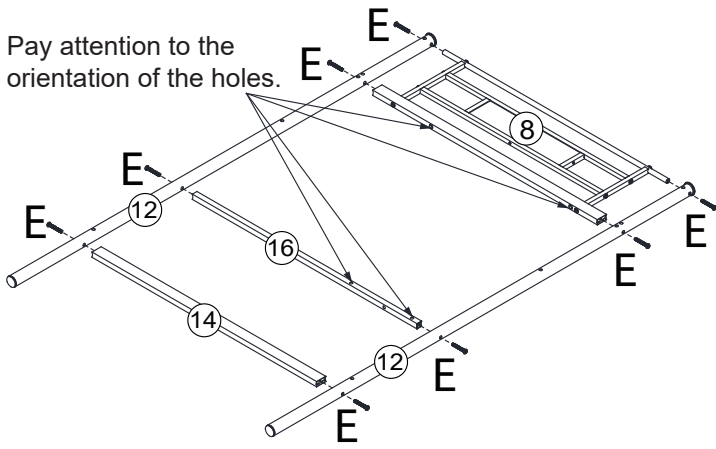
x2



B		4pcs
	M8x25	
E		4pcs
	M8x55	

5

Pay attention to the orientation of the holes.

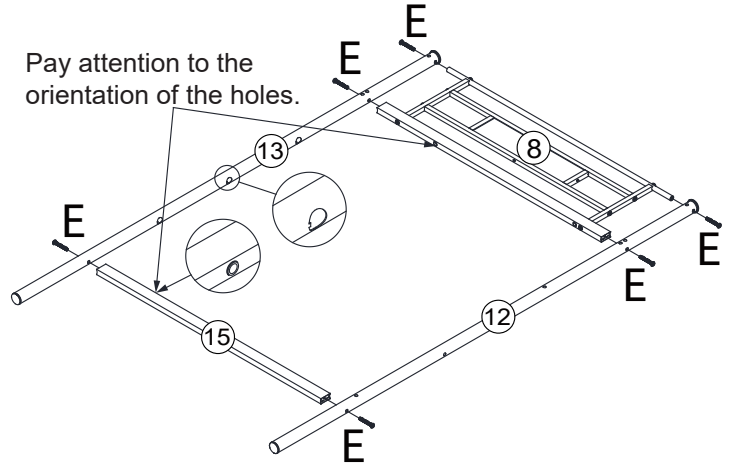


⚠ Do not fully tighten the screws yet.

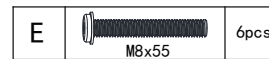


6

Pay attention to the orientation of the holes.

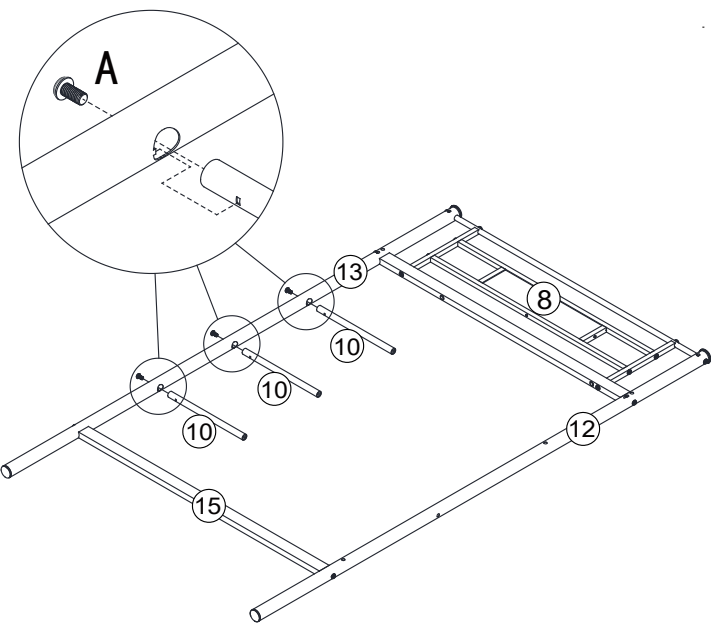


⚠ Do not fully tighten the screws yet.

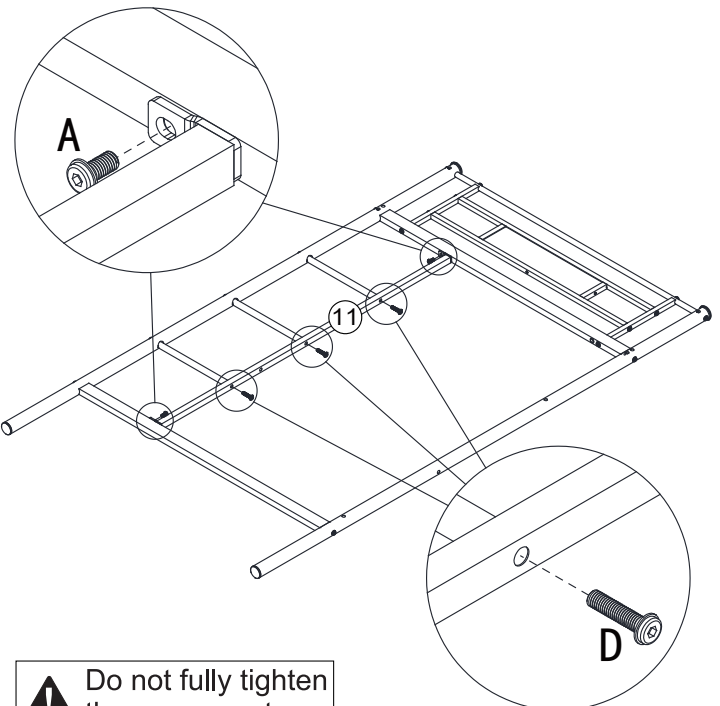


7

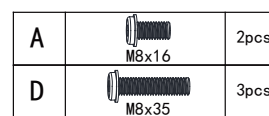
⚠ Do not fully tighten the screws yet.



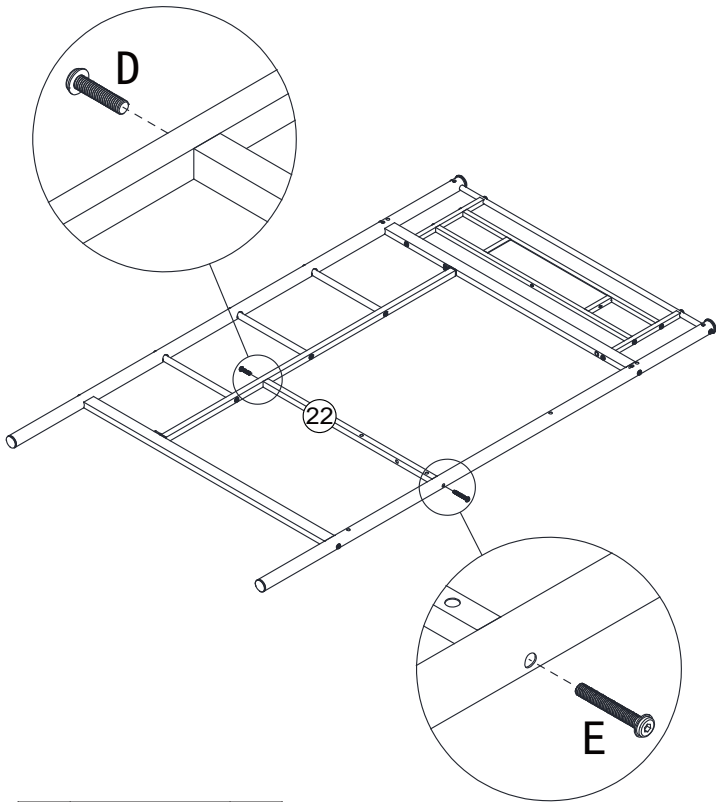
8





⚠ Do not fully tighten the screws yet.

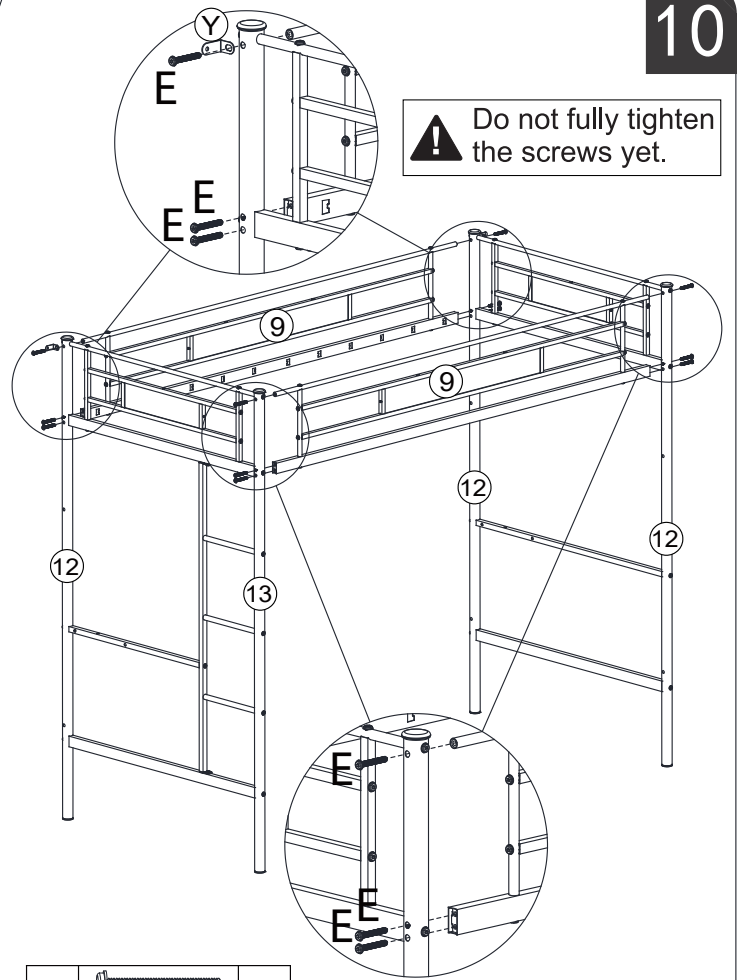


9



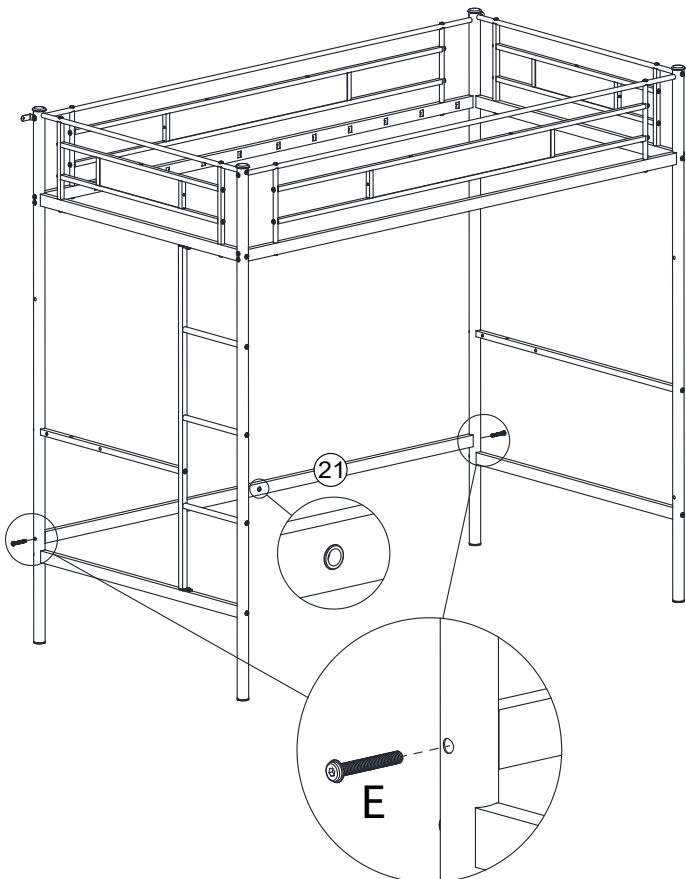
D	 M8x35	1pc
E	 M8x55	1pc


10



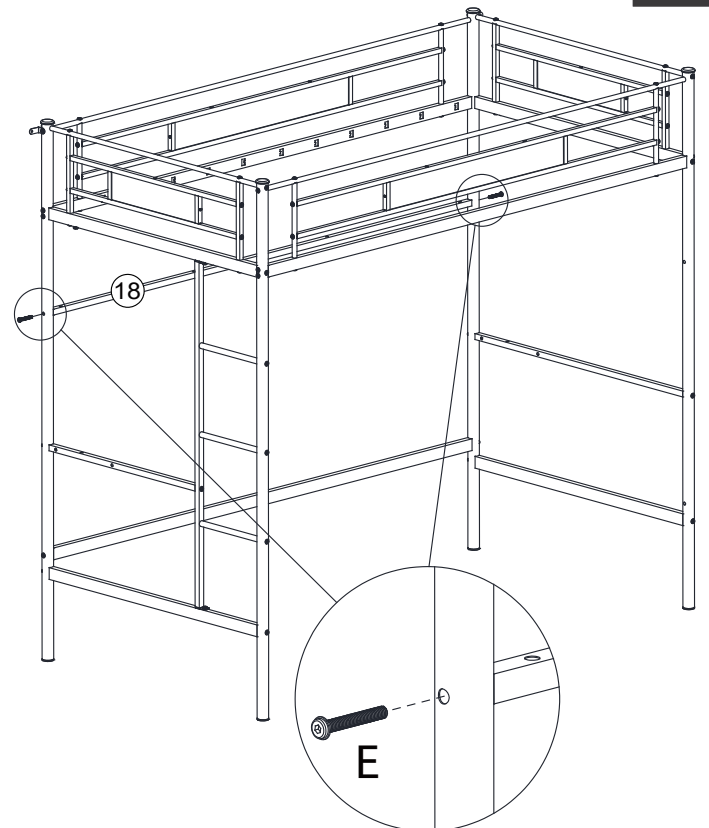
E	 M8x55	12pcs
---	----------------------------------------------------------------------------------------------	-------


11




E	 M8x55	2pcs
---	----------------------------------------------------------------------------------------------	------

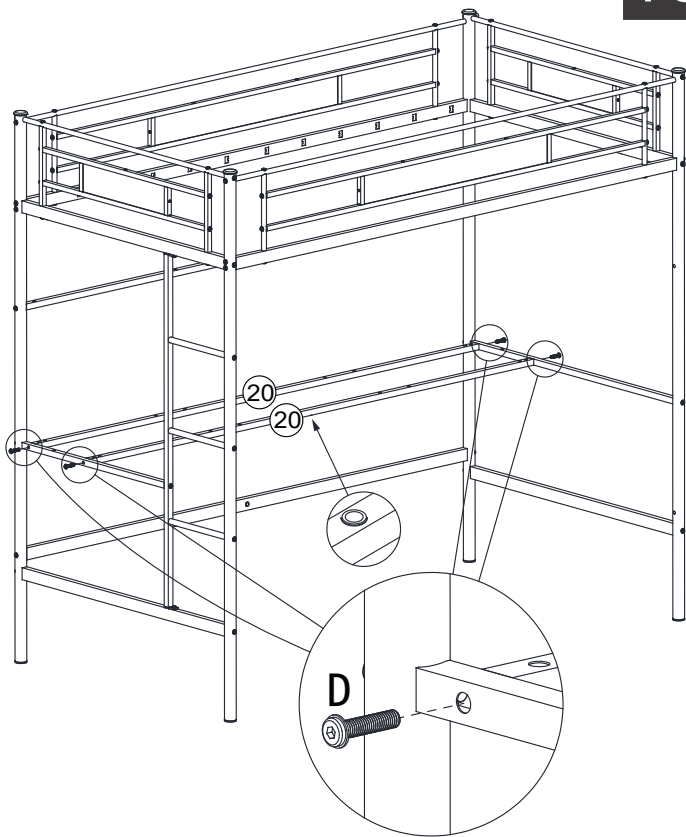
12




E	 M8x55	2pcs
---	----------------------------------------------------------------------------------------------	------

 Do not fully tighten the screws yet.

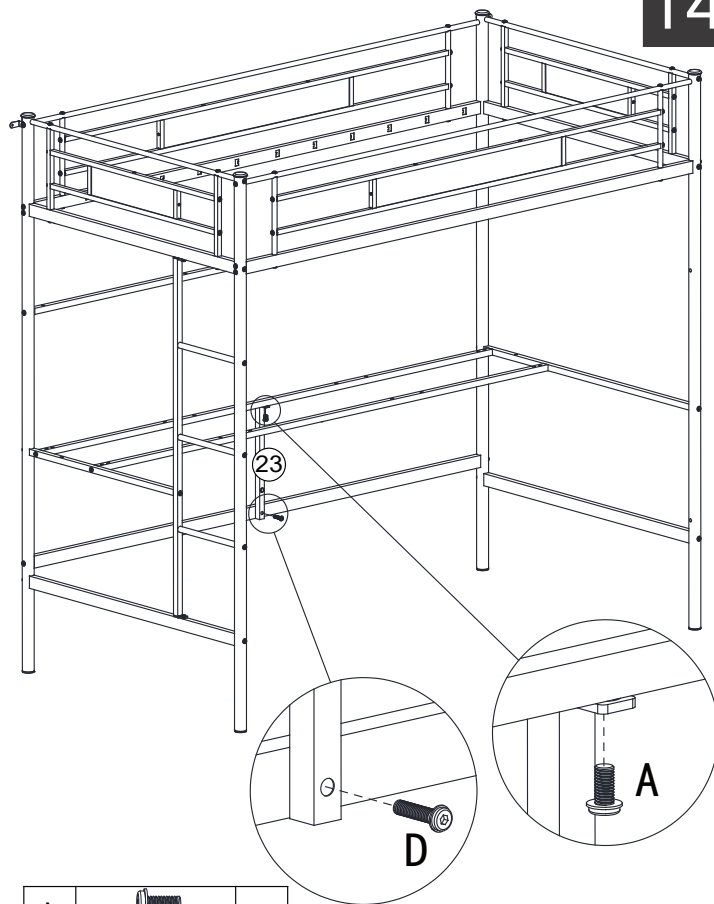
13





D		4pcs
M8x35		

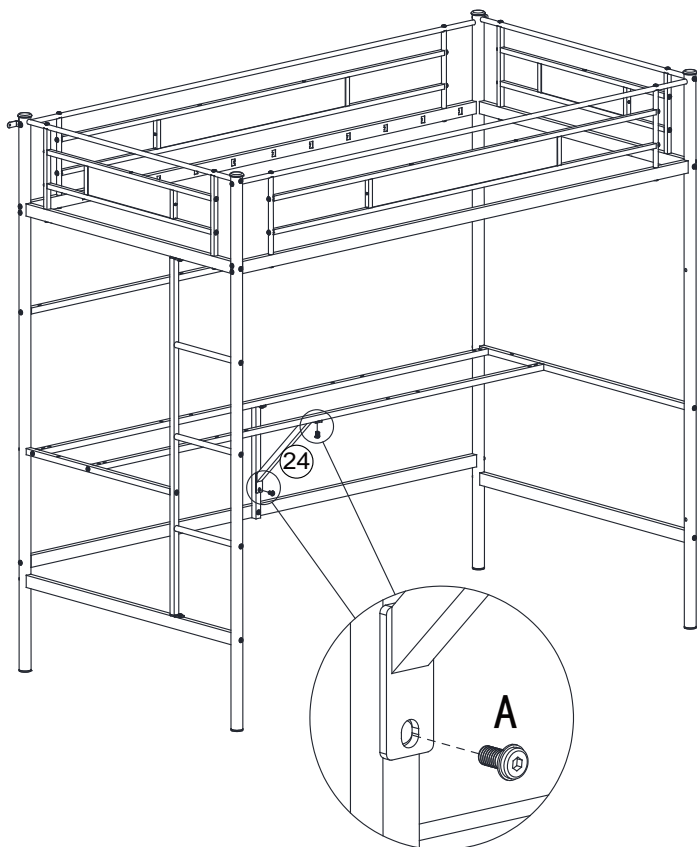
! Do not fully tighten the screws yet.

14



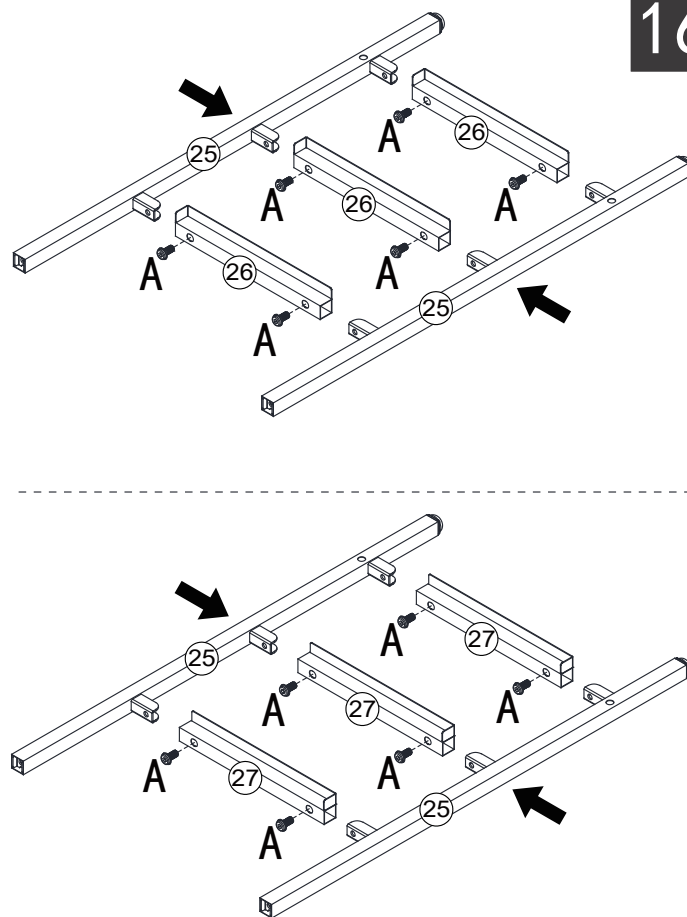
A		1pc
M8x16		
D		1pc
M8x35		

15



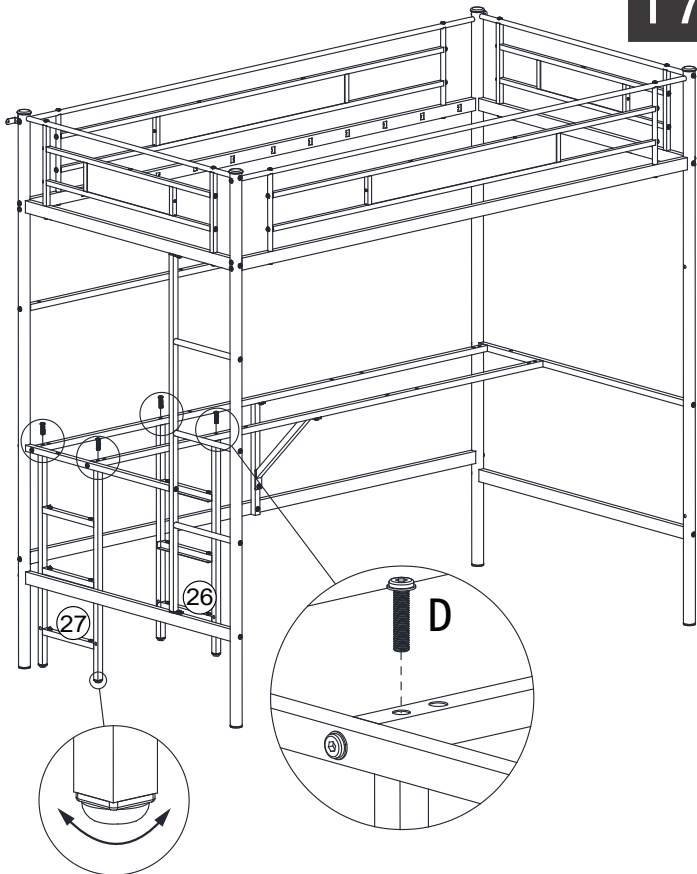
A		2pcs
M8x16		

16




A		12pcs
M8x16		

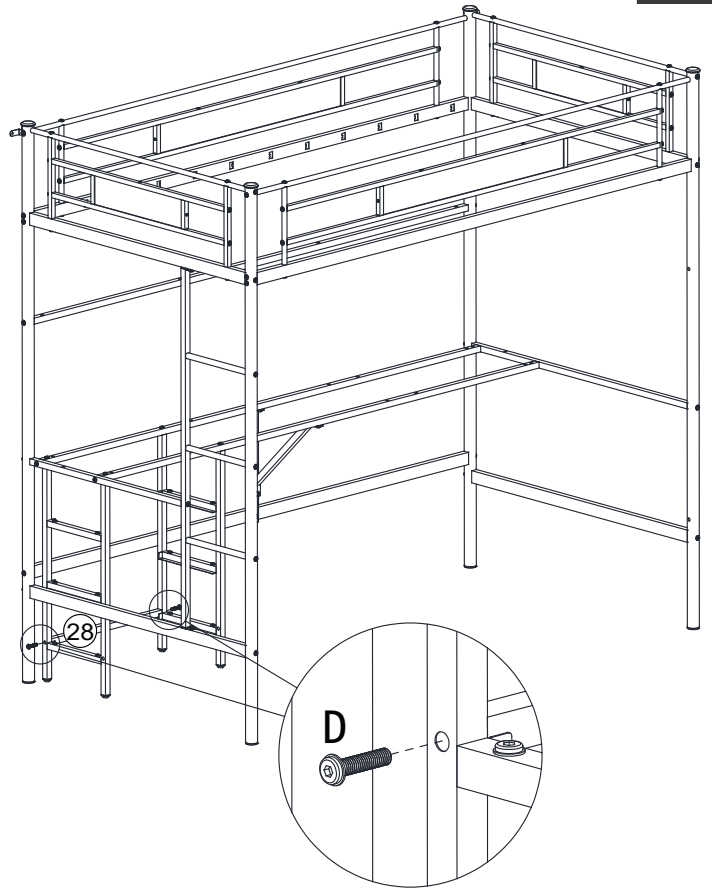
17



adjustable

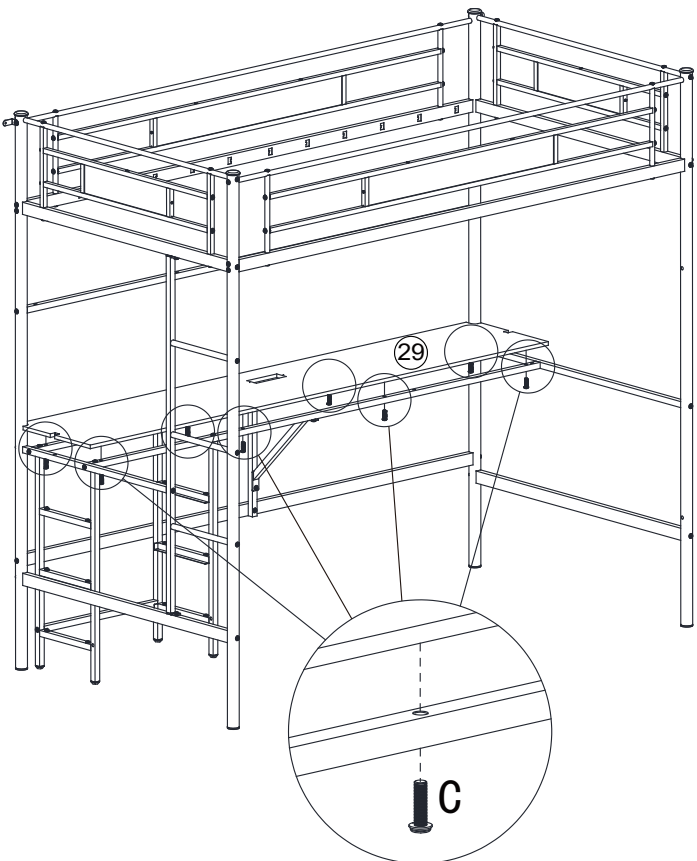
D		4pcs
	M8x35	

18



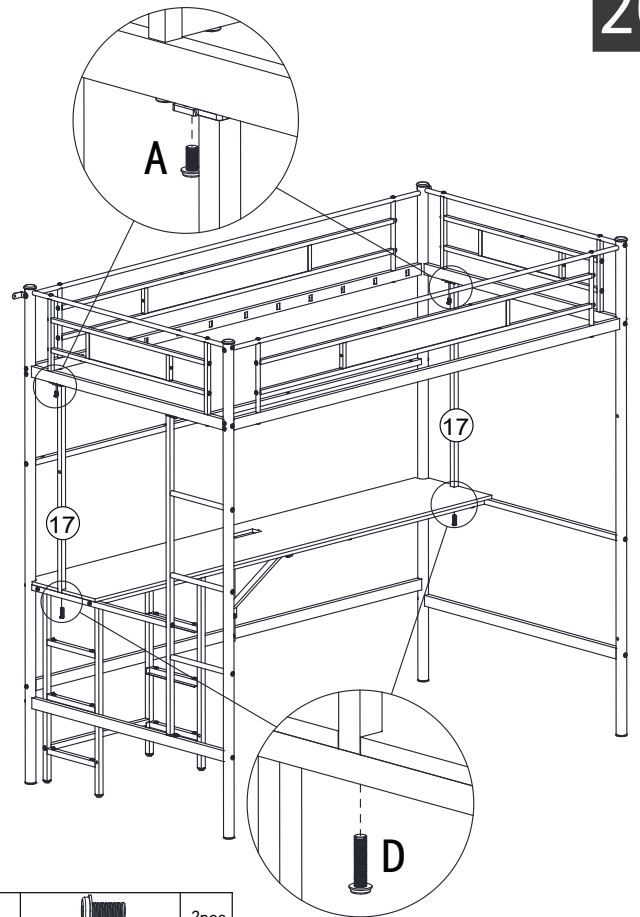
D		2pcs
	M8x35	



19



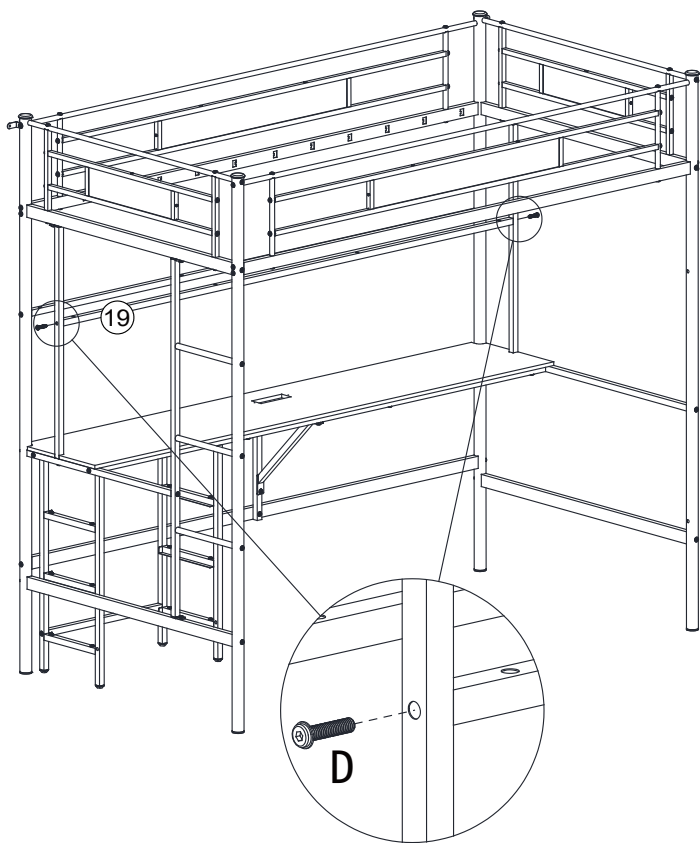
C		8pcs	white zinc
	M8x30		


20




A		2pcs
	M8x16	
D		2pcs
	M8x35	

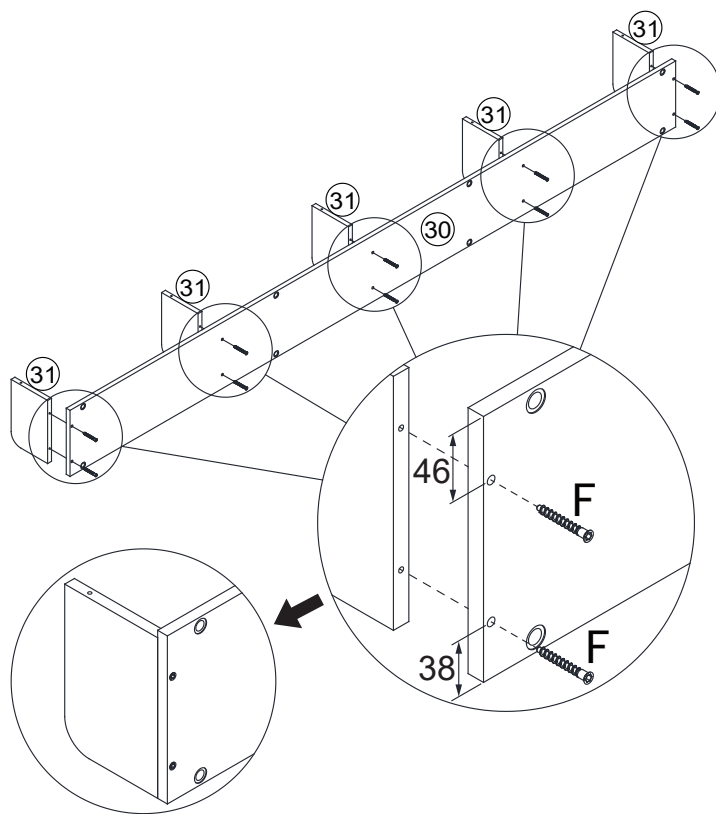
21




D		2pcs
M8x35		

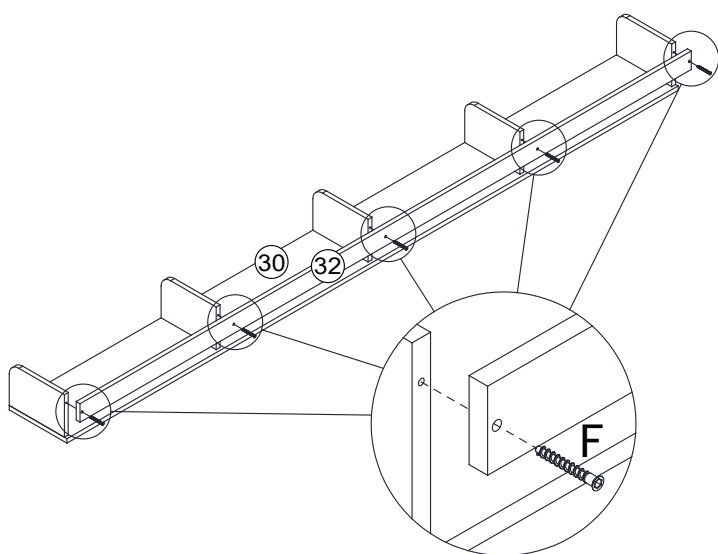
 Do not fully tighten the screws yet.

22



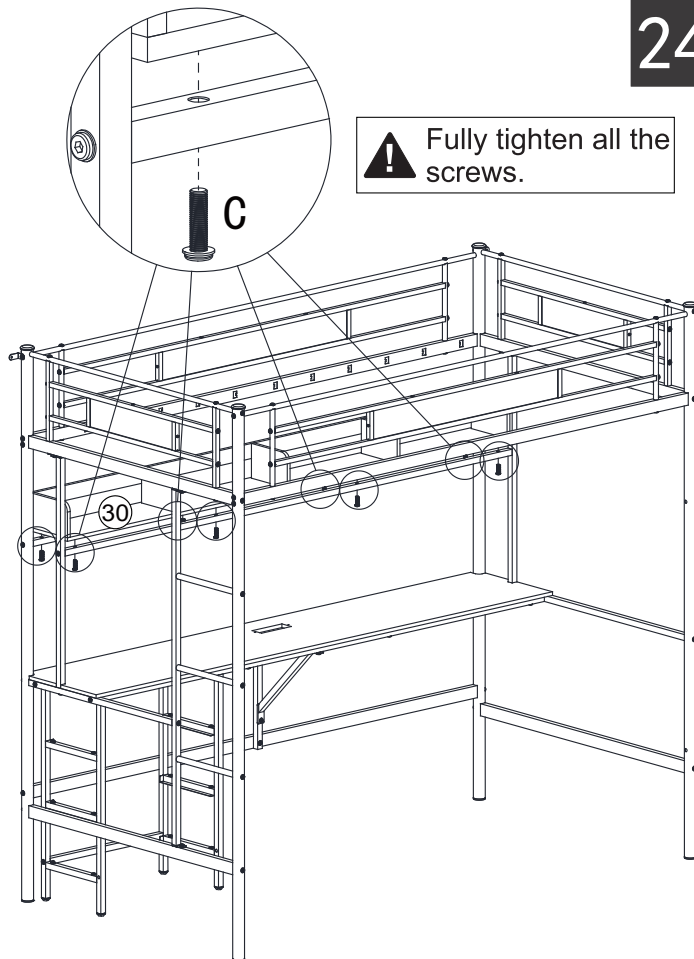
F		10pcs
M5x40		


23



F		5pcs
M5x40		

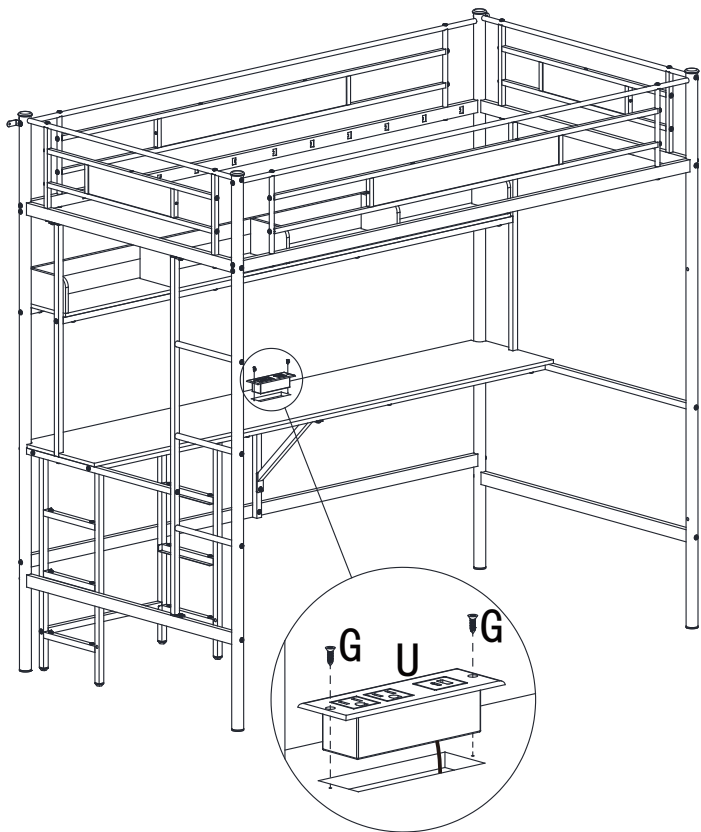
24



 Fully tighten all the screws.

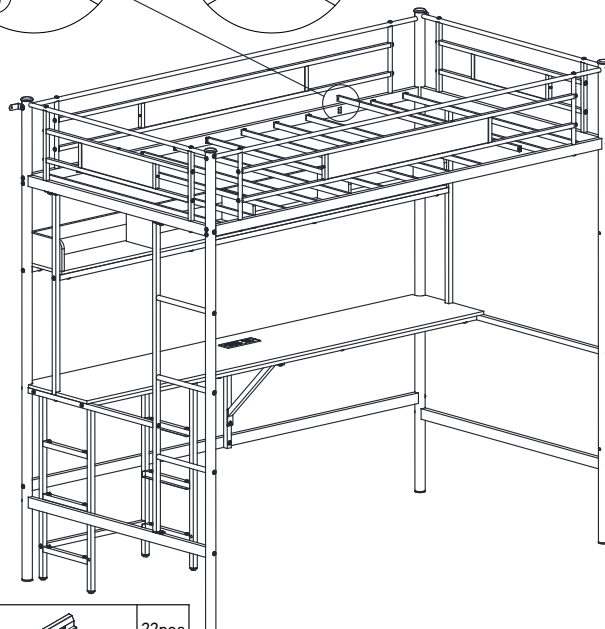
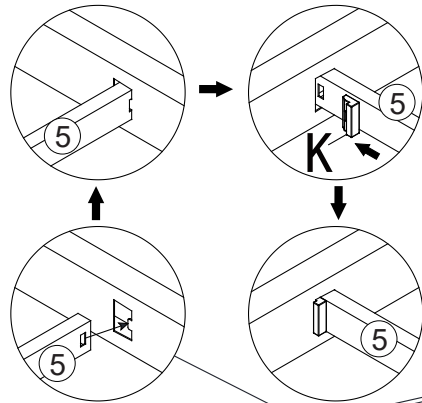
C		8pcs	white zinc
M8x30			

25



G	 ST4x14	2pcs
---	--------------------------------------------------------------------------------------------	------

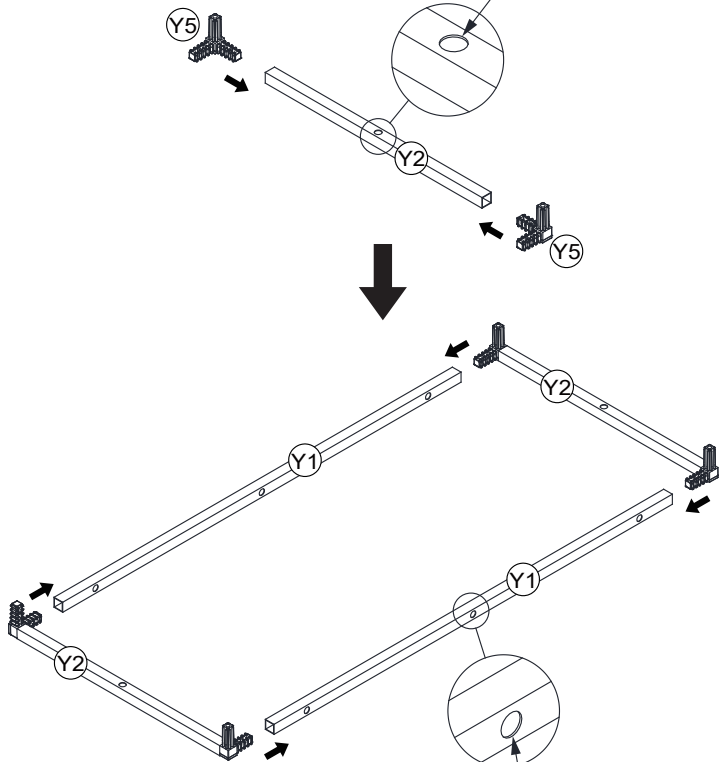
26



K		22pcs
---	-------------------------------------------------------------------------------------	-------

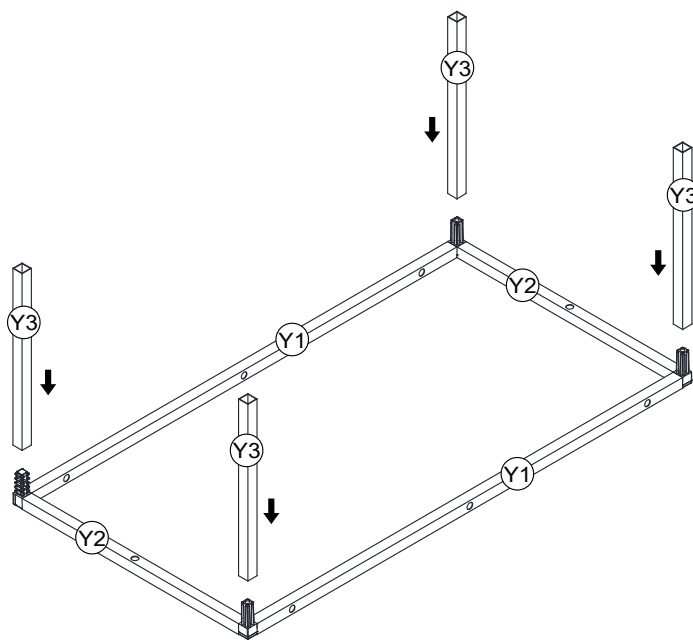
x6 27

Pay attention to the orientation of the holes.

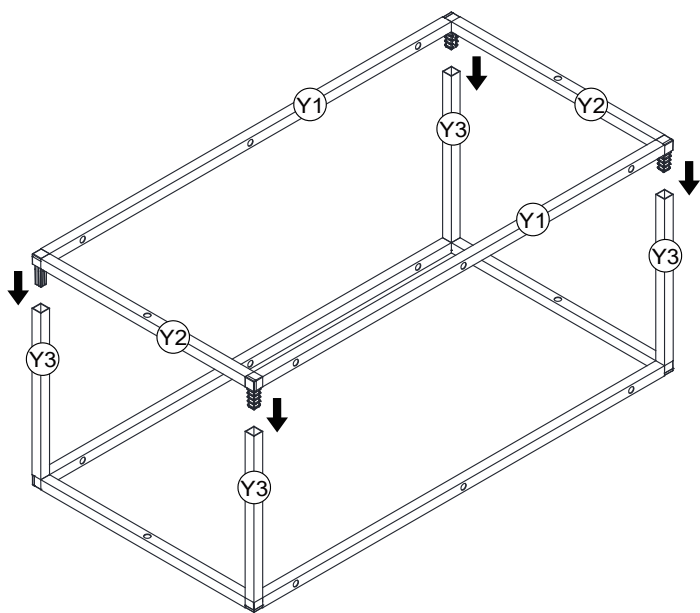


Pay attention to the orientation of the holes.

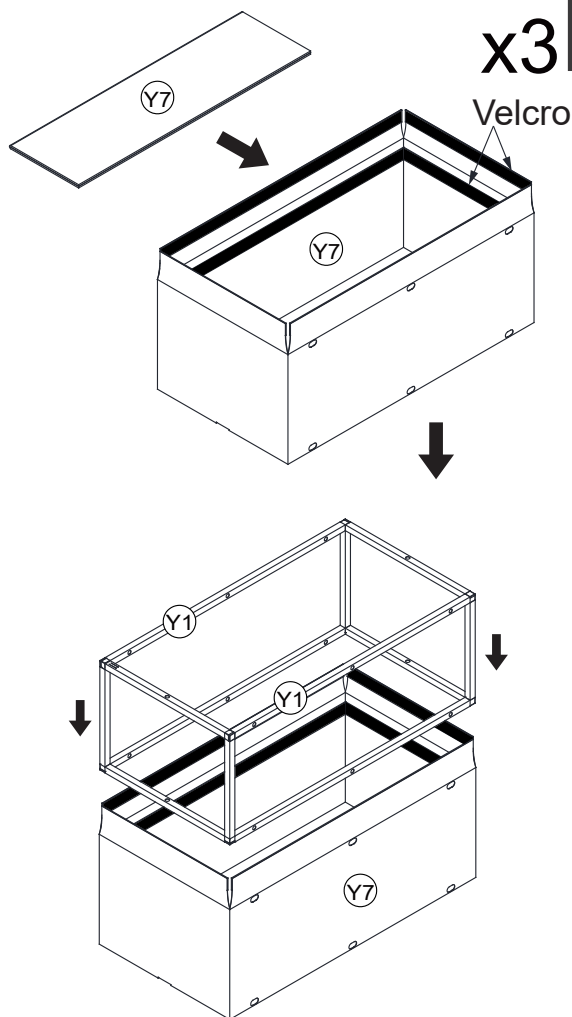
x3 28



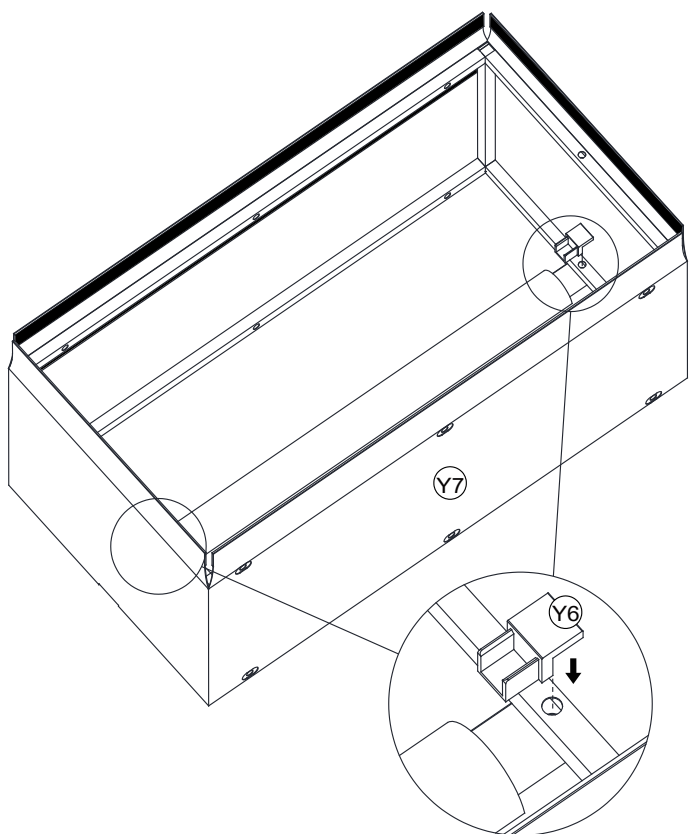
x3 29



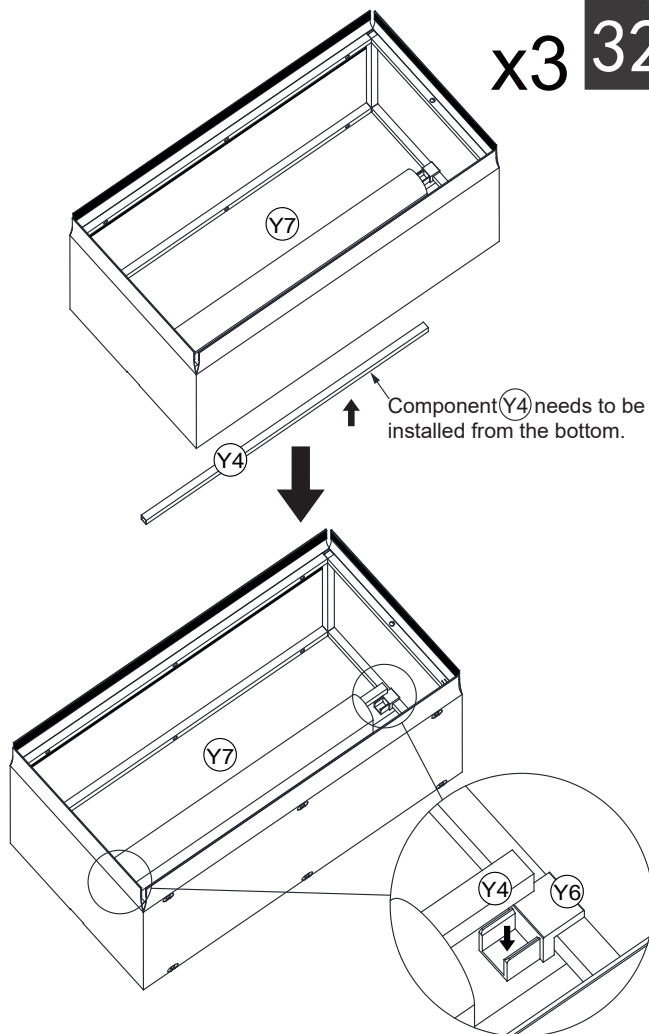
x3 30



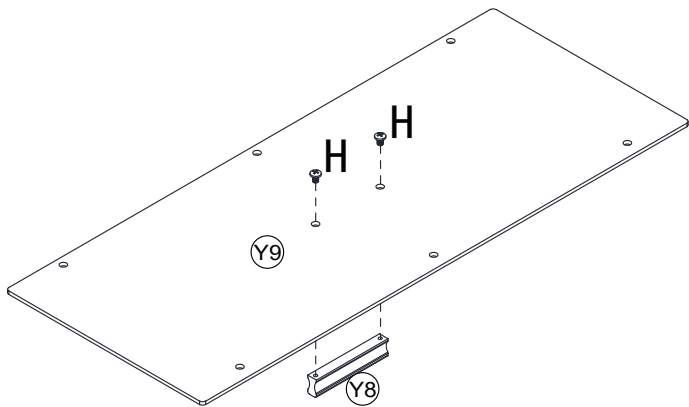
x3 31



x3 32

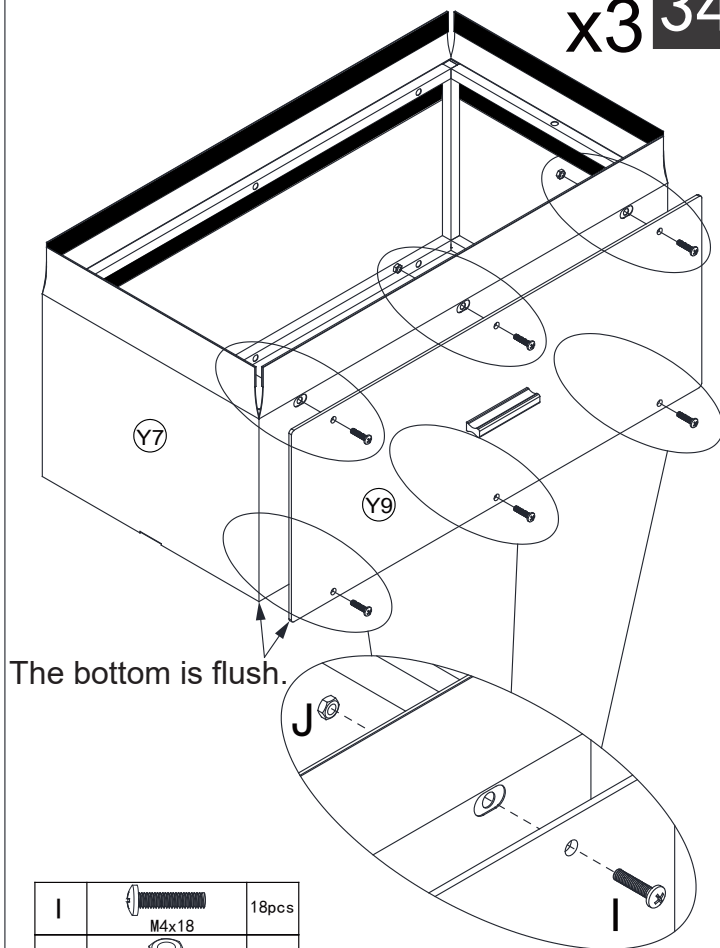




x3 33



H		6pcs
	M4x6	

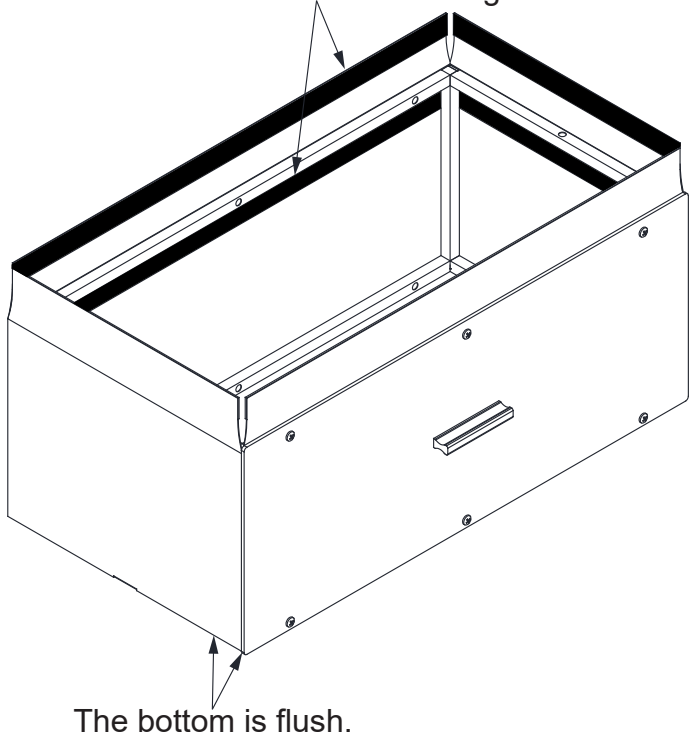
x3 34



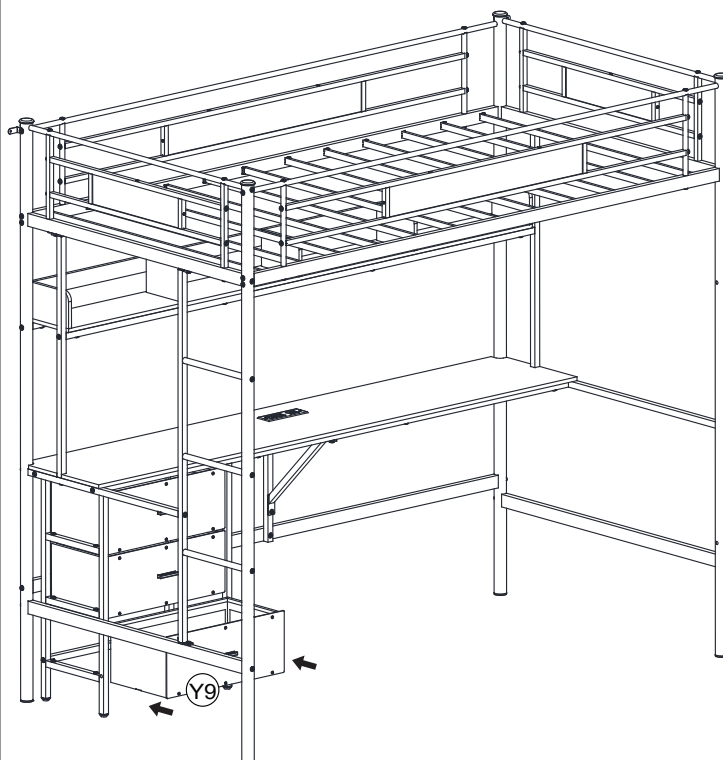
I		18pcs
	M4x18	
J		18pcs
	M4	

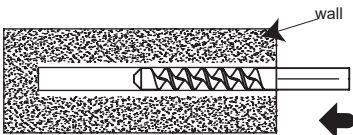
35

Stick the Velcro around the edges.

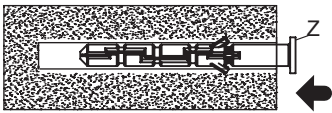


36

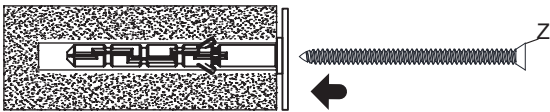




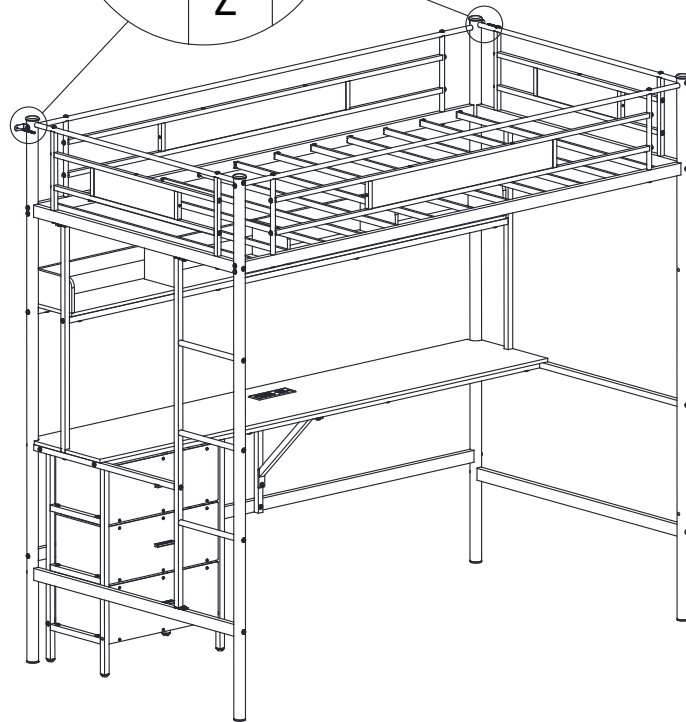
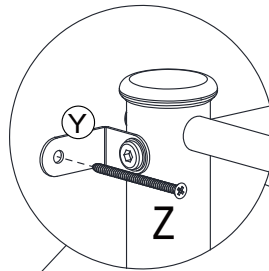
1: Using a drill bit with a diameter of 6, drill mounting holes where installation is required



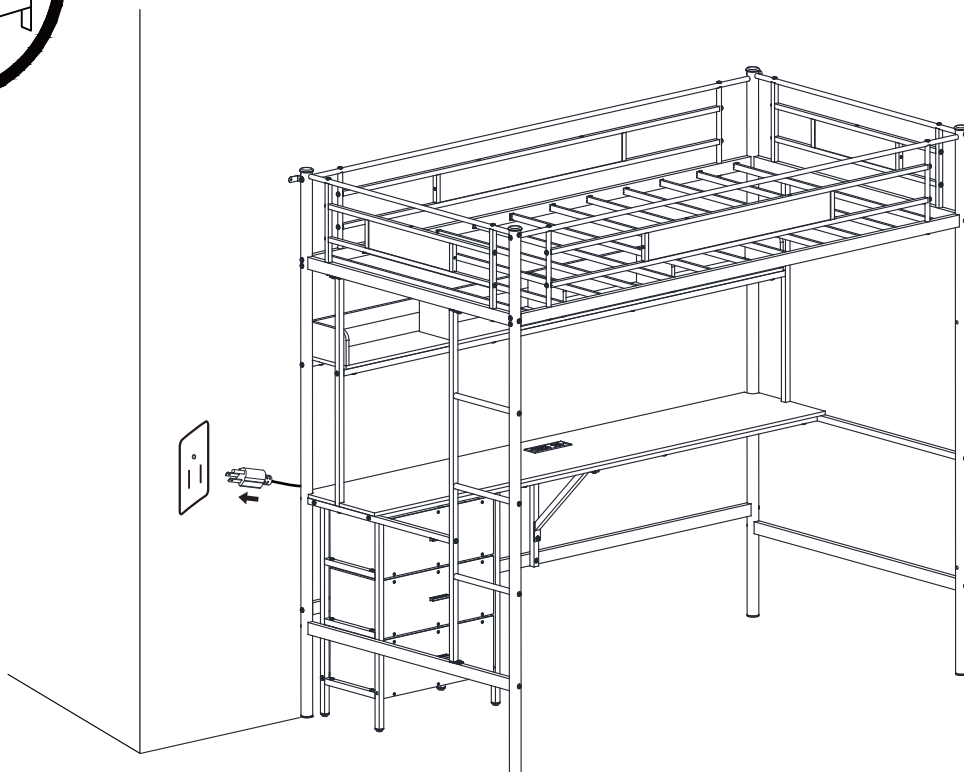
2: Place the expansion tube into the hole



3: Screw the screw together with the mounting part into the expansion pipe



Type 2



Finish