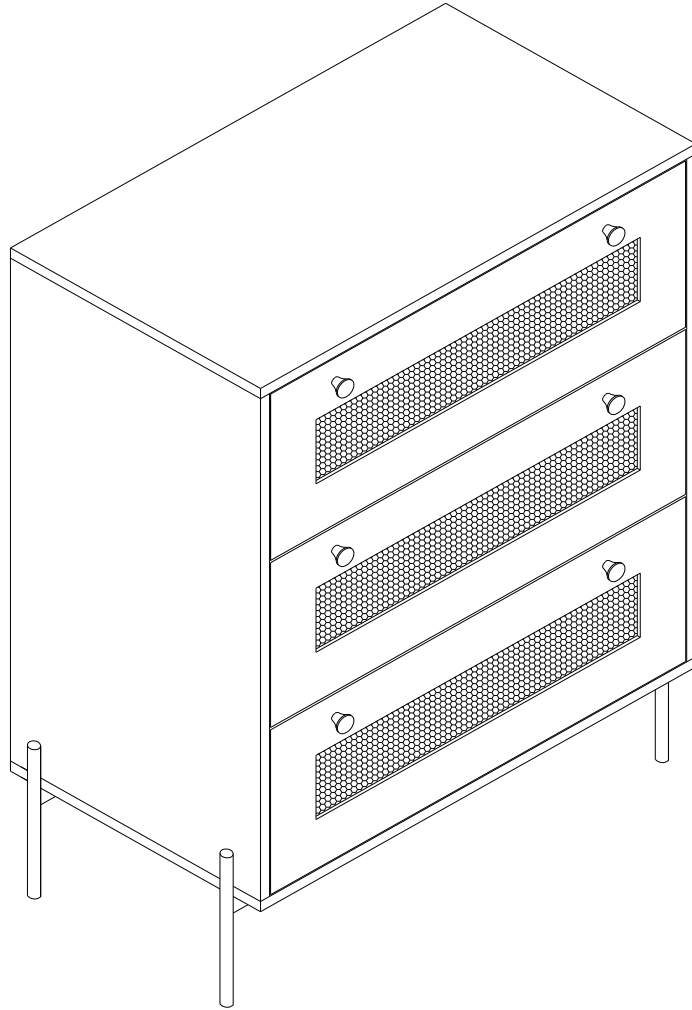


Assembly | Asamblea | Assemblage

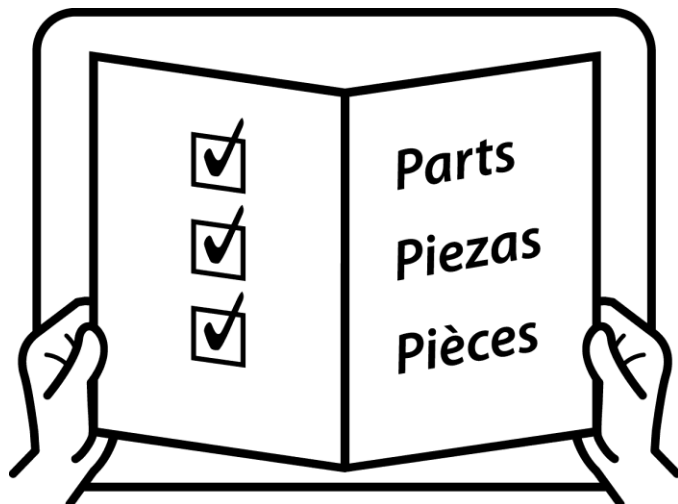
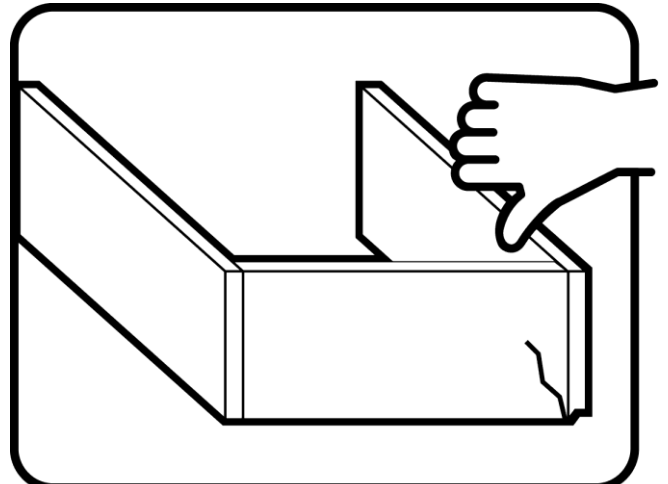
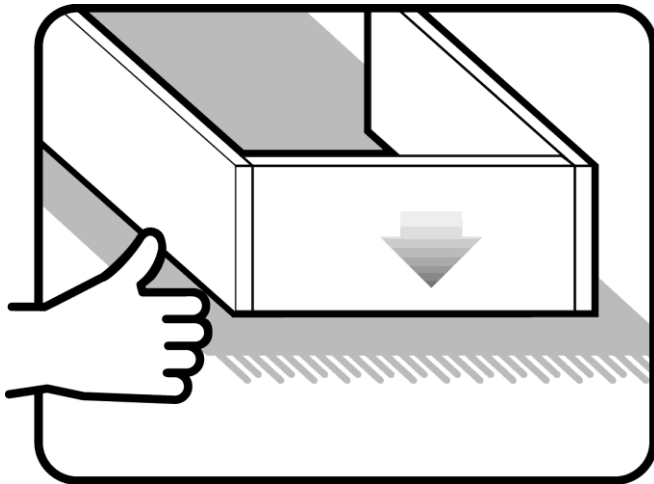
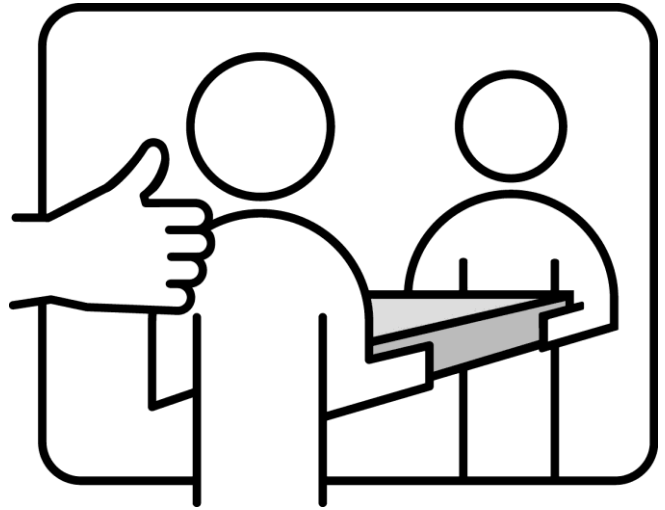
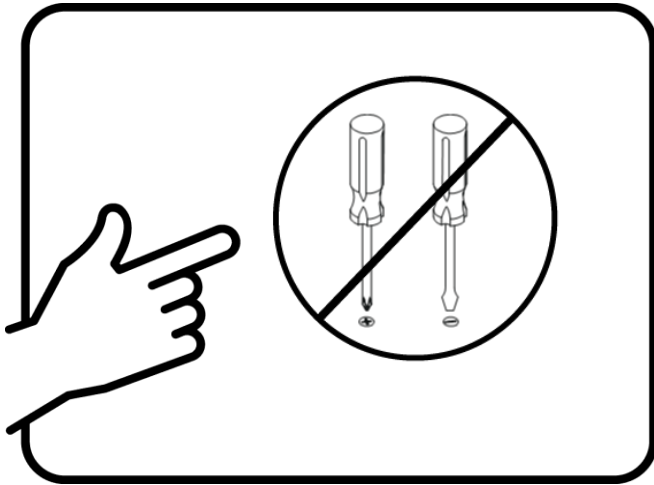
PO#



Product number | Número de producto | Numéro de produit

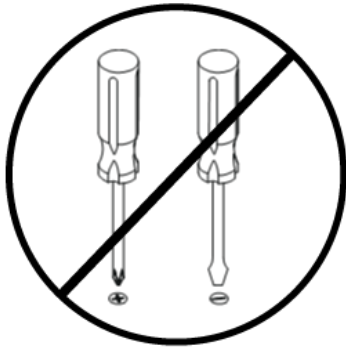
Thank you for your purchase! | ¡Gracias por tu compra! | Merci pour votre achat!

Assembly | Asamblea | Assemblage



Assembly | Asamblea | Assemblage

Techniques | Técnicas | Techniques



Care | Cuidado | Entretien



Safety | Seguridad | Sécurité

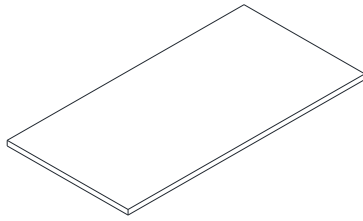


Note! | ¡Nota! | Remarque!



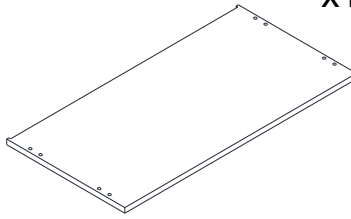
Assembly | Asambla | Assemblage

A x1



Top panel

B x1



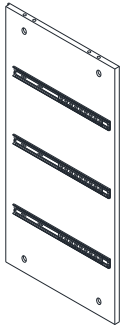
Bottom Panel

C x1



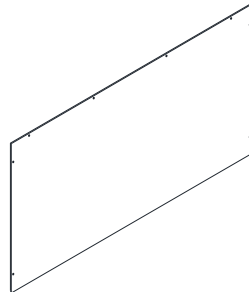
Left Side Panel

D x1



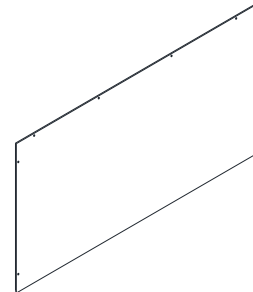
Right Side Panel

E x1



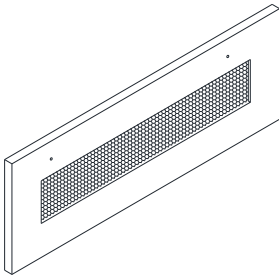
Back Panel

F x1



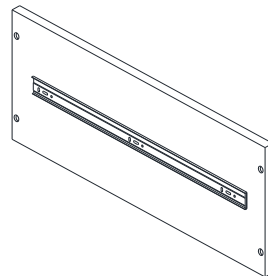
Back Panel

G x3



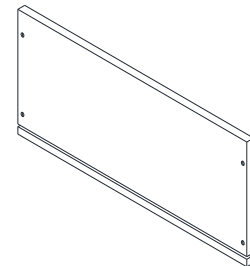
Drawer Face Panel

H x3



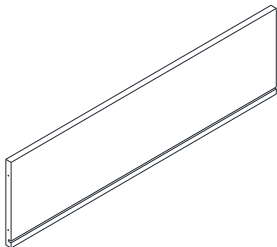
Drawer Left Side Panel

I x3



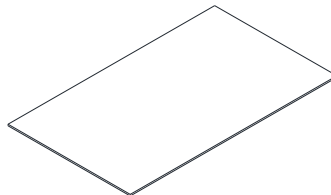
Drawer Right Side Panel

J x3



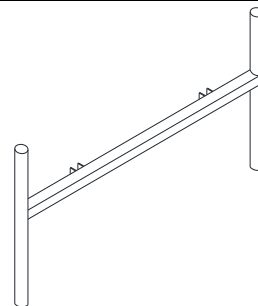
Drawer Back Side Panel

K x3



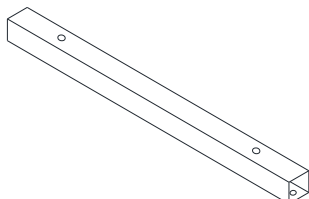
Drawer Bottom Panel

L x2




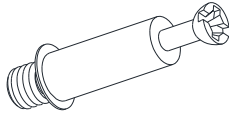
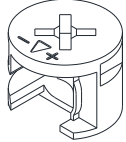
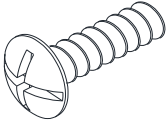
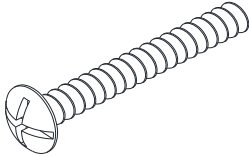
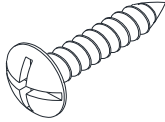
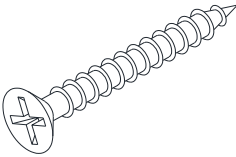
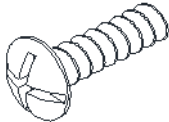
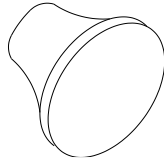
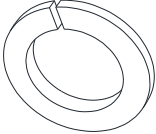
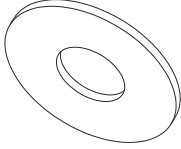
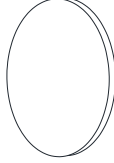
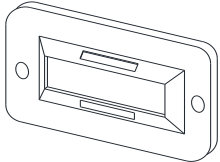
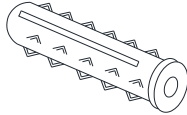
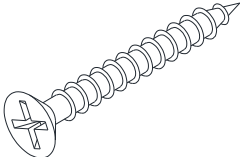

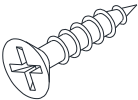
Leg frame

M x2



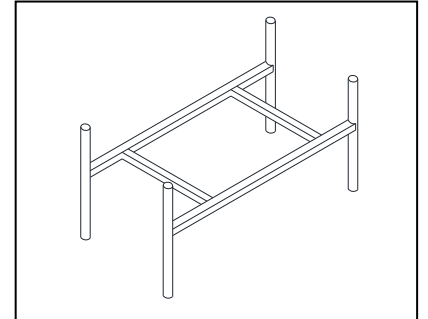
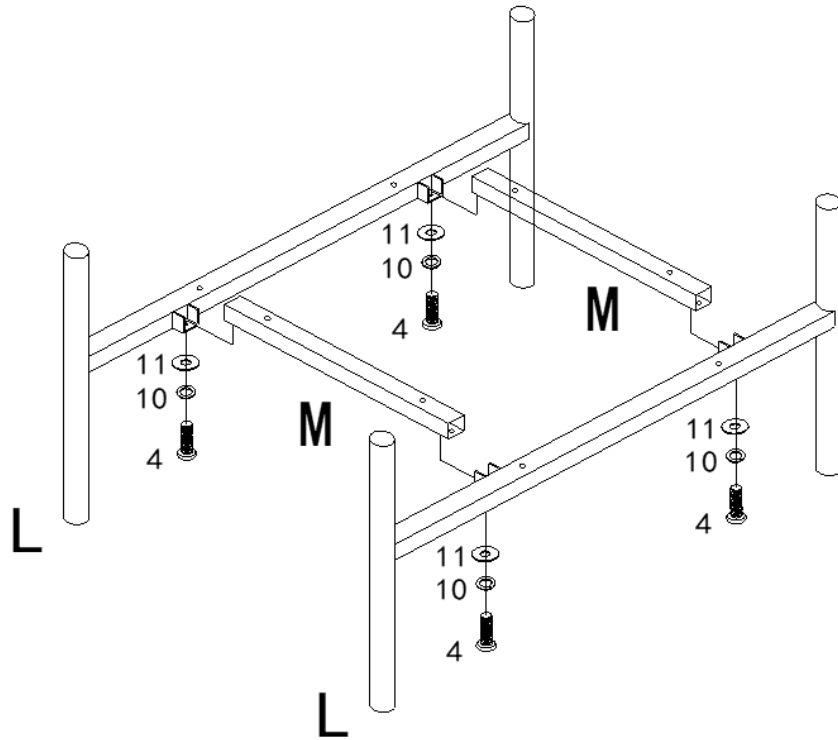
Leg Frame Connector

Assembly | Asamblea | Assemblage

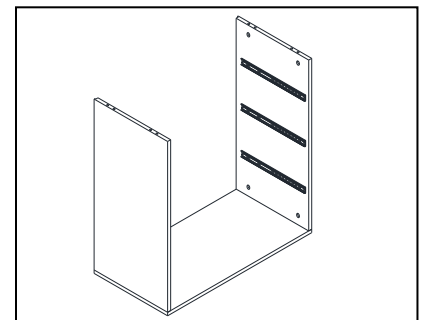
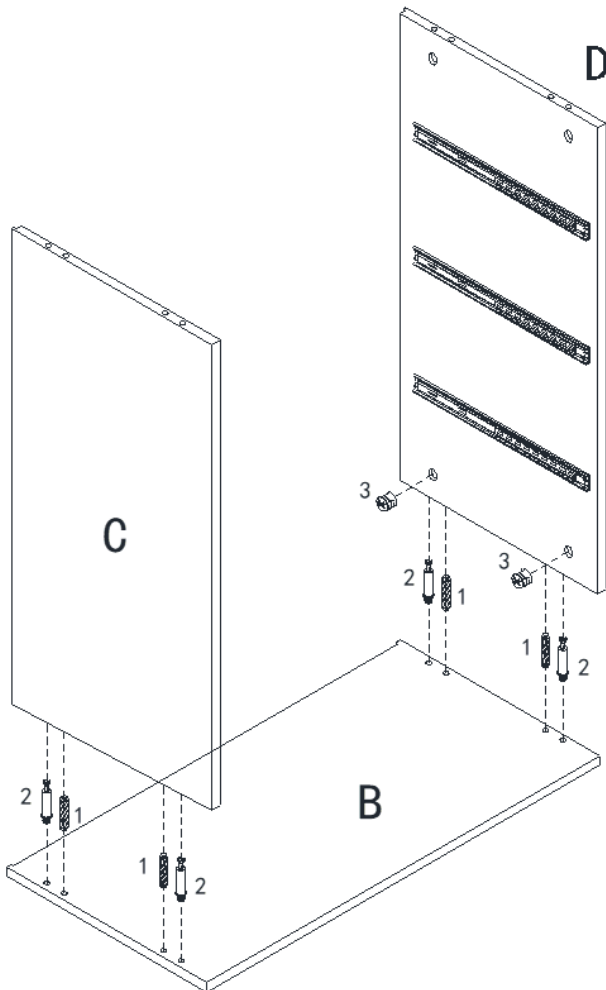
1	x8	2	x8	3	x8
					
Wood dowel		Cam Bolt		Cam Lock	
4	x4	5	x8	6	x16
					
Short Bolt		Long Bolt		Screw	
7	x24	8	x6	9	x6
					
Flat Head Long Screw		Bolt for Knob		knob	
10	x12	11	x12	12	x8
					
Spring Washer		Flat Washer		Plastic Cover	
13	x4	14	x4	15	x4
					
Bracket		Wall Anchor		Flat Head Long Screw	
16	x2	17	x4		
					
Plastic Chain		Screw			

Assembly | Asambla | Assemblage

1

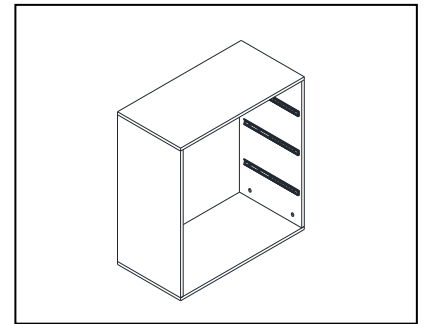
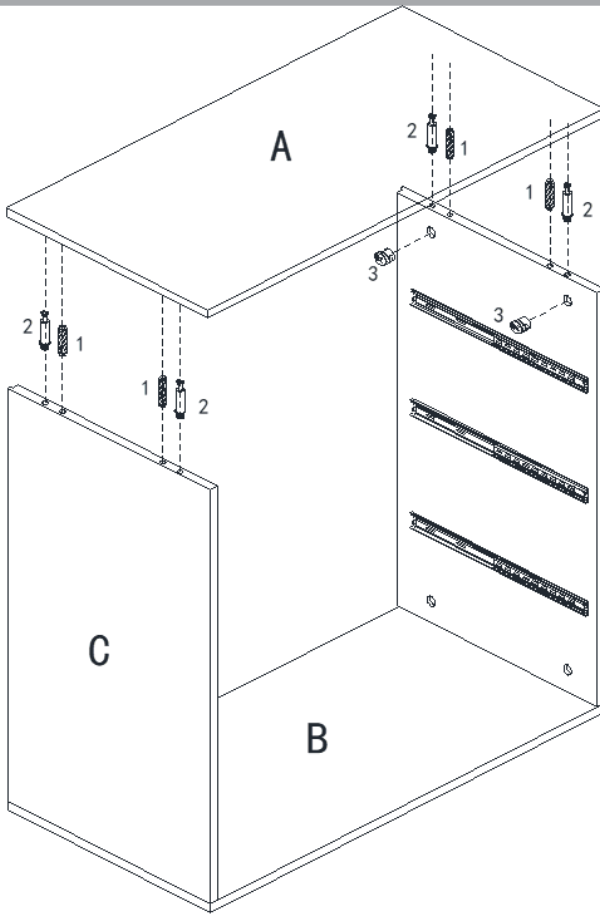


2

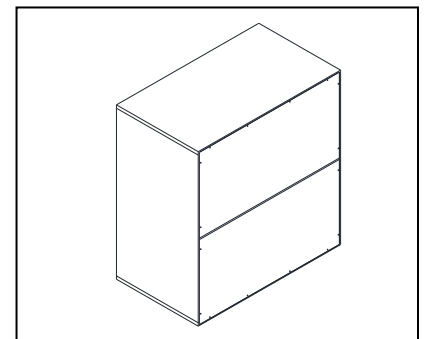
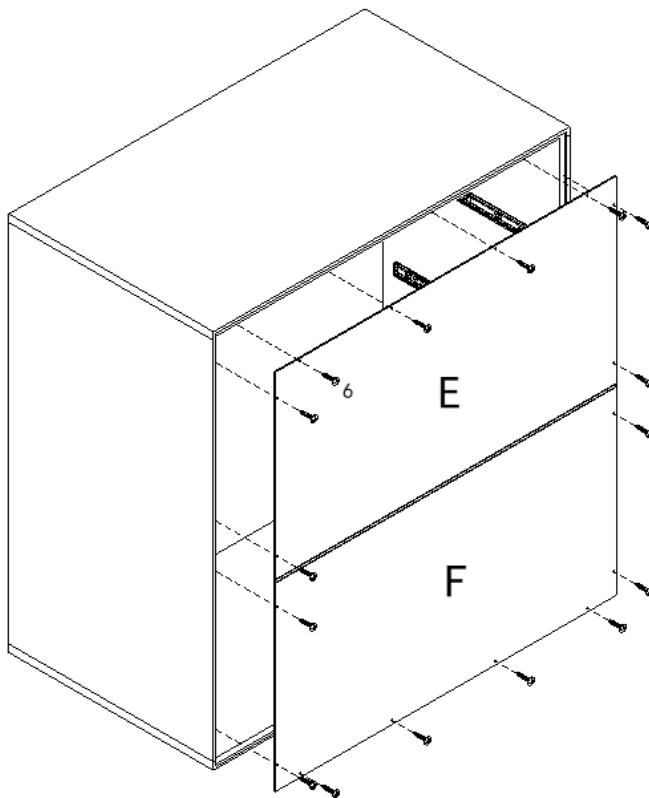


Assembly | Asambla | Assemblage

3

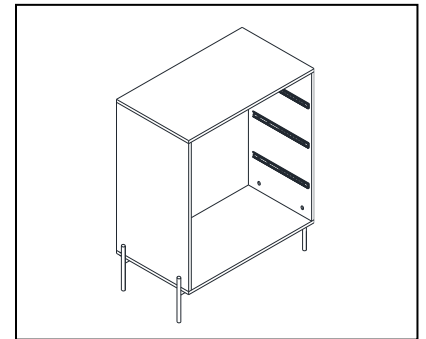
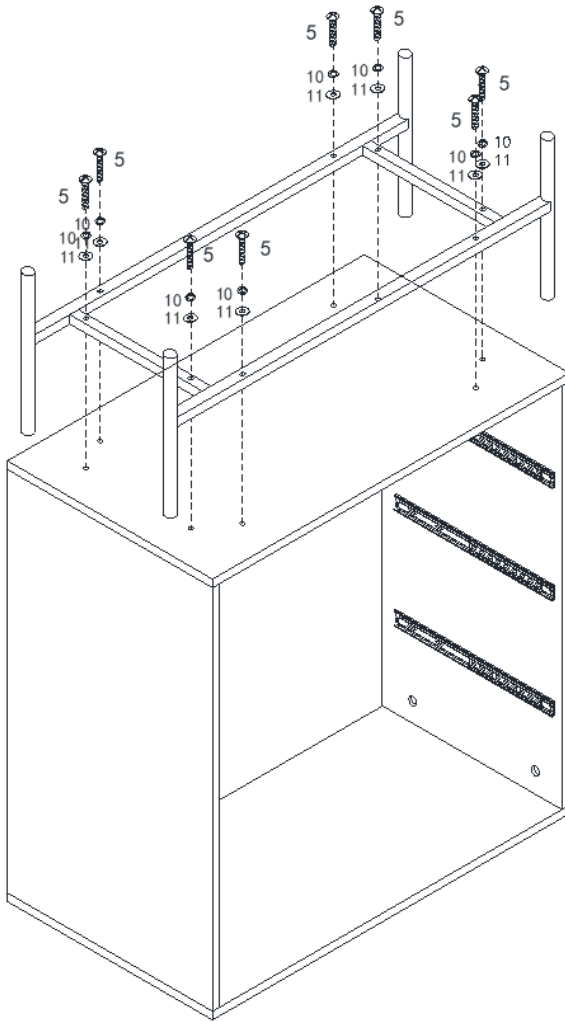


4

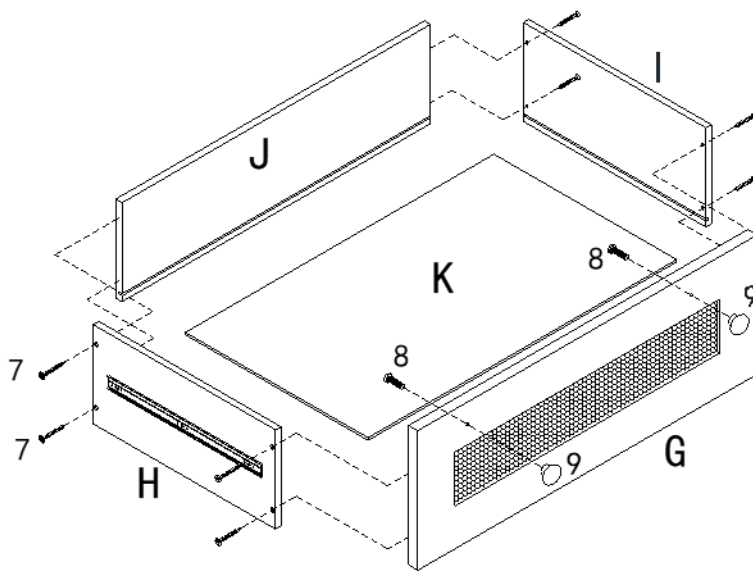


Assembly | Asambla | Assemblage

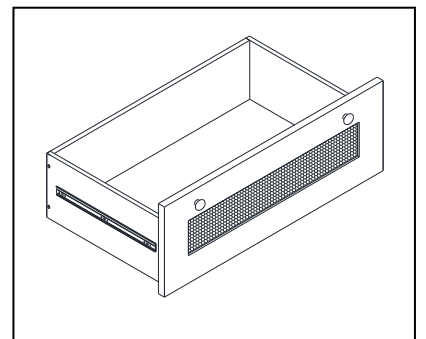
5



6

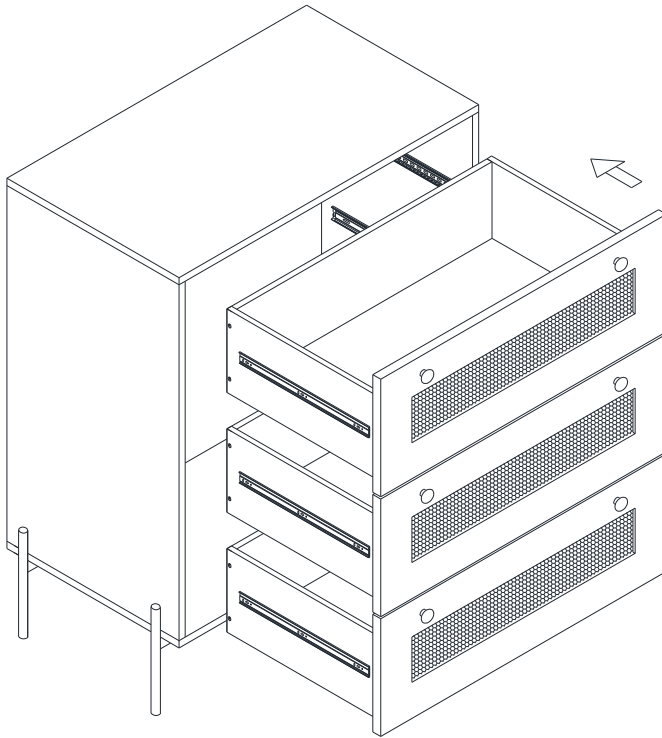


X3

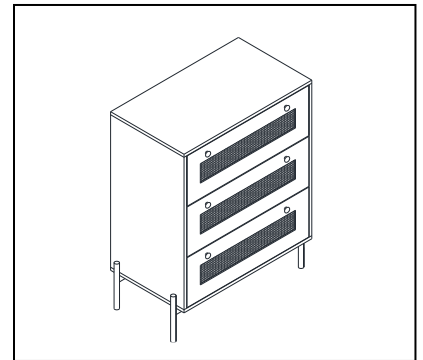
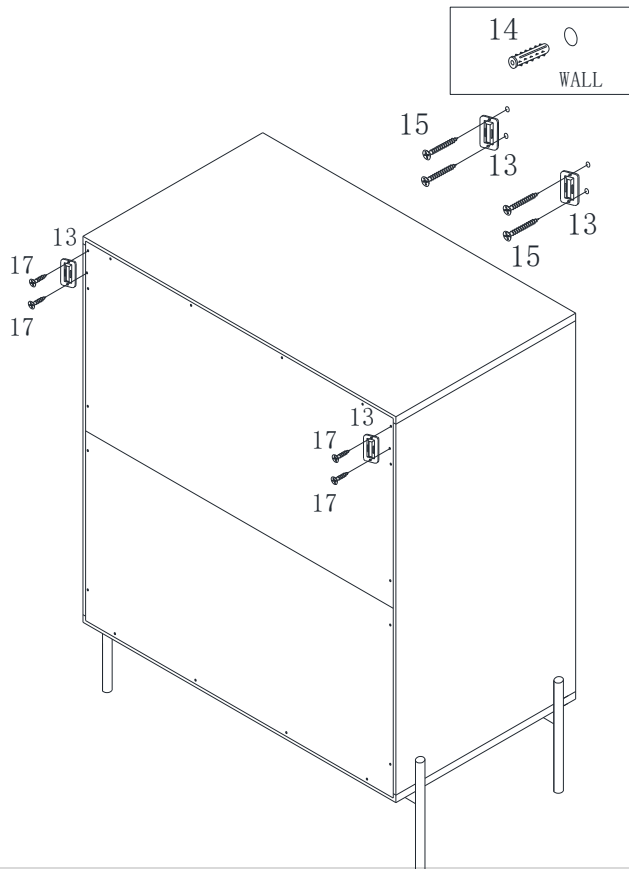


Assembly | Asambla | Assemblage

7



8



Assembly | Asambla | Assemblage

9

