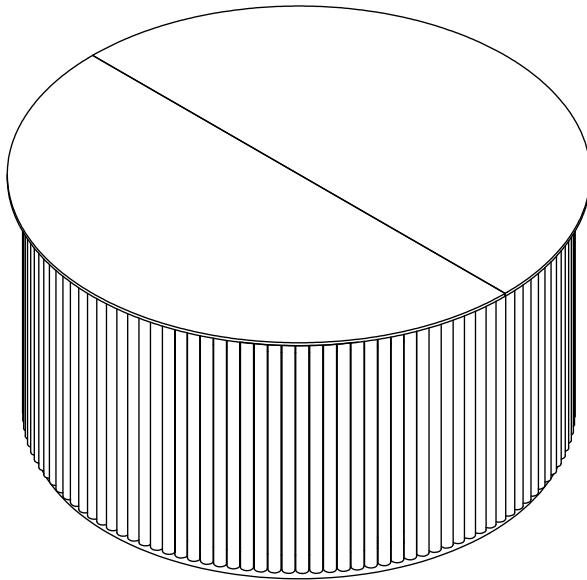


HULALA

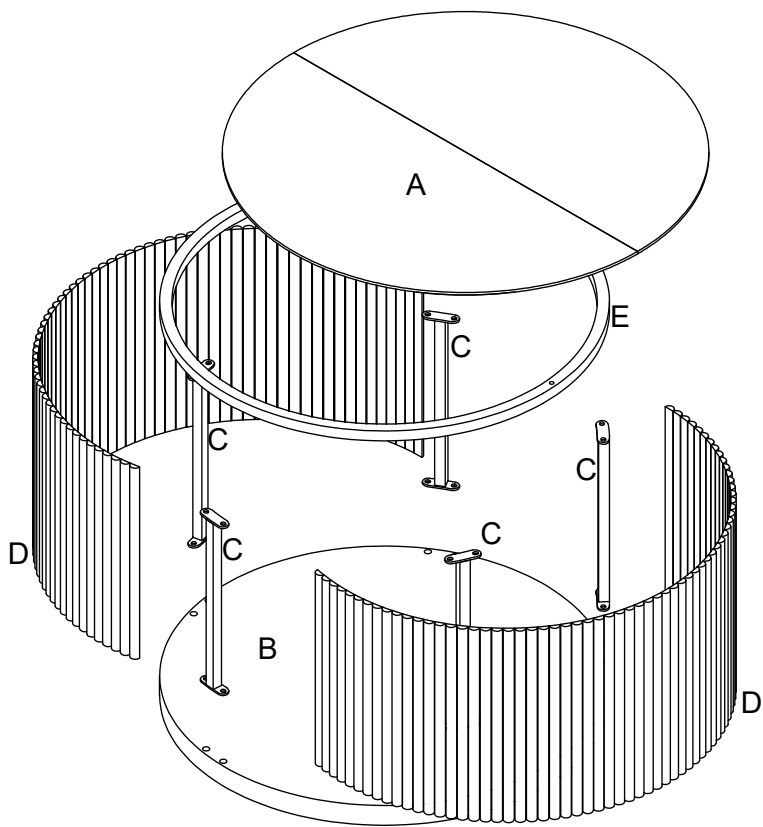
H O M E



ITEM NO.CTSD1204

NOTE:

This brochure contains IMPORTANT safty info. Please read and keep for future reference.



OVERVIEW

MAINTENANCE AND WARNING

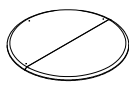
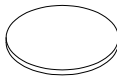

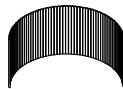

- Keep furniture away from heat sources.
- Do not clean furniture with harsh cleaner or polishes. Do not use detergents, Solvents, abrasives, spray packs or leather cleaner. Use non-color mild soap with warm water to clean spills (Mix 1:10 soap to water)
- Do not place furniture under direct sunlight, material will possibly fade over time.
- Do not use on site dry Cleaning machine. Children should not climb or jump on the furniture.
- Do not write on furniture that is not protected by a padded barrier .
- Not for commercial use, only for residential use.



Weight Limitation

100 LBS

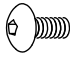
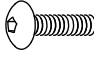
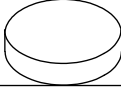




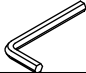

PARTS LIST 1

A 	B 	C 	D 
1 PC	1 PC	5 PCS	2 PCS
E 			
1 PC			

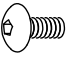
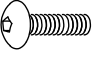

Persons Required For Assembly:



PARTS LIST 2

①	x20	②	x3	③	x6	④	x1	⑤	x2
									
M6*15mm		M6*30mm							
⑥	x2	⑦	x2	⑧	x1	⑨	x3		
									
		M6*12mm		M4					

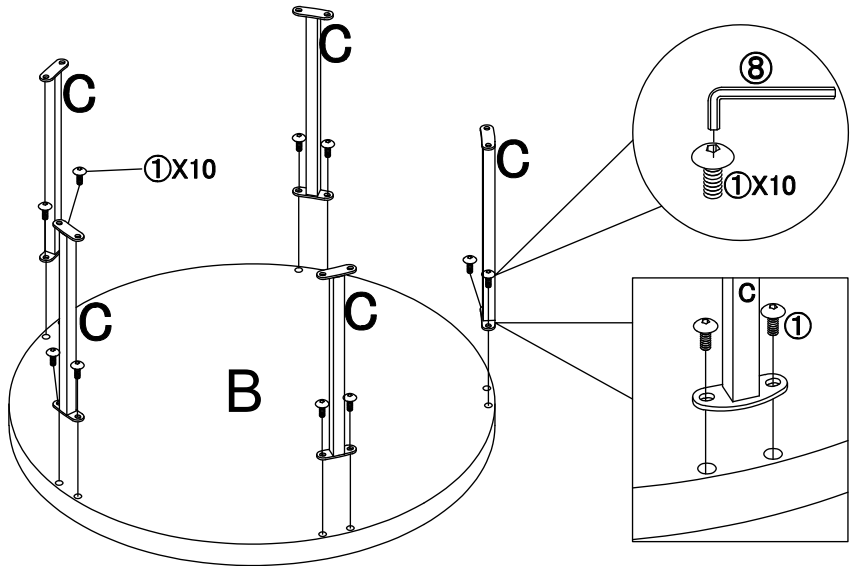
SPARE

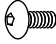

①	x2	②	x1	⑦	x1
					
M6*15mm		M6*30mm		M6*12mm	

Be sure to inspect all packing material carefully for small parts, that may have come loose inside the carton during shipment.

STEP 1

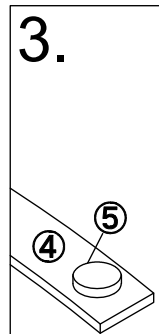
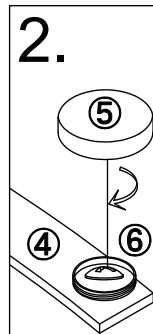
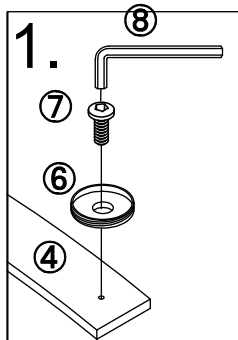
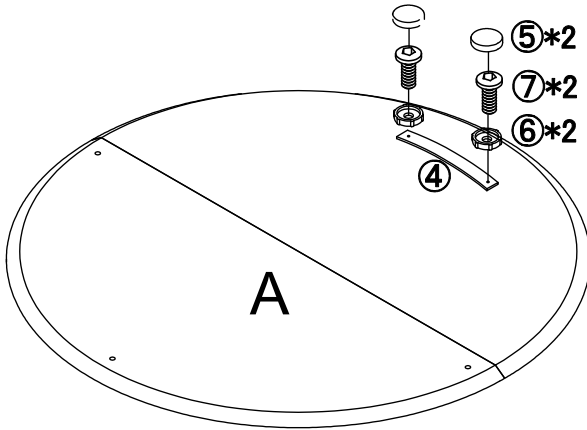
1. Place B on a smooth surface, use screw 1 and wrench 8 to install iron post C and fix it on base plate





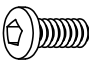


①	x10	⑧	x1
			
M6*15mm		M4	

STEP 2

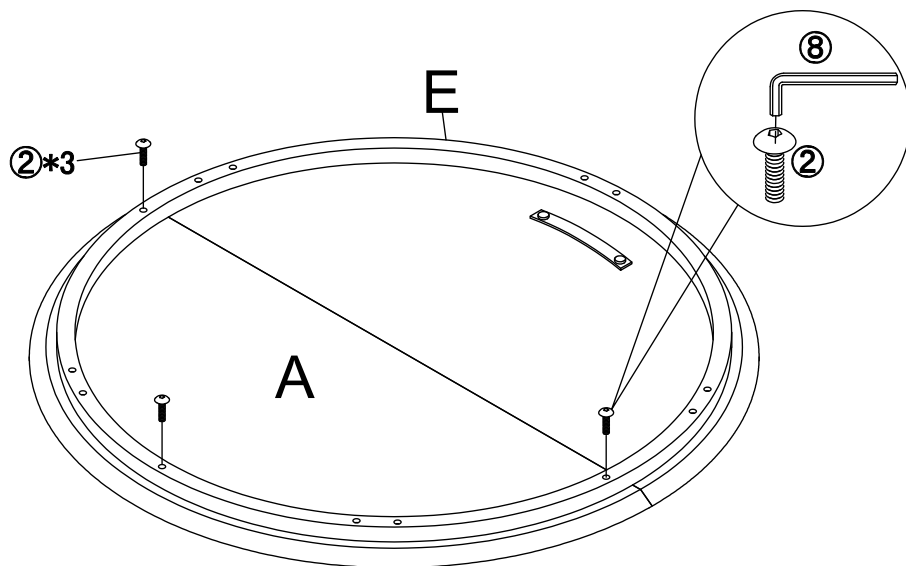
1. Take out the Panel A and place it on a flat surface, Lock the part 4 with The Panel A by using screw 7 , Washer Rings 6 and Wrench 8.
2. Attach part 5 above part 6.


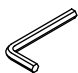


⑧	x1	④	x1	⑤	x2	⑥	x2	⑦	x2
									
M4								M6*12mm	

STEP 3

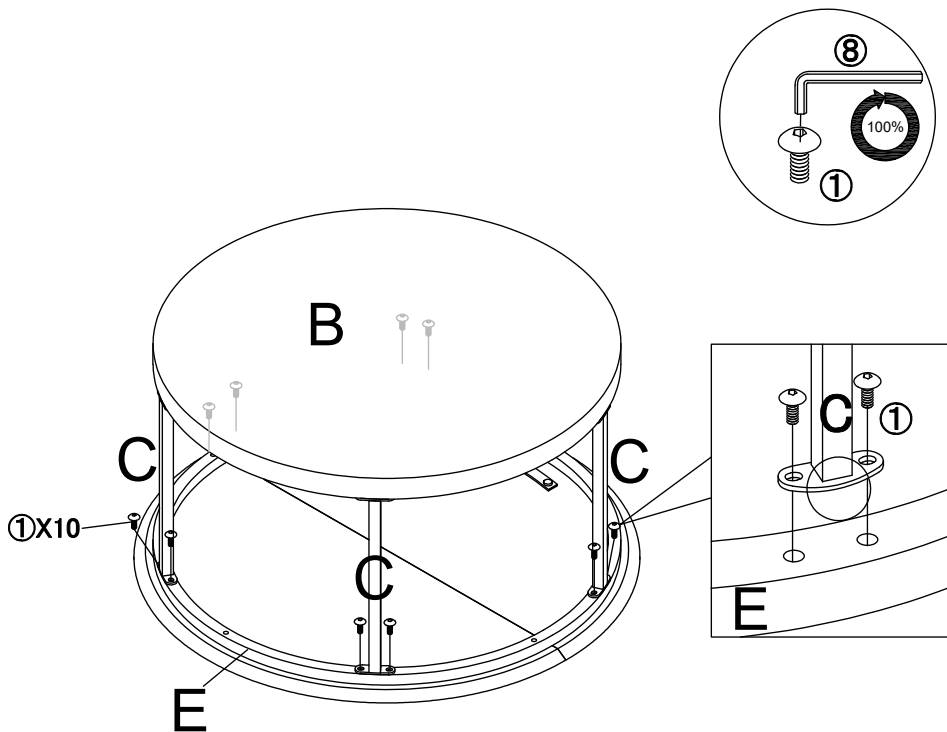
1. Place part E on plate A, attach iron member E to plate A with wrench 8 and screw 2

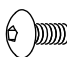
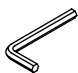


②	x3	⑧	x1
			
M6*30mm		M4	

STEP 4

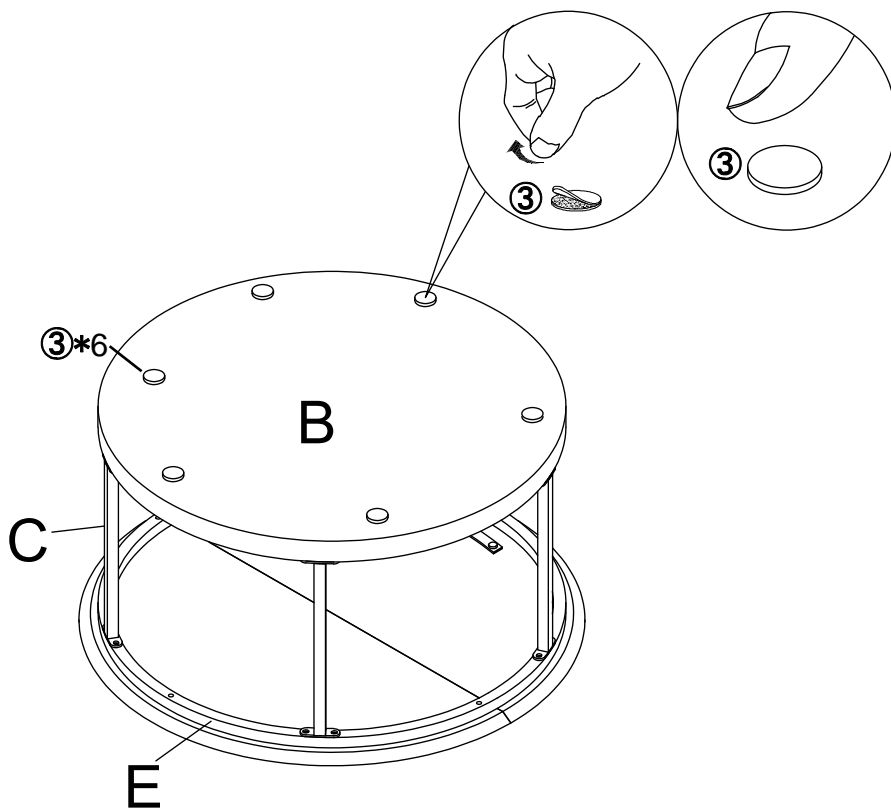
1.Lock the C on the E with wrench 8 and screw 1




①	x10	⑧	x1
			
M6*15mm		M4	

STEP 5

1. Paste the footpad 3 to the plate B

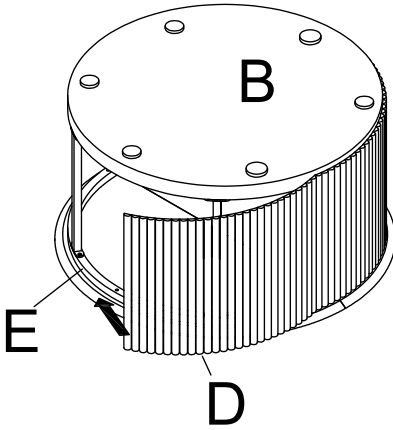


③	x6
	
Ø30	

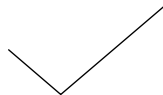
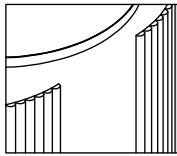
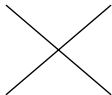
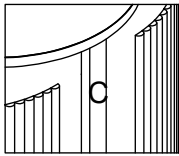
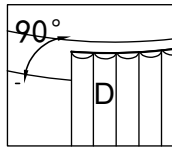
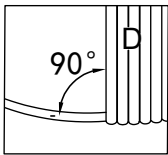
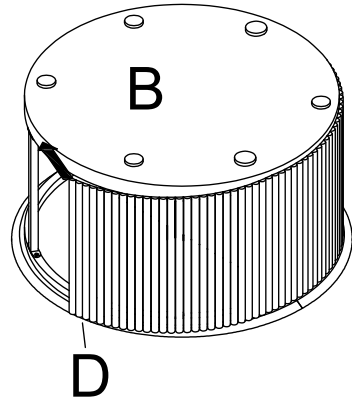
STEP 6

1. Connect part D to the corresponding position of part B and iron member E

1.

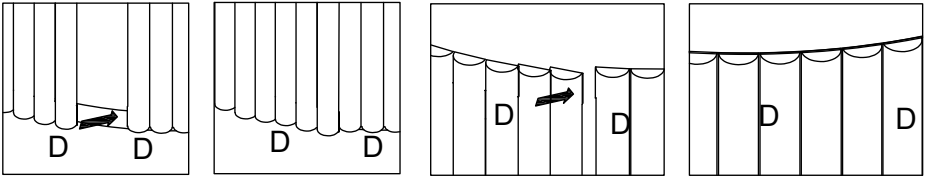


2.

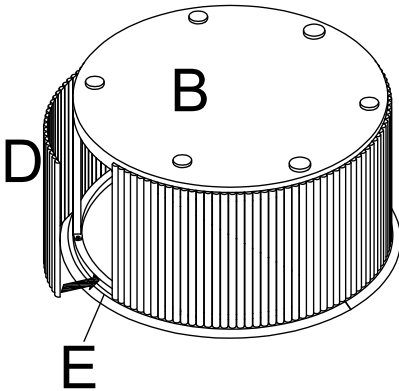


STEP 7

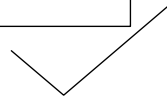
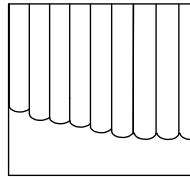
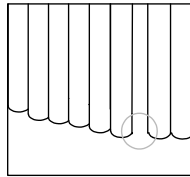
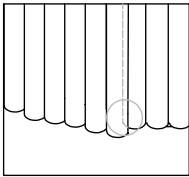
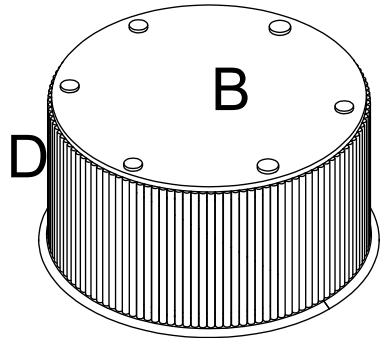
1. Connect part D to the corresponding position of part B and iron member E



1.

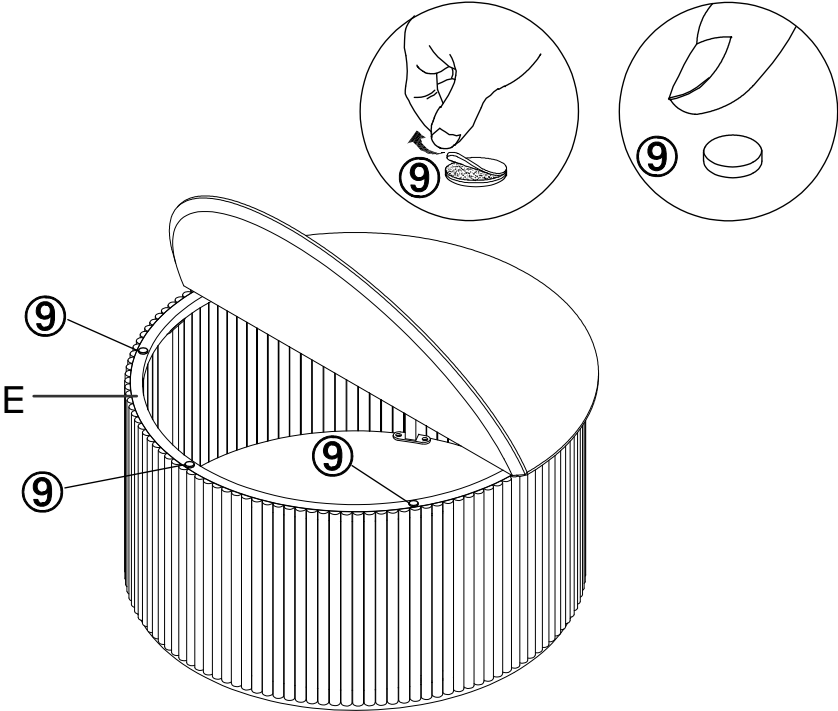


2.



STEP 8

1. Attach the silicone pad 9 to the iron member E



9	x3

WARRANTY

We strive to offer high-quality products, and we also try our best to satisfy each and every customer that orders from us with product or service as needed. We provide 30 days warranty starting from the time you receive the item. Each customer must provide a record of their order such as the order number, or item receipt for any items that are out of the warranty period you may also still receive replacement parts by purchasing them with our company if they are available.

Are you having difficulty
with assembly? Missing parts?
Please send email with your order No to
customerservice@hulalahome.com
For return, please check the return policy with
the retailer or market place you bought from.

Appreciate your purchasing from us.
Pop up your life by our furniture piece!