

Full Size Mattress Wood Slat Platform  
Bed Frame

Manual for

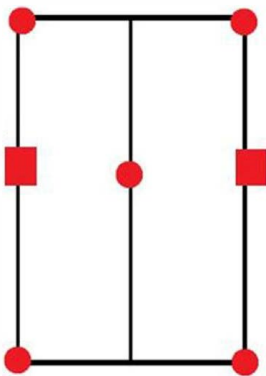
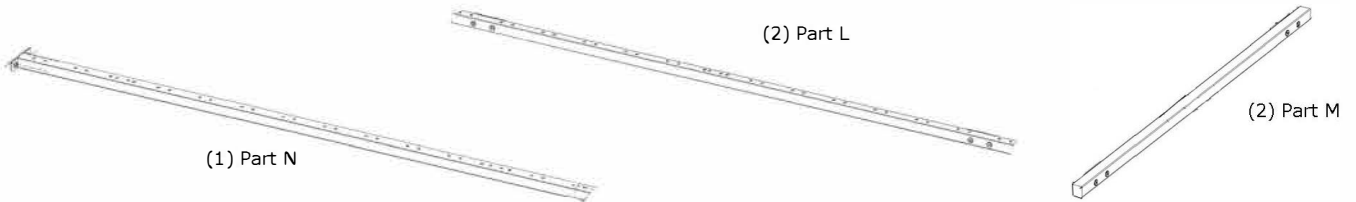


**WARNING**

Manufacturer and seller expressly disclaim any and all liability for personal injury, property damage or loss, whether direct, indirect, or incidental, resulting from the incorrect attachment, improper use, inadequate maintenance, or neglect of this product.

# Assembly Instructions

PART LIST		A	B	C	D	E	F	G	H	I	J	K
		screw	nut	screw	single plastic cap	L key	plastic corner	bracket	slat	wrench	T leg	double plastic cap
		M8X40	M8	M8X20	28 pcs	1 pc	4 pcs	4 pcs	28 pcs	1 pc	7 pcs	14 pcs

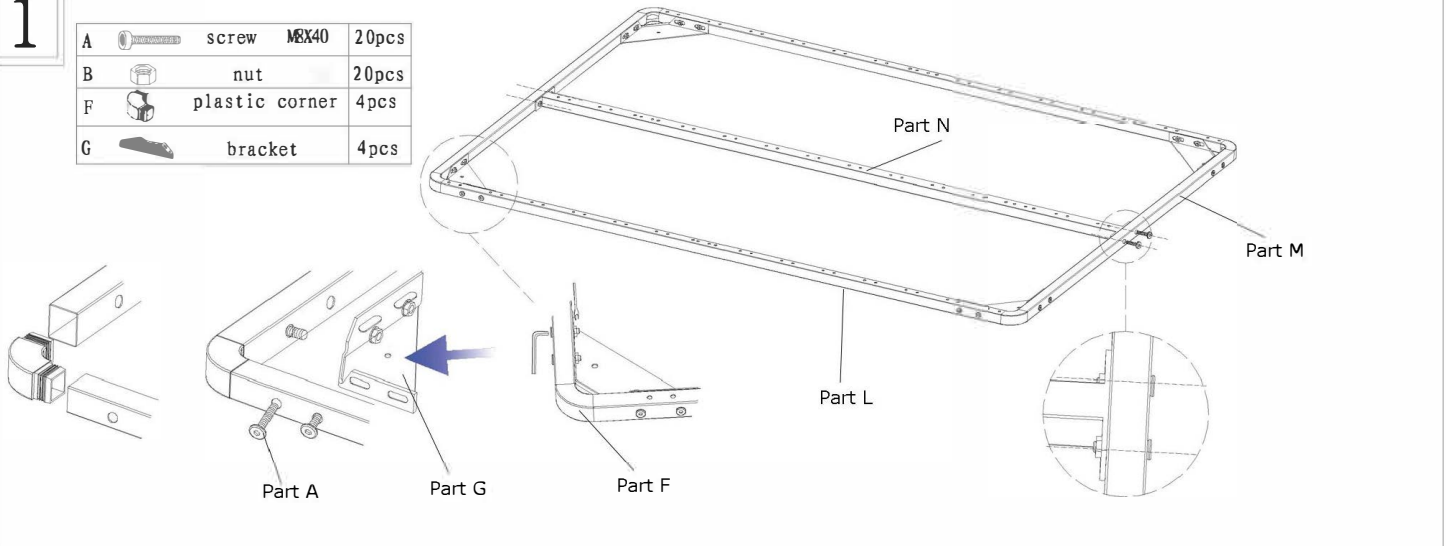


Please note that Part J has a total of (7) pieces, but (5) are circled and (2) are squared.

\*See diagram on left

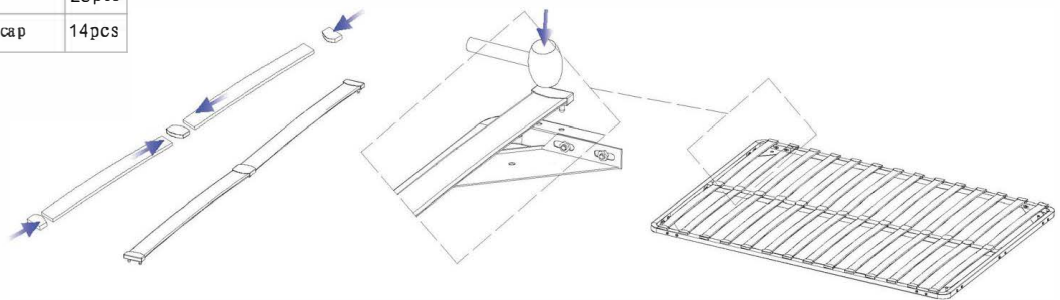
1

A		screw	M8X40	20 pcs
B		nut		20 pcs
F		plastic corner		4 pcs
G		bracket		4 pcs






2

D		single plastic cap		28 pcs
H				28 pcs
K		double plastic cap		14 pcs



3

A		screw	M8X40	4 pcs
C		screw	M8X40	4 pcs
J		T leg		6 pcs

