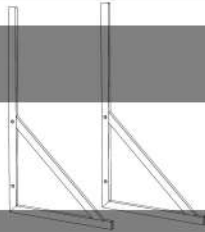


3-tier Washing Machine Rack Installation Manual

Connector *2



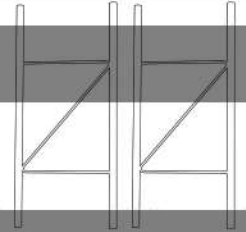
Triangular Frame *2



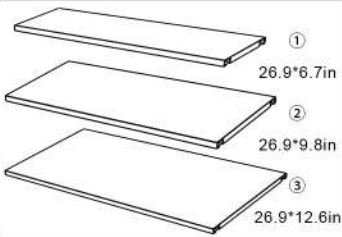
Straight Rod *2



Z-shape Frame *2



Metal Plate *3



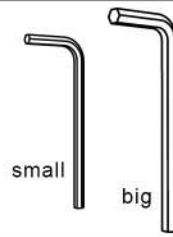
Adjustable Foot *4



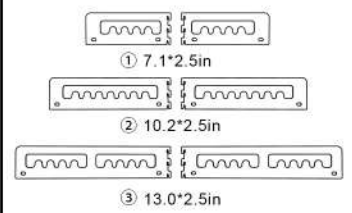
Short screws*20
Long screws*8



Screwdriver

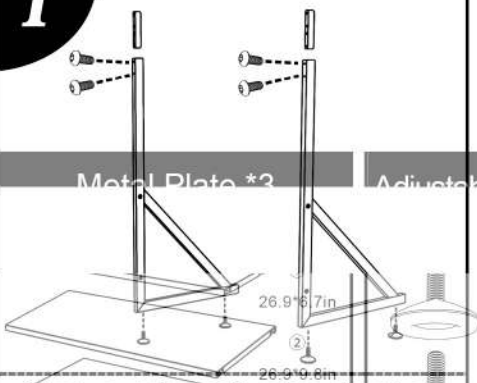


Small Frame *6



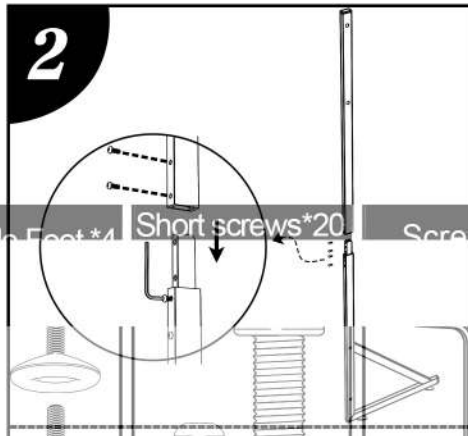
Installation Steps

1



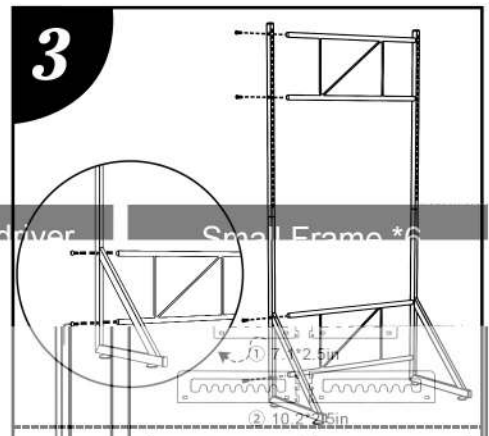
First, put the adjusting foot into the triangle frame, and then install the two connectors with short screws to the triangle frame

2



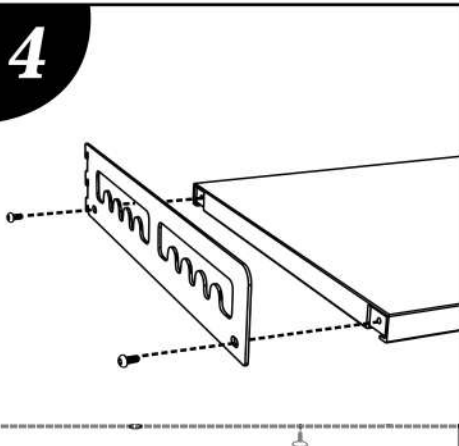
Fix the two straight rods and the connectors with short screws and tighten

3



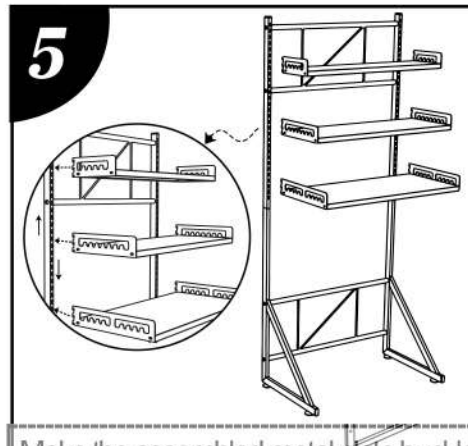
Fix the Z-shape frame to the triangle frame and straight rods with long screws

4



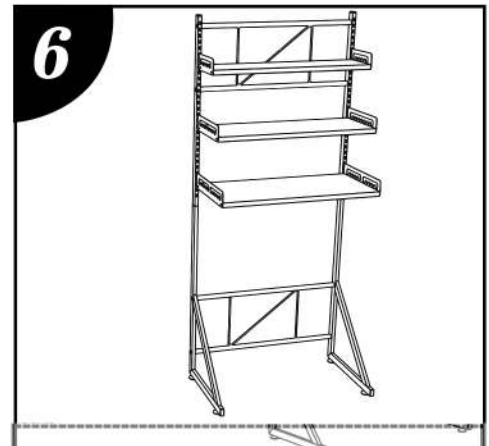
First, put the adjusting foot to the metal plate, and then install the metal plate to the frame

5



Make the assembled metal plate buckle to the frame, the installation is complete (All metal plates can be adjusted according to the position of the slot holes)

6



The 3-tier washing machine rack is shown in the picture above