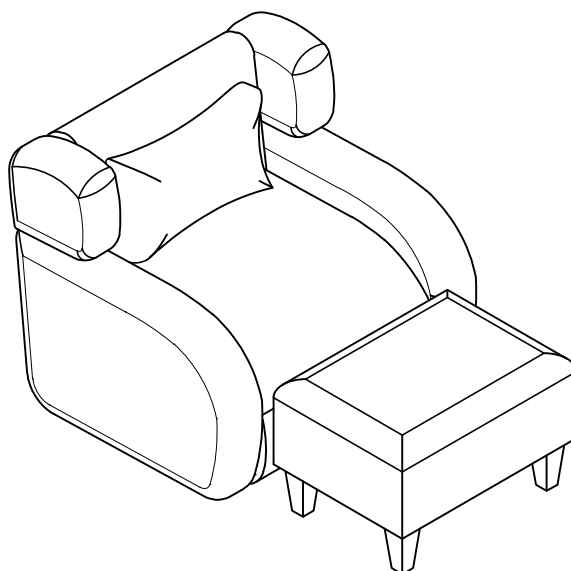
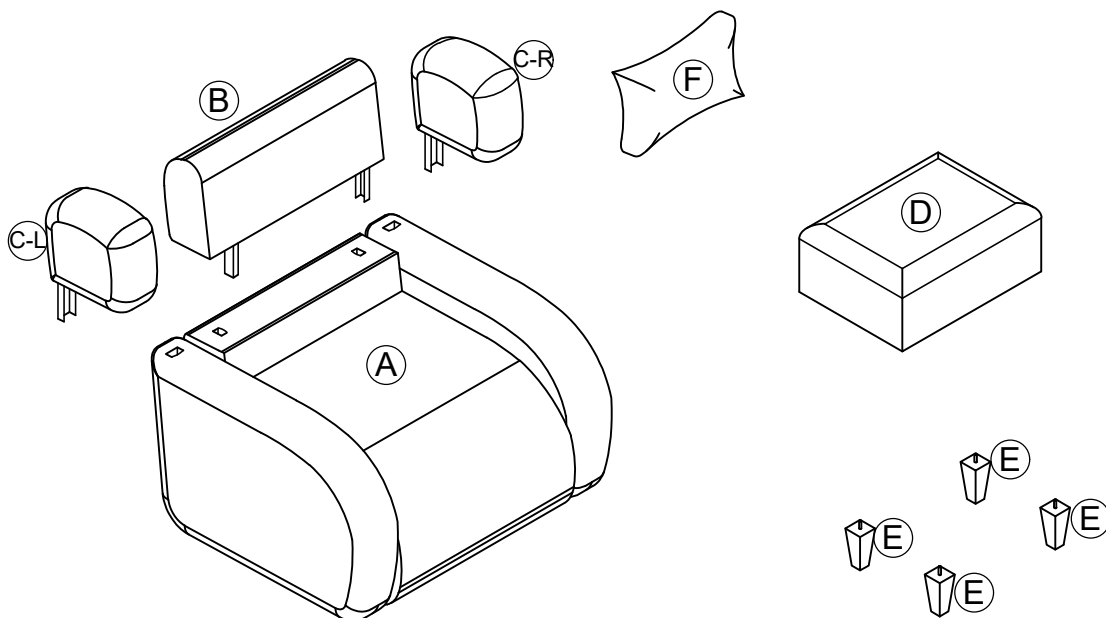


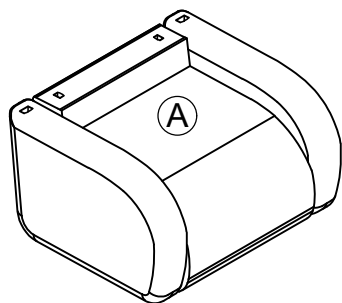
ASSEMBLY UNTRUCTION



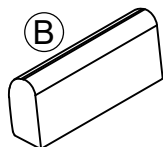
PARTS



PARTS LIST



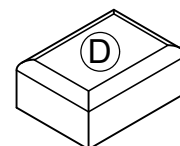
Chair x 1



Backrest x 1



Arm x 2



Ottoman x 1



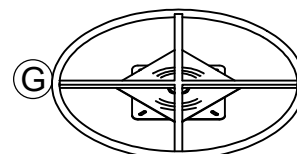
Ottoman Leg x 4



Pillow x 1



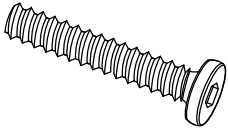
Plastic washer x 4



Swivel x 1

HARDWARE LIST

① x 4



Bolt Ø1/4" x 38mm

② x 4



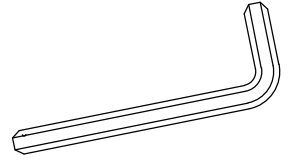
Spring washer Ø1/4"

③ x 4



Flat washer Ø1/4"

④ x 1

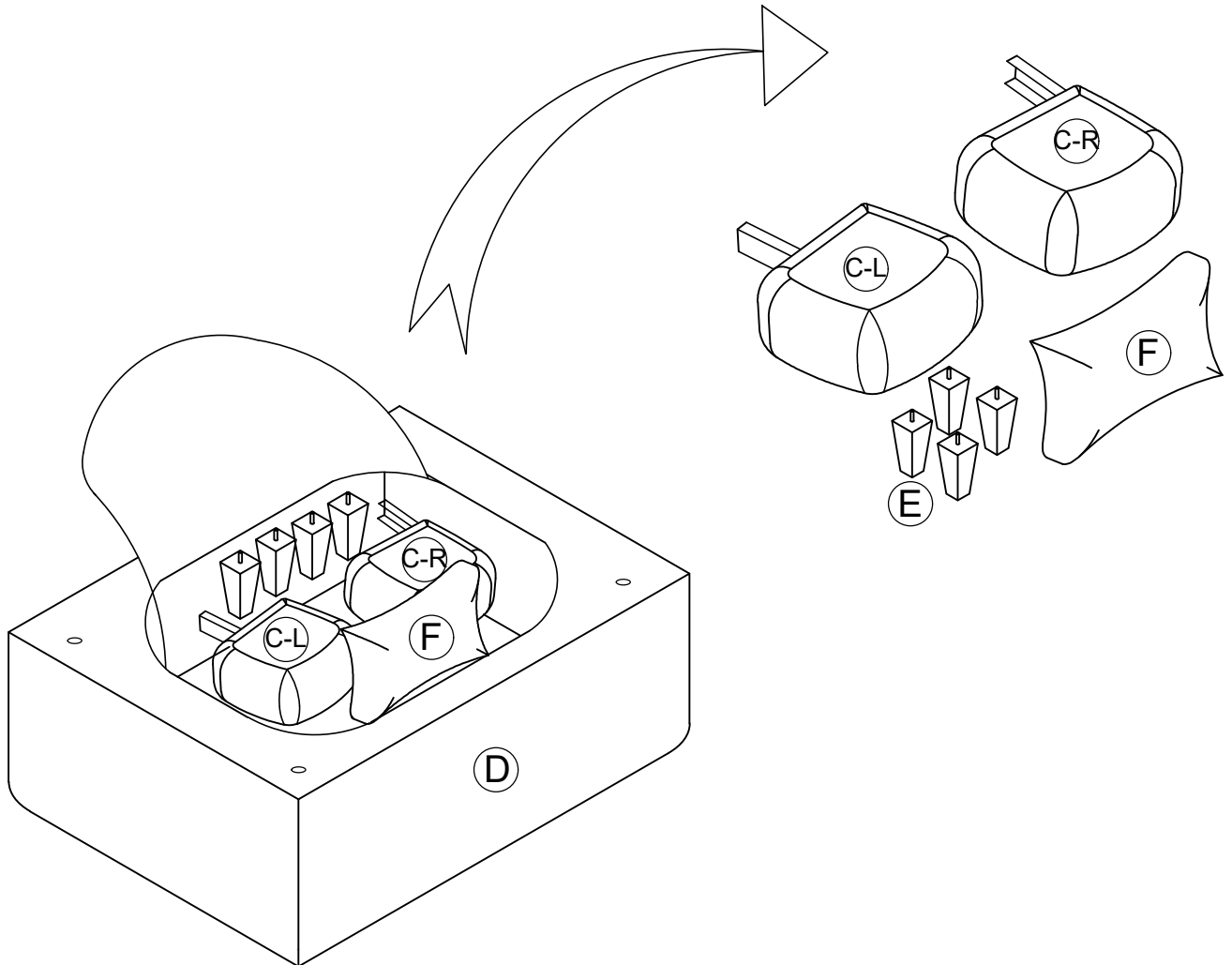


Allenkey

STEP 1:

Place all part on a clean, smooth face.

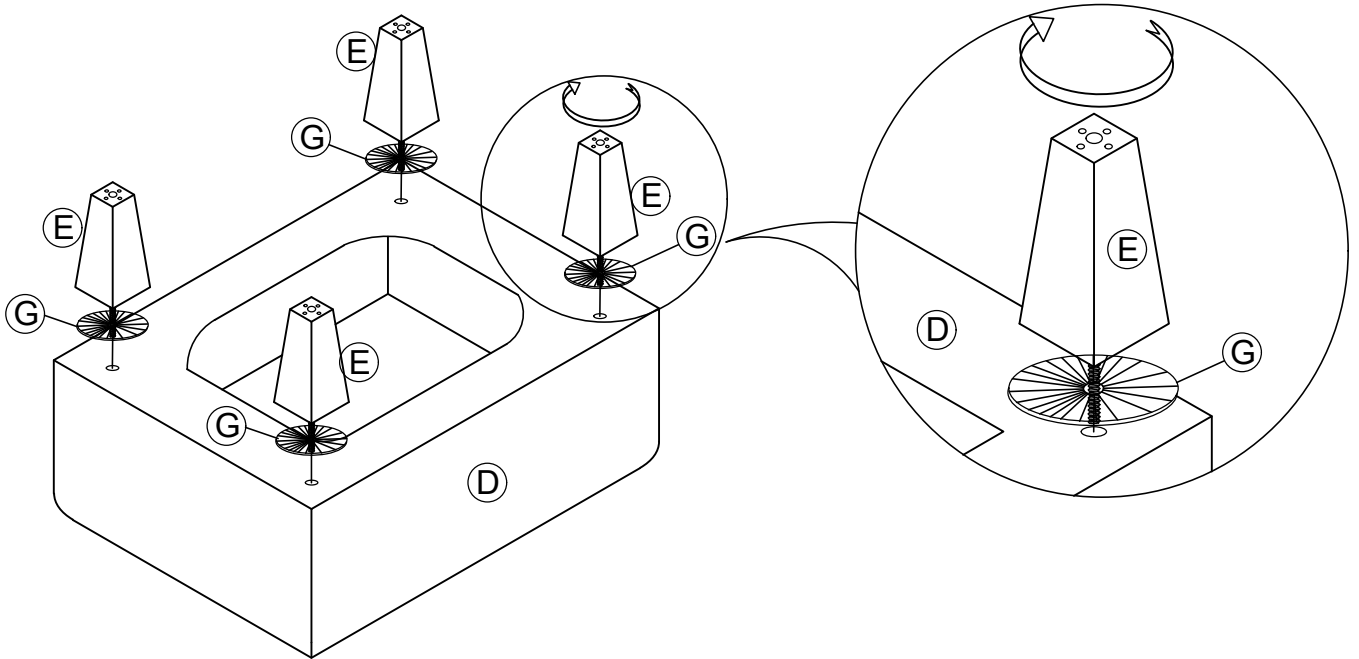
Take out the Arm C-L&C-R and pillow F, Leg E from under the ottoman.



STEP 2:

Place all part on a clean, smooth face.

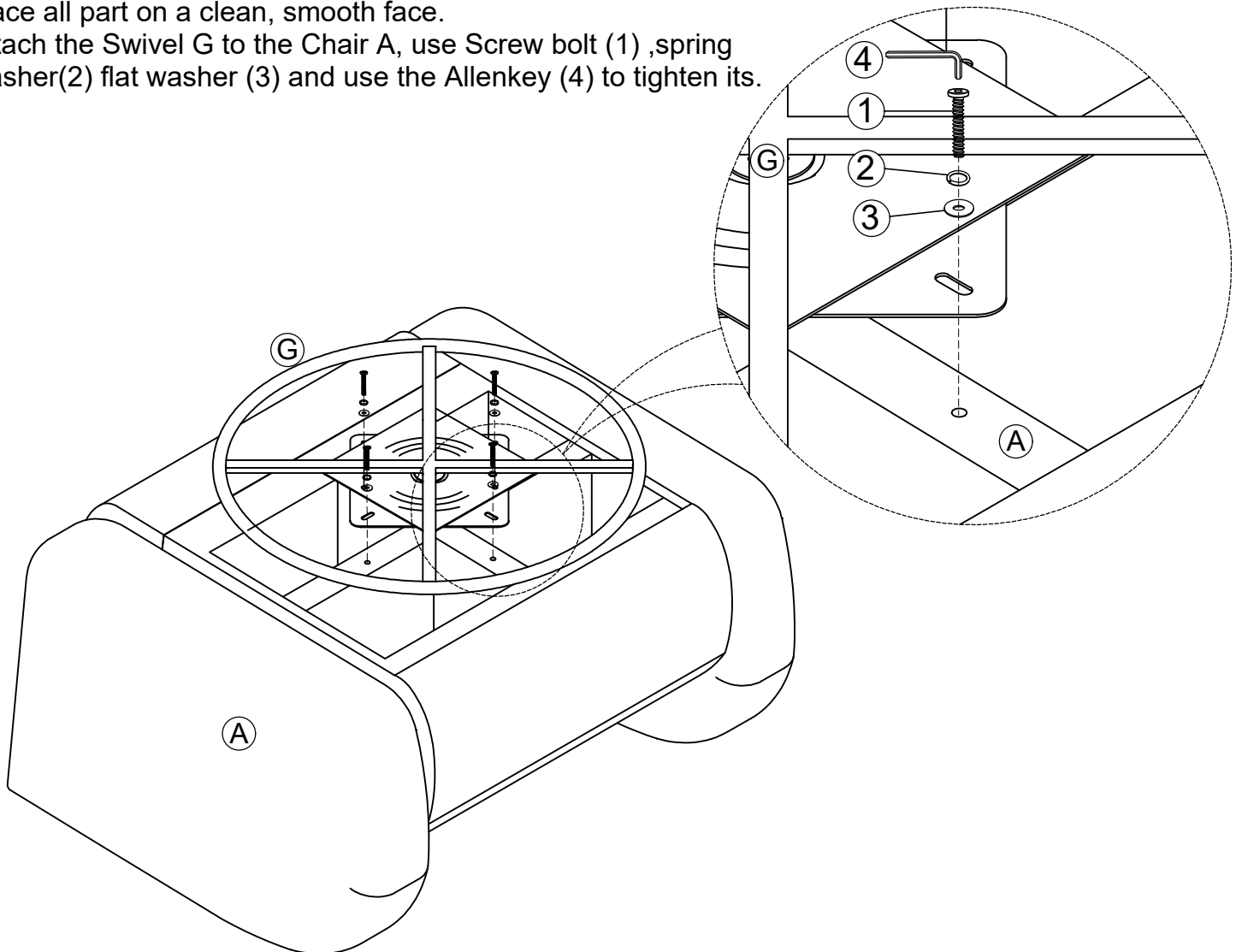
Attach Ottoman Leg E and plastic washer G to Ottoman D.



STEP 3:

Place all part on a clean, smooth face.

Attach the Swivel G to the Chair A, use Screw bolt (1), spring washer(2) flat washer (3) and use the Allenkey (4) to tighten its.



STEP 4:

Attach the backrest B, and Arm C-L&C-R to the chair A.

