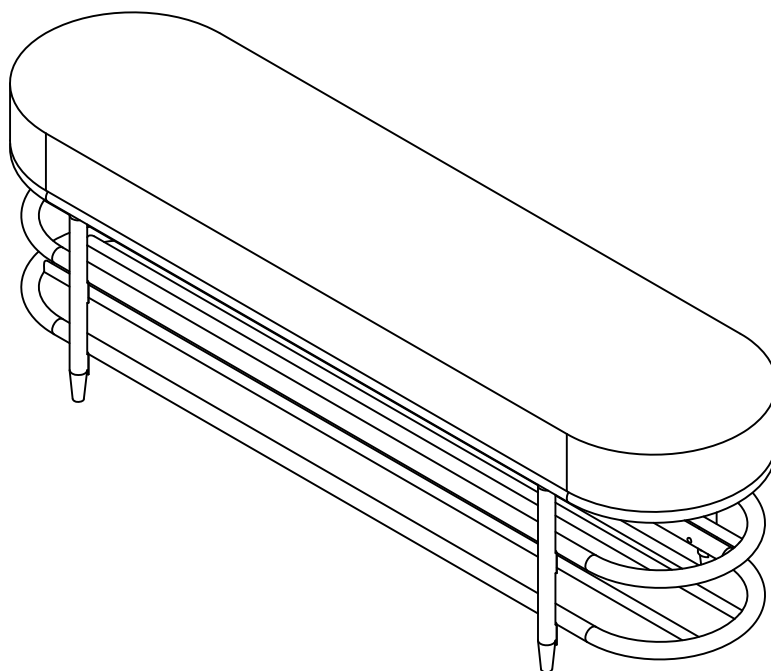
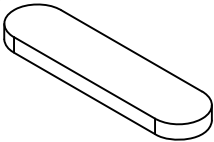
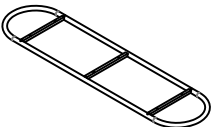
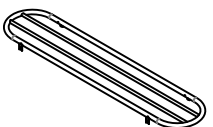





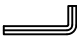
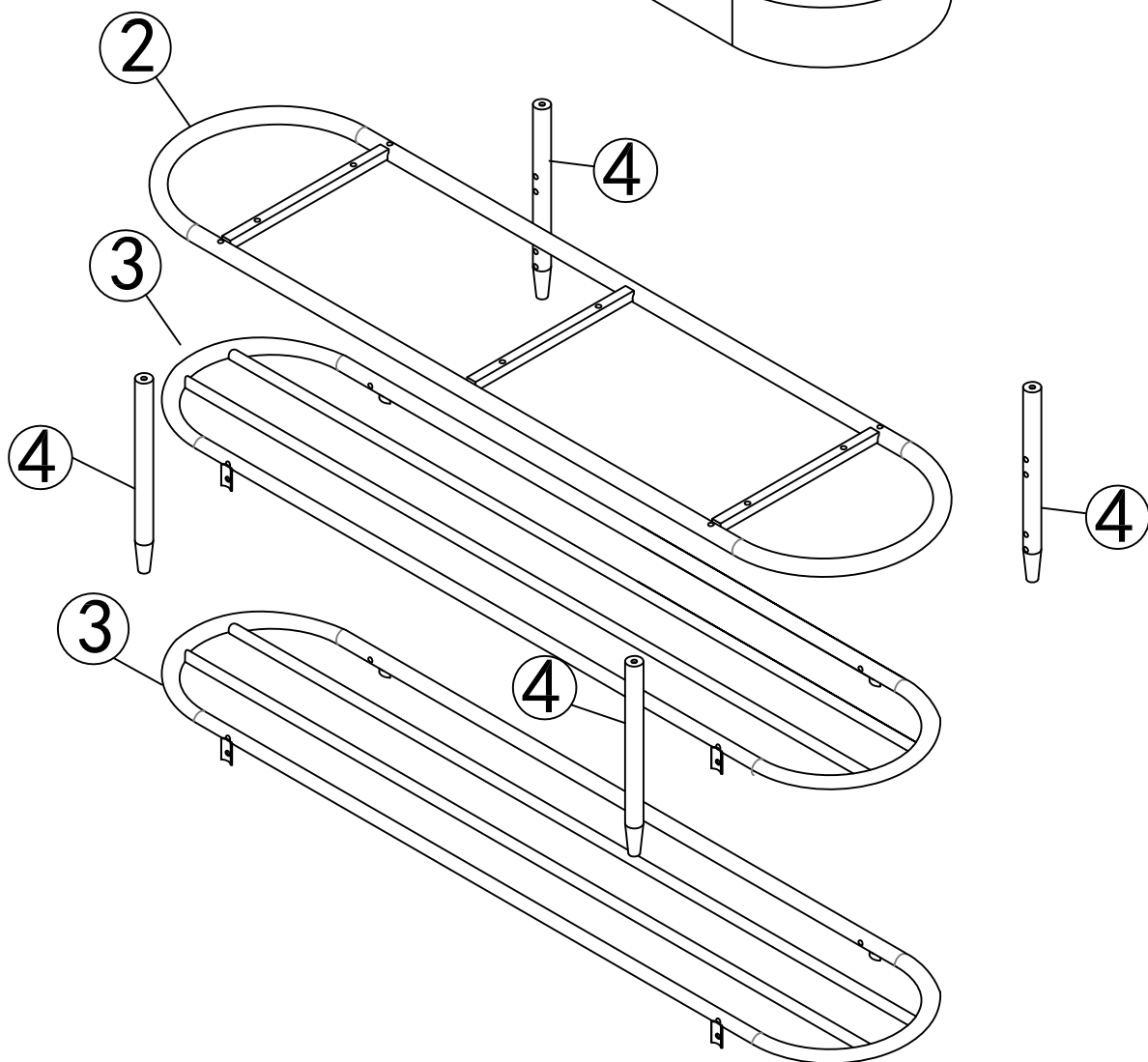
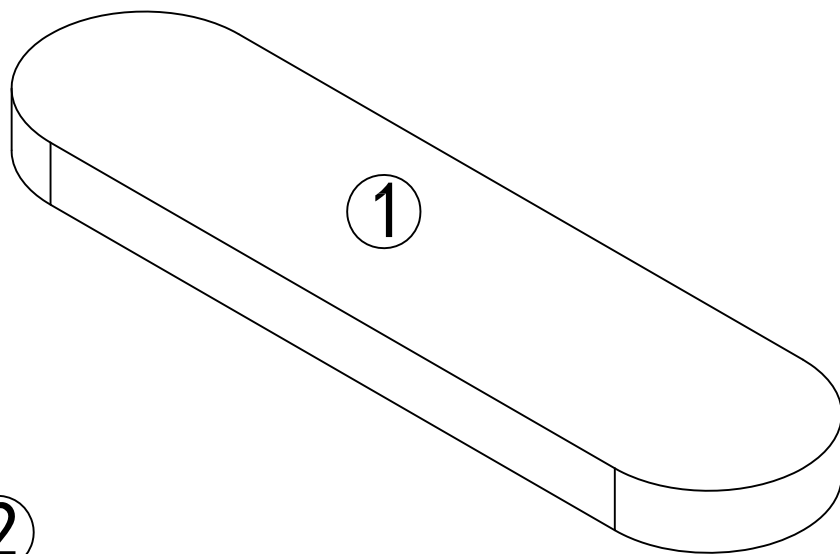


# ASSEMBLY INSTRUCTION

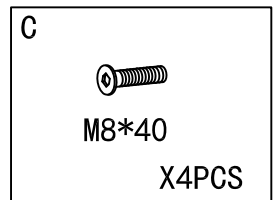
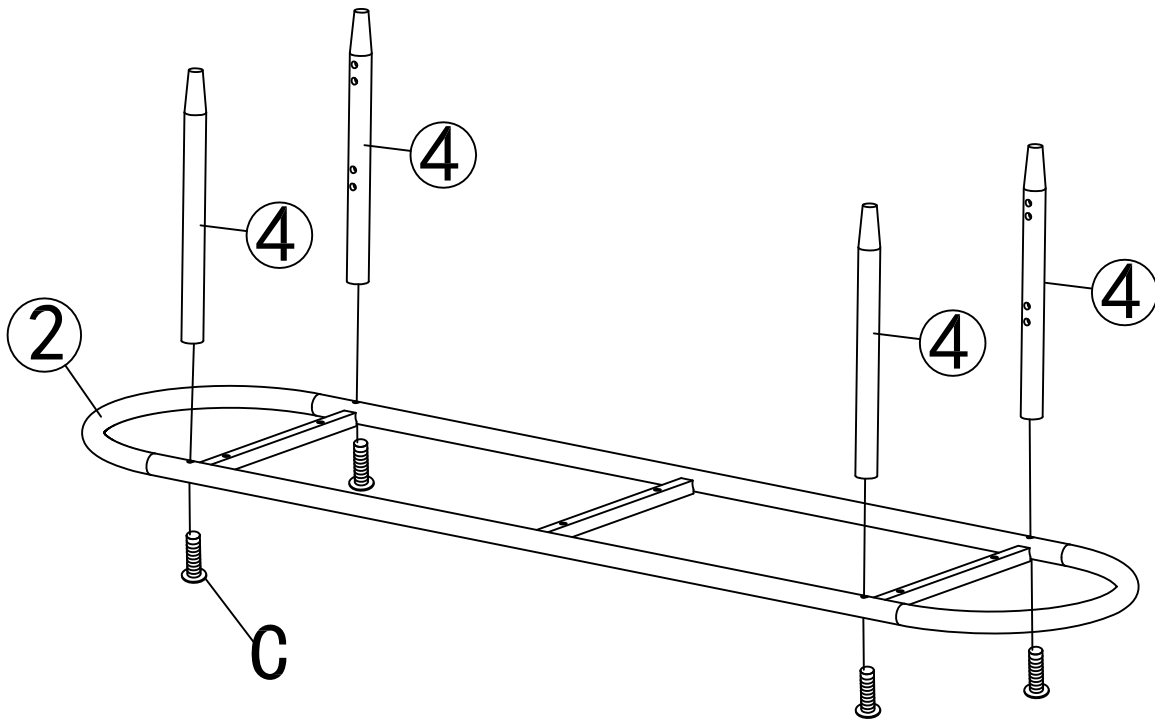
## SHOE BENCH — BH0003



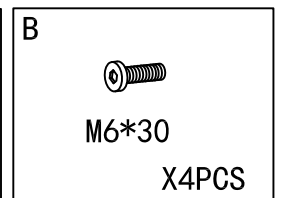
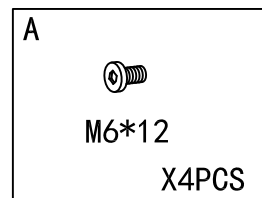
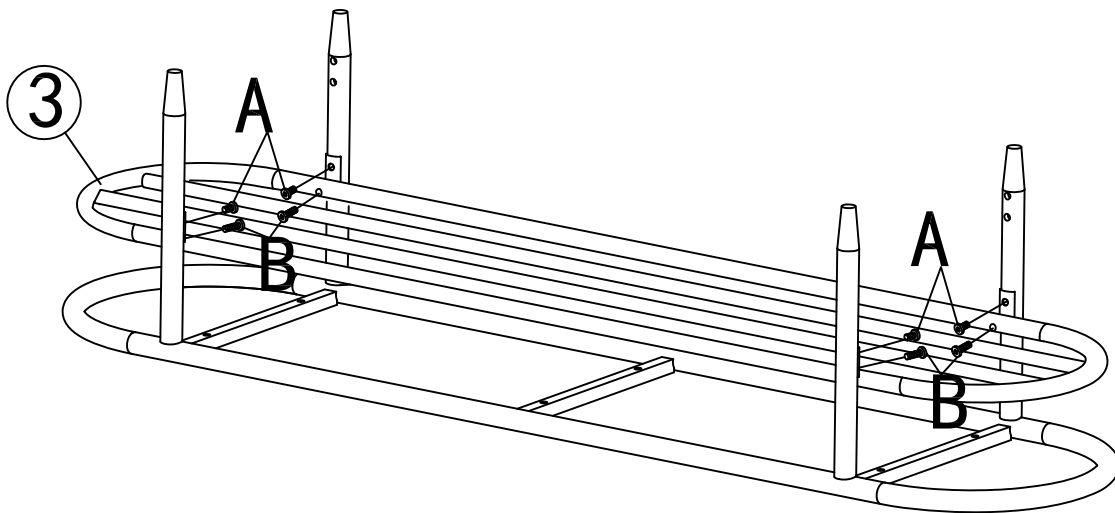
<p>①</p>  <p>X1PC</p>	<p>②</p>  <p>X1PC</p>	<p>③</p>  <p>X2PCS</p>	<p>④</p>  <p>X4PCS</p>	<p>A</p>  <p>M6X12 X8PCS</p>
<p>B</p>  <p>M6*30 X8PCS</p>	<p>C</p>  <p>M8*40 X4PCS</p>	<p>D</p>  <p>M6*35 X6PCS</p>	<p>E</p>  <p>X1PC</p>	



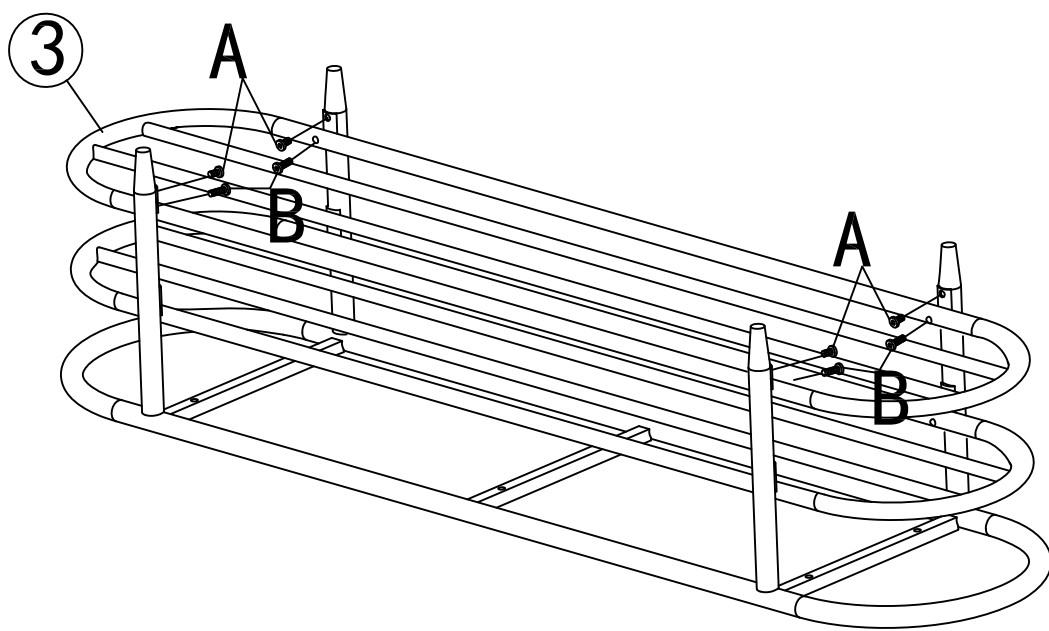
# STEP1 :




# STEP2 :



# STEP3:




A



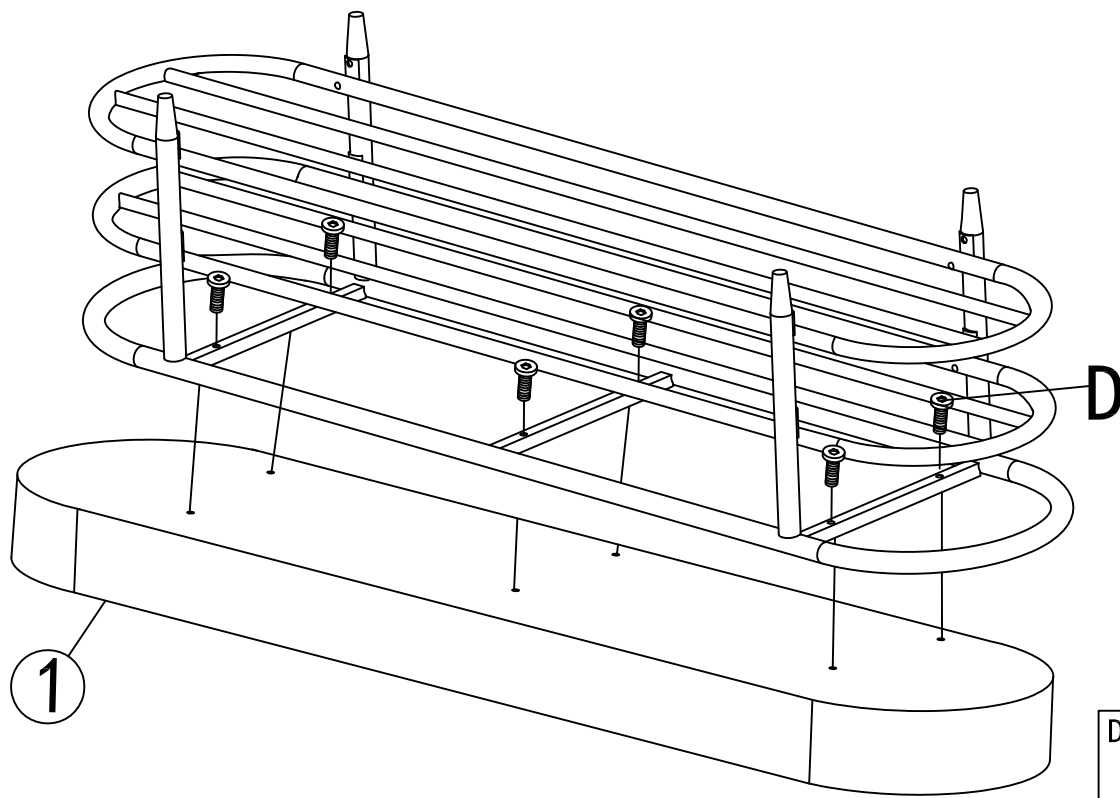
M6\*12  
X4PCS

B




M6\*30  
X4PCS

# STEP4:



D



M6\*35  
X6PCS