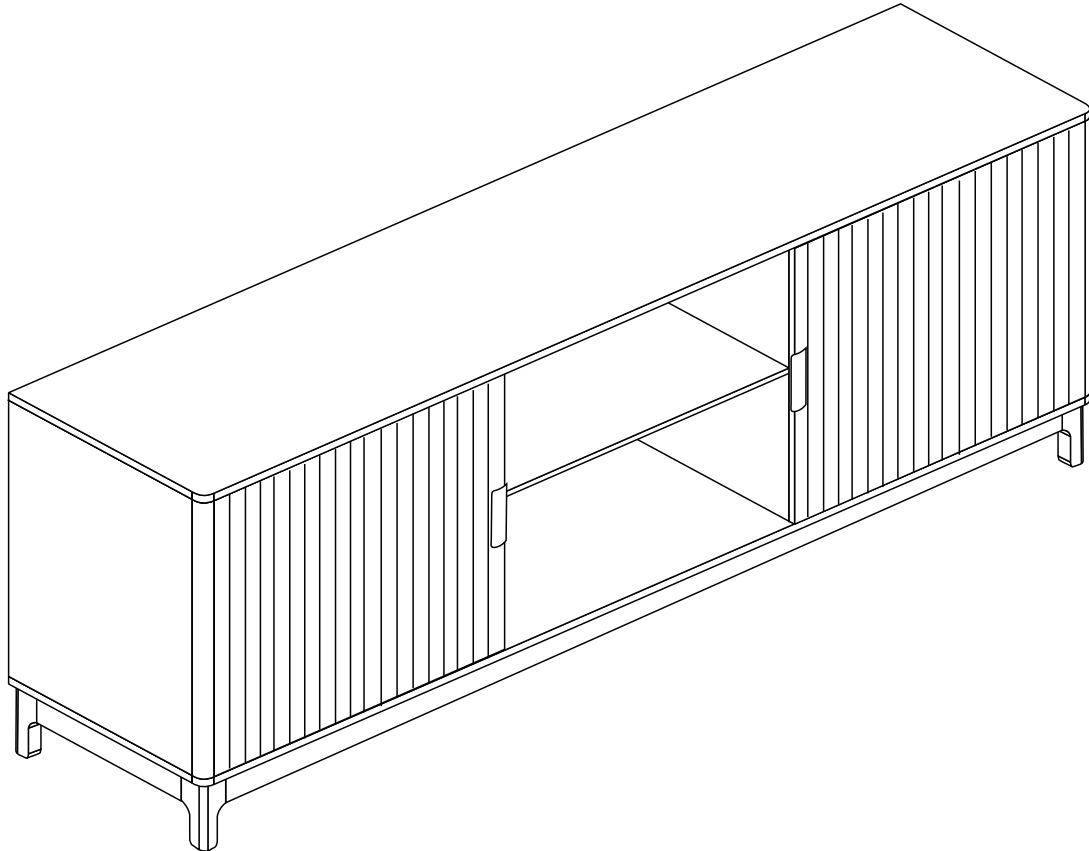

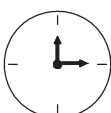
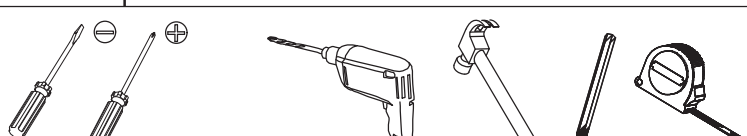


User Manual



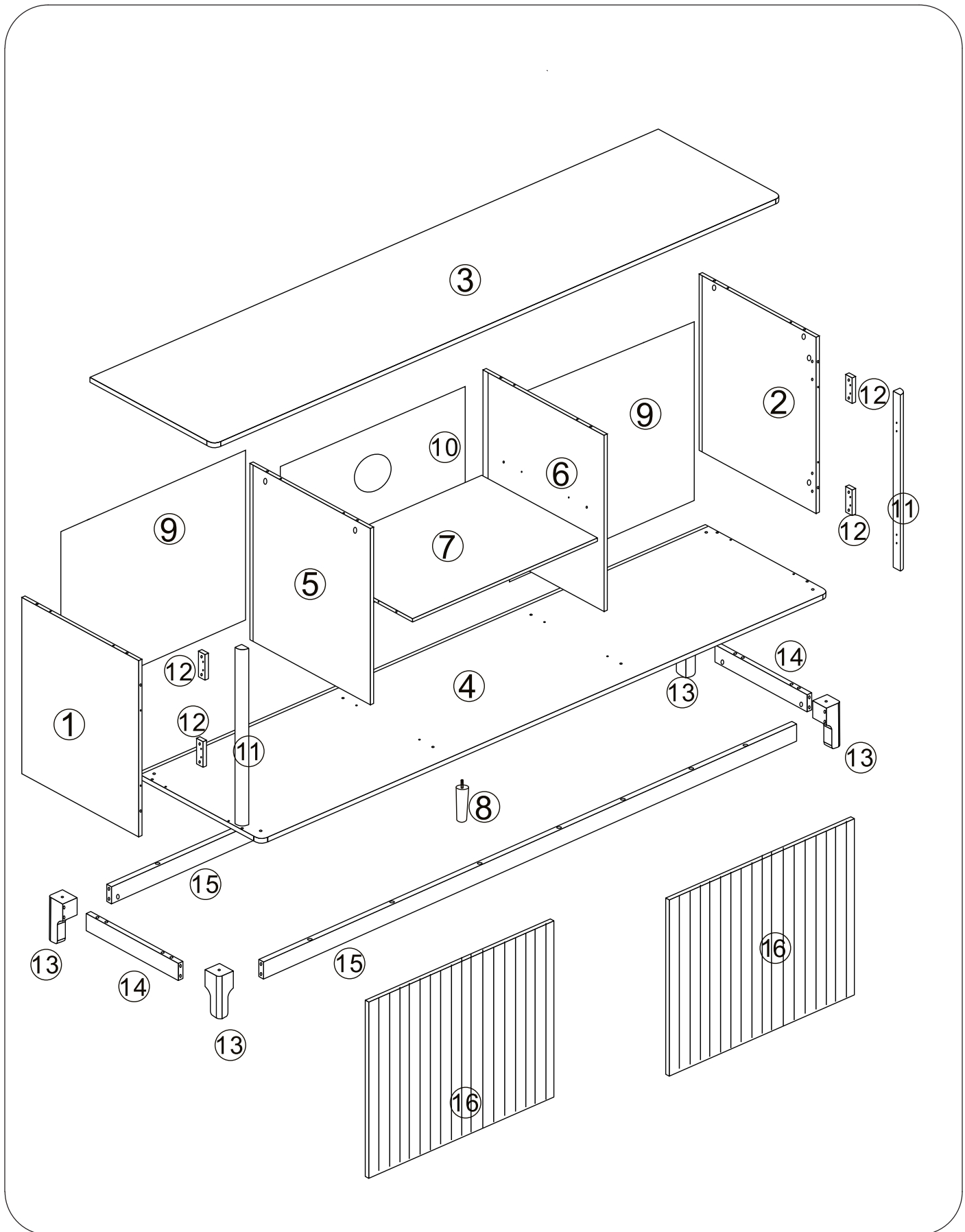
It is recommended to use the text guidance in combination with the assembly video and then start assembling.
If you cannot find the video guidance,

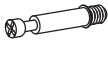




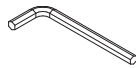


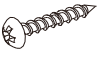
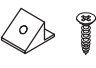


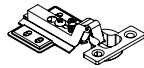

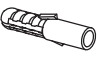

please contact customer service
Tel: +1 7402568754
E-mail: service_april@163.com

 2PERS	 60 MIN	<p>Tool Required Not Provided</p> 
--	---	--

Assembling Instruction

All accessories and installation tools are included

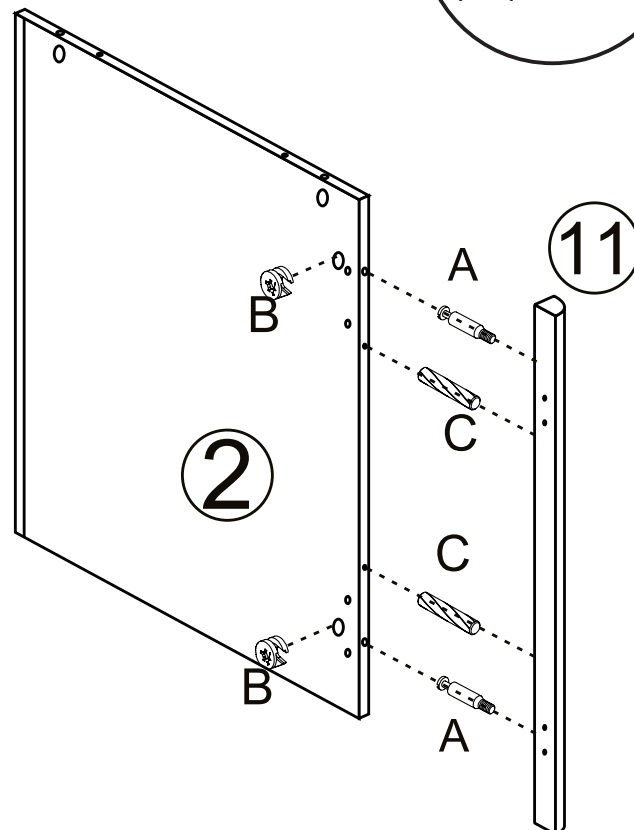
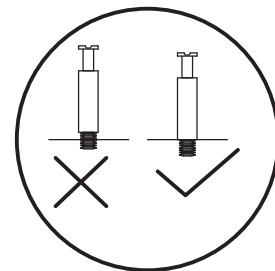
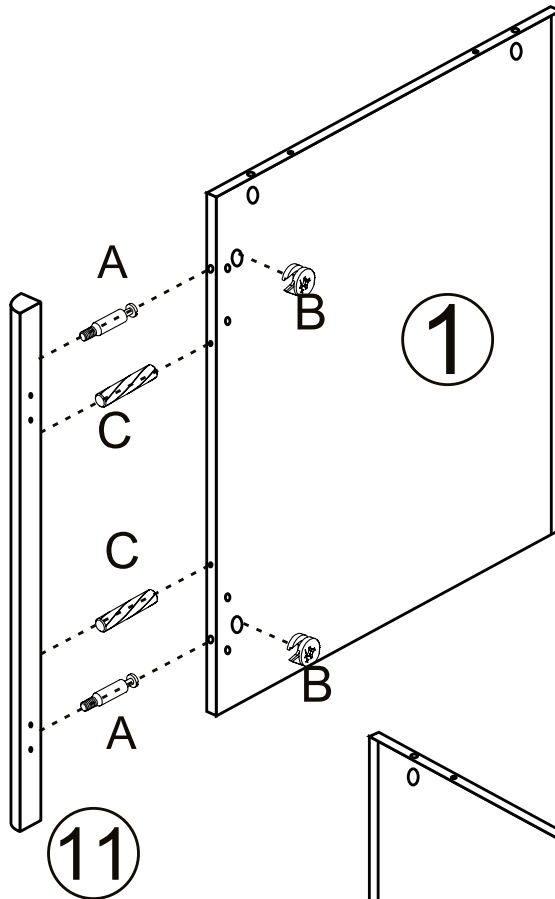
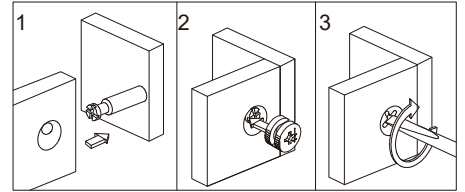





A	x24(+2)	B	x24(+2)	C	x42(+2)	D	x12	E	x4	F	x1
											
Ø6x35mm		Ø15x10mm		Ø6x30mm		Ø4x50mm		Ø7x40mm			
G	x24	H	x2	I	x8	J	x12	K	x10	L	x8
											
Ø4x14mm		Ø3x12mm		Ø4x35mm		Ø3x16mm		Ø4x40mm			
M	x4	N	x2	O	x2	P	x1				
											

Please check your package.

Feel free to contact us if parts are missing or damaged: service_April@163.com

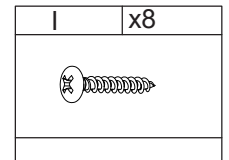
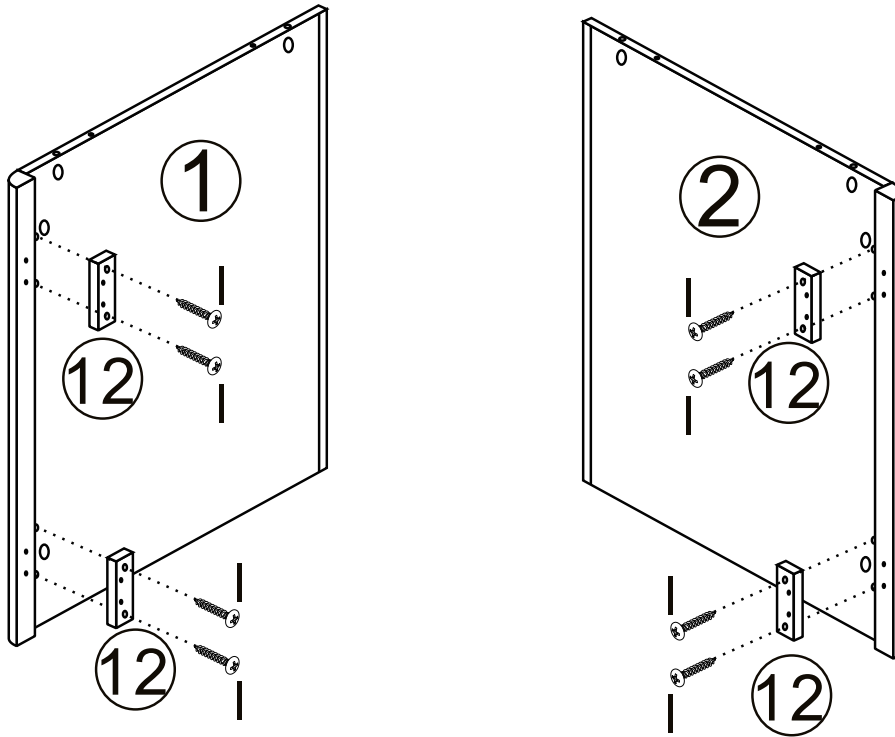
Our staff will solve the problem for you at the first time.^^



A	x4
	
B	x4
	
C	x4
	

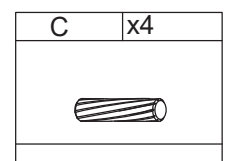
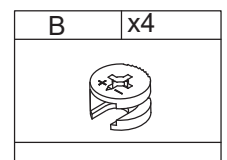
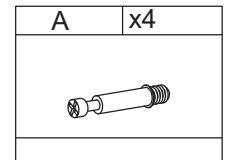
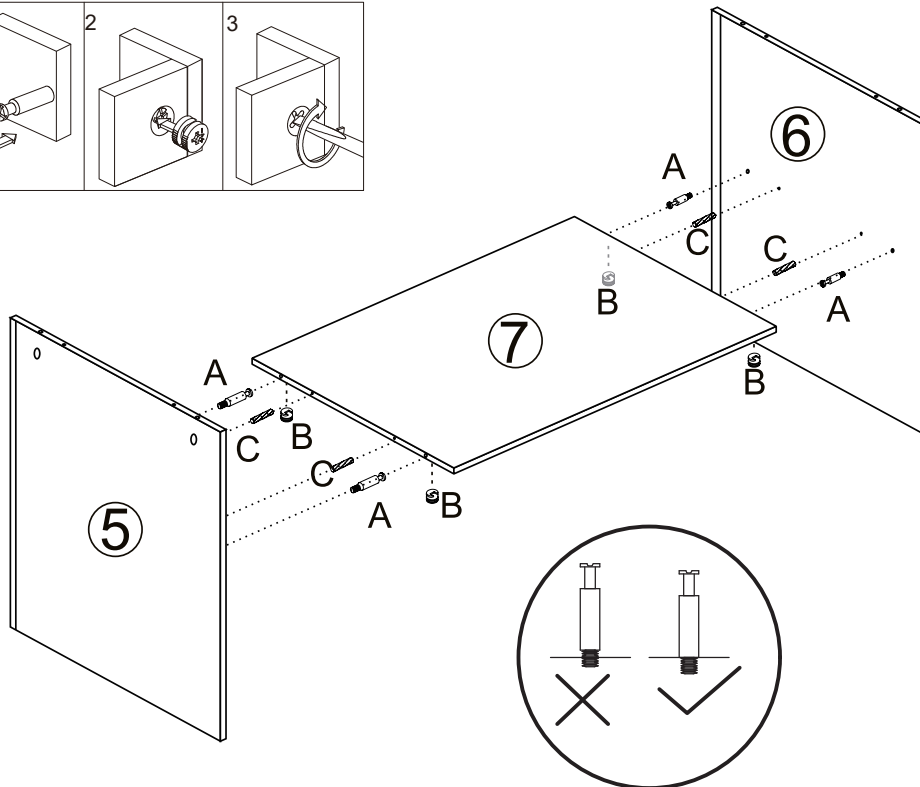
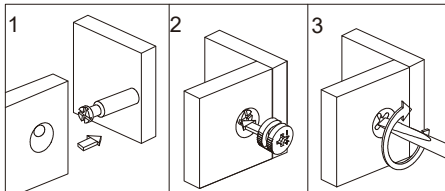
Insert C (2 pieces) into the corresponding positions on Board 1. Screw A (2 pieces) into the corresponding positions on Board 11, then secure with B (2 pieces). Repeat the same process to fix the other Board 11 to Board 2.

2

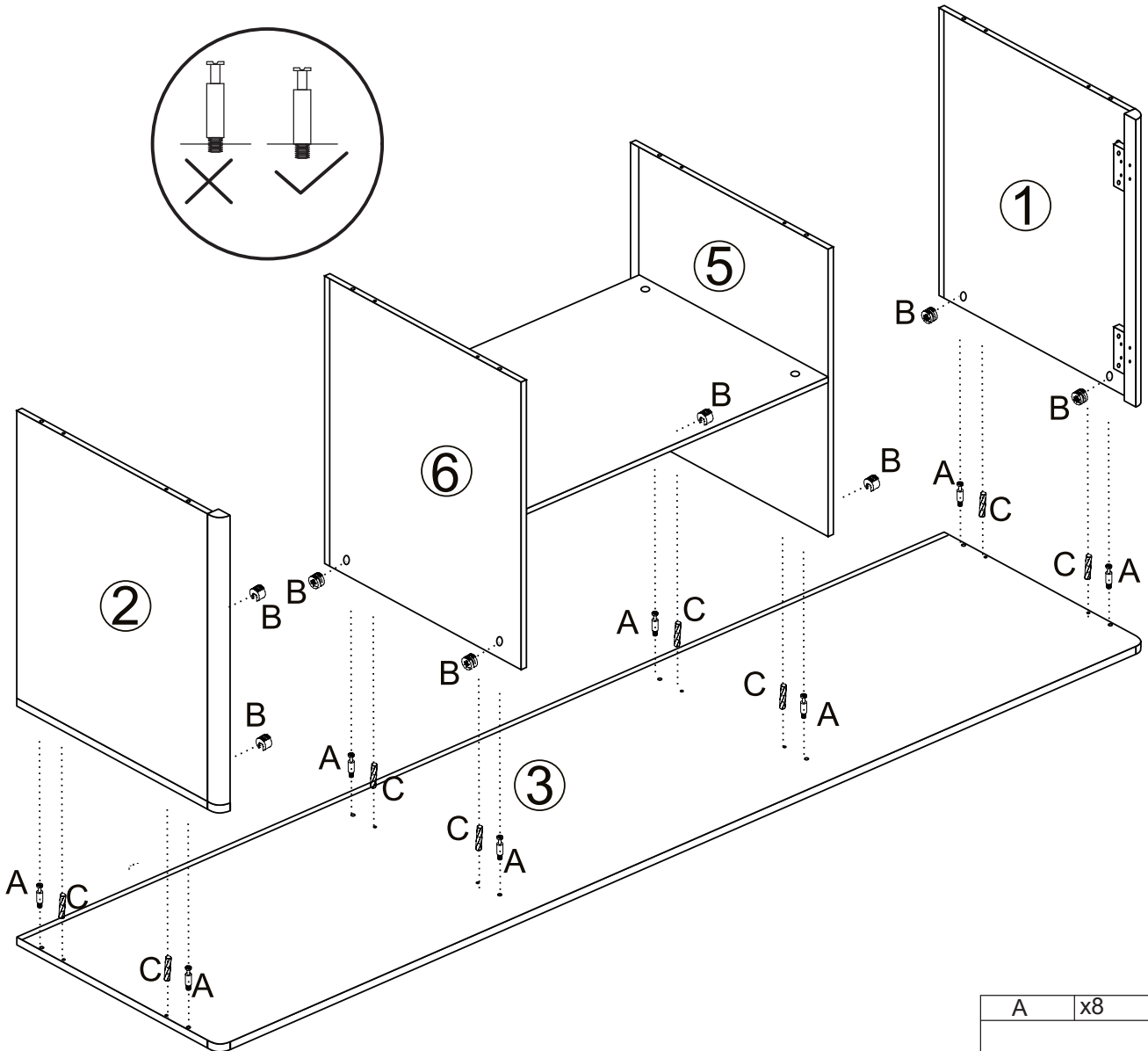
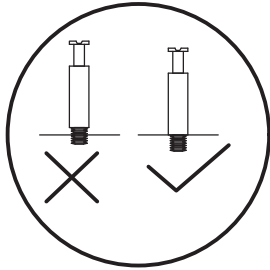
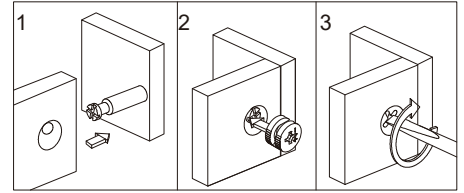


Use I (4 pieces) to fix Board 12 (2 pieces) onto Board 1. Repeat the same process to fix the other Board 12 (2 pieces) onto Board 2.

3



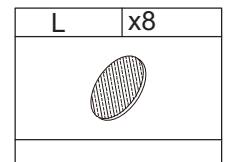
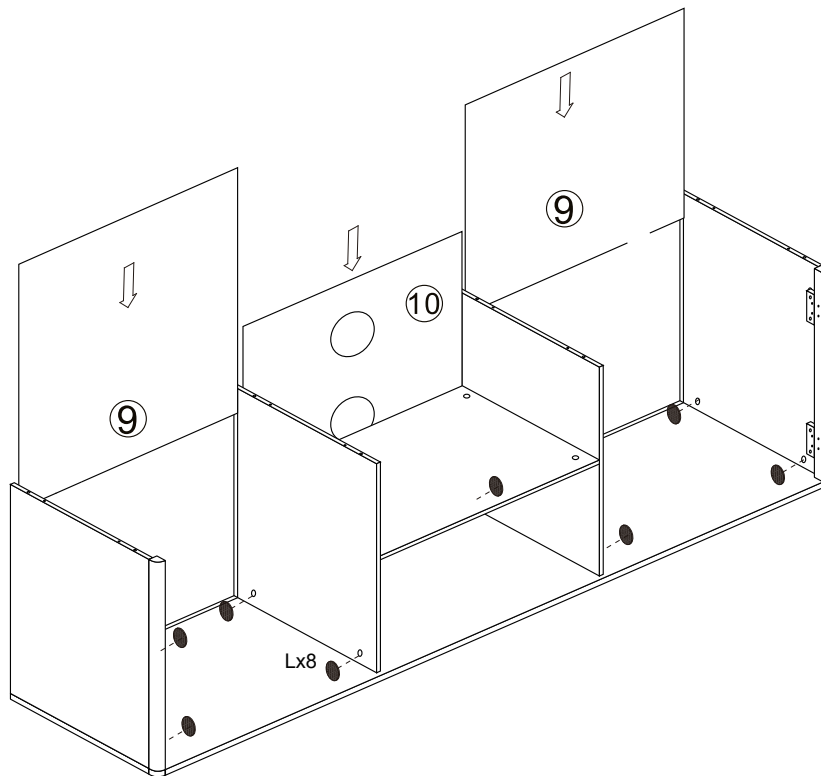
Insert C (4 pieces) into the corresponding positions on Board 7. Screw A (2 pieces) into Boards 5 and 6 respectively, and secure them to Board 7 using B (2 pieces) for each.



A	x8
B	x8
C	x8

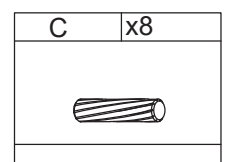
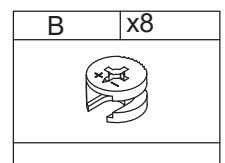
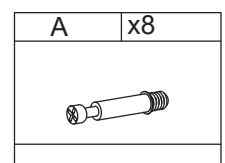
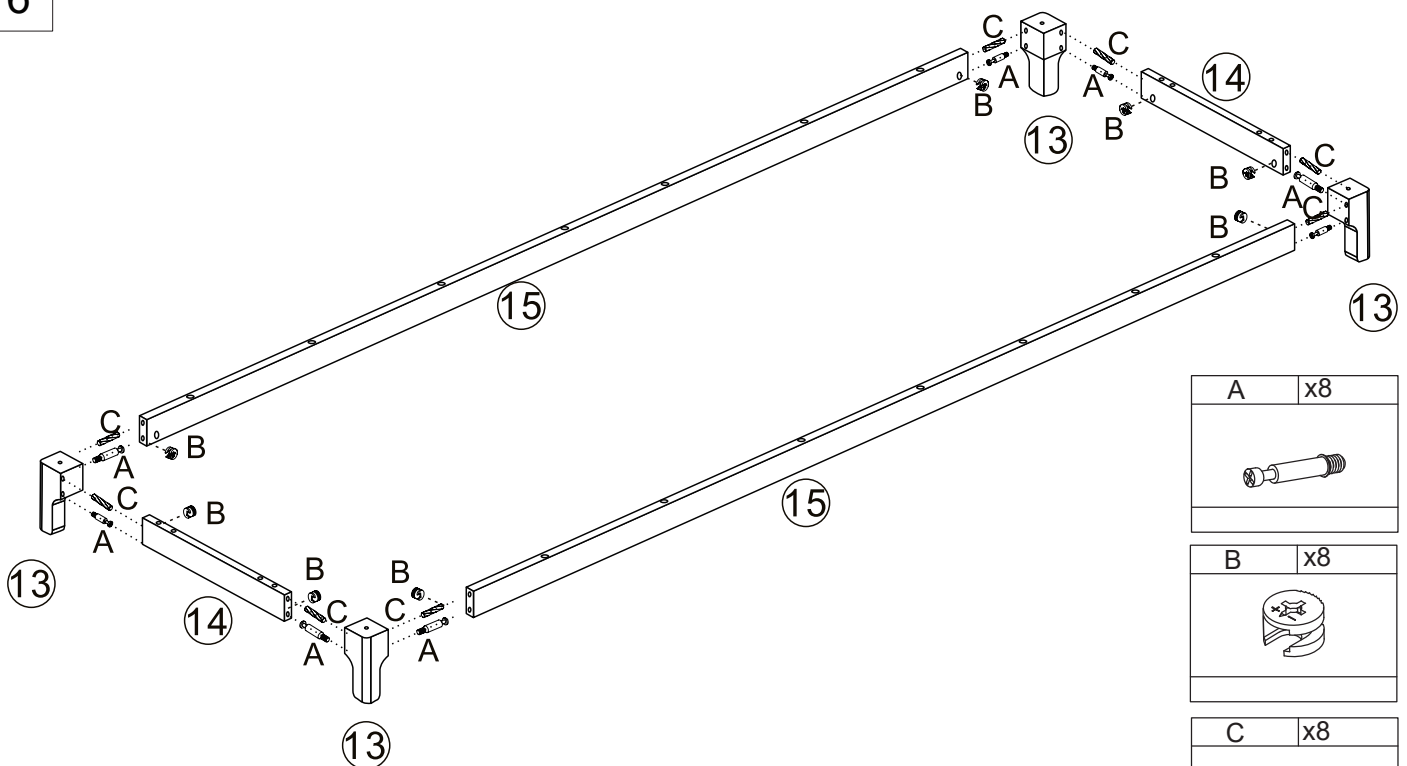
Insert C (8 pieces) into Board 3. Screw A (8 pieces) into the corresponding positions on Board 3. Use B (2 pieces) each to fix Boards 1, 2, 5, and 6 to Board 3.

5

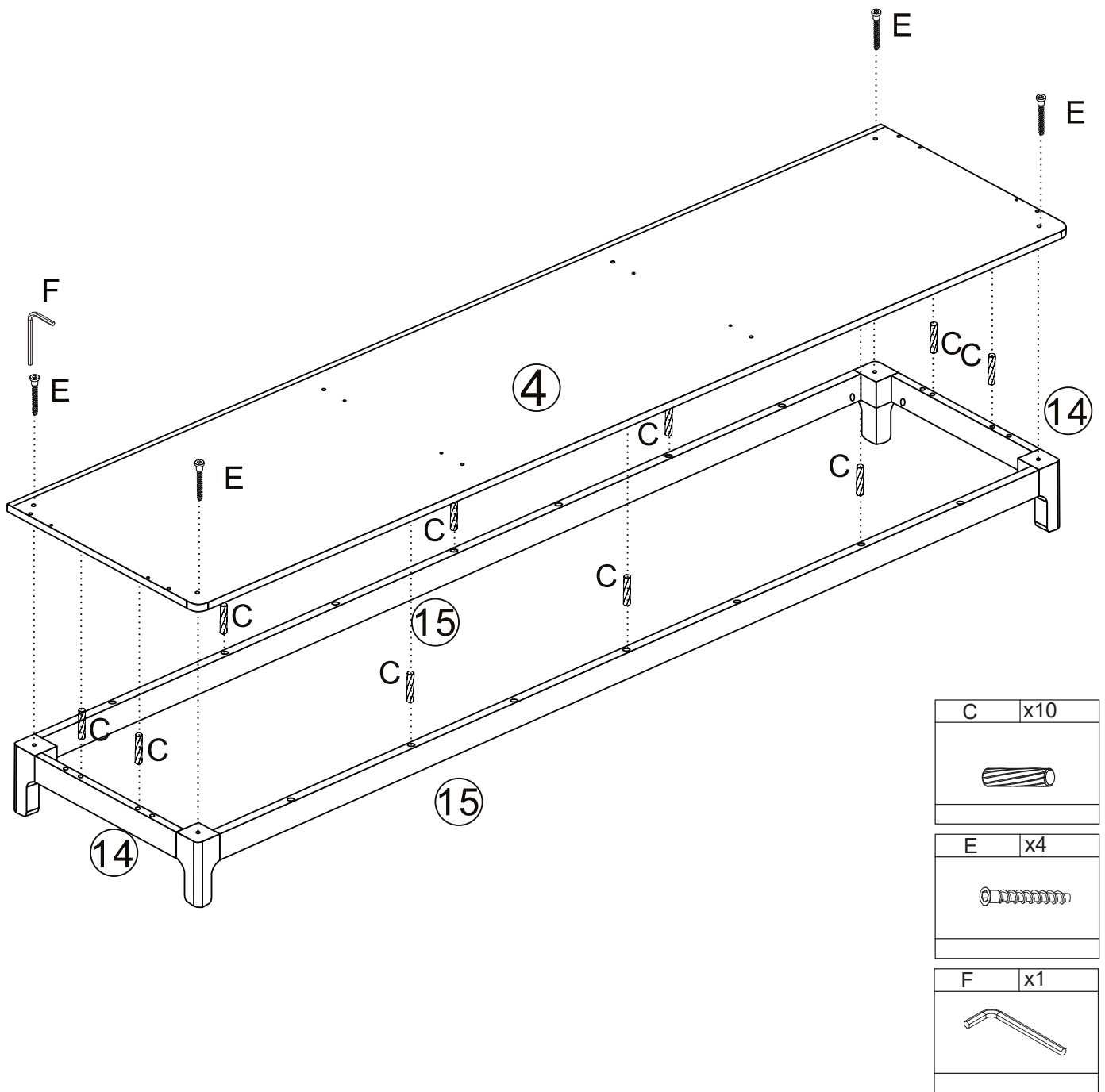


Insert Board 9 (2 pieces) and Board 10 (1 piece) into the corresponding slots as shown. Attach L (8 pieces) to the corresponding holes.

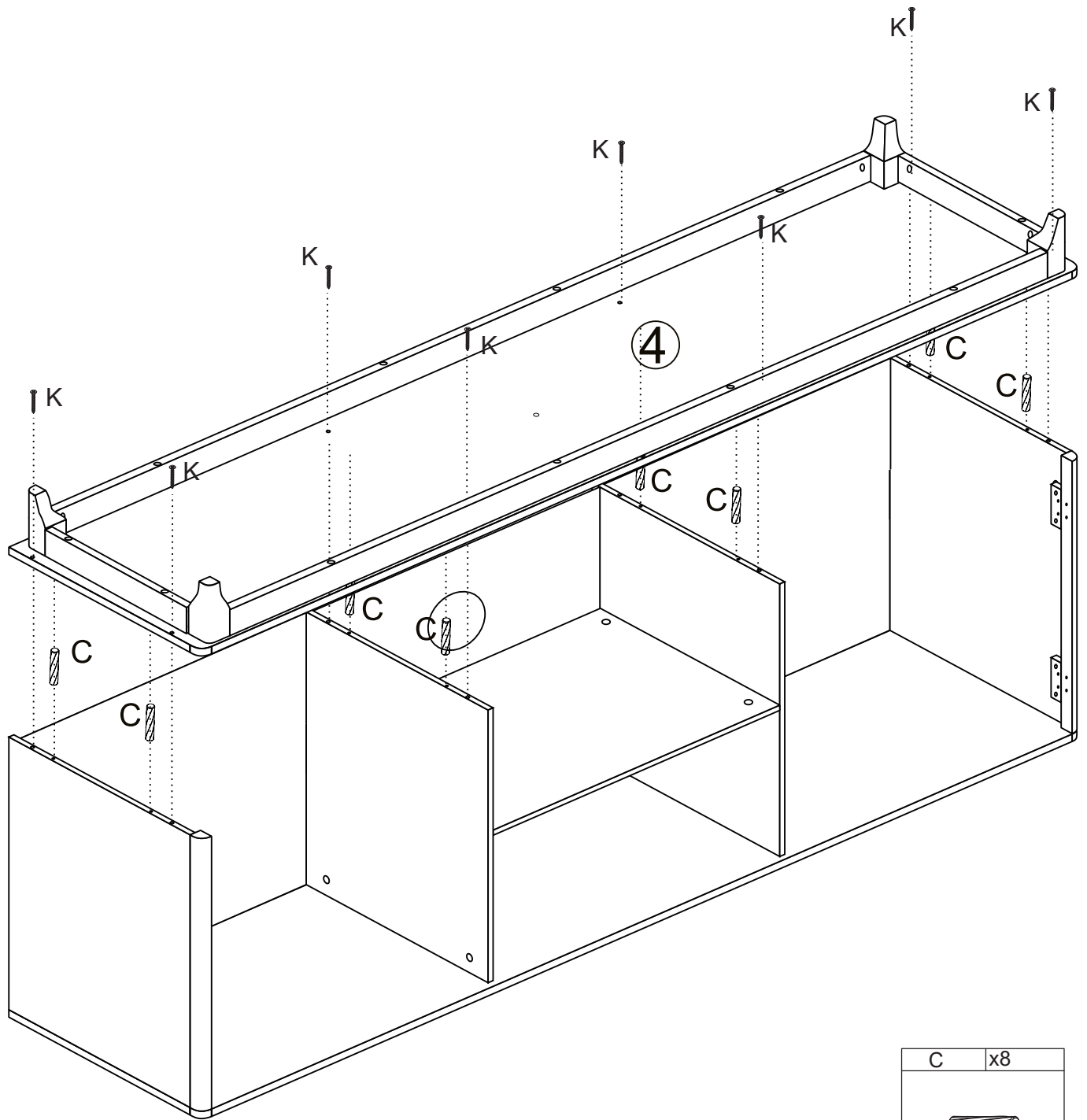
6





Insert C (8 pieces) into the corresponding positions. Use A (8 pieces) and B (8 pieces) to fix the table legs, Board 13 (4 pieces), to the base frame.



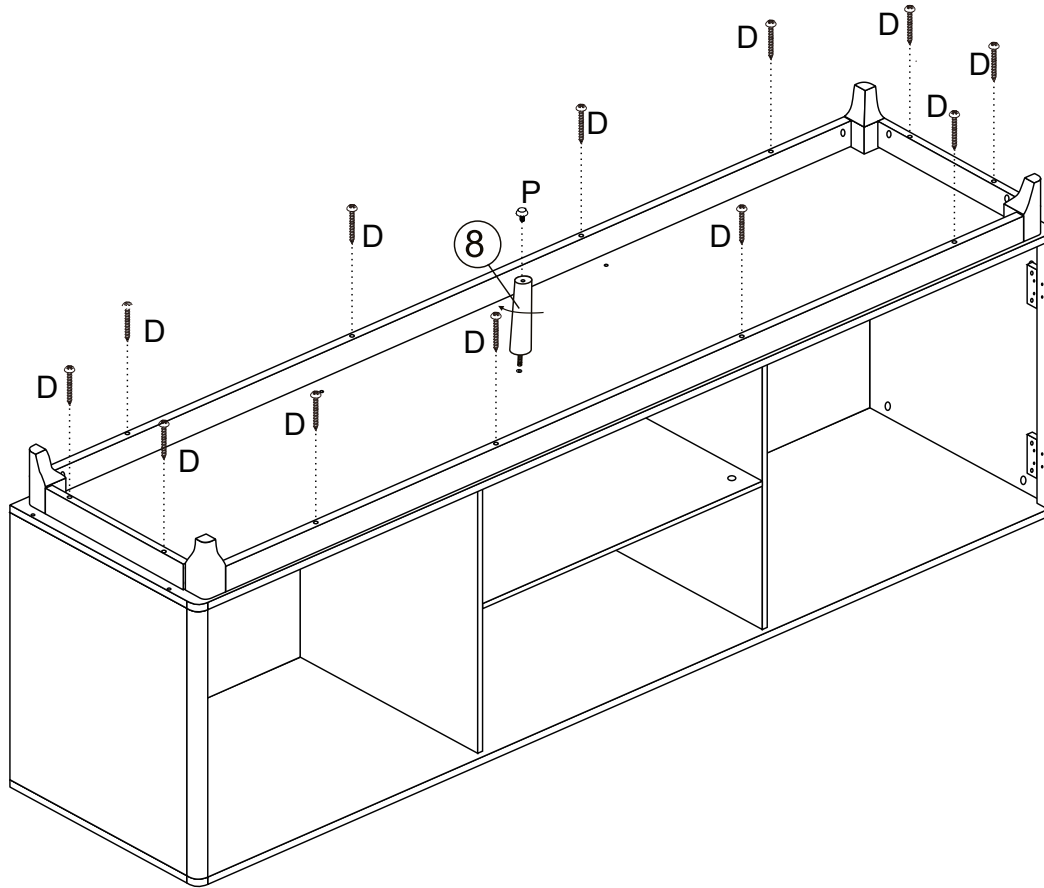
Insert C (10 pieces) into the corresponding positions. Use screws E (4 pieces) to fix Board 4 to the base frame.





C	x8
	
K	x8
	

Insert C (8 pieces) into the corresponding positions. Use screws K (8 pieces) to fix the base frame to the cabinet body.

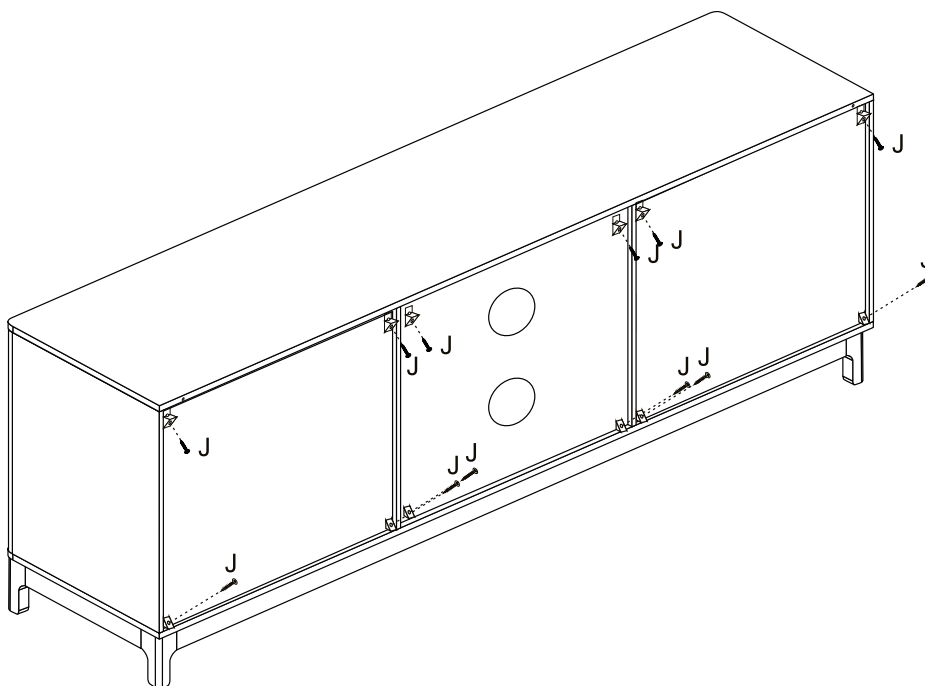
9




P	x1
	
D	x12
	

Use screws D (12 pieces) to further reinforce the base frame. Screw P into the leveling feet of Board 8, then screw the entire assembly into the baseboard.

10

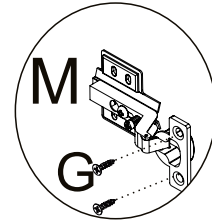
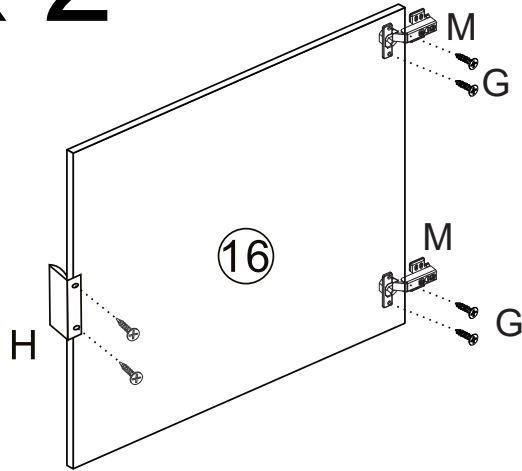


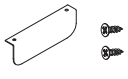
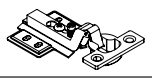

J	x12
	

Use J (12 pieces) to reinforce the back panel with the cabinet body.

11

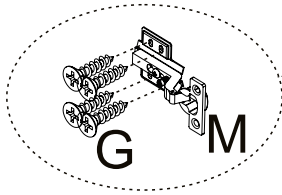
X 2



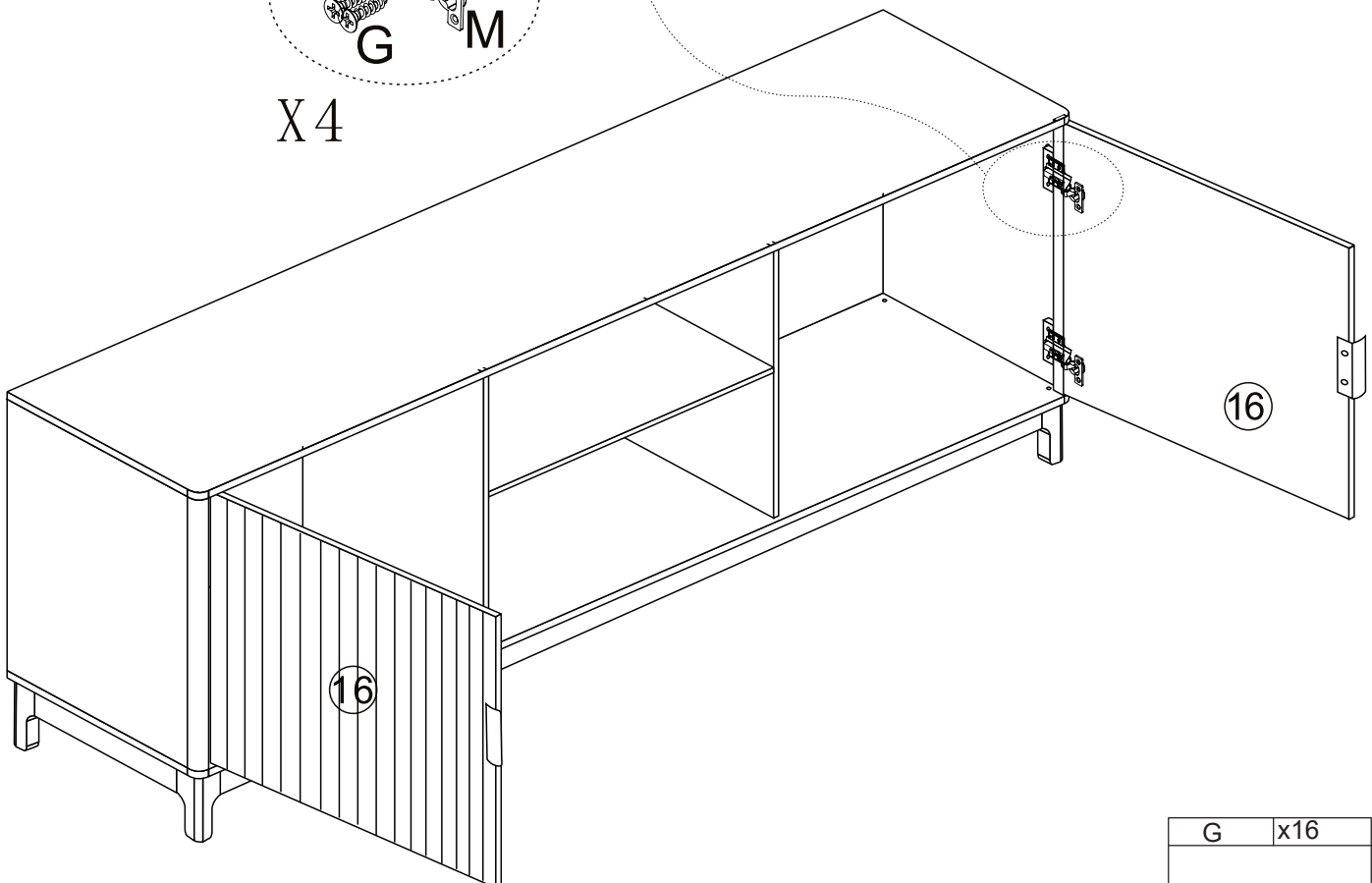
H	x2
	
M	x4
	
G	x8
	

Use screws G (4 pieces) to fix M (2 pieces) onto Board 16 respectively, and attach handle H to each. Repeat the same process to complete 2 units.


12

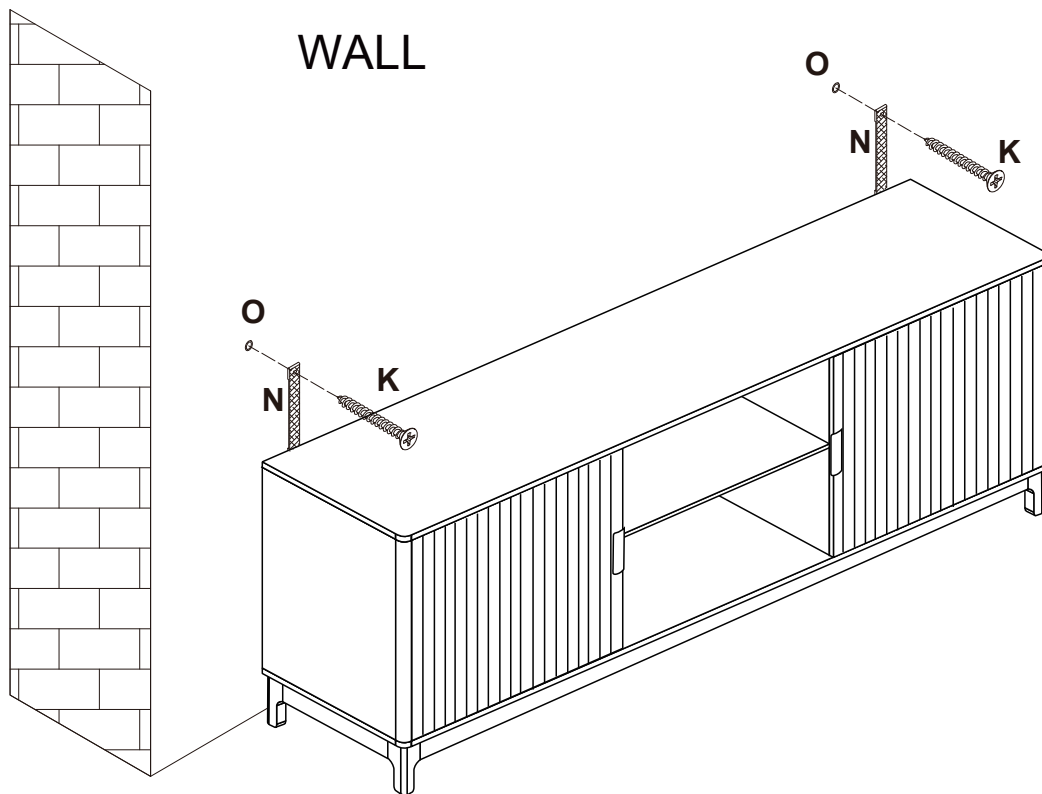
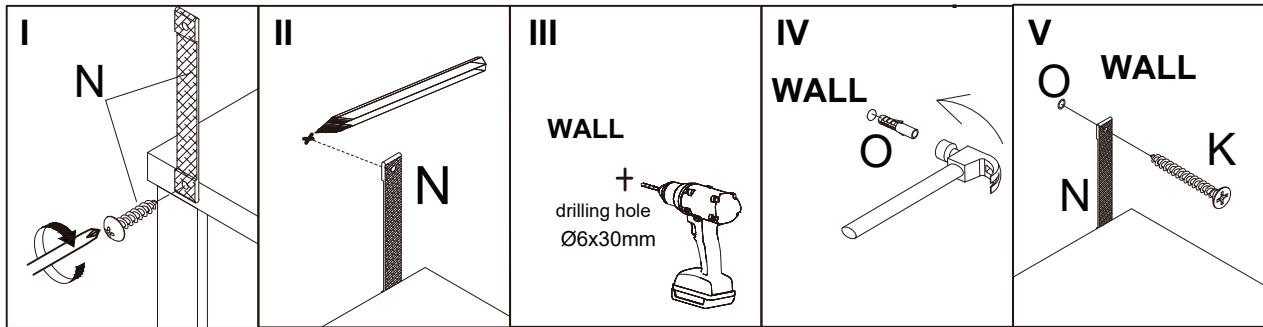


X 4



Use screws G (8 pieces) to fix the cabinet door, Board 16, onto the cabinet body. Repeat the same process for the other side.

G	x16
	



N	x2
O	x2
K	x2

This step aims to fix the cabinet to the wall.

I: use the corresponding screws to tighten the anti-dumping ligament strip N (2 pcs) in the corresponding positions.

II: First, align the ligament N with the position on the wall where it is to be fixed and preset and mark the points.

III: Use an electric drill to drill holes at the marked positions on the wall. The size of the holes should be suitable for the screws and should not exceed the size.

IV: Then use a hammer to insert the screw cap O into the wall hole.

V: Use screw K to embed and fix the ligament N alignment nut O.

Thank You!

For Your Purchase

Dear Customer,

Thank you for your recent order.

Each customer enjoys a one-year warranty. Once the warranty is activated, we promise to provide you with a risk-free experience, please contact us to register and activate it.


Contact us before a refund/ return to open the fast track. We're online 24 hours a day.

Have a wonderful day!

Contact us to unlock benefits

- ✓ Activating the One-year Warranty
- ✓ Viewing the Installation Video
- ✓ Getting a \$5-\$15 Gift Card / Salt Lamp
- ✓ Joining the New Product Trial Program

Please kindly contact us in time if you need customer service.

 +1 7402568754

 service_April@163.com

Thanks again for your purchasing!