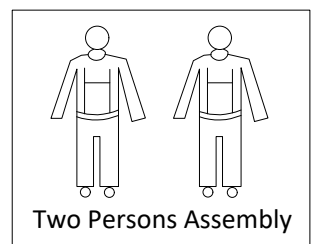
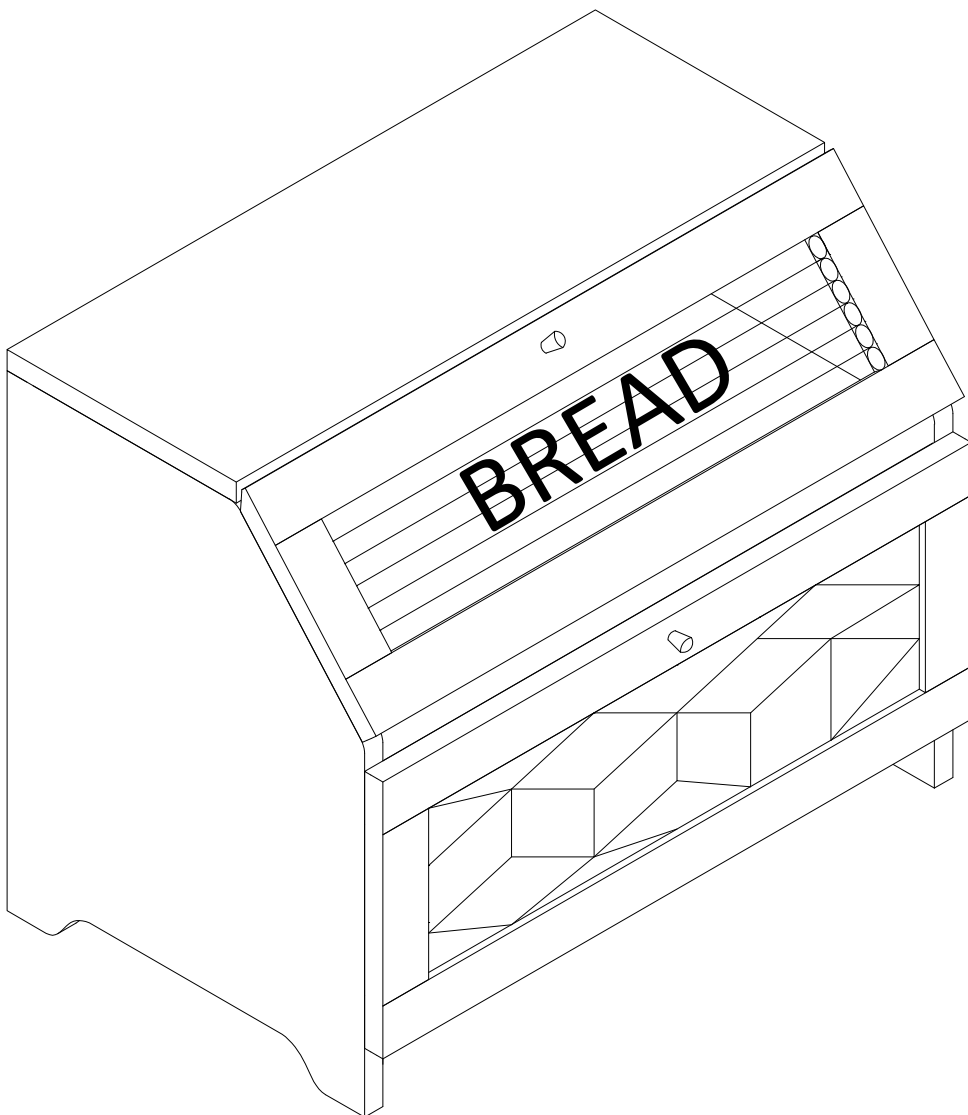
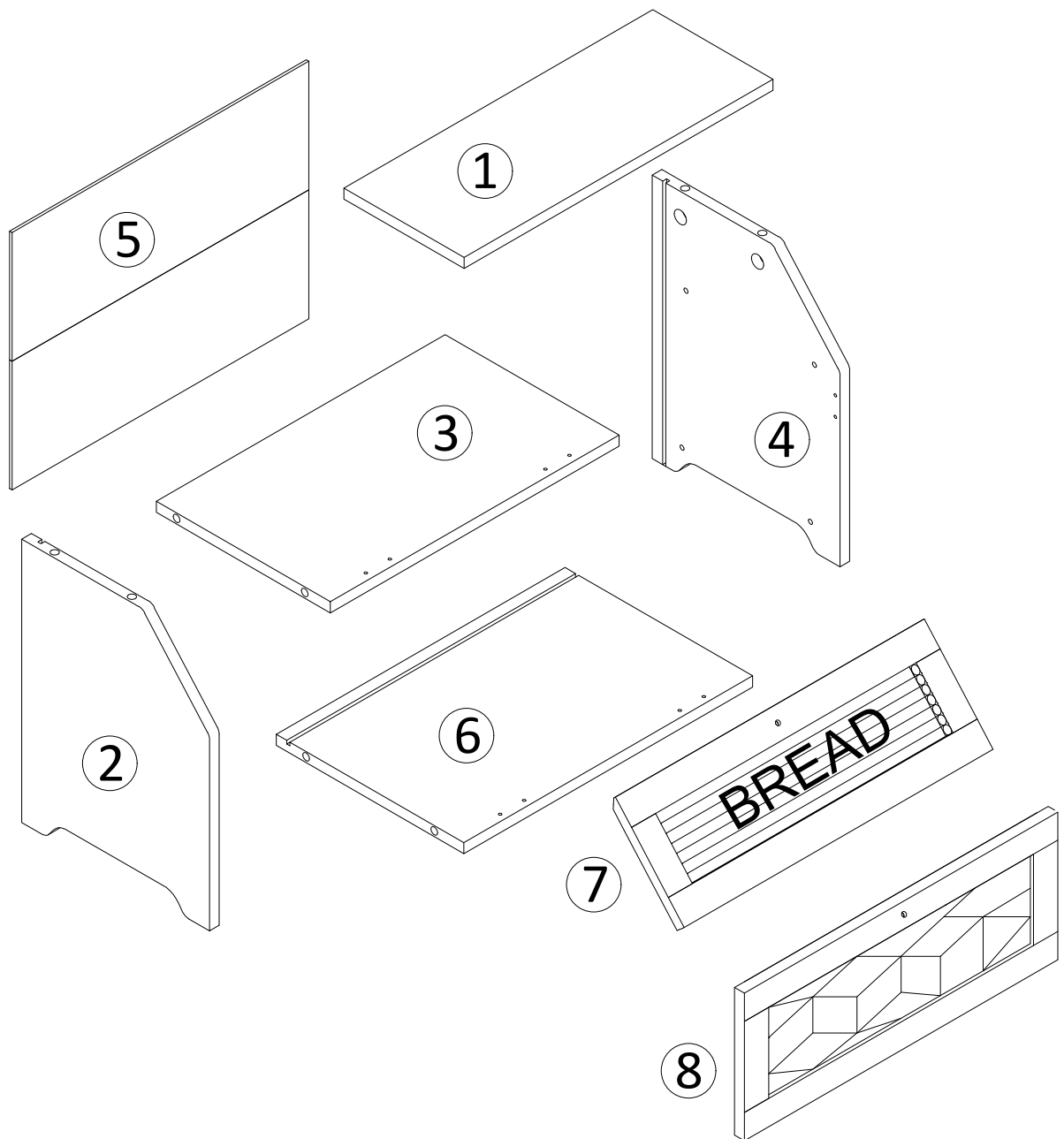


ASSEMBLY INSTRUCTIONS



Laying out all the parts and hardware and identifying each part as shown below. It may help you when you assemble the item.



① × 1

② × 1

③ × 1

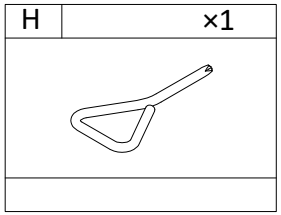
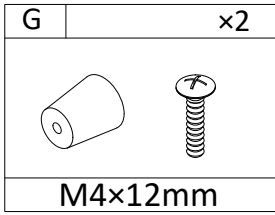
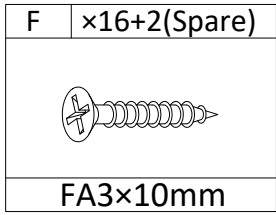
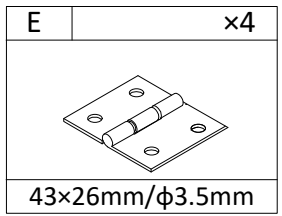
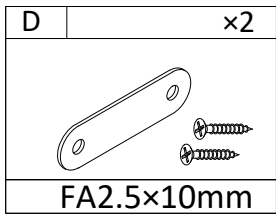
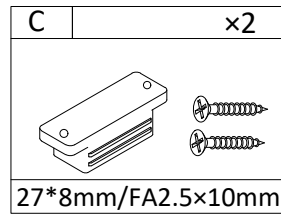
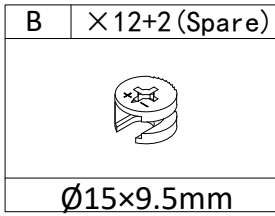
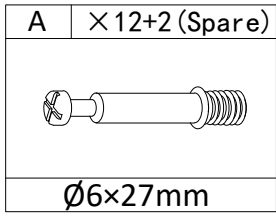
④ × 1

⑤ × 1

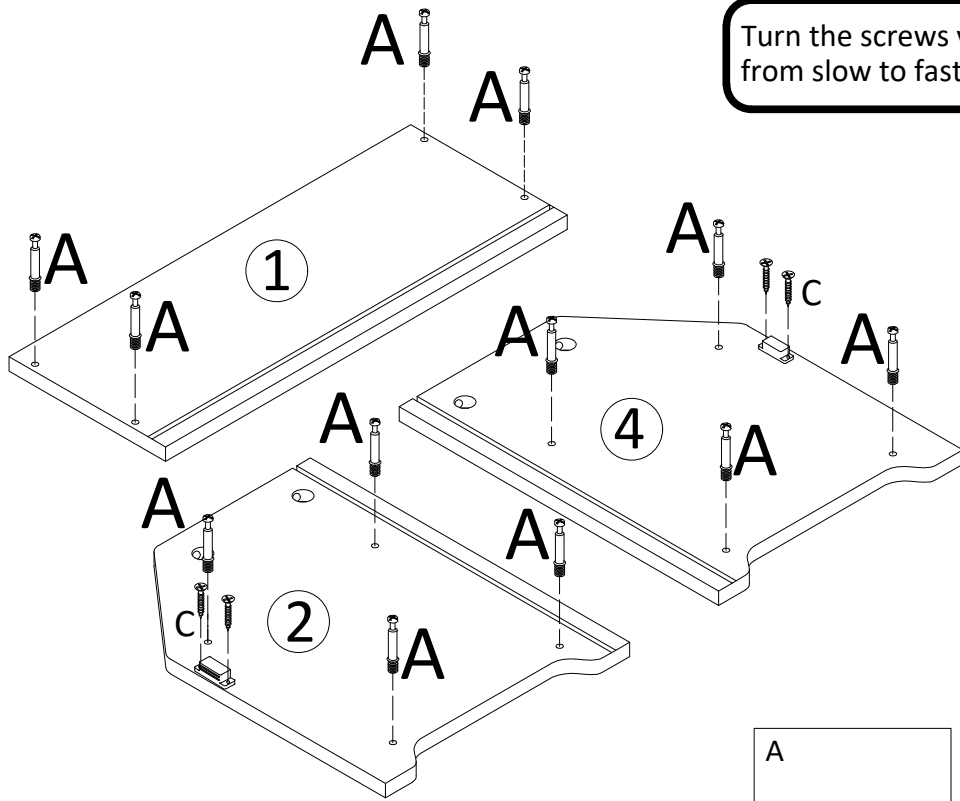
⑥ × 1

⑦ × 1

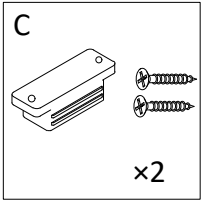
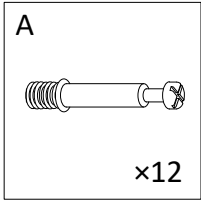
⑧ × 1



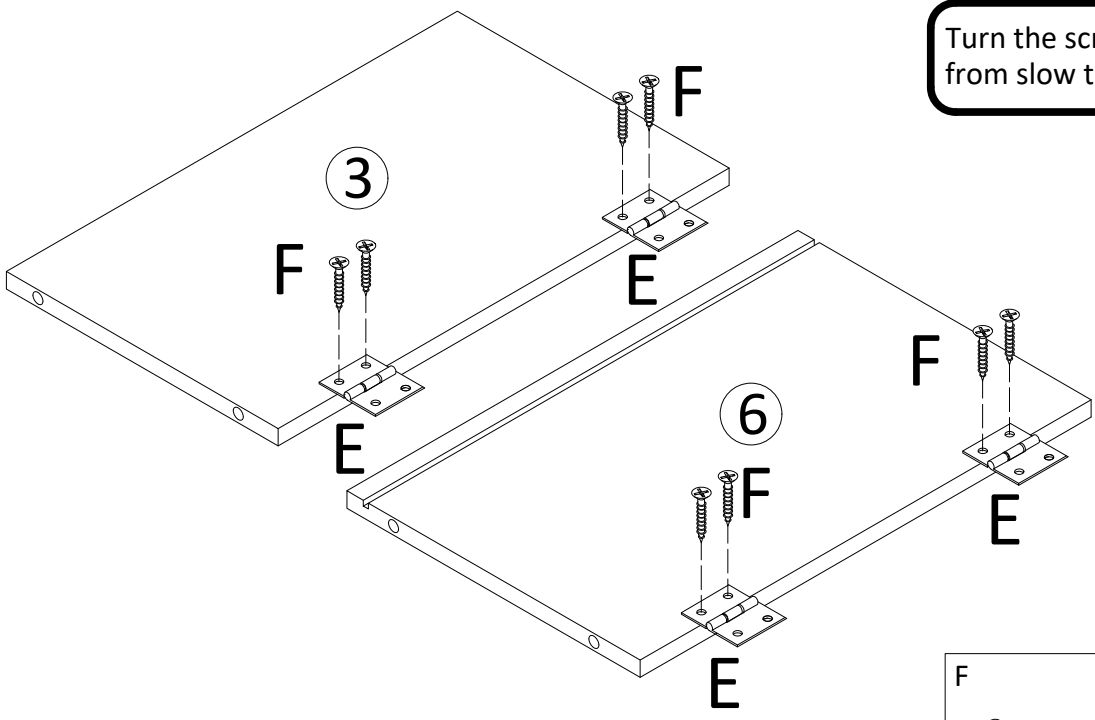
1



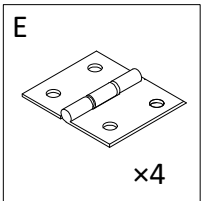
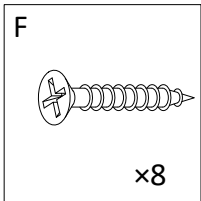
Turn the screws vertically from slow to fast.



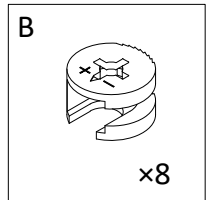
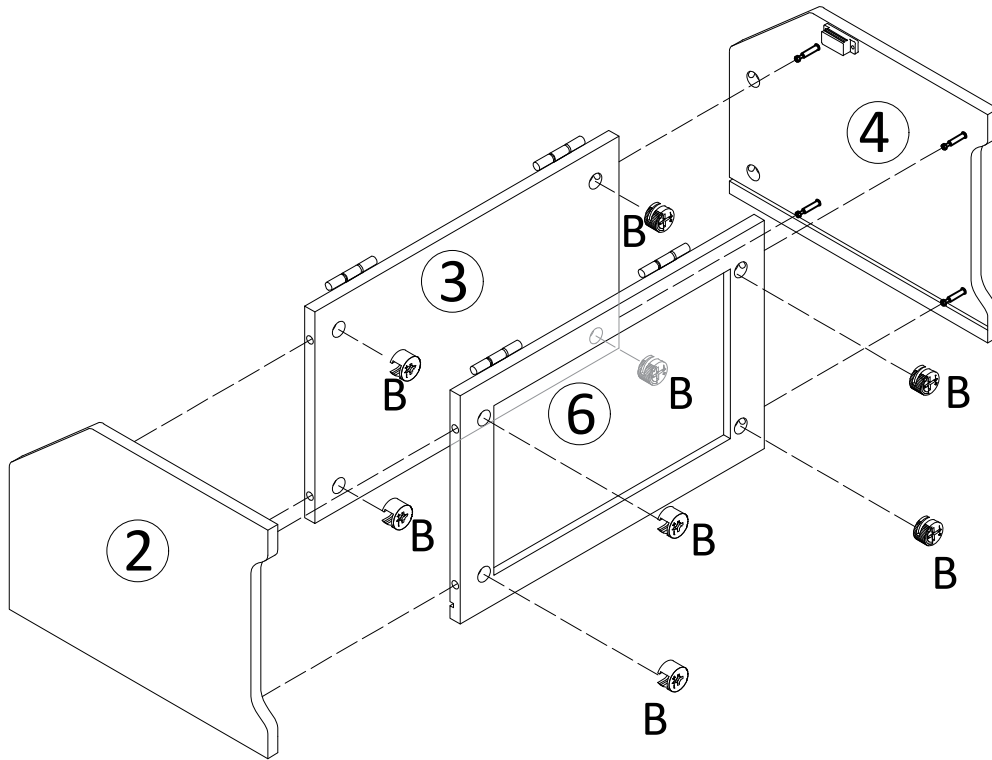
2



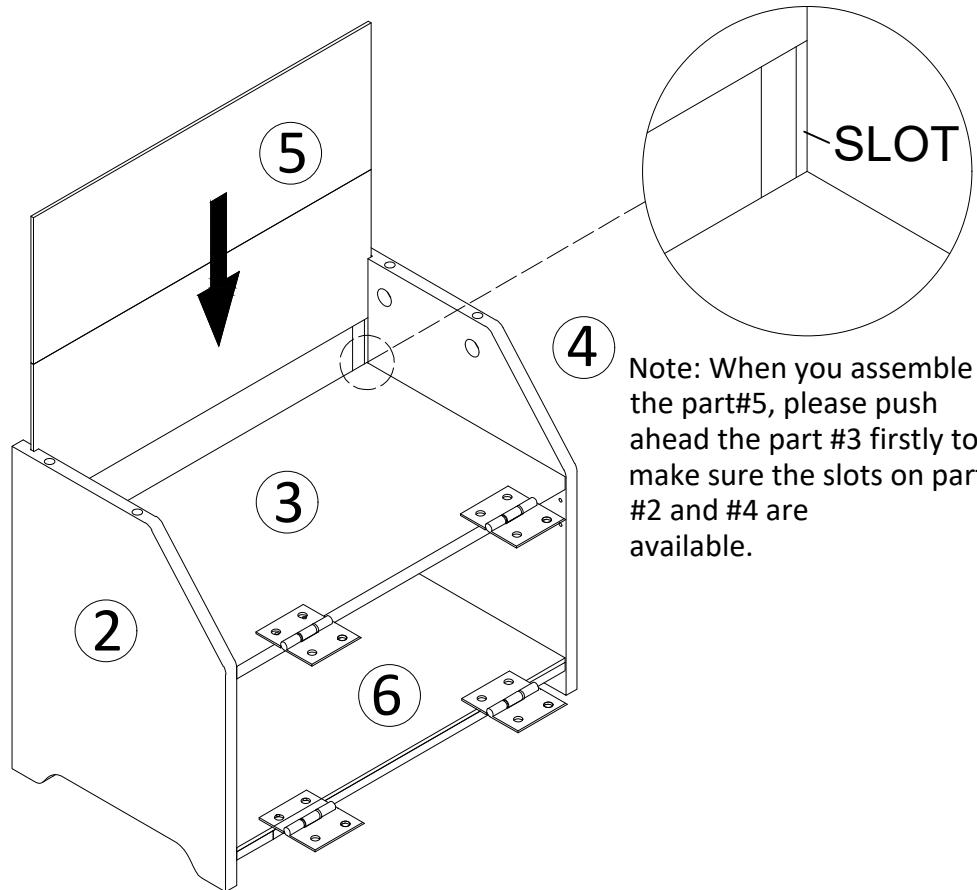
Turn the screws vertically from slow to fast.



3

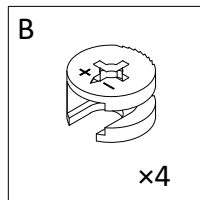
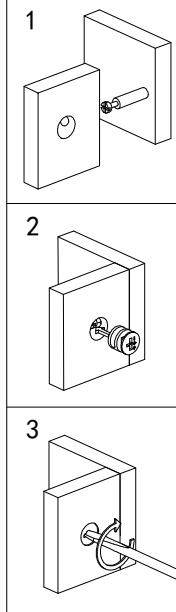
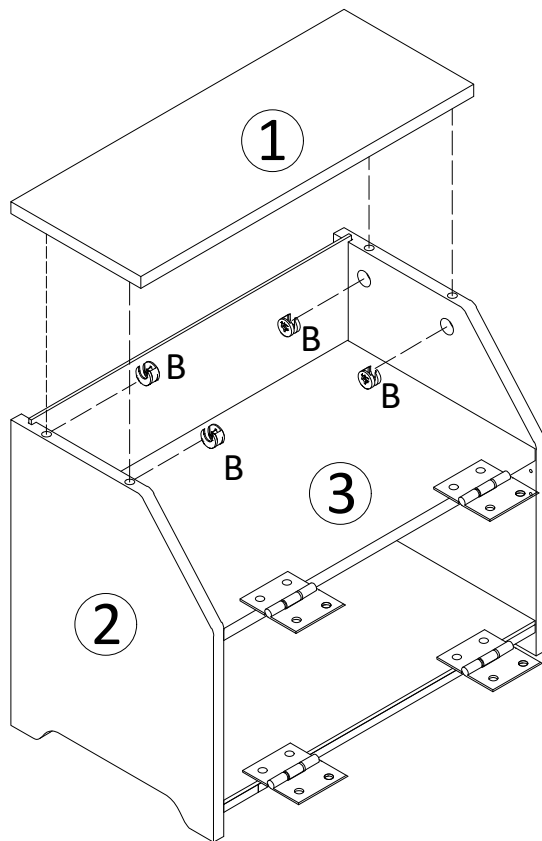


4

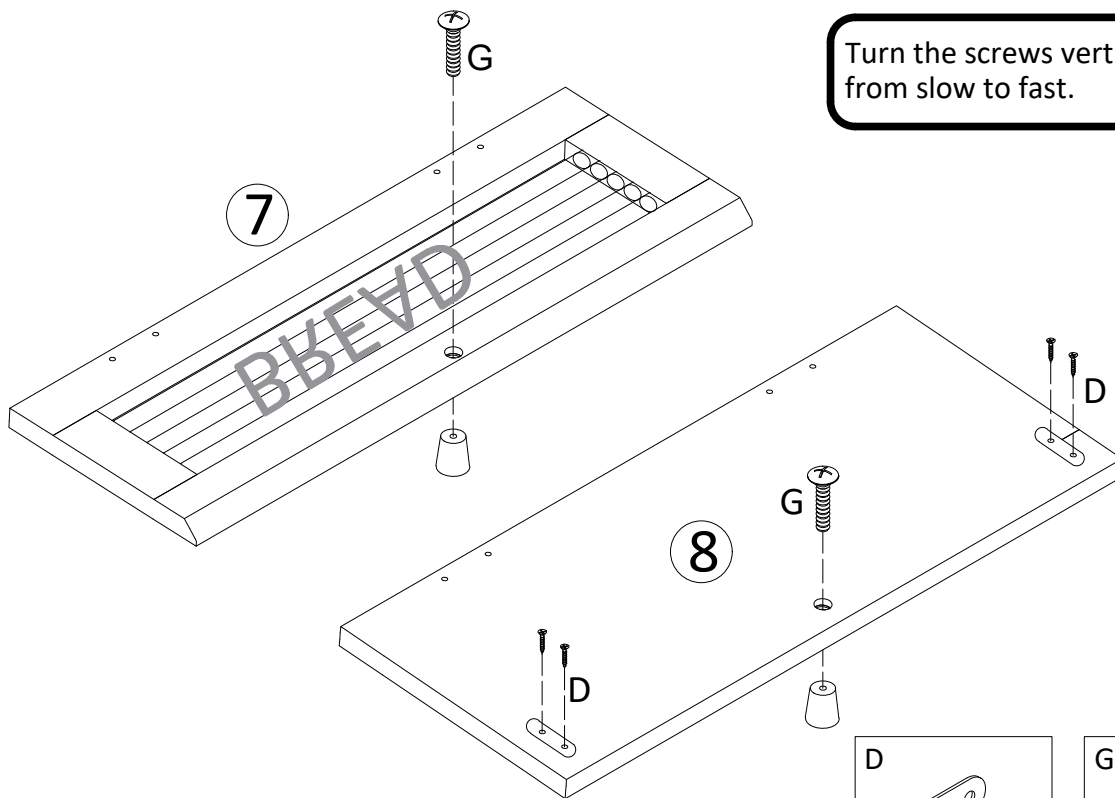


4 Note: When you assemble the part#5, please push ahead the part #3 firstly to make sure the slots on parts #2 and #4 are available.

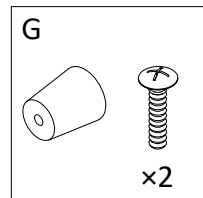
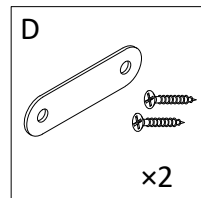
5



6

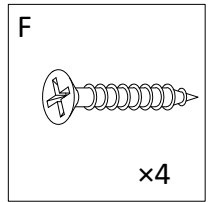
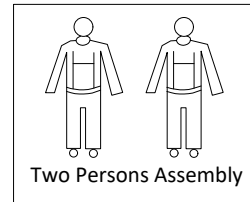
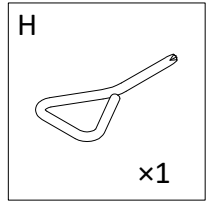
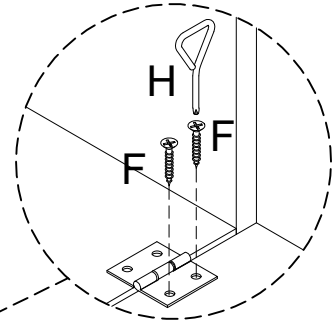
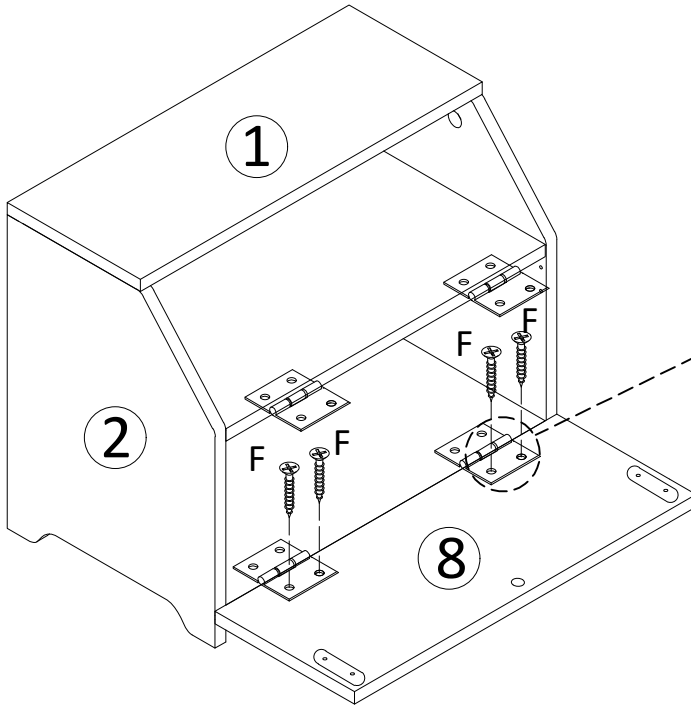


Turn the screws vertically from slow to fast.



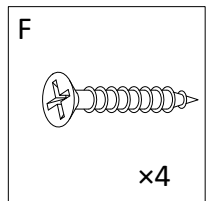
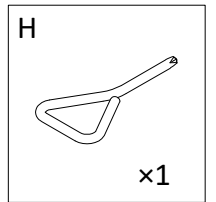
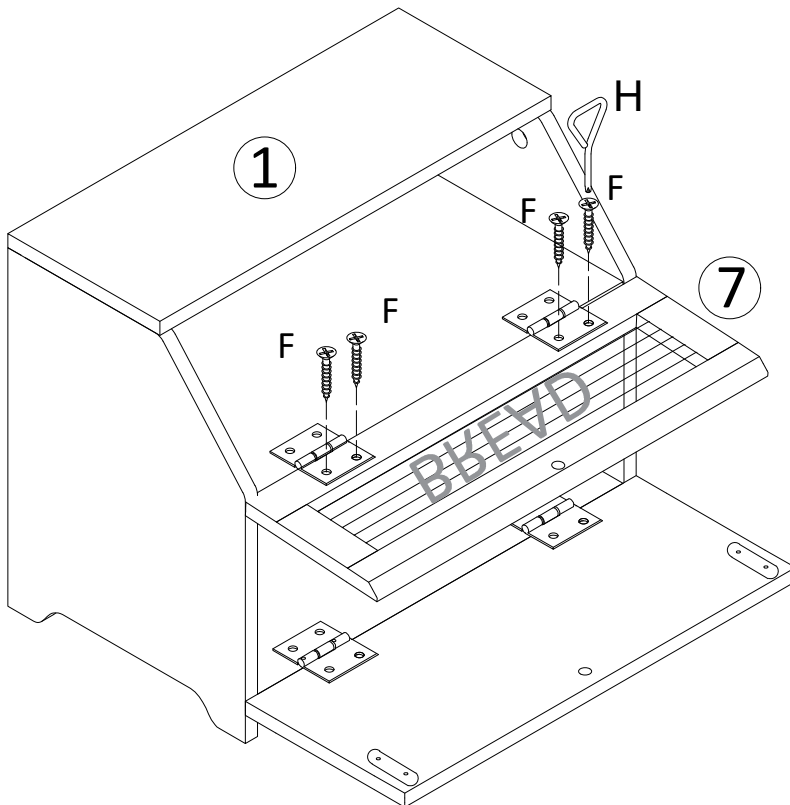
7

Turn the screws vertically from slow to fast.



8

Turn the screws vertically from slow to fast.



9

