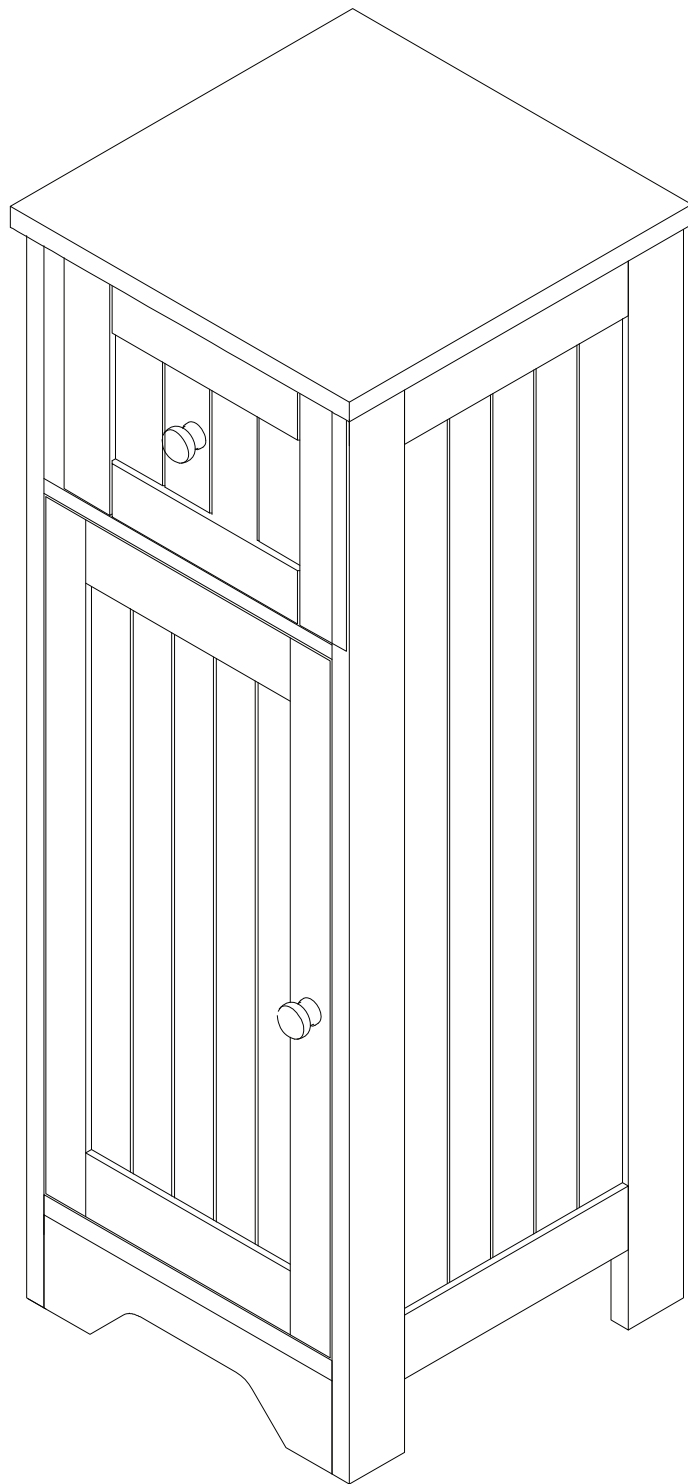
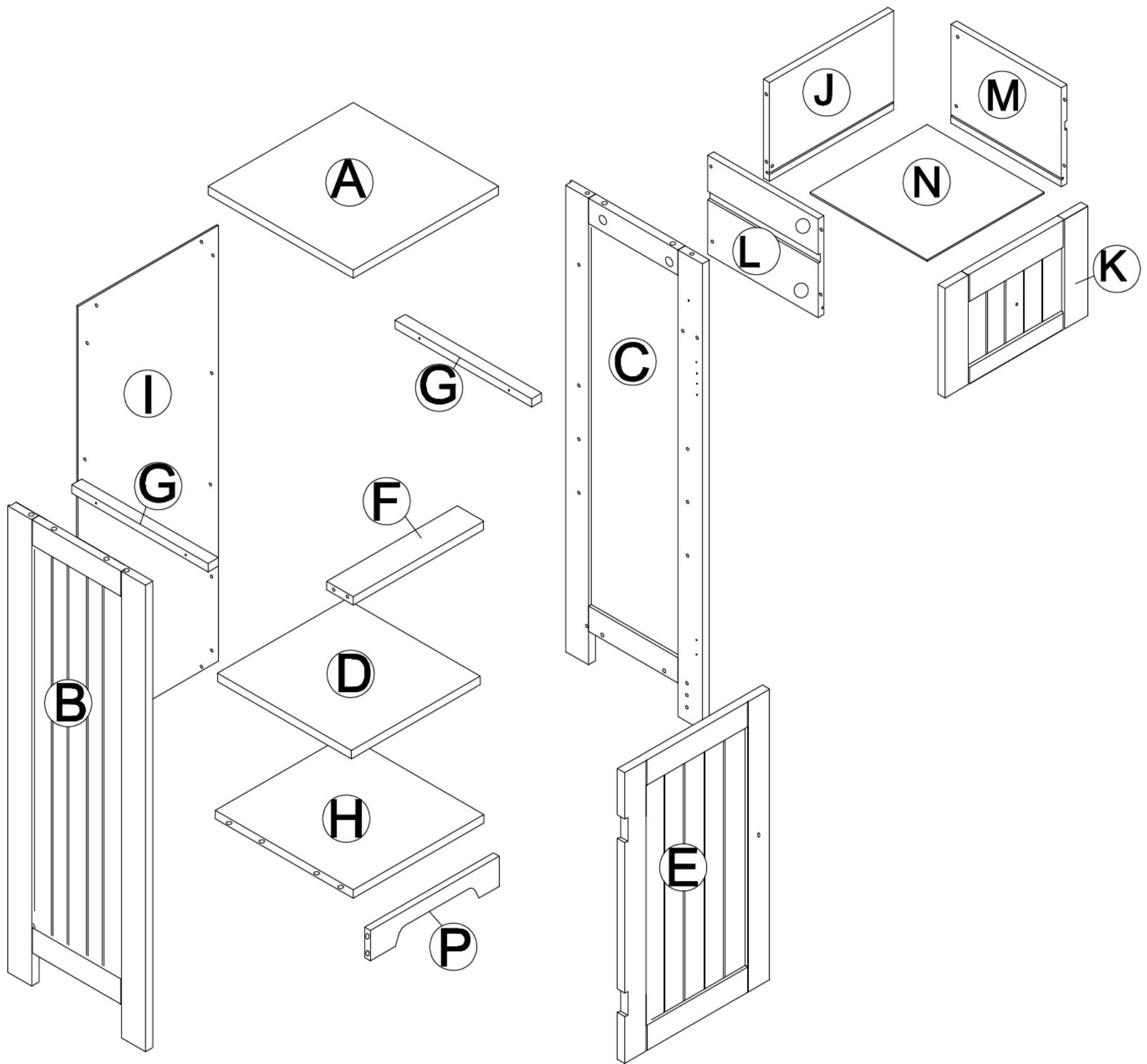





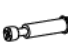











ASSEMBLY INSTRUCTIONS

<<Before assembling, read all the instructions>>

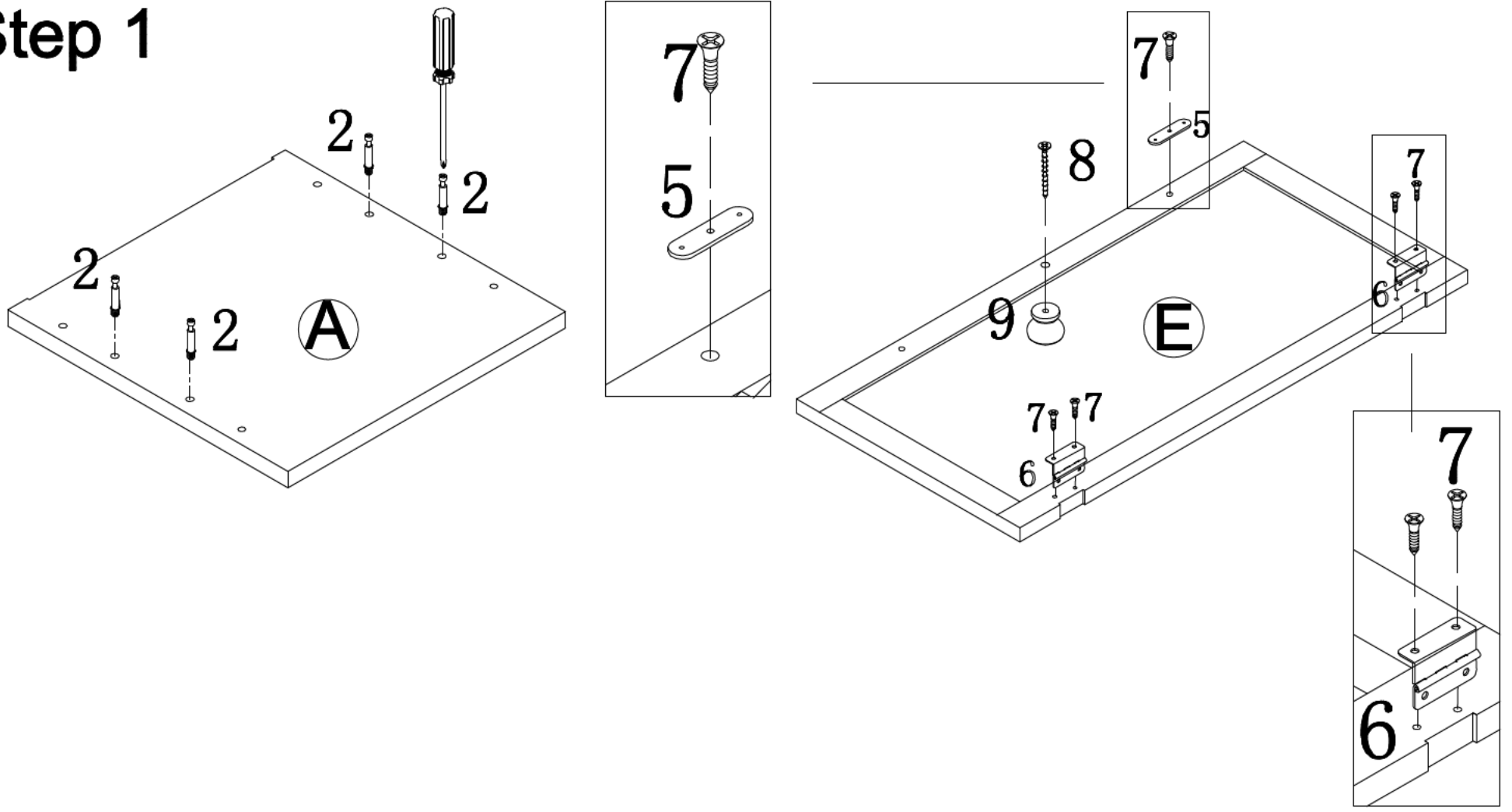




Hardware:

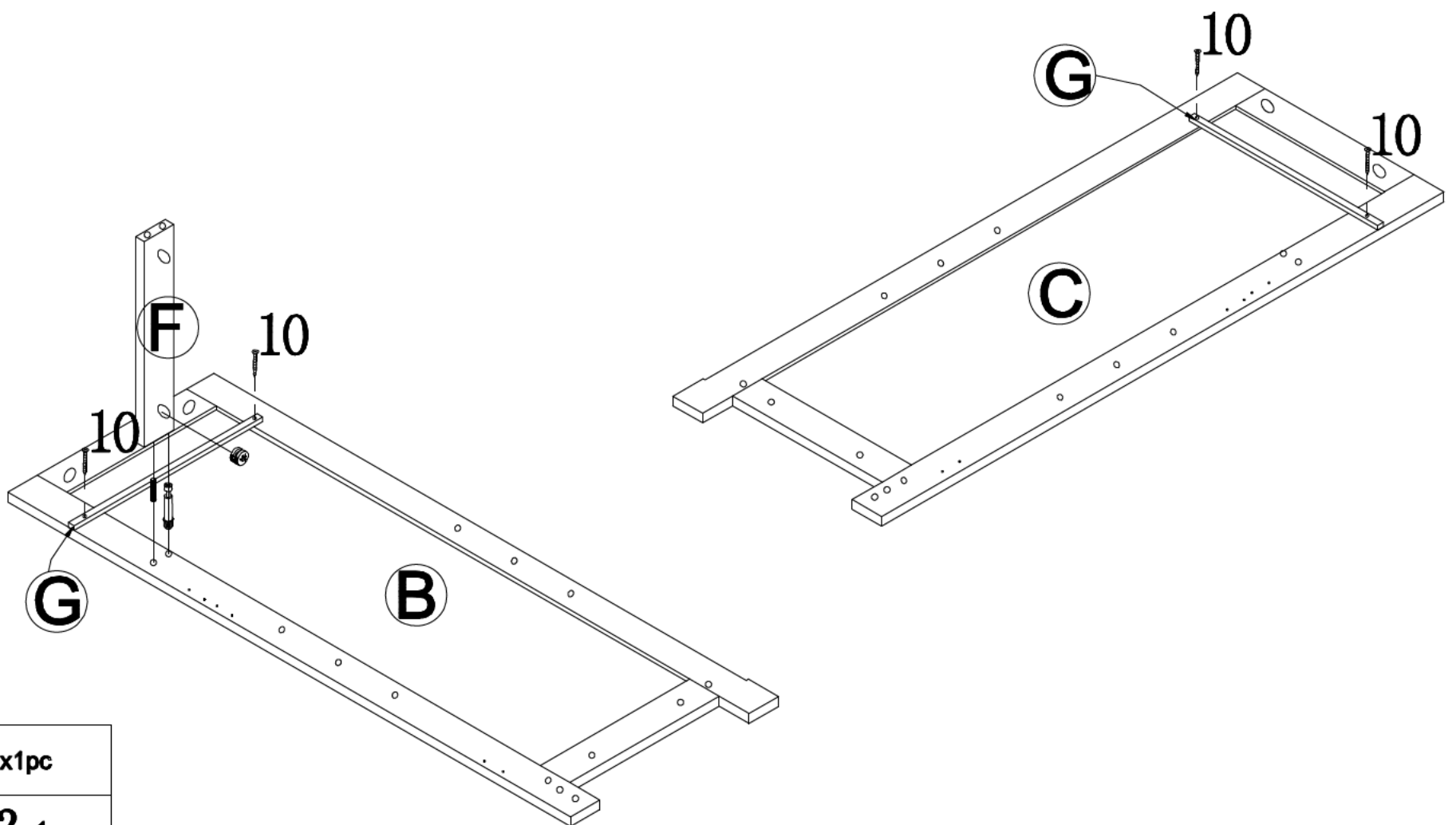
Letter	Draw	Number	Letter	Draw	Number	Letter	Draw	Number
1	 6x30mm	14 pcs	7	 3x10mm	10 pcs	13		4 pcs
2		14 pcs	8	 4x25mm	5 pcs	14		1 pc
3	 15x9.5mm	14 pcs	9		2 pc	15	 4x20mm	1 pc
4		1 pc	10	 3.5x18mm	4 pcs			
5		1 pc	11	 2.5x10mm	14 pcs			
6		2 pcs	12	 2.5x14mm	2 pcs			

Step 1



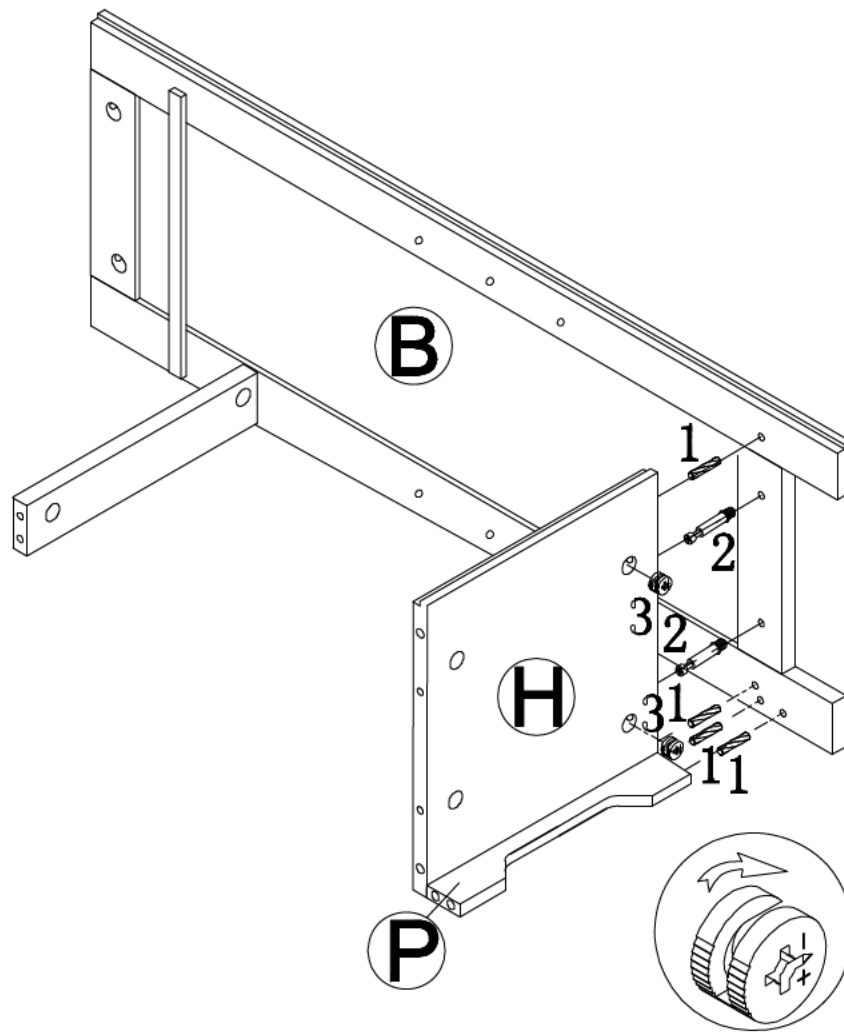
2x4pcs	7x5pcs
5x1pc	8x1pc
6x2pcs	9x1pc




Step 2



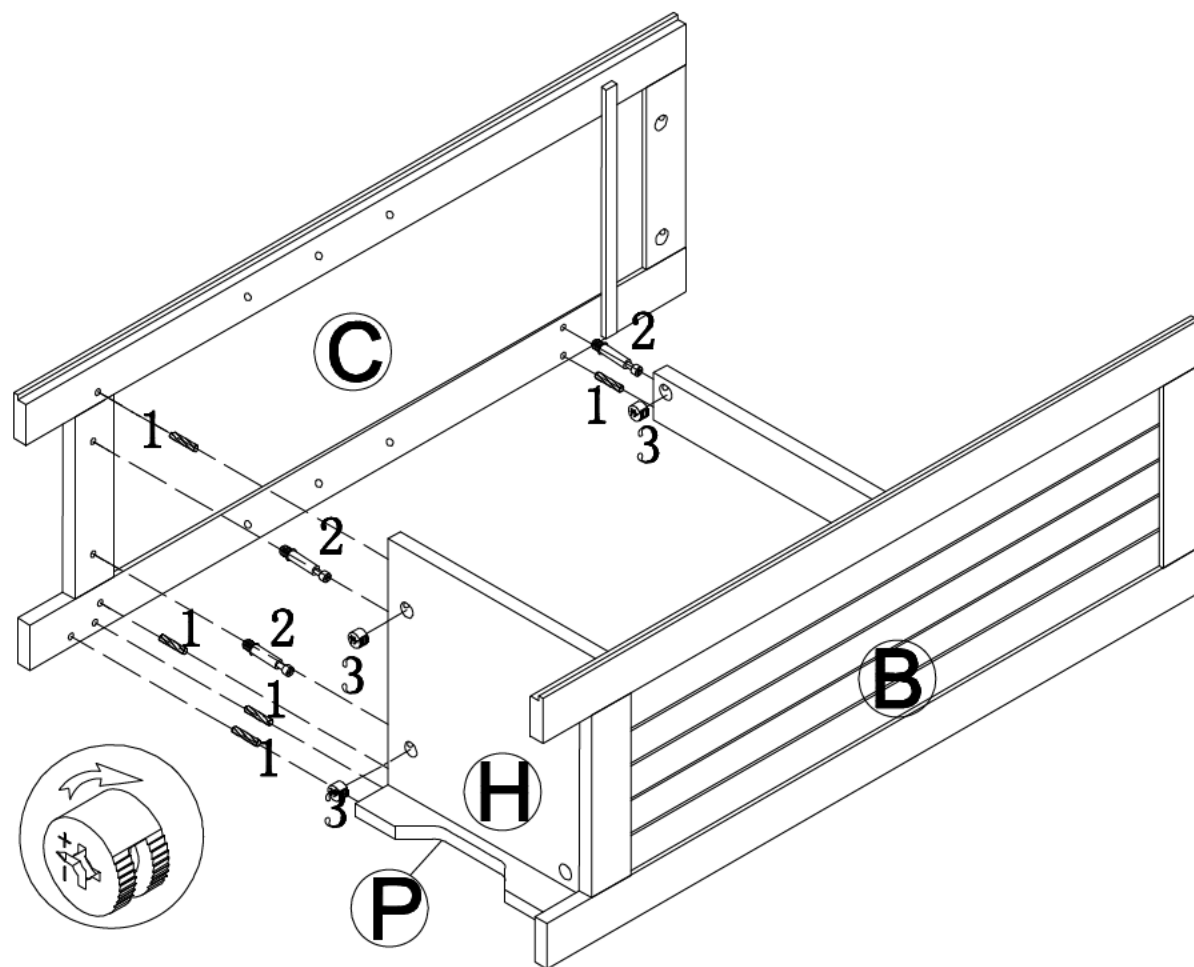
1x1pc
2x1pc
3x1pc
10x4pcs




Step 3



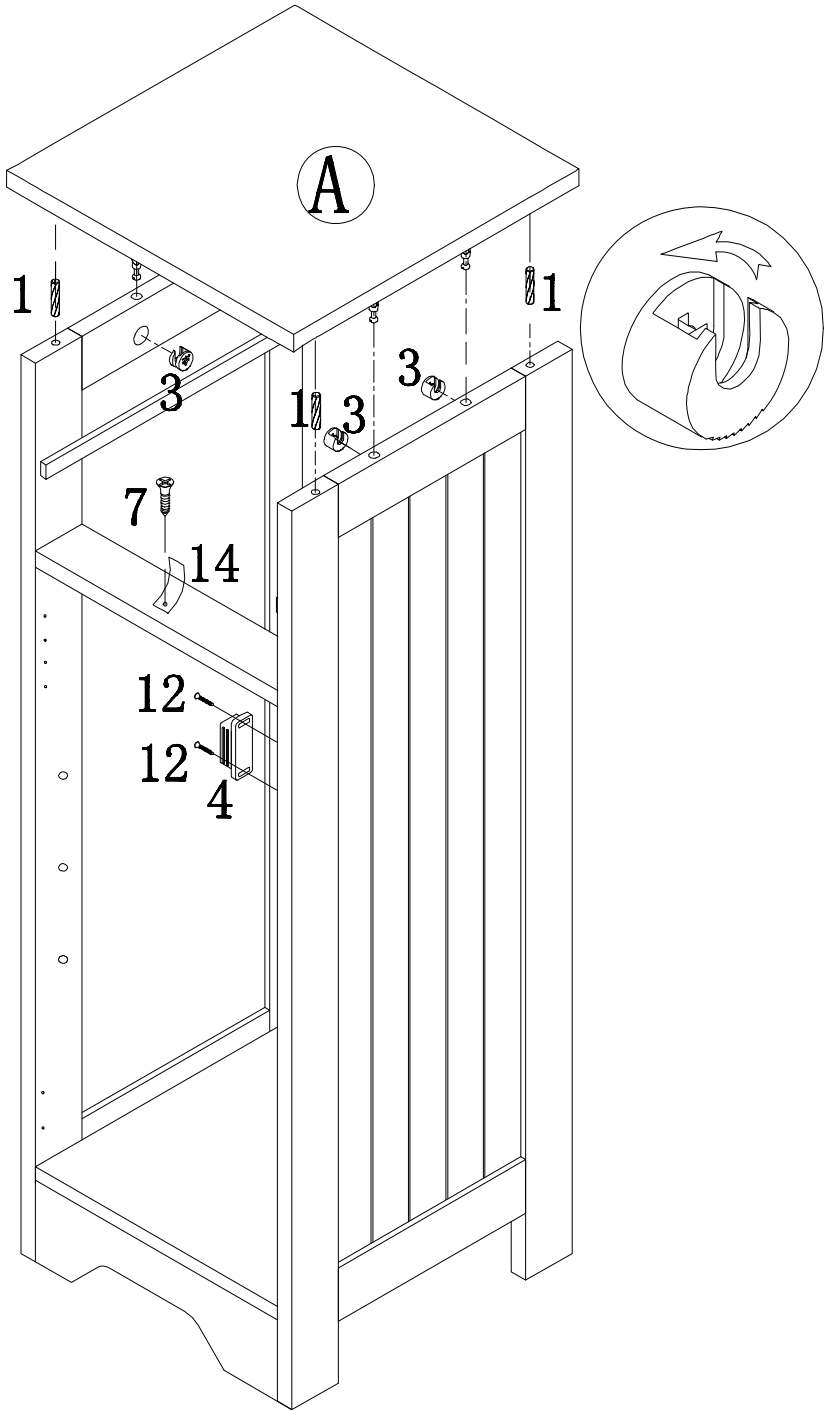
	1x 4pcs
	2x 2pcs
	3x 2pcs

Step 4



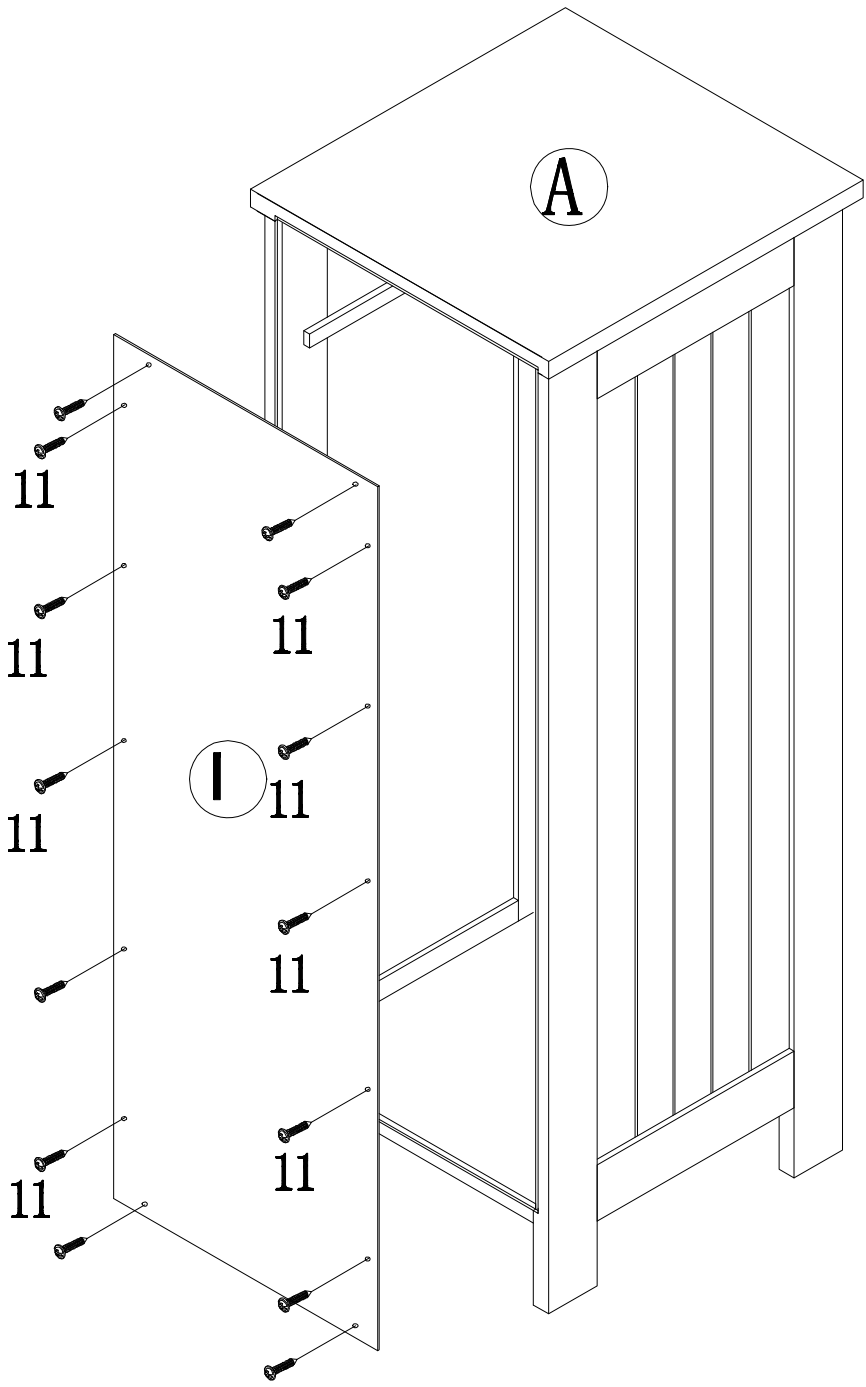
	1x 5pcs
	2x 3pcs
	3x 3pcs

Step 5



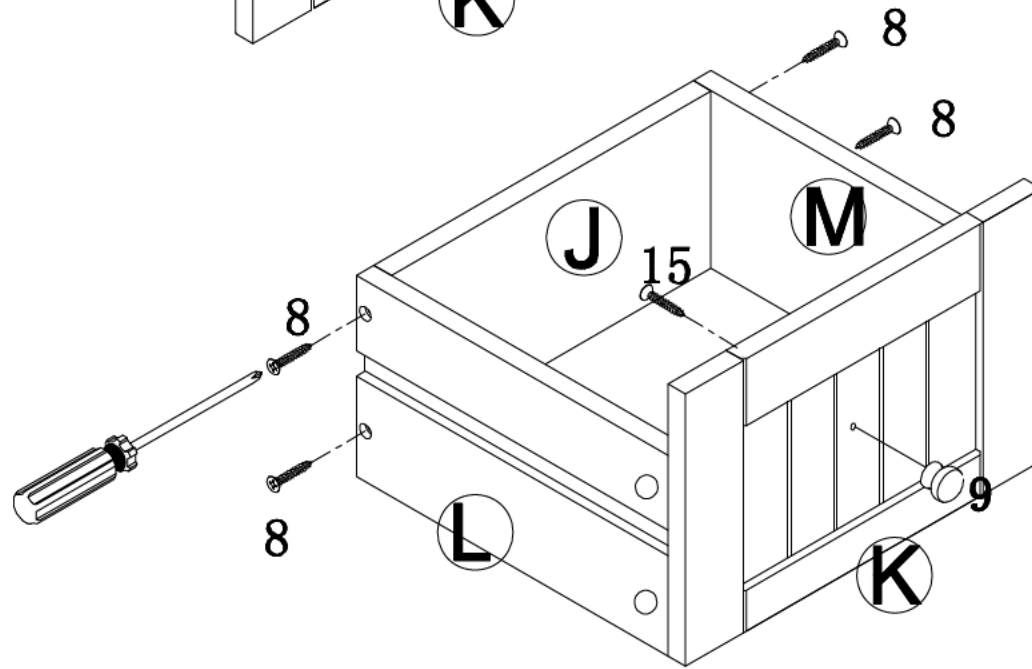
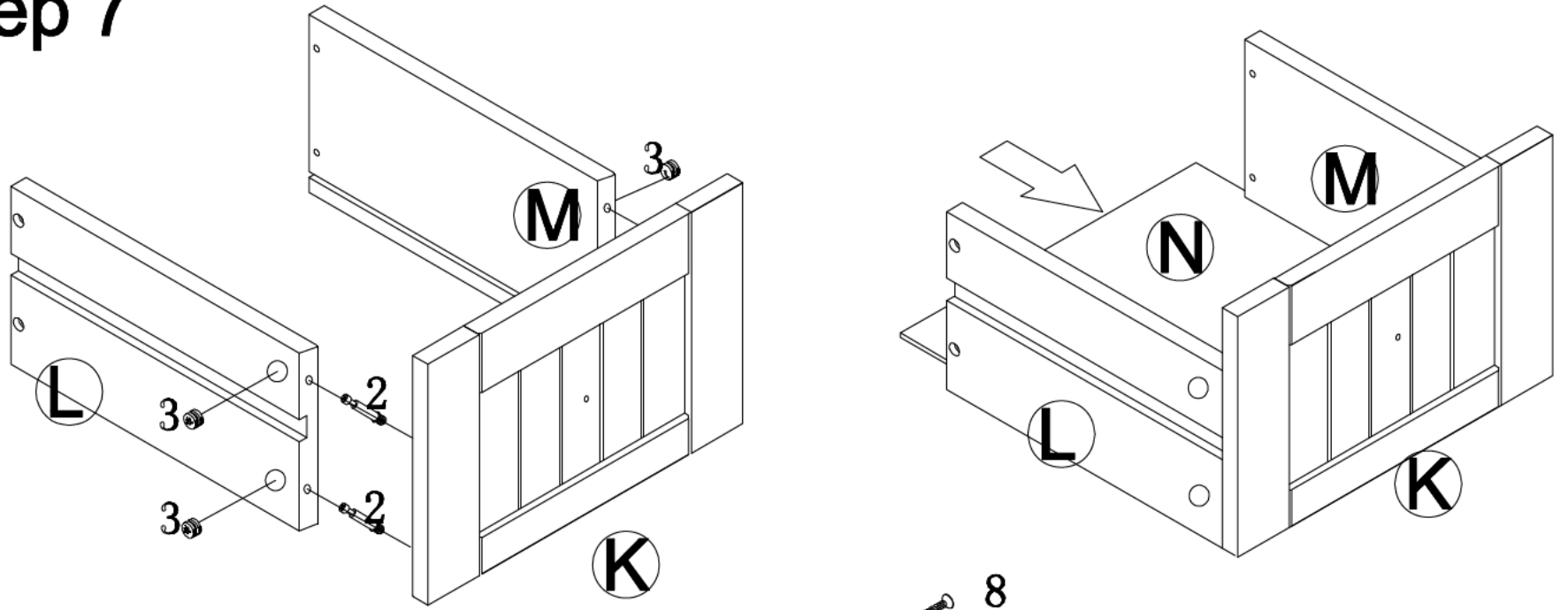
1x4pcs	14x1pc
3x4pcs	12x2pcs
7x1pc	4x1pc






Step 6



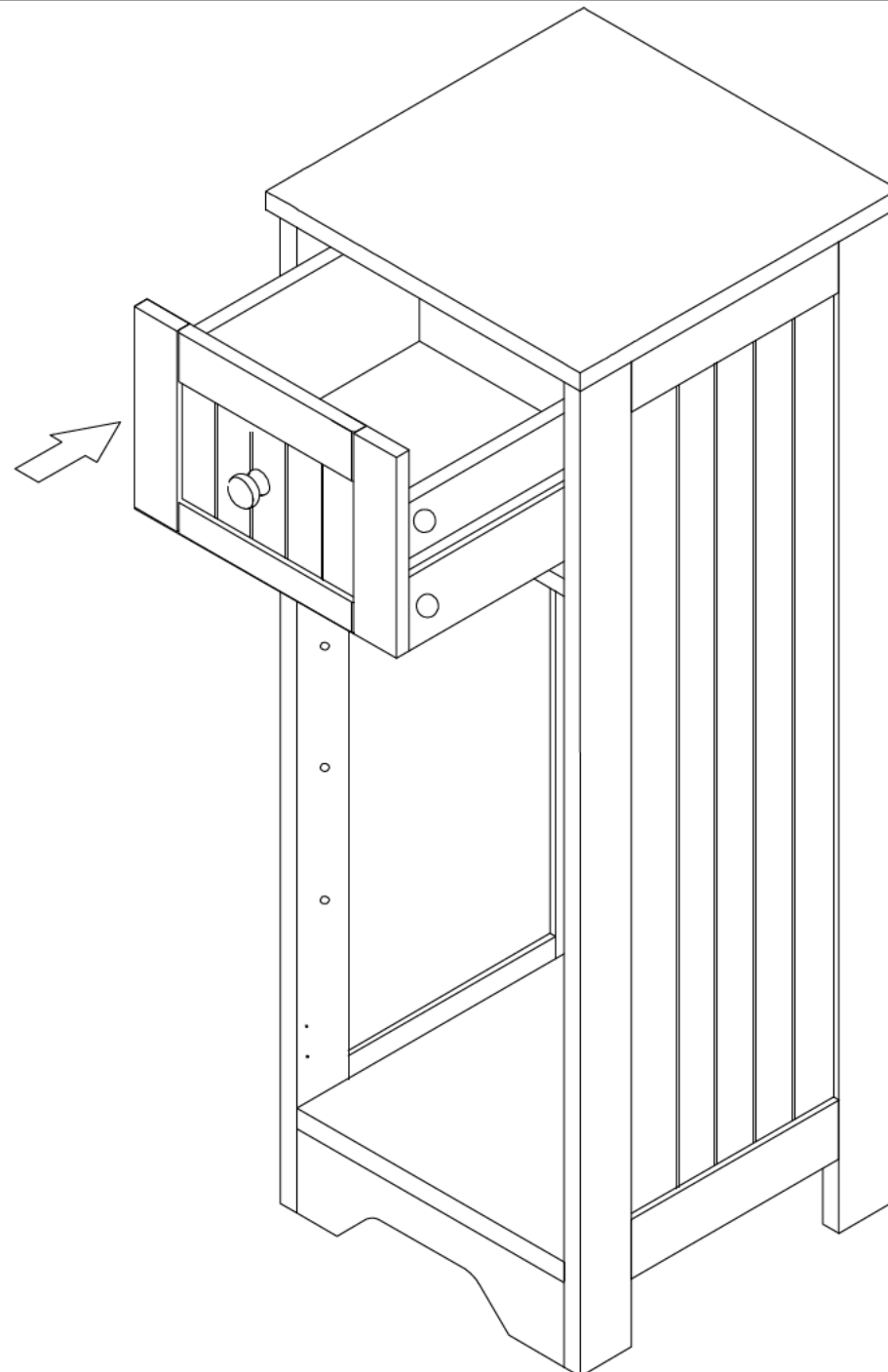
11x14pcs

Step 7

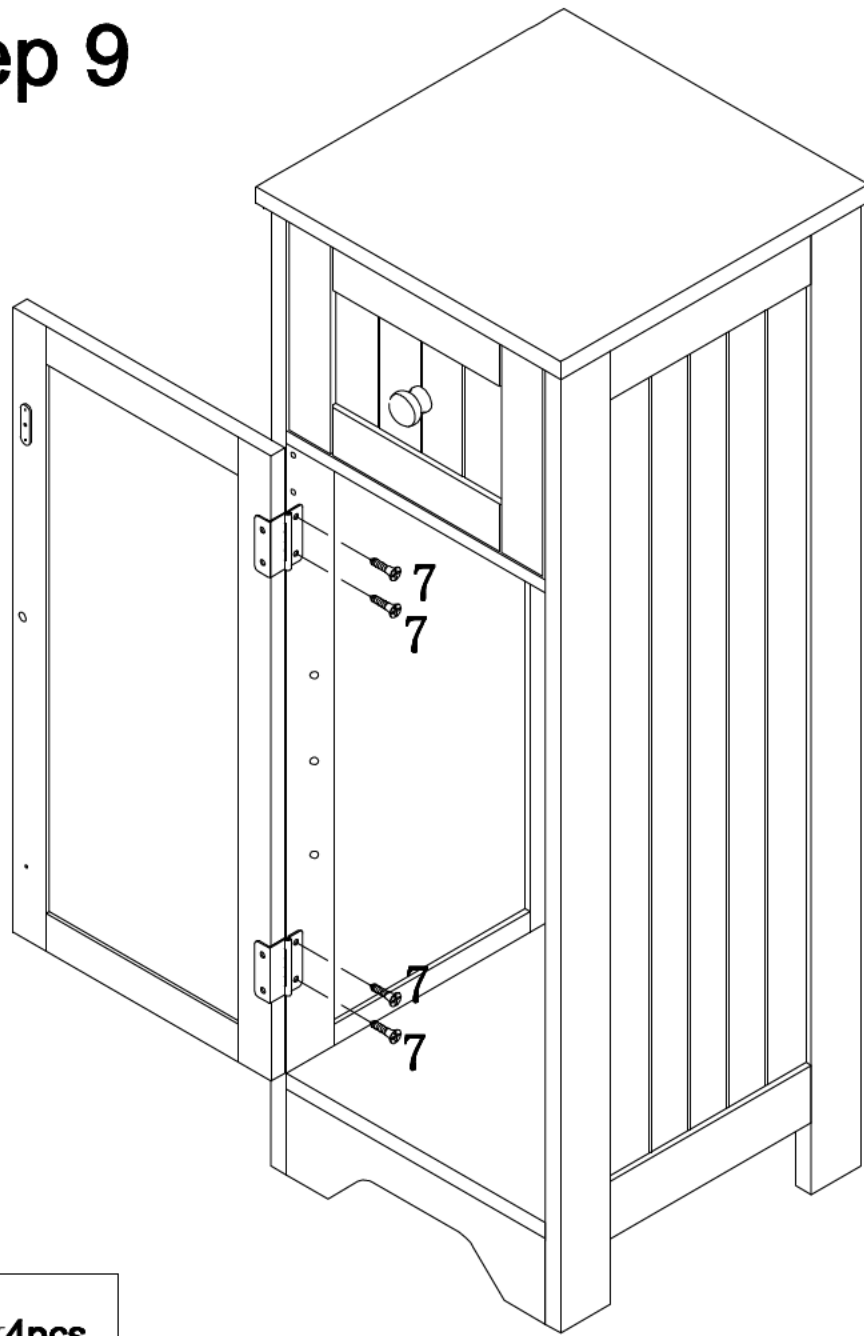


-  15 x 1 pc
-  2 x 4 pcs
-  3 x 4 pcs
-  9 x 1 pc
-  8 x 4 pcs


Step 8



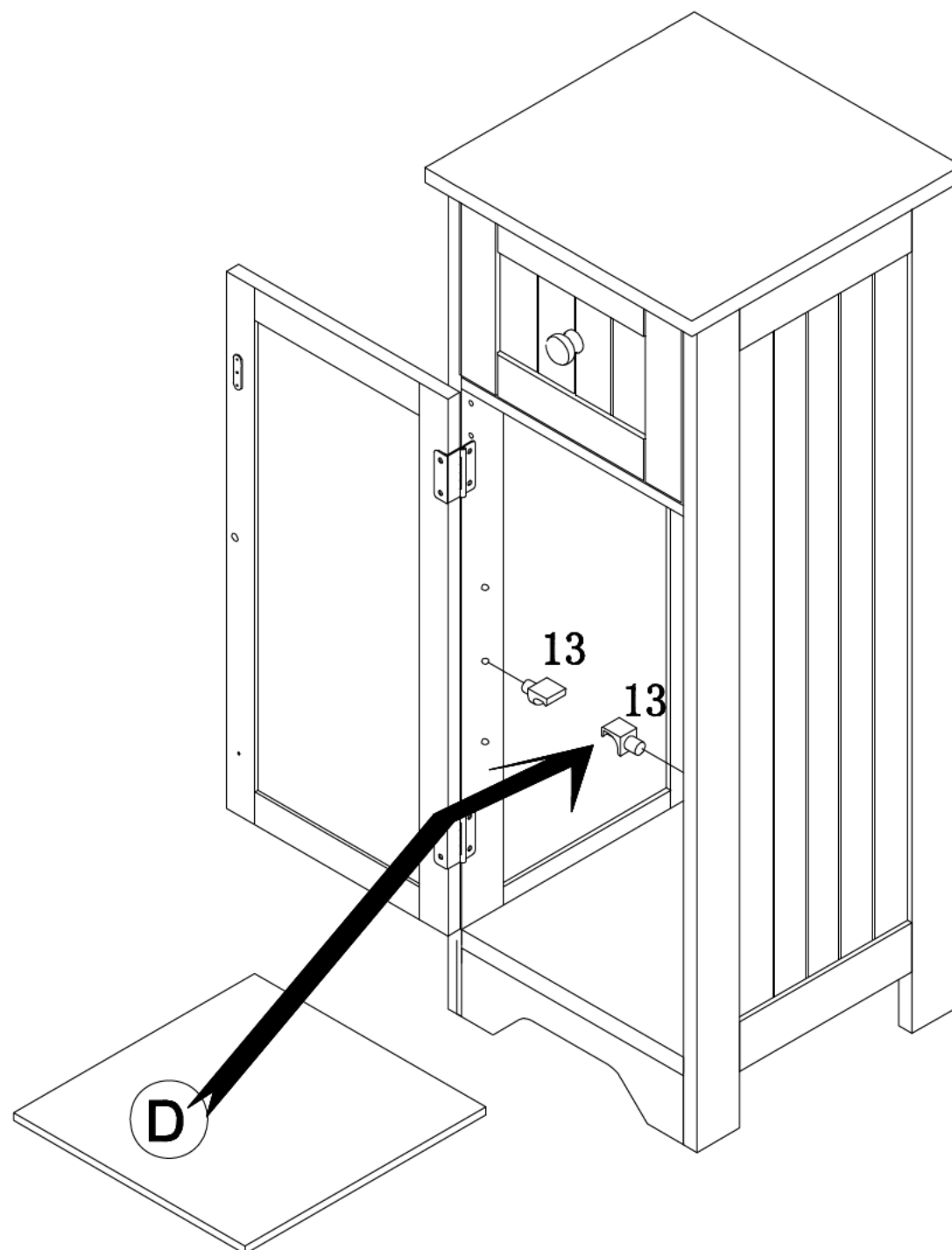
Step 9



The door is designed for both left and right openings. Pls assemble the door on your desired side.

 7x4pcs

Step 10



 13x4pcs