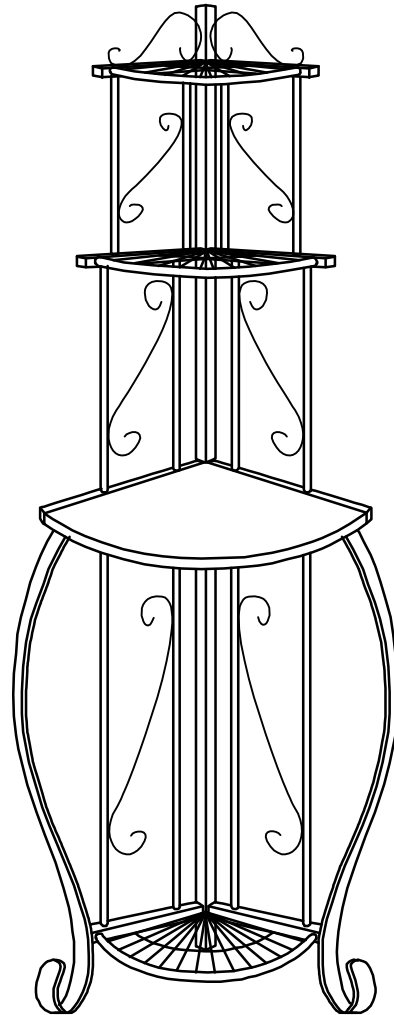


# ASSEMBLY INSTRUCTIONS

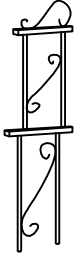







## Kitchen Rack



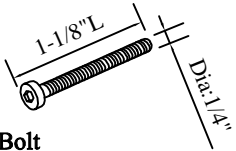
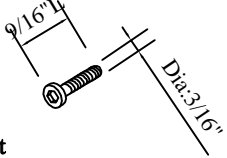
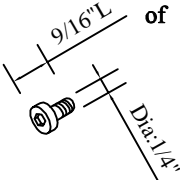
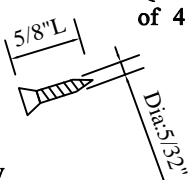

### NOTE TO CUSTOMERS:

- For ease and speed of assembly we recommend that before you commence each step of the assembly that you identify all the parts required to complete that step.
- We recommend that where possible you allow sufficient space to assemble the item as close as possible to the place where it will be once assembled.
- For the protection of your furniture we recommend that the product is placed on protected surfaces during assembly to prevent any damage.
- During assembly do not over tighten, as this may damage the product.
- Please ensure you retain all the product packaging until the item completely assembled.
- Please periodically check all fittings and re-tighten as necessary.
- It is recommended that this item should be assembled by two adults.

# Part List

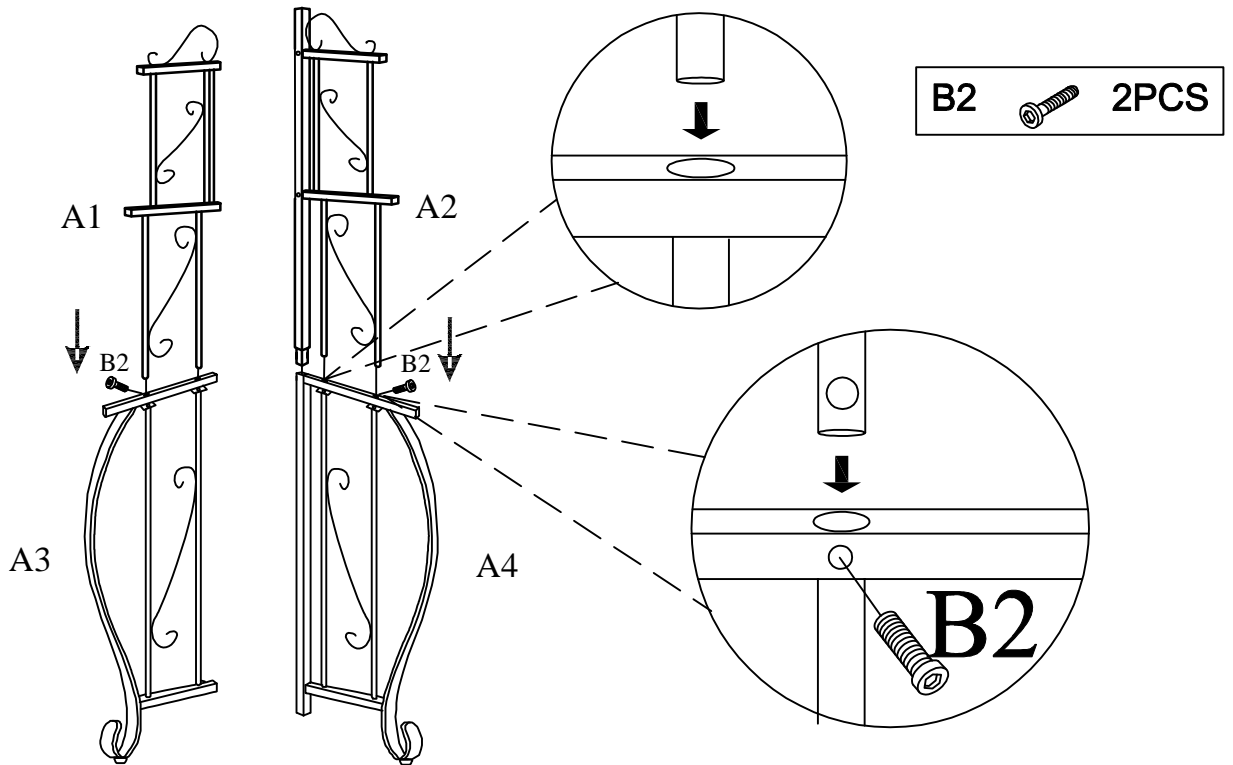
<p><b>A1</b></p>  <p style="text-align: right;">Quantity of 1</p>	<p><b>A2</b></p>  <p style="text-align: right;">Quantity of 1</p>	<p><b>A3</b></p>  <p style="text-align: right;">Quantity of 1</p>
Left Side Frame	Right Side Frame	Left Leg
<p><b>A4</b></p>  <p style="text-align: right;">Quantity of 1</p>	<p><b>A5</b></p>  <p style="text-align: right;">Quantity of 1</p>	<p><b>A6</b></p>  <p style="text-align: right;">Quantity of 1</p>
Right Leg	Bottom Net Rack	Middle Net Rack
<p><b>A7</b></p>  <p style="text-align: right;">Quantity of 1</p>	<p><b>A8</b></p>  <p style="text-align: right;">Quantity of 1</p>	
Top Net Rack	Center Panel	

# Hardware List

<p><b>B1</b></p>  <p style="text-align: right;">Quantity of 10</p>	<p><b>B2</b></p>  <p style="text-align: right;">Quantity of 2</p>	<p><b>B3</b></p>  <p style="text-align: right;">Quantity of 1</p>	<p><b>B4</b></p>  <p style="text-align: right;">Quantity of 4</p>
Bolt	Bolt	Bolt	Screw
			
Allen Wrench			

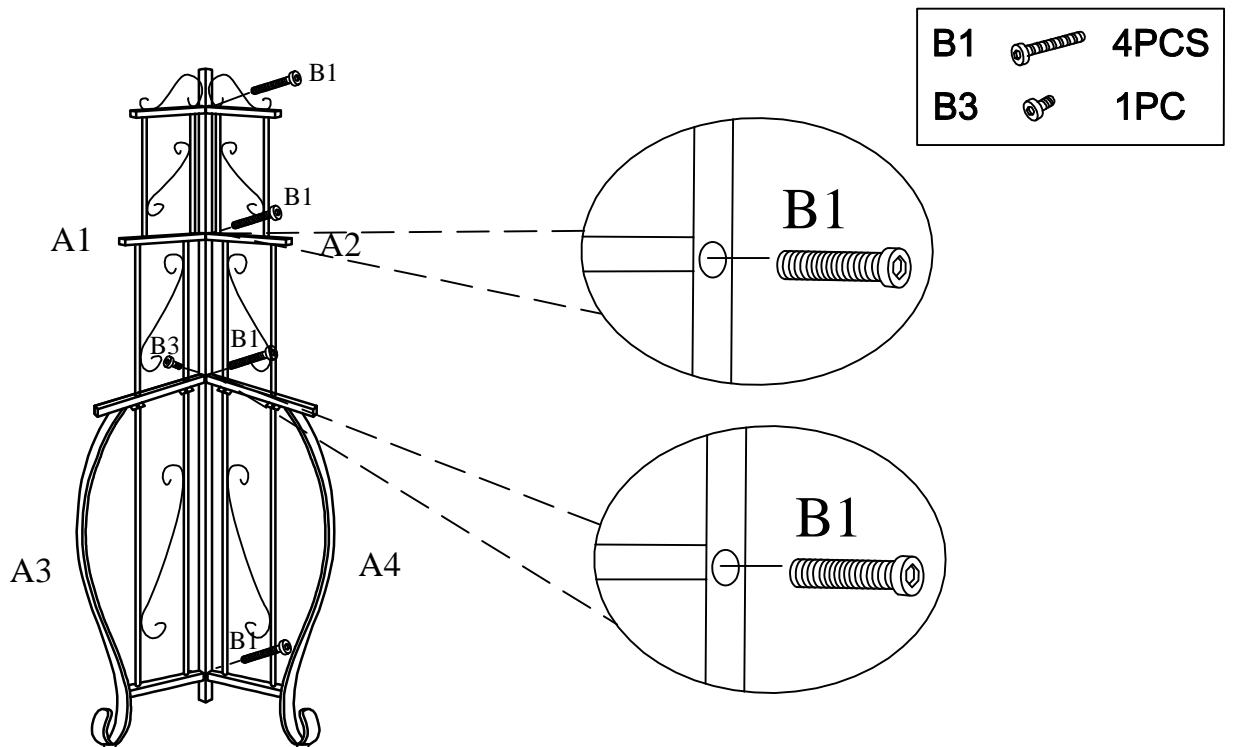
# Assembly instruction

## Step 1



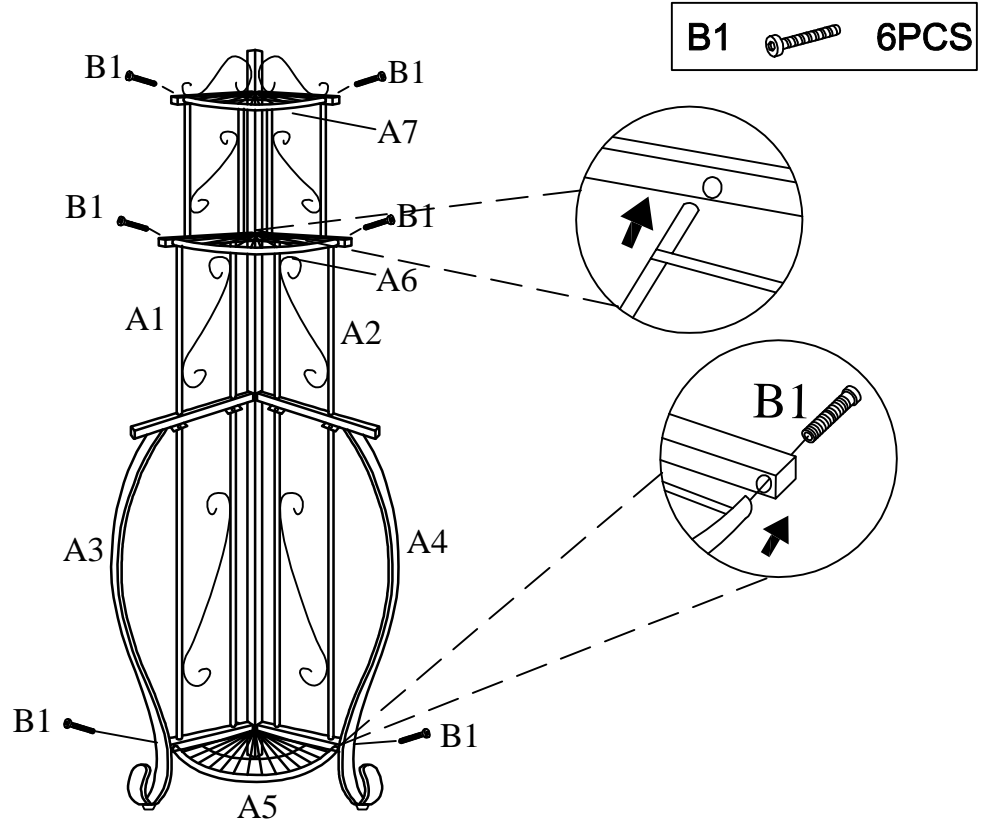
Insert Side Frames A1&A2 to the holes on Legs A3&A4, then tighten them using Bolts B2 as shown above. Please do not tighten Bolts B2 until Step 4.

## Step 2



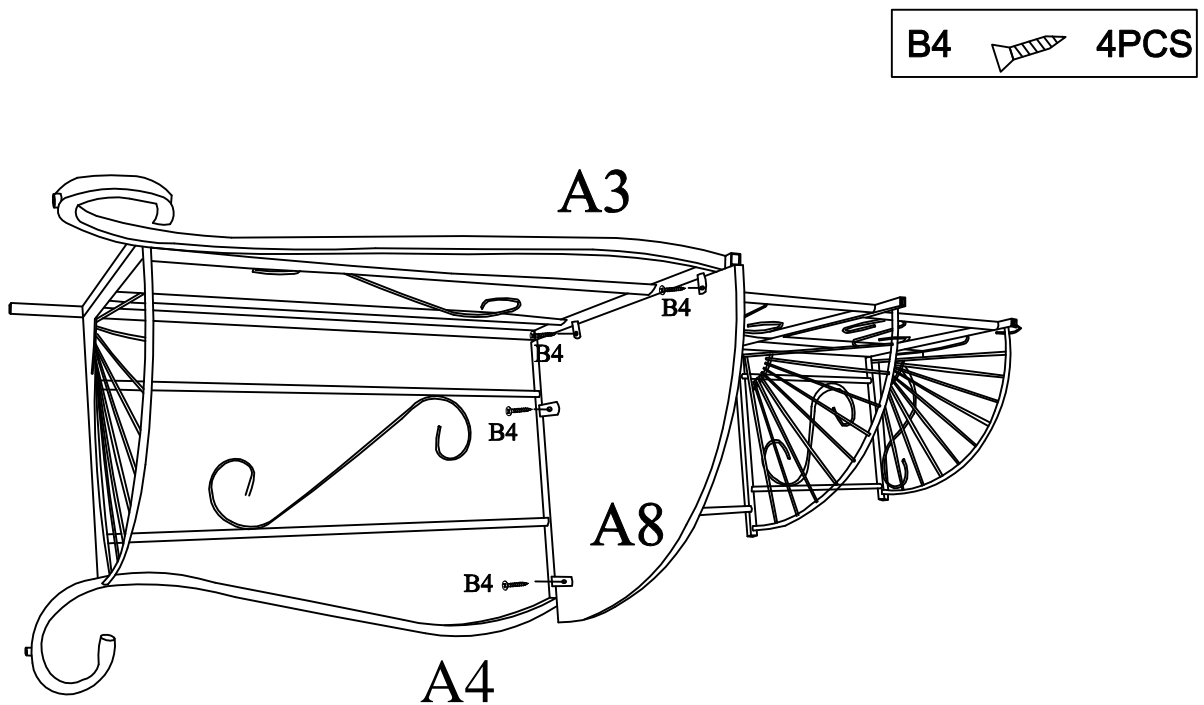
Assemble Left Side Frame A1 and Left Leg A3 to Right Side Frame A2 and Right Leg A4 using Bolts B1&B3. Please do not tighten Bolts B1 & B3 until Step 4.

### Step 3



- 1). Assemble Top Net Rack A7 and Middle Net Rack A6 to Side Frames A1 & A2 using Bolts B1.
  - 2). Assemble Bottom Net Rack A5 to Legs A3 & A4 using Bolts B1.
- Please do not tighten Bolts B1 until Step 4.

### Step 4



Assemble Center Panel A8 to Legs A3 & A4 using Screws B4. Please tighten all Bolts B1 & B2 & B3 at this point.