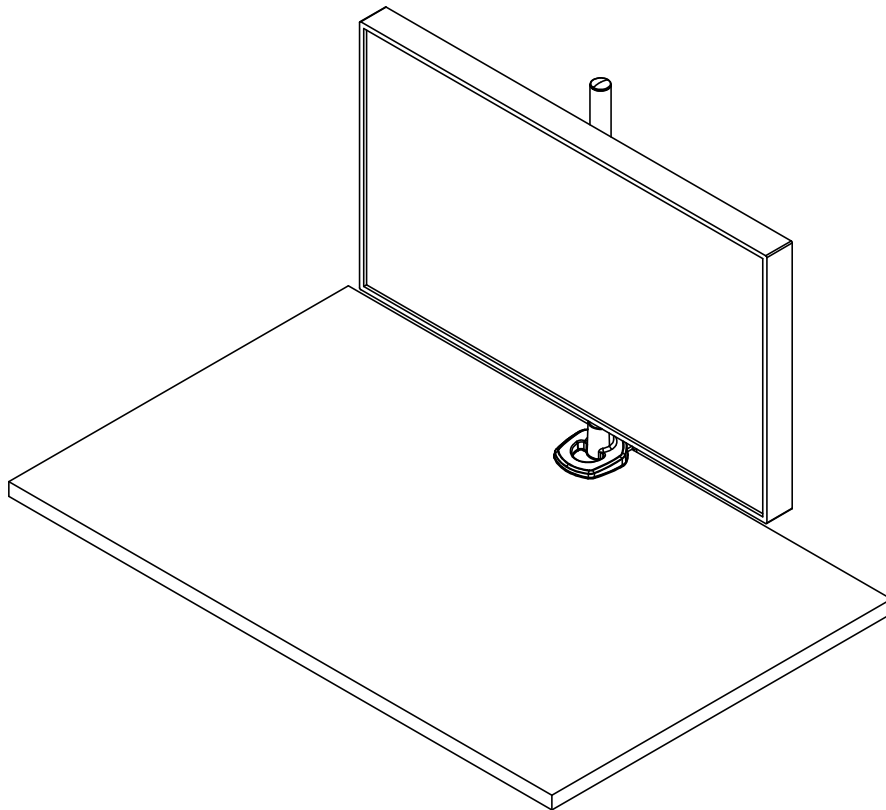




K&A Manufacturing  
6703 Zinser Street  
Schofield, WI 54476  
Phone: 800.298.4351  
Fax: 866.882.9475  
www.raproducts.com  
Version Dated:10/31/18

## HSTVMT Monitor/TV Hover Mount Assembly Instructions

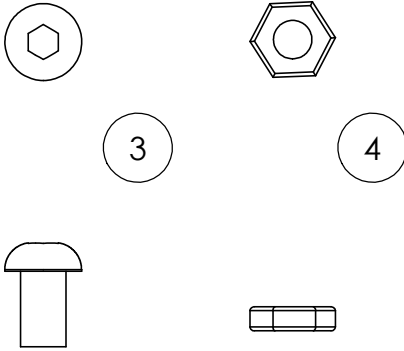


Read all the instructions before beginning.



K&A Manufacturing  
 6703 Zinser Street Schofield, WI 54476  
 Phone: 800.298.4351  
 Fax: 866.882.9475  
 www.raproducts.com

**Tools Required for Assembly:**  
 Power Driver W/Adjustable Torque  
 5/32" Hex Head Driver Bit or  
 Allen Wrench  
 10mm Wrench or Socket



52721

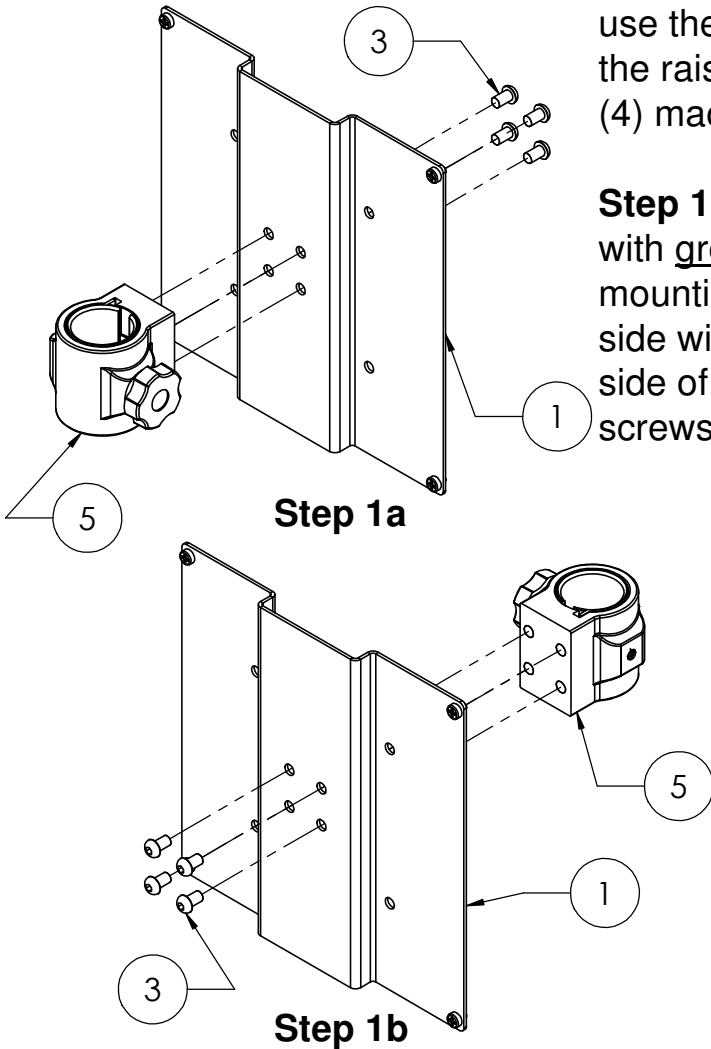
53252

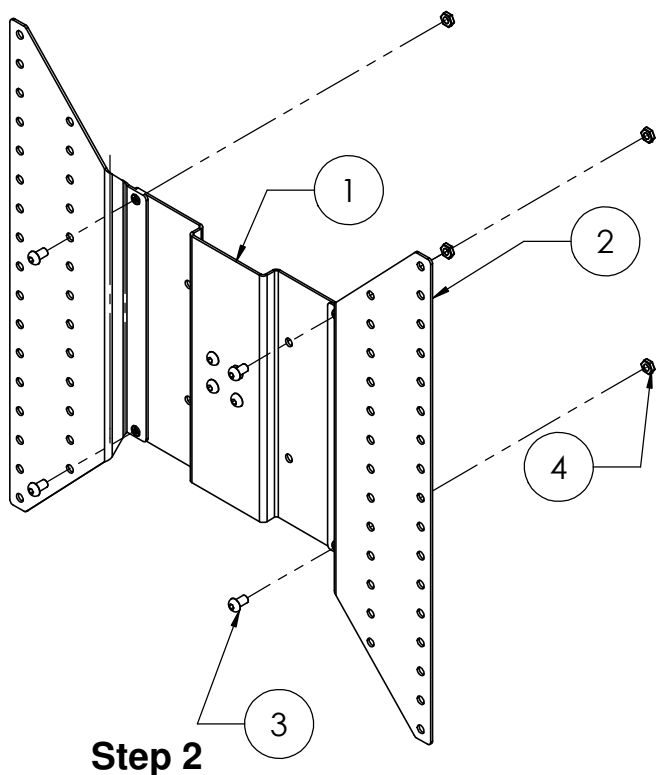
**Hardware Pack# 53577  
 Is Drawn Actual Size**

ITEM #	PART #	DESCRIPTION	QTY.
1	801507	Monitor/TV Hover Mounting Plate	1
2	801508	Monitor/TV Hover Side Wing	2
3	52721	M6-1.0x8mm Truss Head Machine Screw	8
4	53252	M6-1 Hex Jam Nut 3mm Thick	4
5	801510	Monitor/TV Hover Mount Pole Joint	1
6	52743	Hover 27.6" Pole	1

**Step 1a:** If you are mounting a small TV or monitor with 100mm or 200mm distance between the mounting holes, use Step 1a. This setup will not use the side wings **2**. Attach the pole joint **5** to the raised side of the mounting plate **1** using (4) machine screws **3**. Fully tighten.

**Step 1b:** If you are mounting a large TV or monitor with greater than 200mm distance between the mounting holes, use Step 1b. This setup will use the side wings **2**. Attach the pole joint **5** to the recessed side of the mounting plate **1** using (4) machine screws **3**. Fully tighten



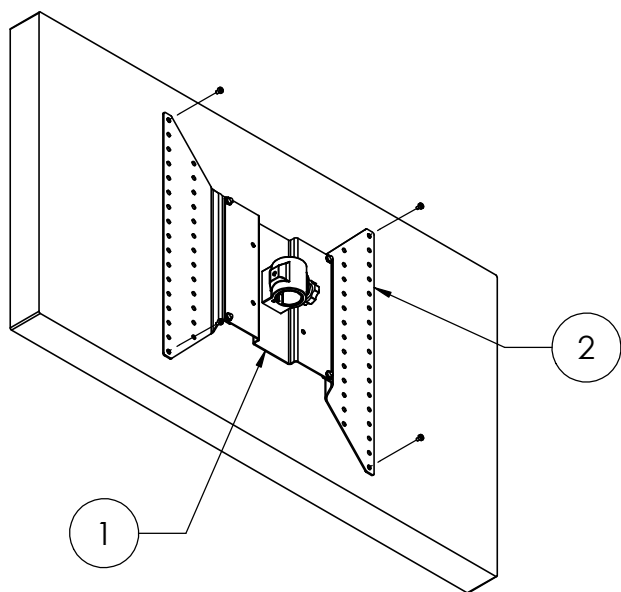


**Step 2**

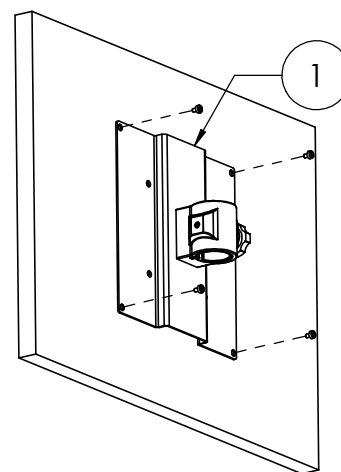
**Step 2:** Do this step only if you have a large TV or monitor with greater than 200mm between the mounting holes. Insert (4) machine screws **3** through the holes in the narrow flange of the side wings **2** and the outermost holes in the mounting plate **1**. Thread (4) nuts **4** onto the screws and fully tighten.

**Step 3a:** Place your monitor on a protected surface face down. Attach the mounting plate assembly to your monitor or small TV using (4) machine screws (not included) through the inner holes that are 100mm apart in the mounting plate **1**. Fully tighten.

**Step 3b:** Place your TV or large monitor on a protected surface face down. Attach the side wings **2** to the back of your TV or large monitor using either the holes that are 200mm or 400mm apart. Use (4) machine screws (not included). Fully tighten.



**Step 3b**



**Step 3a**

**Step 4:** Attach the pole **6** to the worksurface using the instructions that came with it.

**Step 5:** With the help of an assistant, place the mounting assembly's pole joint **5** onto the pole **6**. Set it at the height desired and tighten the clamp on the pole joint. This step is the same whether or not the side wings **2** are used.

