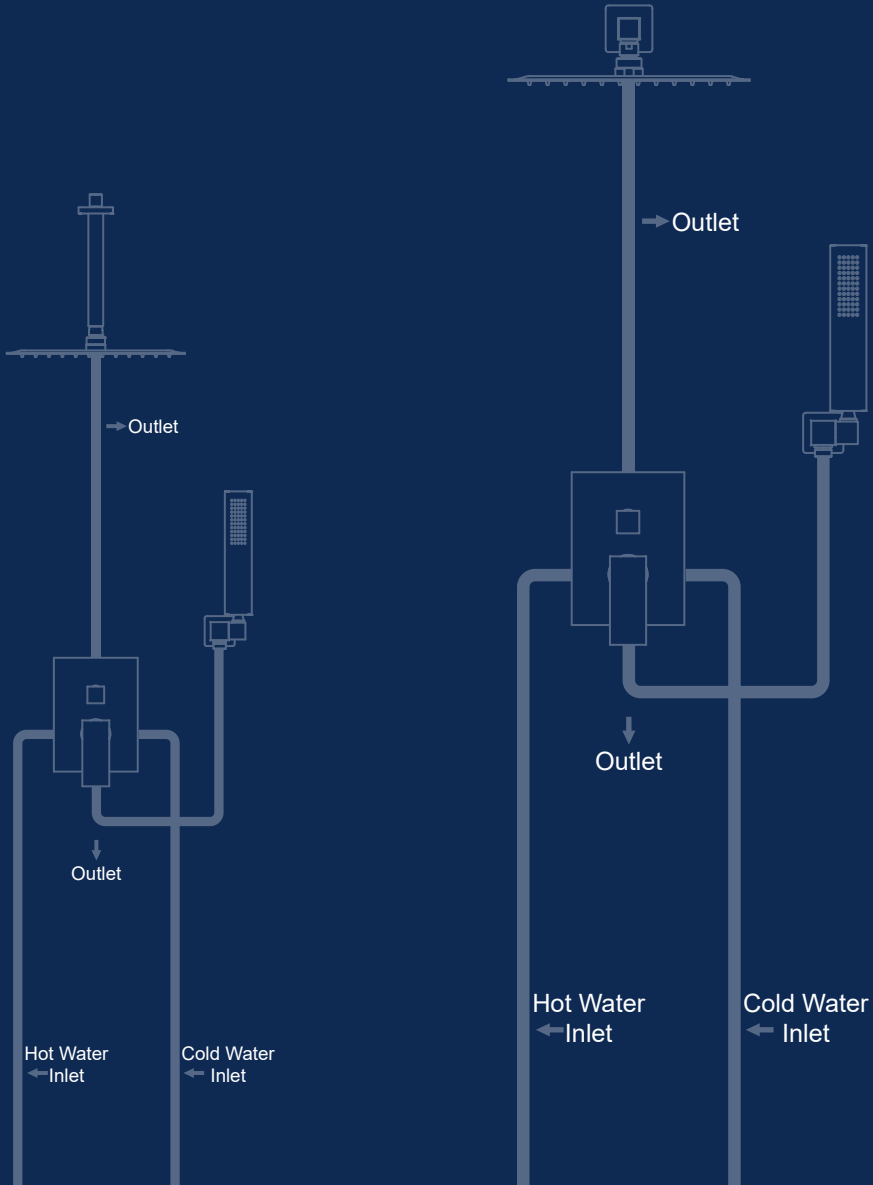


Installation Manual

2-Way Wall Mounted Shower System



1. INSTALLATION PRECAUTIONS

1. When you open the product packaging, please check the product and accessories at first. If there is any discrepancy, please contact the company or our distributor immediately.
2. The hot and cold water supply pipe of the faucet must be properly connected. When facing the front of the faucet, the hot water supply is on the left and cold water supply is on the right. Incorrect connection will cause permanent damage to the cartridge.
3. If the accessories to be changed without affecting the use, we will not make a prior notice.
4. The impurities in the water supply pipe must be cleared before installation to avoid blockage.
5. The water pressure of the faucet is 0.05MPa -1.0MPa (including cold water and hot water pressure)
Applicable water temperature range: 39°F- 194°F

2. PREPARATION BEFORE INSTALLATION

1. Please read the installation manual carefully before installation.
2. Installation work must be performed by a professional installer.
3. Installation tool :



Electric drill



Pencil



Screw drivers



Tape measure



Spirit level with horizontal and vertical indicators



Split ring pliers



Knife



Wrench



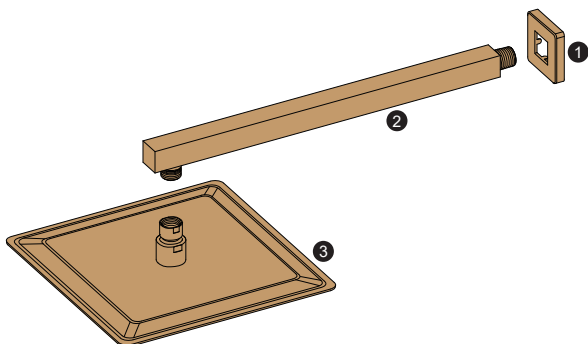
Sealant Tape



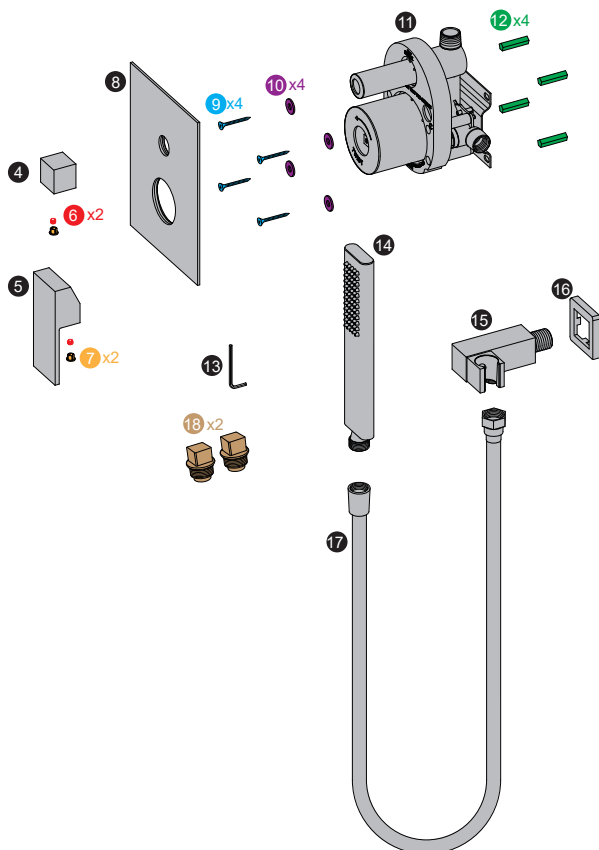
Hammer

TWO FUNCTION CONCEALED FAUCET ACCESSORIES LIST

Wall mounted shower system

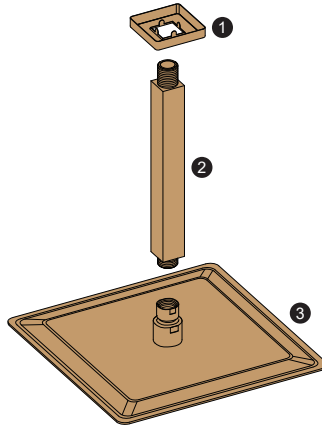


NO.	Name	Quantity
1	Cover	1pcs
2	Shower arm	1pcs
3	Shower head	1pcs
4	Knob	1pcs
5	Handle	1pcs
6	Hexagon screw	2pcs
7	Handle button	2pcs
8	Faceplate	1pcs
9	Screws	4pcs
10	Metal washer	4pcs
11	Shower valve body	1pcs
12	Plastic screw sleeve	4pcs
13	Allen Key	1pcs
14	Hand shower	1pcs
15	Shower holder	1pcs
16	Cover	1pcs
17	Shower hose	1pcs
18	Plastic stopper	2pcs

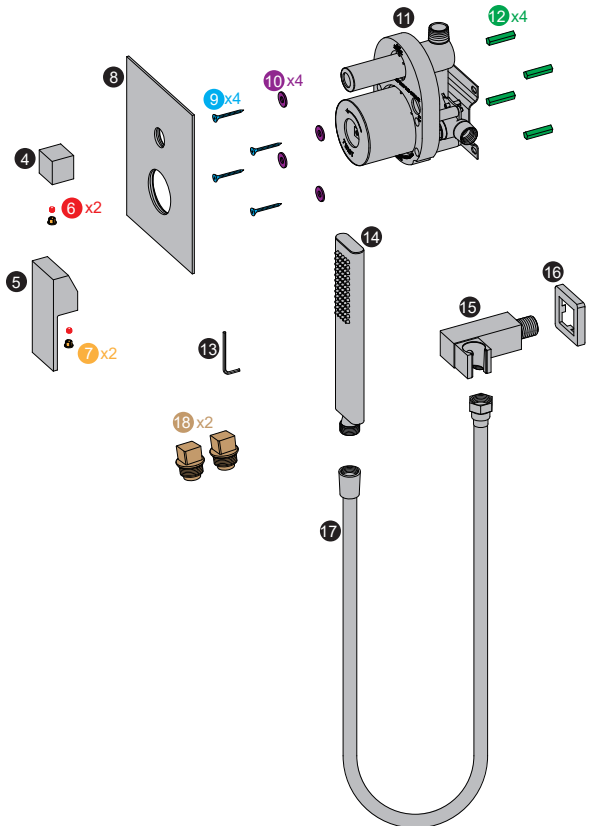


TWO FUNCTION CONCEALED FAUCET ACCESSORIES LIST

Ceiling mounted shower system

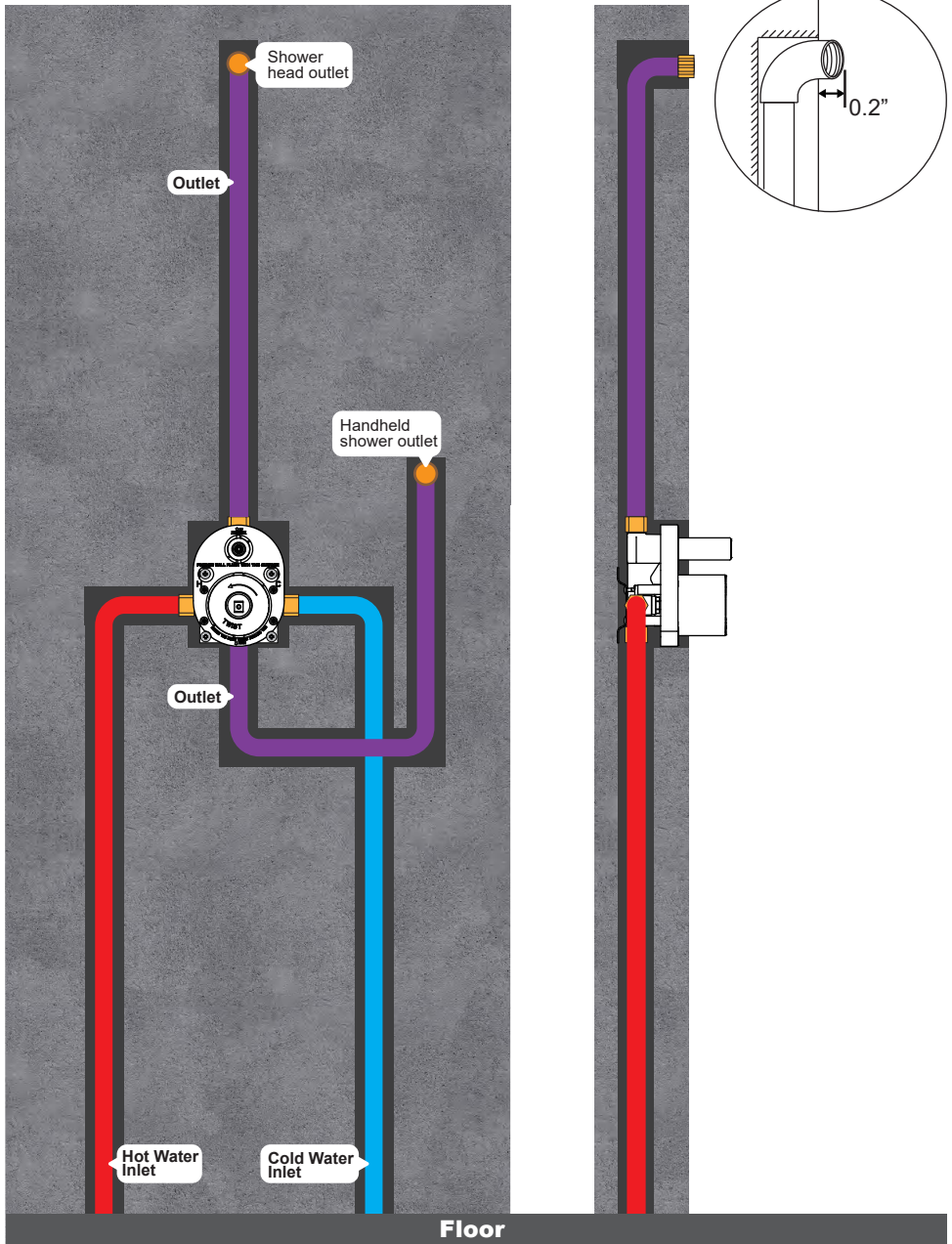


NO.	Name	Quantity
1	Cover	1pcs
2	Shower arm	1pcs
3	Shower head	1pcs
4	Knob	1pcs
5	Handle	1pcs
6	Hexagon screw	2pcs
7	Handle button	2pcs
8	Faceplate	1pcs
9	Screws	4pcs
10	Metal washer	4pcs
11	Shower valve body	1pcs
12	Plastic screw sleeve	4pcs
13	Allen Key	1pcs
14	Hand shower	1pcs
15	Shower holder	1pcs
16	Cover	1pcs
17	Shower hose	1pcs
18	Plastic stopper	2pcs

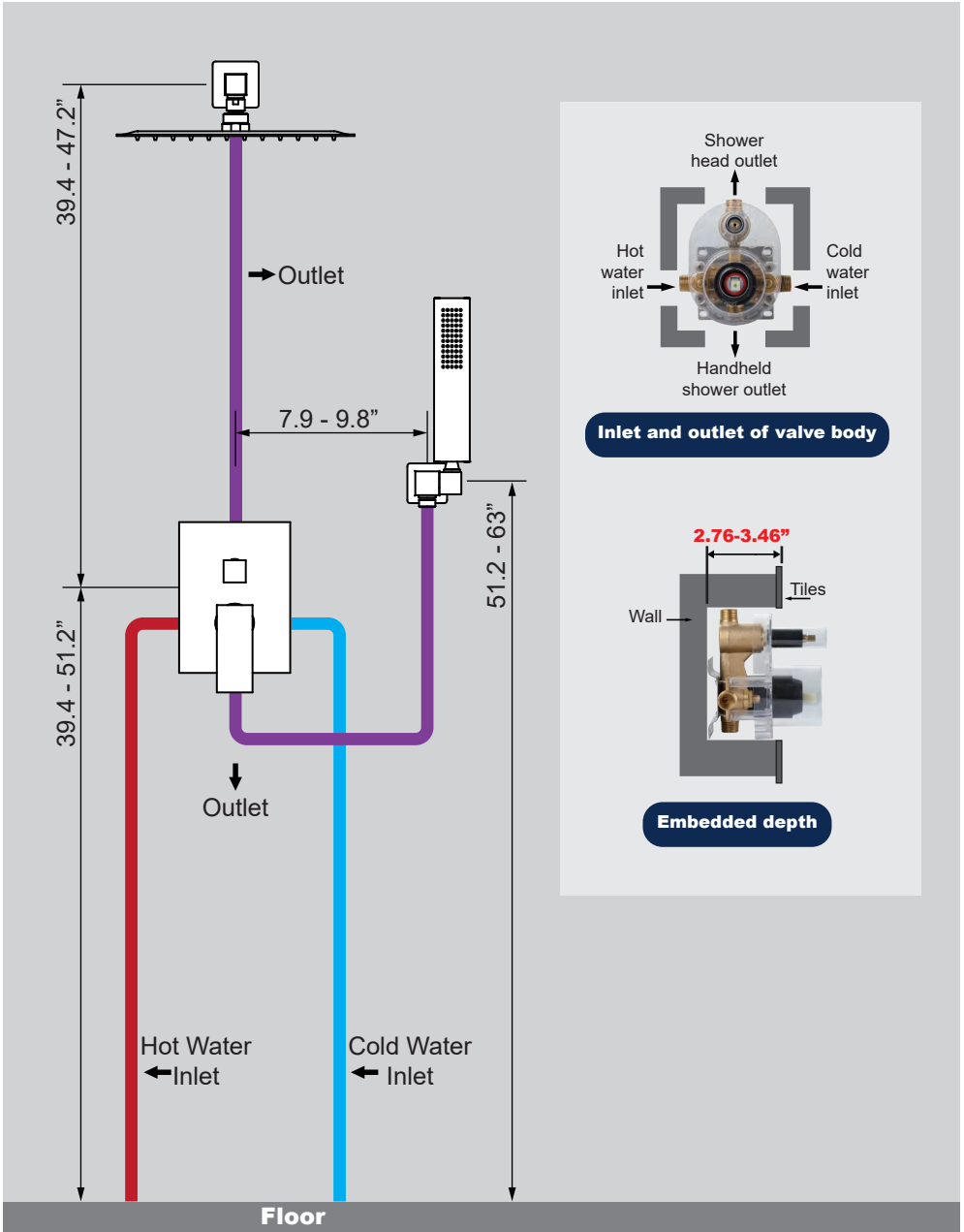


PIPE CONNECTION

Wall mounted shower system

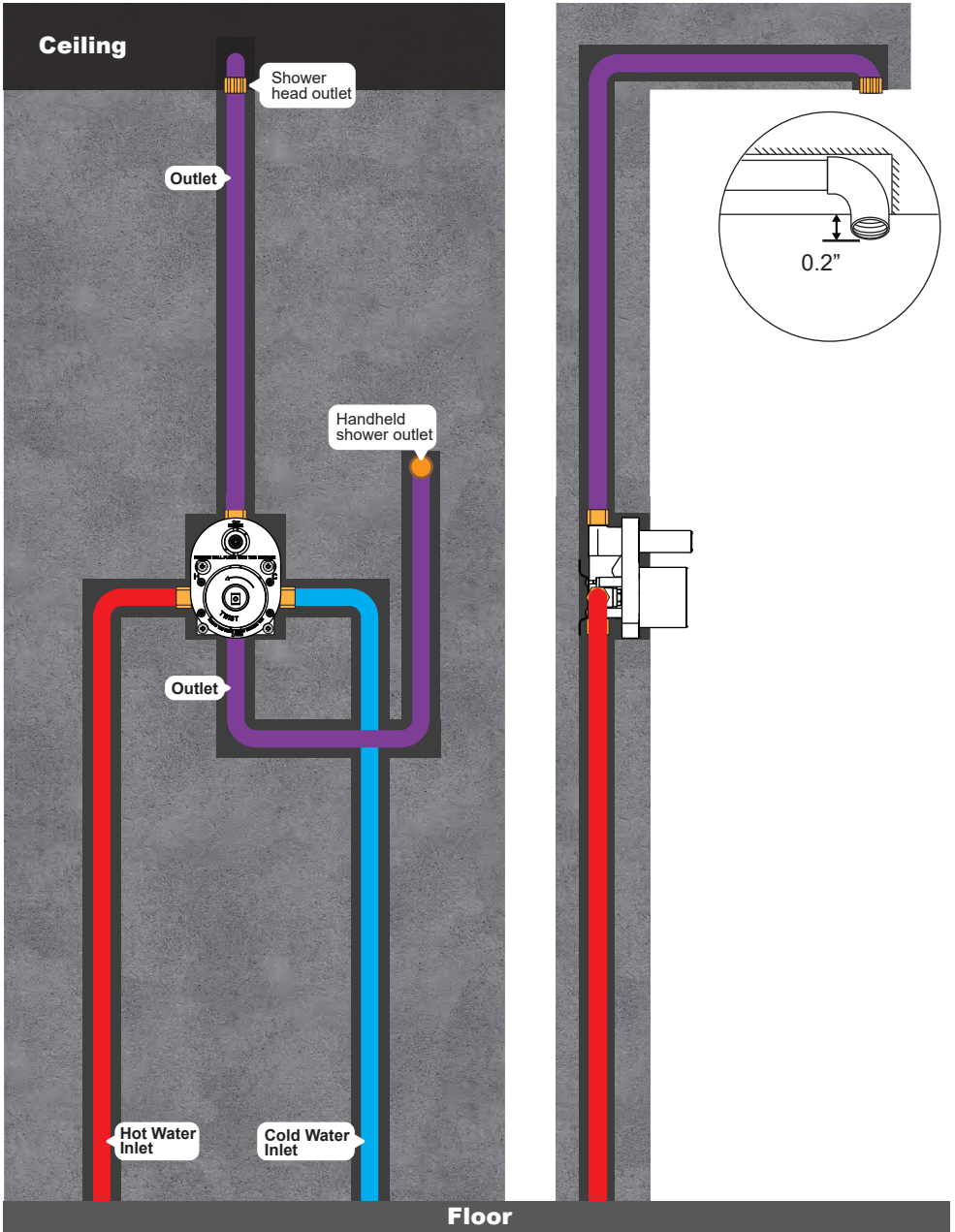


RECOMMENDED DISTANCE FOR INSTALLATION.

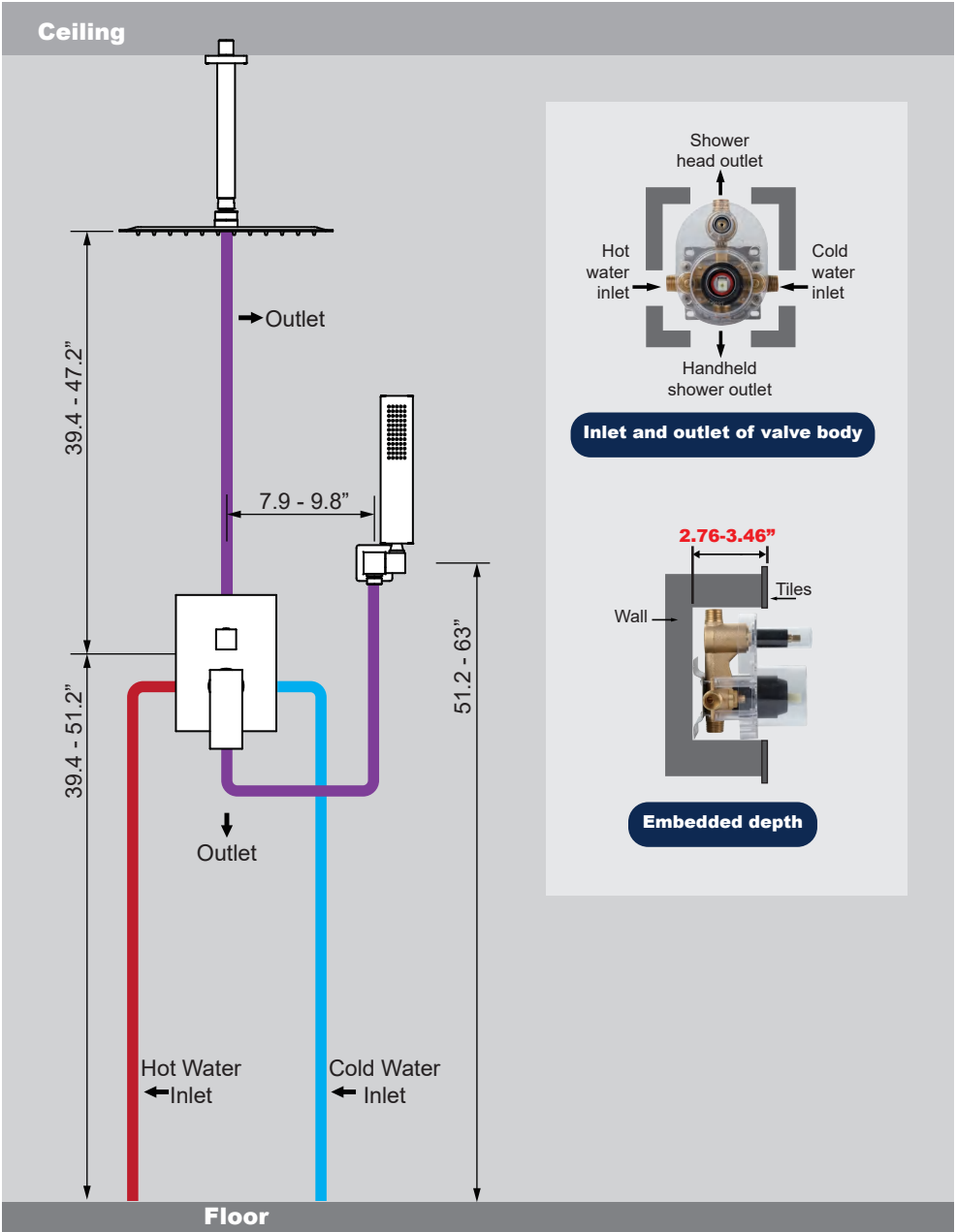


PIPE CONNECTION

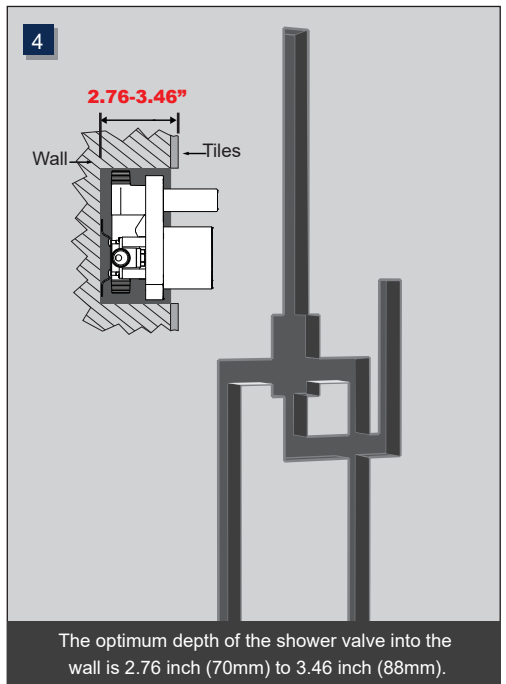
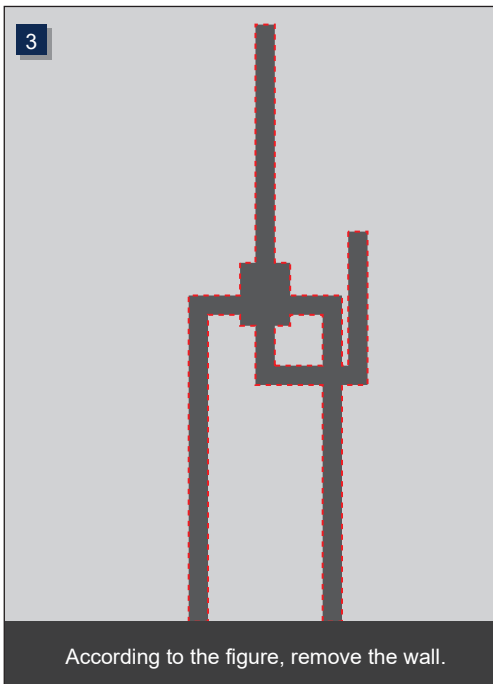
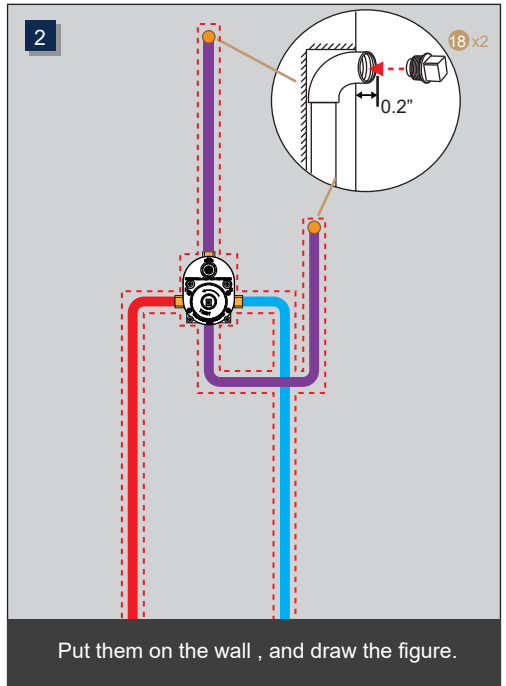
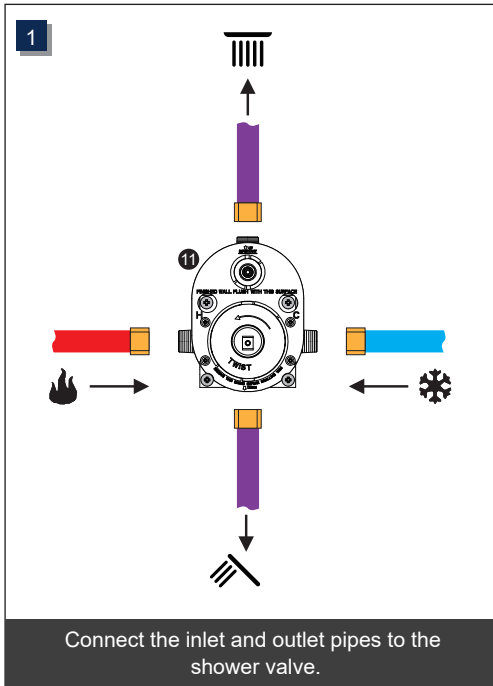
Ceiling mounted shower system



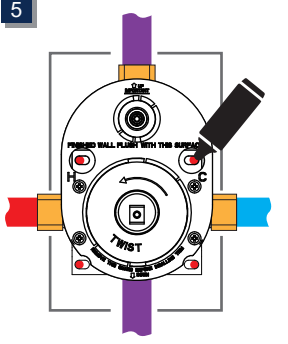
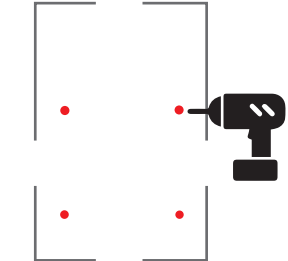
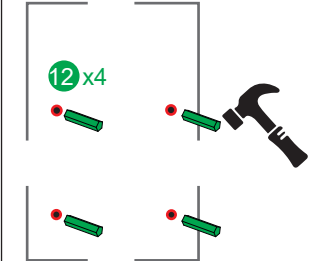
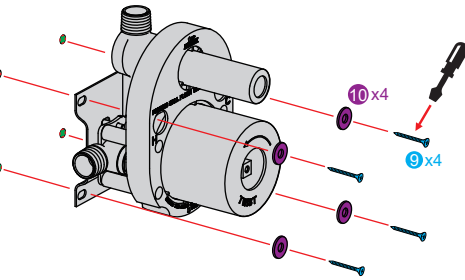
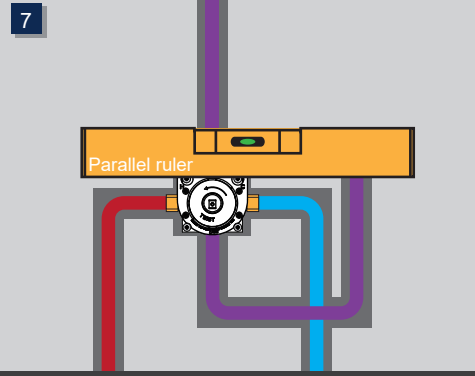
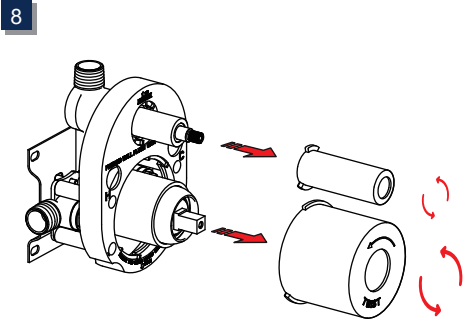
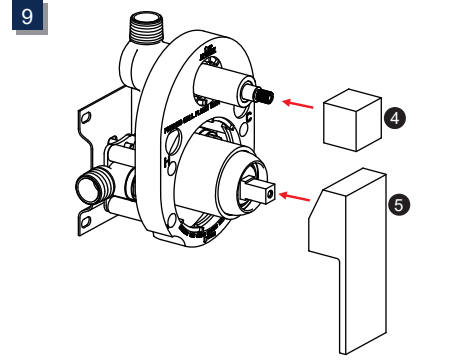
RECOMMENDED DISTANCE FOR INSTALLATION.



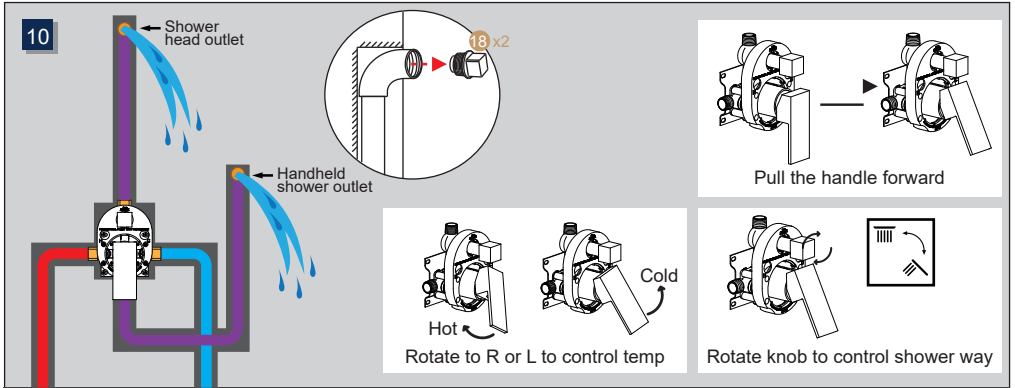
Installation Process



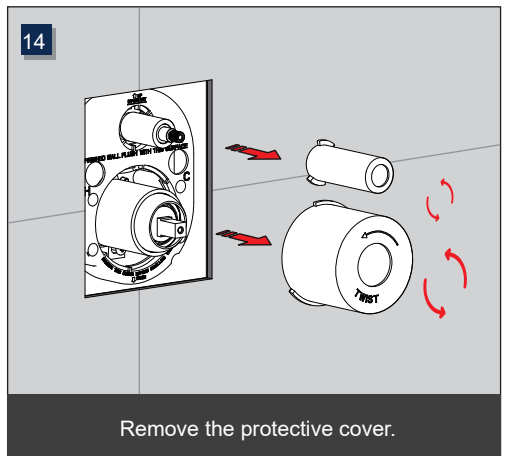
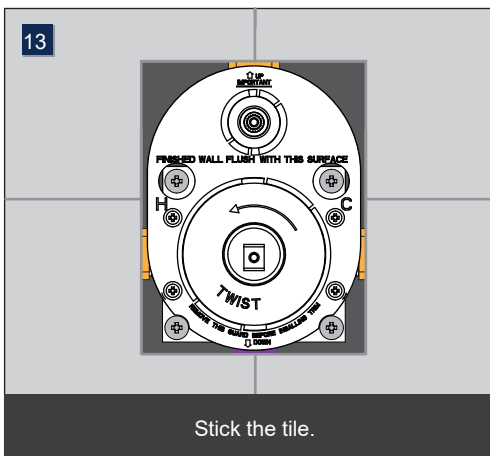
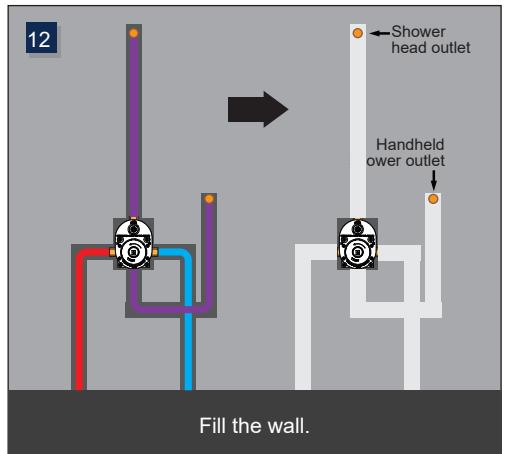
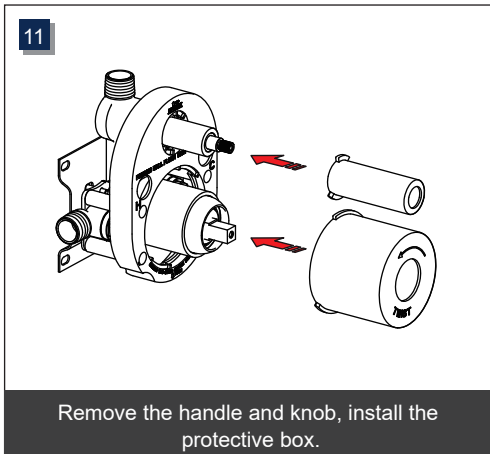
Installation Process

<p>5</p>  <p>Make the marking on the 4 corners of shower valve.</p>	 <p>Drill the hole.</p>	 <p>Install the 4 screw sleeves into wall.</p>
<p>6</p>  <p>Fix the shower valve with screws.</p>	<p>7</p>  <p>Use a parallel ruler to ensure the angle between vertical wall and valve is close to 90 degree.</p>	
<p>8</p>  <p>Remove the protective cover.</p>	<p>9</p>  <p>Install the handle and knob.</p>	

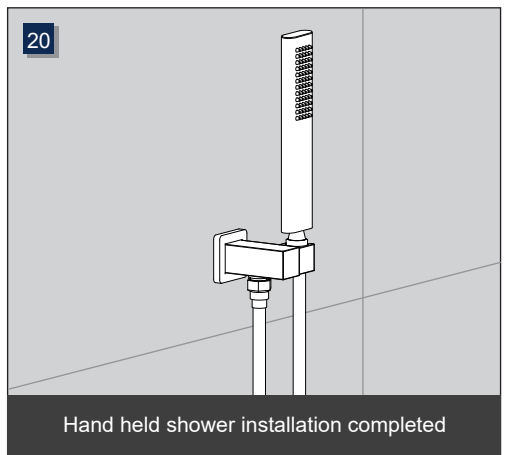
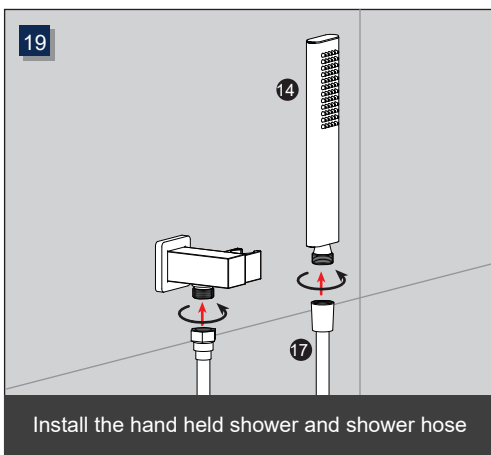
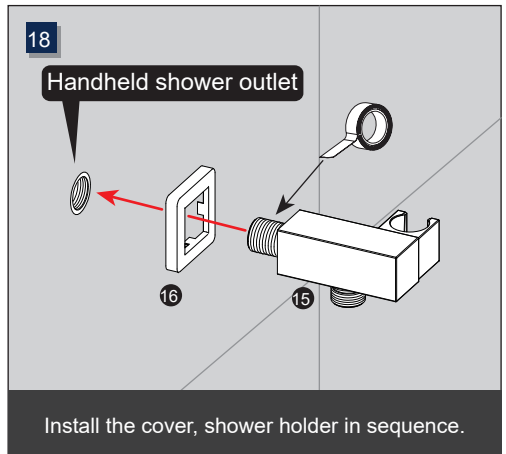
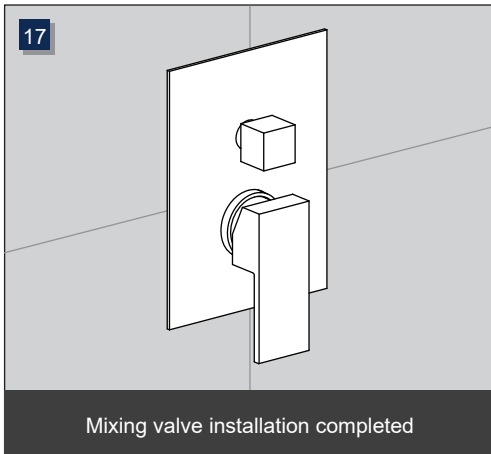
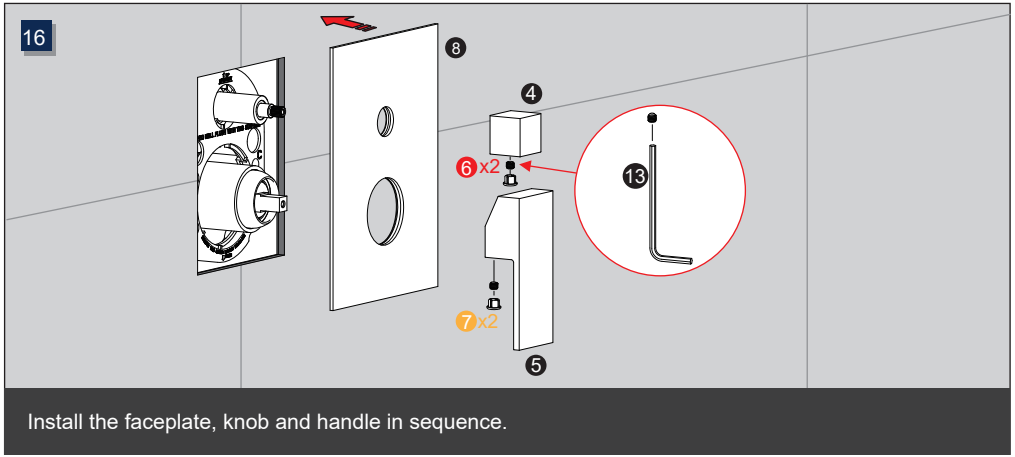
Installation Process



Remove the two stoppers, operate the handle and knob to test if the water pressure is appropriate. Plug all stoppers after test.

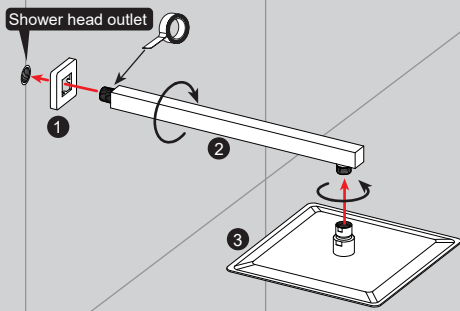


Installation Process



Installation Process

21 Wall mounted shower system



Shower head outlet

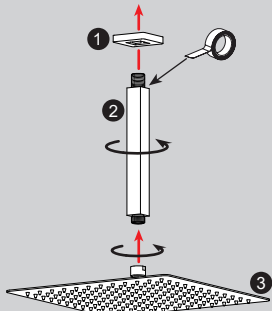
1

2

3

Install the cover, shower arm and shower head in sequence.

23 Ceiling mounted shower system



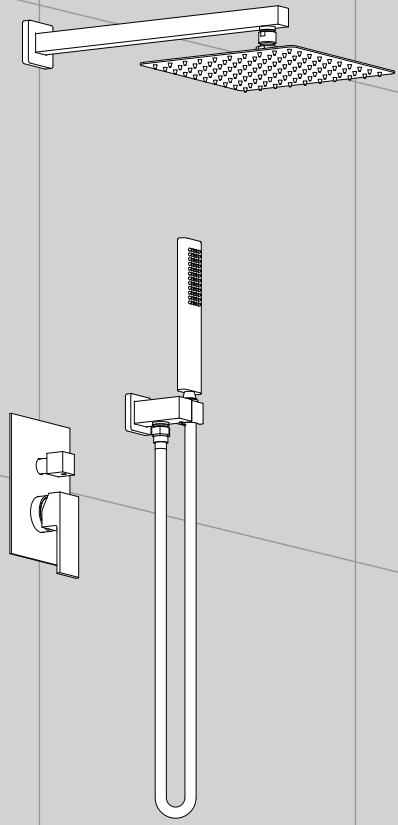
1

2

3

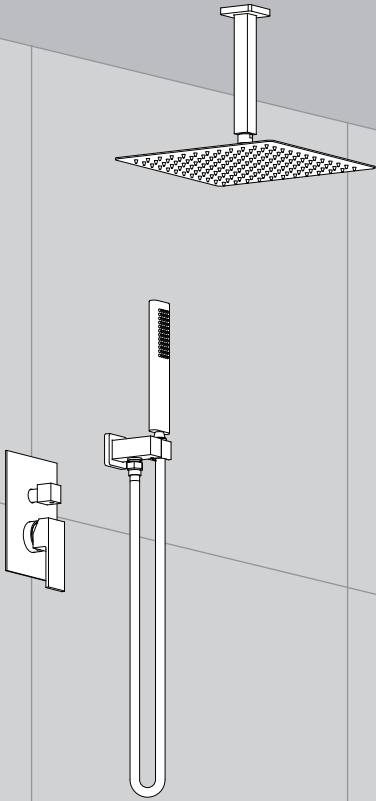
Install the cover, shower arm and shower head in sequence.

22



Finish installation.

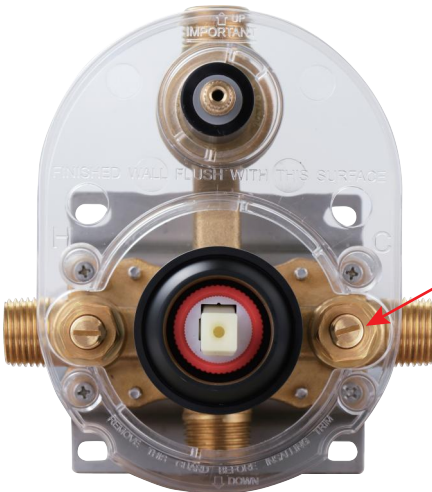
24



Finish installation.

ADJUSTMENT OF CHECK VALVES

The outlet water adjusting device of the left and right sides, it can adjust the water flow rate and close outlet water function when you need to repair/change cartridge.



It can close water when you screw clockwise slotted screwdriver on both sides.

Note: If only close one side that it will cause faucet abnormal outlet water, for normal outlet water please make sure the adjusting position on both sides is open (counterclockwise to open).