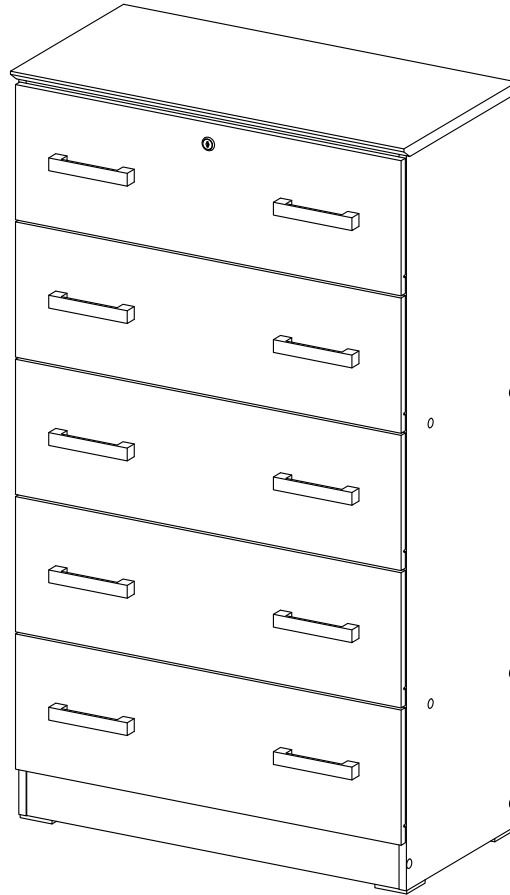

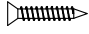


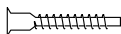



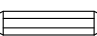
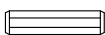


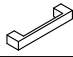

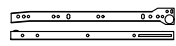





FURNITURE / INSTRUCTIONS



Hardware List			
A2		Screw m3.5 x 14mm	92 pcs
A4		Screw m3.5 x 20mm	4 pcs
A7		Screw m4 x 30mm	20 pcs
A10		Screw m4 x 38mm	20 pcs
A17		Screw m6.3 x 40mm	12 pcs
A34		Euro Screw m5 x 8mm	20 pcs
C5		Square Lock Set	1 set
C8		Square Lock L Bracket	1 pc
D4		Wood Dowel 6 x 25mm	20 pcs

D6		Wood Dowel 8 x 25mm	16 pcs
E21		Anti-Tipping Pack	2 sets
F2		Mini Fit 15mm	24 sets
H21		Handle 128mm	10 pcs
L2		Plastic Leg L Shape	4 pcs
M6		Drawer Metal Slide 350mm	5 sets
N1		Allen Key	1 pc
R2		Single Plastic Cap	44 pcs
Y		Crosshead Cover	12 pcs

*** Extra screw for your commitment.**

*** Please assemble flat or nice service.**

"Congratulations on Your Recent Purchase! Here Are Some Tips Before You Begin Assembling:"

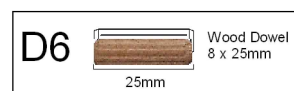
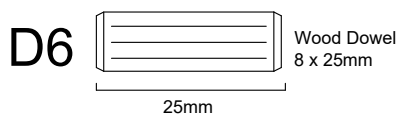
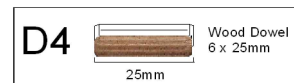
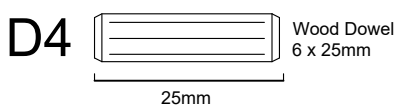
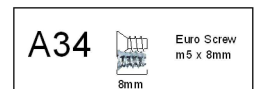
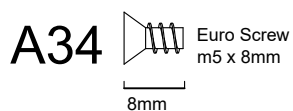
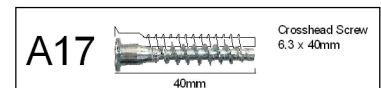
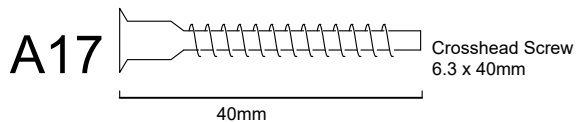
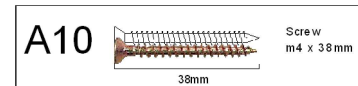
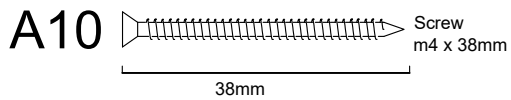
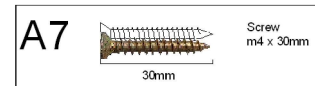
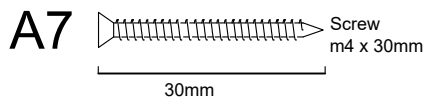
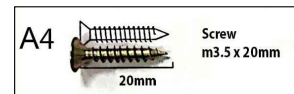
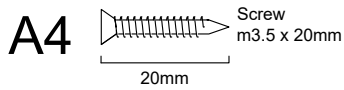
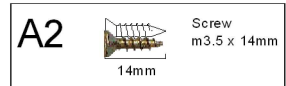
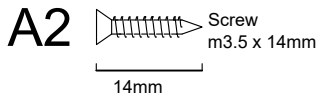
"Preparing for your exciting new purchase? Be sure to set yourself up for a smooth assembly process by following these steps:"

- First, we recommend using a rug or any large clean surface as your workspace to provide a sturdy base for assembly.
- Next, it is important to separate all components and identify each part by their designated letters. This will make it easier to follow the assembly instructions and ensure all pieces are placed correctly.
- Additionally, on a clean surface separate and identify all screws lengths and hardware. You can use the assembly instructions as a guide and place the screws on top of the actual size pictured. This will save you time and confusion during the assembly process.
- Finally, we highly encourage you to carefully read through the assembly instructions and start from step one. Follow each step diligently until your new purchase is fully assembled. However, if you have any questions or need further assistance, please do not hesitate to reach out to us via email.

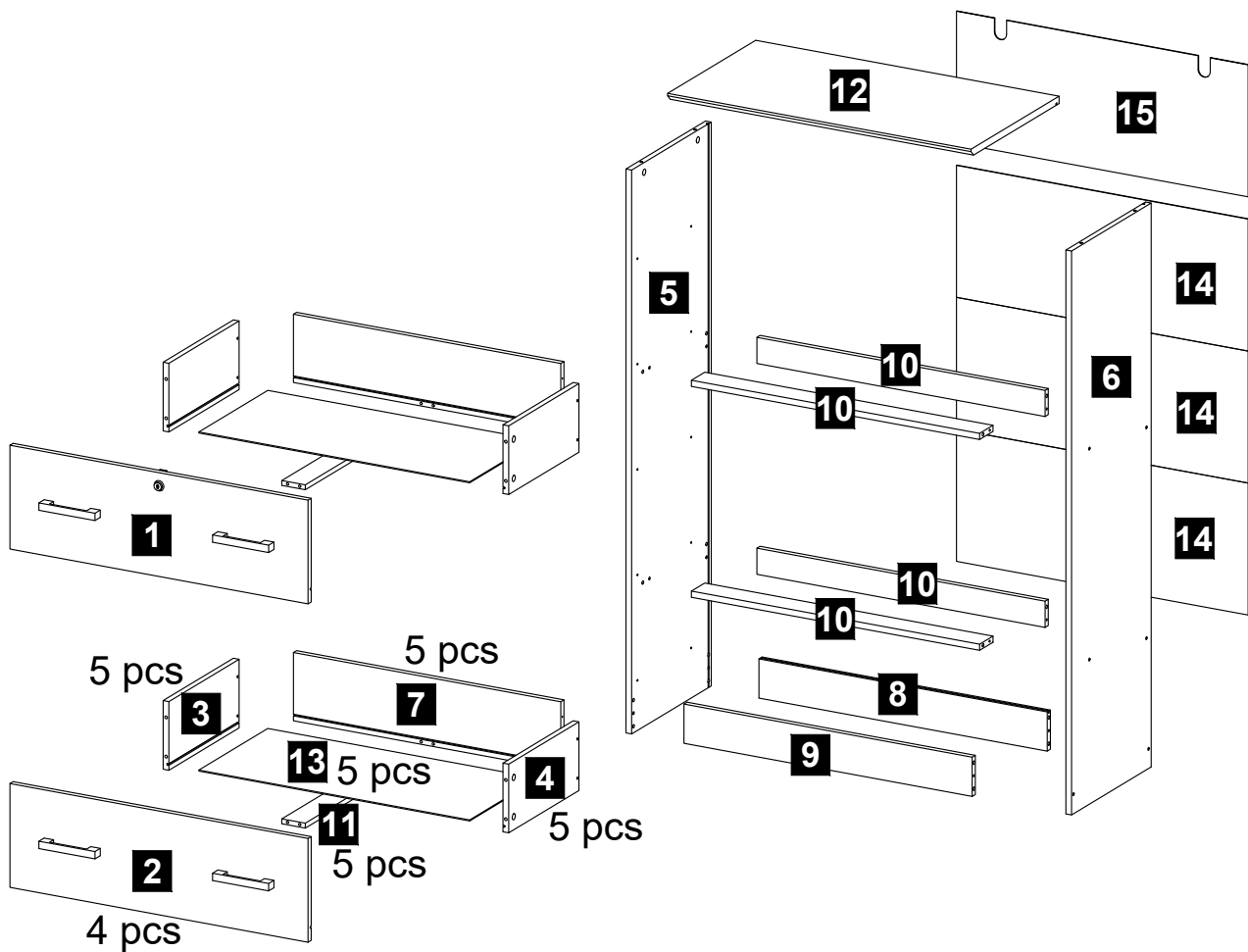
**Thank you again for choosing our product.
We wish you all the best and happy assembling!**

FURNITURE / INSTRUCTIONS

Place your screw on top of the scale to identify their size.



Screw Reference Size.



Parts List		
1	Drawer Front Panel (Lock)	1 pc
2	Drawer Front Panel	4 pcs
3	Drawer Side Panel (L)	5 pcs
4	Drawer Side Panel (R)	5 pcs
5	Side Panel (L)	1 pc
6	Side Panel (R)	1 pc
7	Drawer Back Board	5 pcs
8	Big Crossbar	1 pc

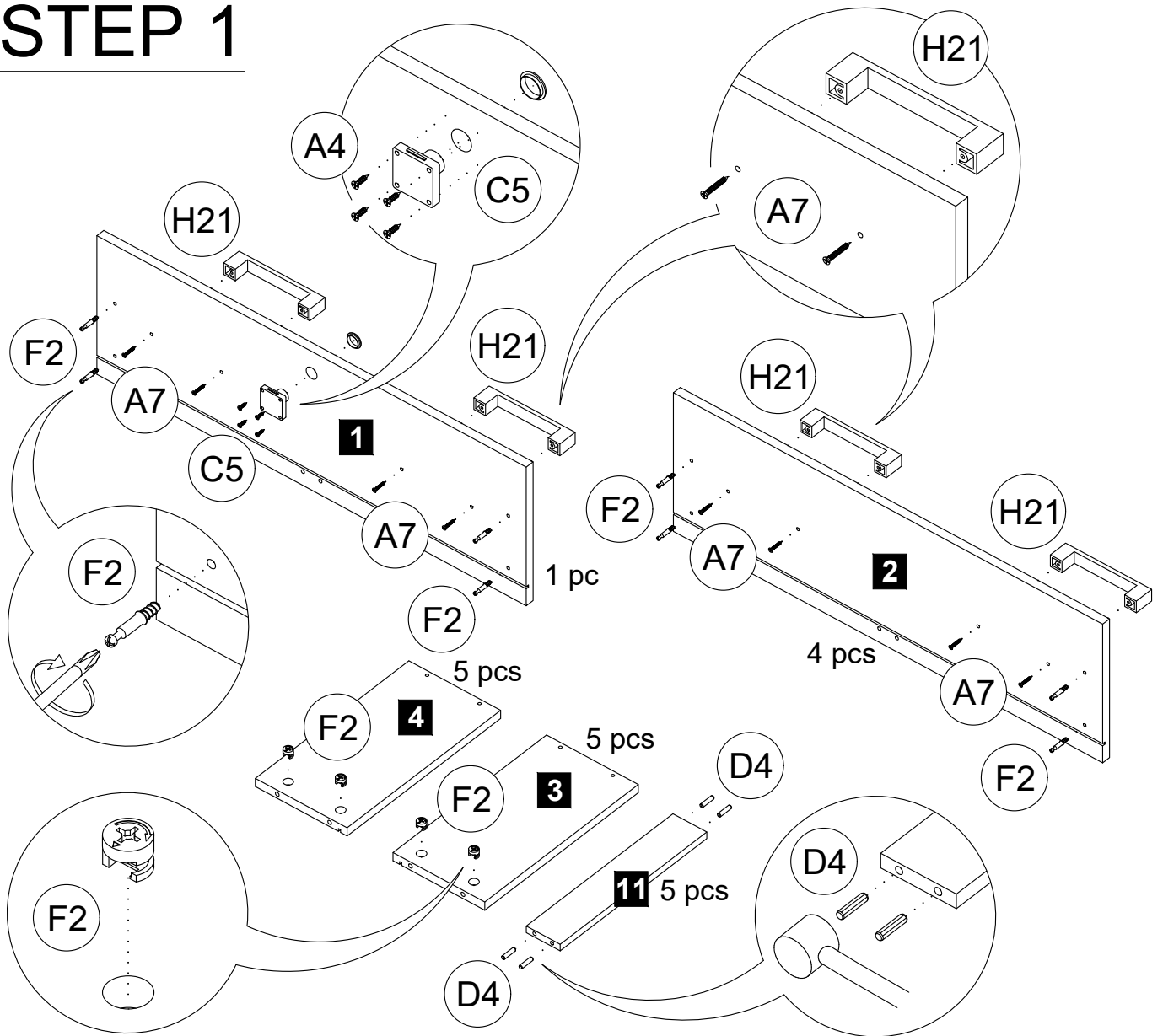
9	Lower Big Crossbar	1 pc
10	Small Crossbar	4 pcs
11	Drawer Crossbar	5 pcs
12	Top Panel	1 pc
13	Drawer Bottom Panel	5 pcs
14	Backboard	3 pcs
15	Top Backboard	1 pc

EACH PART IS LABELLED ACCORDING TO THE PARTS LIST



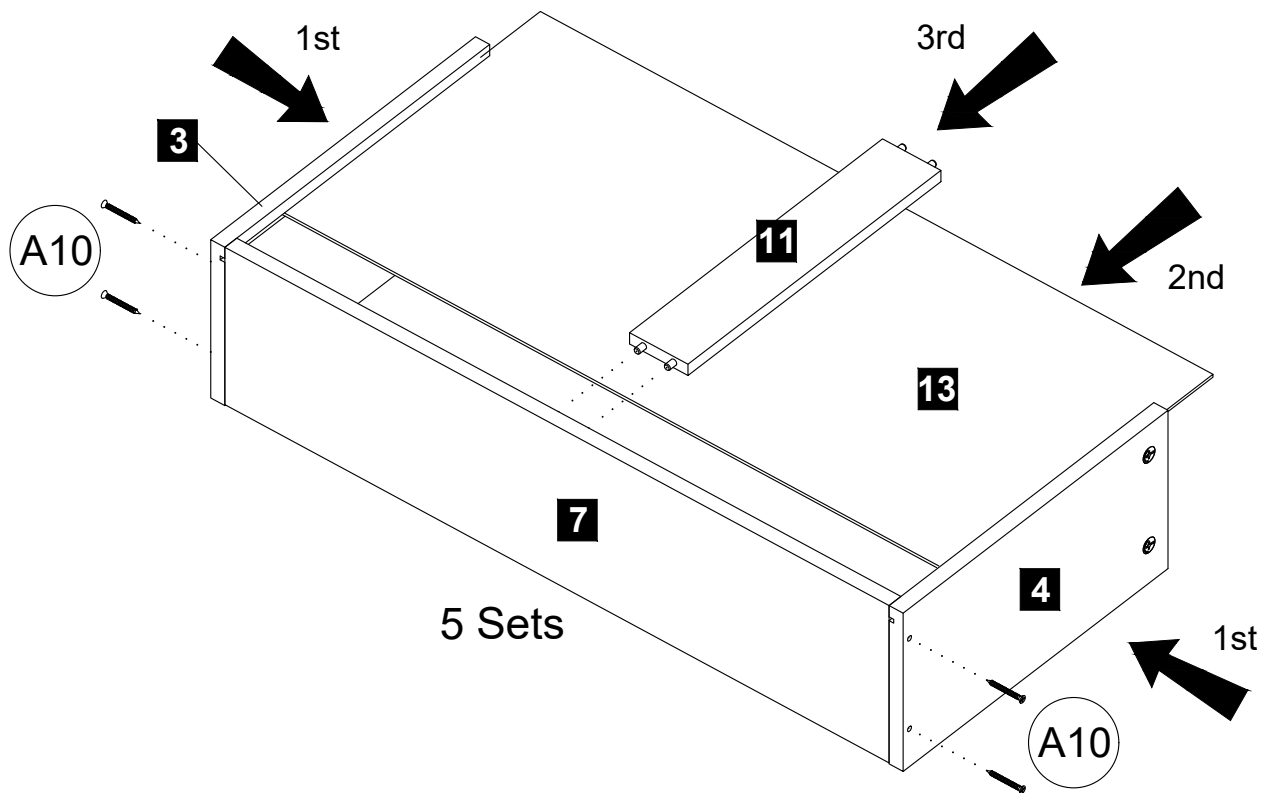
Before starting assembly
please verify if all parts and
hardware are included


STEP 1



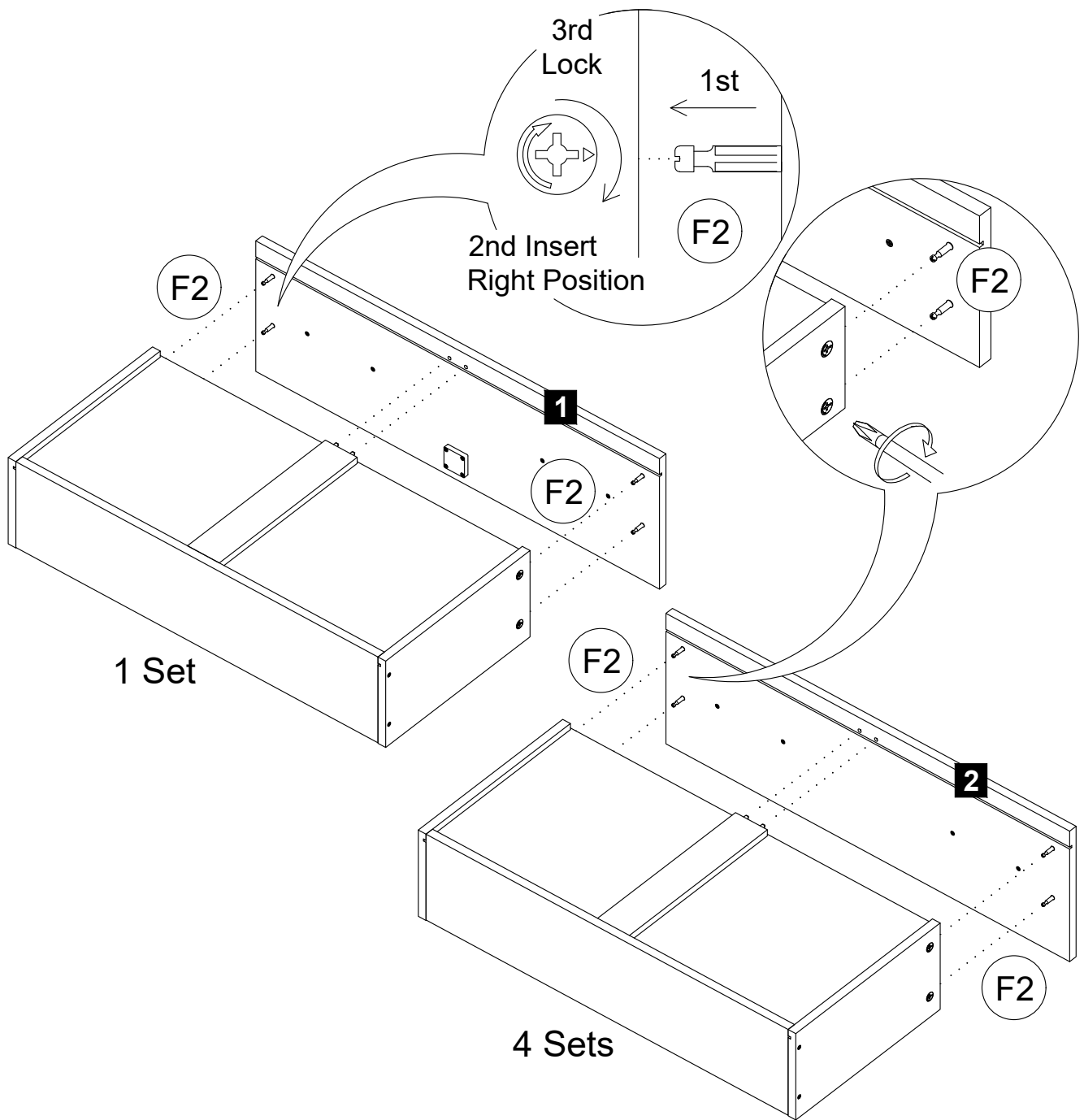
A4		Screw m4 x 20mm	4 pcs
A7		Screw m4 x 30mm	20 pcs
C5		Square Lock Set	1 set
D4		Wood Dowel 6 x 25mm	20 pcs
F2		Mini Fix Cam	20 pcs
F2		Mini Fix Bolt	20 pcs
H21		Black Handle 128mm	10 pcs

STEP 2



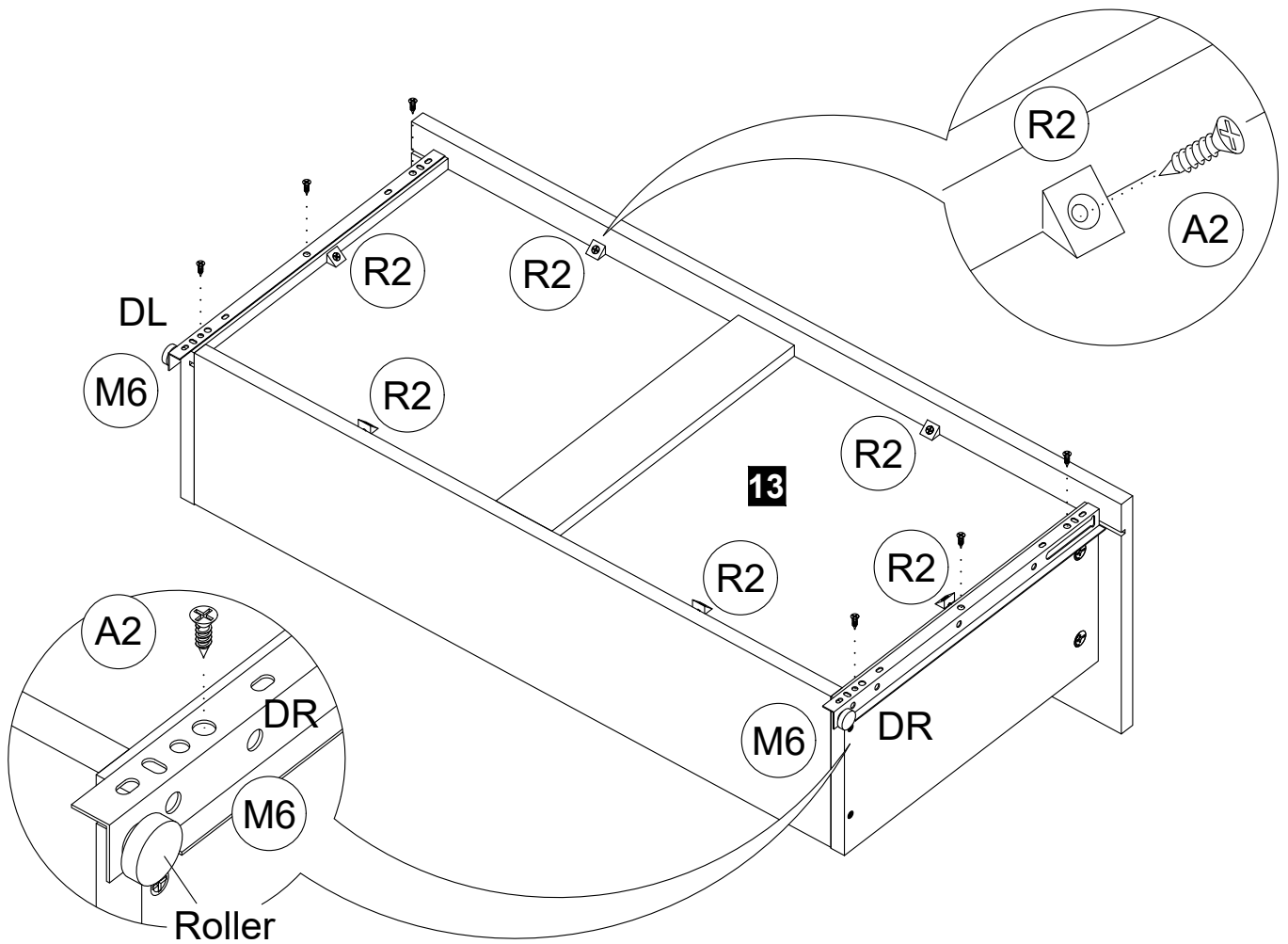
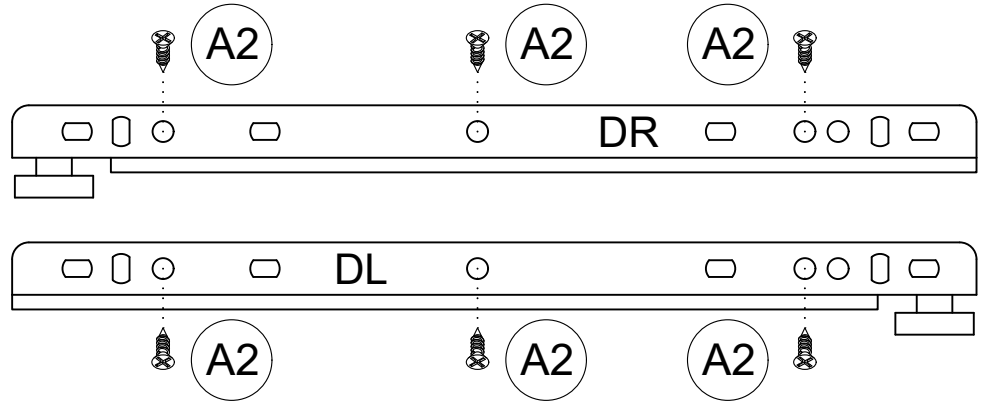
A10		Screw m4 x 38mm	20 pcs
-----	---	-----------------	--------


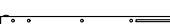

STEP 3



To Assemble the Drawer Slide, Please follow step as below

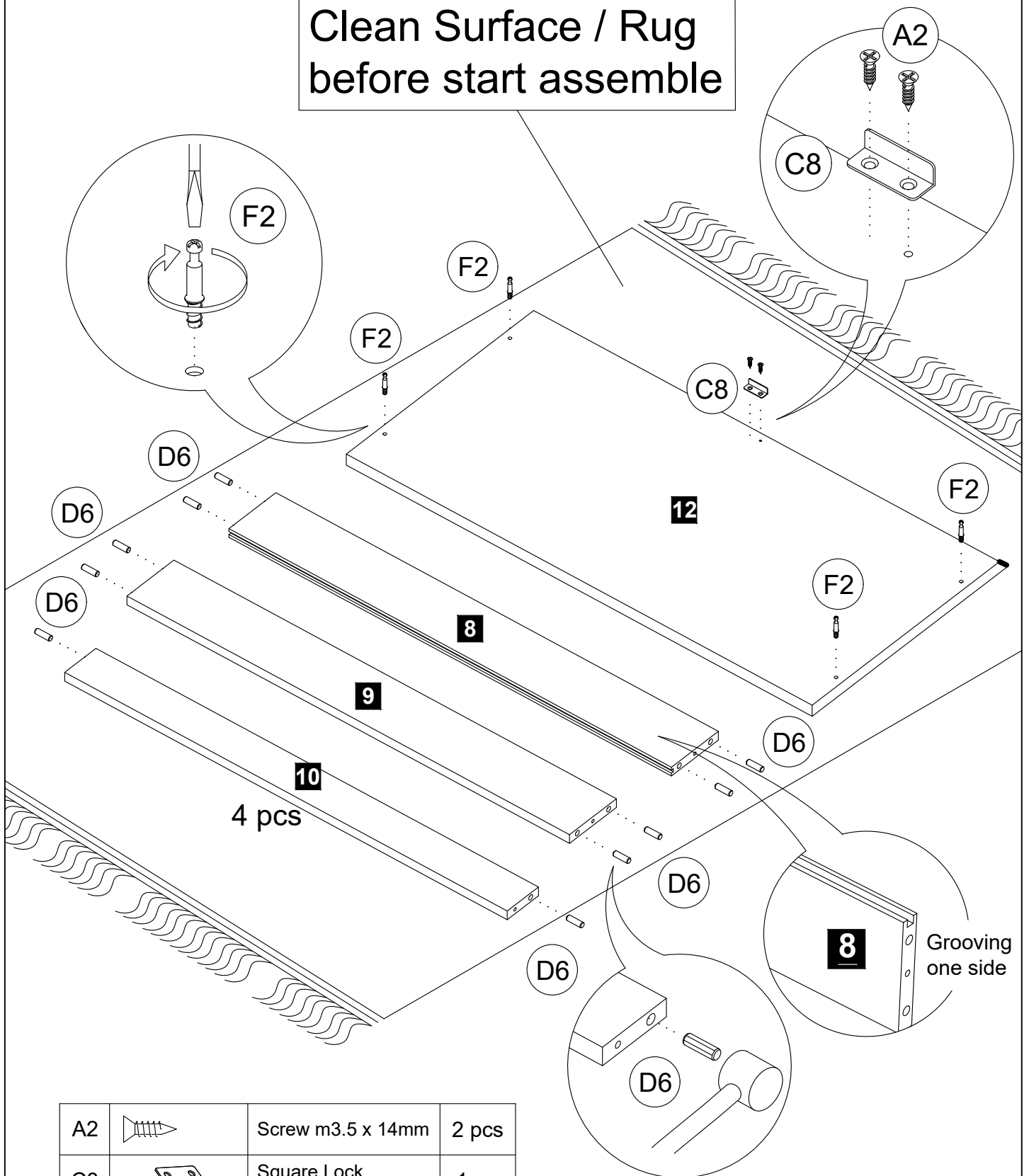
STEP 4

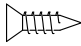

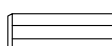



A2		Screw m3.5 x 14mm	60 pcs
M6		Drawer Metal Slide 350mm	5 sets
R2		Single Plastic Cap	30 pcs

STEP 5

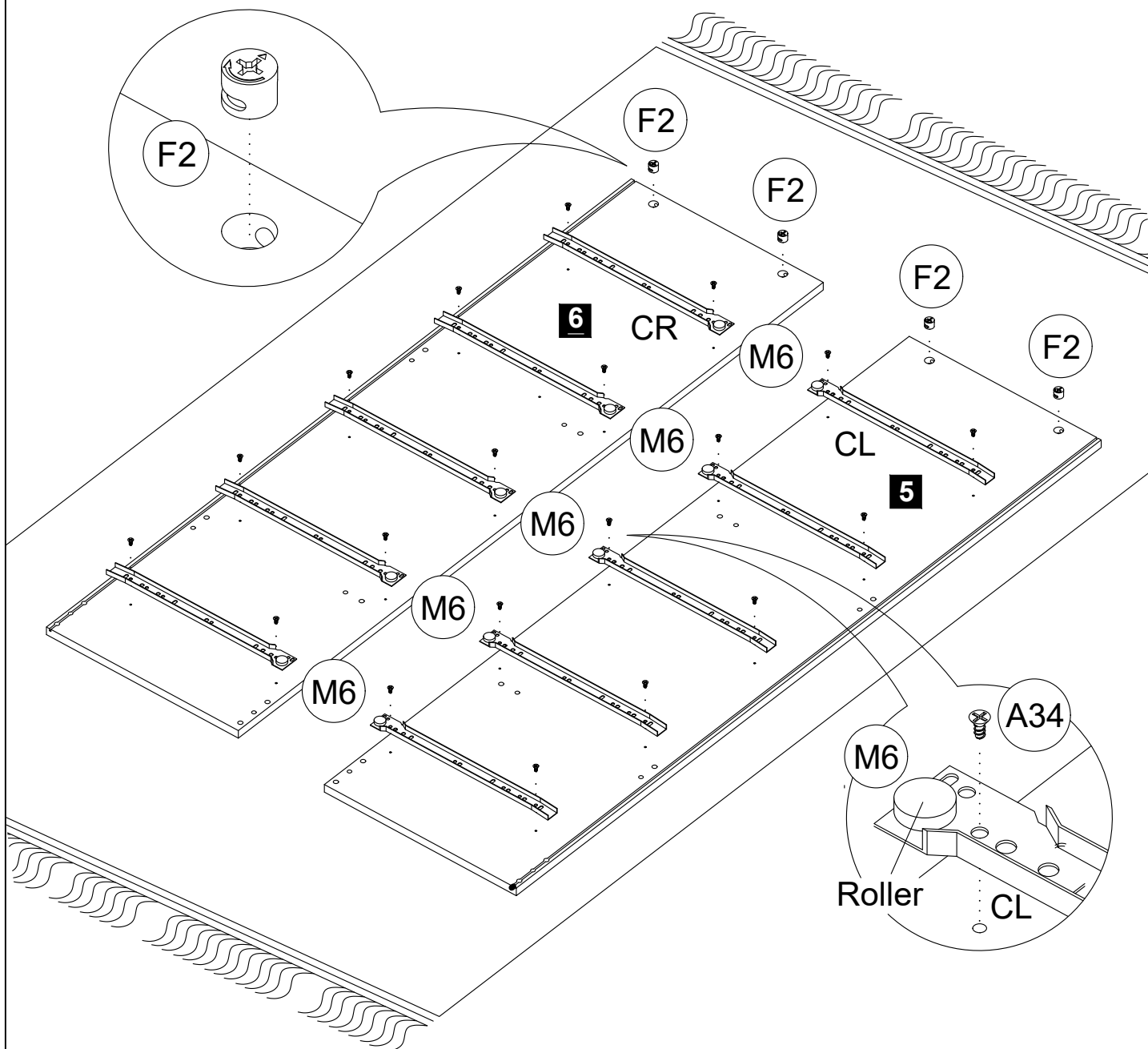
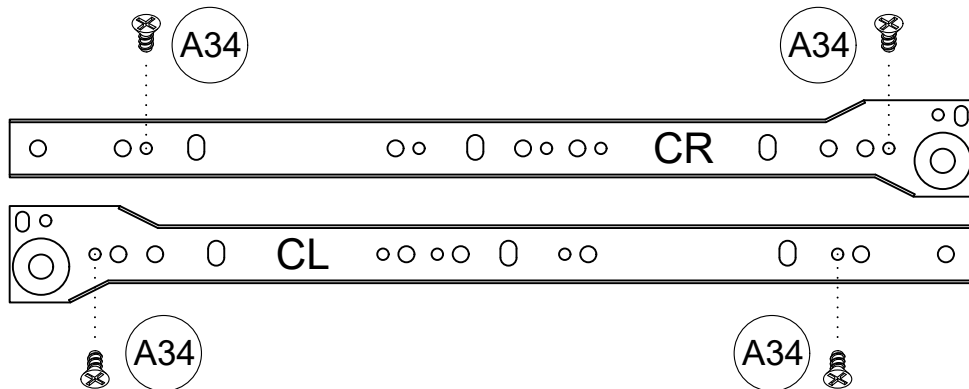
ATTENTION !
Clean Surface / Rug
before start assemble

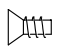

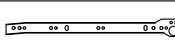


A2		Screw m3.5 x 14mm	2 pcs
C8		Square Lock L Bracket	1 pc
D6		Wood Dowel 8 x 25mm	16 pcs
F2		Mini Fix Bolt	4 pcs

To Assemble the Drawer Slide, Please follow step as below

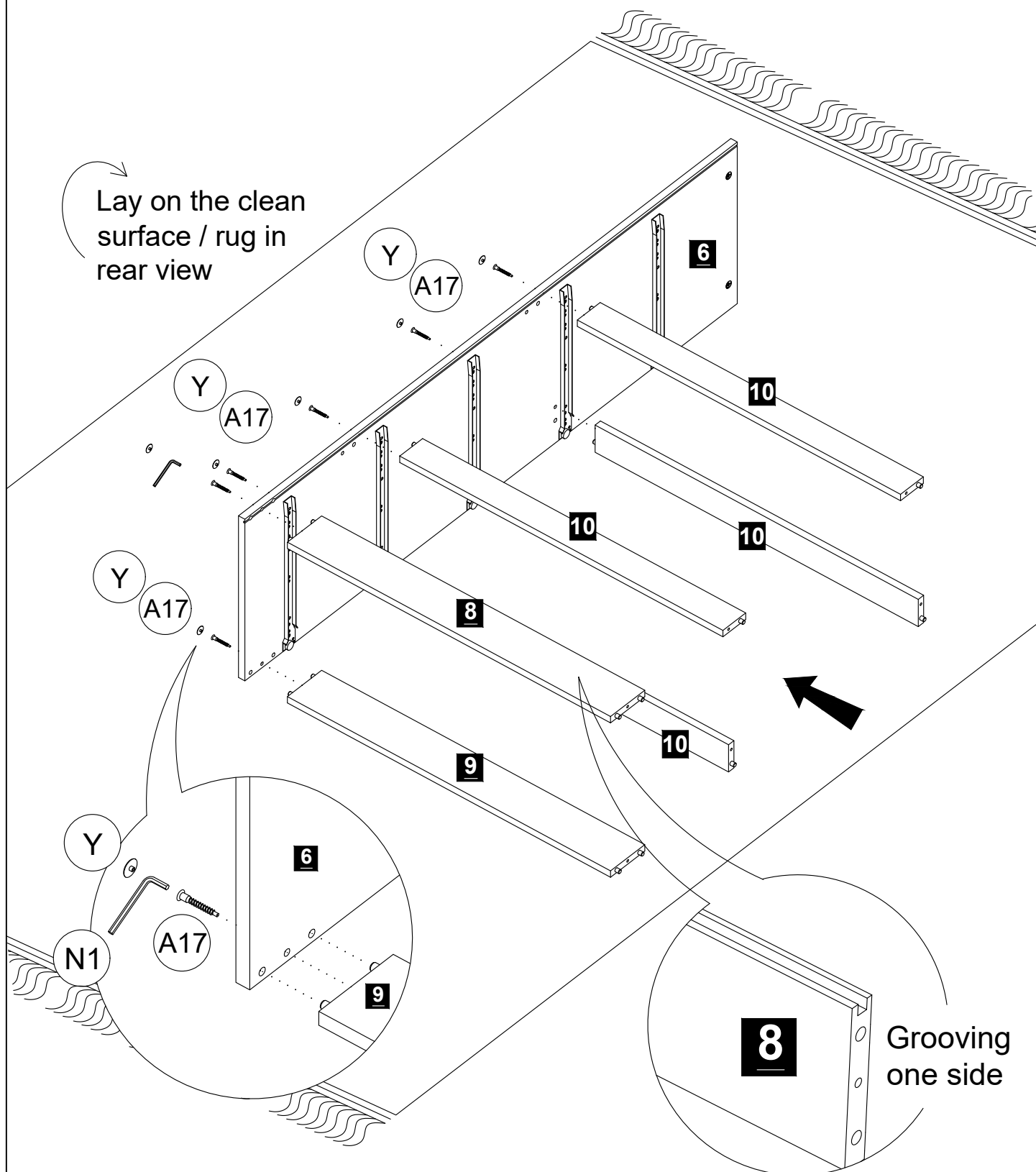
STEP 6

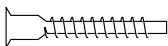




A34		Euro Screw	20 pcs
F2		Mini Fix Cam	4 pcs
M6		Drawer Metal Slide 350mm	5 Sets

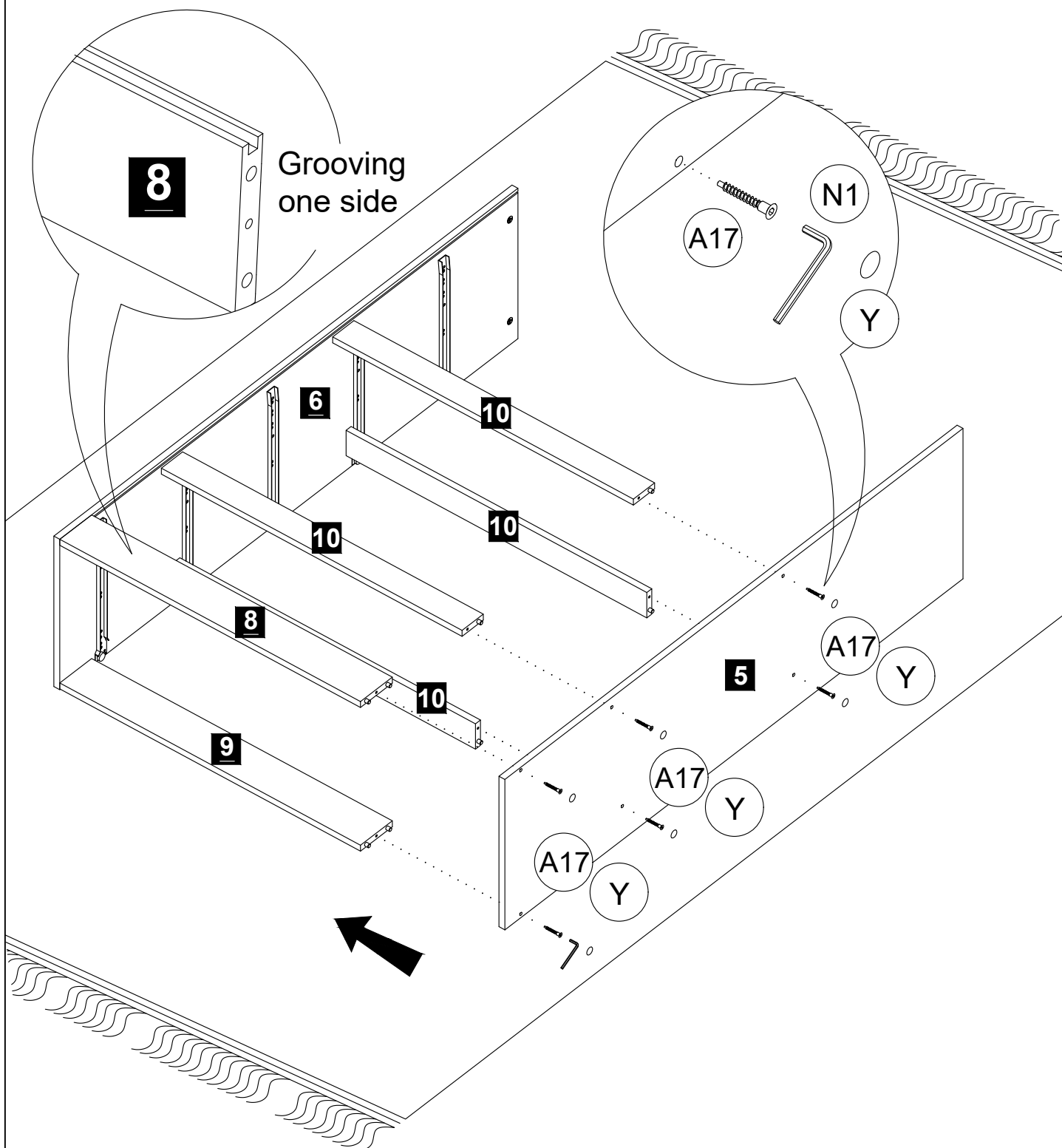
STEP 7

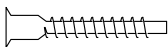


Lay on the clean surface / rug in rear view



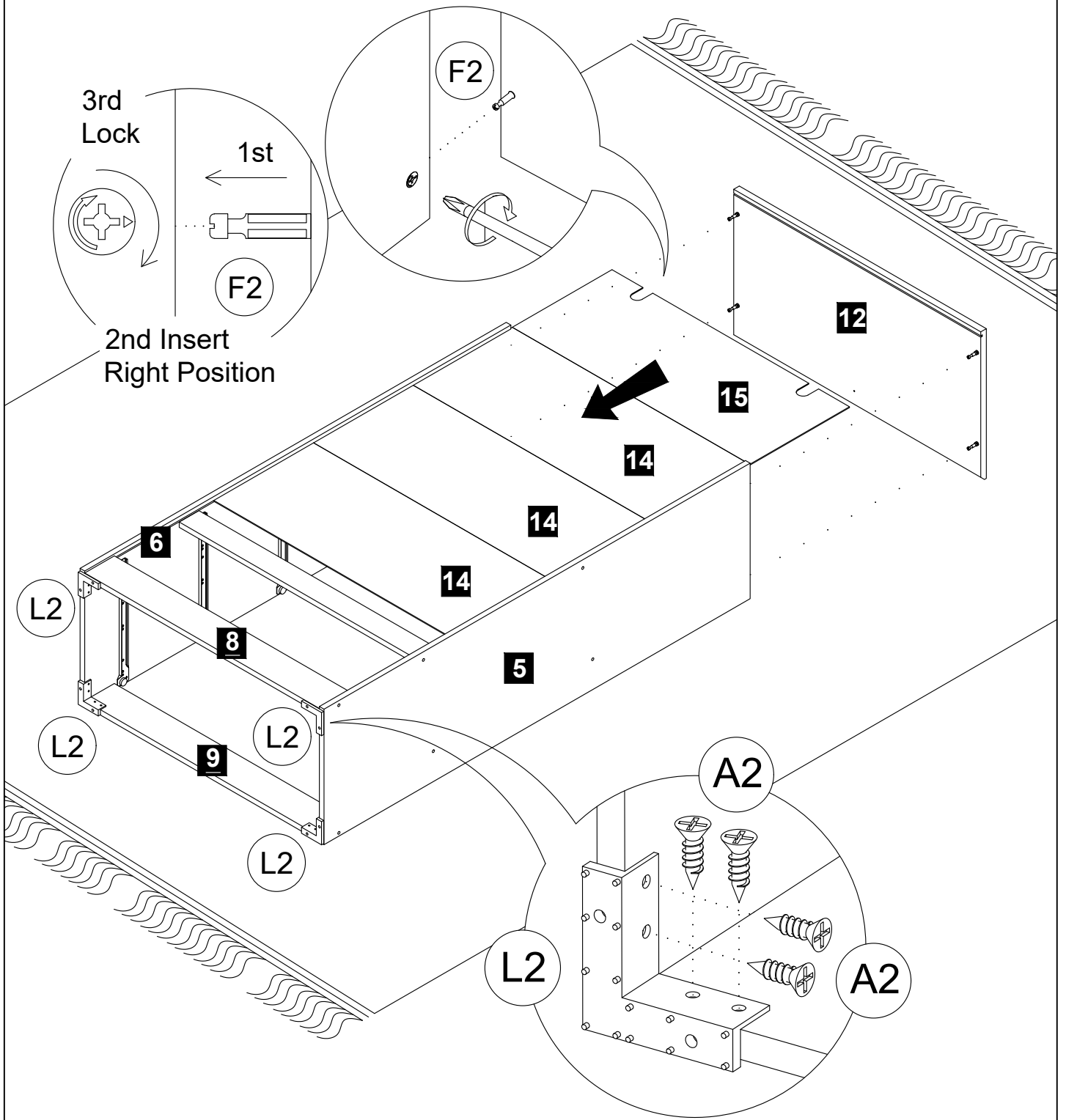
A17		Crosshead Screw m6.3 x 40mm	6 pcs
N1		Allen Key	1 pc
Y		Crosshead Cover	6 pcs



STEP 8



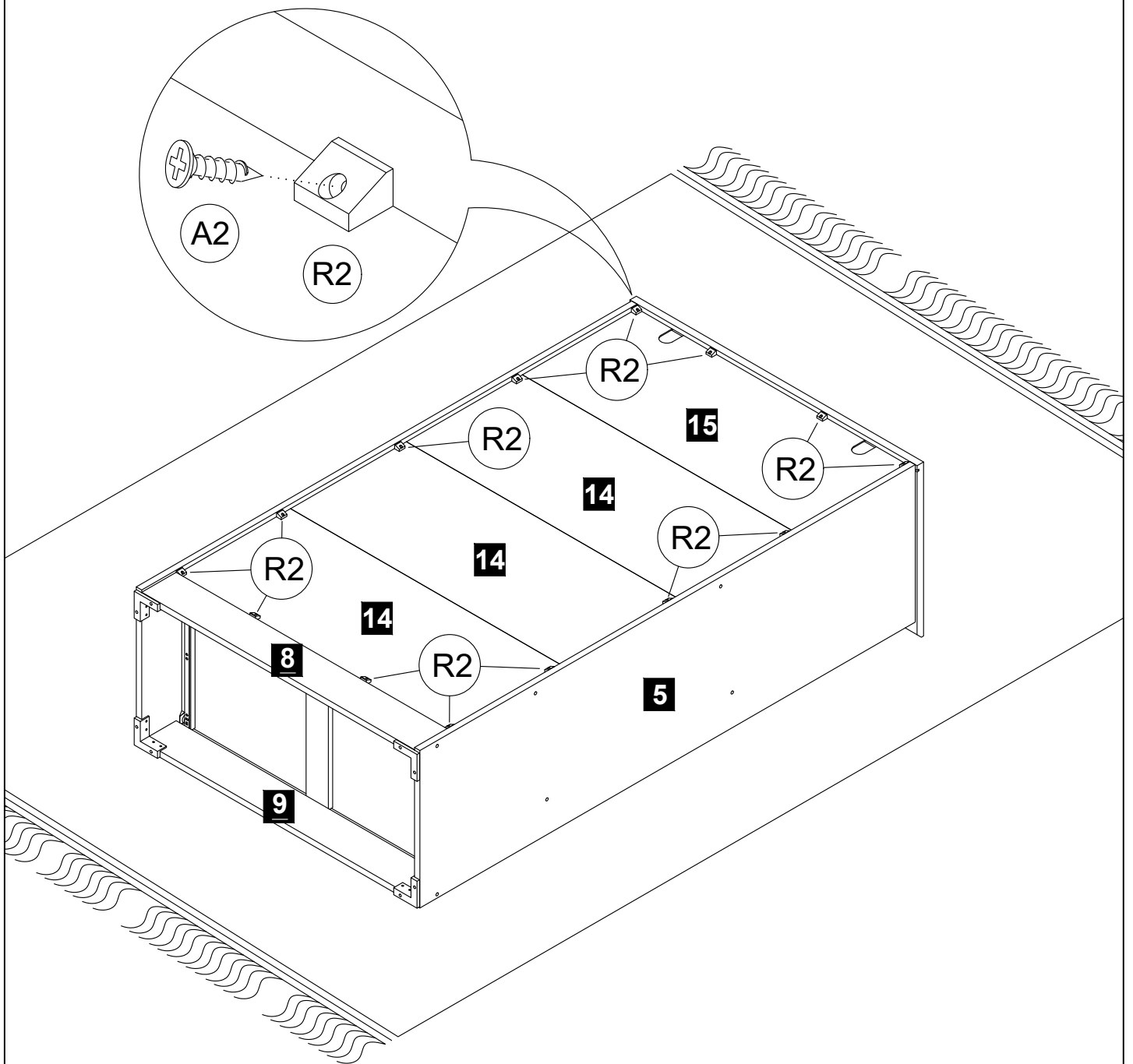
A17		Crosshead Screw m6.3 x 40mm	6 pcs
N1		Allen Key	1 pc
Y		Crosshead Cover	6 pcs



STEP 9



A2		Screw m3.5 x 14mm	16 pcs
L2		Plastic Leg L Shape	4 pcs

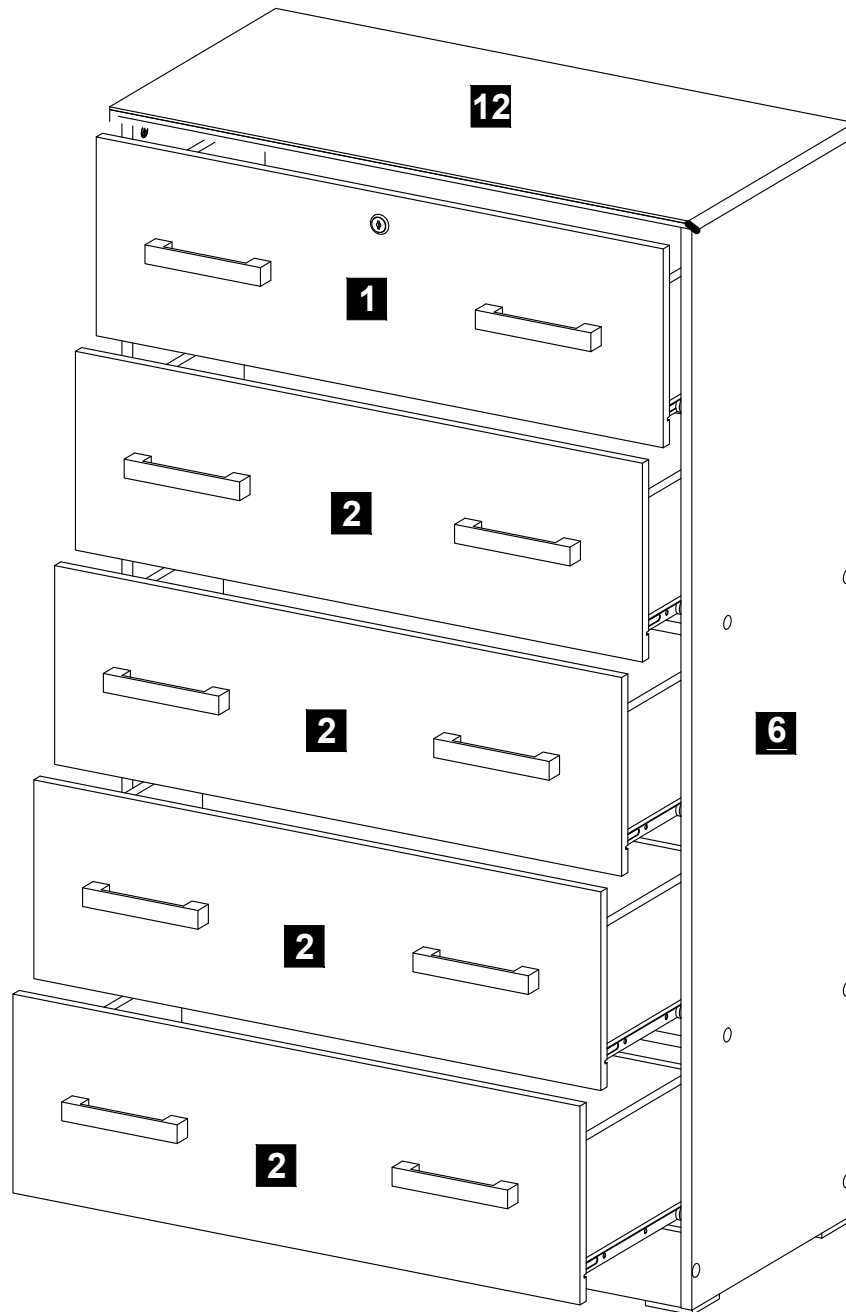
STEP 10



A2		Screw m3.5 x 14mm	14 pcs
R2		Single Plastic Cap	14 pcs

STEP 11

Flip
Up

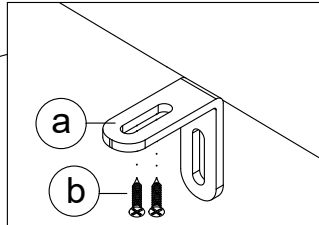
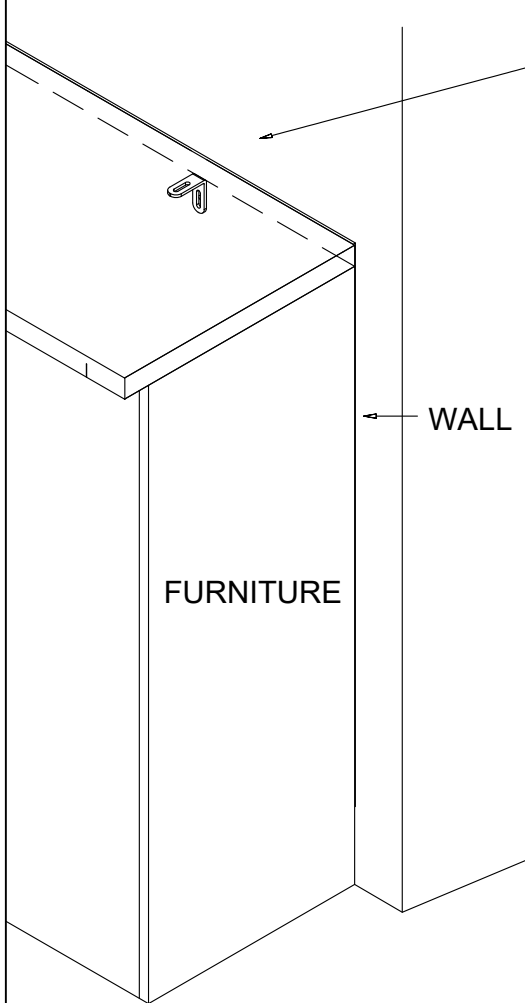


Insert
drawers

INSTALLATION OF TIPOVER RESTRAINT KIT

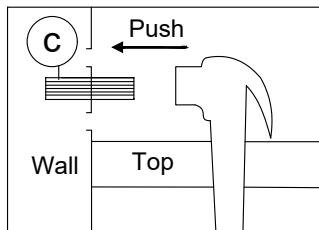
The Tipover Restraint Kit is highly recommended for this piece of furniture.

(Please take this into extra consideration around young toddlers and children)



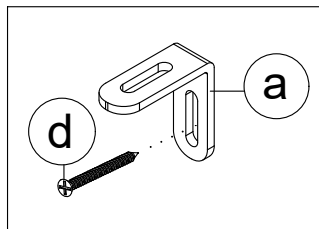
STEP 1:

- Attach the mounting bracket (a) to the bottom top panel near the edge of the side of the unit.
- Screw (b) through the two holes of (a).



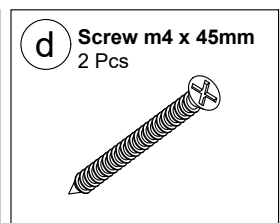
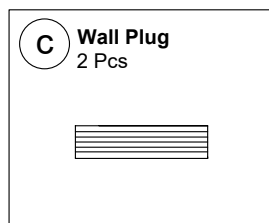
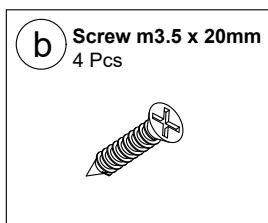
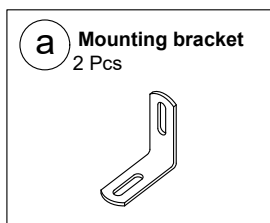
STEP 2:

- Insert the wall plug (c) into the wall behind the unit.



STEP 3:

- Attach to the mounting bracket (a) to the wall plug (c) through the hole by using (d).



AH CHAI ENTERPRISE SDN BHD
LOT 17334, LORONG ASAS JAYA 3,
KWS PERINDUSTRIAN RINGAN ASAS JAYA,
PERMATANG TINGGI,
14000 BUKIT MERTAJAM, PENANG.
Manufacture Date: 9/12/2023

Troubleshooting

- If the drawers are overlapping each other - **Solution:** The metal slides are placed upside down, please refer to the instruction manual.
- If the doors are overlapping each other - **Solution:** make sure the correct hinges are placed on the right door refer to the hinge assembly step on the manual.
- If the gap between the doors is too large or too small, the doors are overlapping each other, not parallel, or rubbing against the sides of the closet - **Solution:** See the page for " Door Adjustment. " or see video, QR code video is available below.