

## **IMPORTANT**

### **PLEASE READ BEFORE YOU CONTINUE FURTHER**

**THIS PRODUCT WILL GIVE YOU MANY YEARS OF SERVICE IF YOU FOLLOW THE GUIDELINES BELOW REGARDING SAFE ASSEMBLY, MAINTENANCE AND CLEANING.**

**IN THE UNLIKELY EVENT THAT YOUR ITEM SHOULD HAVE A DEFECT, DO NOT INSTALL YOUR ITEM AS RETURNS WILL NOT BE ACCEPTED ONCE FITTED.**

**WE ADVISE YOU USE A QUALIFIED PERSON TO INSTALL YOUR DRINKS TROLLEY AS ANY ISSUES RELATING TO POOR FITTING WILL NOT BE ACCEPTED**

**THIS PRODUCT IS WATER RESISTANT, BUT NOT WATERPROOF. PLEASE AVOID EXCESSIVE AMOUNTS OF WATER SITTING ON THE GLASS TOP FOR LONG PERIODS AS IT CAN DAMAGE YOUR PRODUCT.**

**DO NOT USE ANY OTHER TOOLS THAN THOSE SHOWN, USE OF POWER TOOLS COULD MAKE THIS PRODUCT UNSAFE OR DAMAGE THE UNIT**

**DO NOT OVER TIGHTEN FIXINGS AS THIS COULD CAUSE DAMAGE / SPLITTING TO COMPONENTS. RETURNS WILL NOT BE ACCEPTED DUE TO DAMAGE DURING ASSEMBLY.**


**FOR CLEANING USE A DAMP CLOTH (NOT WET) OR DUSTER. DO NOT USE ABRASIVE OR CHEMICAL CLEANERS AS THEY CAN DAMAGE YOUR PRODUCT. RETURNS WILL NOT BE ACCEPTED DUE TO INCORRECT CARE OF YOUR PRODUCT.**

**THE SURFACE OF THIS PRODUCT IS NOT HEAT RESISTANT**

**PLEASE KEEP THE ORIGINAL PACKING UNTIL YOUR ITEM IS FULLY ASSEMBLED. IN THE UNLIKELY EVENT YOU NEED TO RETURN YOUR PRODUCT, IT MUST BE RETURNED IN ITS ORIGINAL PACKING**

## Safety and Care Advice

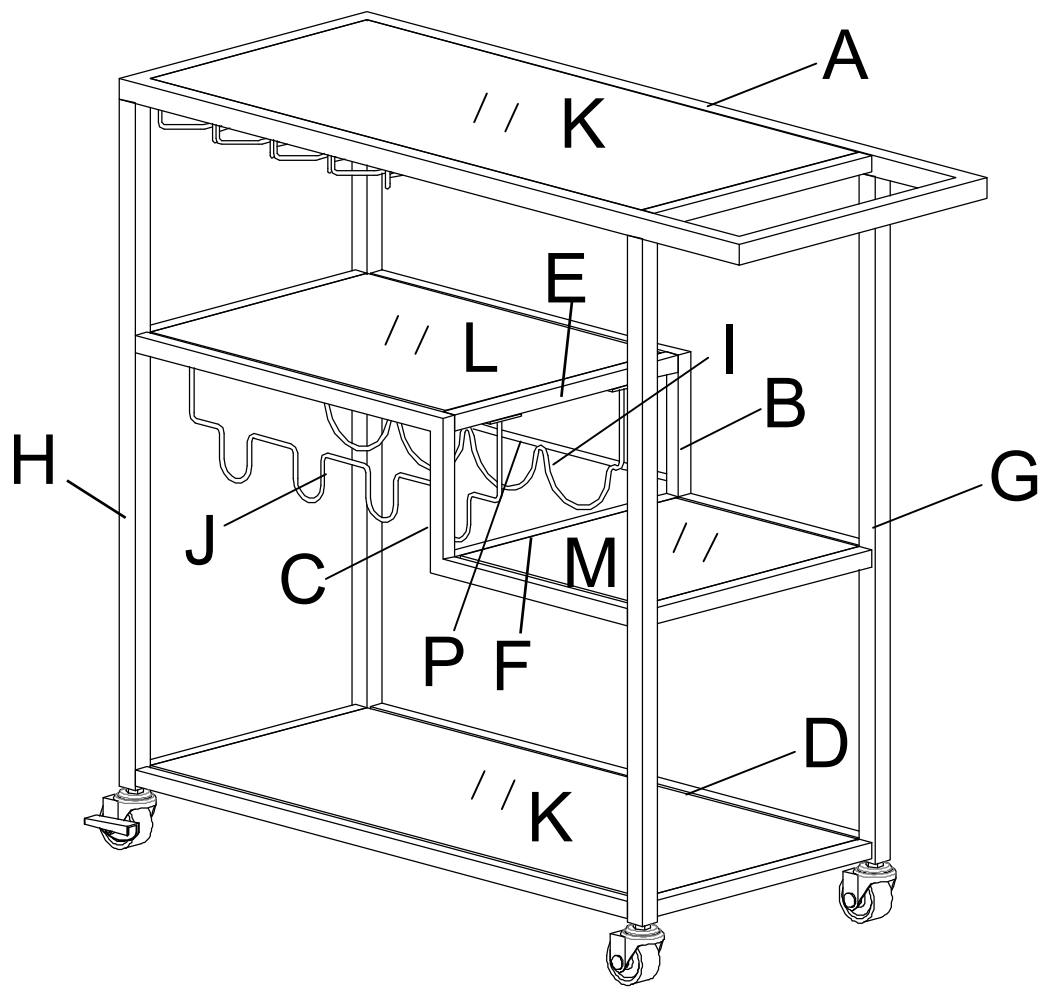
**Important** – Please read these instructions fully before starting assembly

- ☒ Check you have all the components and tools listed on pages 4 and 5.
- ☒ Remove all fittings from the plastic bags and separate them into their groups.
- ☒ Keep children and animals away from the work area, small parts could choke if swallowed.
- ☒ Make sure you have enough space to lay out the parts before starting.
- ☒ Do not stand or put weight on the product, this could cause damage.
- ☒ Assemble the item as close to its final position (in the same room) as possible.
- ☒ Assemble on a soft, level surface to avoid damaging the unit or your floor.
- ☒ We do not recommend the use of power drill/drivers for inserting screws, as this could damage the unit.  

- ☒ Only use hand screwdrivers.
- ☒ Dispose of all packaging carefully and responsibly.

## Care and Maintenance

- ☒ Only clean using a damp cloth and mild detergent, do not use bleach or abrasive cleaners.
- ☒ From time to time check that there are no loose screws on this unit.
- ☒ This product should not be discarded with household waste. Take to your local authority waste disposal centre.


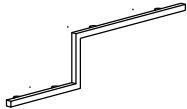
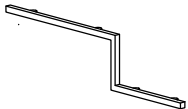
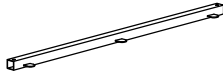
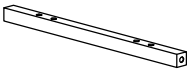

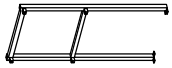
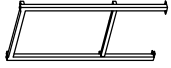

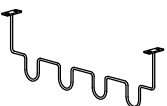

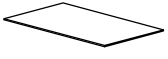

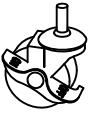
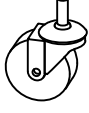


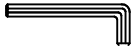

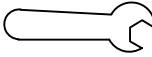
# Exploded View



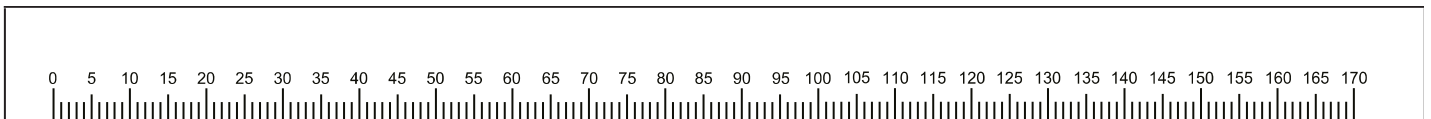
# Components - Fixings

Please check that you have all the components listed below before constructing your item.

**Note:** The quantities below are the correct amount to complete the assembly. In some cases more fittings may be supplied than are required.

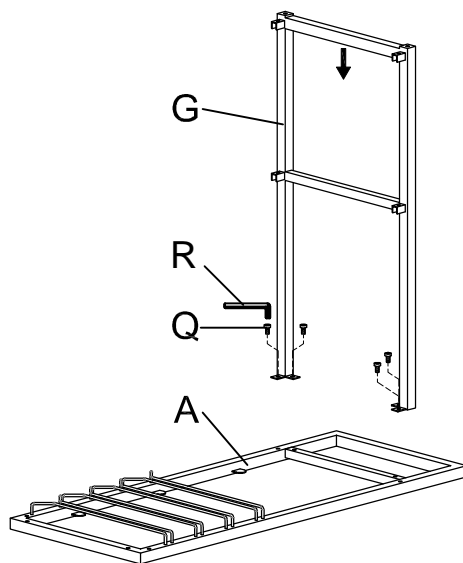
<b>A</b> 1PC 	<b>B</b> 1PC 	<b>C</b> 1PC 	<b>D</b> 2PCS 
<b>E</b> 1PC 	<b>F</b> 1PC 	<b>G</b> 1PC 	<b>H</b> 1PC 
<b>I</b> 1PC 	<b>J</b> 1PC 	<b>K</b> 2PCS 	<b>L</b> 1PC 
<b>M</b> 1PC 	<b>N</b> 2PCS 	<b>O</b> 2PCS 	<b>P</b> 1PC 
<b>Q</b> 28PCS  <b>M6*12MM</b>	<b>R</b> 1PC 	<b>S</b> 20PCS 	<b>T</b> 1PC  <b>M14</b>

**Ruler** – Use this to measure your screws (mm)

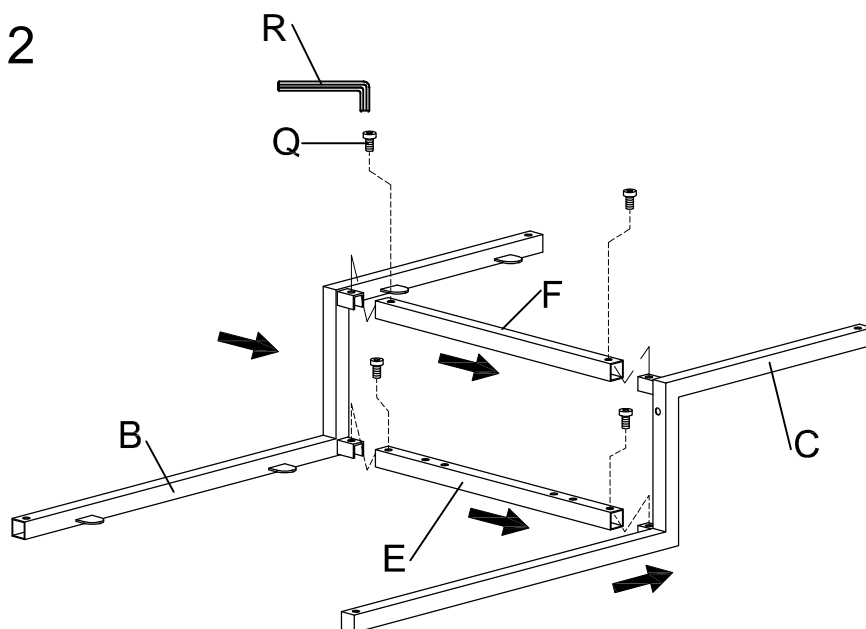


# Assembly Instructions

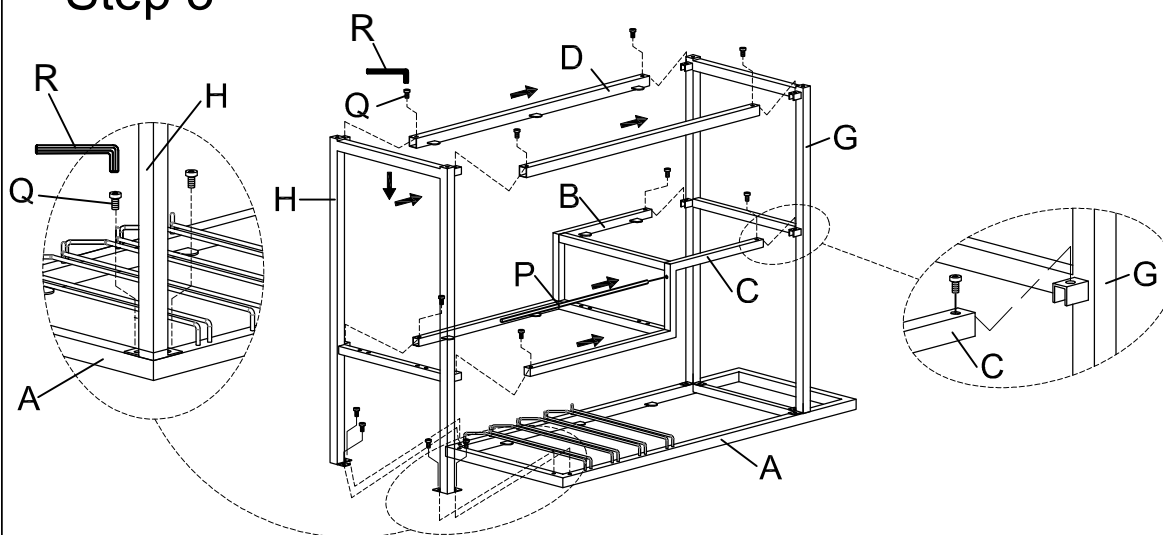
## Step 1



## Step 2

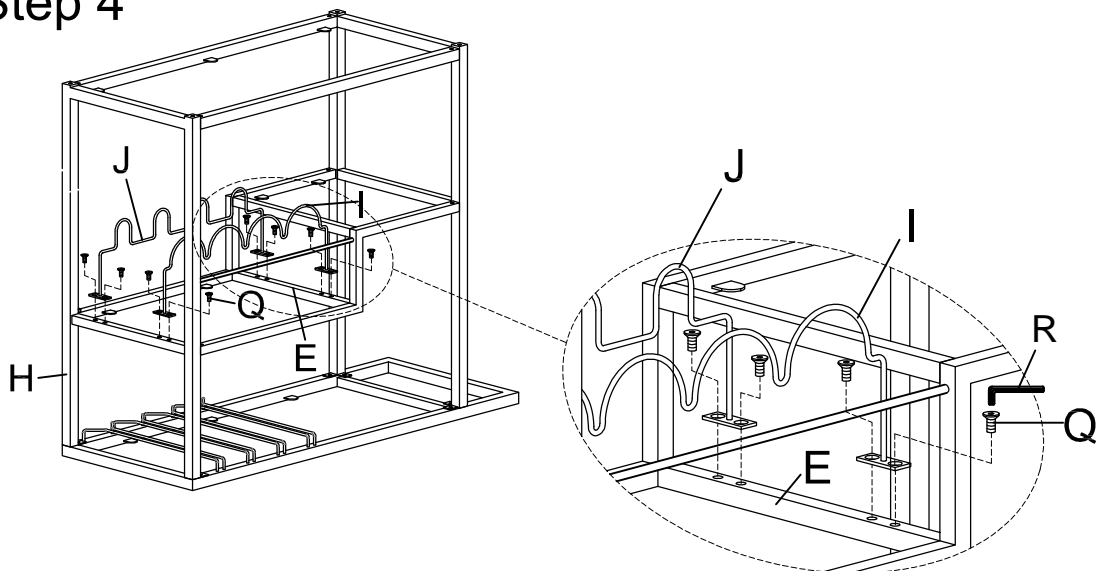


## Step 3

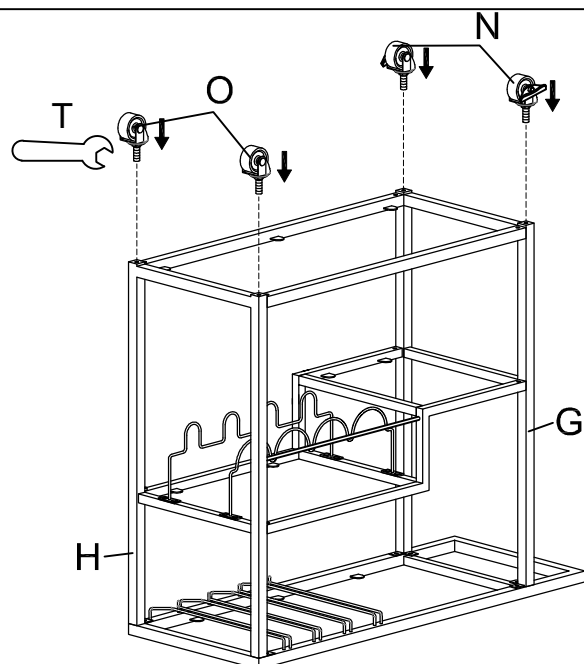


# Assembly Instructions

## Step 4



## Step 5



## Step 6

