

50" TV Stand w/ Fireplace

Assembly Instructions

NOTE: This instruction manual contains **IMPORTANT** safety information. Please read carefully before assembling the product



Estimated Time for Assembly

60 mins

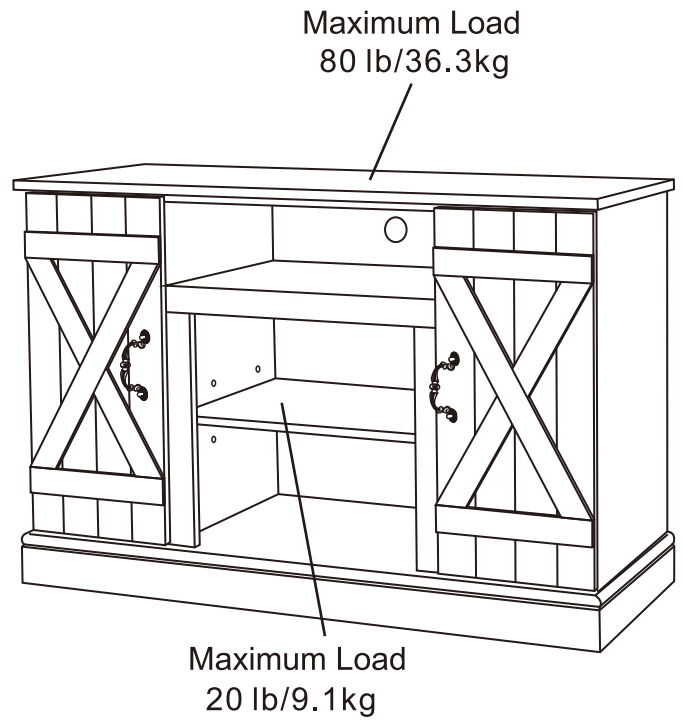
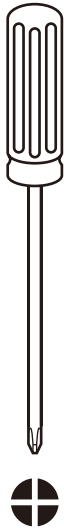


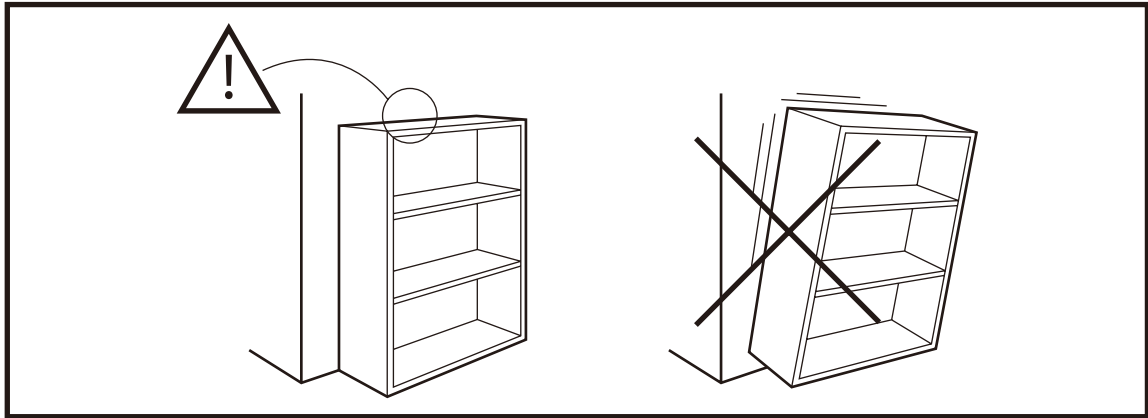
Weight Limitation

20 lb Shelf

80 lb Top

Tools Needed (Not included)

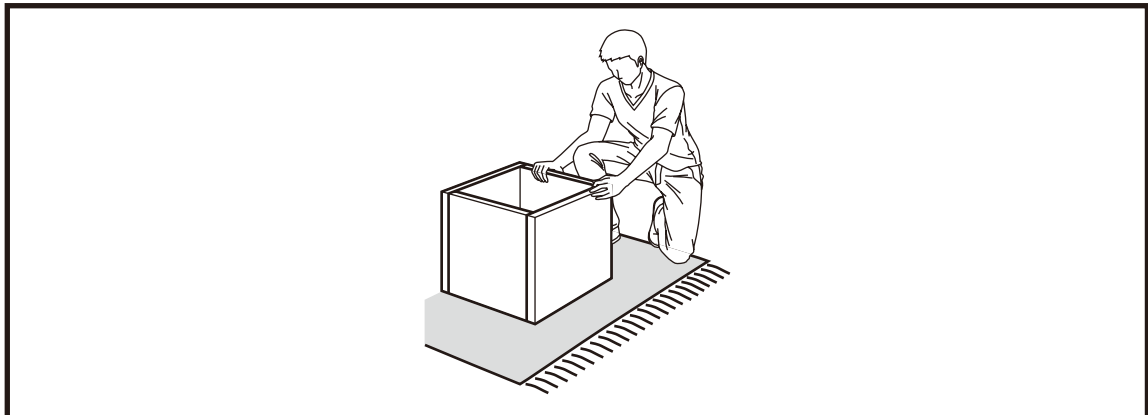




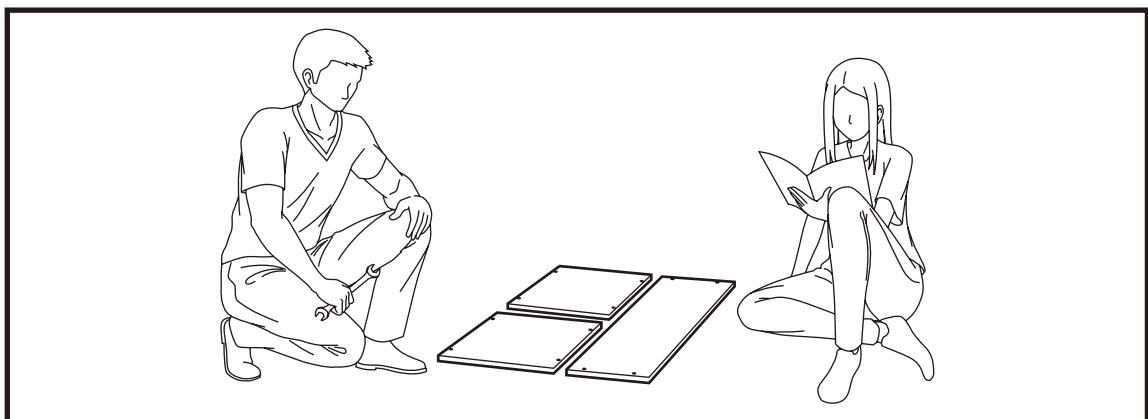
Warning

Serious or fatal crushing injuries may occur if the furniture tip-over. Furniture must permanently fixed to the wall with included anti-tipping device to prevent the furniture from tipping over.

Different wall materials requires different types of fixing device, Use suitable fixing device to secure the stability and load bearing capacity of the furniture. If you are uncertain about which type of fixing device to use, please contact your local hardware store.



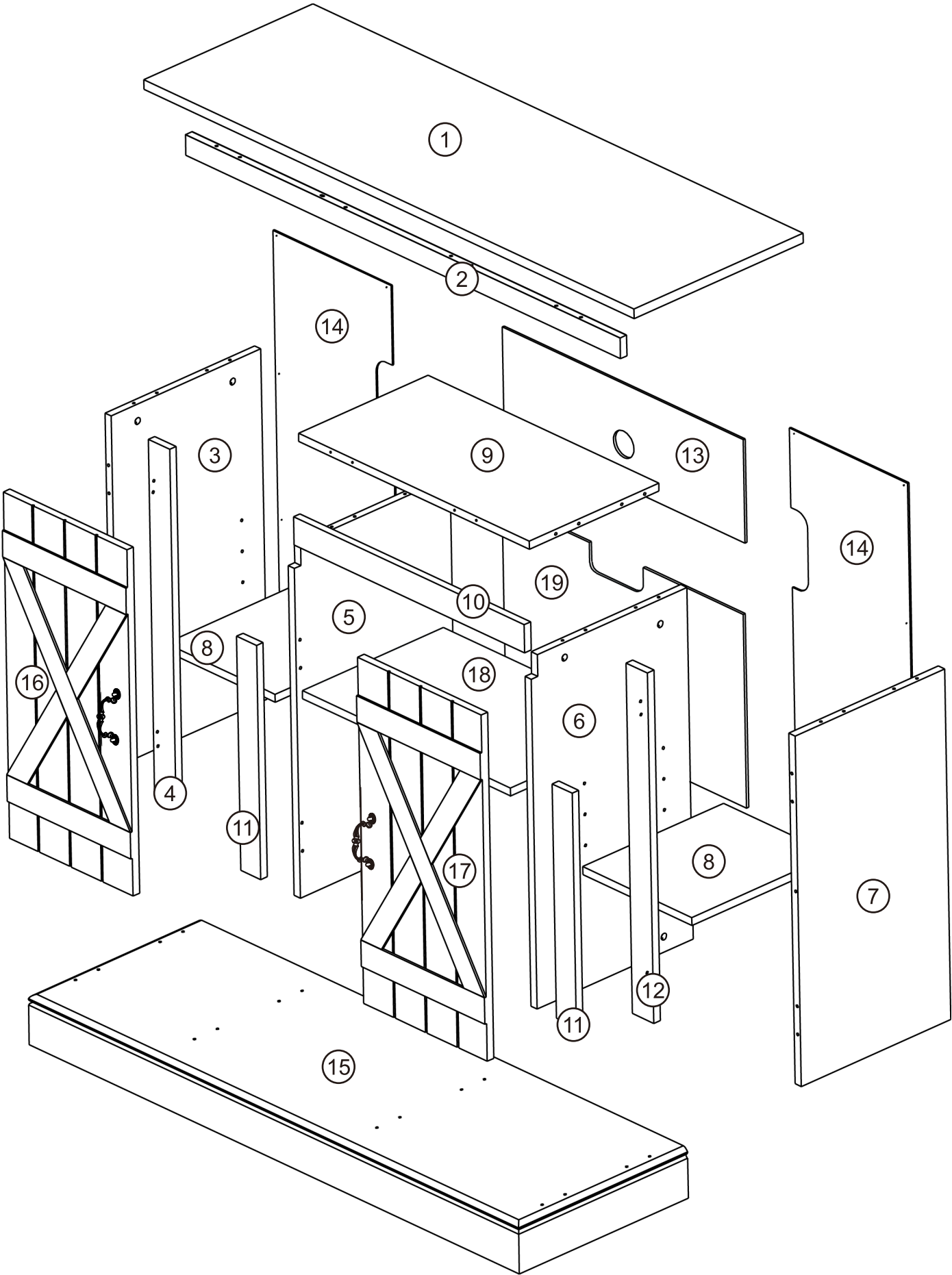
Assembly the furniture on empty carton, carpet, or rug to prevent scratches or damage.



This furniture requires 2 people to assembly.

Make sure no parts are missing or damaged before assembly.

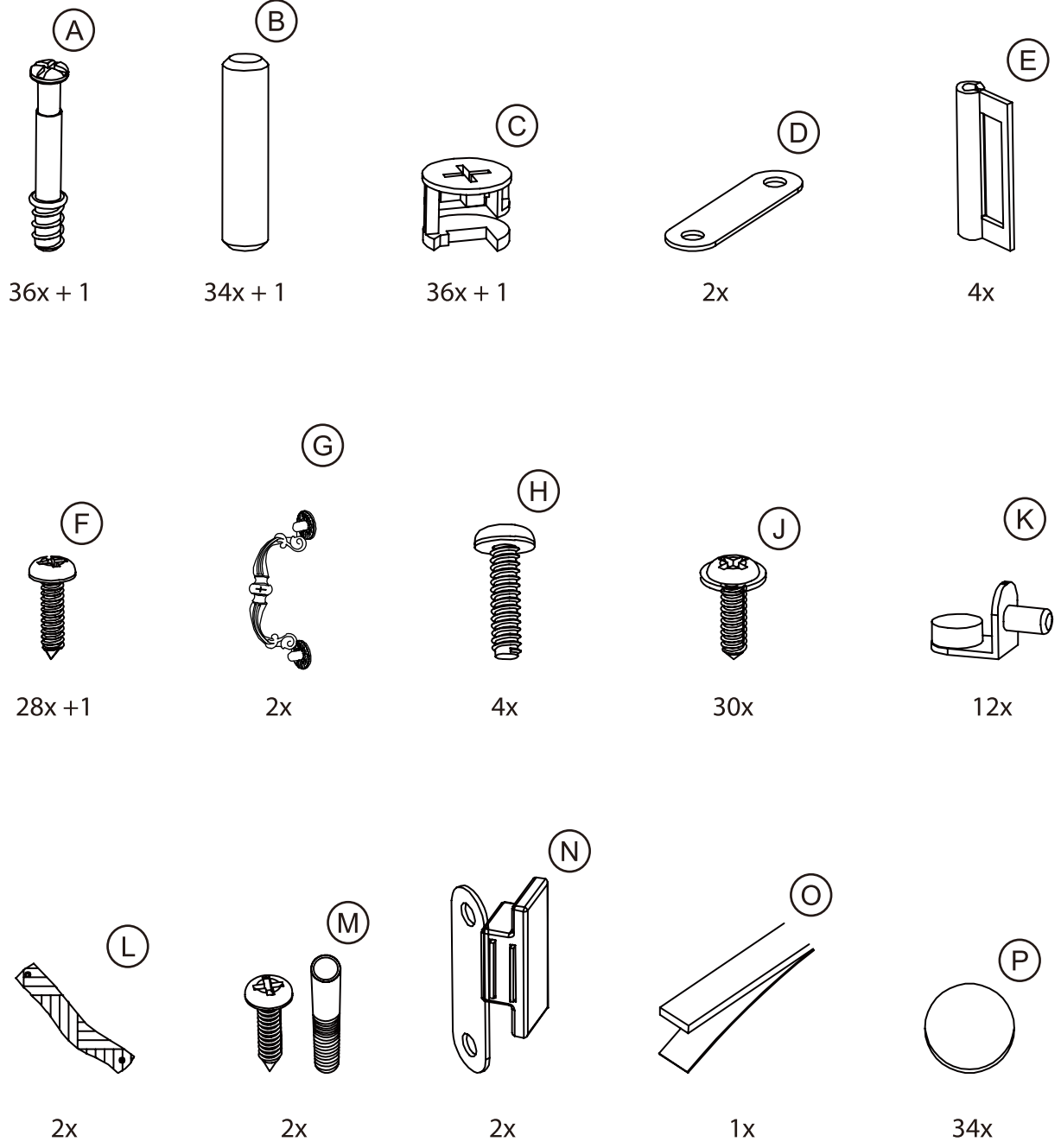
PACKAGE CONTENT



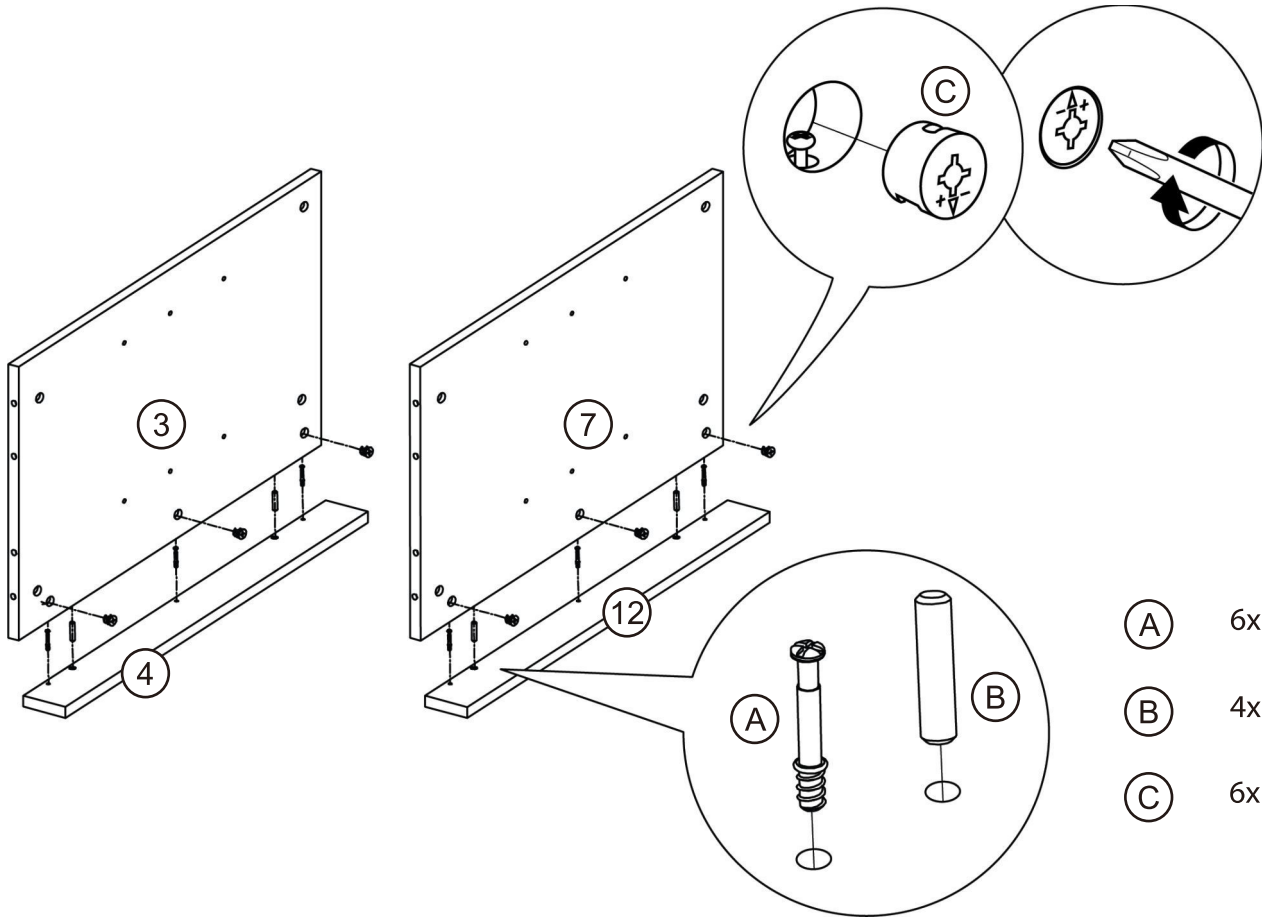
PACKAGE CONTENT

CODE	DESCRIPTION	QTY
1	Countertop Board	1
2	Lintel	1
3	Left Side Plate	1
4	Left Side Bar	1
5	Left Middle	1
6	Right Middle	1
7	Right Side Plate	1
8	Storage Board	2
9	Laminates	1
10	Center Bar	1
11	Lower Back Panel	2
12	Right Side Bar	1
13	Upper Back Panel	1
14	Lower Back Panel	2
15	Base Plate	1
16	Cabinet Door	1
17	Cabinet Door	1
18	Middle Storage Board	1
19	Middle Back Panel	1

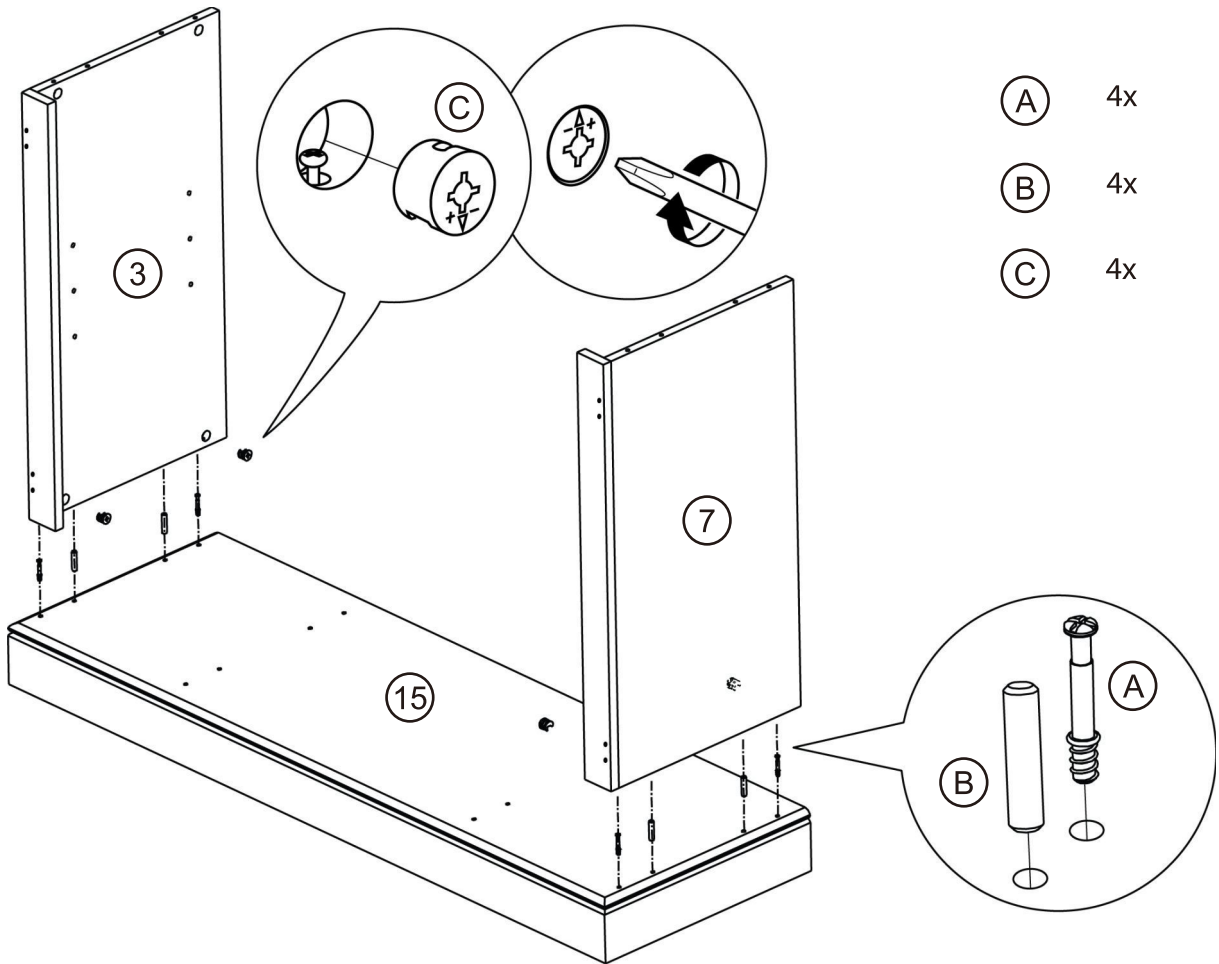
PACKAGE CONTENT



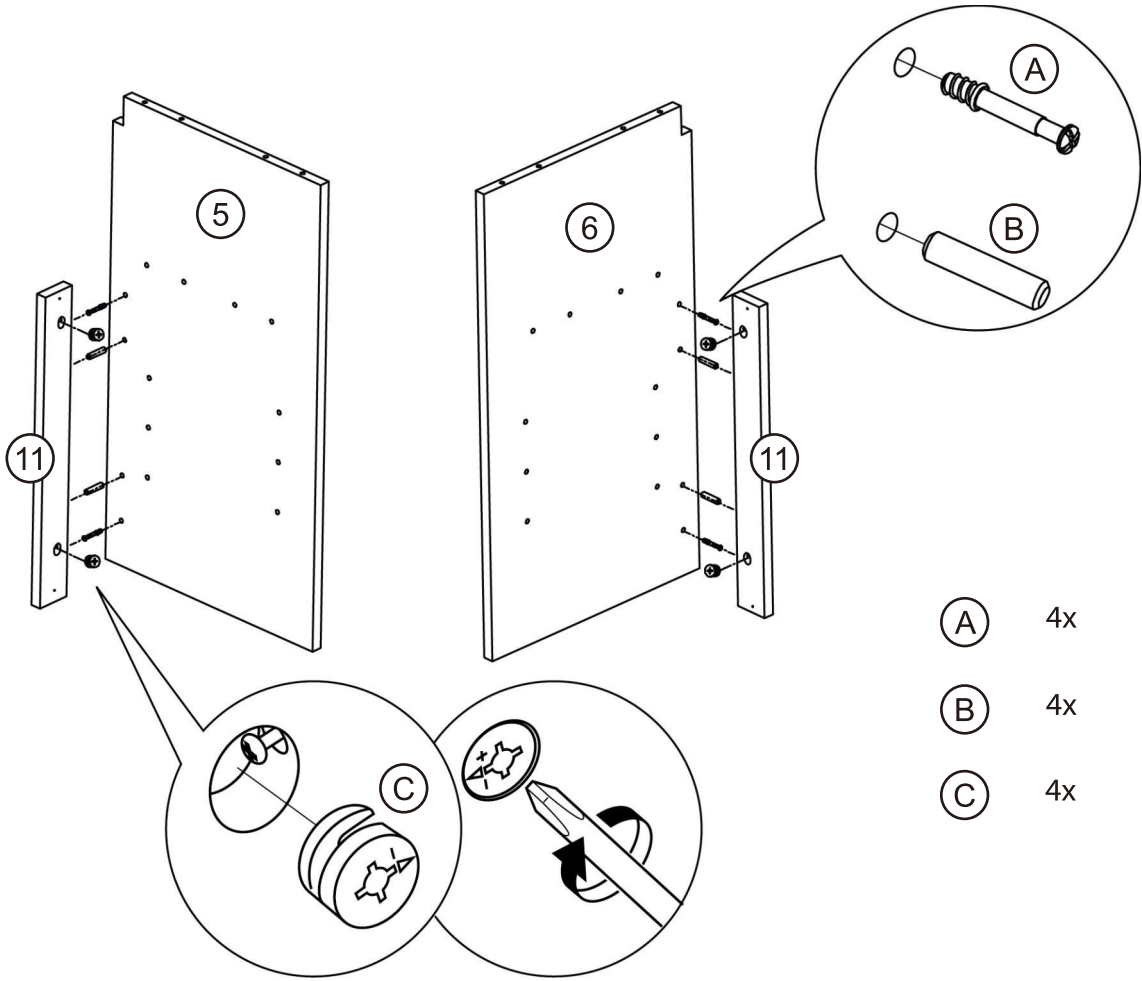
1



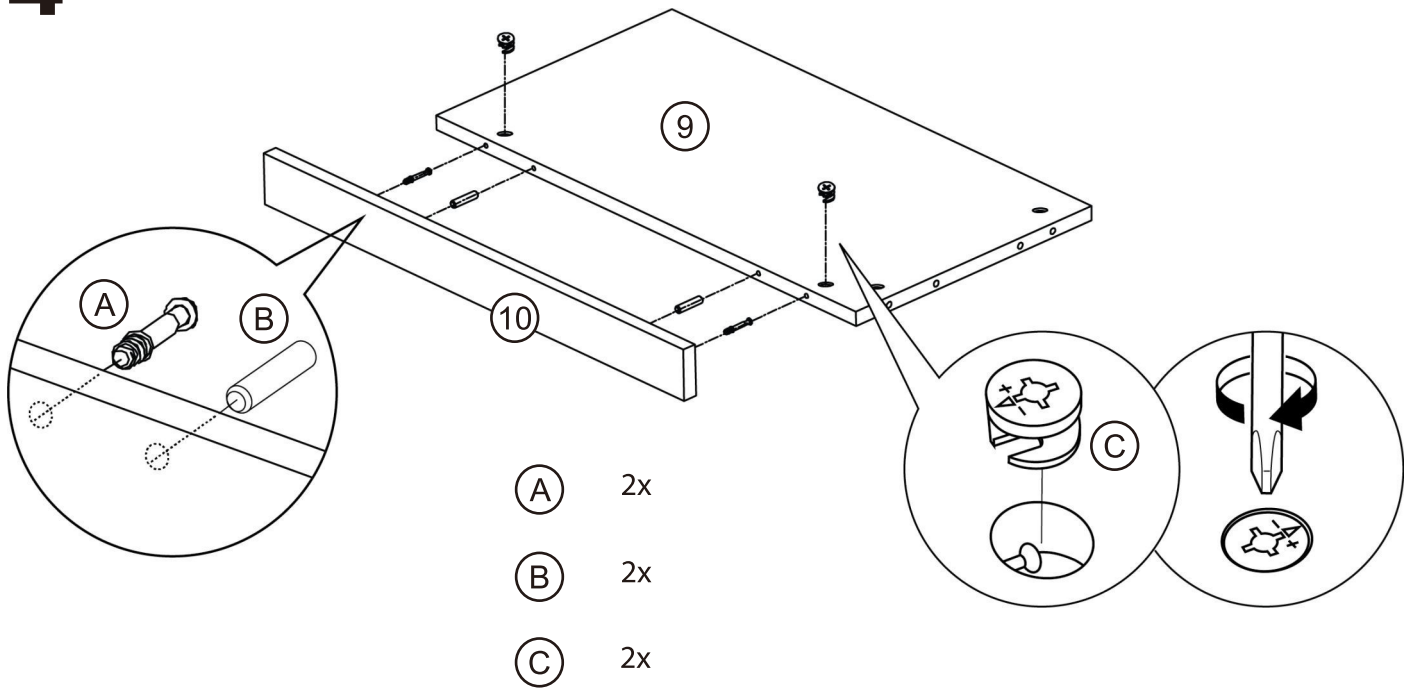
2



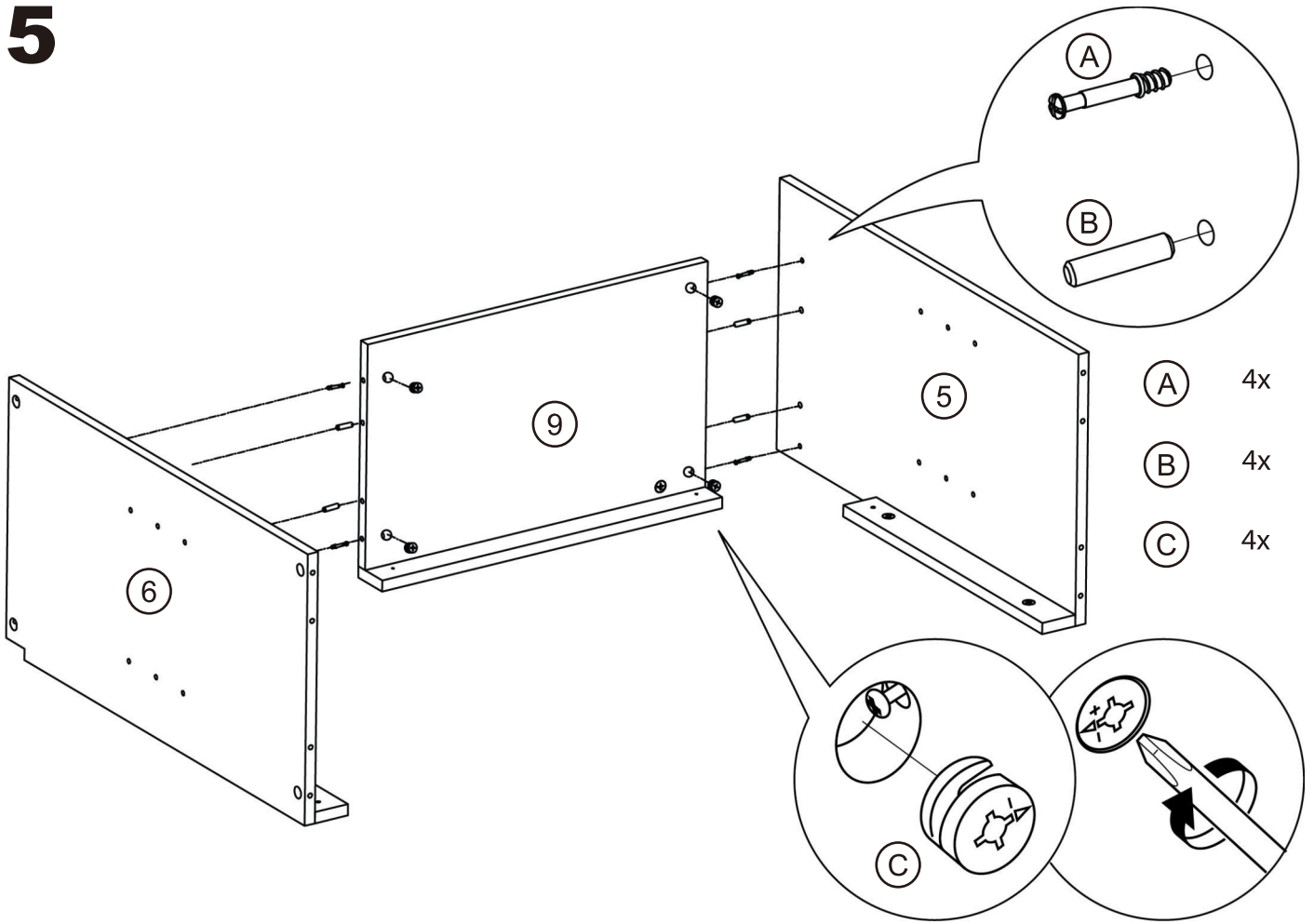
3



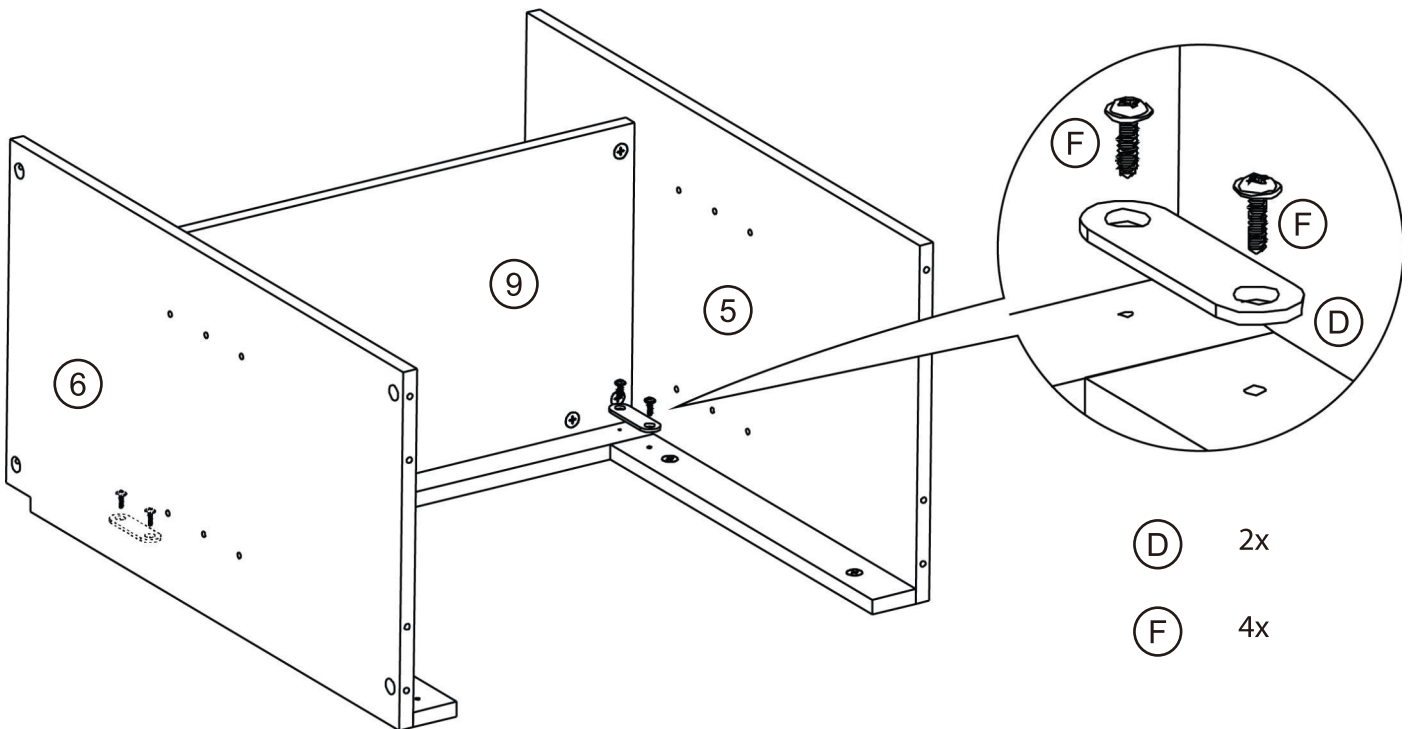
4



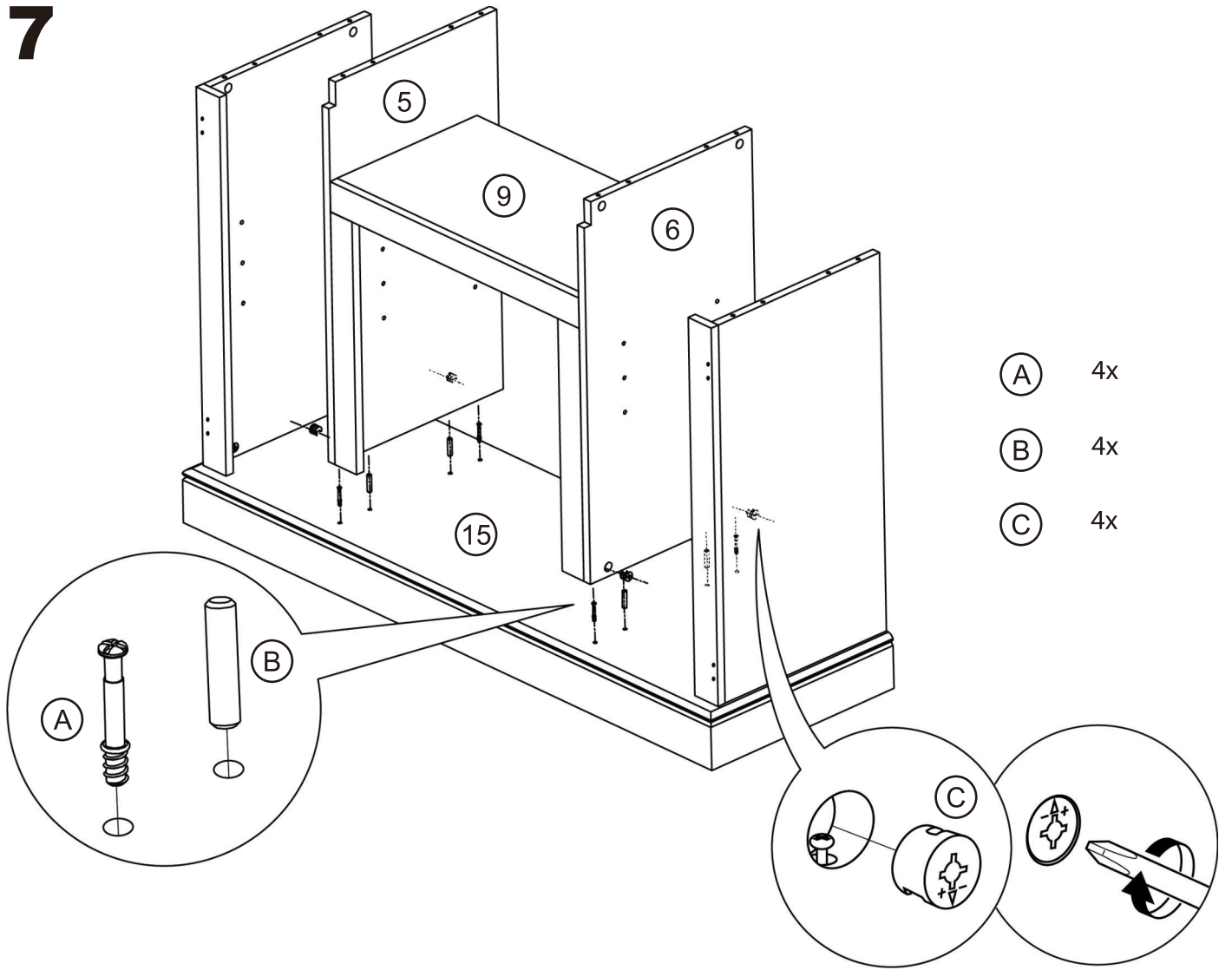
5



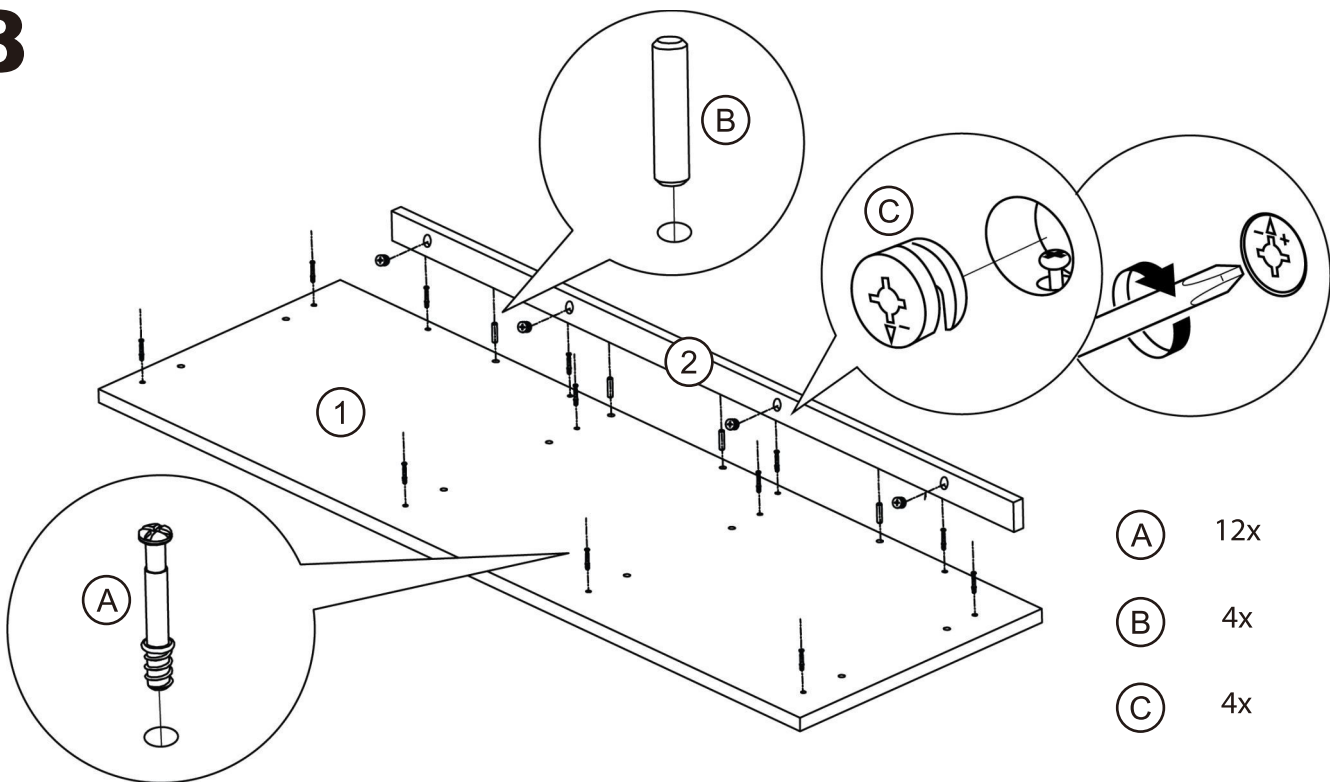
6



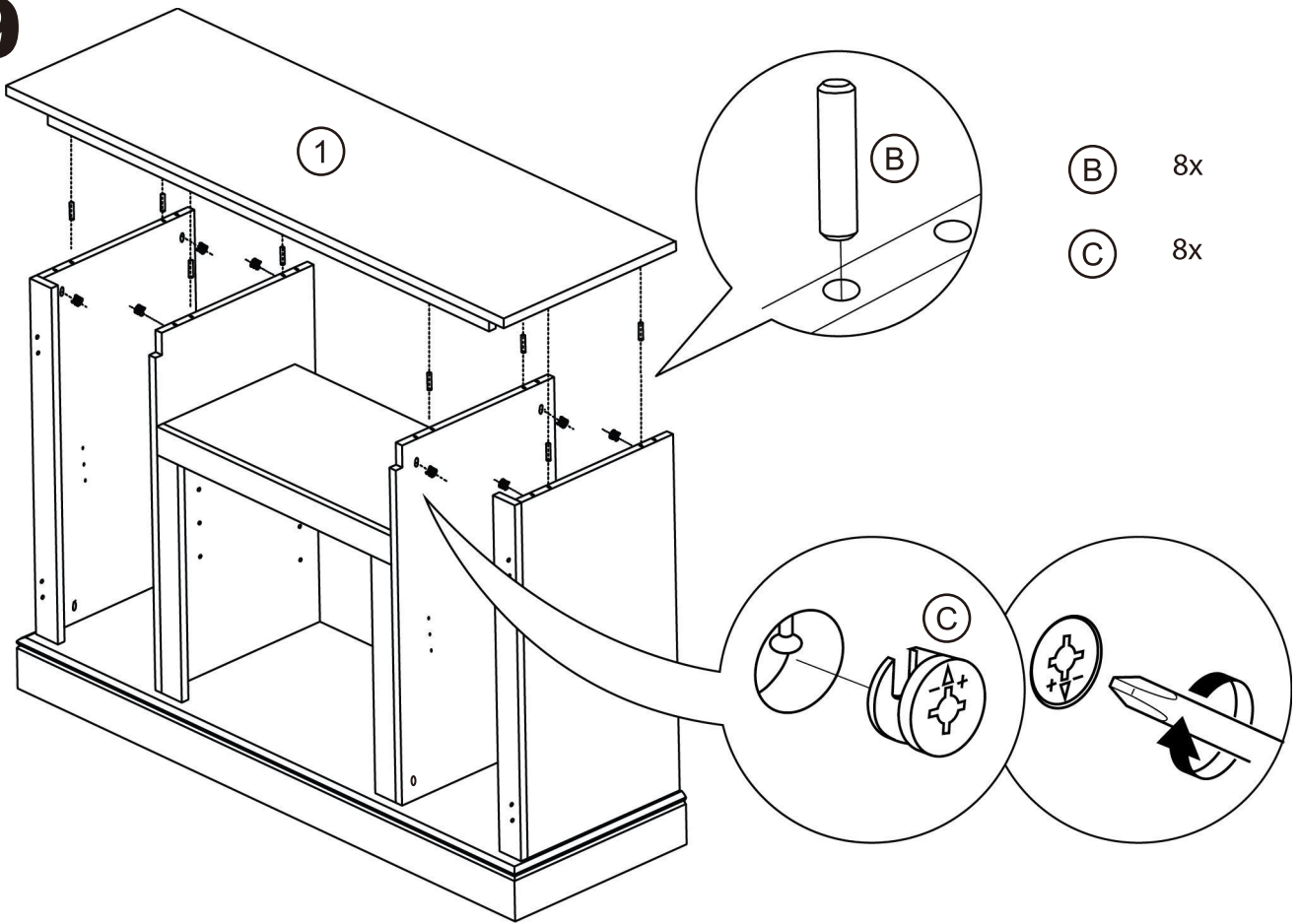
7



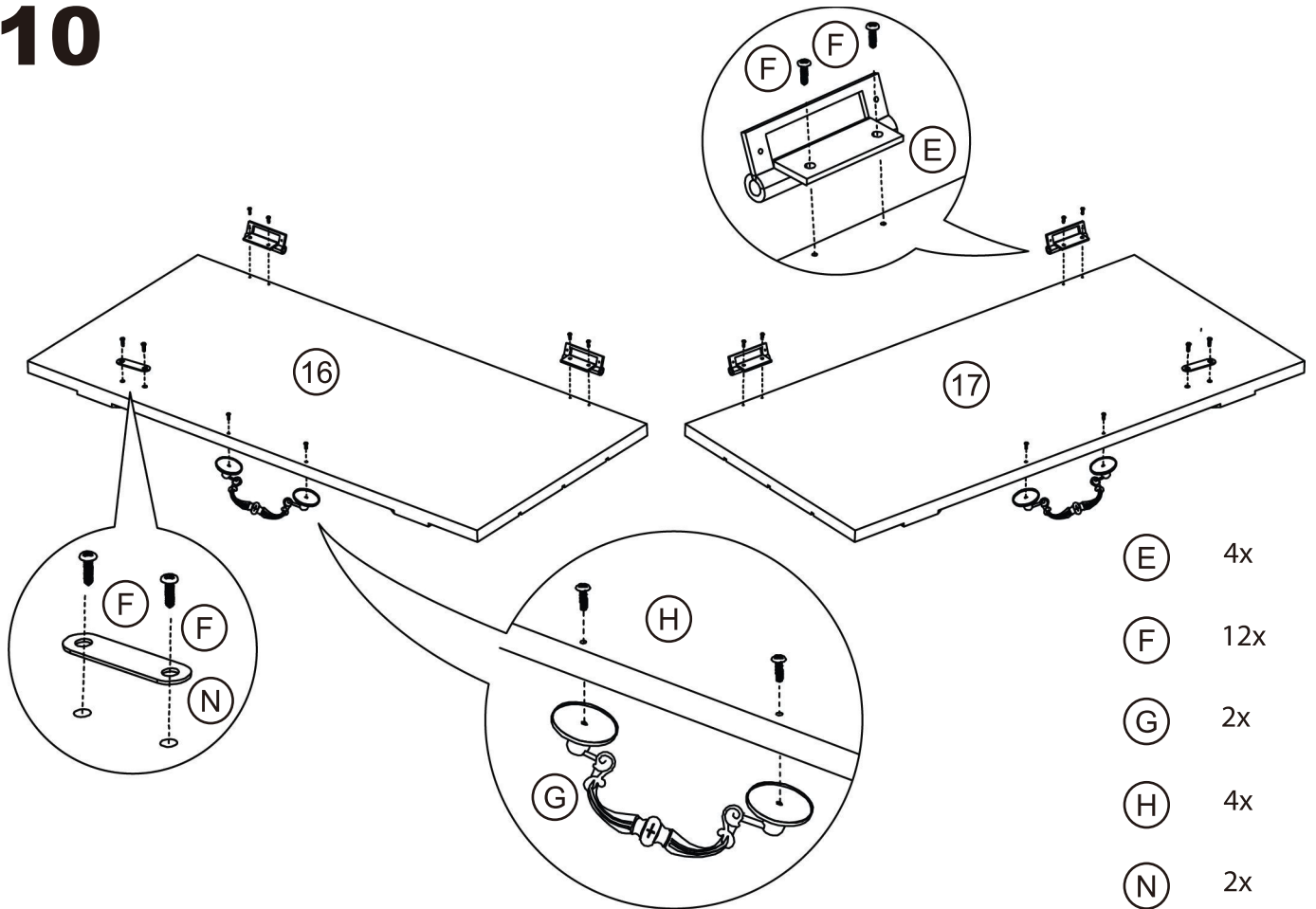
8



9



10

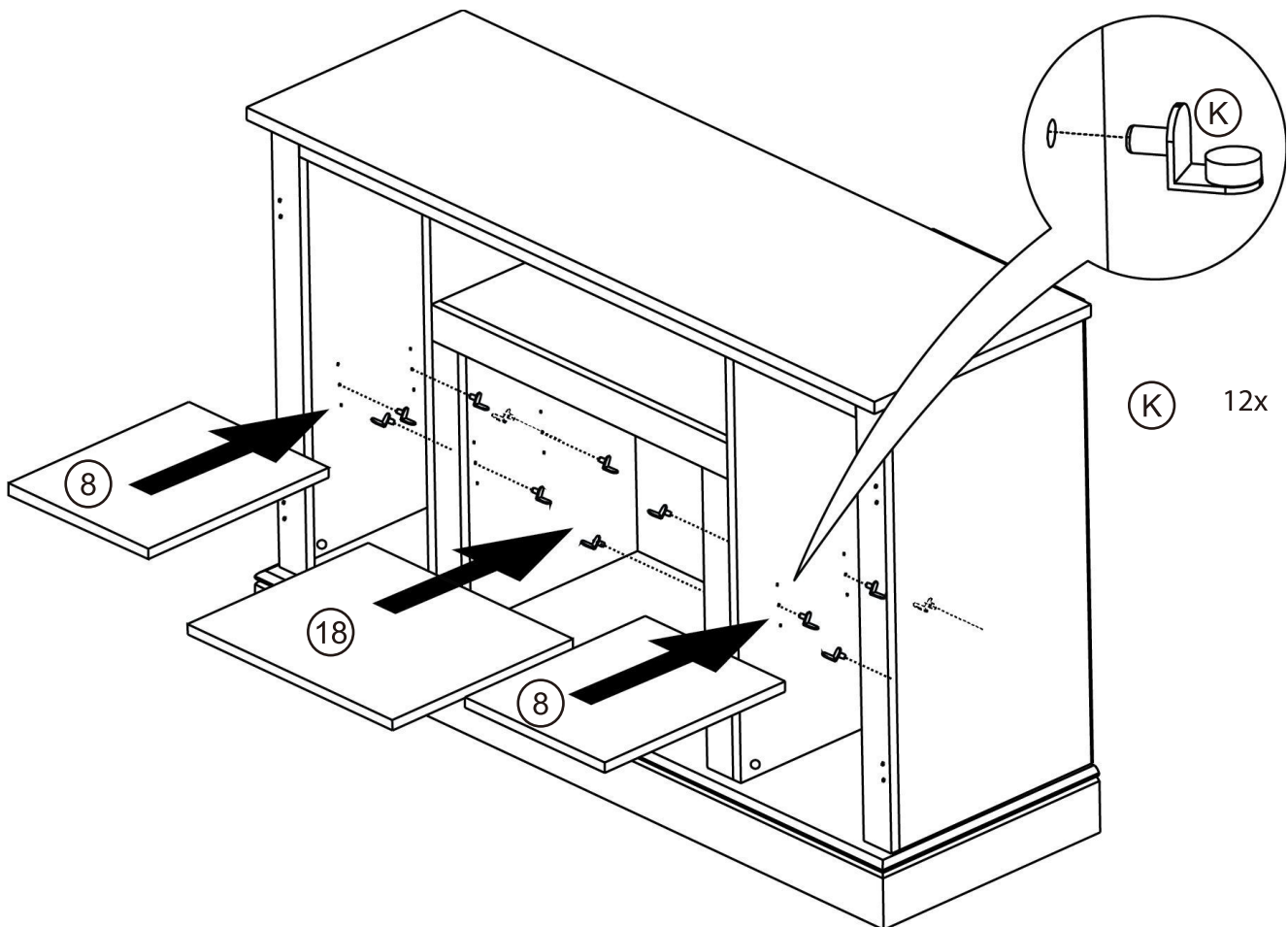


If you intended to use this product as a TV stand, continue the assemble instruction on Page 12.

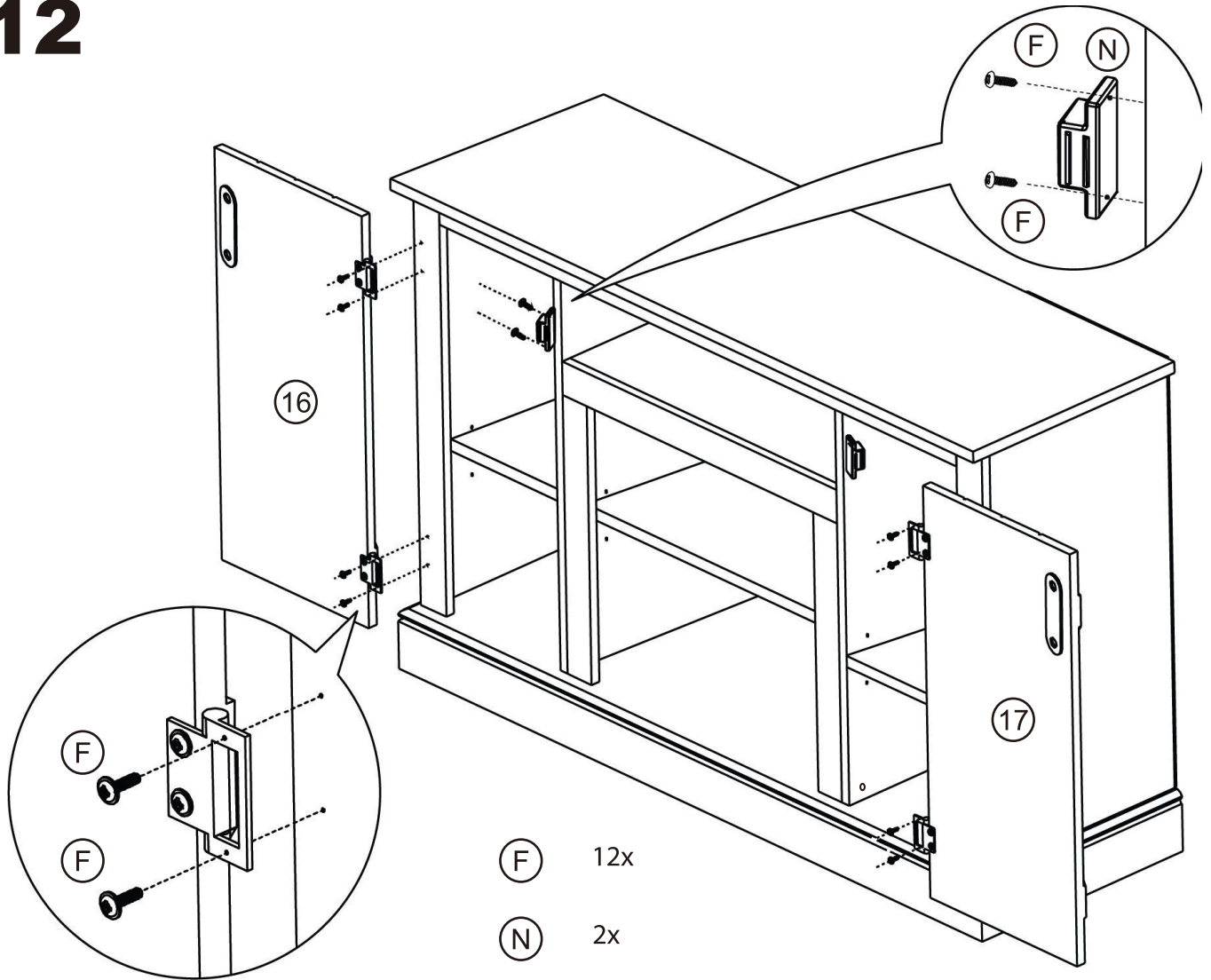
If you intended to use this product as a fireplace mantel, continue the assemble instruction on Page 16.

TV STAND ASSEMBLY

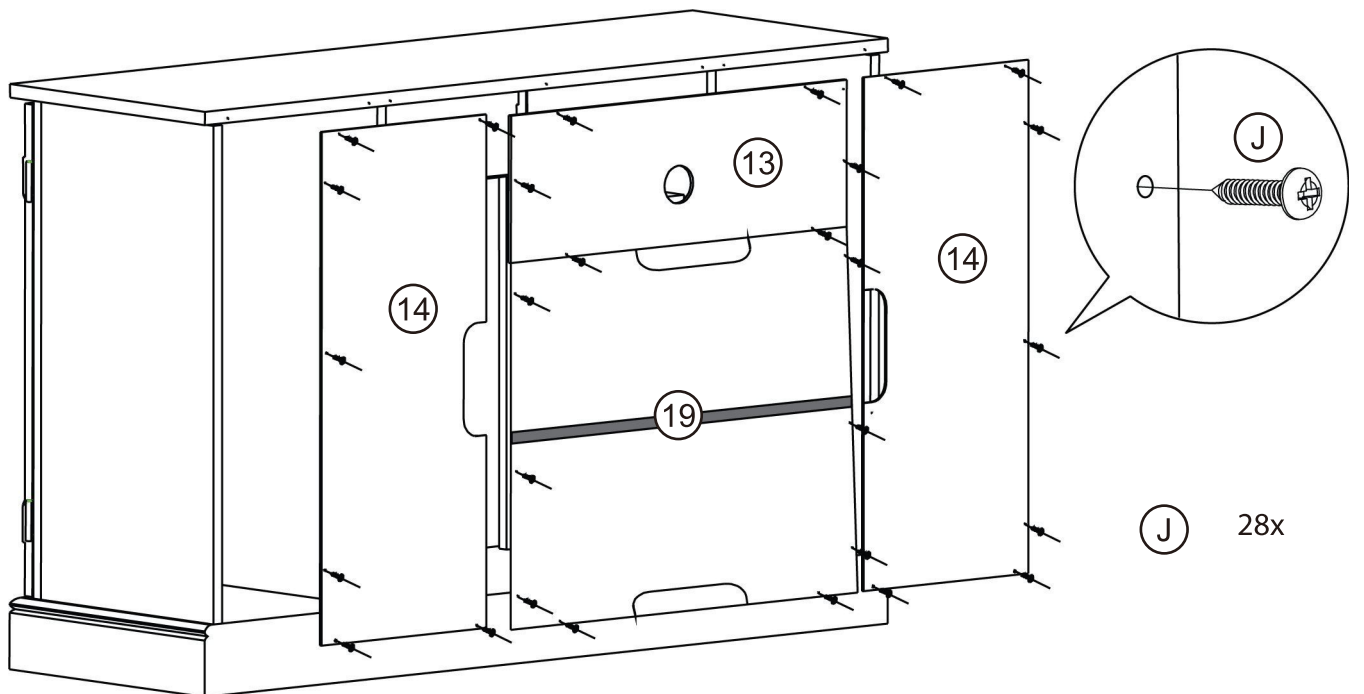
11



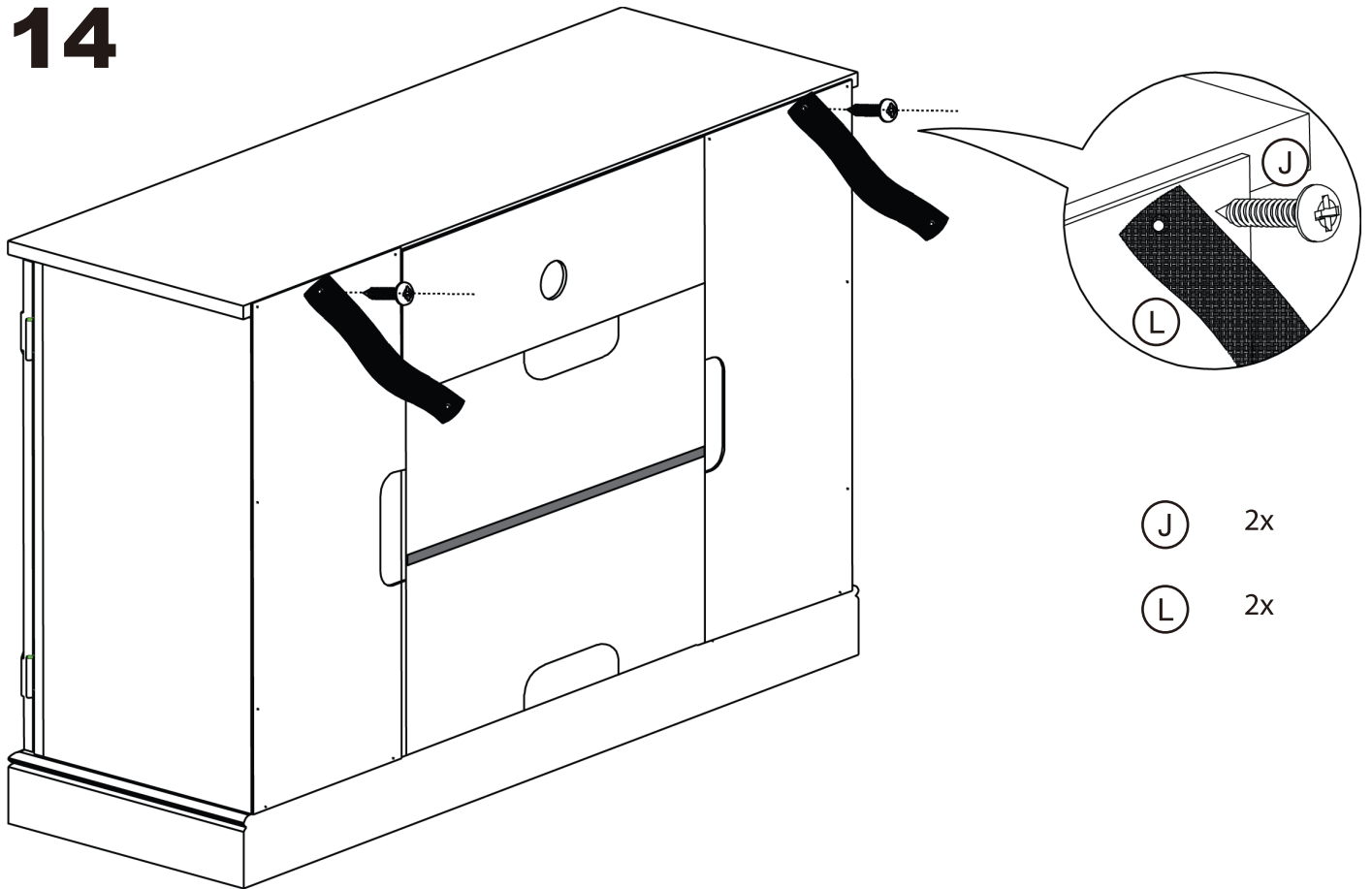
12



13



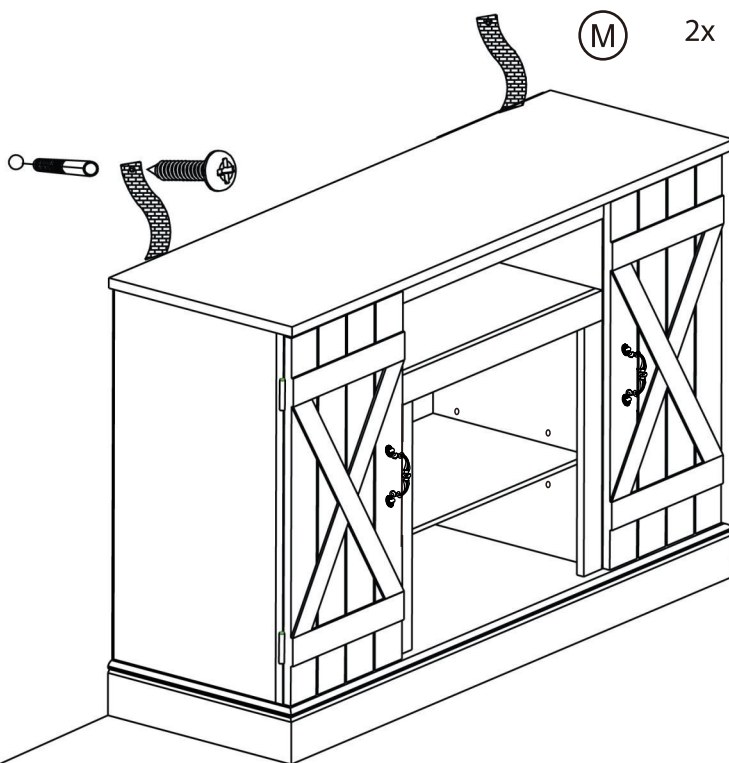
14



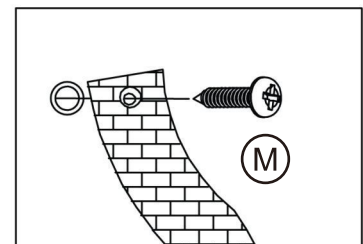
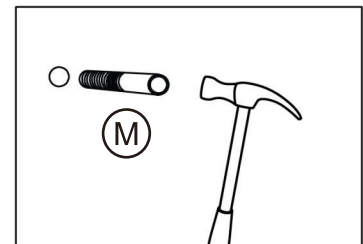
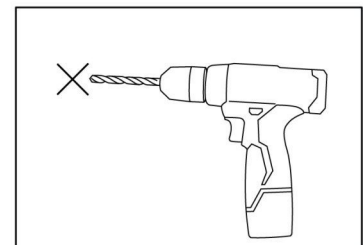
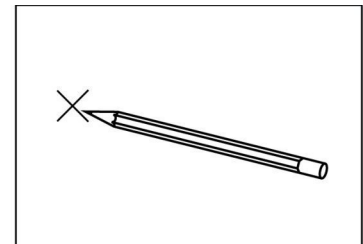
(J) 2x

(L) 2x

15



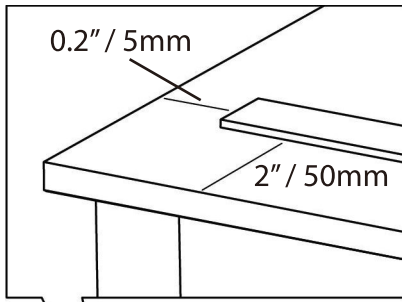
(M) 2x



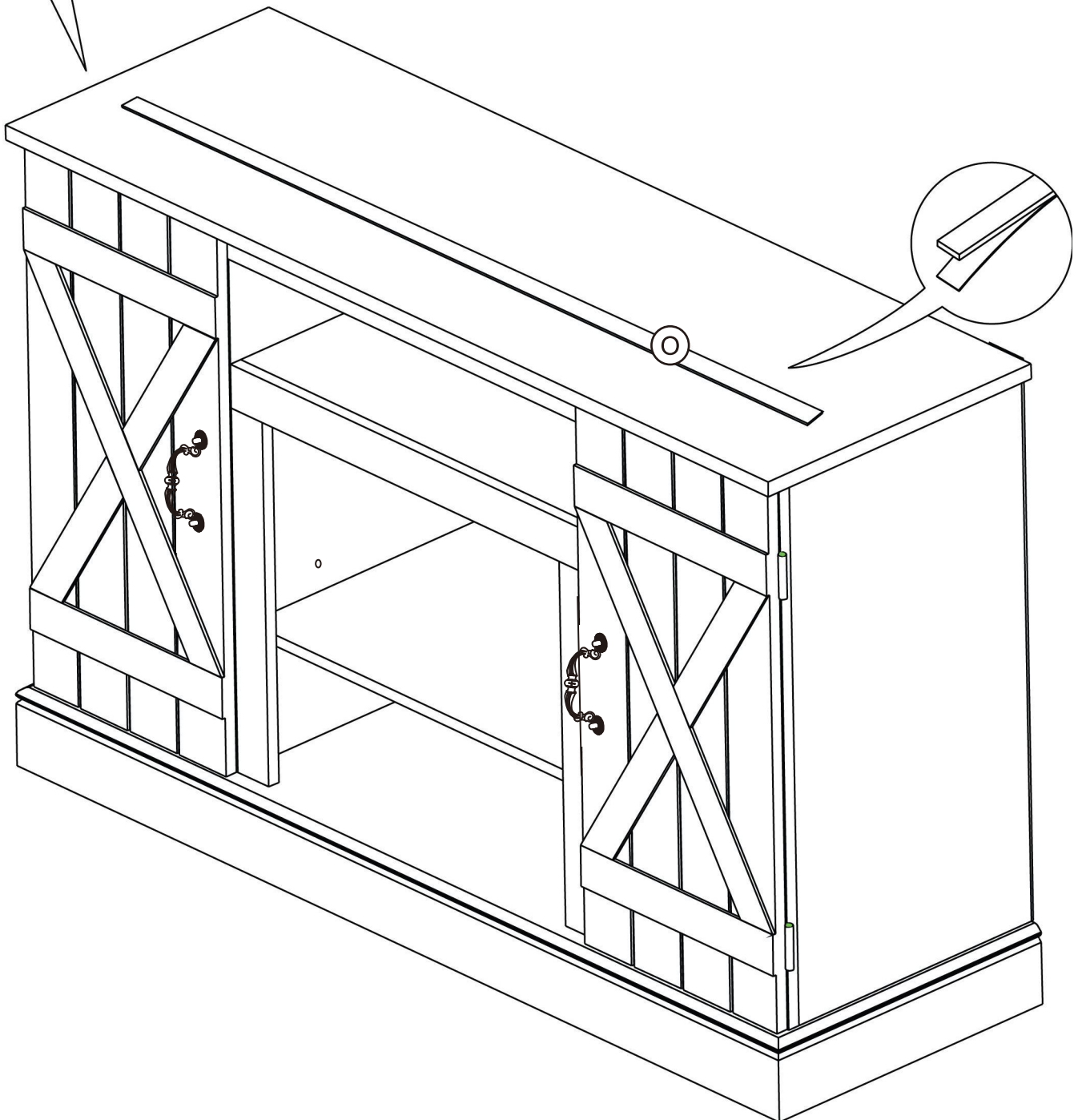
Furniture must permanently fixed to the wall stud with included anti-tipping device to prevent the furniture from tipping over.

- Mark the drill position on the wall with a pencil.
- Drill a small hole on the marked position.
- Insert a wall anchor into the drilled hole.
- Fixed the anti tipping strap to the wall with provided screws.

16 OPTIONAL ASSEMBLY



⊙ 1x

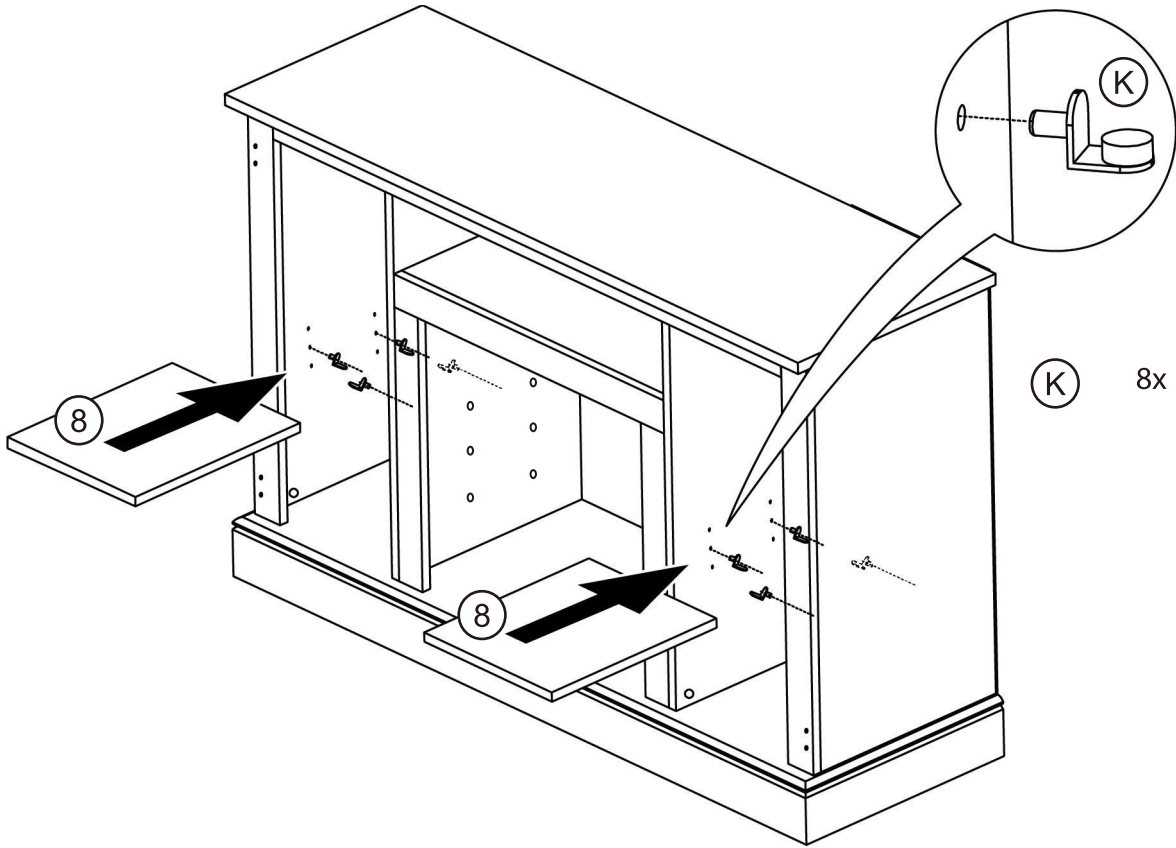


NOTE: put the TV behind to the wood trim to prevent fall off.

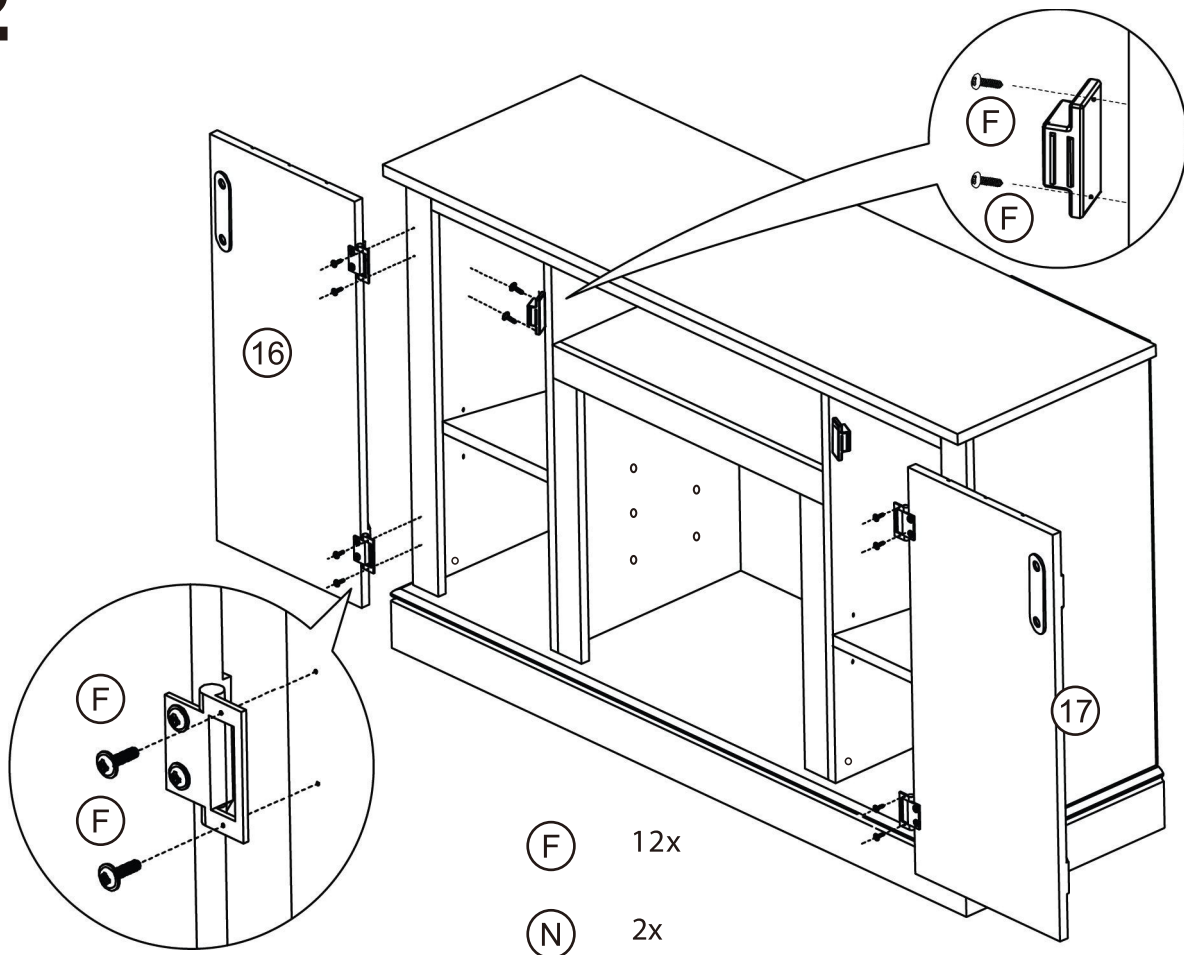
FINISH!

FIREPLACE MANTEL ASSEMBLY

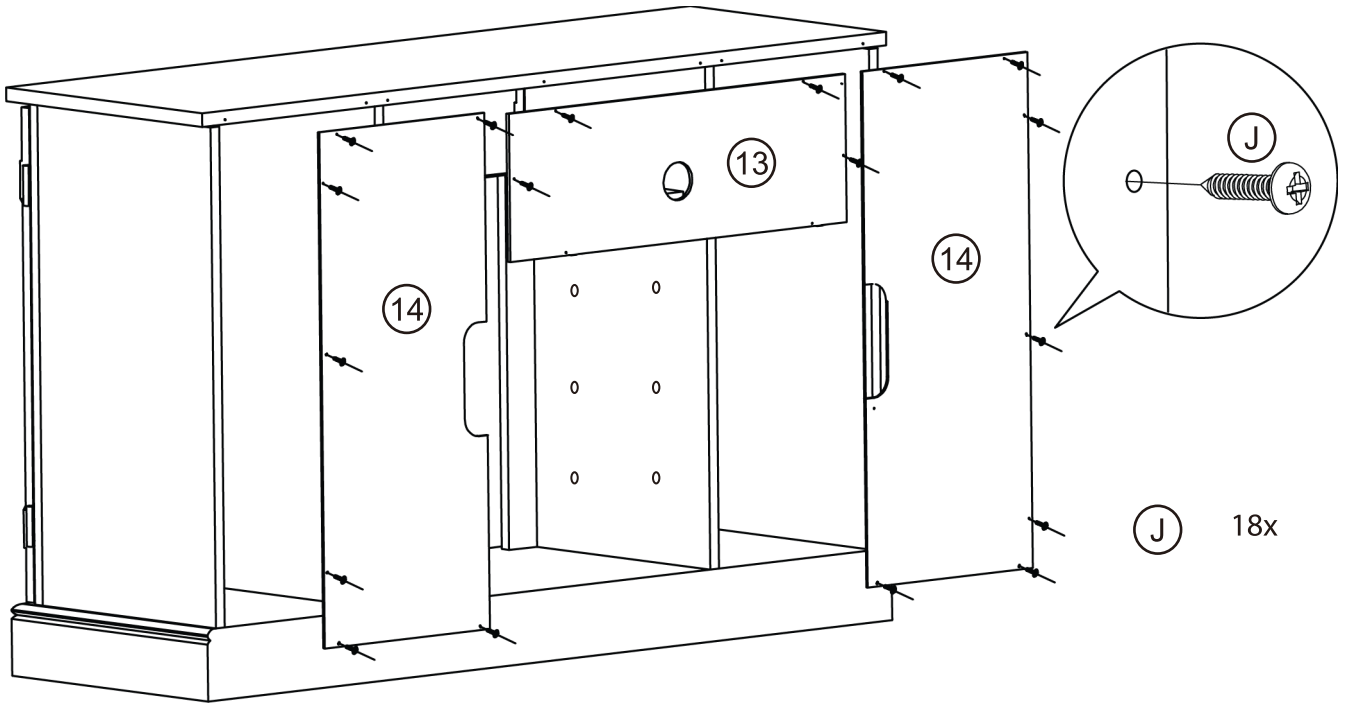
11



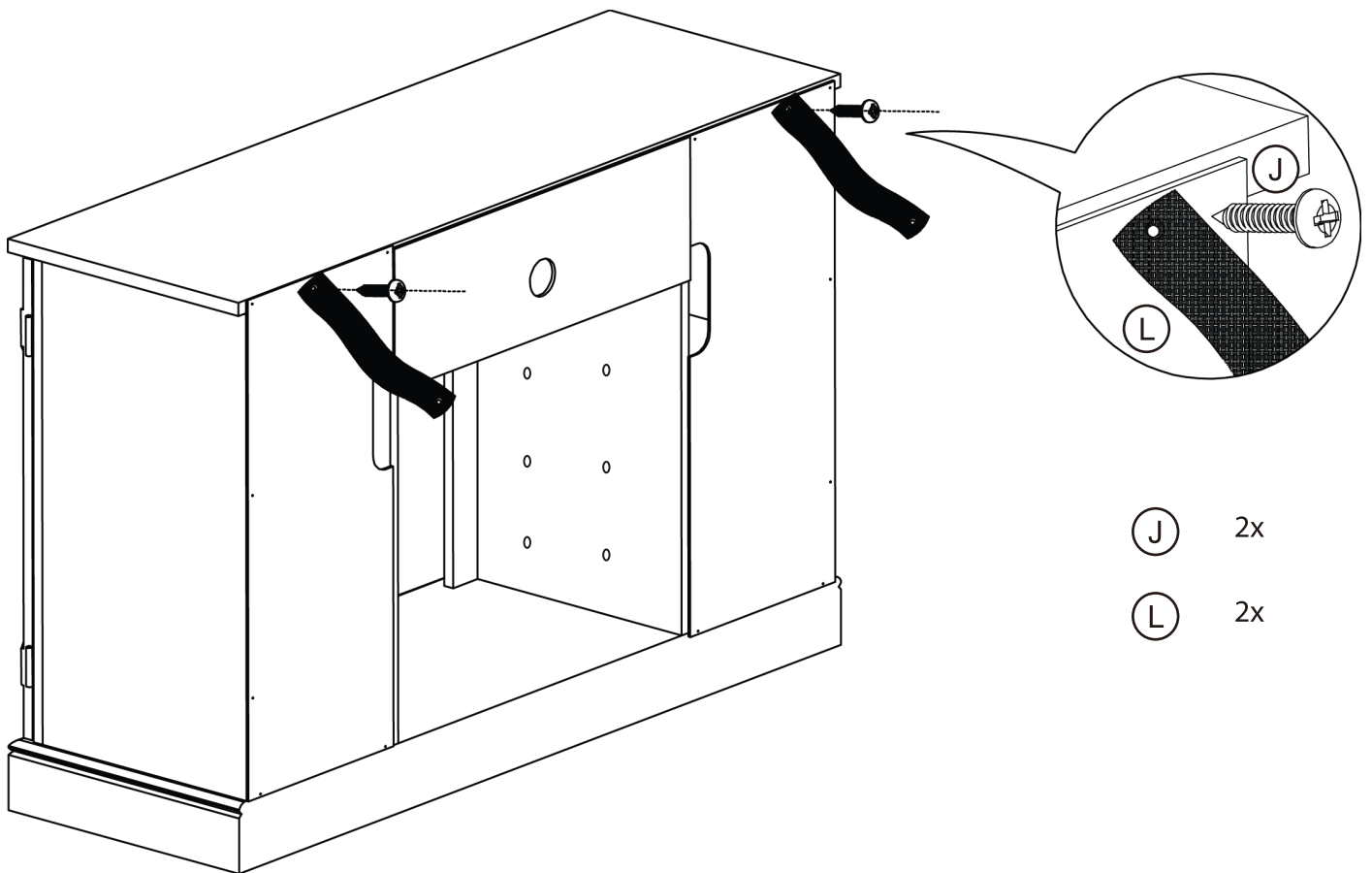
12



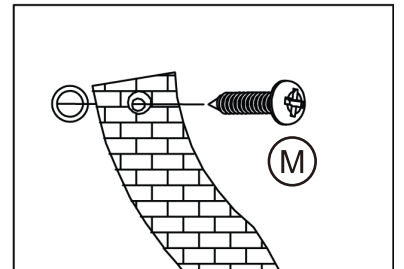
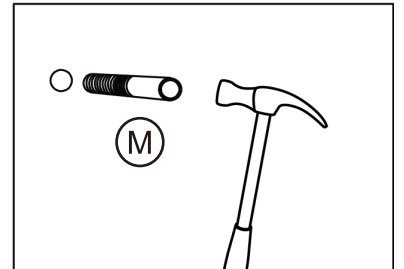
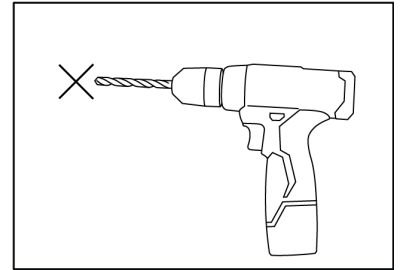
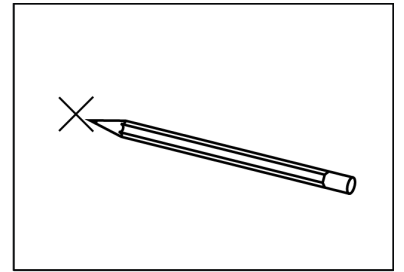
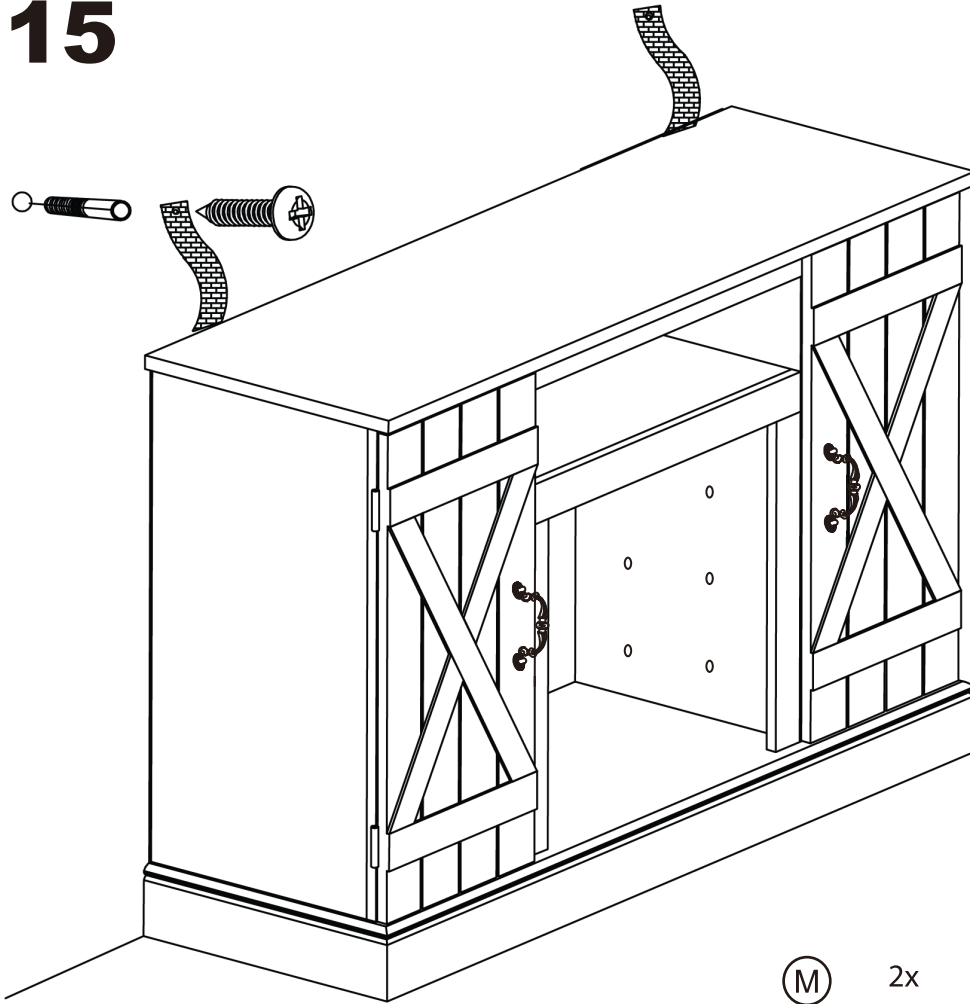
13



14



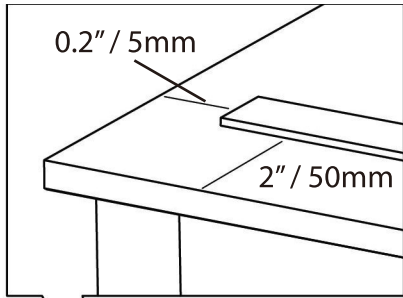
15



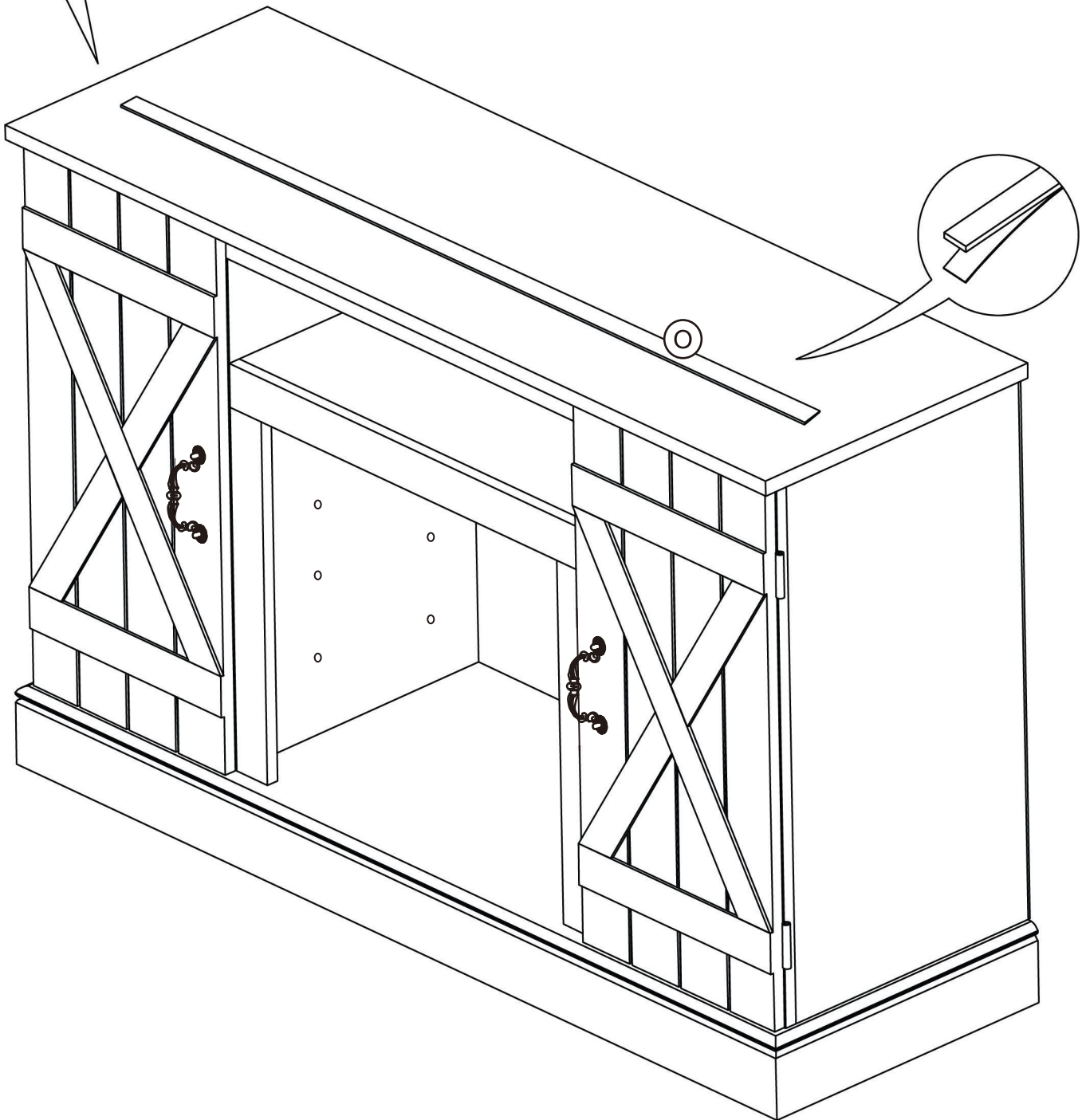
Furniture must permanently fixed to the wall stud with included anti-tipping device to prevent the furniture from tipping over.

- Mark the drill position on the wall with a pencil.
- Drill a small hole on the marked position.
- Insert a wall anchor into the drilled hole.
- Fixed the anti tipping strap to the wall with provided screws.

16 OPTIONAL ASSEMBLY

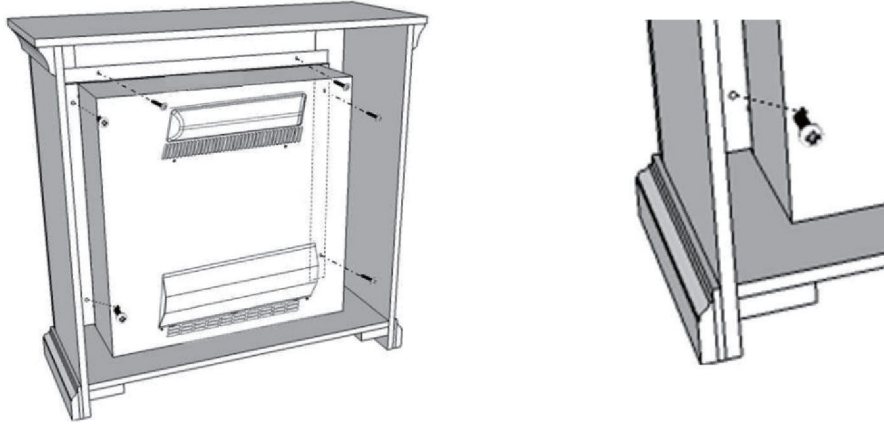


⊙ 1x



NOTE: put the TV behind to the wood trim to prevent fall off.

FINISH!



FIREPLACE INSTALLATION

If you decide to install the fireplace into the mantel, carefully set the unit from the back of the mantel and center it in the opening.

Check the alignment and attach the unit to the mantel by inserting screws through the drilled holes on the trim to the mantel.

NOTE: Do not attempt to install the unit from the front of the mantel. It will not fit.

Thank you for your purchase. We want your item to last as long as possible. To ensure the product gives you years of service, please refer to this care and maintenance guide.



MAINTENANCE

- Tighten all bolts and screws again within the first 2 weeks of assembly.
- Check the tightness of all bolts every 2 months, tighten them if necessary.



CLEANING

- Clean the surface of the MDF (medium - density fiberboard) with a lightly dampened cloth.
- Small amount of mild soap can be used if necessary.
- Dry the surface immediately after cleaning.

⚠ DO NOT use bleach or alcohol detergent to clean the surface.

⚠ DO NOT apply wood treatment on parts made with MDF.

Medium - density fiberboard will swell and distort when suffer from water damage. Make sure to dry the furniture immediately after cleaning.

WARNING

Manufacturer and seller expressly disclaim any and all liability for personal injury, property damage or loss, whether direct, indirect, or incidental, resulting from the incorrect attachment, improper use, inadequate maintenance, unapproved modification, or neglect of this product.