



**Gardening  
Made Easier.  
Anytime,  
Anywhere.**

---

## **Contact Us**



+1 (866) 597-1888



Vego Garden Academy



hello@vegogarden.com



vegogarden.com



vego\_garden



Houston, TX



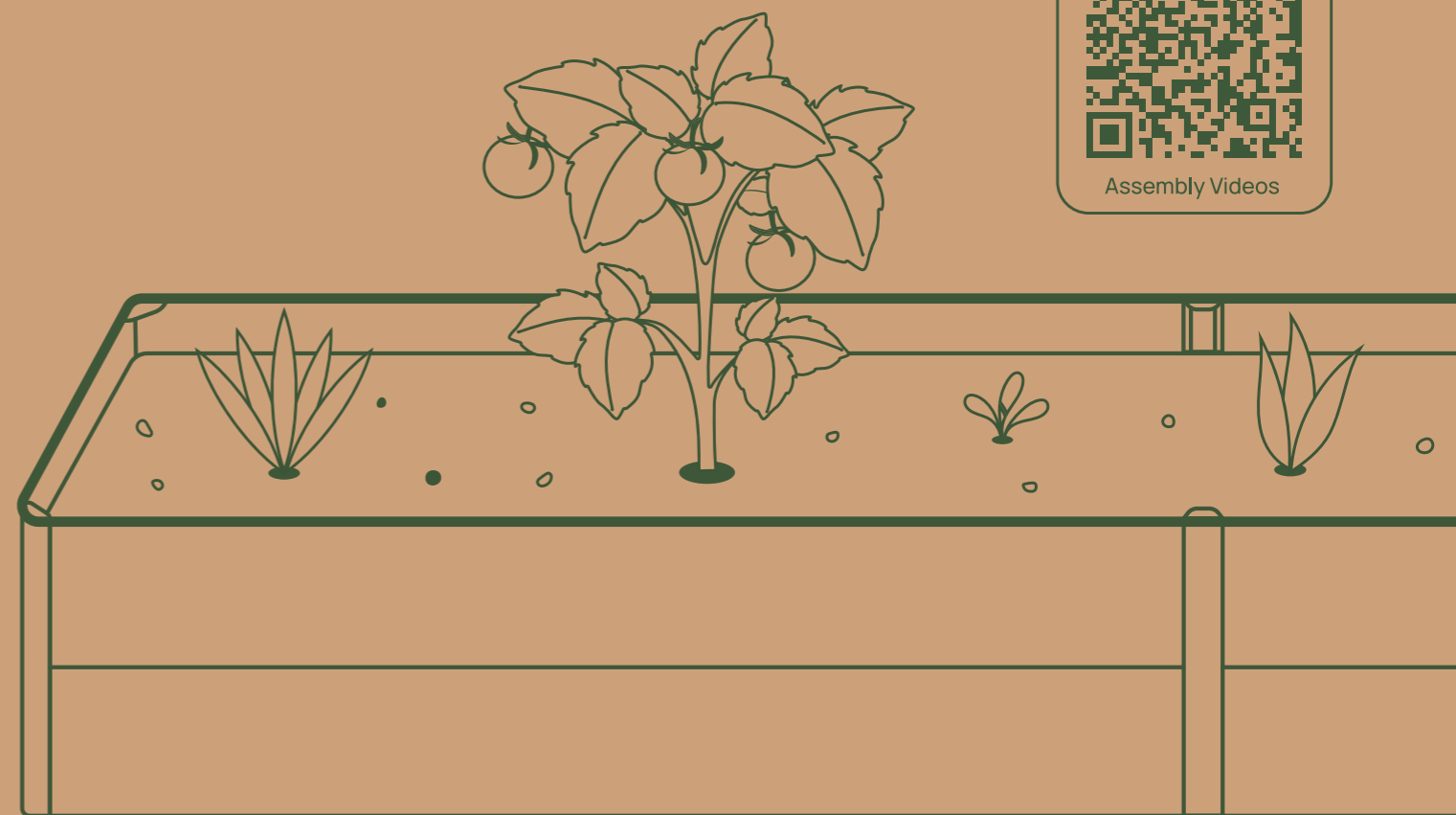
# General Manual for EverGrove Metal Raised Garden Bed

Gardening Made Easier. Anytime, Anywhere.

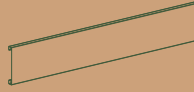

Copyright © 2024 Vego



Assembly Videos



## Parts List

Configuration	4ft x 8ft	4ft x 4ft	2ft x 8ft
<b>Part Name</b>			
4ft Metal Slat 	12	8	8
2ft Metal Slat 			4
Bracing Bar 	1		2
In-line Connector 	2		2
Corner Post 	4	4	4
S1 Aluminum Cap 	4	4	4
S2 Aluminum Cap 	2		2
F1 Bolt 	2		4
F2 Bolt 	48	32	48
F3 Cap Nut 	2		4
Aluminum Logo 	1	1	1
Wrench 	1	1	1
Glove 	1	1	1

Visit [vegogarden.com](http://vegogarden.com) for more info.

## Assembly Tips

- Additional tools are needed to complete this assembly, see below:

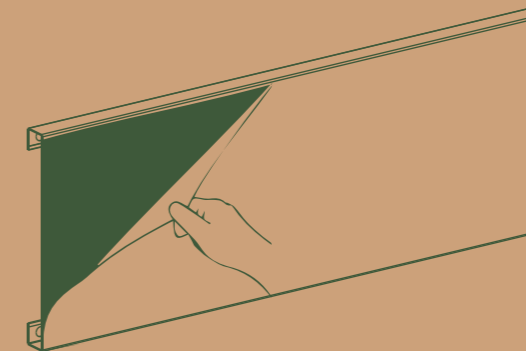
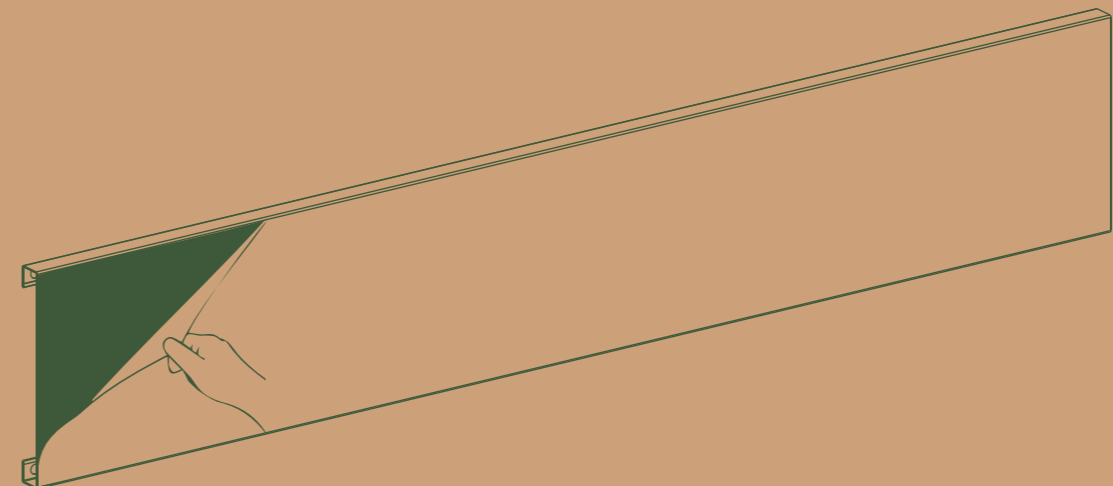


- During assembly, we recommend placing the unpacked box flat on the ground to serve as a protective mat.

## Assembly Guide

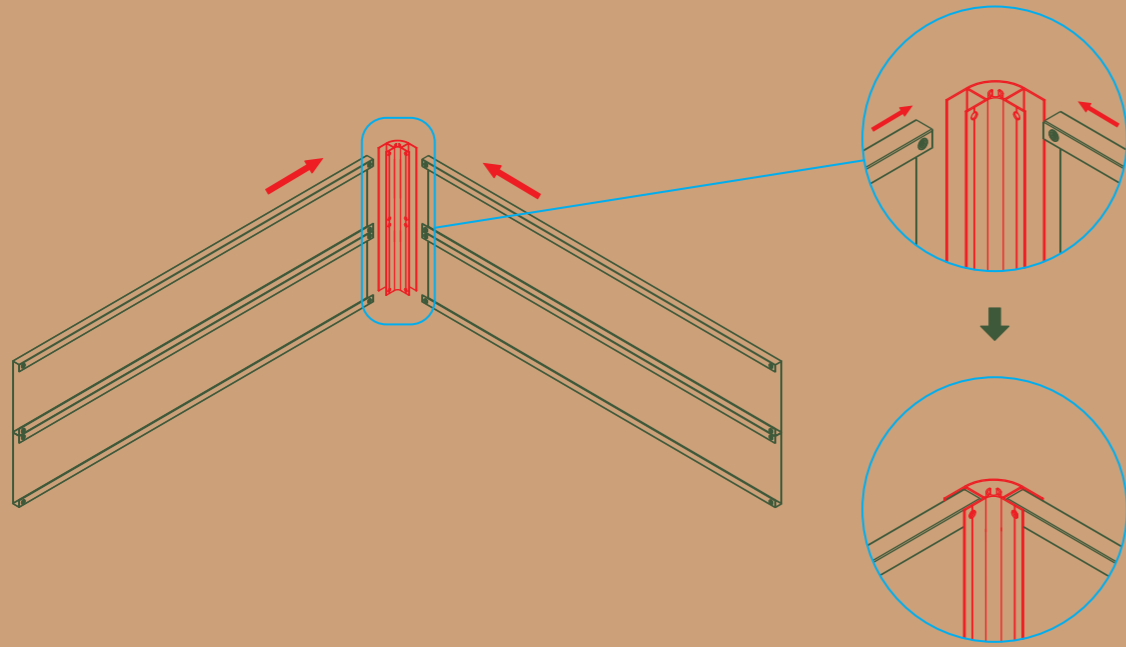
[www.vegogarden.com/assembly](http://www.vegogarden.com/assembly)

- To safeguard the product's surface during transportation, a protective film is applied to the exterior of each slat. Please remove the film before assembly.

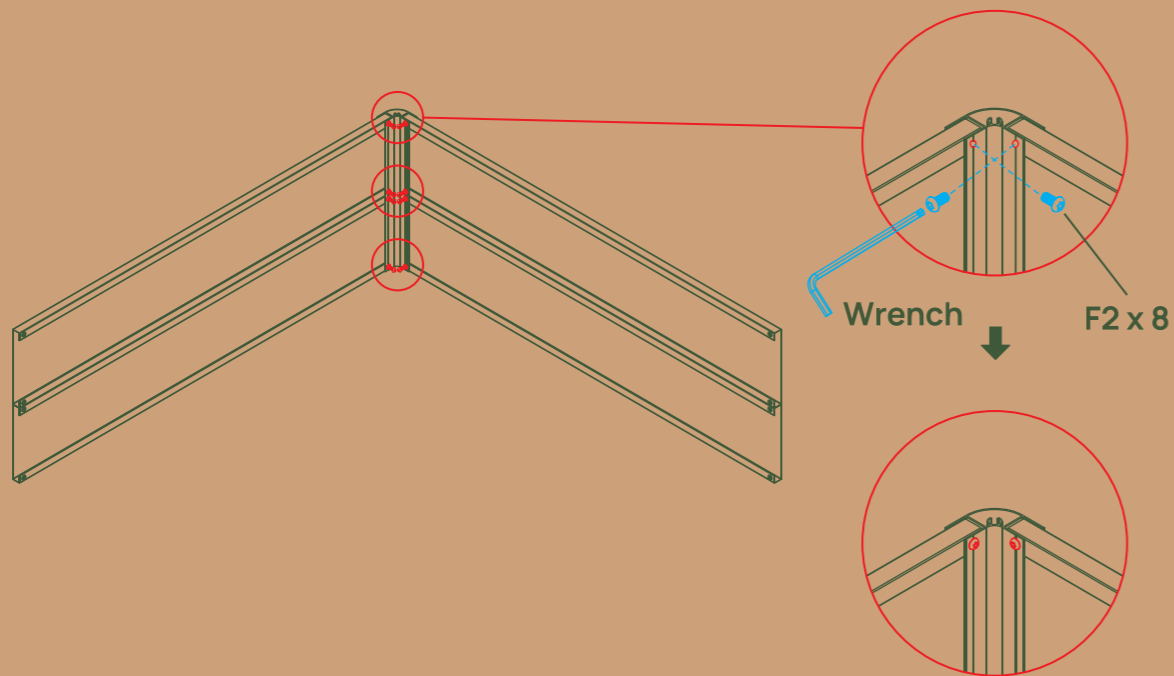


Visit [vegogarden.com](http://vegogarden.com) for more info.

- 2** Start assembling the Evergrove Garden Bed from any corner. First, insert the metal slat into the corner post from the side, aligning the holes on the metal slat with those on the corner post.

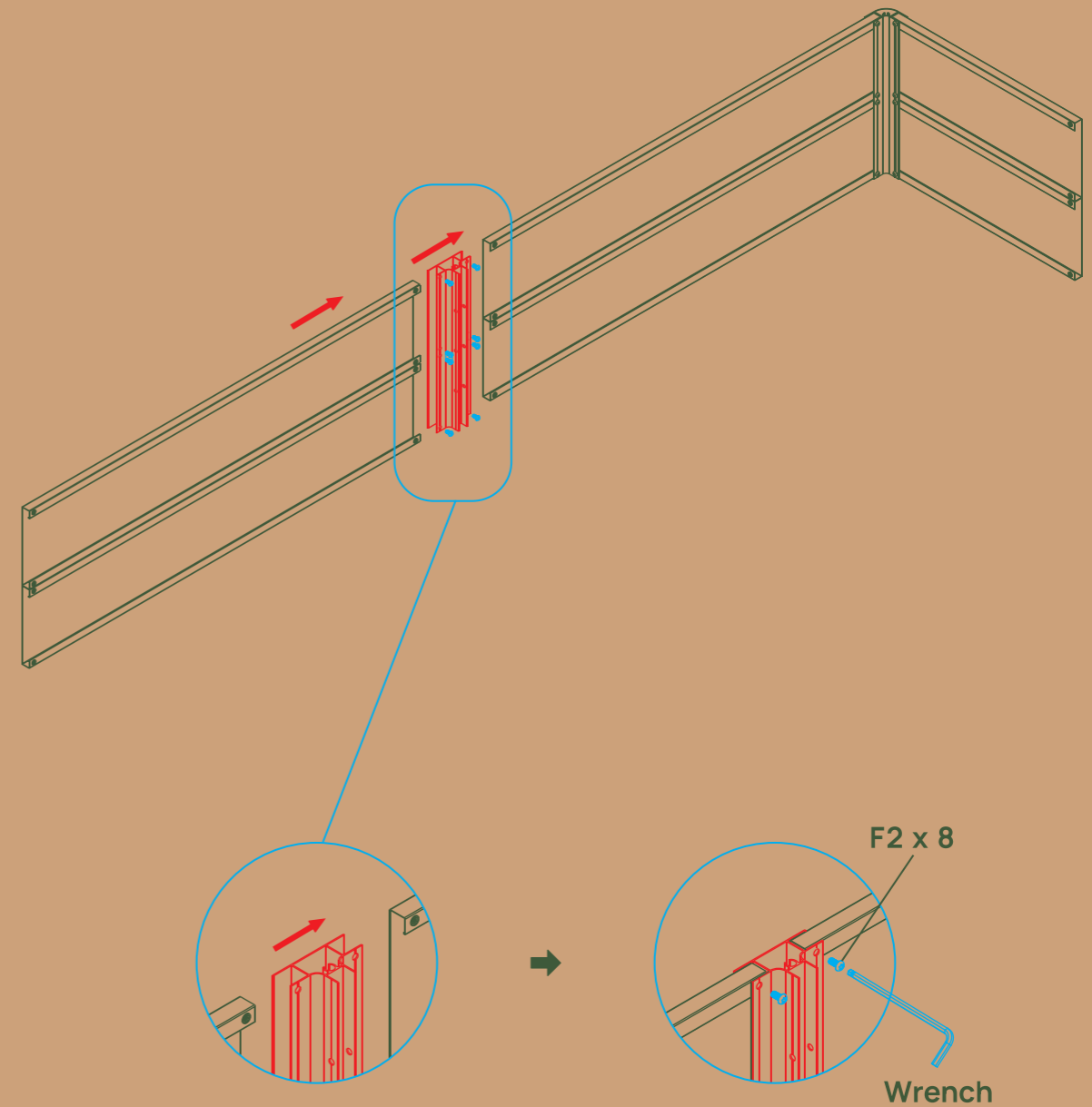


Then, secure them using F2 bolts and wrench. Each corner post and metal slat connection has a total of eight holes that need to be tightened.

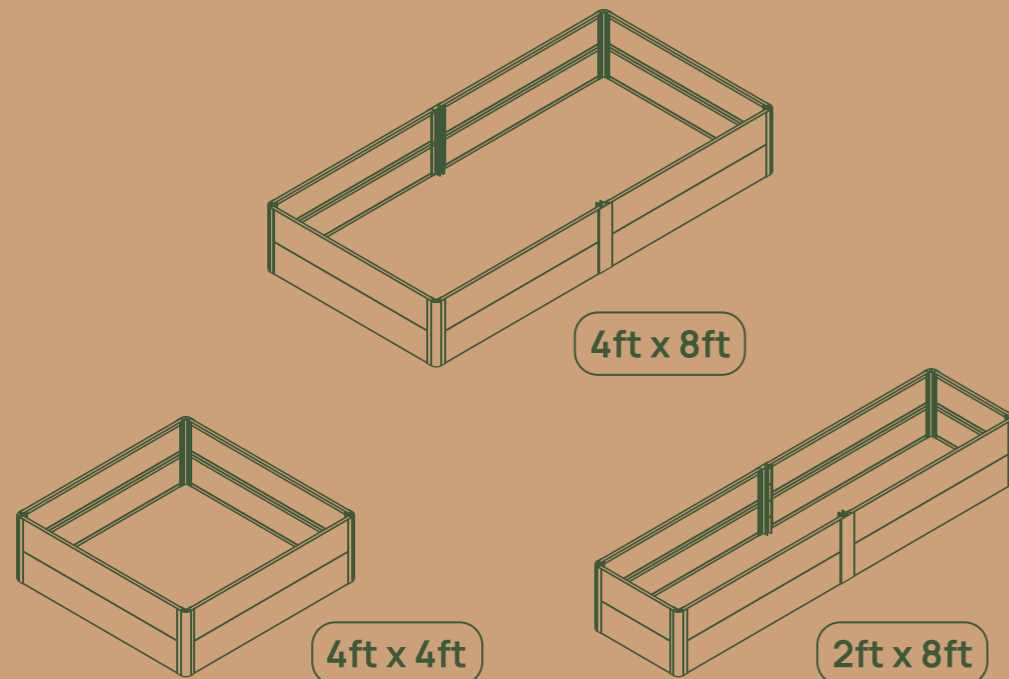


- 3** For the 4ft x 8ft and 2ft x 8ft rectangular garden beds, use the in-line connectors to assemble the long sides. Insert the in-line connectors and metal slats from the side, then secure them tightly using the F2 bolts and Wrench .

For the 4ft x 4ft Garden Bed, skip this step and move on to Step 4.

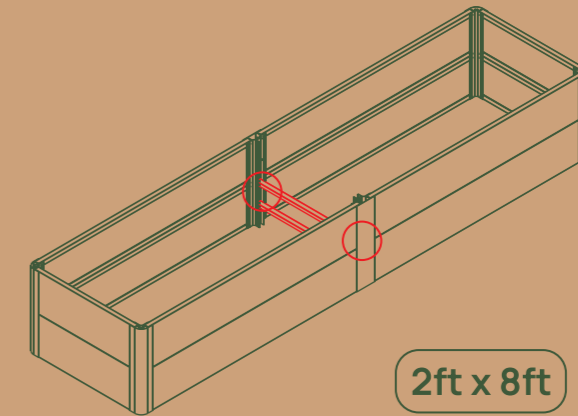
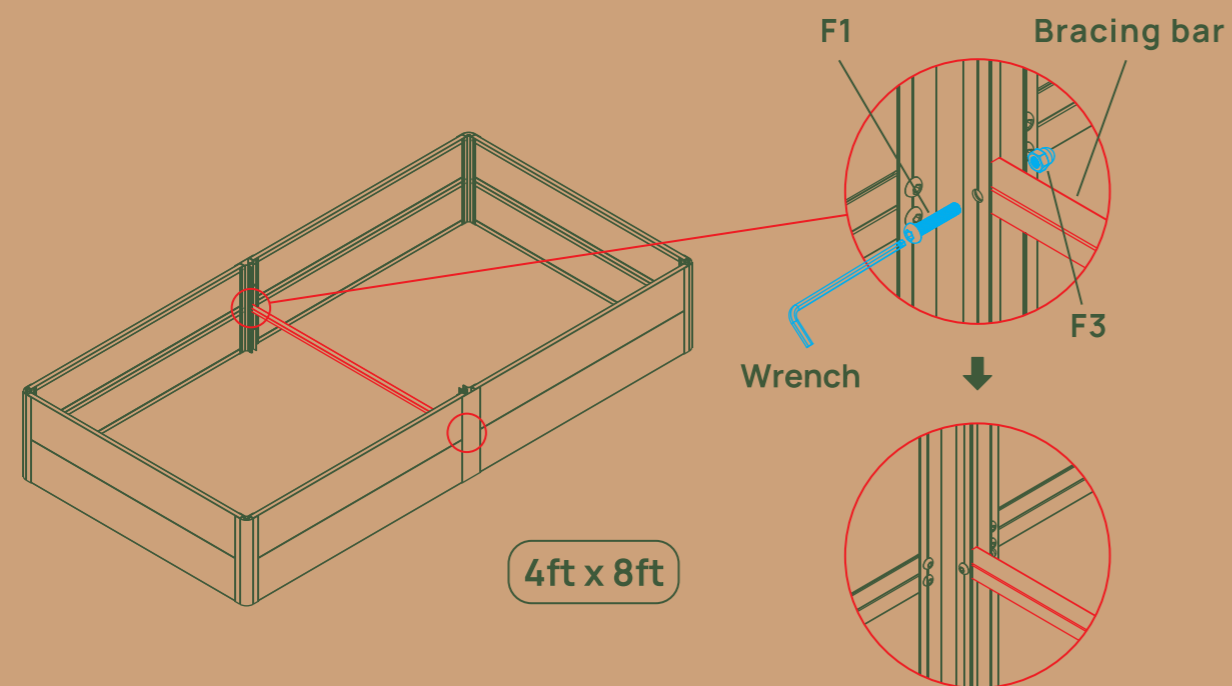


**4** Repeat Step 2 and Step 3 to complete the assembly of all four sides of the Garden Bed.



**5** Assemble the Bracing Bars onto the Garden Bed.

For the 4ft x 4ft Garden Bed, no bracing bars are required.  
For the 4ft x 8ft Garden Bed, assemble one bracing bar in the center hole of the in-line connector.  
For the 2ft x 8ft Garden Bed, assemble two bracing bars, placing them in the lower two holes of the in-line connector.



**6** Insert S1/S2 into the corner post and in-line connector, then tap them down gently with a rubber hammer. Next, remove the plastic film from the back of the aluminum logo and apply it to your new Evergrove Bed!

