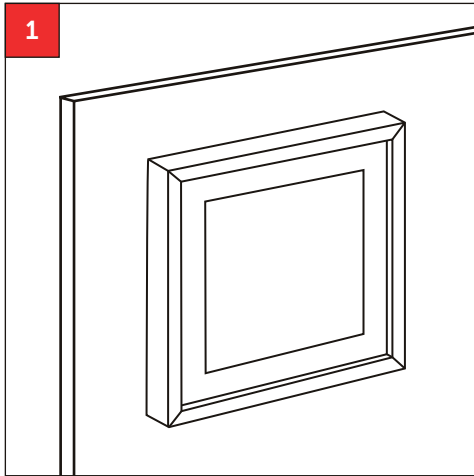


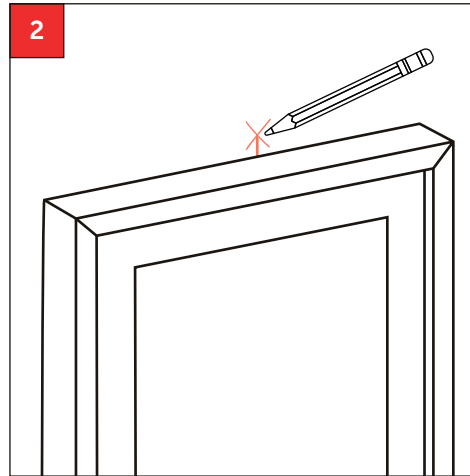
Framed Wall Art

Hanging Instructions



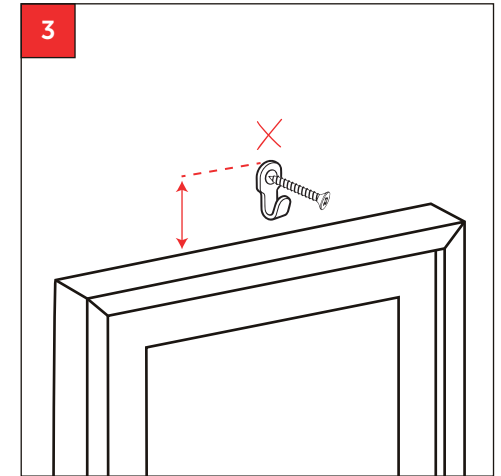
Choose your spot.

Hold the artwork against the wall where you'd like it to hang.



Mark the placement.

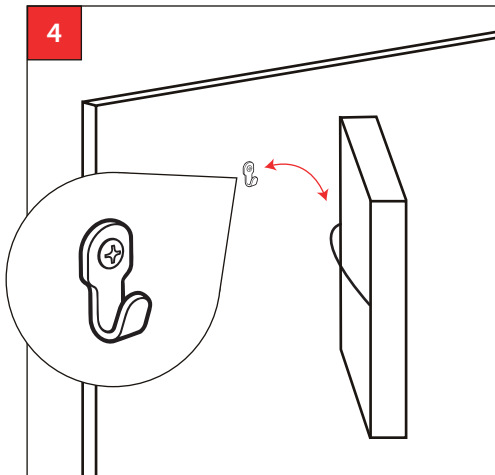
Lightly mark the wall near the top center of the frame.



Install a hook or screw.

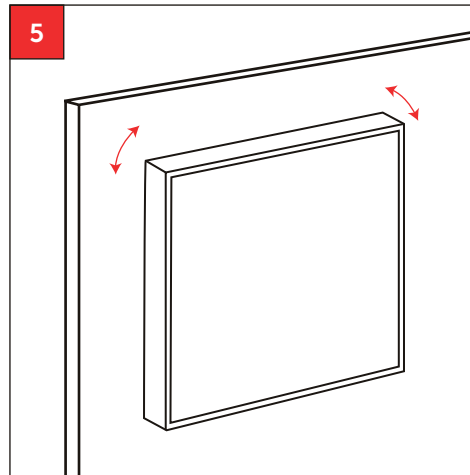
Place a wall hook or screw slightly below your mark.

(Only the hanging wire attached to the back of the frame is included. Screws are not included. Use a wall anchor if hanging on drywall.)



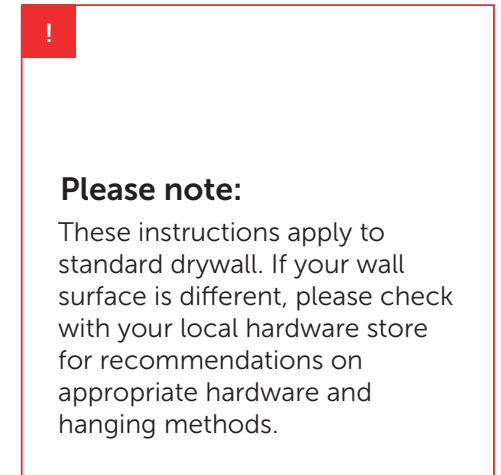
Hang the wire.

Lift the artwork and securely attach the wire to the hook or screw.



Straighten it.

Adjust slightly left or right until it looks level.



Please note:

These instructions apply to standard drywall. If your wall surface is different, please check with your local hardware store for recommendations on appropriate hardware and hanging methods.

Your artwork is ready to enjoy!