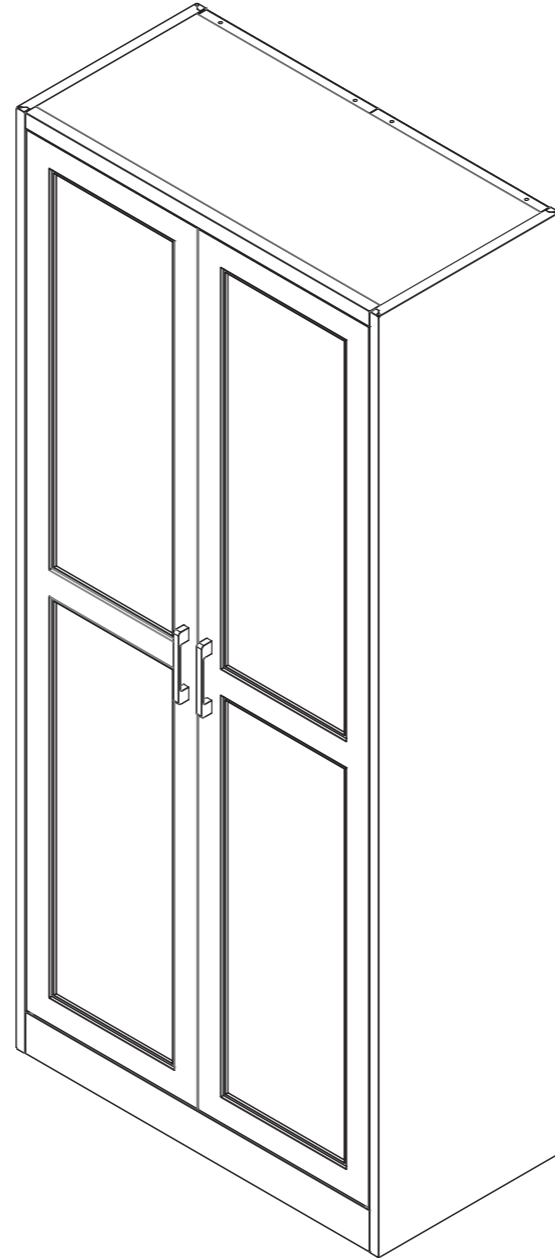


STORAGE CABINET USER MANUAL



Please read the user manual carefully or refer to the installation instructions on the product details page. Thank you!

PRODUCT PARAMETERS


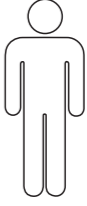
| | |
|---------------------------------|--|
| Product Size | H1800×W800×D400 mm H71×W32×D15.7 inch |
| Maximum Loading Capacity | 180lbs/81.6kg (weight must be distributed evenly) |
| N.W. | 68.1lbs/30.9Kg |
| G.W. | 75.6lbs/34.3Kg |

 **WARNING:**

Read this material before using this product. Failure to do so can result in serious injury. SAVE THIS MANUAL

ASSEMBLY PRECAUTIONS

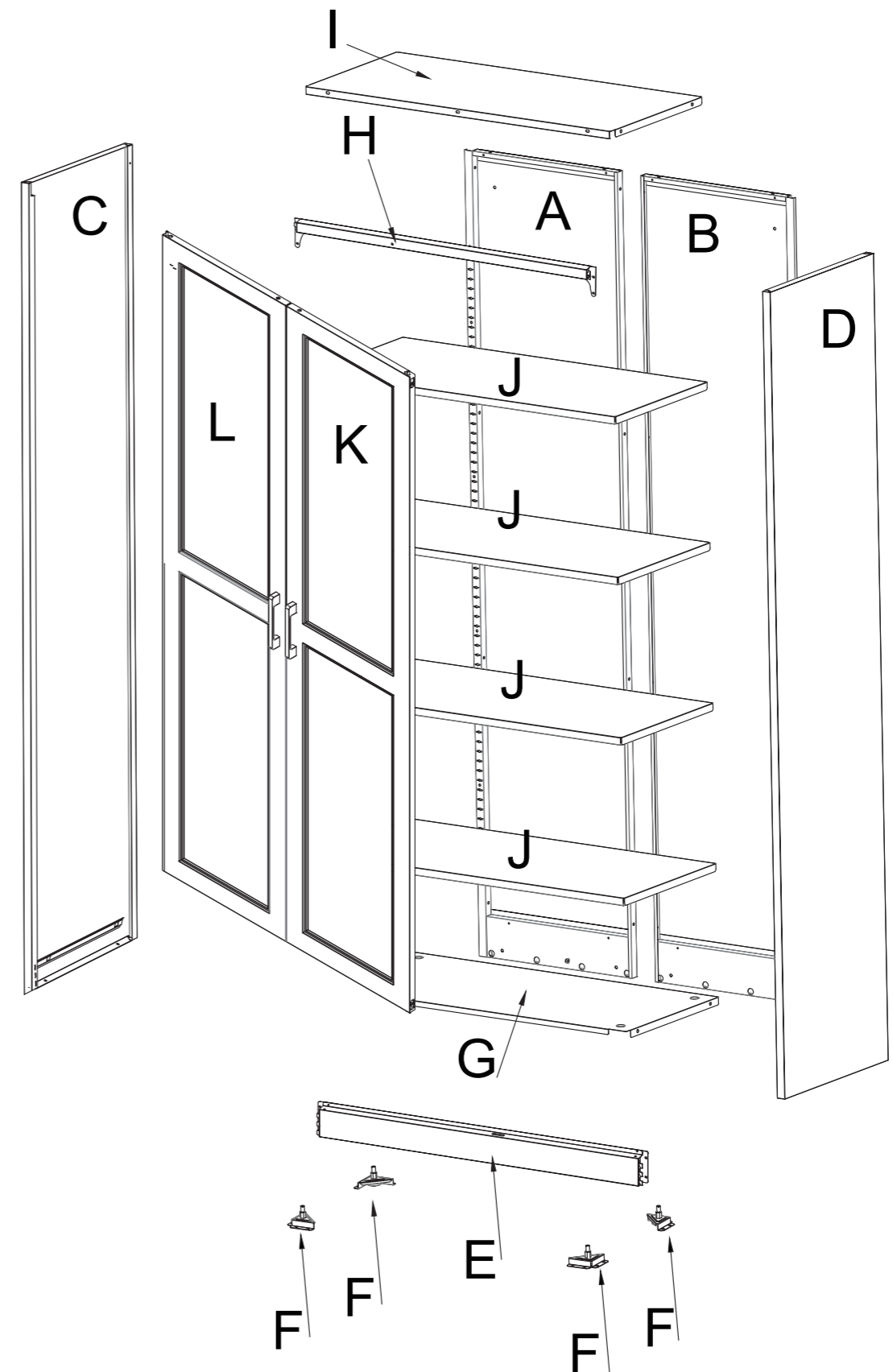
1. Assemble needs to follow these instructions. Incorrect assembly can be a hazard.
2. Wear safety goggles and heavy-duty work gloves during assembly.
3. When drilling the screws, it is recommended to choose **electric screwdriver**.
4. Do not assemble when tired or when under the influence of alcohol, drugs or medication.
5. Weight capacity and other product capabilities apply to a properly and completely assembled product only.
6. Keep the assembly area clean and well-lit.
7. Keep bystanders out of the area during assembly.
8. Assemble on a flat, level, hard and smooth surface.

| Tips | |
|---|--|
|  | Using an electric screwdriver makes the install process easier and faster. |
|  | x2 |

NEED HELP? CONTACT US!

- ♡ Please do not rush to leave negative experience.
- ♡ Trust us that we will customize the best solution for you.
- ♡ Due to the long distance international shipping and the rough treatment by local logistics, sometimes the package/panels would be bent/dent/damaged. If you meet those problems, please contact us soon.

This is the original instruction.
The appearance of the product shall be subject to the product you received. Please forgive us that we won't inform you again if there are any technology or software updates on our product.

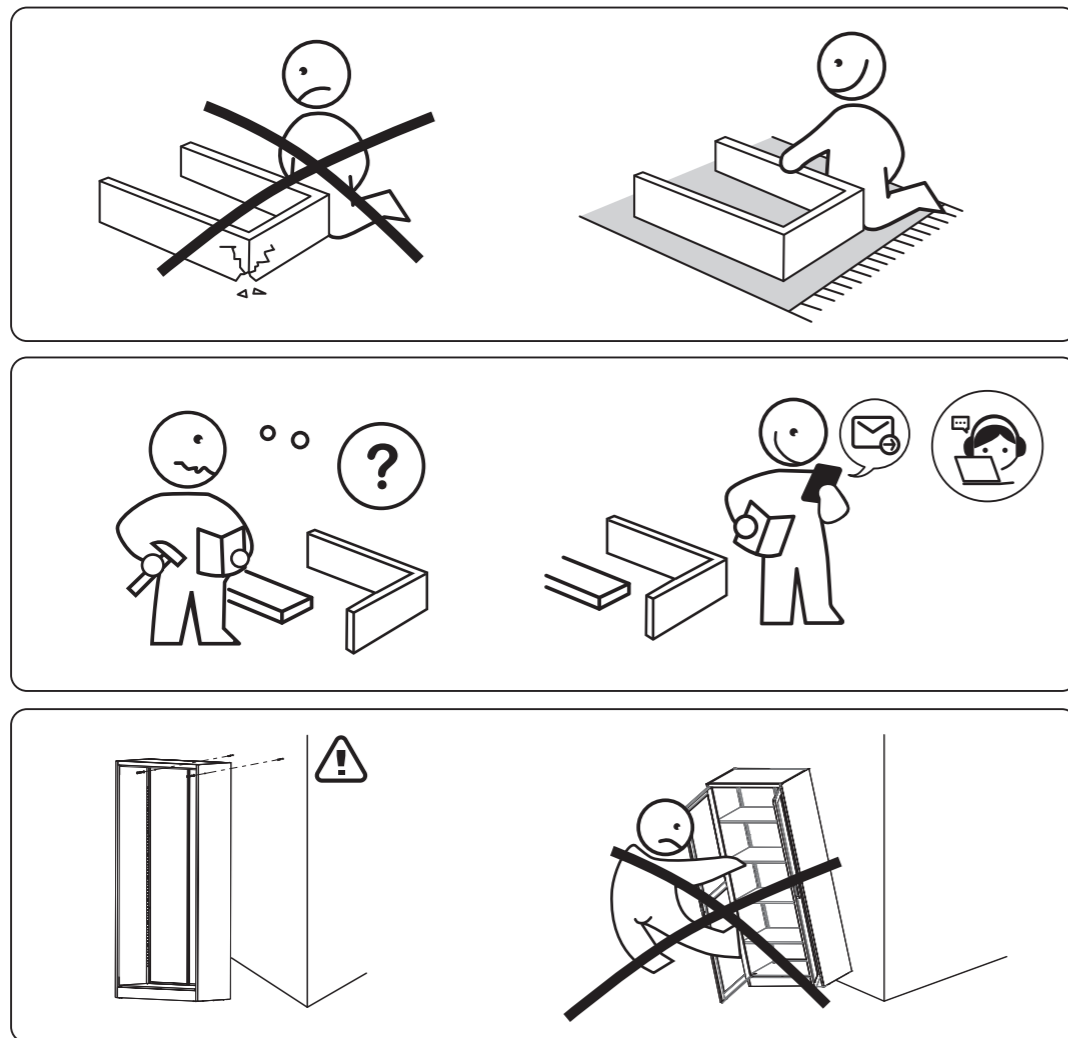


⚠ Panels A and K(or L) are overlapped in the package, please take out the Panel K from the Panel A.
Panels B and L(or K) are overlapped in the package, please take out the Panel L from the Panel B.

USE PRECAUTIONS

⚠ WARNING: TO PREVENT SERIOUS INJURY AND DEATH FROM TIPPING:

1. This product is not a toy. Do not allow children to play with or approach this item.
2. Use as intended only. Do not sit or stand on the product.
3. Inspect before every use. Do not use it if parts are loose or damaged.
4. Use on flat, level, and hard surfaces only.
5. Do not exceed the listed weight capacity. Tighten all knobs securely before applying load. Be aware of dynamic loading! The sudden load movement may briefly create an excess load, causing product failure.



PARTS LIST

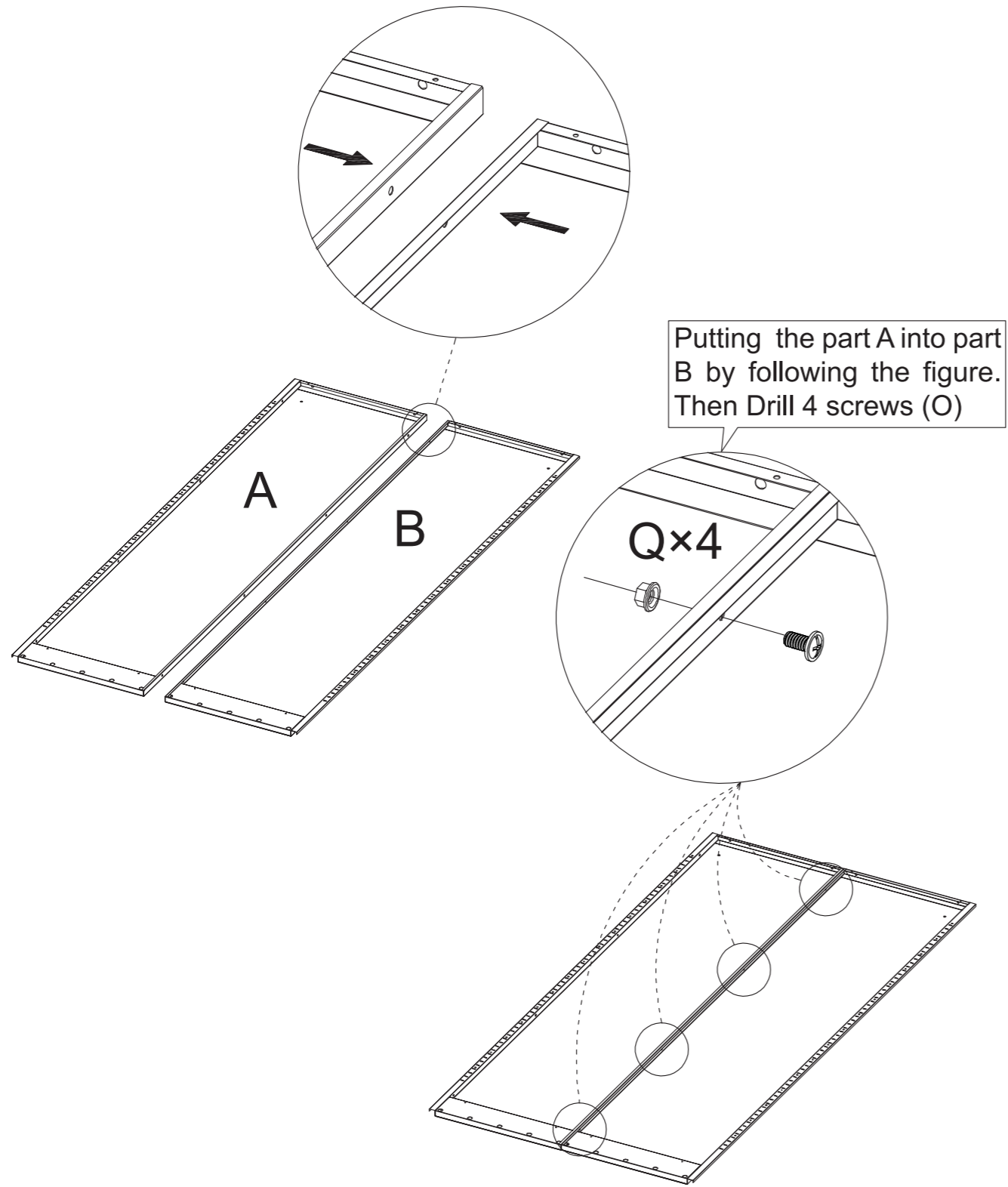
| | | | | |
|---------|---------|---------|---------|---------------|
| A×1 | B×1 | C×1 | D×1 | |
| E×1 | G×1 | H×1 | I×1 | |
| K×1 | L×1 | M×4 | N×2 | O×43 |
| | | P×2 | Q×4 | S×16 |
| J×4 | F×4 | U×4 | V×2 | spare acc |
| | | | | |

step 1

NOTICE

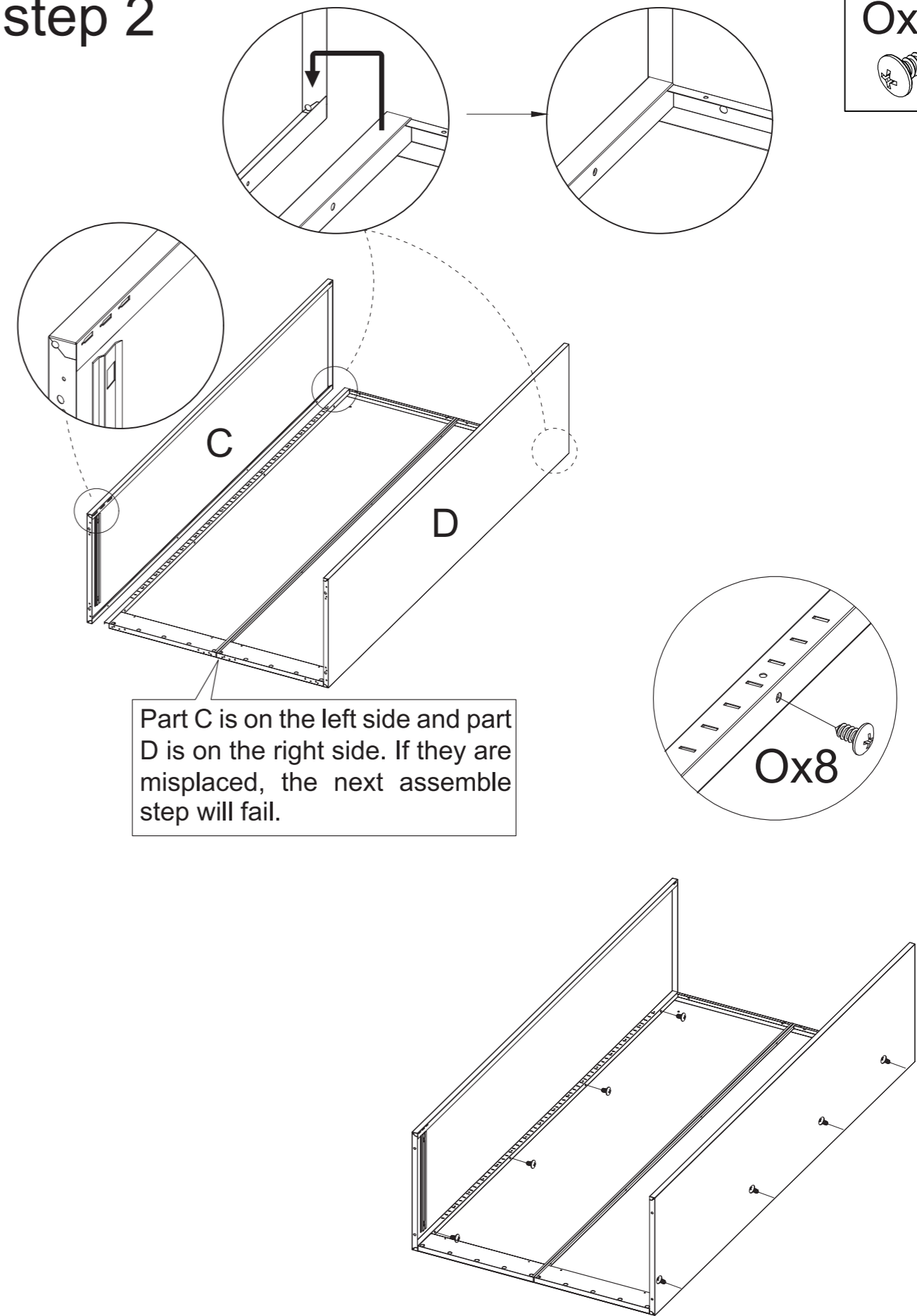
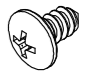
Two Doors (L&K) are pressed into back panels (A&B), please take them out before assembly.

Qx4



step 2

Ox8



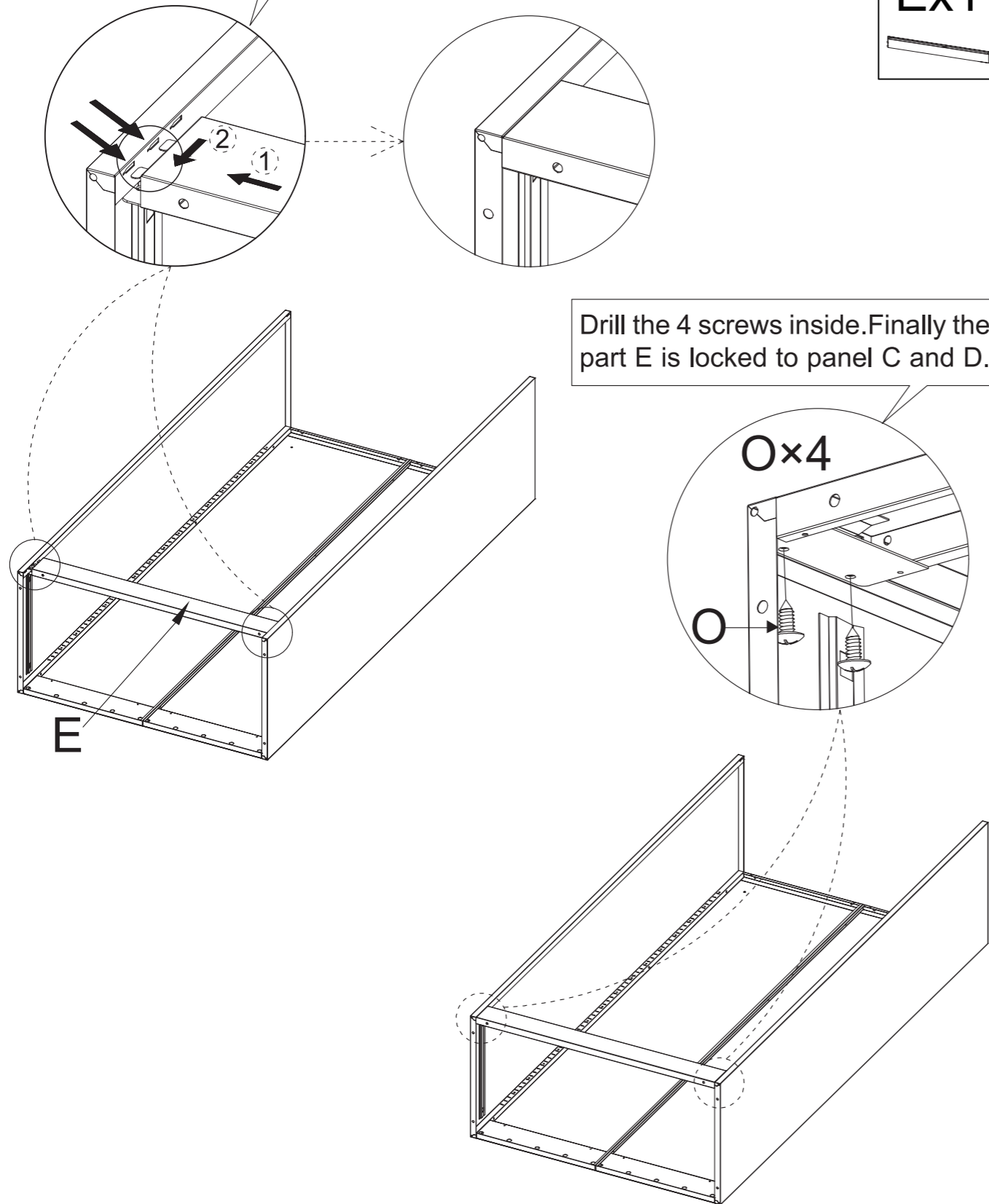
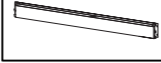
step 3

- ① Insert the 2 buckles on either side of panel E into the pointed holes in both side panels.
- ② Push it down by following the direction of arrow.

Ox4



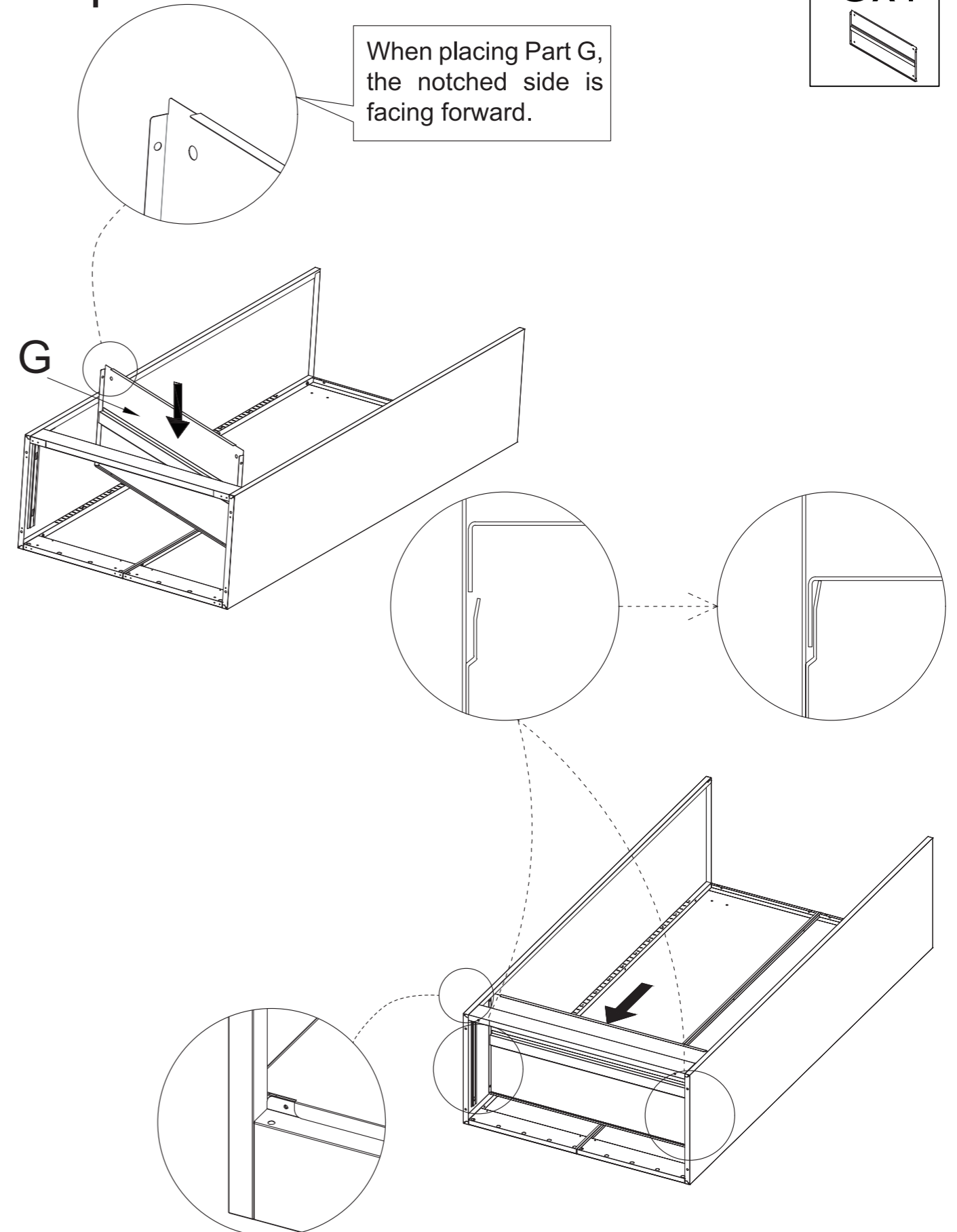
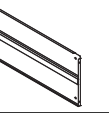
Ex1



step 4

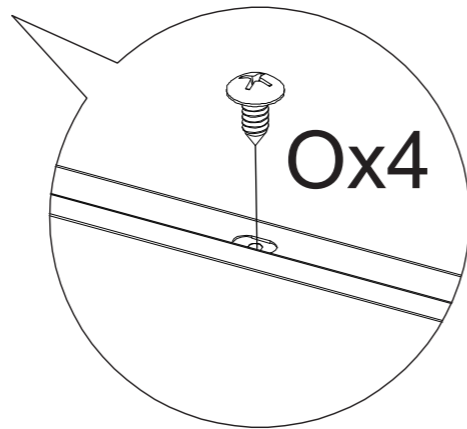
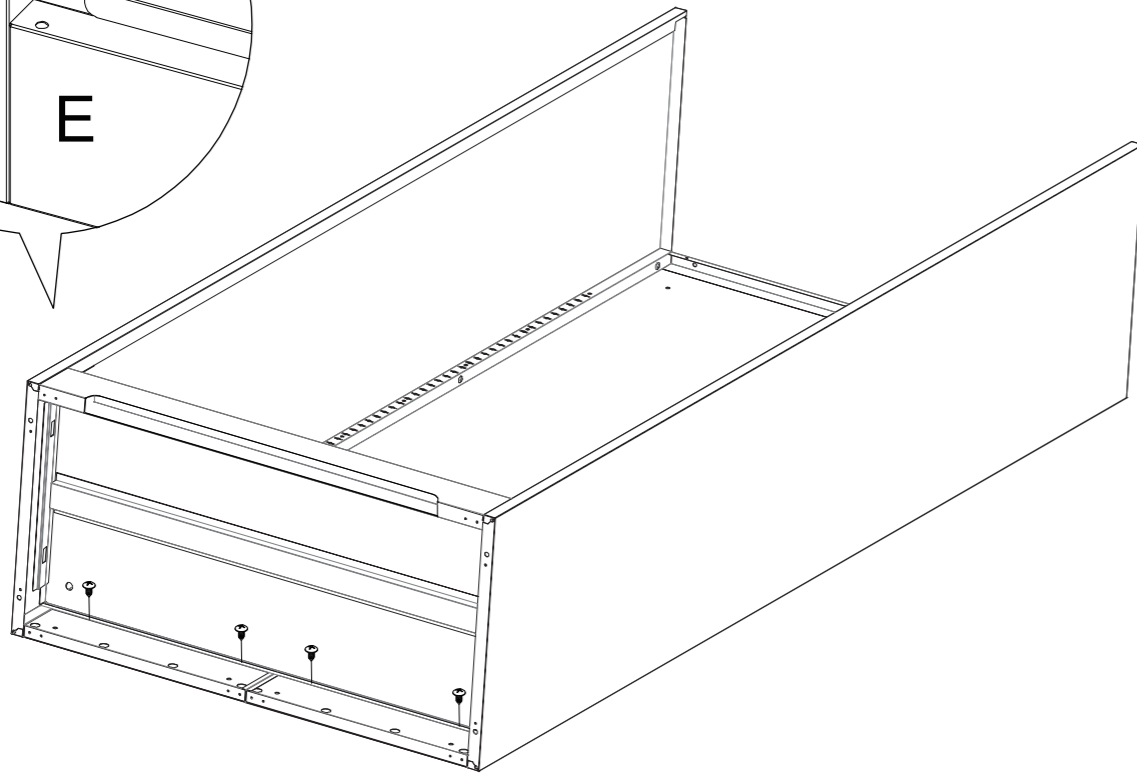
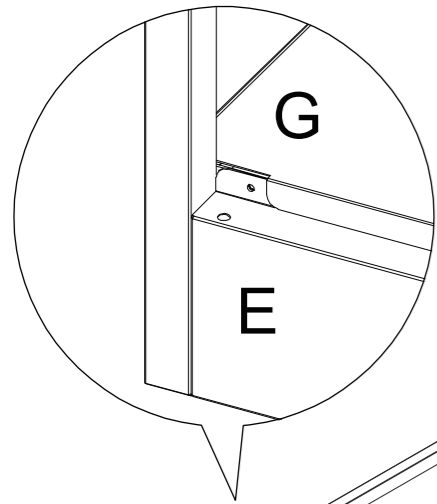
When placing Part G, the notched side is facing forward.

Gx1



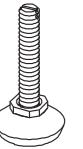
step 5

Ox4

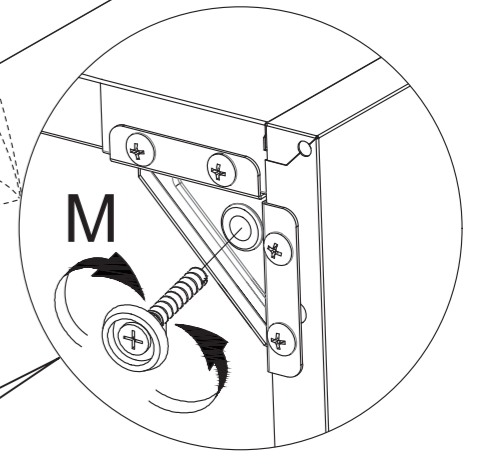
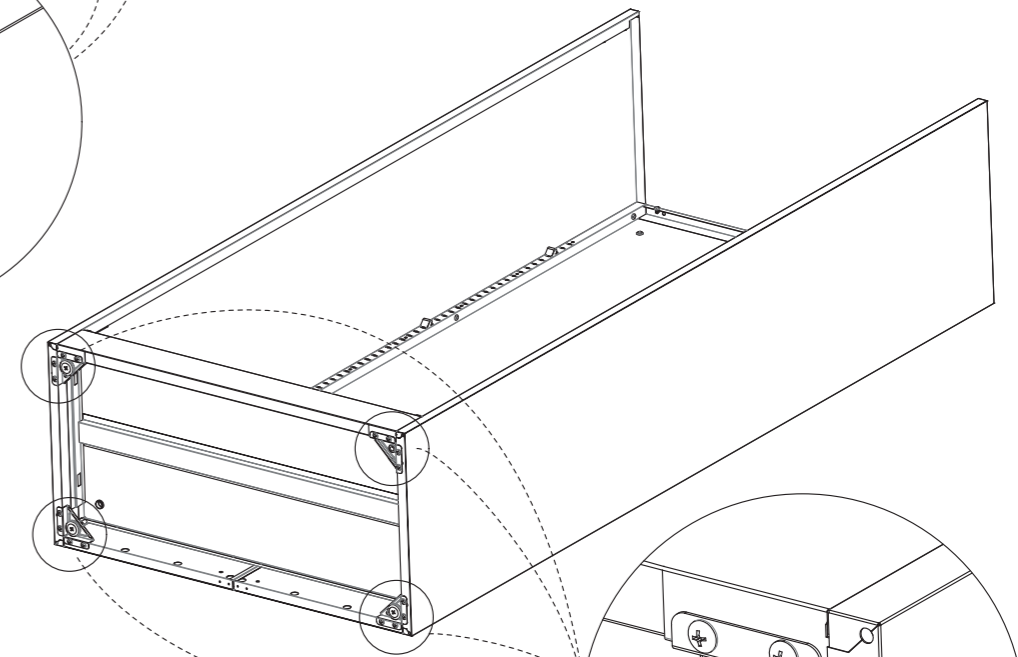
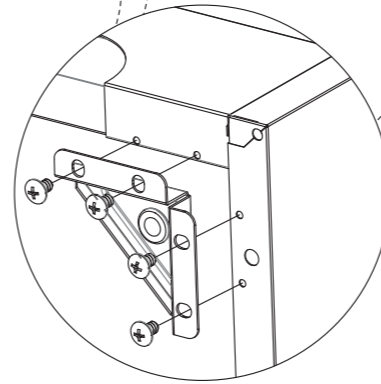
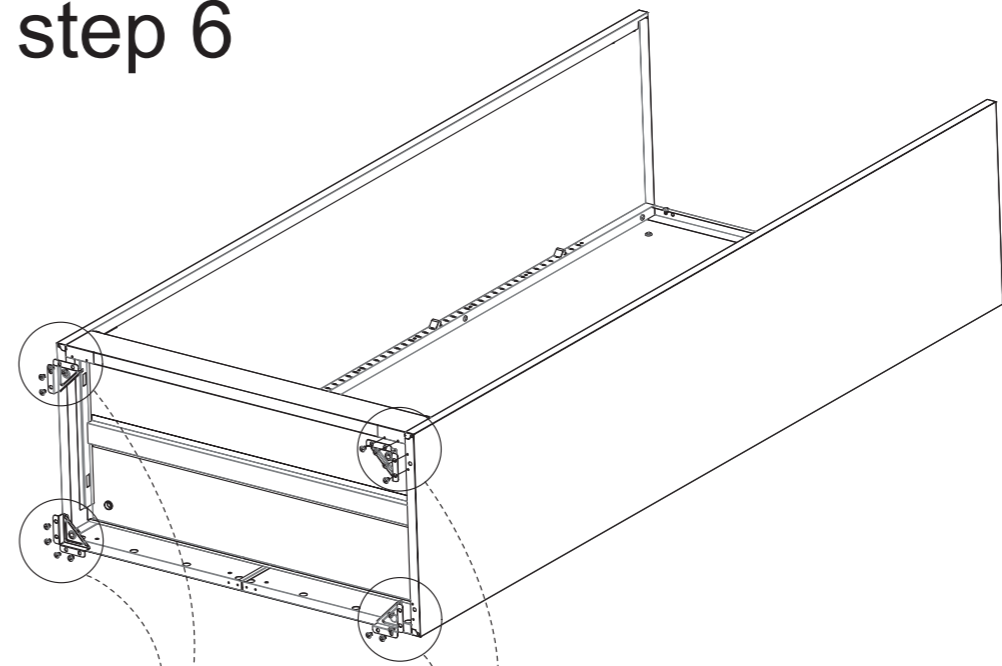


step 6

Mx4

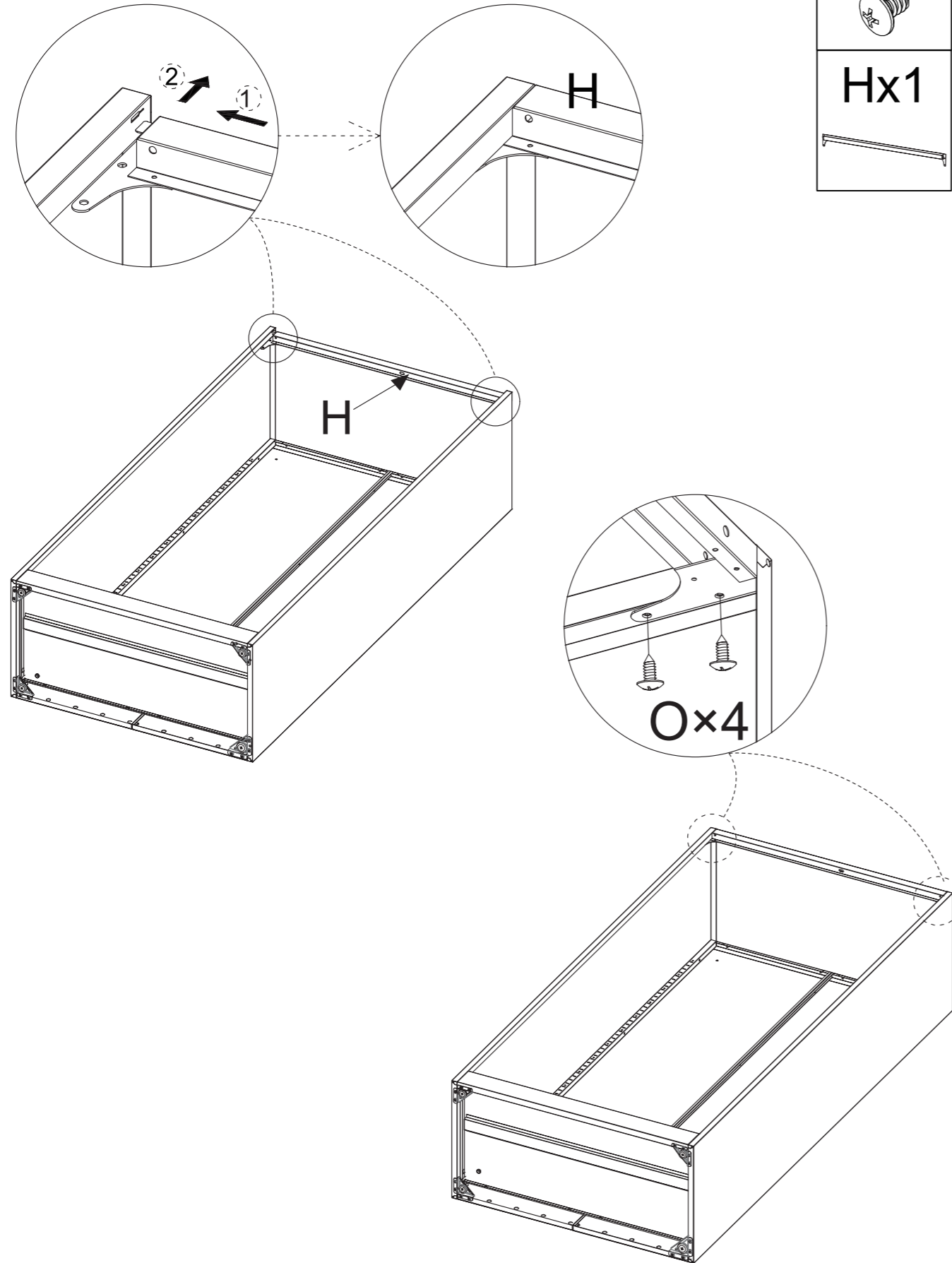


Ox16

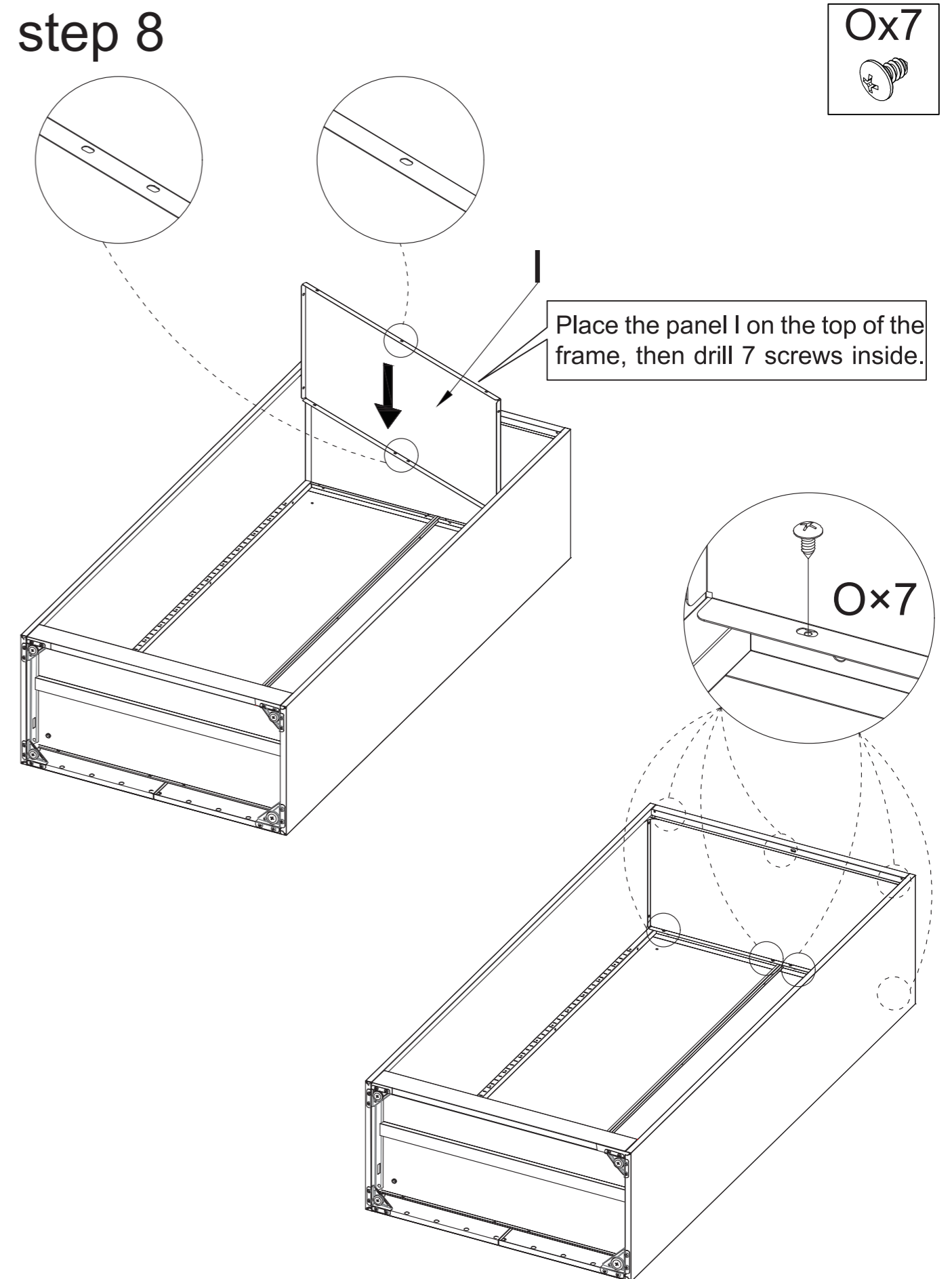


If the ground is uneven, it can be adjusted by rotating the screw M. This will fix the situation that the door is not easily opened or closed.

step 7

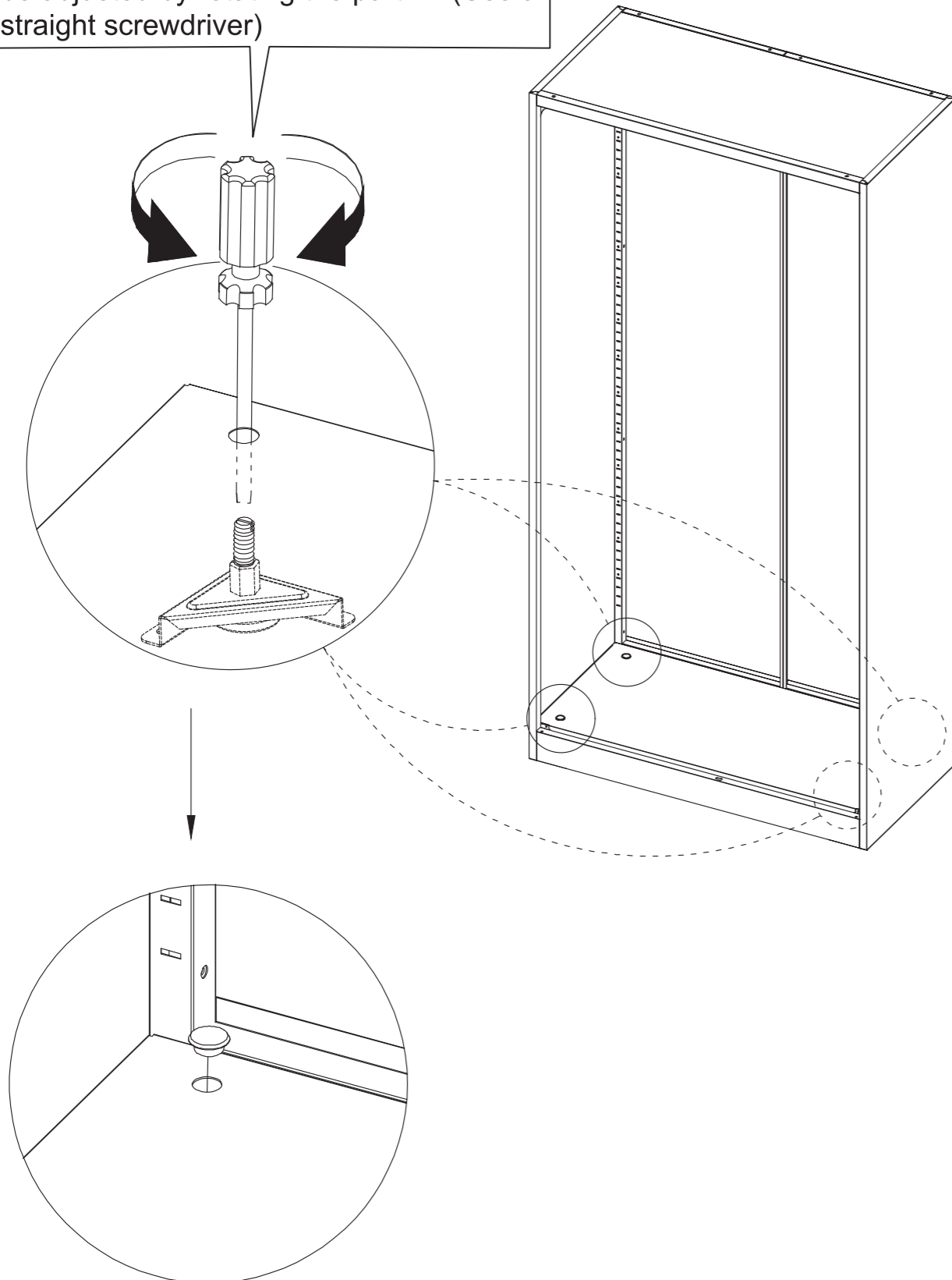


step 8



step 9

If the cabinet is unstable or uneven, it can be adjusted by rotating the part M. (Use a straight screwdriver)

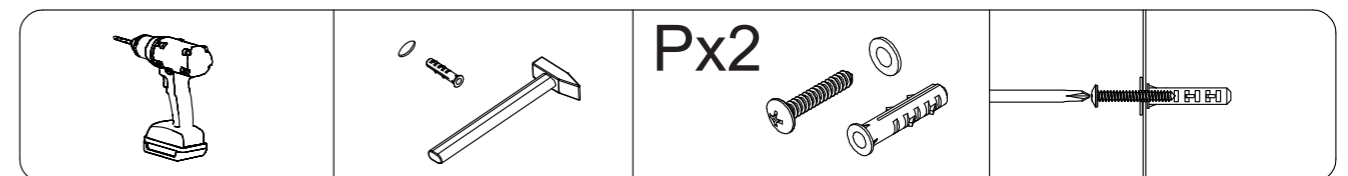
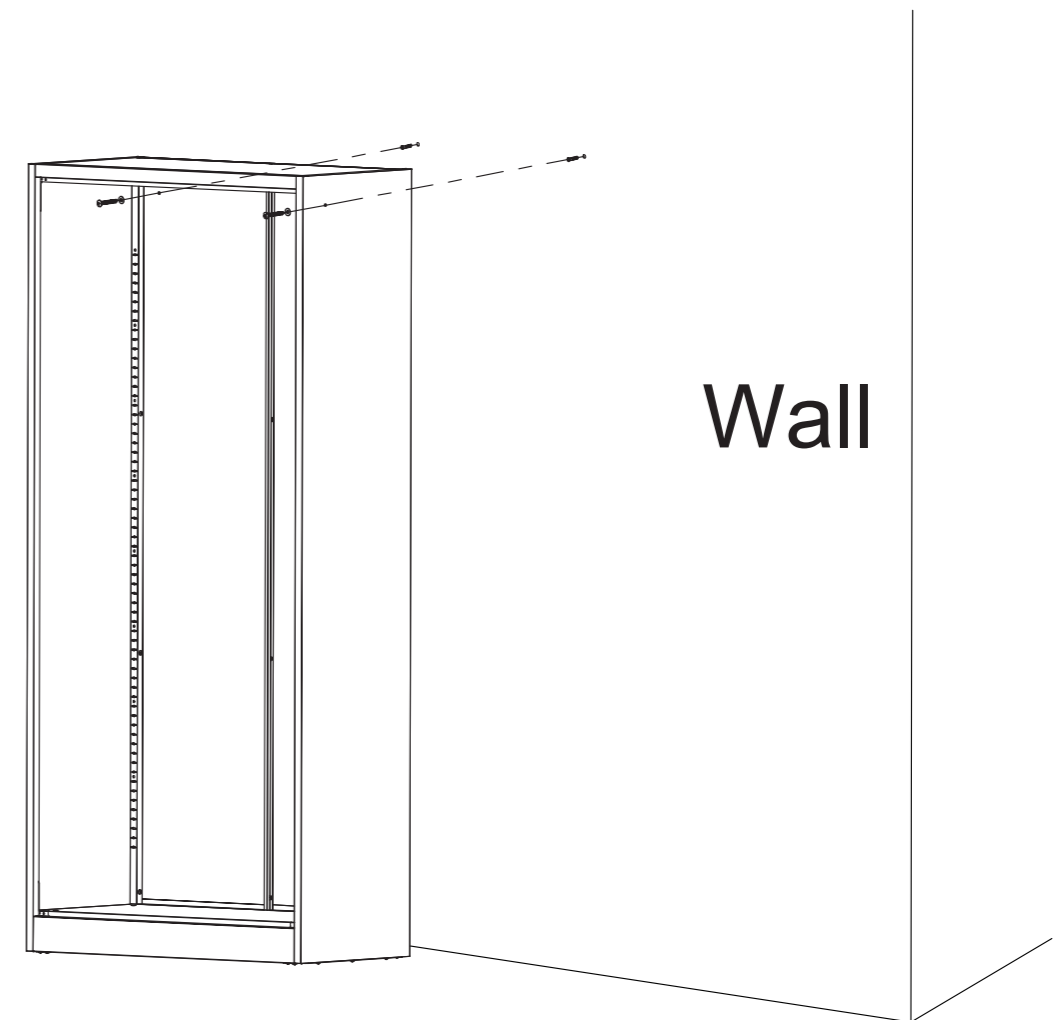


15

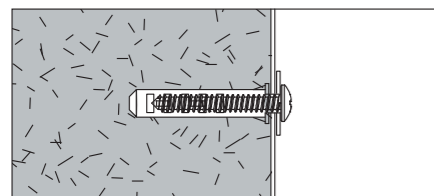
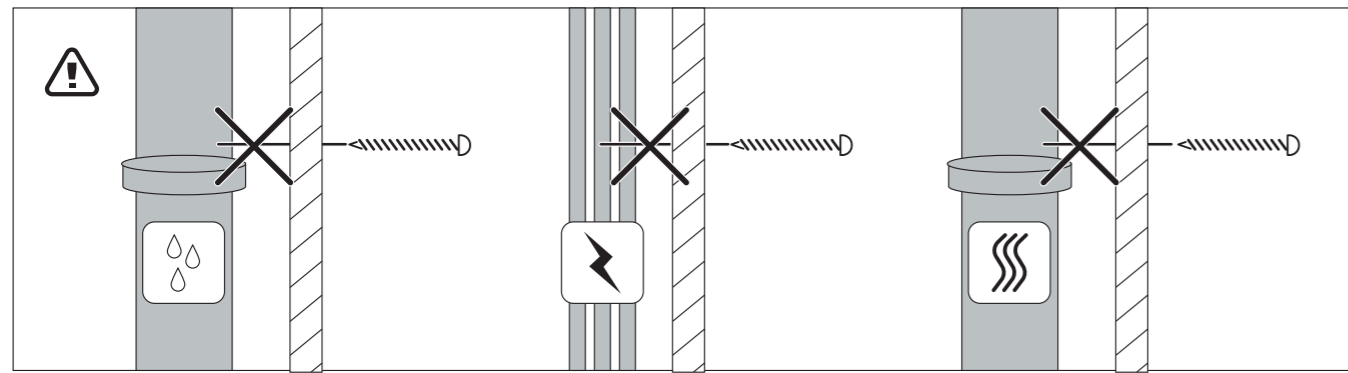
step 10

⚠ WARNING

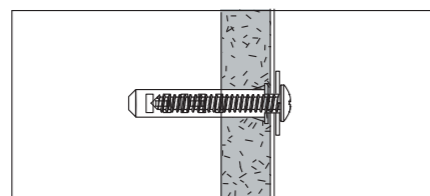
Serious or fatal crushing injuries can occur from the tip-over. To prevent this cabinet from tipping over, it must be Permanently fixed to the wall with the included wall attachment device provided. Assess the suitability of the wall to ensure that it will withstand the forces generated. If you are uncertain, seek professional advice.



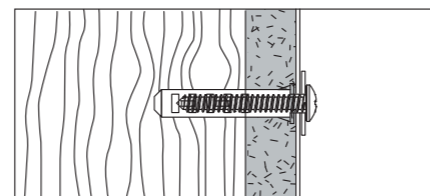
16



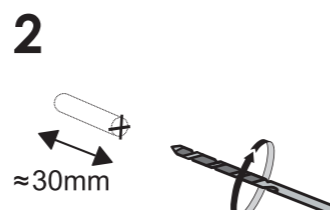
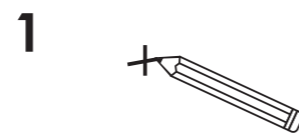
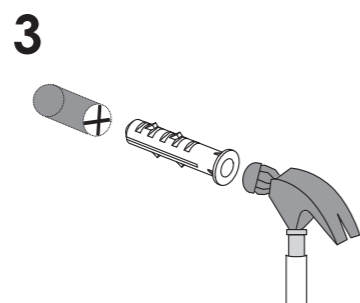
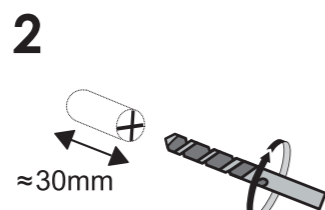
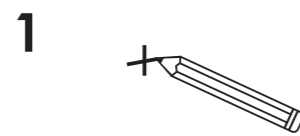
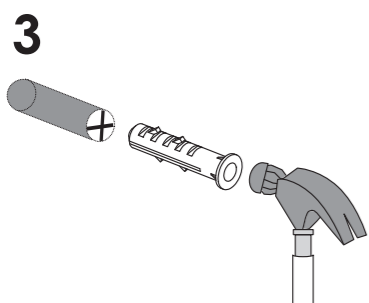
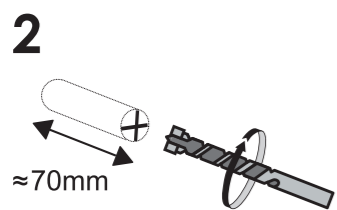
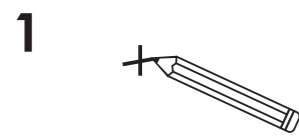
∅8mm (5/16")



∅8mm (5/16")

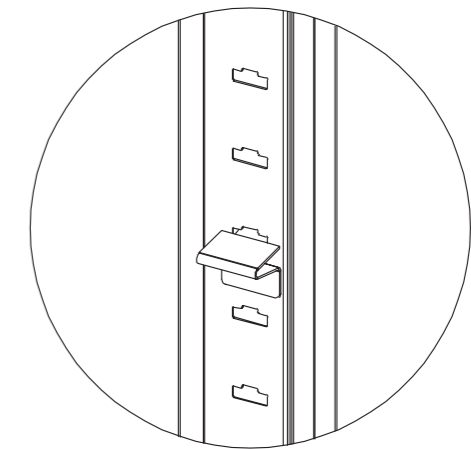
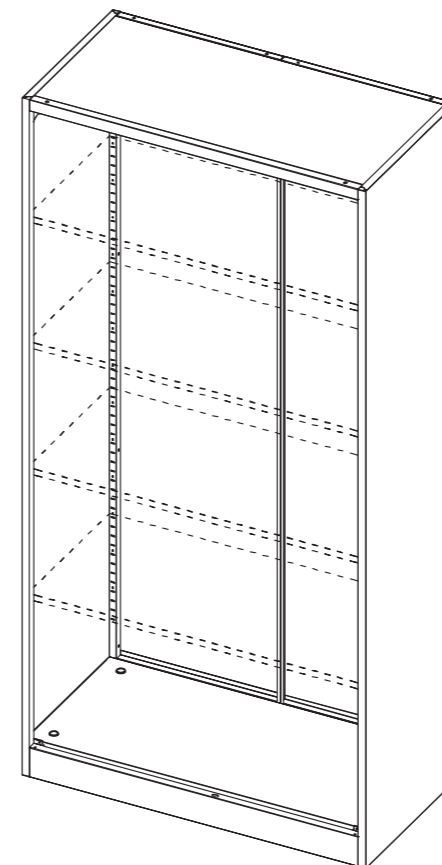
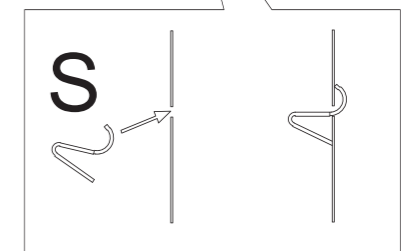
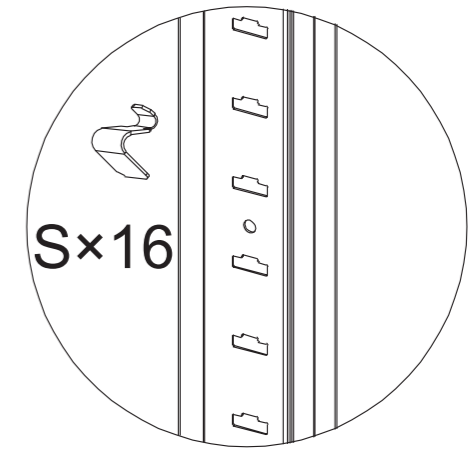
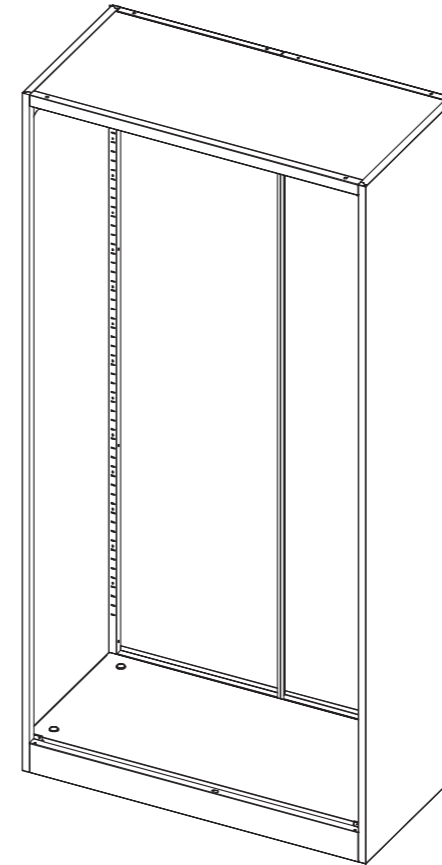


∅3mm (1/8")



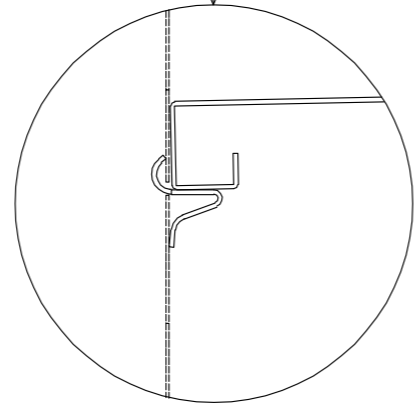
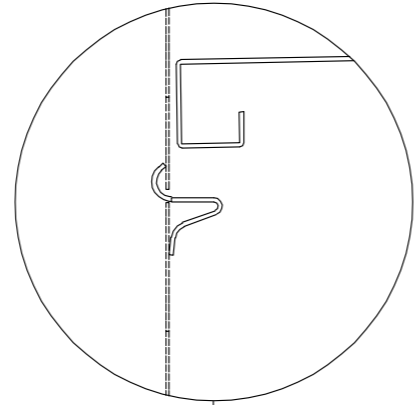
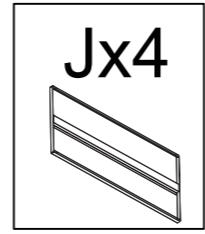
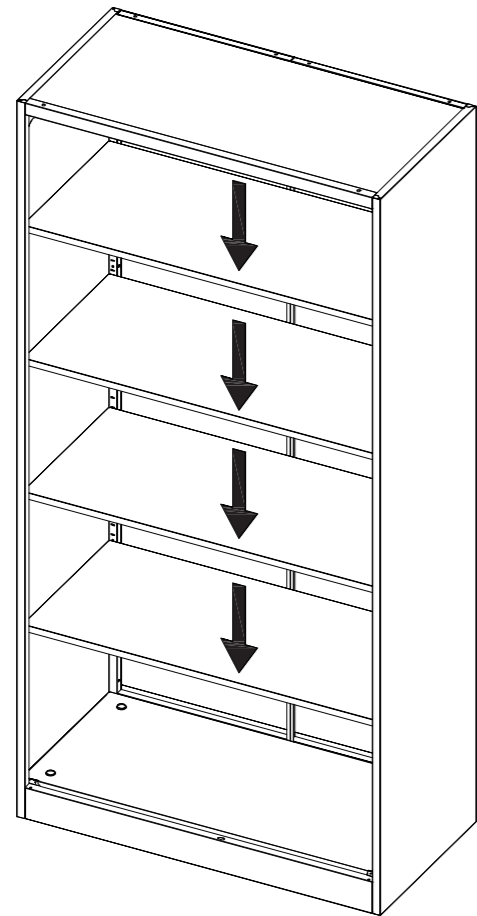
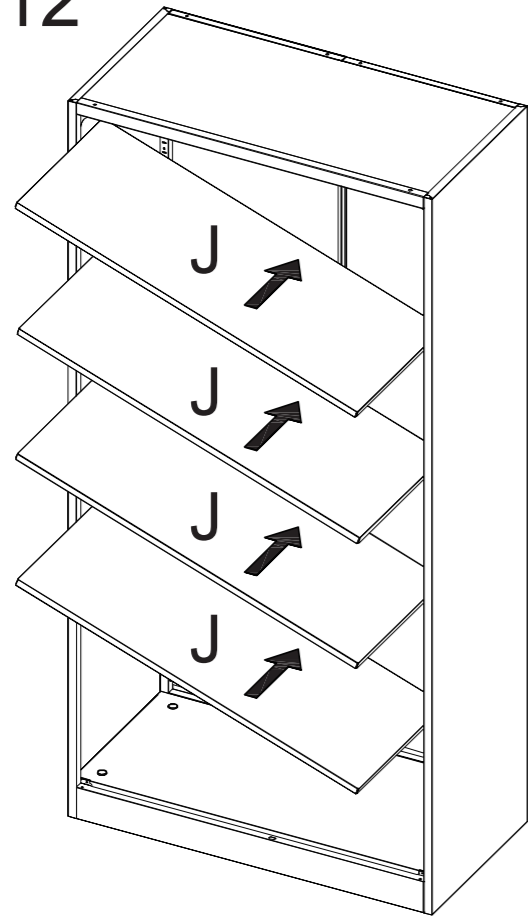
step 11

Sx16

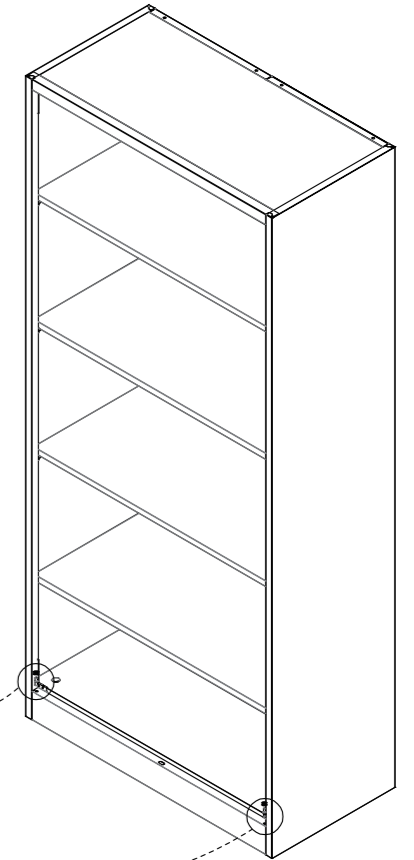
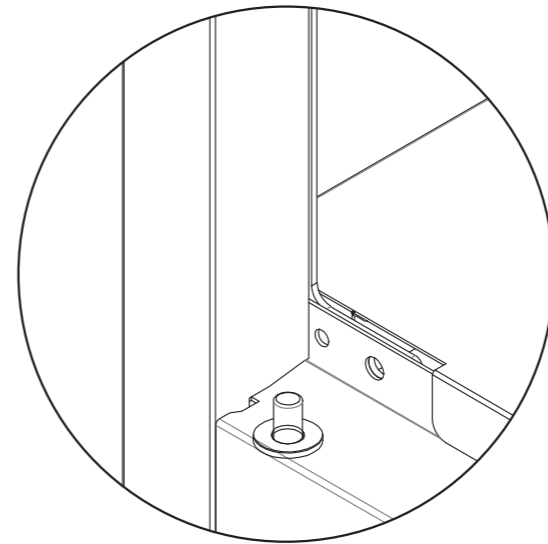
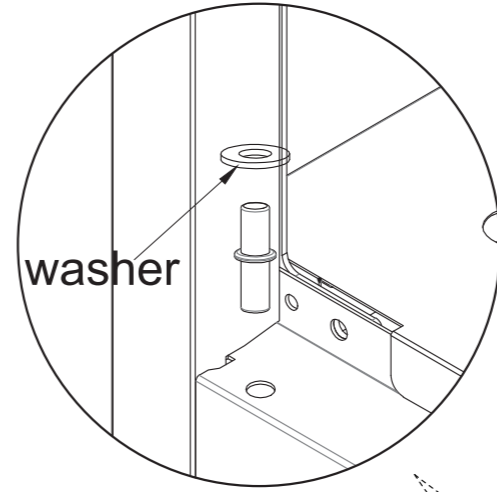


Put 4 support clips S in the four corners of the cabinet. 4 clips must at the same level.

step 12



step 13

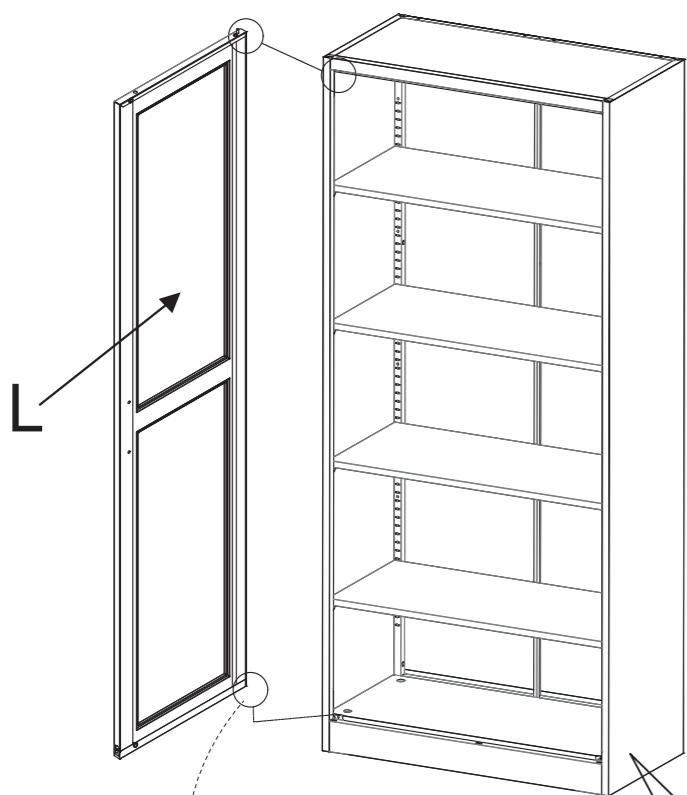


step 14

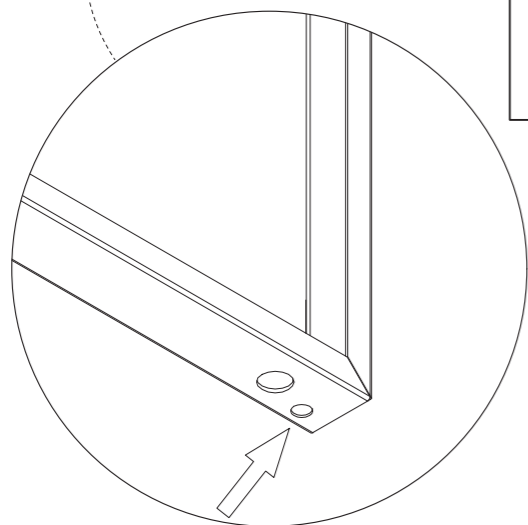
NOTICE

If the spring shaft missed from the door, you can find the spare part in the hardware bag. Insert the crooked part to the hole.

Lx1

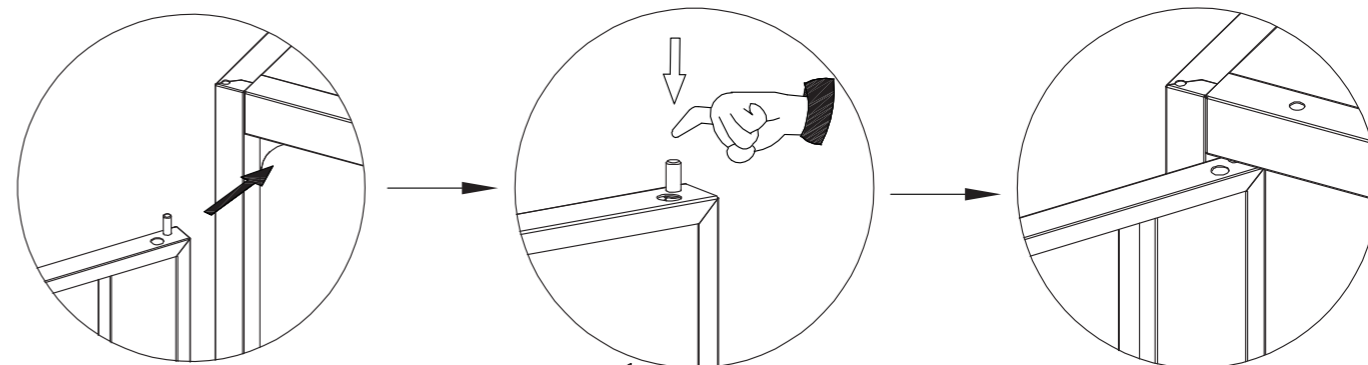


Install the lower door shaft hole on the door shaft N, and press down the upper spring pin to the upper shaft hole.



Make sure to choose the smaller hole to install on the door shaft.

step 15



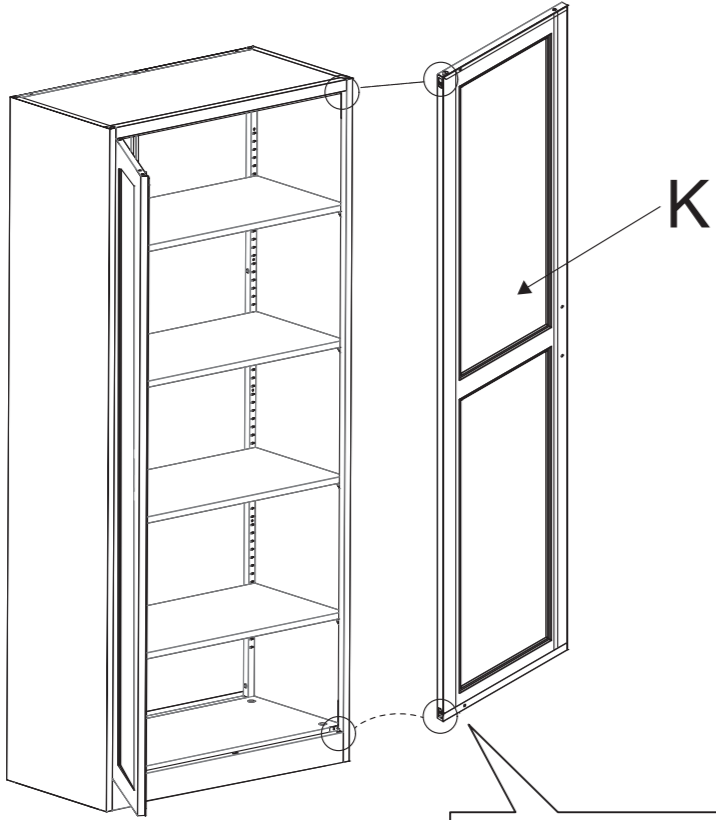
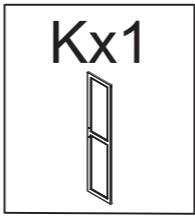
Press down the upper spring pin to the upper shaft hole.



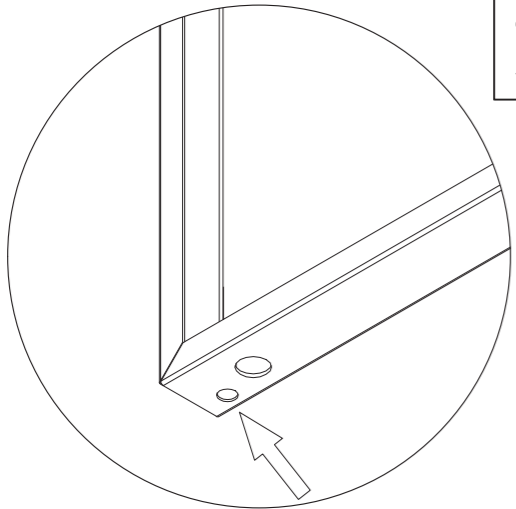
step 16

NOTICE

If the spring shaft missed from the door, you can find the spare part in the hardware bag. Insert the crooked part to the hole.

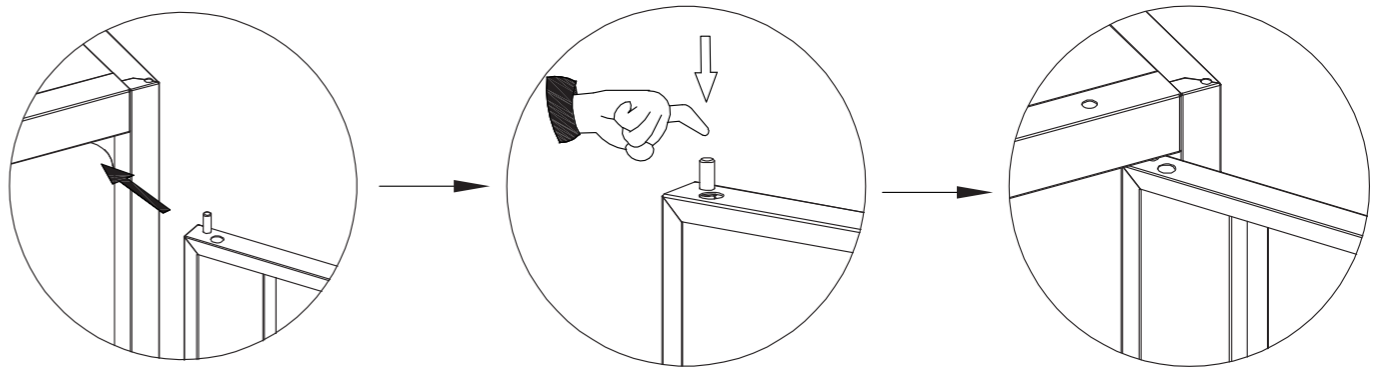


Install the lower door shaft hole on the door shaft N, and press down the upper spring pin to the upper shaft hole.

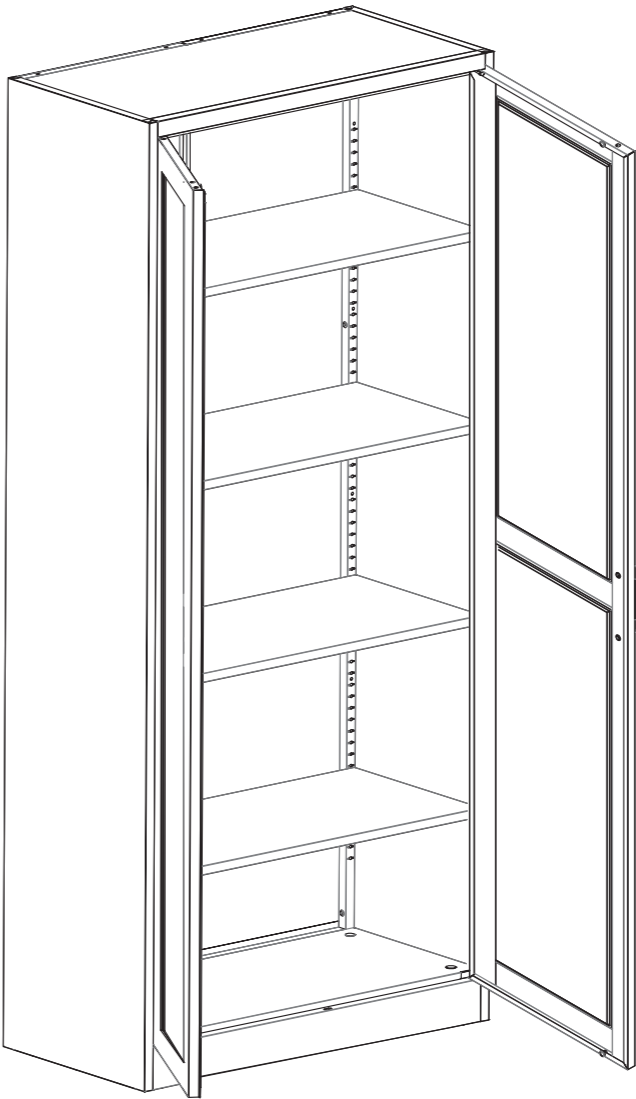


Make sure to choose the smaller hole to install on the door shaft.

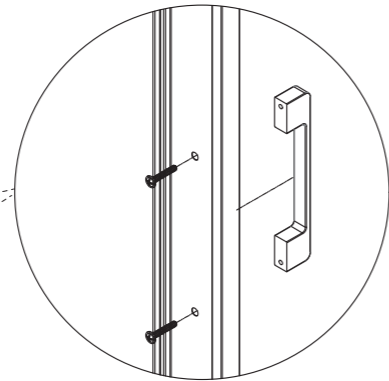
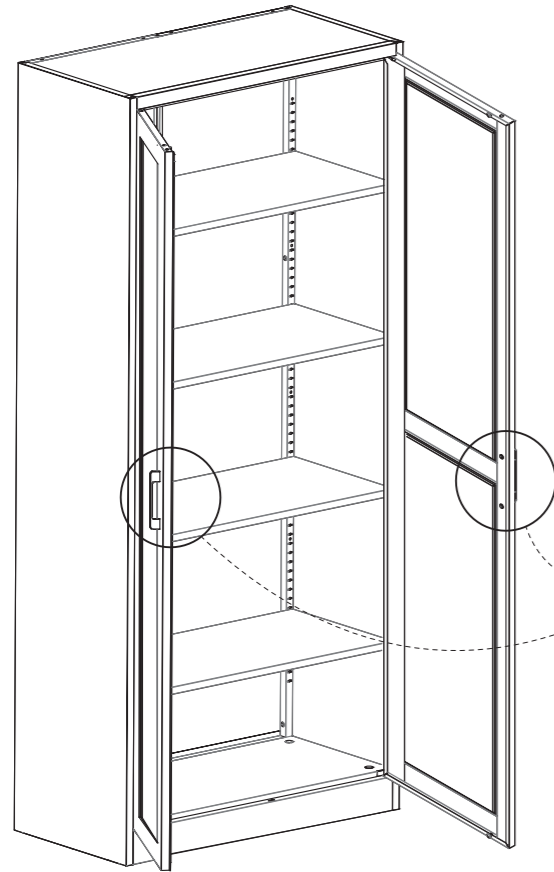
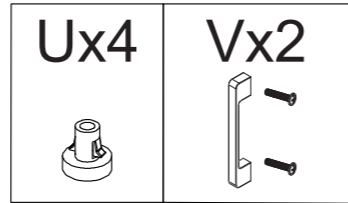
step 17



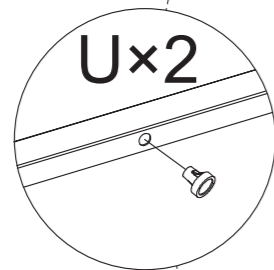
Press down the upper spring pin to the upper shaft hole.



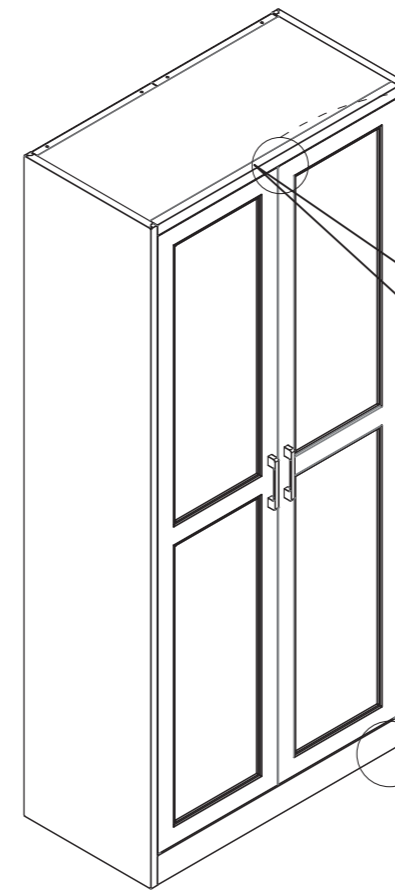
step 18



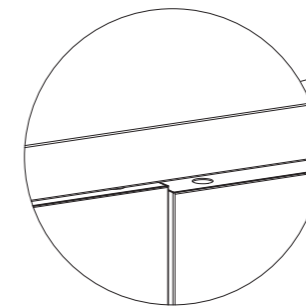
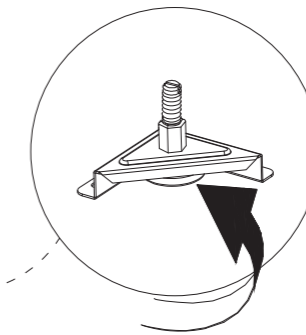
Install the handle (V) and the magnetic catches(U)



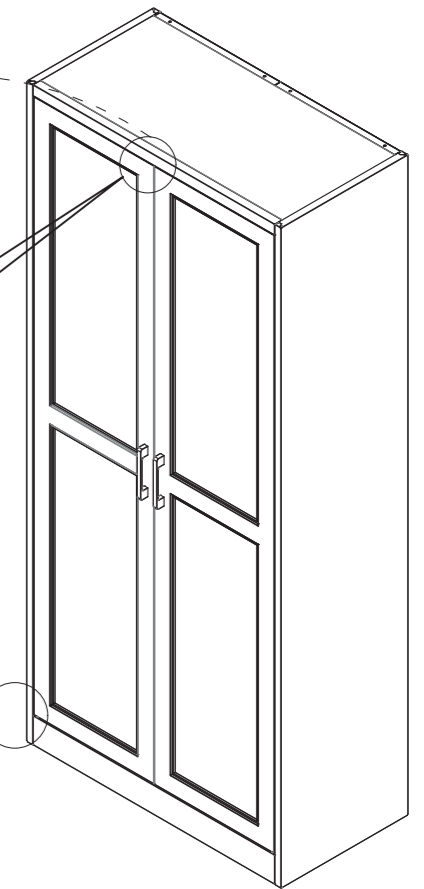
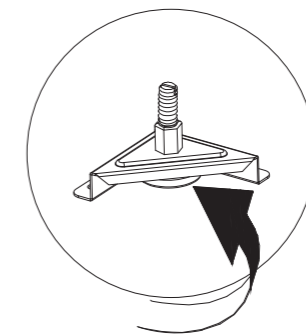
step 19



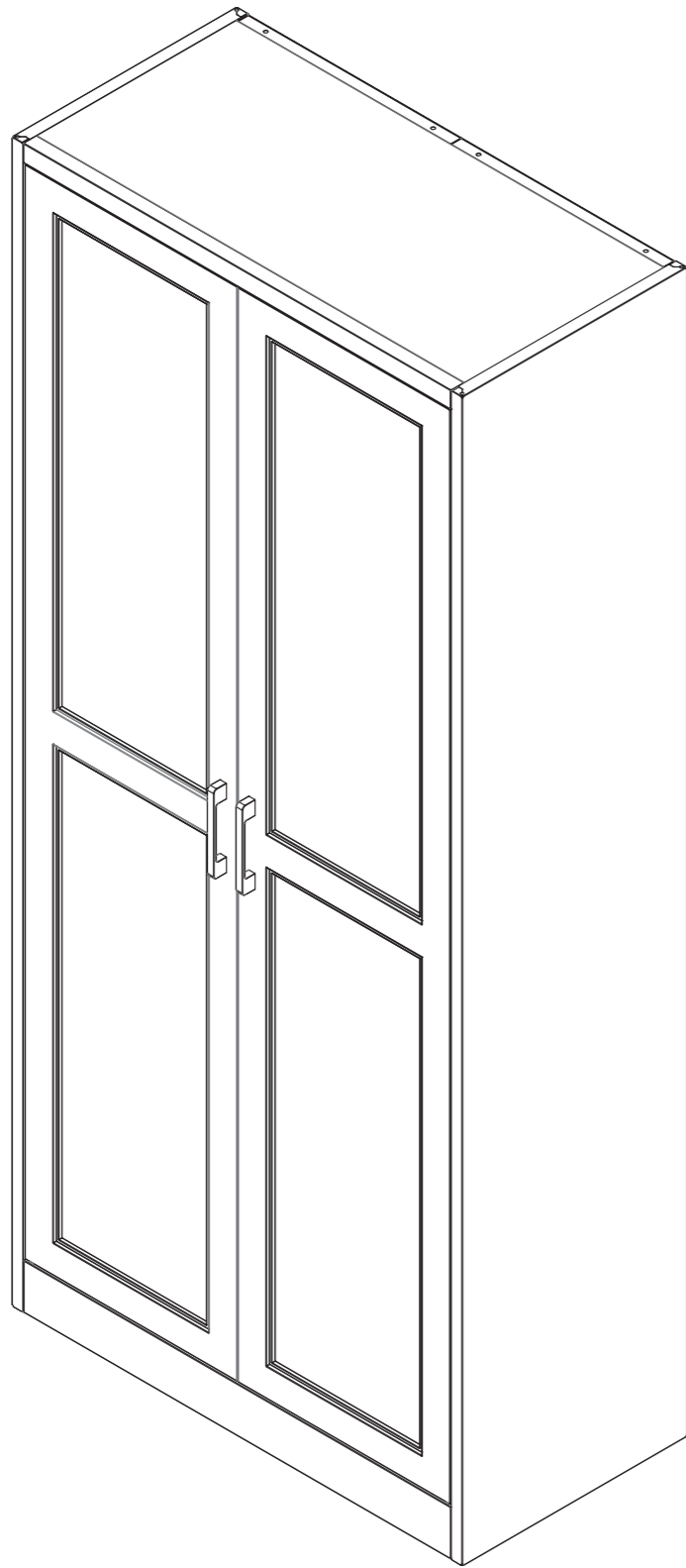
If you found the right door(K) is lower than the left door(L), please adjust the front-right feet in a anticlockwise direction.



If you found the left door (L) is lower than the right door (K), please adjust the front-left feet in a anticlockwise direction.

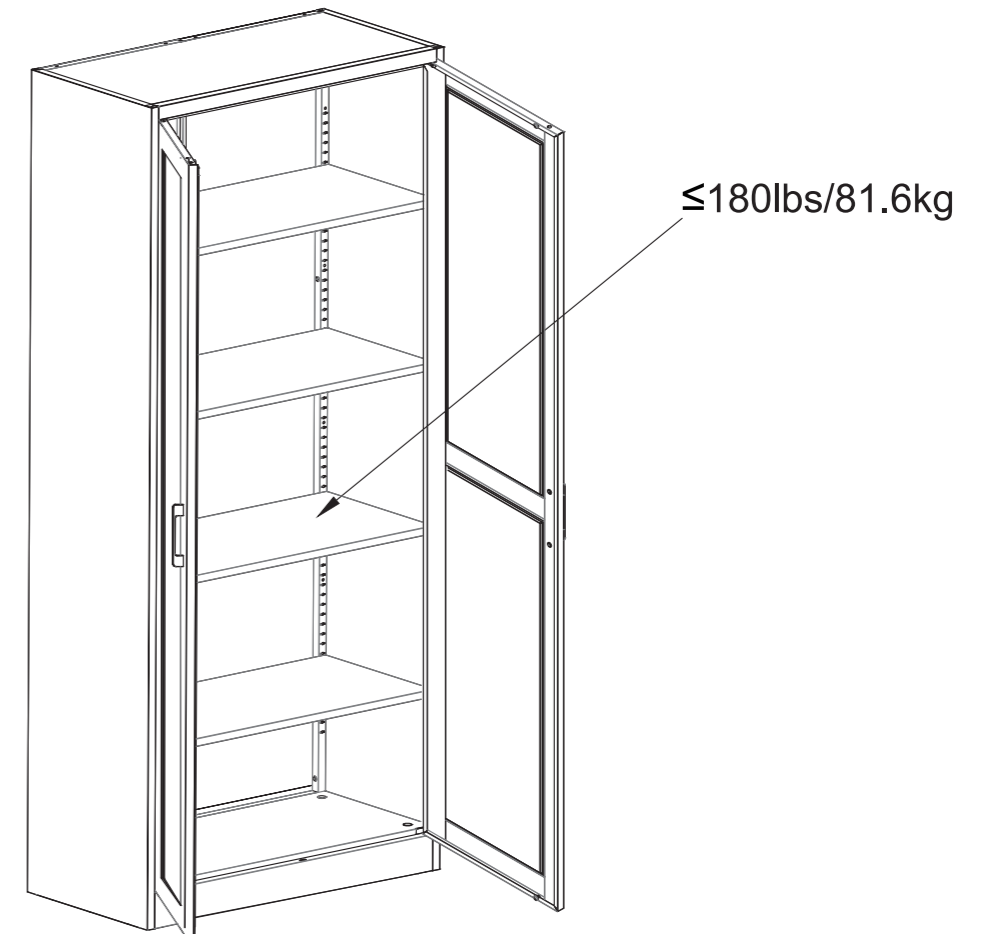


COMPLETION



General Care

Cautions: The load-bearing limit for each shelf is 180lbs only when the weight is spread evenly. Don't try to load over the limit nor load heavy items onto one position of the shelf.



Cleaning

- For cleaning, wipe the surface with a damp (not wet) cloth or wipe dry with a clean lint free cotton cloth.
- Window cleaning liquid or a similar cleaning liquid can be used to clean the surface.