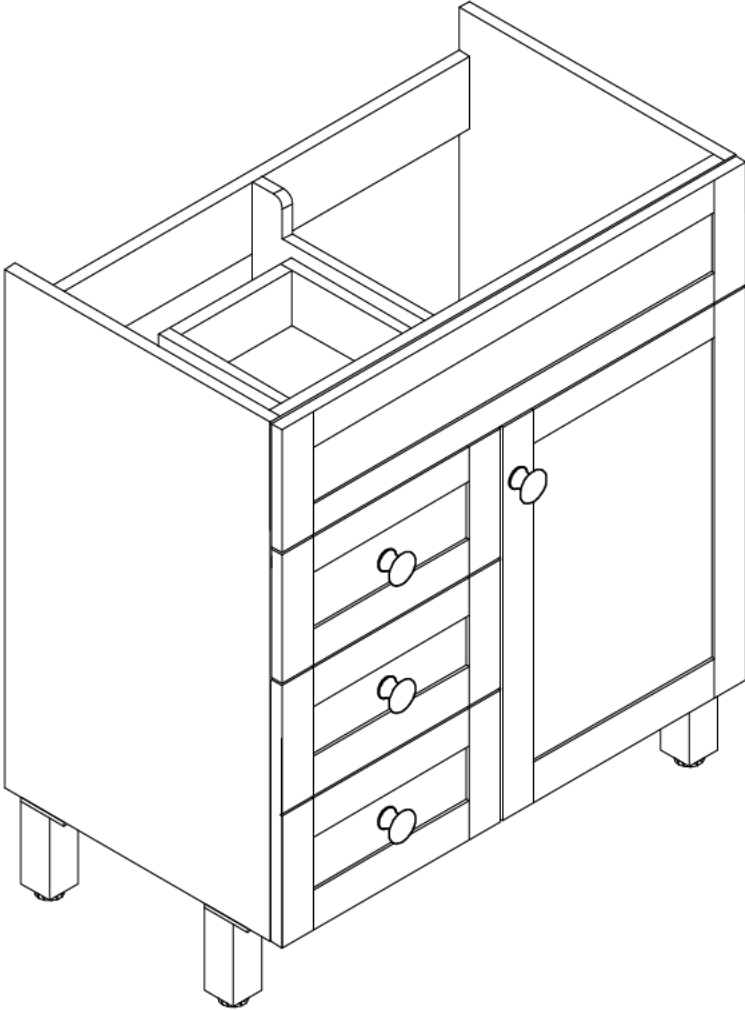
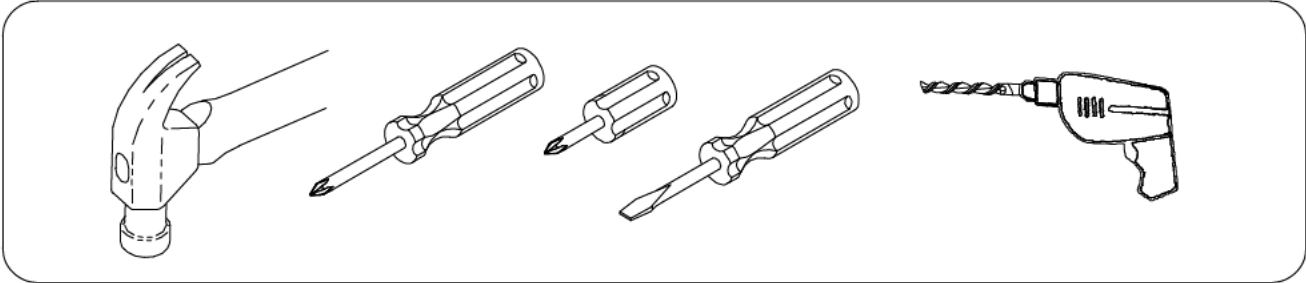


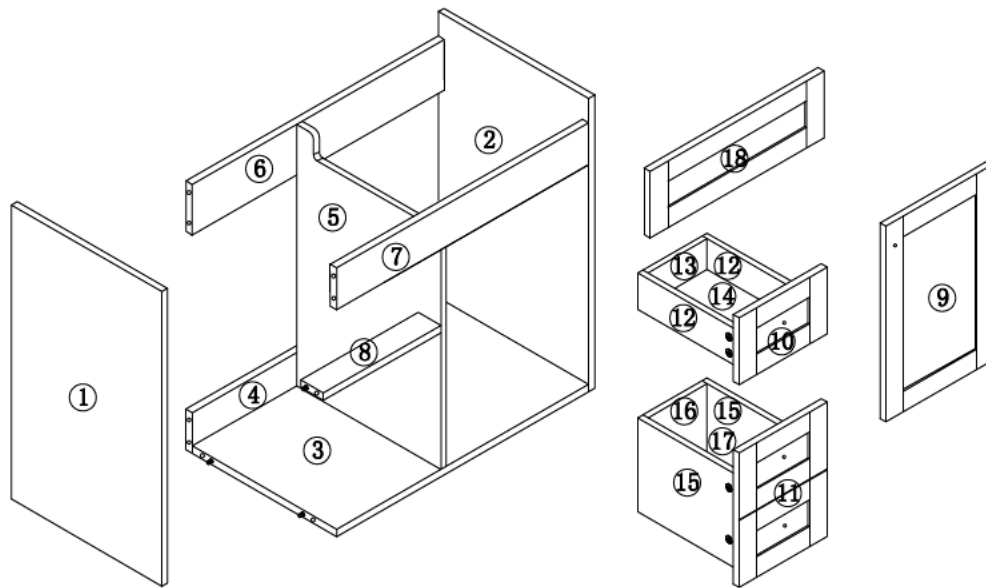
# DIMENSIONS



## YOU MAY NEED (NOT SUPPLY)



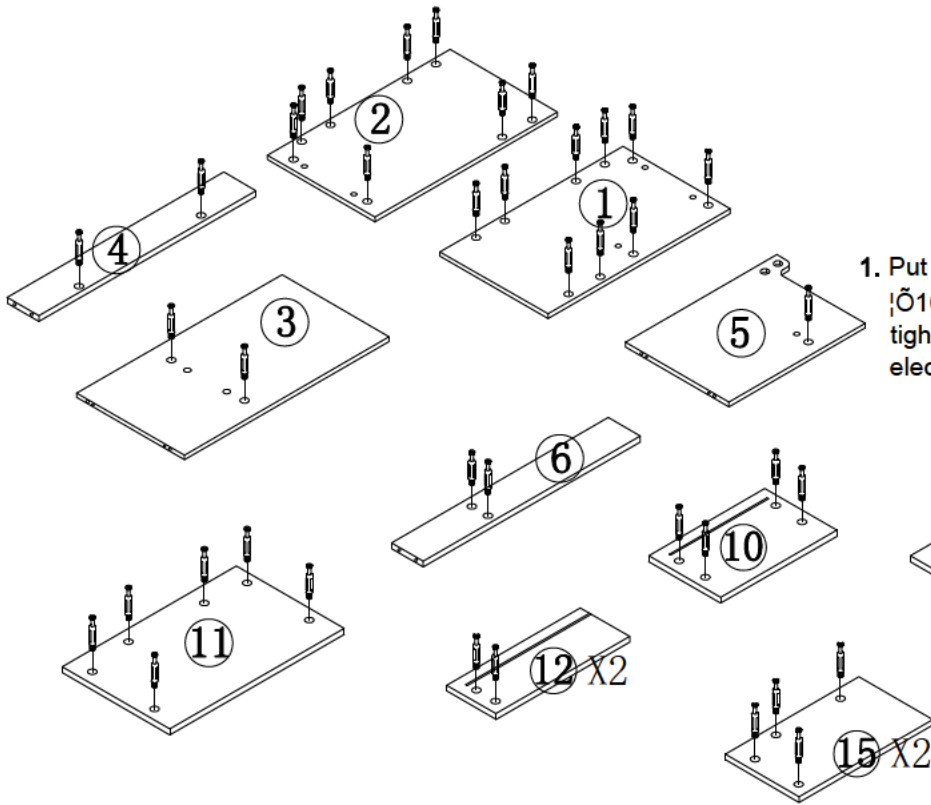
# ASSEMBLY DIAGRAM





PARTS LIST					
NO	DESCRIPTION	QTY	NO	DESCRIPTION	QTY
①	Left side panel	1	⑩	Left Drawer front panel	1
②	Right side panel	1	⑪	Right Drawer front panel	1
③	Bottom panel	1	⑫	Drawer side panel	2
④	Lower back panel	1	⑬	Left Drawer rear panel	1
⑤	Center partition Panel	1	⑭	Left Drawer bottom panel	1
⑥	Upper front panel	1	⑮	Drawer side panel	2
⑦	Upper back panel	1	⑯	Left Drawer rear panel	1
⑧	Left front center plate	1	⑰	Left Drawer bottom panel	1
⑨	Right door panel	1	⑱	Front baffle panel	1

PARTS LIST					
HARDWARE LIST					
NO	DESCRIPTION	QTY	NO	DESCRIPTION	QTY
A	Three-in-one eccentric wheel	53	G	4*18mm screw	3
B	Three-In-one connecting rod	53	H	4*23mm screw	1
C	Three-in-one sticker	53	I	Door handle	1
D	8*40mm wood dowel pins	8	J	Drawer handle	3
E	Drawer slides	4	K	Aluminum alloy leg	4
F	4*16mm screw	40	L	Door hinge	2
CAUTION: Please confirm the parts list before installation					

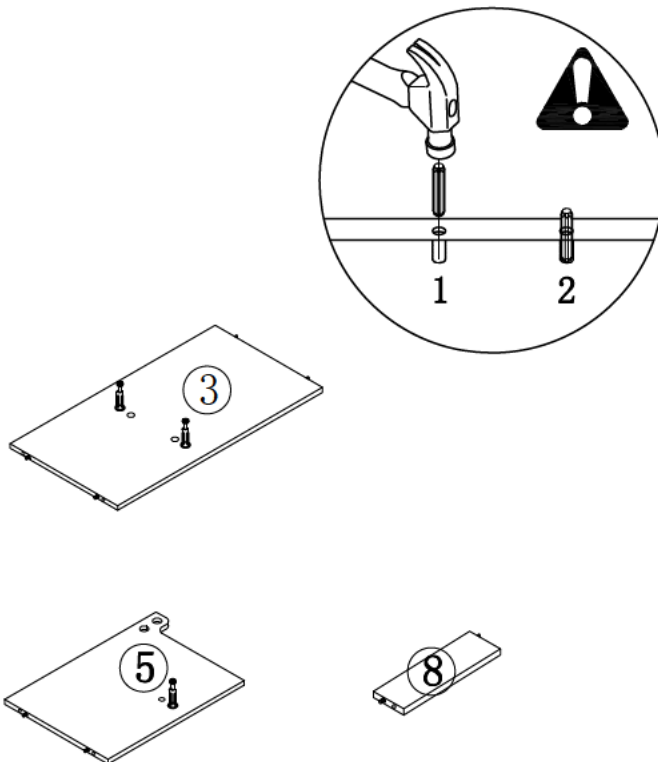
# STEP 1





HARDWARE LIST	
Three-in-one connecting rod B  52 PCS	

1. Put the three-in-one connecting rod in the  $\varnothing 10\text{mm}$  hole of the following panels and tighten them with a cross screwdriver or an electric tool.

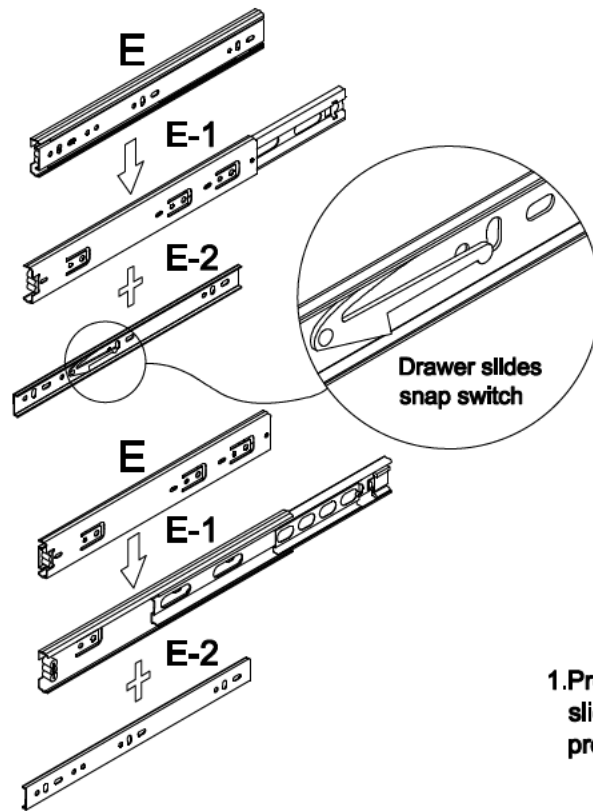
# STEP 2



1. Strike the  $\varnothing 8 \times 40\text{mm}$  wood dowel pin into the  $\varnothing 8\text{mm}$  hole of the above panels with an iron hammer. Please note that the hole of the three-in-one connecting rod should also be 8mm. The hole of the three-in-one connecting rod connects to the hole of  $\varnothing 15\text{mm}$  three-in-one eccentric wheel.

HARDWARE LIST	
8*40mm wood dowel pins D  8 PCS	

# STEP 3

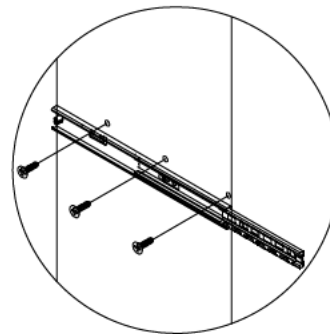
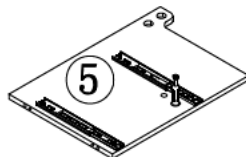
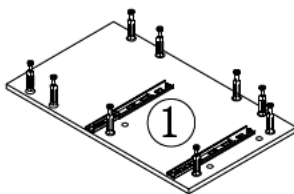


HARDWARE LIST	
Drawer slides	
E  4 PCS	

1. Press the side snap switch, disassemble side blocks and put them in a place properly for further use.

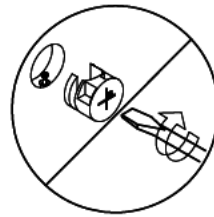
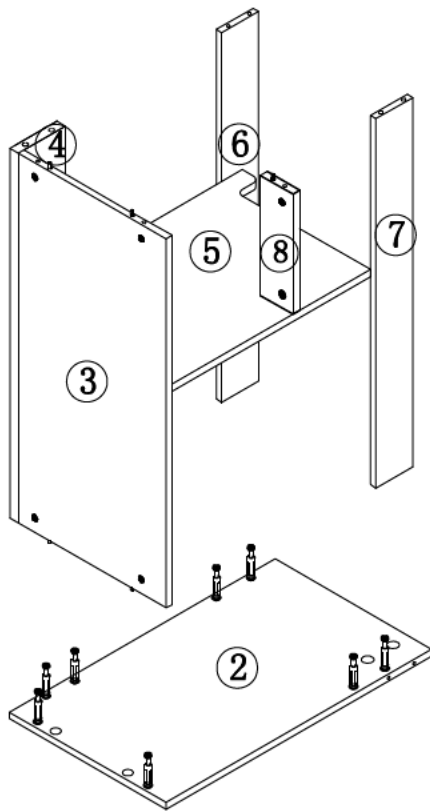
# STEP 4

1. Fix the drawer slide to the side panel with 4\*16mm screws.

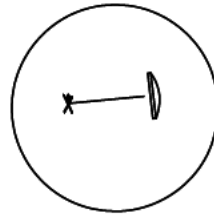


HARDWARE LIST		
4*16mm screw	Drawer slides	
F  12PCS	E-1  4PCS	

# STEP 5






1. Connect No. 3-6-7-8 panel to No.2 panel tightly with the three-in-one eccentric wheel.

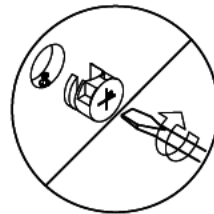
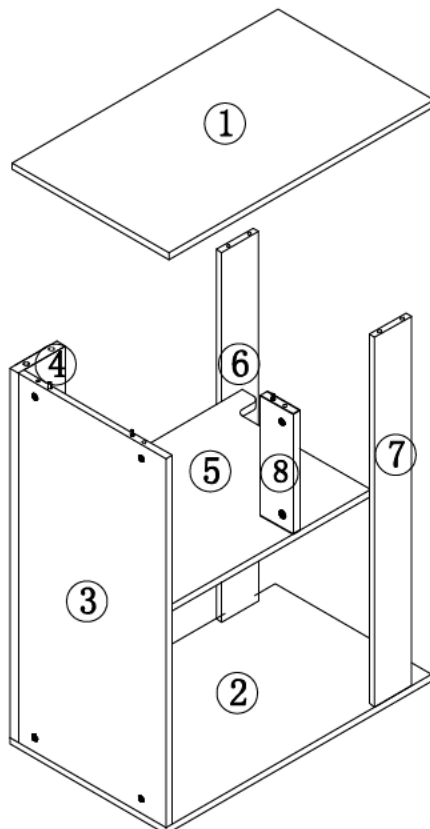


2. Cover the mounting hole of the eccentric wheel with a three-in-one sticker.

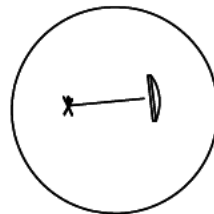
## HARDWARE LIST

Three-in-one eccentric wheel A  11PCS	Three-in-one sticker C  11PCS	
--	--	--

# STEP 6






1. Connect No. 1 panel to No. 3-4-6-7-8 panel tightly with the three-in-one eccentric wheel.

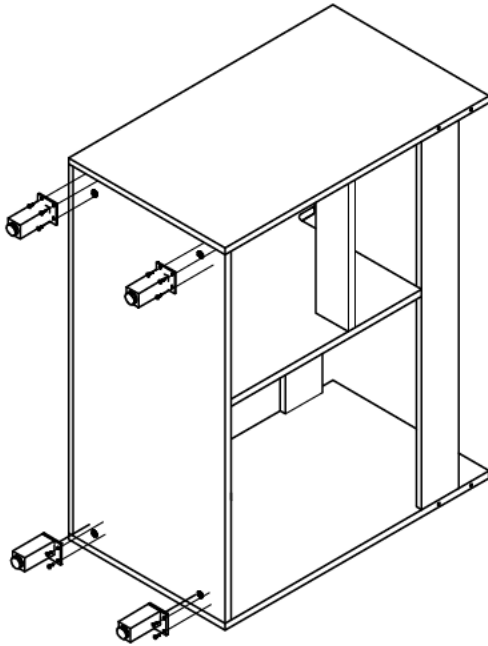


2. Cover the mounting hole of the eccentric wheel with a three-in-one sticker.

## HARDWARE LIST

Three-in-one eccentric wheel A  9PCS	Three-in-one sticker C  9PCS	
--	--	---

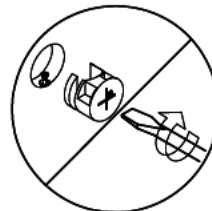
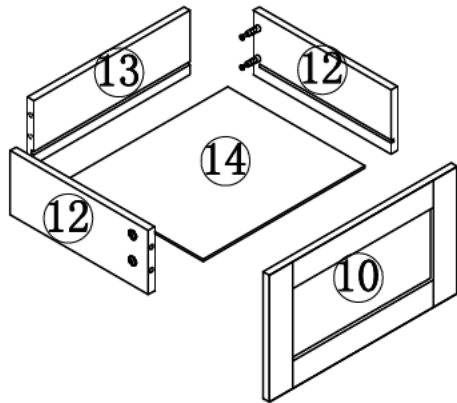
# STEP 7



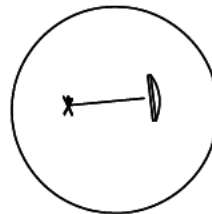
1. Fix feet of the cabinet with 4\*16mm screws.

HARDWARE LIST		
4*16mm screw	Aluminum alloy leg	
F  12PCS	K  4PCS	

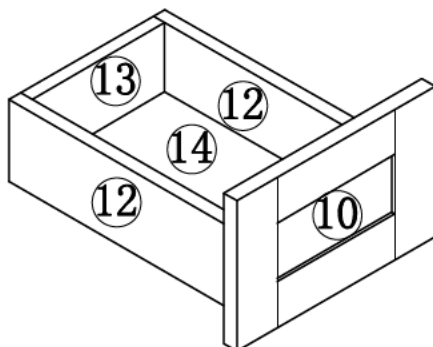
# STEP 8






1. Install No. 12-14-15-16 panels with the three-in-one eccentric wheel tightly.

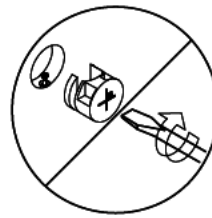
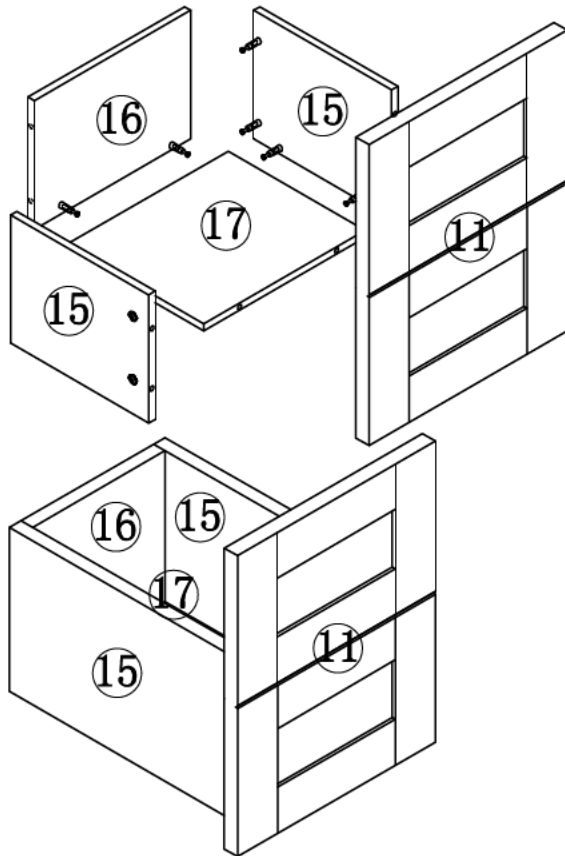


2. Cover the mounting hole of the eccentric wheel with a three-in-one sticker.

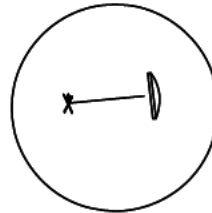


HARDWARE LIST		
Three-in-one eccentric wheel	Three-in-one sticker	
A  8PCS	C  8PCS	

## STEP 9






1. Install No. 13-14-17-18 panels with the three-in-one eccentric wheel tightly.

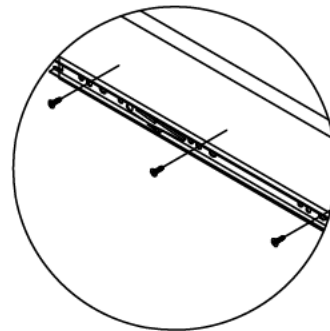
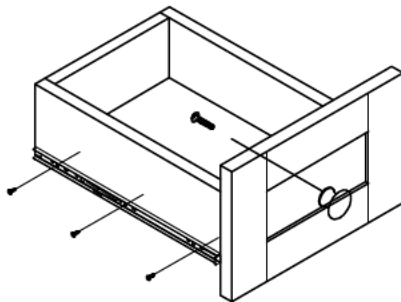


2. Cover the mounting hole of the eccentric wheel with a three-in-one sticker.

### HARDWARE LIST

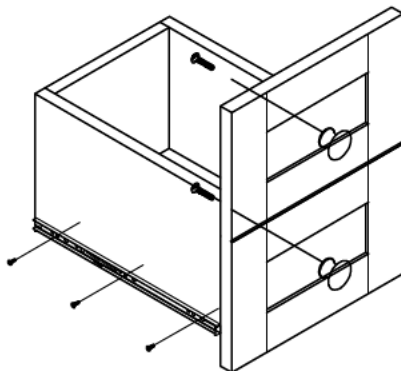
Three-In-one eccentric wheel A  16PCS	Three-In-one sticker C  16PCS	
--	--	--

## STEP 10








1. Lock the spare drawer slide block to the drawer.

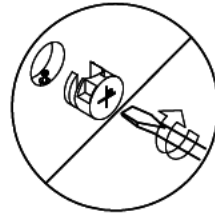
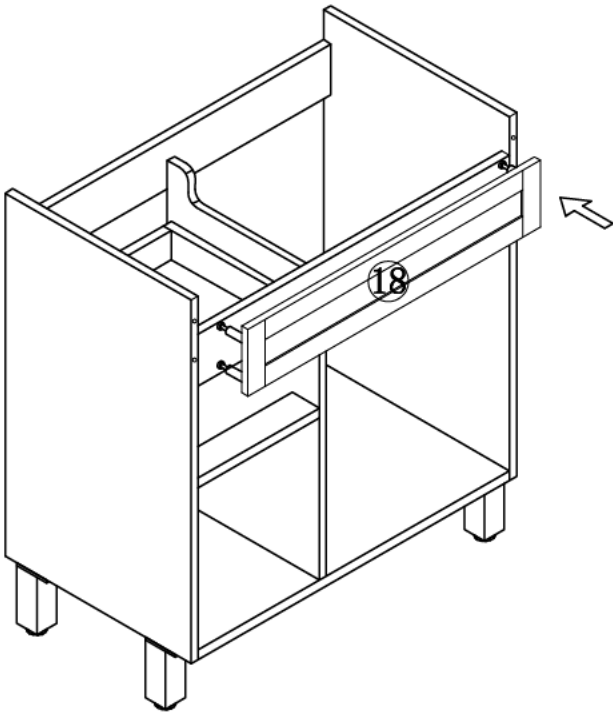
2. Install the drawer handle with 4\*18 handle screws.



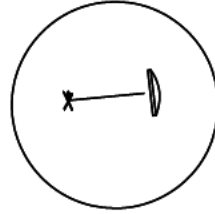
### HARDWARE LIST

4*16mm screw F  12PCS	Drawer slides E-2  4PCS	
4*18mm screw H  3PCS	Drawer handle J  3PCS	

## STEP 11





1. Install No.9 panels with the three-in-one eccentric wheel tightly.



2. Cover the mounting hole of the eccentric wheel with a three-in-one sticker.

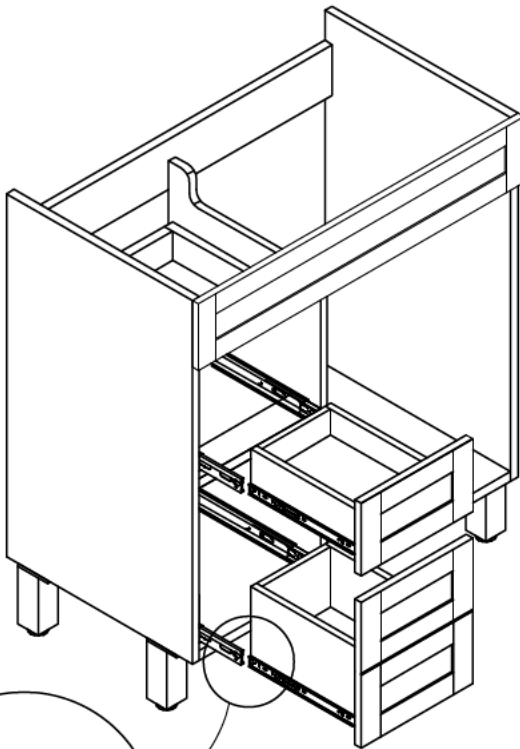
### HARDWARE LIST

Three-In-one  
eccentric wheel  
A  4PCS

Three-In-one  
sticker  
C  4PCS

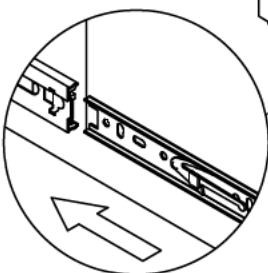


## STEP 12

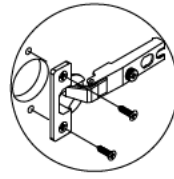
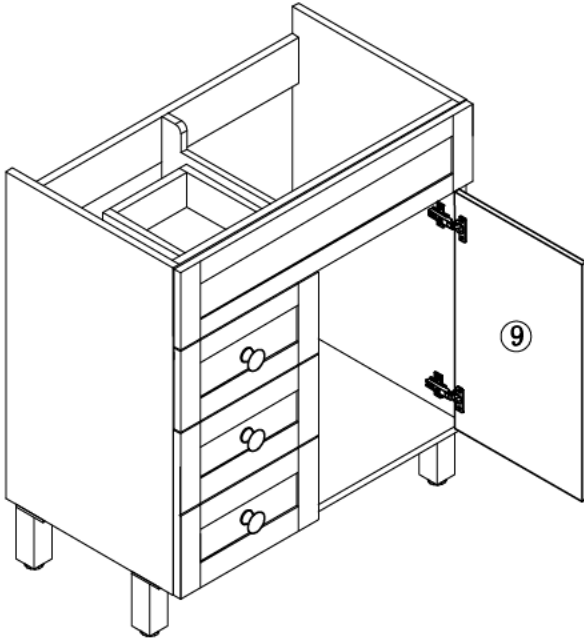


1. Align slide block with the trough on the guide rail, press the snap switch and press it forward to install the drawer.

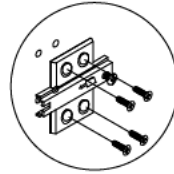
2. Install drawer handles.



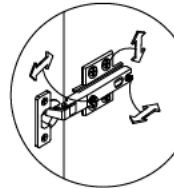
# STEP 13



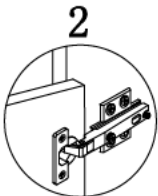
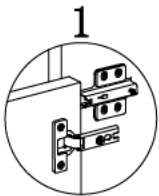
1. Install the hinge cup to the door panel with 4\*16mm screws.



2. Install the hinge to the side panel with 4\*16mm screws.



4. Adjust the door panel clearance.

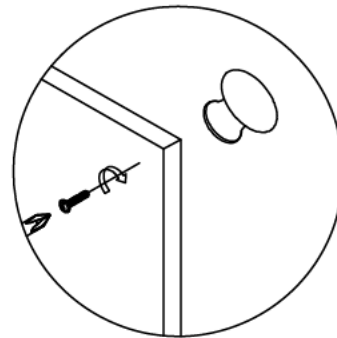
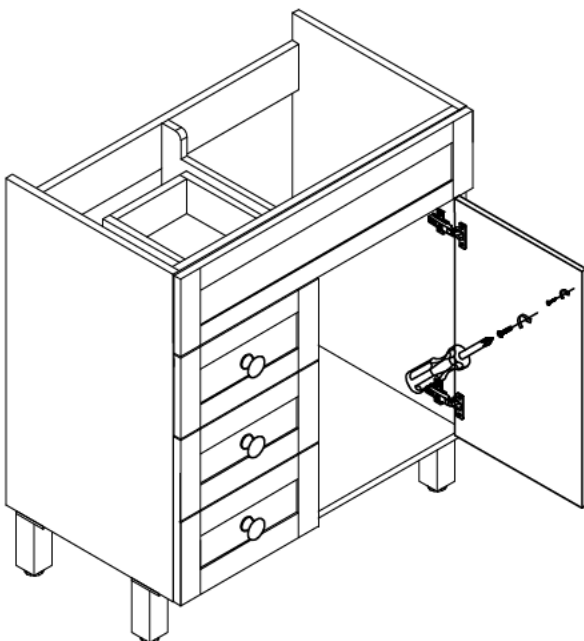


3. Install the hinge cup on the door panel to the hinge of the side panel.

## HARDWARE LIST




4*16mm screw	Door hinge	
F  12PCS	L  2PCS	

# STEP 14



1. Install the door handle with 4\*23 handle screws.

## HARDWARE LIST

4*23mm screw	Door handle	
G  1PCS	I  1PCS	



**Choking hazard-Small Parts :** This unit contains small parts, not for children under 3 years.

**Tip-over hazard :** Secure finished unit to wall stud using L-Bracket and wall screw (#10\*1.5"W/out provided). If a wall stud is not neccessible , Consault your local hardware store for appropriate mounting hardware . Failure to properly install will result in product collapse or tip-over. Serious injury can occur .