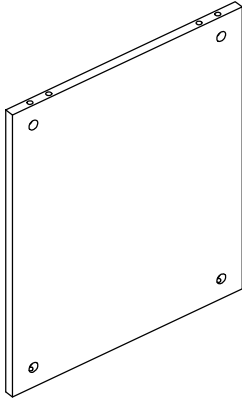
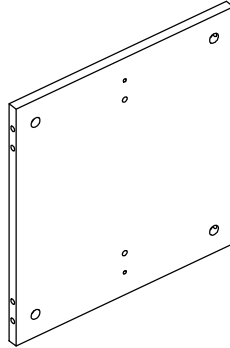


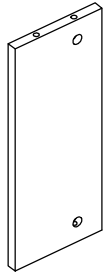
Ax2



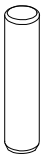
Bx1



Cx2



Dx2



Ex16



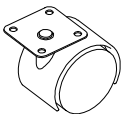
Fx16



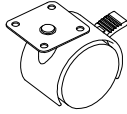
Gx16



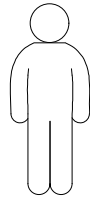
Hx16



Ix2



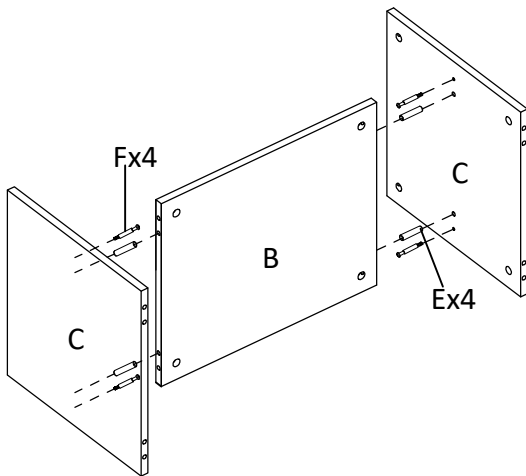
Jx2



mm
inch

x2

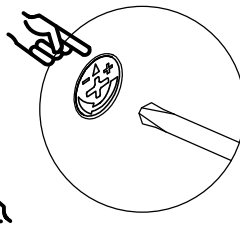
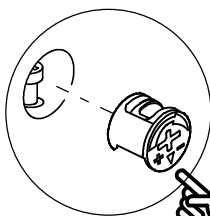
①



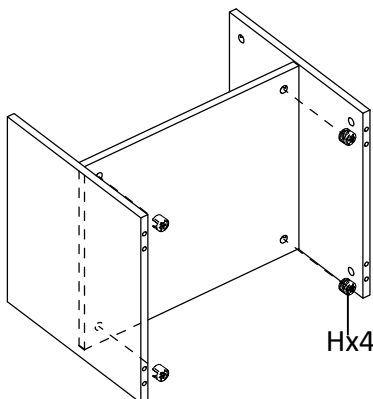
Ex4



Fx4



②



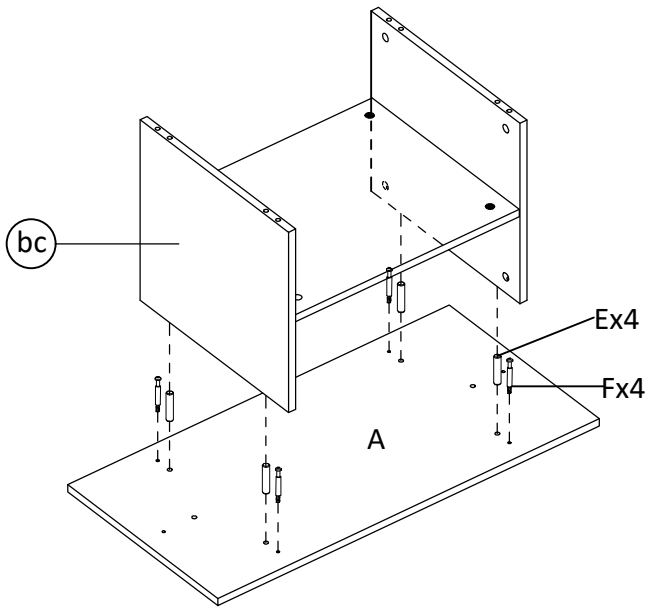
Hx4



bc

Hx4

③



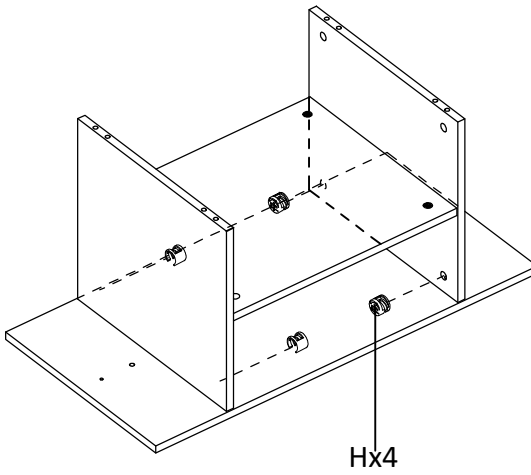
Ex4



Fx4



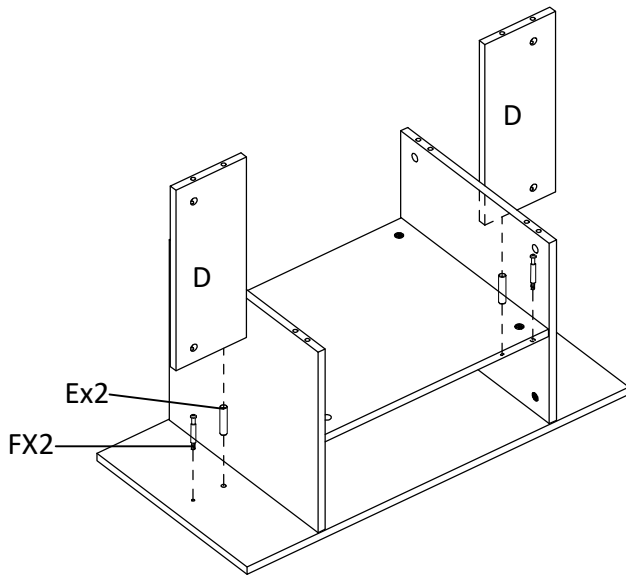
④



Hx4



5



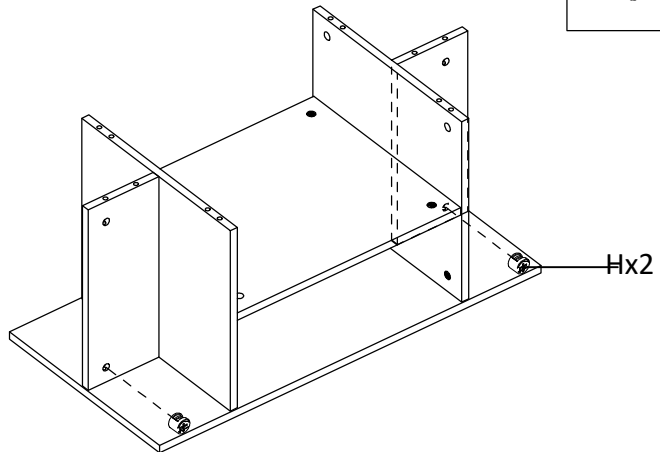
Ex2



Fx2



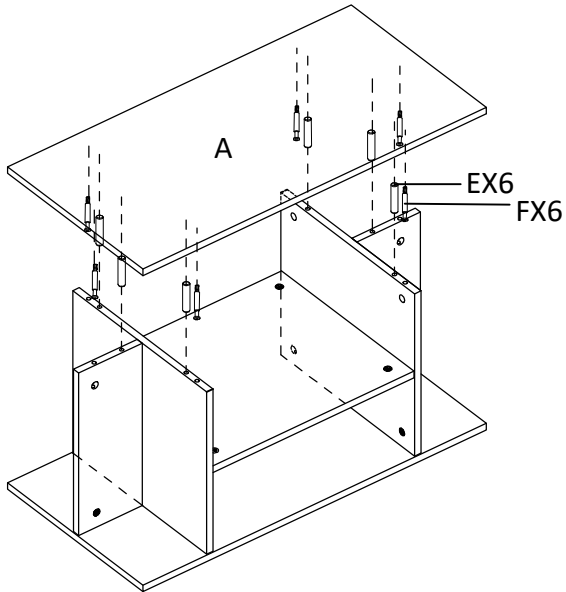
6



Hx2



7



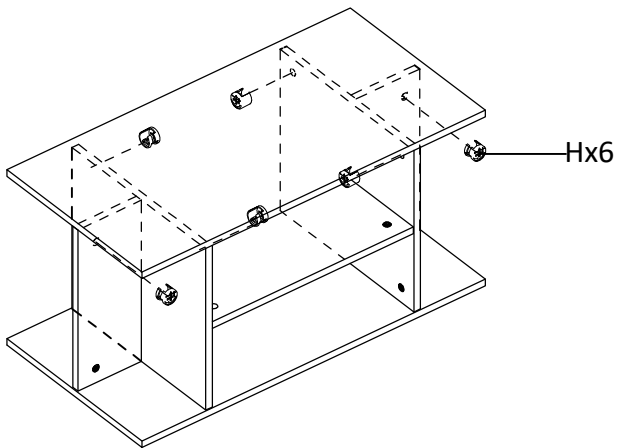
Ex6



Fx6



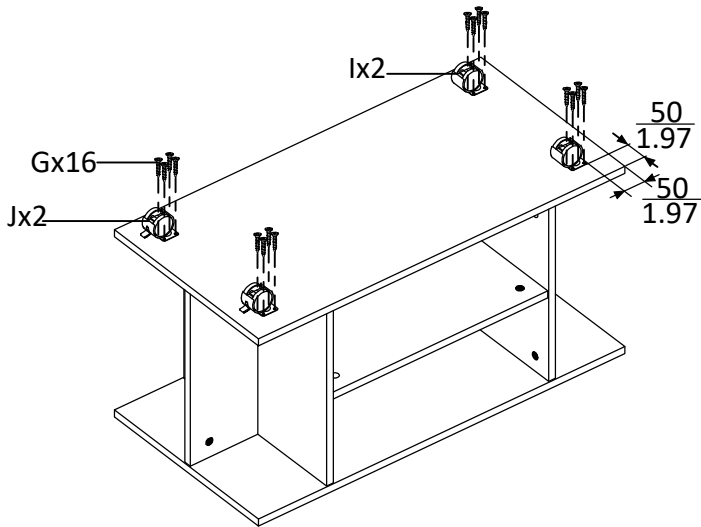
8



Hx6



9



Ix2



Jx2



Gx16



10

