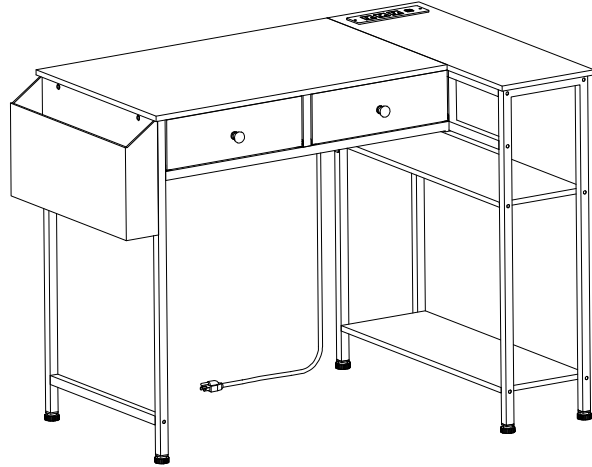
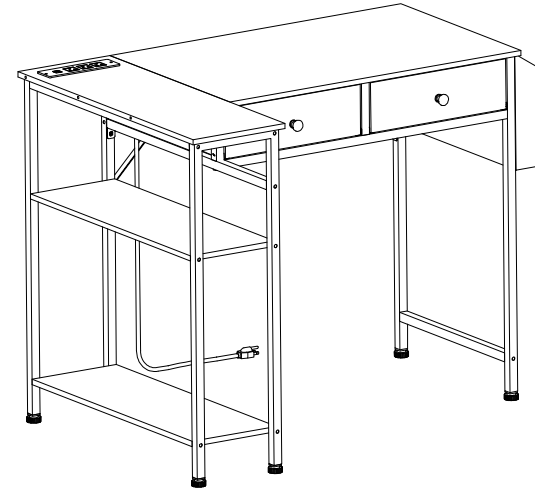


# Important:

## Option 1

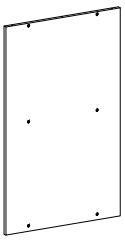
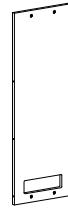

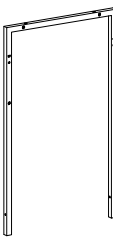
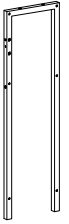
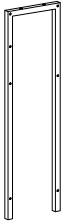










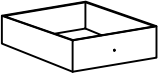







## Option 2

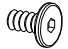
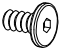
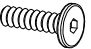


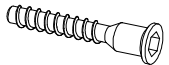

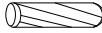




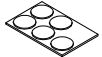



- 1.It's recommended to have two people for the installation, this will significantly improve your efficiency.
- 2.Before you begin: lay out all of the parts on a non-abrasive surface to identify the number tags in the manual and count before assembly. please use the screws correctly to avoid popping the desk panel.
- 3.For a smooth assembly process, we suggest you keep a lite tightness for all the screws during assembly. After the whole desk is assembled, firmly tighten all the screws.

# Part list

<b>A</b>  x1	<b>B</b>  x1	<b>C</b>  x2	<b>D</b>  x1	<b>E</b>  x1	<b>F</b>  x1	<b>G</b>  x1	<b>H</b>  x1	<b>I</b>  x1	<b>J</b>  x1
<b>K</b>  x1	<b>M</b>  x1	<b>N</b>  x1	<b>O</b>  x1	<b>X</b>  x2	<b>L</b>  x2	<b>P</b>  x2	<b>Q</b>  x2	<b>W</b>  x1	<b>Y</b>  x2
				<b>R</b>  x2	<b>Z</b>  x1				

# Hardware list

<b>1</b>  Desktop Lock Specialized M6x10 x2	<b>2</b>  M6x12 x8	<b>3</b>  Desktop Lock Specialized M6x28 x8	<b>4</b>  M6x40 x13	<b>5</b>  M6x30 x1	<b>6</b>  M6x48 x8	<b>7</b>  4.0x12 x2	<b>8</b>  x3	<b>9</b>   x2	<b>10</b>   x1	<b>11</b>  x5	<b>12</b>  x6
---	---	---	--	---	---	---	---	--	---	--	---

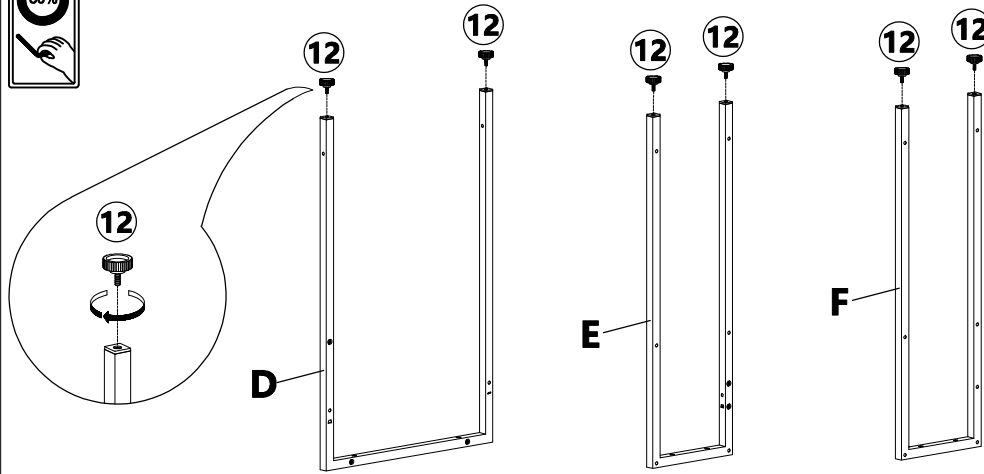
**⚠ Note: The desktop can only be fixed with screws 1 & 3 with different colors !**  
Please use the correct screws for assembling

**Thank you for choosing our product.**

Feel free to contact us in case of any problem regarding assembling or the product itself. Our Customer Service organization can answer most concerns and can assist you with any questions you may have about your product.

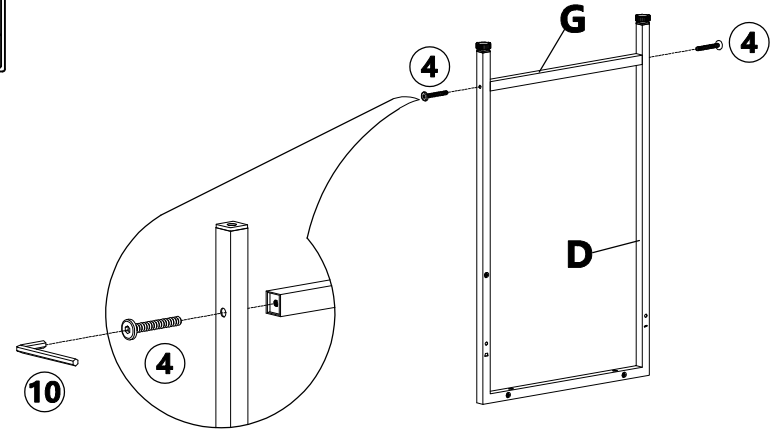
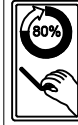
Your satisfaction is our highest pursuit.

**1**



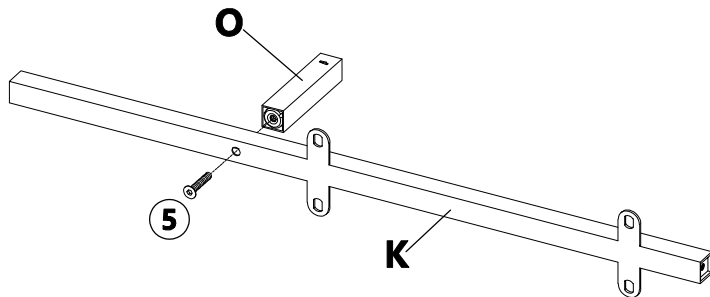
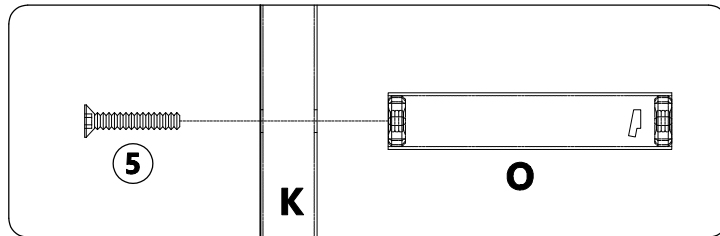
**12** x 6

**2**



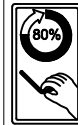
**4** x 2

**3**

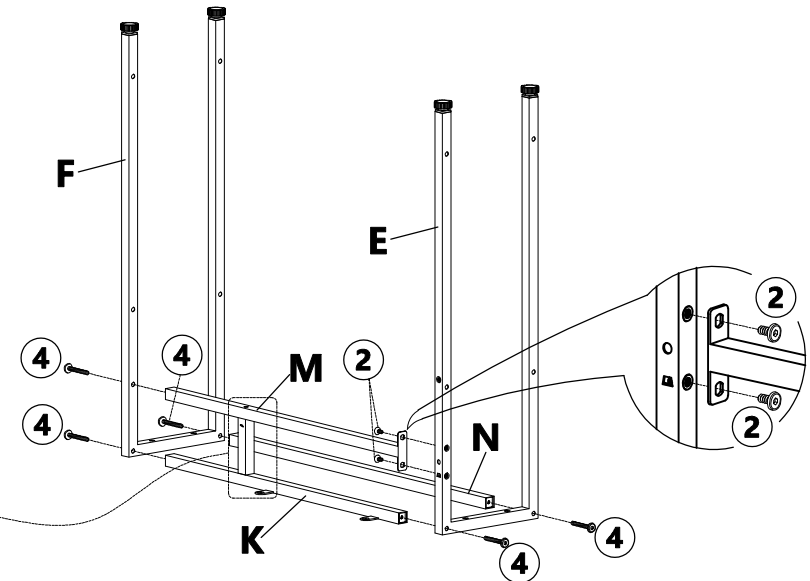
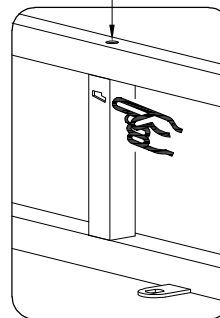


**5** x 1

**4**



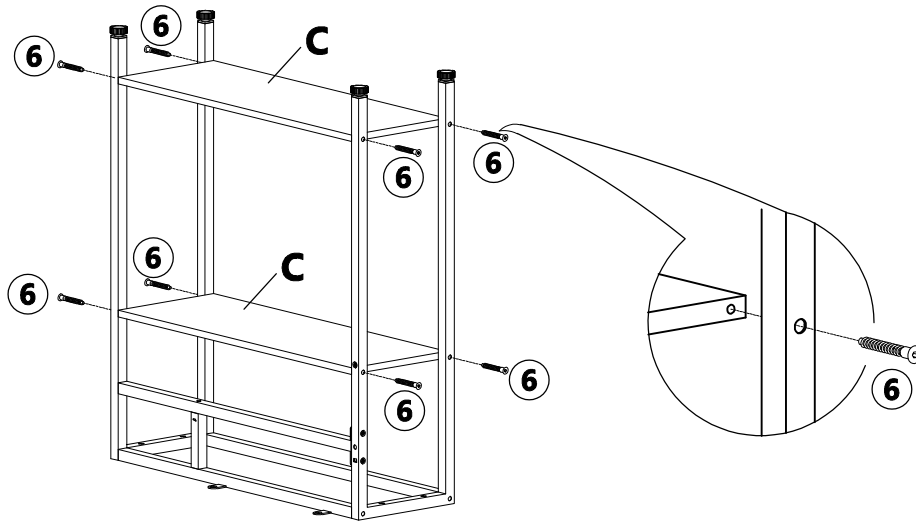
Hole do not lock screws



**2** x 2

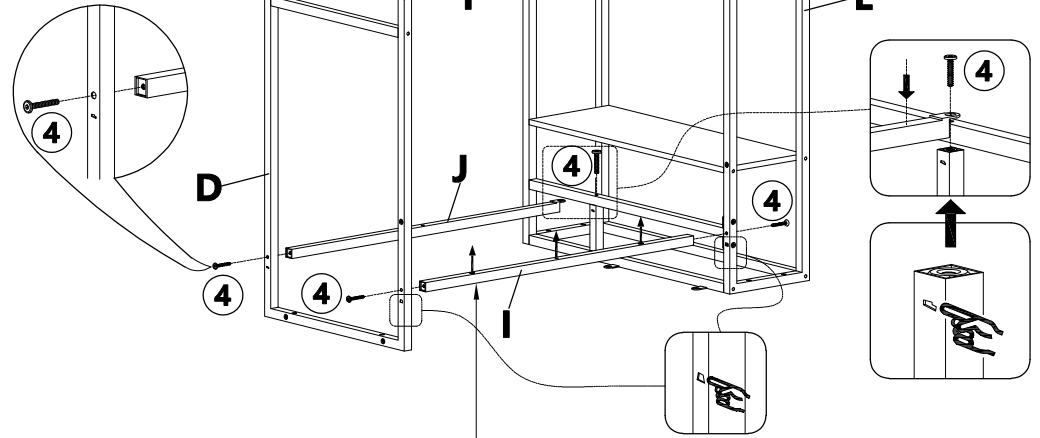
**4** x 5

5



6 x 8

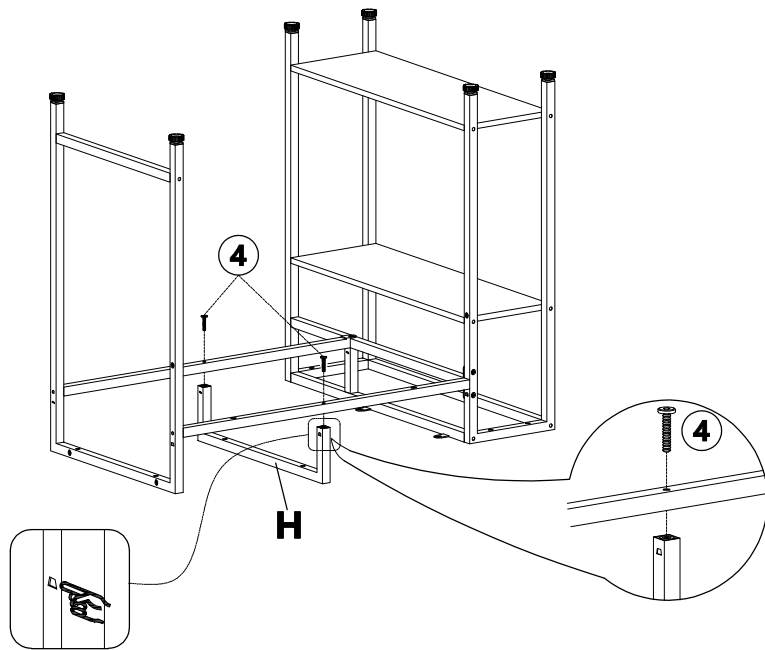
6



The side with 3 holes of  face upward

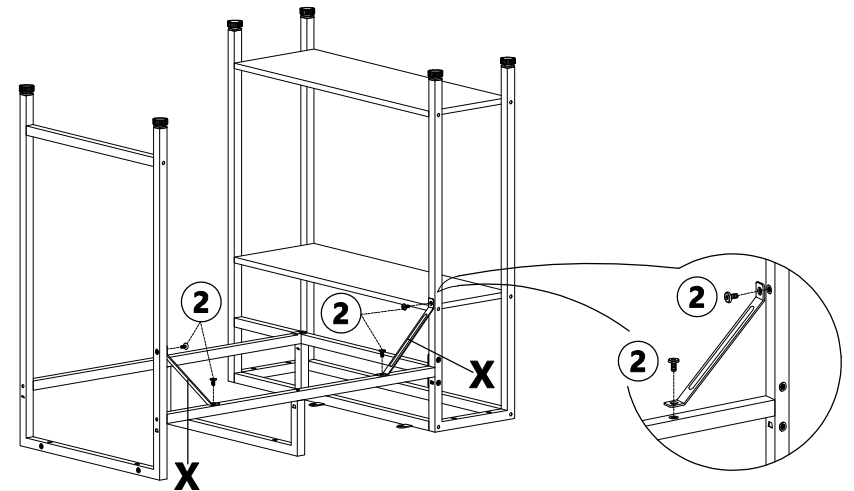
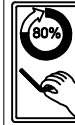
4 x 4

7



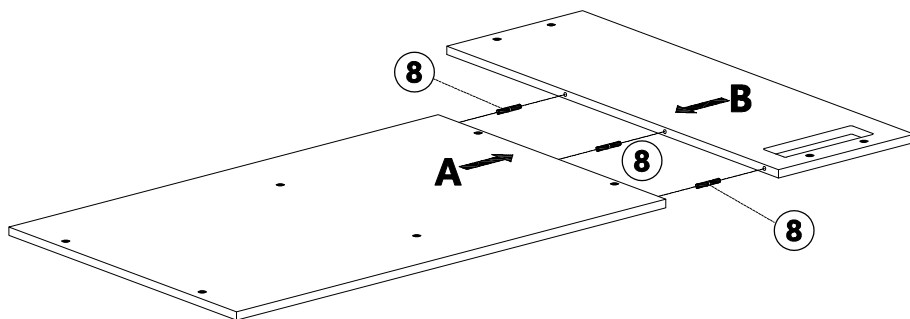
4 x 2

8



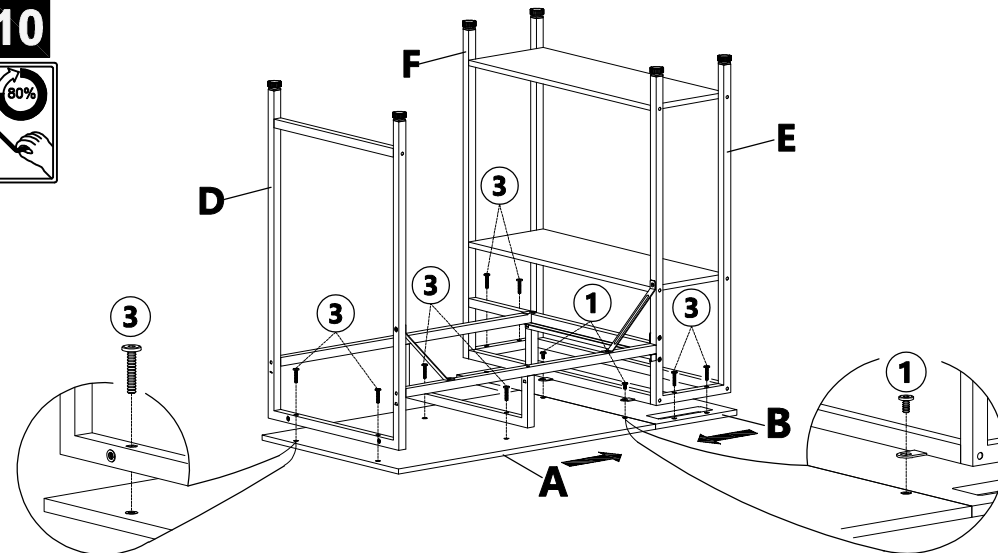
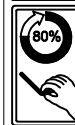
2 x 4

**9**



**8** x 3

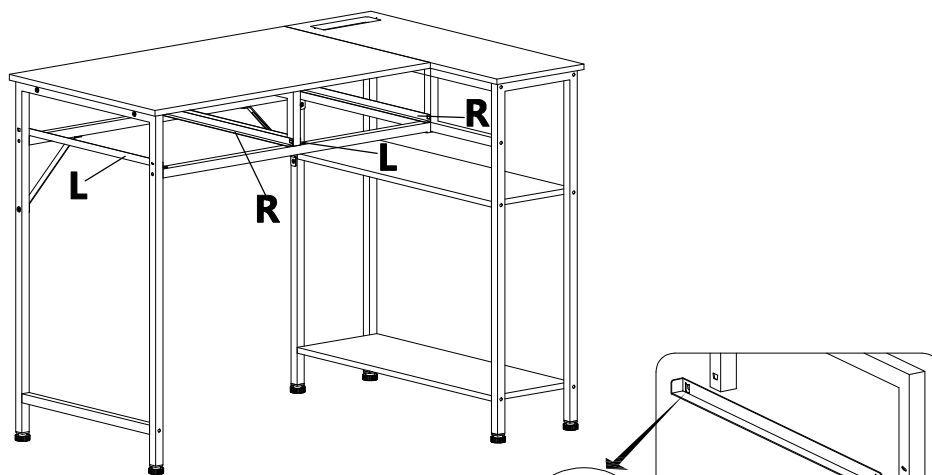
**10**



**!** Do not use the wrong screws, the desktop can only be fixed with screws **1** & **3** !

**1** x 2   **3** x 8

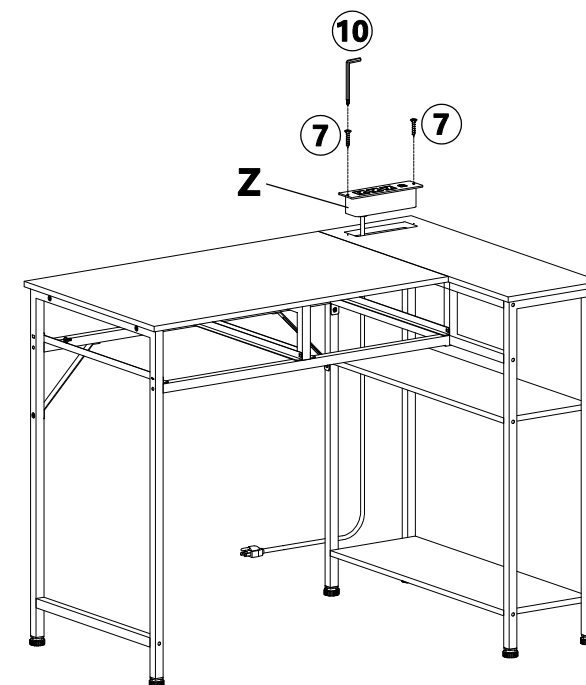
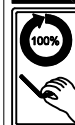
**11**



Note: If the metal tab is not protruding, pry it open slightly.

Note: To install, this end should be inserted firstly, To remove, pull the other end up firstly.

**12**

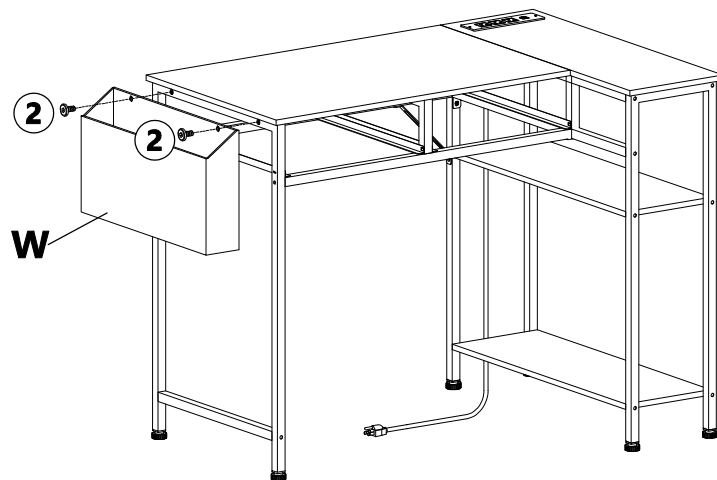
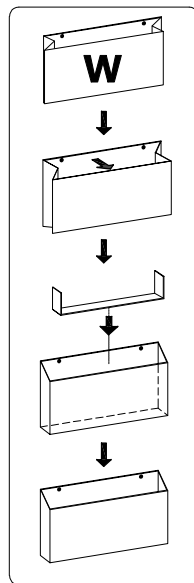


**7** x 2

**13**

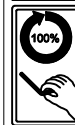


**Option 1-A**

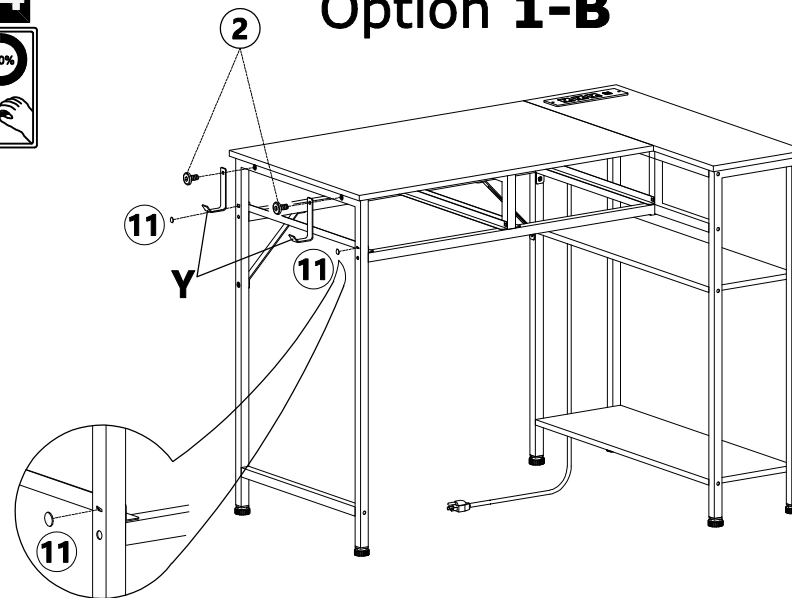


**2** x 2

**14**



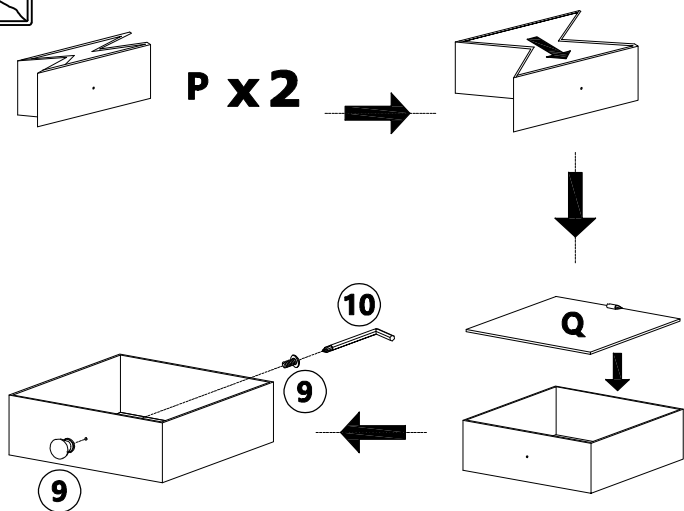
**Option 1-B**



**2** x 2

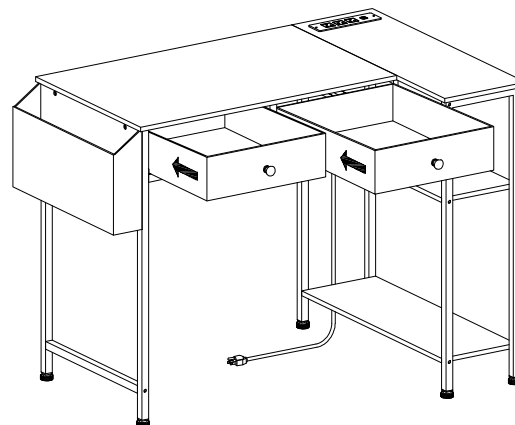
**11** x 2

**15**

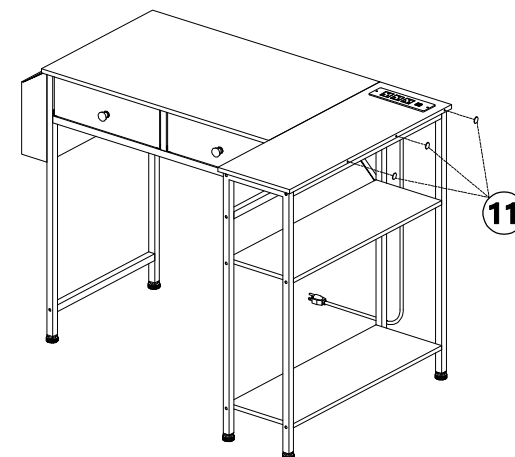
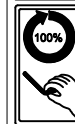


**9** x 2

**16**

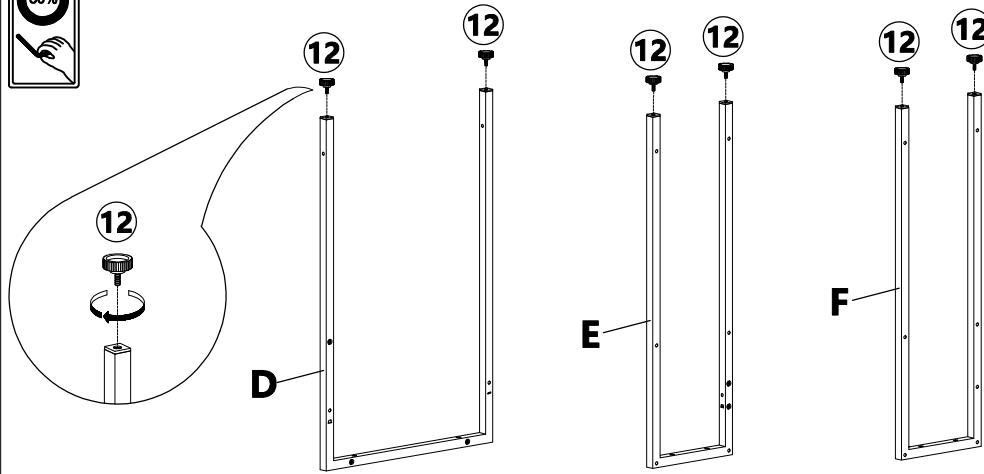


**17**



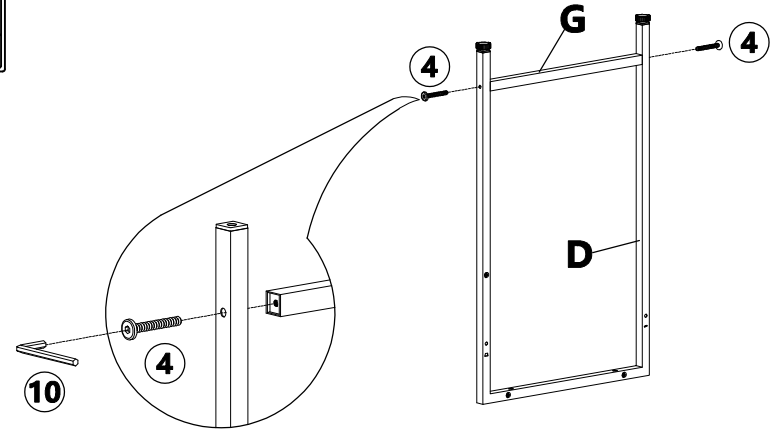
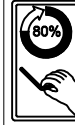
**11** x 3

**1**



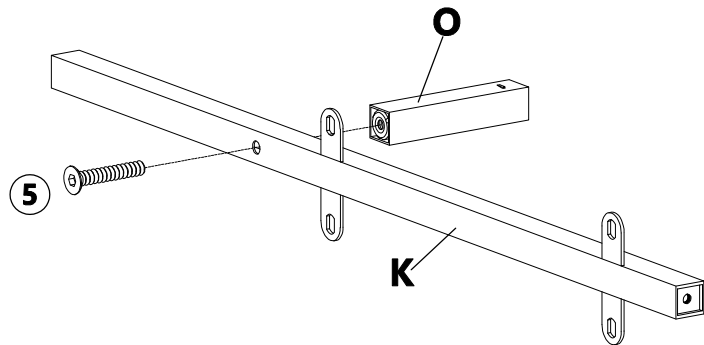
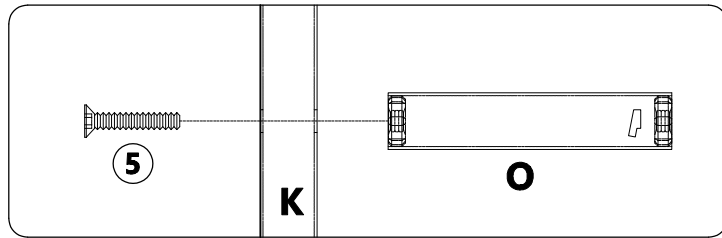
**12** x 6

**2**



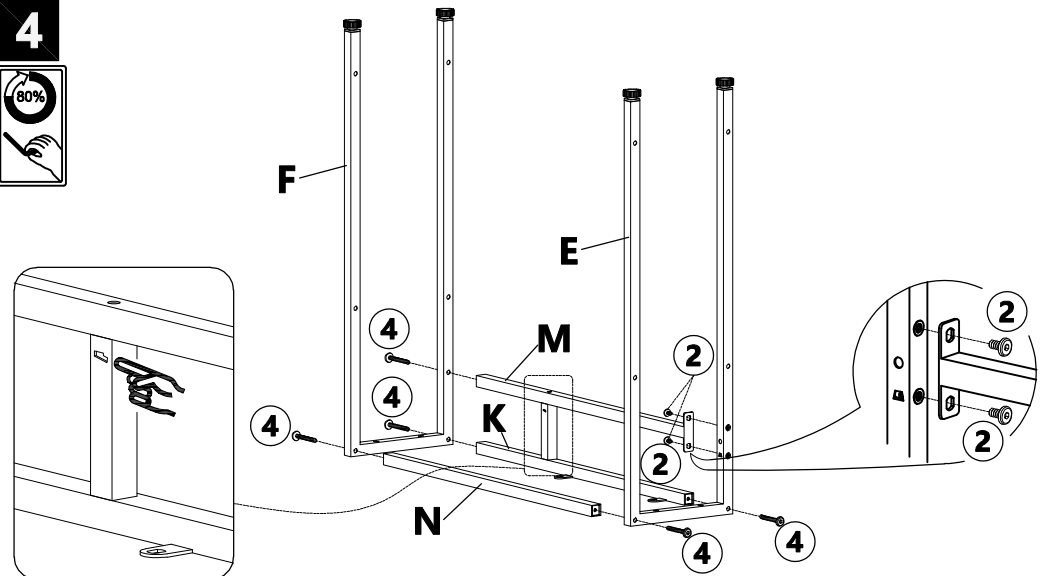
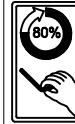
**4** x 2

**3**



**5** x 1

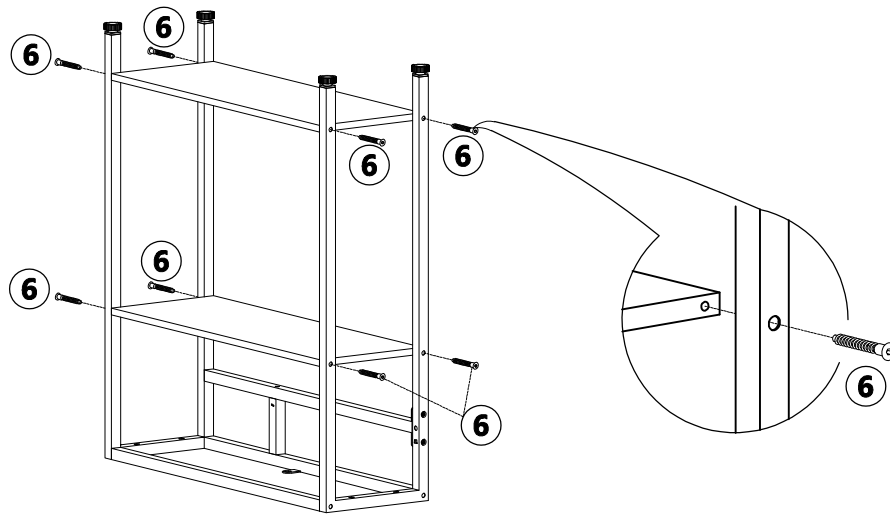
**4**



**2** x 2

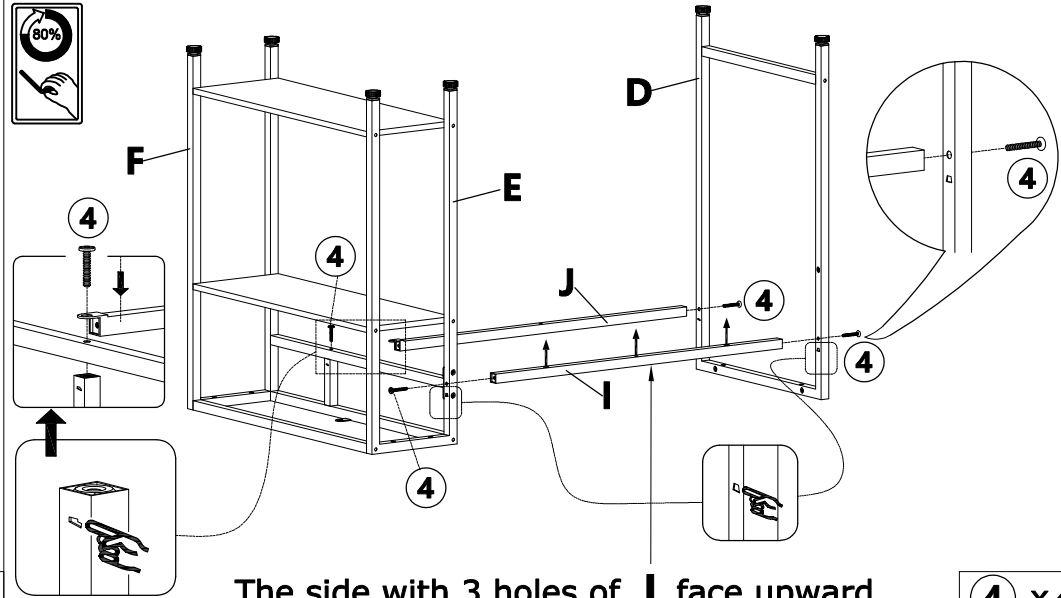
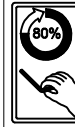
**4** x 5

5



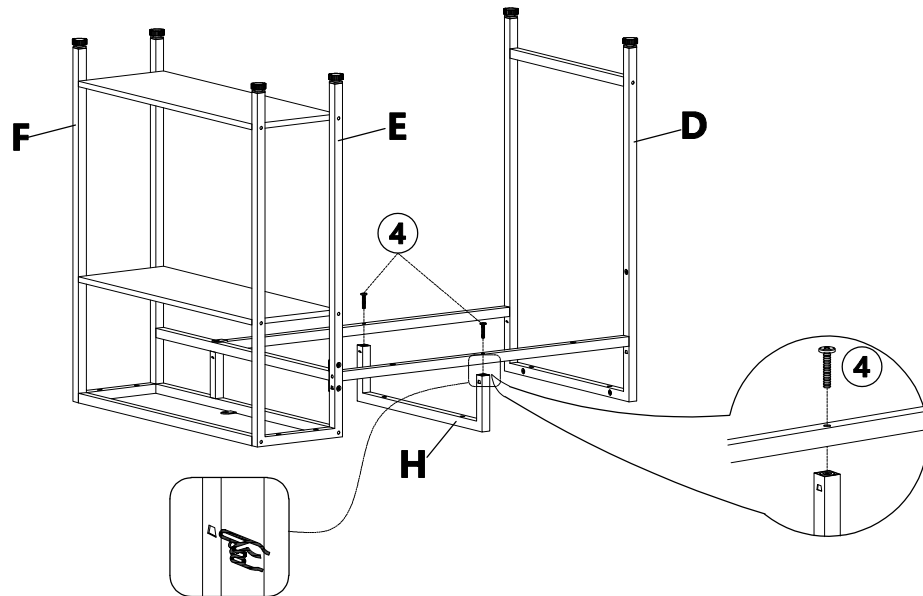
6 x 8

6



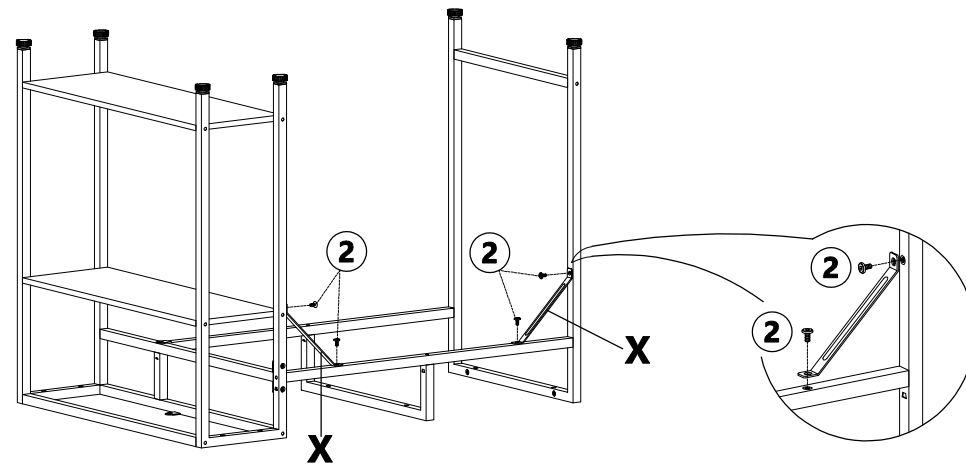
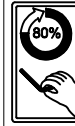
4 x 4

7

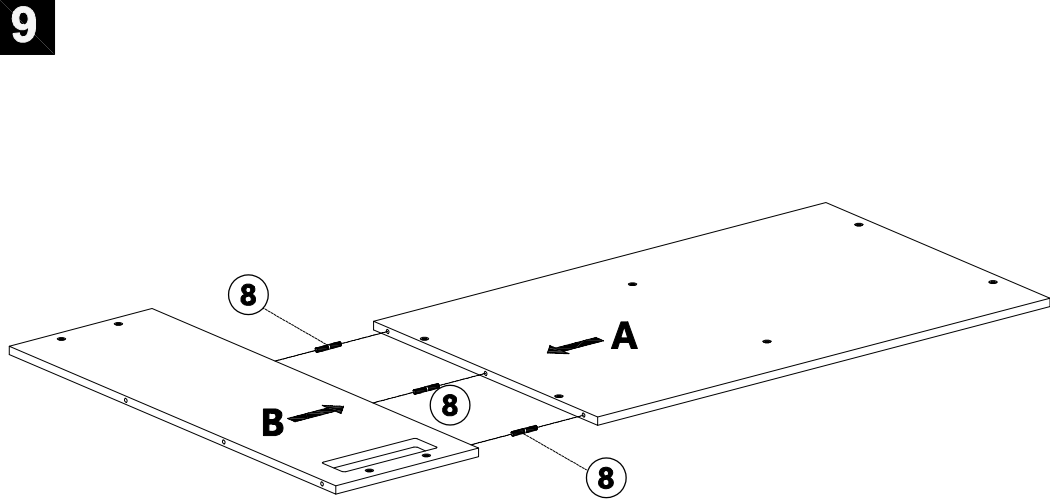


4 x 2

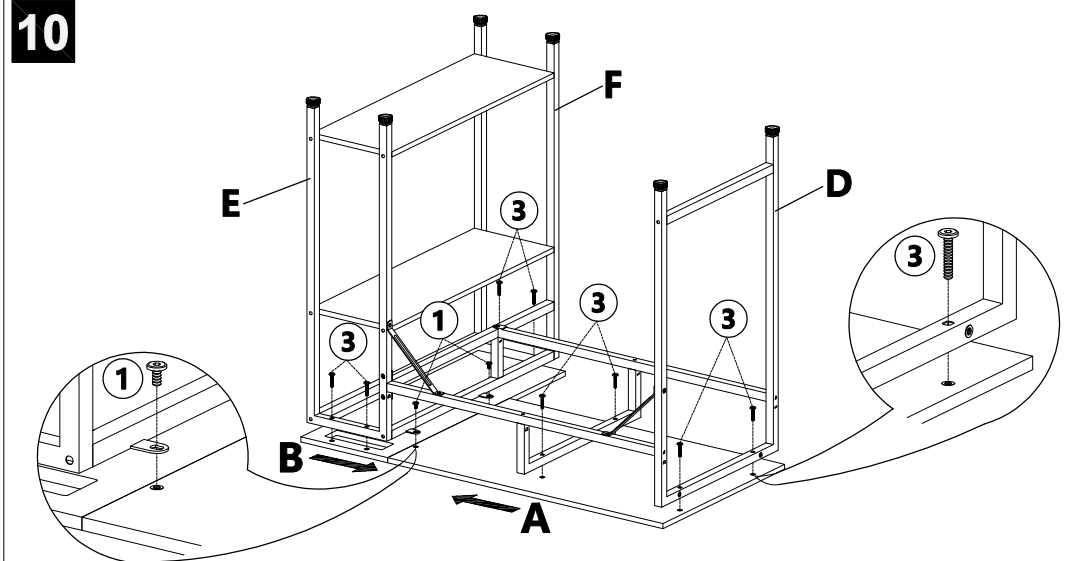
8



2 x 4

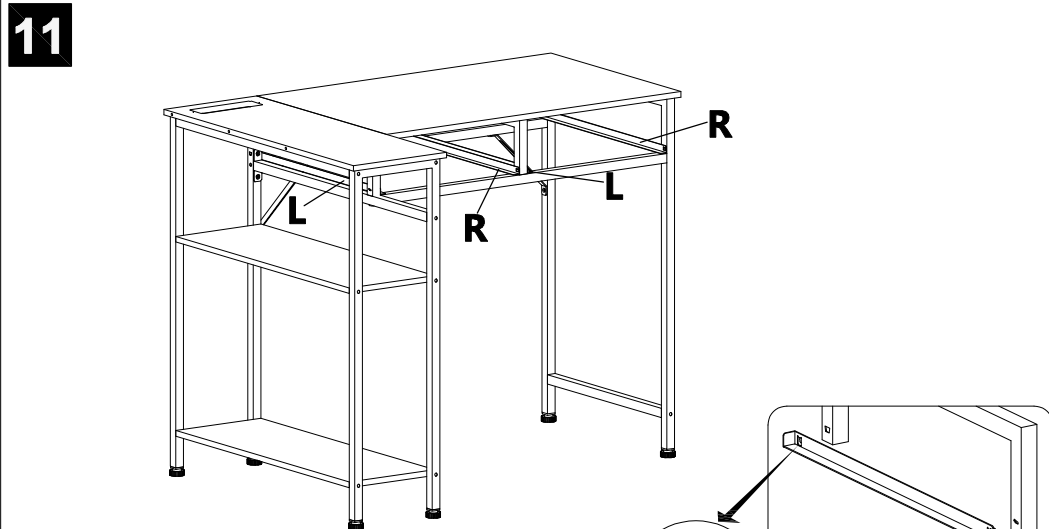


8 x 3



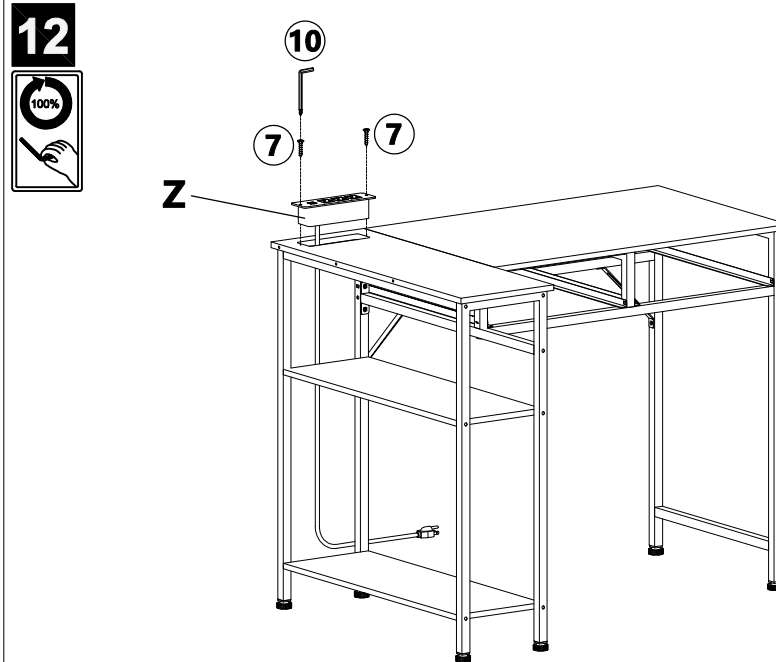
⚠ Do not use the wrong screws, the desktop can only be fixed with screws 1 & 3!

1 x 2 3 x 8



Note: If the metal tab is not protruding, pry it open slightly.

Note: To install, this end should be inserted firstly, To remove, pull the other end up firstly.

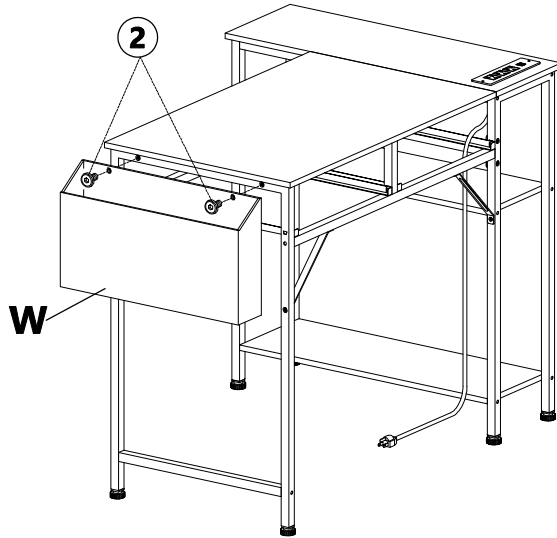
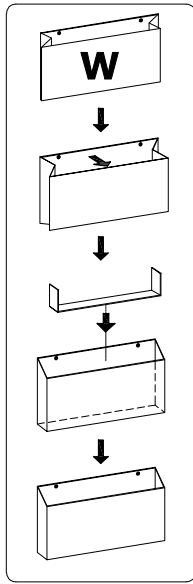


7 x 2

**13**

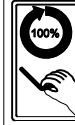


## Option 2-A

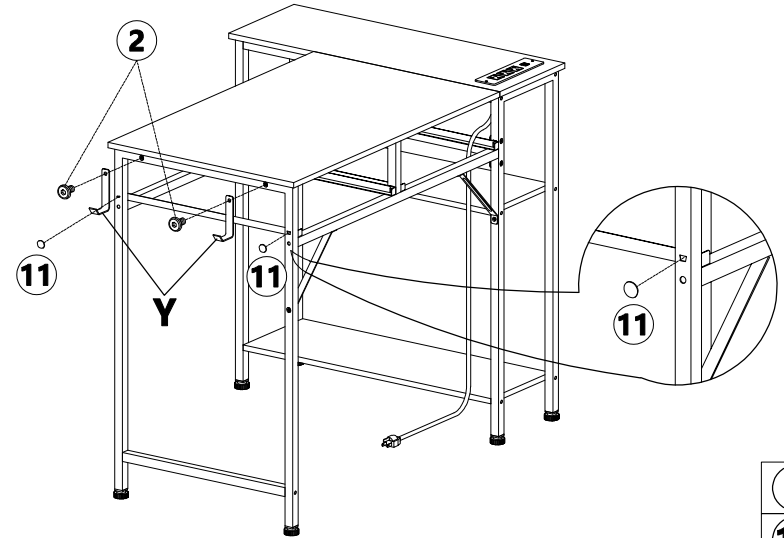


**2** x 2

**14**



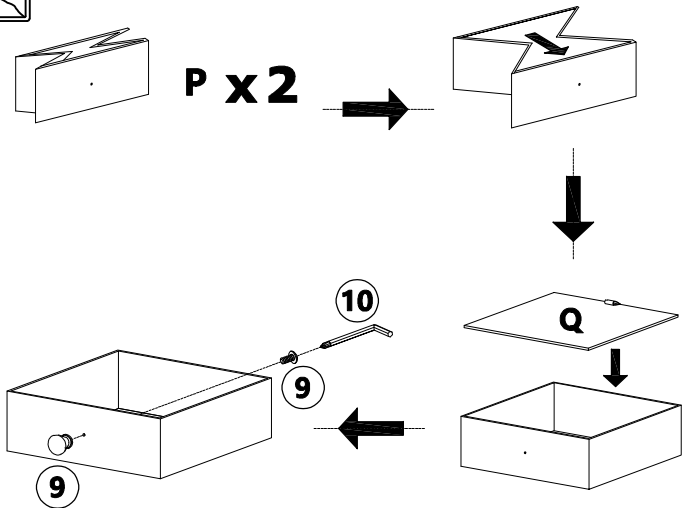
## Option 2-B



**2** x 2

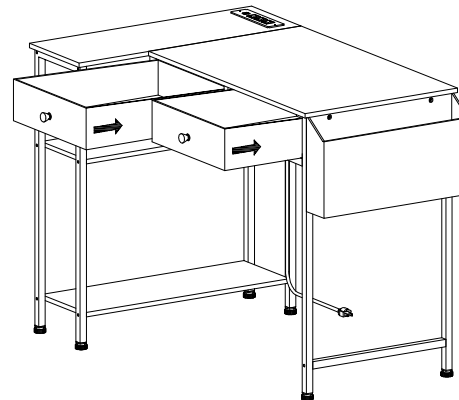
**11** x 2

**15**

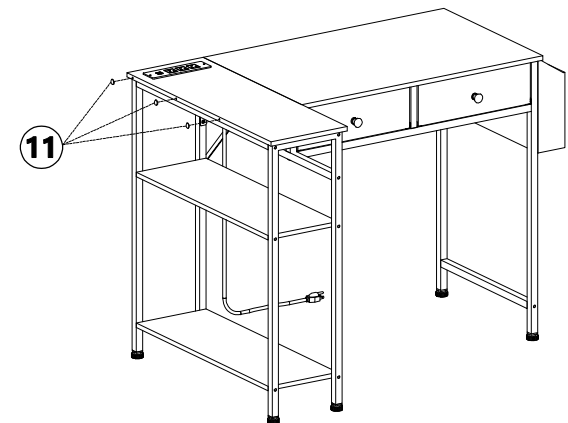
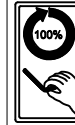


**9** x 2

**16**



**17**



**11** x 3