



Outdoor  
Living Today

# ASSEMBLY MANUAL

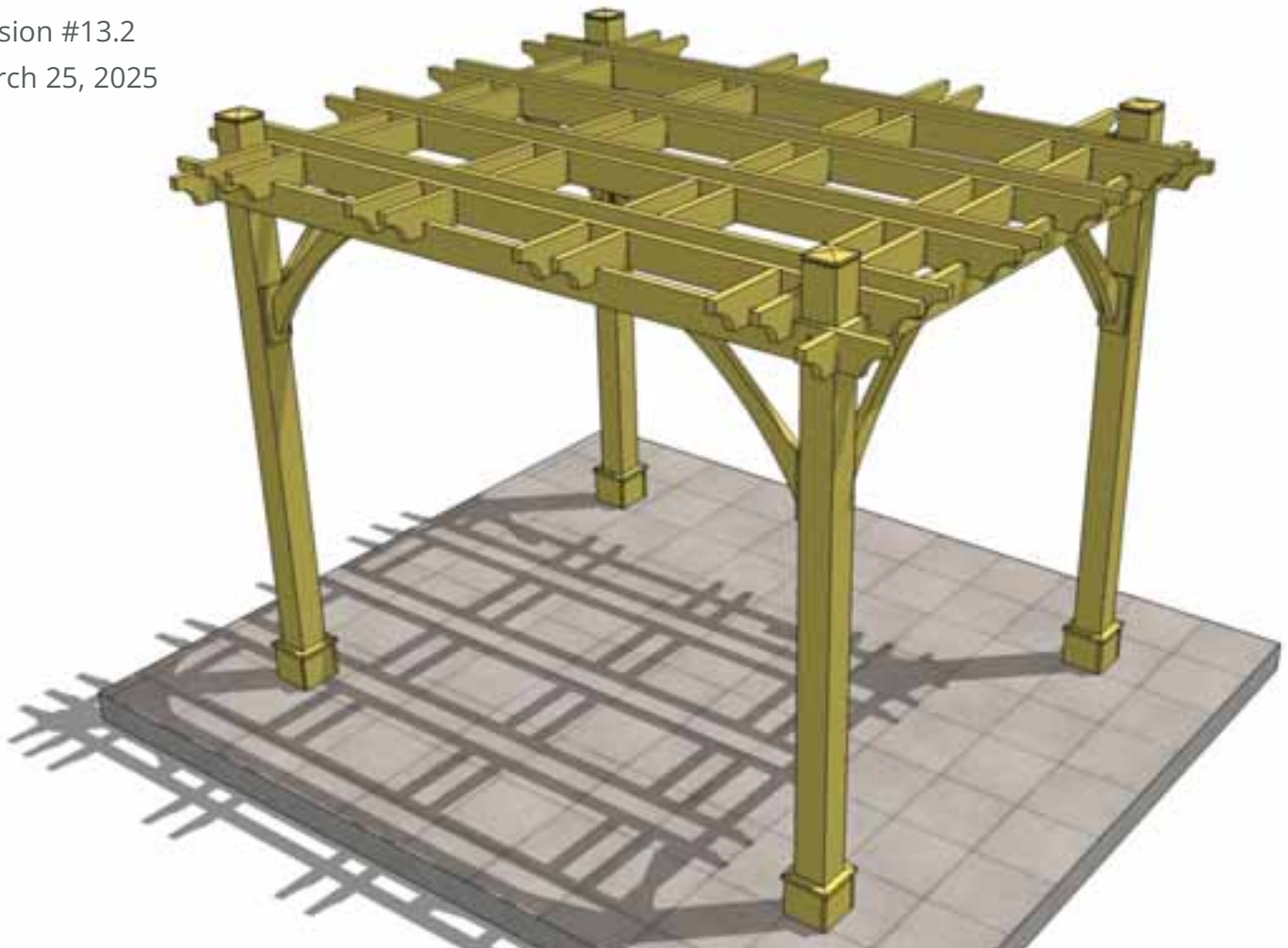
## 8x10 Breeze Pergola

Stock Code:

BZ810

Version #13.2

March 25, 2025



### CONTACT

#### ADDRESS

9393 287th Street,  
Maple Ridge, British Columbia,  
Canada V2W 1L1

#### PHONE & FAX

Toll Free: 1-888-658-1658

Fax:

#### ONLINE

Email: [olmsupport@outdoorlivingtoday.com](mailto:olmsupport@outdoorlivingtoday.com)

Web: [www.outdoorlivingtoday.com](http://www.outdoorlivingtoday.com)

# What You Need to Know

Thank you for purchasing a 8x10 Breeze Pergola.

*Please take the time to identify all the parts prior to assembly.*

## IMPORTANT INFORMATION

It is the sole responsibility of the customer to check with your local municipal or county by-laws before ordering this product to confirm it complies with building codes in your area.

If the product is elevated, any structural and building code requirements are solely the customer's responsibility, and should be abided by.

All structures purchased from Outdoor Living Today are covered for a period of one year for defects in manufacturing and workmanship. Costs incurred for customer installations are not included.

*Failure to use supplied parts included in this kit could result in poor product performance and may void your warranty. Please contact Outdoor Living Today's Customer Toll Free Line if you plan to deviate from our written instructions.*

**Note:** Post Mounting Hardware is **NOT** included in this kit. Please confirm with your local building permit office to determine the correct hardware in your area.

If you plan to paint or stain your Pergola before assembly, be sure to scribe or mark the top edge of Joist where Stub Joists and Ladder Blockings are pre-marked. Painting or staining may cover up markings making it more difficult to align components later.

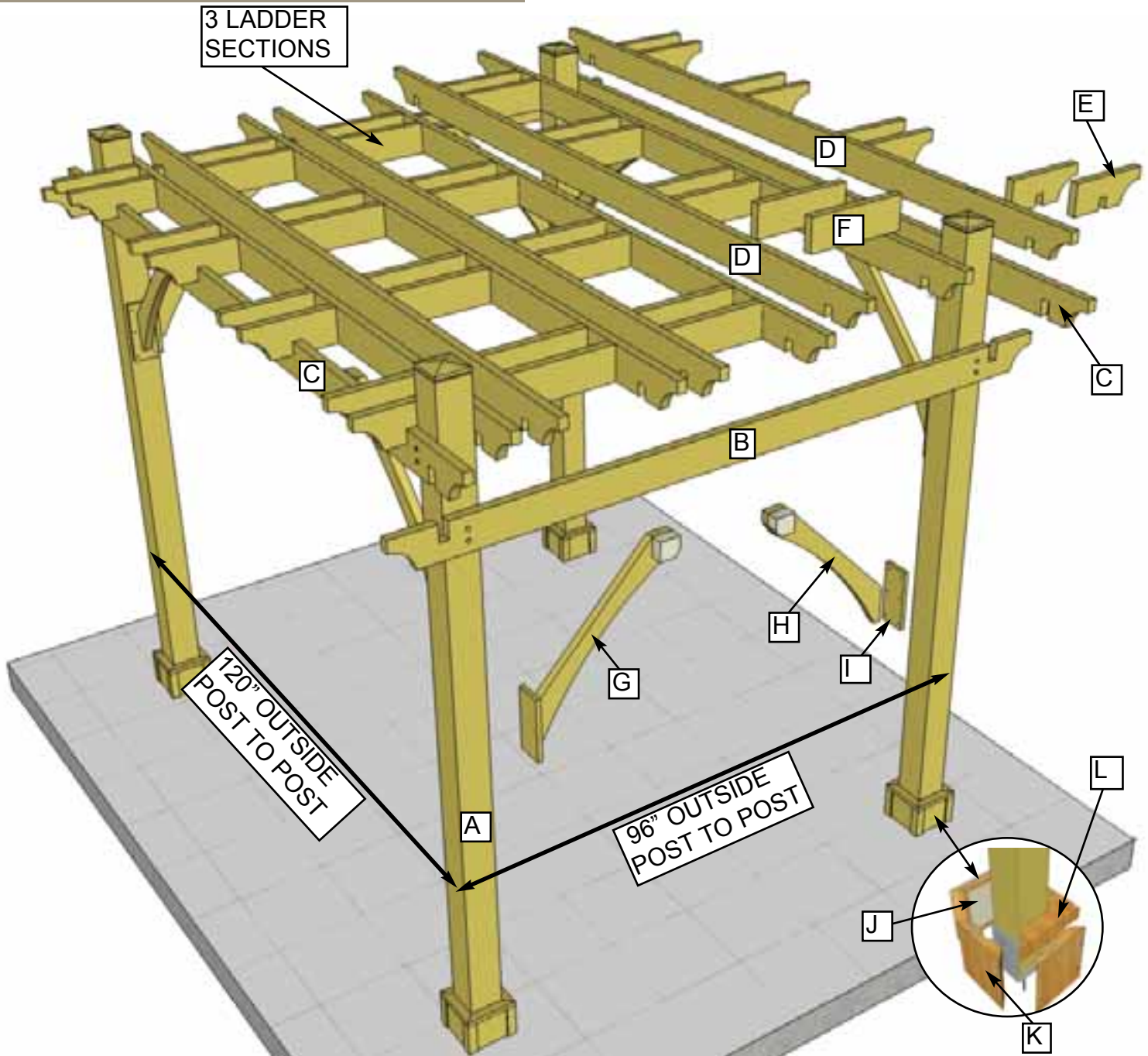
## Warranty

In the event of a missing or broken piece, please contact Outdoor Living Today Customer Support at [olmsupport@outdoorlivingtoday.com](mailto:olmsupport@outdoorlivingtoday.com) within 30 days of the delivery of your purchase. It is our commitment to you to courier replacement parts, free of charge, within 10 business days of this notification. Replacement parts will not be provided free of charge after the 30 day grace period.

Customer agrees to hold Outdoor Living Today and any Authorized Dealers free of any liability for improper installation, maintenance and repair.

# 8X10 BREEZE PERGOLA

Thank you for purchasing one of our Breeze Pergola's.  
Please take the time to identify all the parts prior to assembly.



**Parts Lists:**

	Finished Size			Qty.
	T	W	L	
A - Posts	5 1/2"	5 1/2"	108"	4
B - Girder (deep notch on top)	1 1/2"	5 1/2"	114"	2
C - Girder (deep notch on bottom)	1 1/2"	5 1/2"	138"	2
D - Joist (shallow notch on bottom)	1 1/2"	5 1/2"	138"	8
E - Stub Joist	1 1/2"	5 1/2"	14 1/2"	16
F - Ladder Blocking	1 1/2"	5 1/2"	17"	24
G - Left Corner Brackets	1 1/2"	5 1/2"	34 3/4"	4
H - Right Corner Brackets	1 1/2"	5 1/2"	34 3/4"	4
I - Corner Bracket Post Mount	1"	4 1/2"	10 1/2"	8
<b>Post Skirting Kits - 4 Kits / Each includes:</b>				
J - Post Skirtings with Cleat	1 1/2"	9"	7 1/4"	2
K - Post Skirtings- Dado Cut	1 1/2"	9"	7 1/4"	2
L - Post Skirting Caps	1 1/2"	2 1/2"	10 1/2"	4

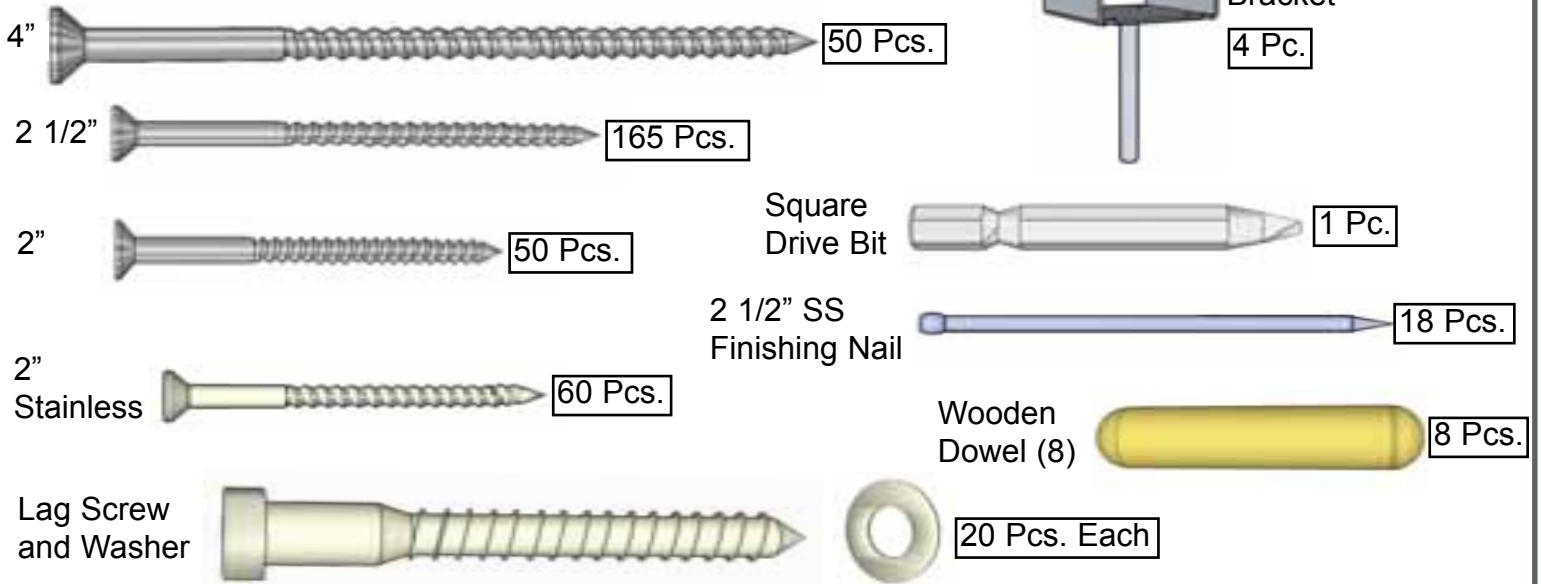
**Specifications:**

Wood Species - Western Red Cedar  
Grade - Architectural Knotty or Better  
Posts - Laminated Western Red Cedar  
Lag Screws and Washers - Zinc Plated  
4" & 2 1/2" & 2" - Brown Screws  
2" Screws - Stainless Steel  
2 1/2" Finishing Nails - Stainless Steel

**Overall Outside Dimensions:**  
114" x 138" x 108" high  
Height (Ground to Bottom of Girder) 94"

# 8x10 BREEZE PERGOLA HARDWARE PACKAGE

## Hardware Kit (Provided)



## Tools Required (Not Provided)



## Safety Equipment Required (Not Provided)



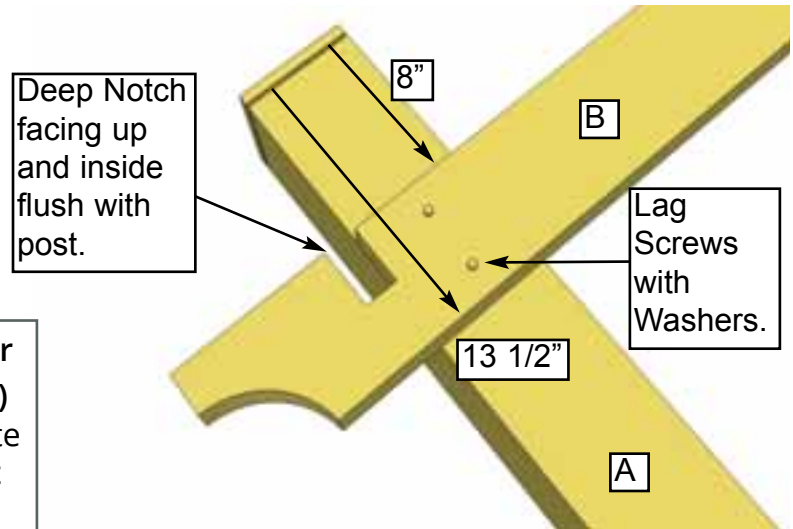
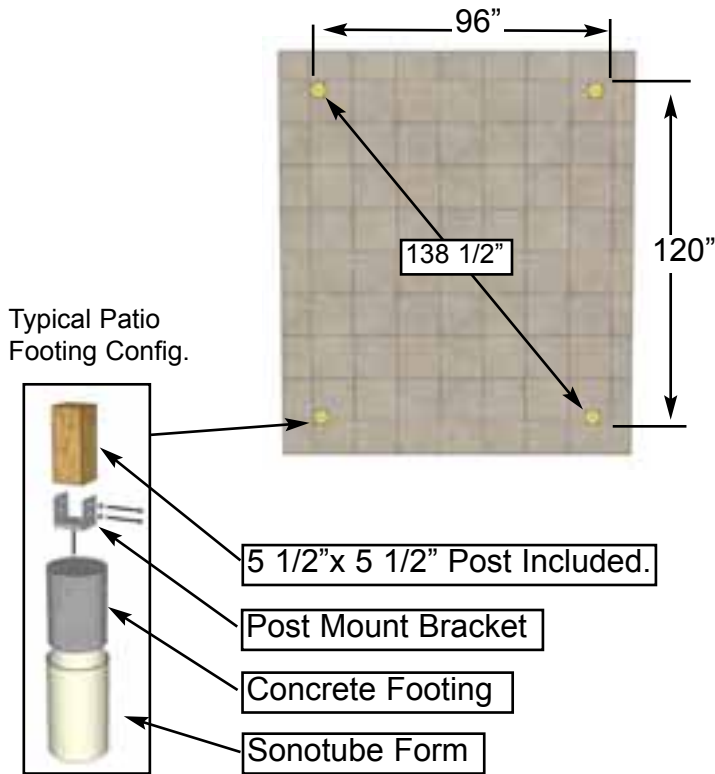
**Important - Western Red Cedar Lumber and Timbers will have surface splitting that occurs as lumber seasons and dries to the moisture content in your area. Splitting or "checking", as it is referred to, can be 1/8" to 1/4" wide and can run several feet. This does not diminish the structural integrity of the material in any way.**

## Laying out your Footprint

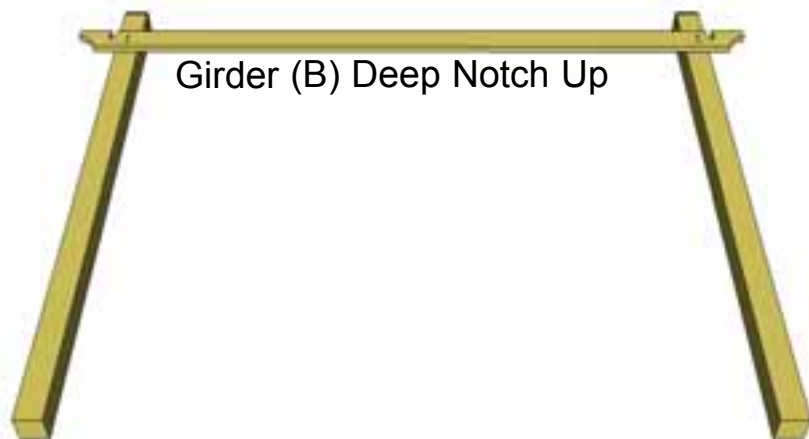
To determine the proper placement of your 5 1/2" x 5 1/2" Posts, see the exploded view on Page 2 to find the measurements and to determine their correct positions. Outside Post to Post measurements for the 8'x10' Breeze are: 96" x 120".

Inside Diagonal Post to Post measurement is 138 1/2". Take diagonal measurements to check your layout for square.

We recommend that you fix Posts to ground using Steel Post Bases or Saddle Brackets fixed on concrete footing. If attaching Posts to pre-existing deck, we recommend that you purchase Post / Deck Mounting Brackets. In both cases, Post Mounting hardware can be found at most Hardware Stores.



**1.** On flat level ground, Lag screw the Girder with Deep Notch on top (B) to two Posts (A) approximately 8" from top of Post. Complete 2 sets of Girder/Post Assembly's. **Note; Pilot hole Post first with 1/4" drill bit.**



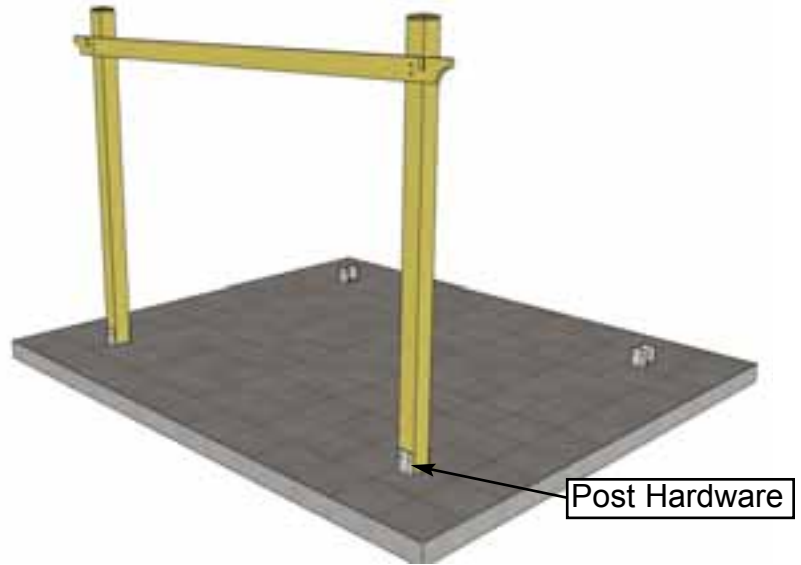
Girder facing out.



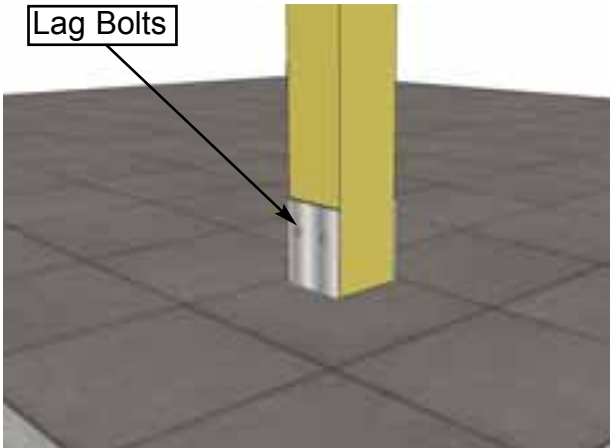
**Important-** You will require the assistance of 2 helpers to support the posts up to **Step 7**.

**2.** Lift up a completed Post/Girder Assembly slowly and carefully. Make sure Girder is facing outward.

**3.** If Post Mount Hardware is installed, position bottom of Posts in Hardware.



Lag Bolts

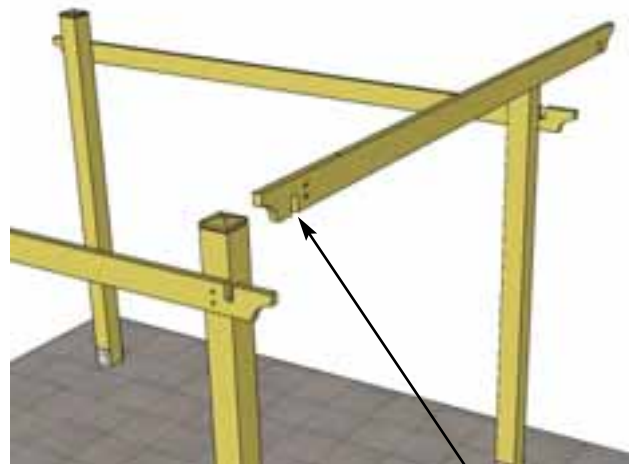


Post Hardware

**4.** Secure Post to Post Hardware with appropriate hardware such as lag bolts or a sufficient number of screws. (Hardware Not Supplied)



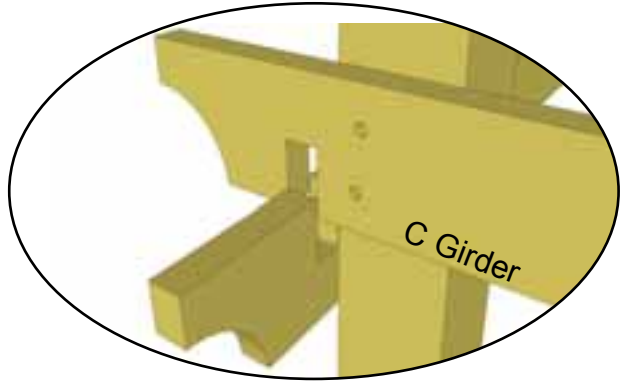
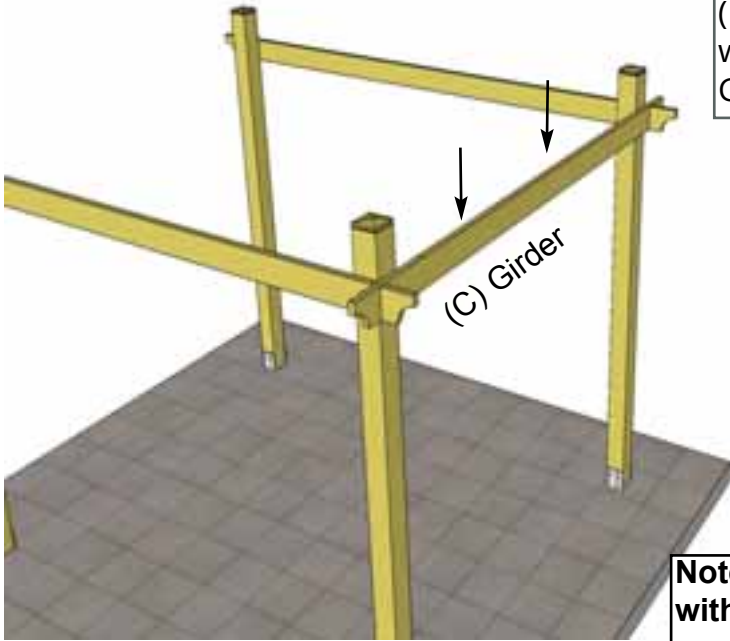
Lift, position and attach the second Post/Girder Assembly to Post Hardware.



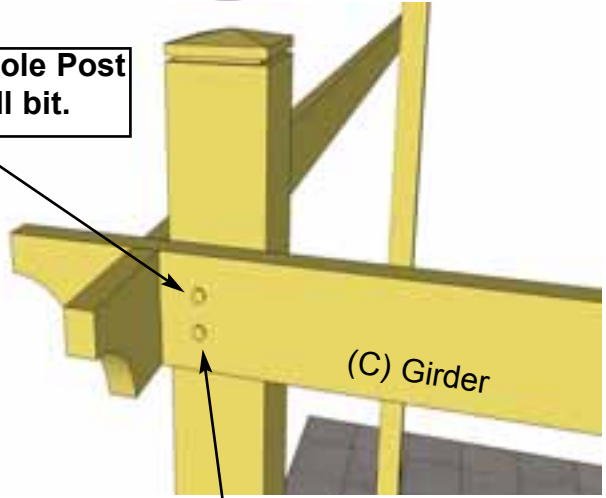
**5.** Locate Girder with Deep Notch on Bottom (C) and lift up between both completed Post/Girder Assembly's.

Deep Notch facing down.

**6.** Carefully lower (C) Girder down into notch of (B) Girders. Be careful not to twist the Girder when dropping down into place. Lag Screw Girder to Post. Pilot hole first.

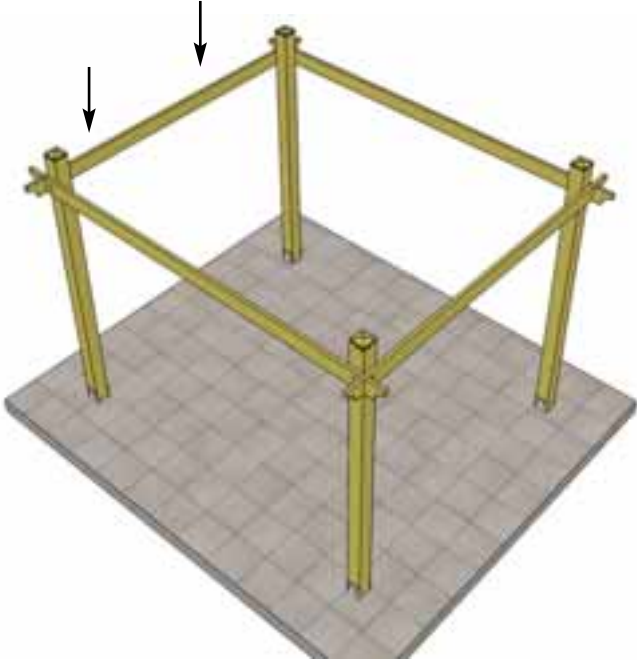


**Note; Pilot hole Post with 1/4" drill bit.**

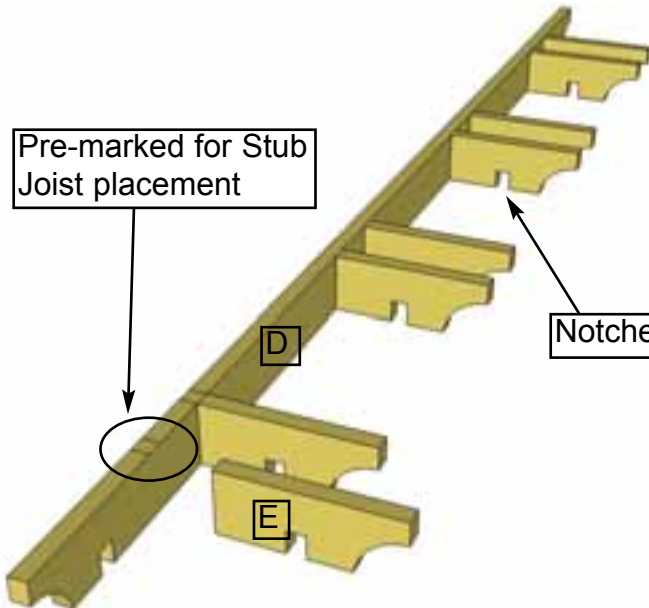


**2 Lag Screws to Post**

**7.** Lift, position and Lag Bolt the second (C) Girder to Posts.



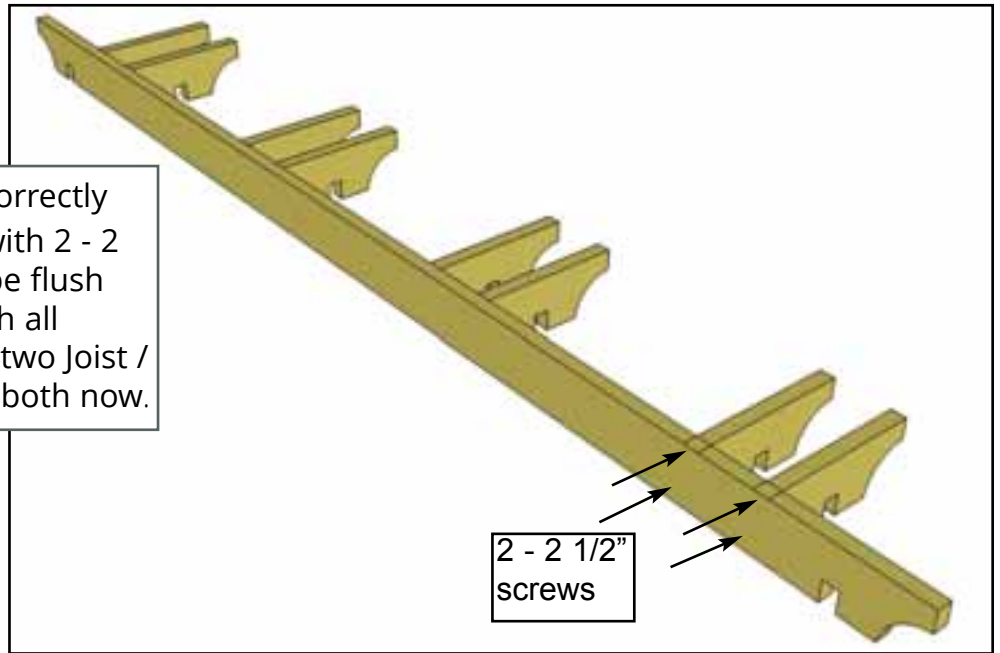
**Pre-marked for Stub Joist placement**



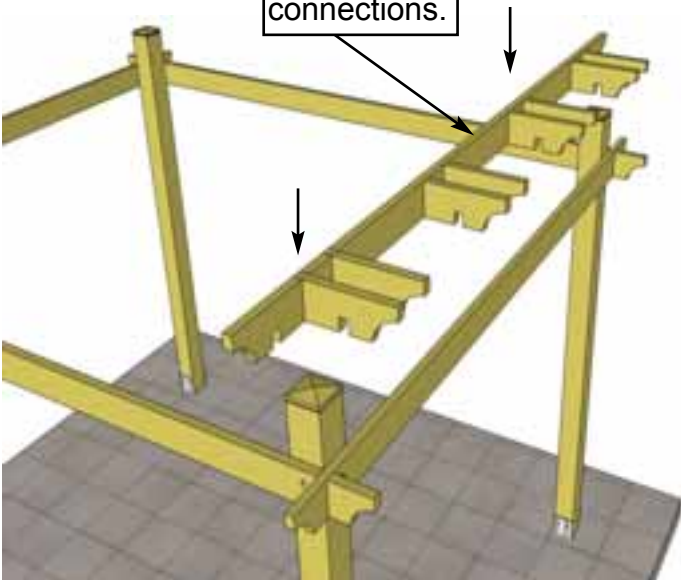
**Notches facing down**

**8.** On level ground, position 1 Joist (D) and 8 Stub Joists (E). Joists are pre-marked on top edge for Stub Joist and Blocking positioning.

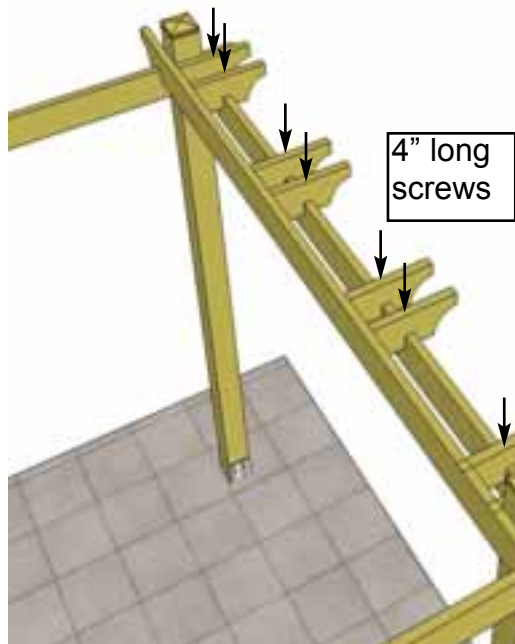
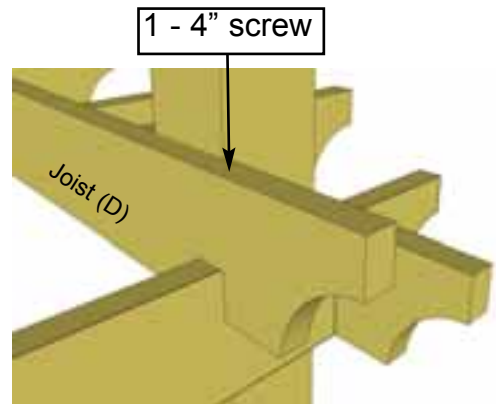
**9.** With Stub Joists positioned correctly on Joist, attach each Stub Joist with 2 - 2 1/2" screws. Stub Joists should be flush with top and bottom of Joist with all notches facing down. There are two Joist / Stub Joist Assembly's, complete both now.



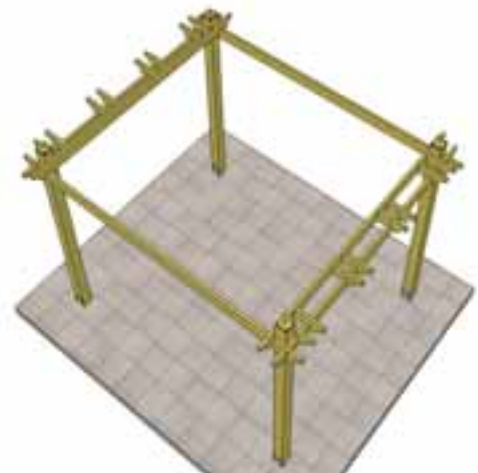
Completed Joist / Stub Joist connections.



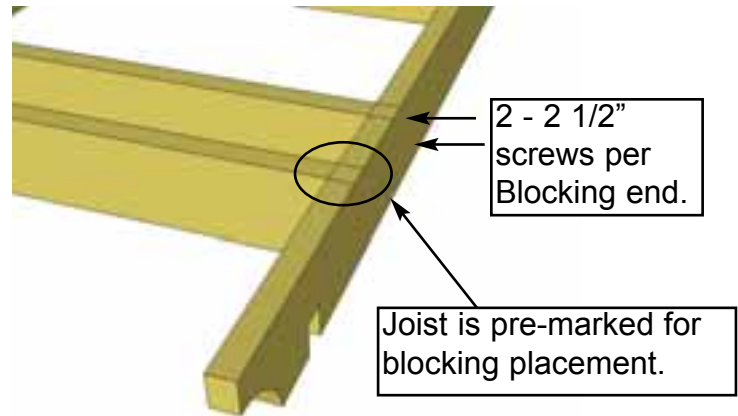
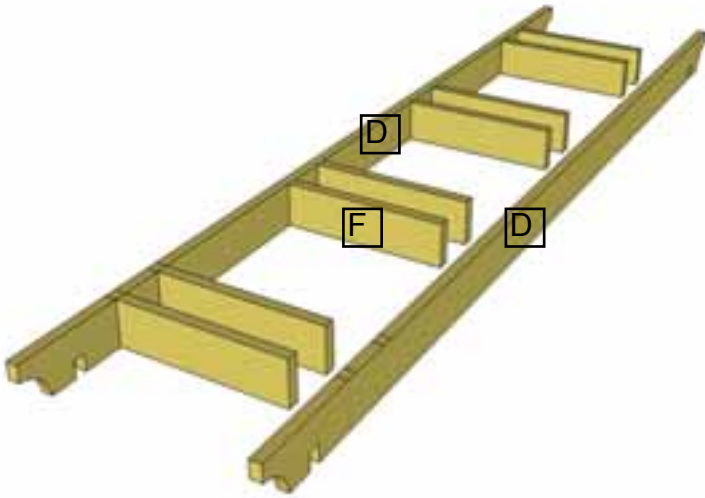
**10.** Carefully lift up completed Joist / Stub Joist Assembly and place Joist between Girders flush against posts and notch sitting down into Girder.



**11.** Attach all Stub Joists and Joist to Girder with 1 - 4" screw per piece. Complete both Assembly's  
**Note:** Drill pilot holes in Joists and Stub Joists to make it easier to screw in 4" screws.



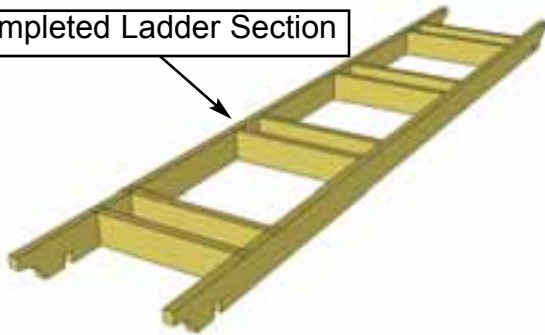
**12.** On a flat surface, position **Ladder Blocking (F)** where marked on top edge of Joist (D) and screw with 2 - 2 1/2" screws per end. Ladder Blocking should be flush with top and bottom of Joist with all notches facing down.



2 - 2 1/2" screws per Blocking end.

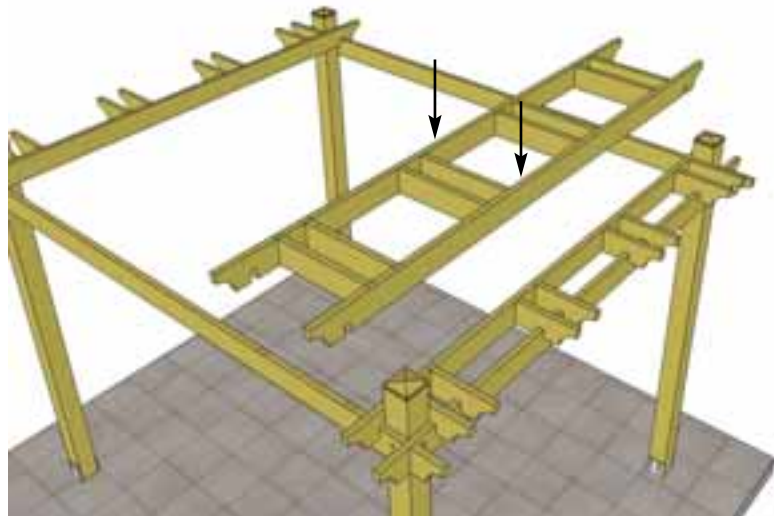
Joist is pre-marked for blocking placement.

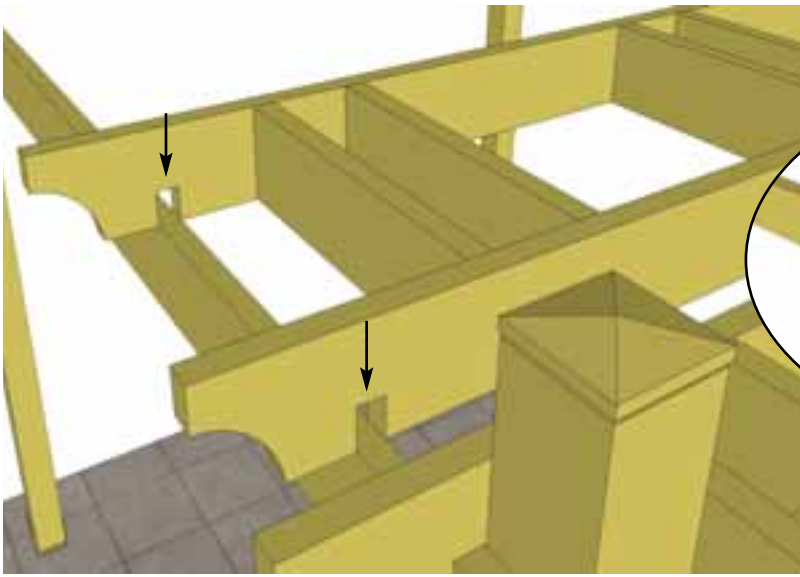
Completed Ladder Section



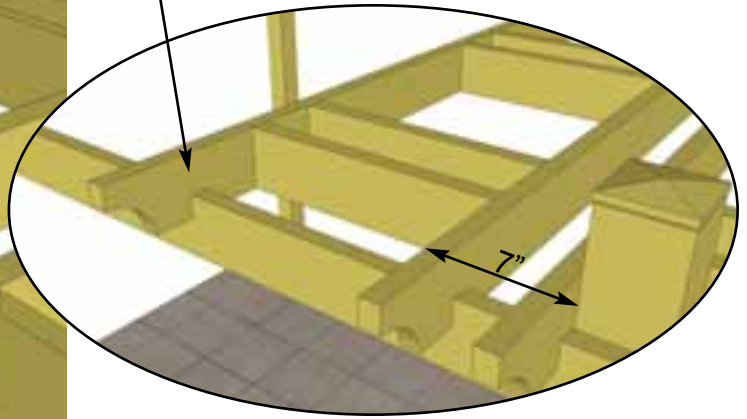
**13.** Complete all three Ladder Sections on the ground prior to moving to **Step 14.**

**14.** Carefully lift up one of the Ladder Sections between Girders. You will require a helper to assist in lifting Ladder Sections.

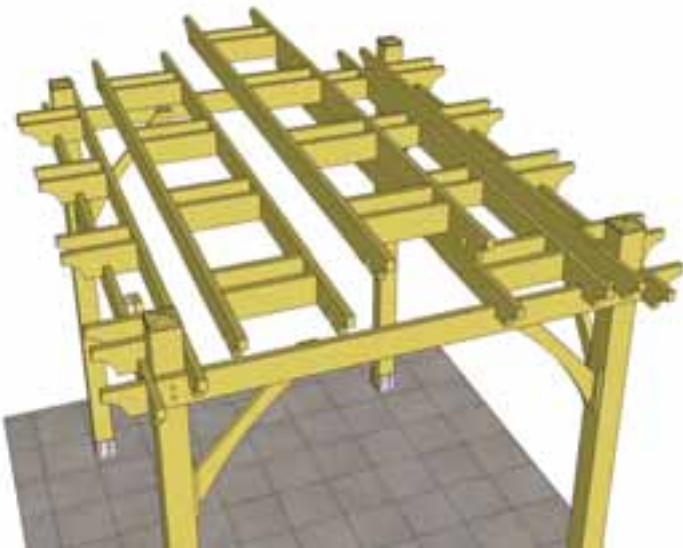
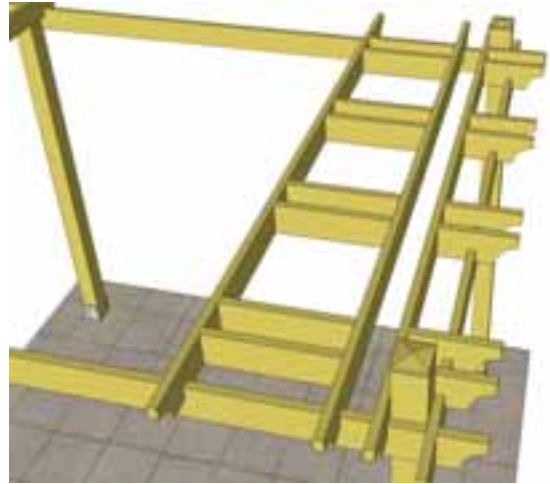




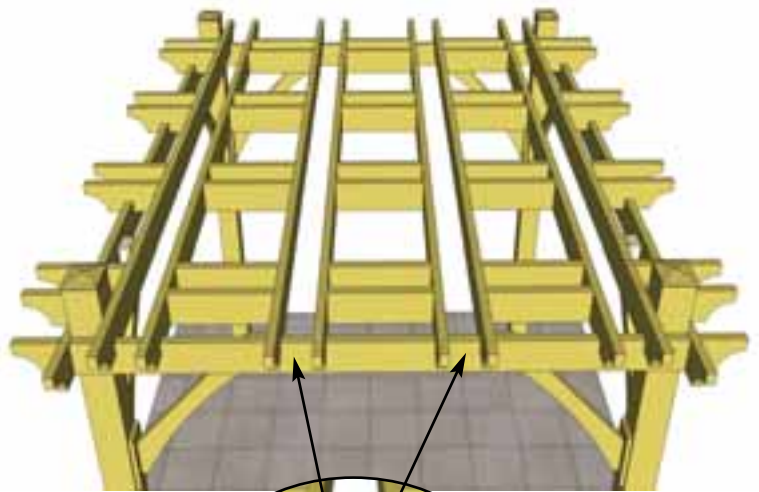
Notched slides onto Girder



**15.** Carefully slide Joist notches of Ladder Section onto Girder. Try to align notches so they fall into place all at once. With notches of Ladder Section all sitting correctly on Girder, slide Section approximately 7" from Post. Check alignment of opposite end of Ladder Section.

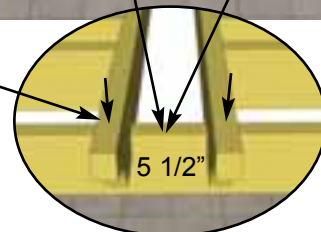


**16.** Set all remaining Ladder Sections in place on Girder spacing each approximately 5 1/2" apart.

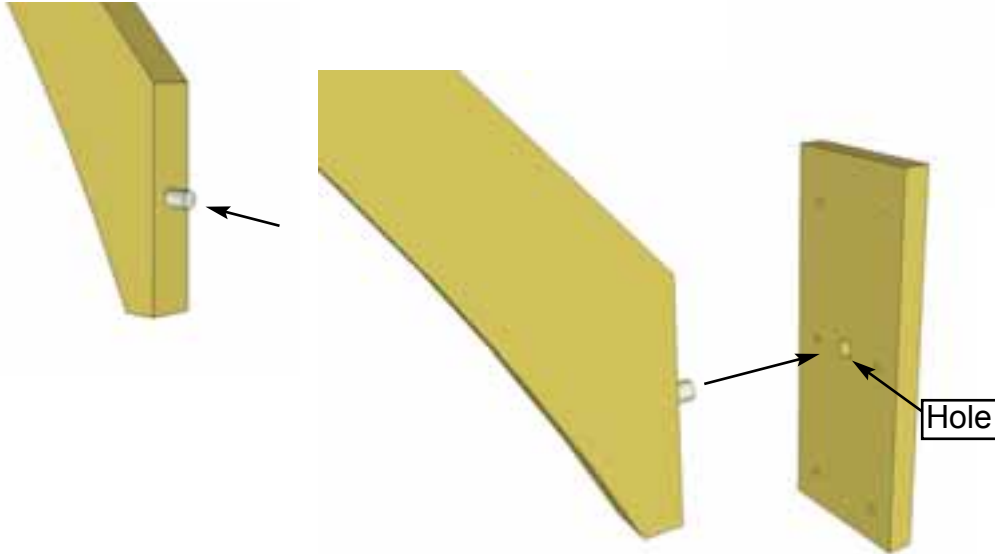
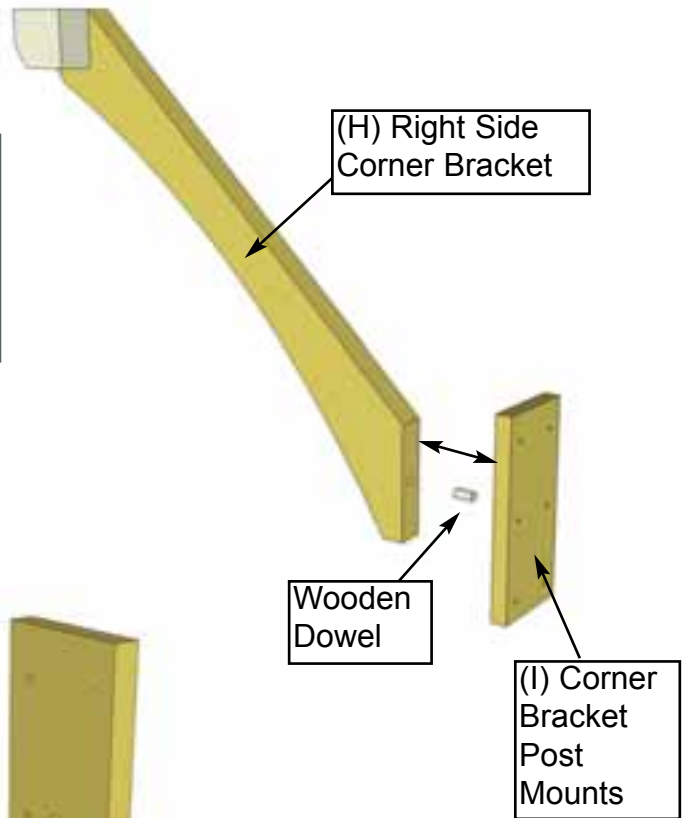


**17.** With all Ladder Sections in place, check once more for equal spacing. When satisfied with Ladder Section positioning, attach to Girders with 4 - 4" screws per Ladder. Screw from top edge of Joist down into Girder. Pilot hole screws first to help with screwing.

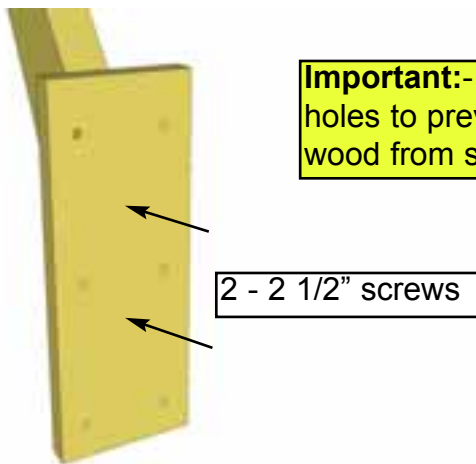
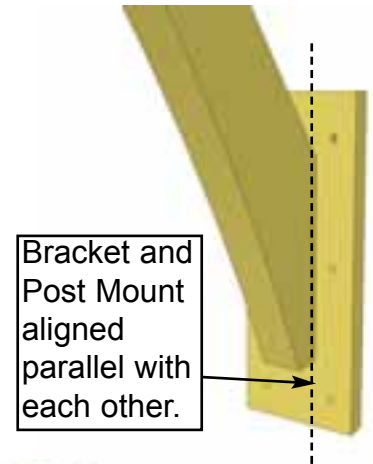
Pilot Hole Joist first and secure with 4" screws/ Ladder Section



**18.** There are 4 Left (G) and 4 Right Sided Corner Brackets (H). Corner Bracket Post Mounts (I) must be attached to the bottom end of each Corner Bracket before attaching to Posts.

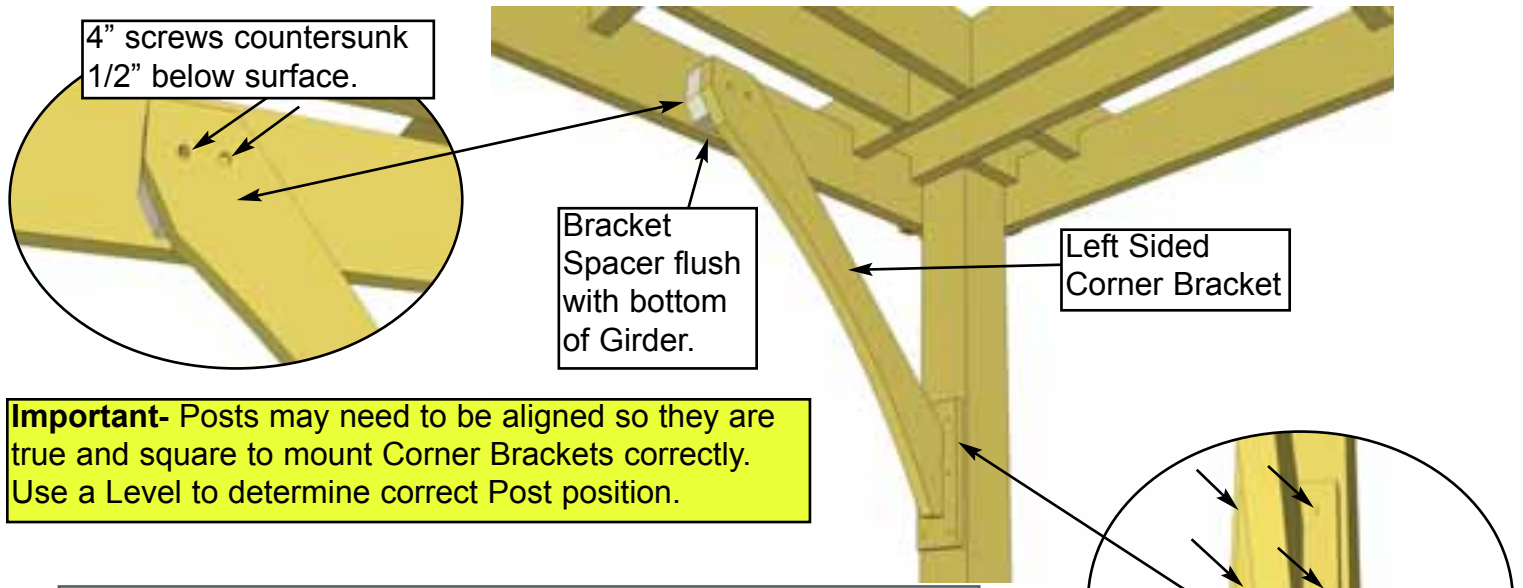


**19.** To assist you with Bracket and Post Mount alignment, both the end of the Bracket and Post Mount have been drilled for a **Wooden Dowel**. Wooden Dowels are found in the Hardware Kit Bag. Insert a Wooden Dowel in end of Corner Bracket first and then push Post Mount onto Dowel until Bracket and Post Mount are flush together. Align Post Mount parallel with Bracket.



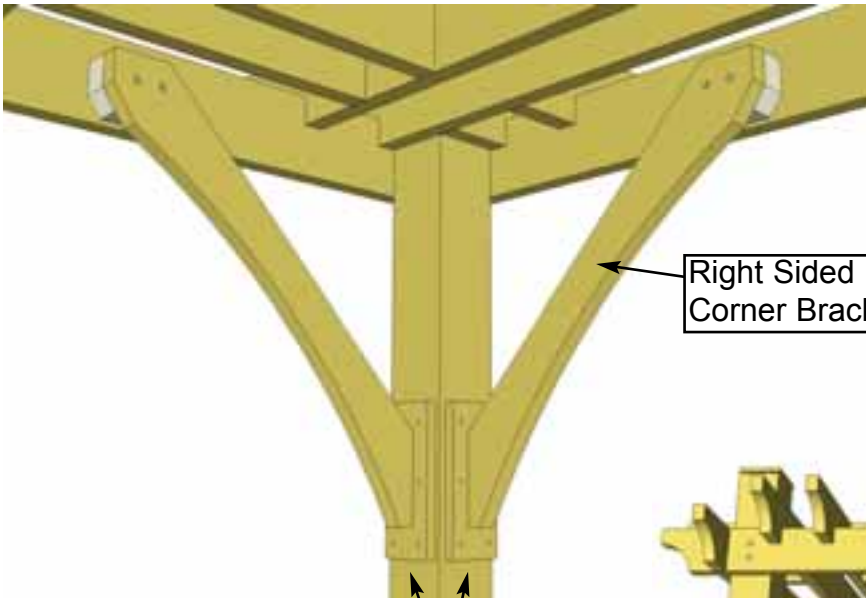
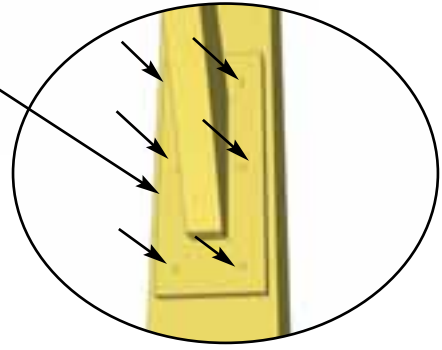
**Important:-** Drill pilot holes to prevent wood from splitting.

**20.** With Bracket and Post Mount correctly aligned, screw Post Mount to Bracket with 2 - 2 1/2" screws. **Important- Drill pilot holes in Post Mounts and Bracket to prevent wood from splitting!** Complete all remaining Brackets/Post Mount connections.



**Important-** Posts may need to be aligned so they are true and square to mount Corner Brackets correctly. Use a Level to determine correct Post position.

**21.** Lift completed Left Sided Corner Bracket up and align bottom of Bracket Spacer flush with bottom of Girder. At bottom of Corner Bracket, align Post Mount evenly and tight against Post. When correctly aligned, secure at top with 2 - 4" Screws. To secure Post Mount, use 6 - 2" Stainless Steel Screws. Note, Post Mount and Top of Bracket are pre-drilled.

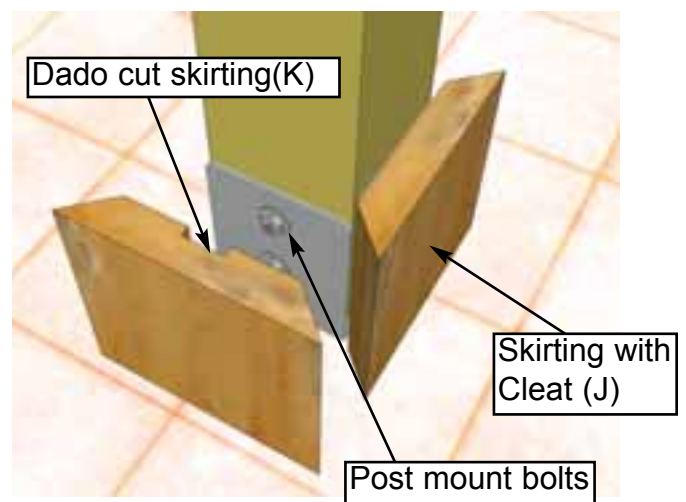
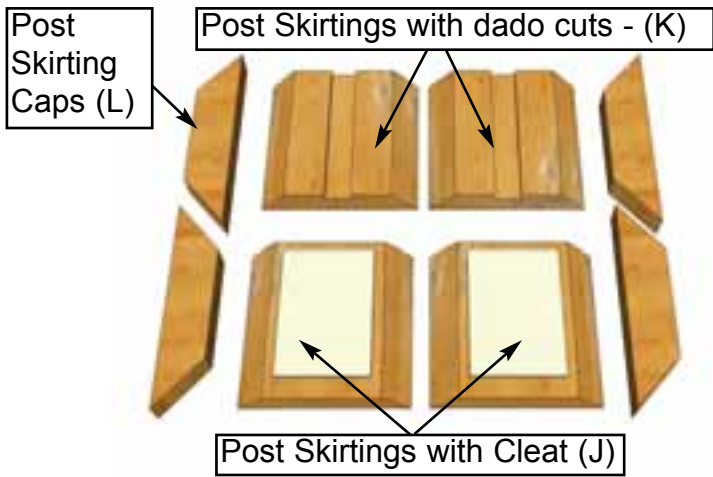


**22.** Align and attach a Right Sided Corner Bracket on Post as per Step 21. Make sure both Brackets are aligned on Post at the same height before attaching.

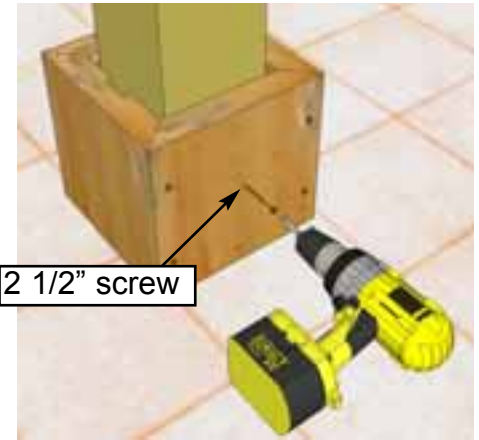
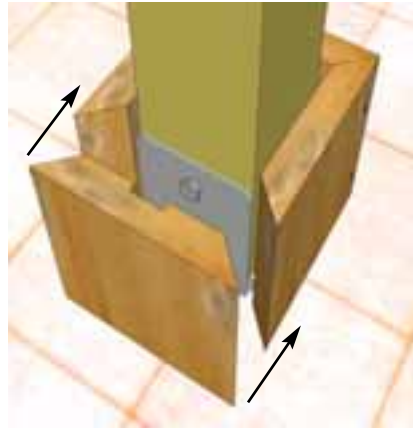
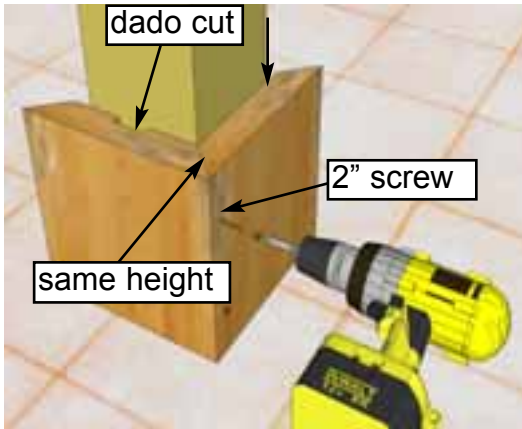
Align Corner Bracket on Post at same height.



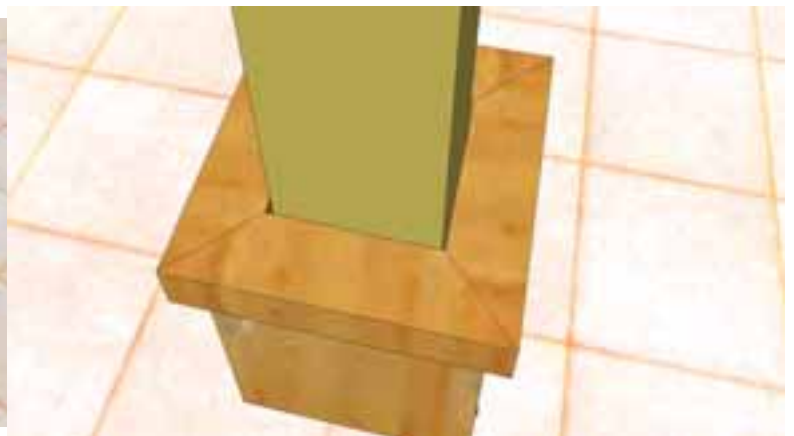
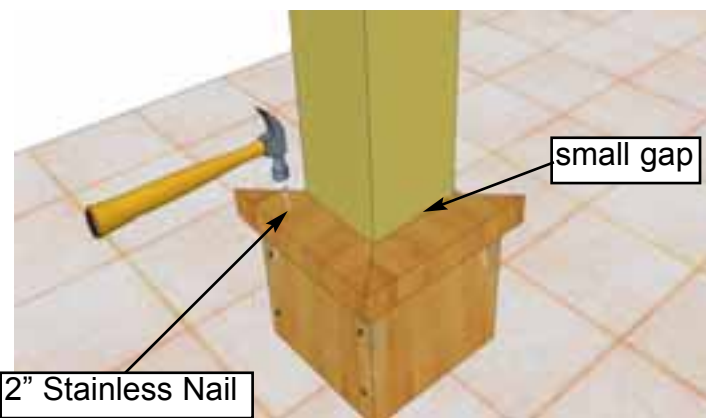
**23.** Complete remaining Left and Right Sided Corner Bracket attachments.



**24.** Locate all Post Skirting pieces. Position 2 post skirtings around the base of post as shown above. Use 1 Post Skirting with Cleat - 1 1/2" x 9" x 7 1/4" (Part J) and a Post Skirting with Dado Cut - 1 1/2" x 9" x 7 1/4" (Part K) initially. Cleat piece should be aligned opposite post mount hardware and dado piece aligned with post mount bolts (hardware).



**25.** With your helpers assistance, screw Part J & K pieces together with 2 - 2" screws at pre-drilled locations. Make sure pieces are aligned on edges and top and bottom. Cleated skirting piece are pre-drilled. Complete remaining skirting pieces around the post. Position skirting unit evenly around



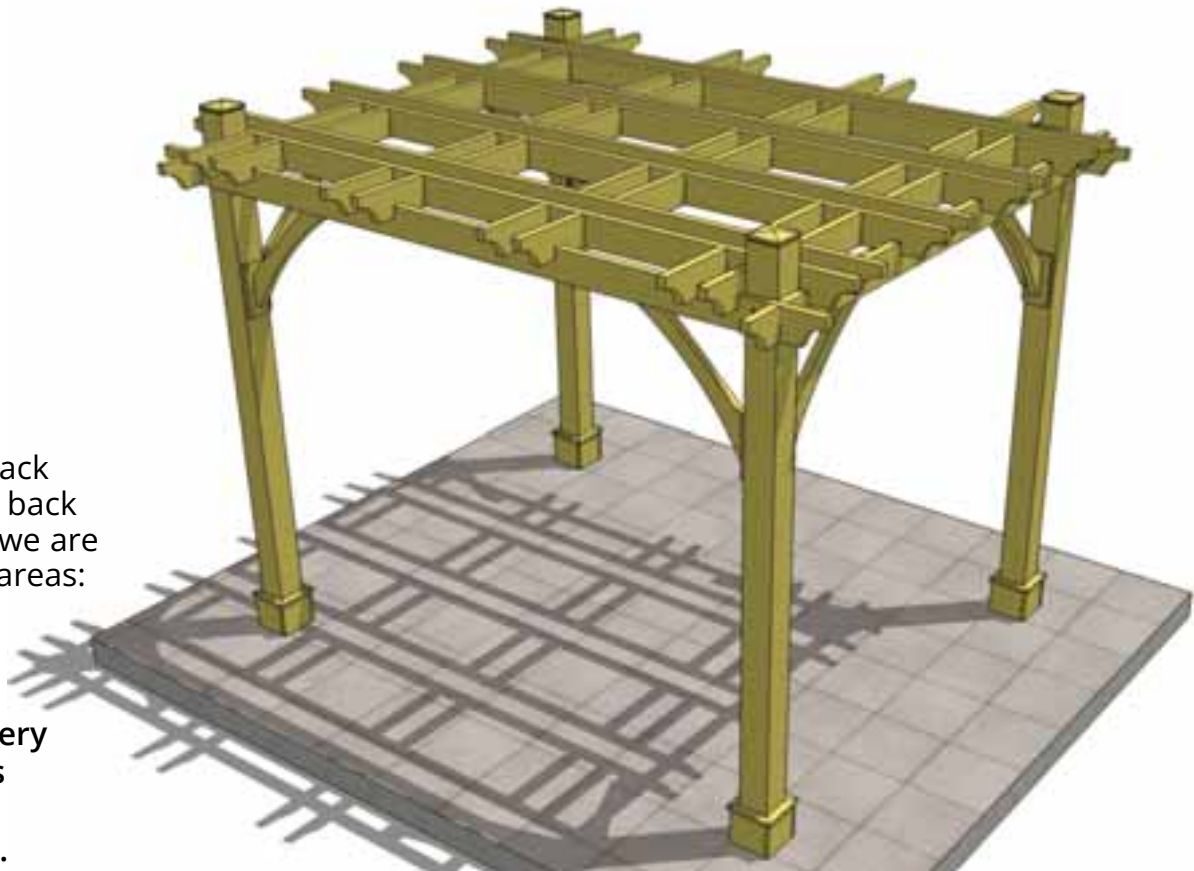
**26.** Position Post Skirting Caps - 1 1/2" x 2 1/2" x 10 5/8" (Part L) on top of skirting unit and against post. Do a dry run first to confirm fit. There will be a small gap between post and inside of cap. Attach caps down into skirting tops with 3 - 2" Stainless Steel Finishing Nails per piece. Complete remaining post skirtings.



# Outdoor Living Today

## Congratulations on building your 8x10 Breeze Pergola

**Note:** Our Pergolas are shipped as an unfinished product. If exposed to the elements, the western red cedar lumber will weather to a silvery-gray color. If you prefer to keep the cedar lumber looking closer to the original color, we suggest that you treat the wood with a good oil base wood stain. You may also wish to paint your new Pergola rather than stain it. In both cases we recommend that you consult with a paint and stain dealer in your area.



We value your feedback and would like to hear back from you on how well we are doing in the following areas:

1. Customer Service
2. On Time Shipping
3. Motor Freight Delivery
4. Quality of Materials
5. Assembly Manual
6. Overall Satisfaction.



The materials contained in this Assembly Manual may be downloaded or copied provided that ALL copies retain the copyright and any other proprietary notices contained on the materials. No material may be modified, edited or taken out of context such that its use creates a false or misleading statement or impression as to the positions, statements or actions.

Please call, write or email us at:

Outdoor Living Today

Canadian Address  
9393 287th Street  
Maple Ridge, British Columbia  
Canada V2W 1L1

United States Address  
P.O. Box 96  
Sumas, Washington  
USA 98295

Toll Line: 1.888.658.1658

Fax: 1.604.462.5333

sales@outdoorlivingtoday.com

Toll Free 1-888-658-1658

www.outdoorlivingtoday.com

sales@outdoorlivingtoday.com