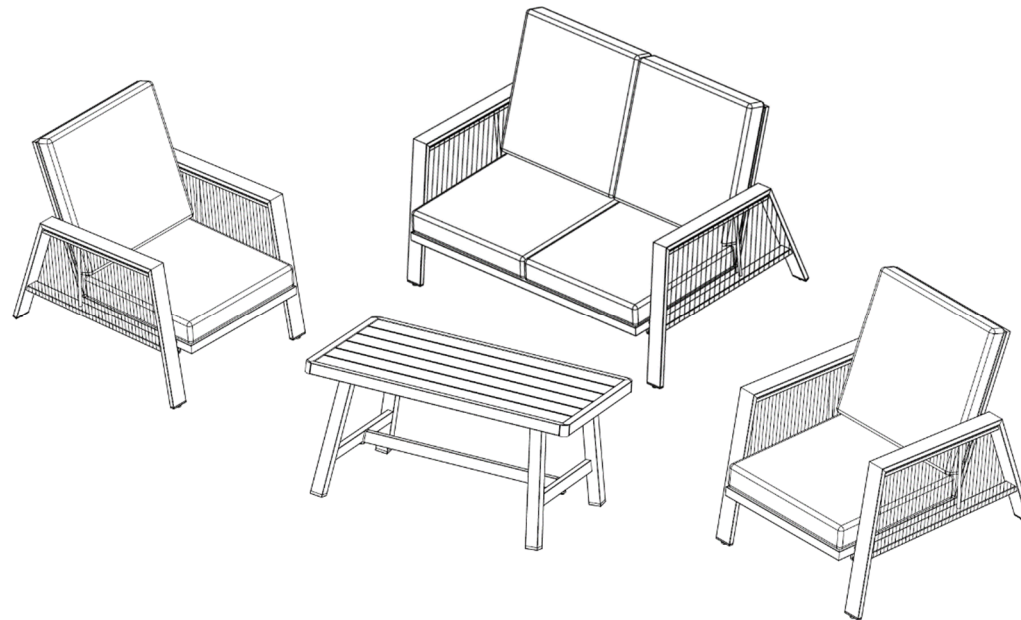


IMPORTANT: READ CAREFULLY AND RETAIN FOR FUTURE REFERENCE

Item number: GF07863, Rope Sofa Collection

Please unpack all parts on a flat non-abrasive surface and check contents against the parts list.

Assembly by two people is advised.



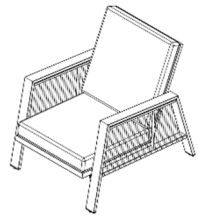
Do NOT fully tighten bolts before all components are connected. Only fully tighten once you are satisfied with the alignment of all components. Do not overtighten bolts.

For Domestic use only.

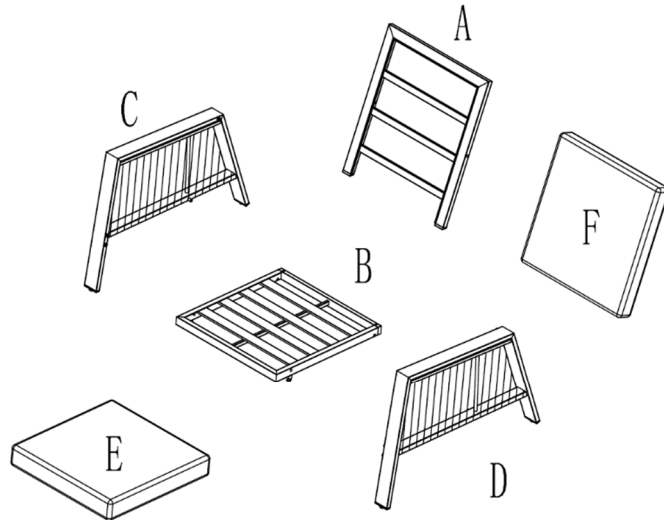
Imported by Trans-Continental Group Ltd., Transcon House, Amy Johnson Way, Blackpool, Lancashire, FY4 2RP, United Kingdom.

Please refer to the Suntime care leaflet enclosed for information regarding the maintenance and use of your product.

Assembly instructions of Single Chair



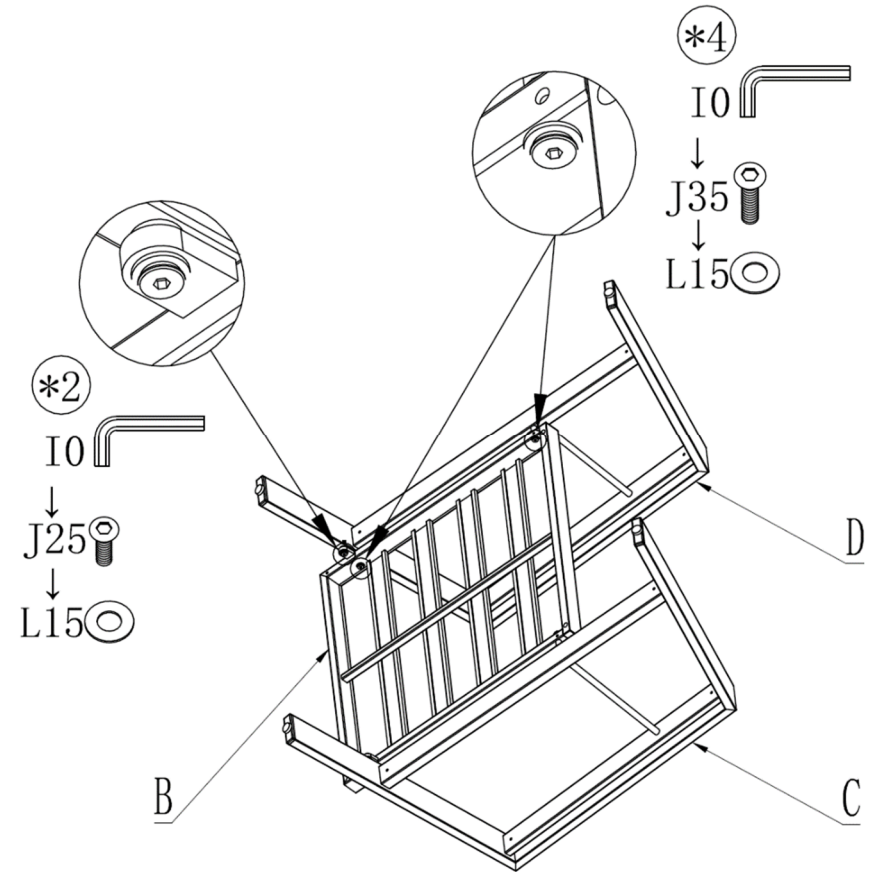
| Part Number | A | B | C | D | E | F |
|------------------|---|---|---|---|---|---|
| Images and Sizes | | | | | | |
| Qty. | 1 | 1 | 1 | 1 | 1 | 1 |



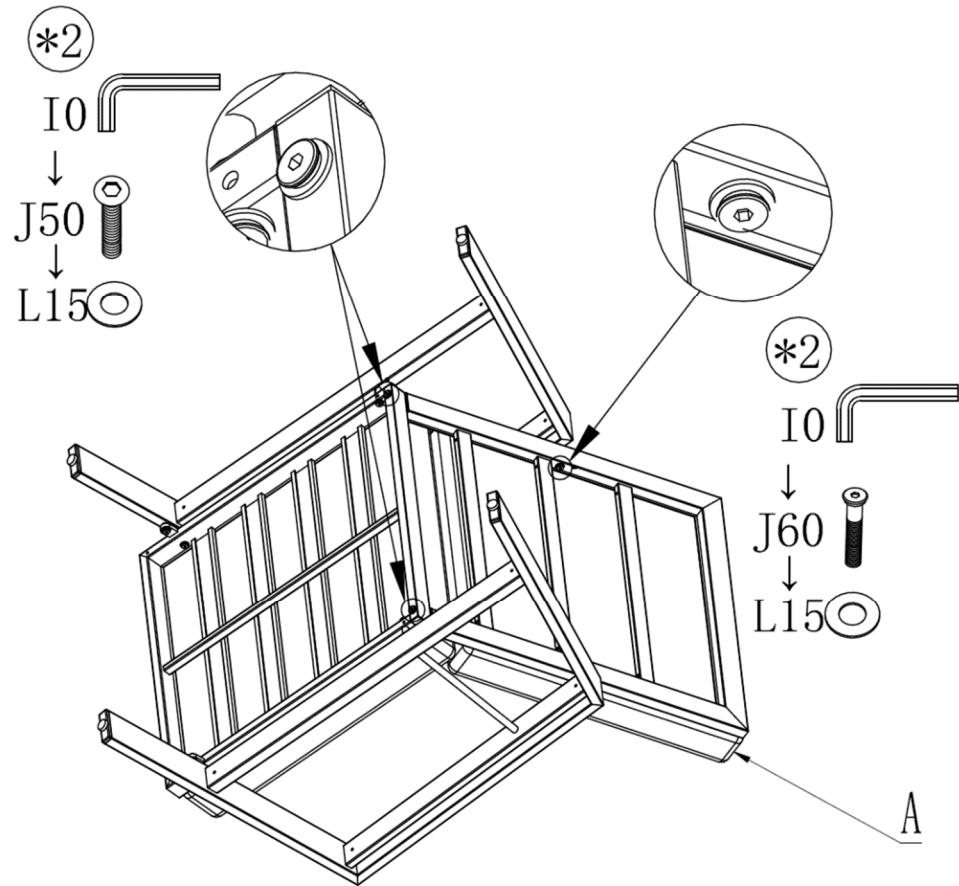
Hardware

| Part Number | I0 | J25 | J35 | J50 | J60 | L15 |
|------------------|----|-----|-----|-----|-----|-----|
| Images and Sizes | | | | | | |
| Qty. | | 2 | 4 | 2 | 2 | 10 |

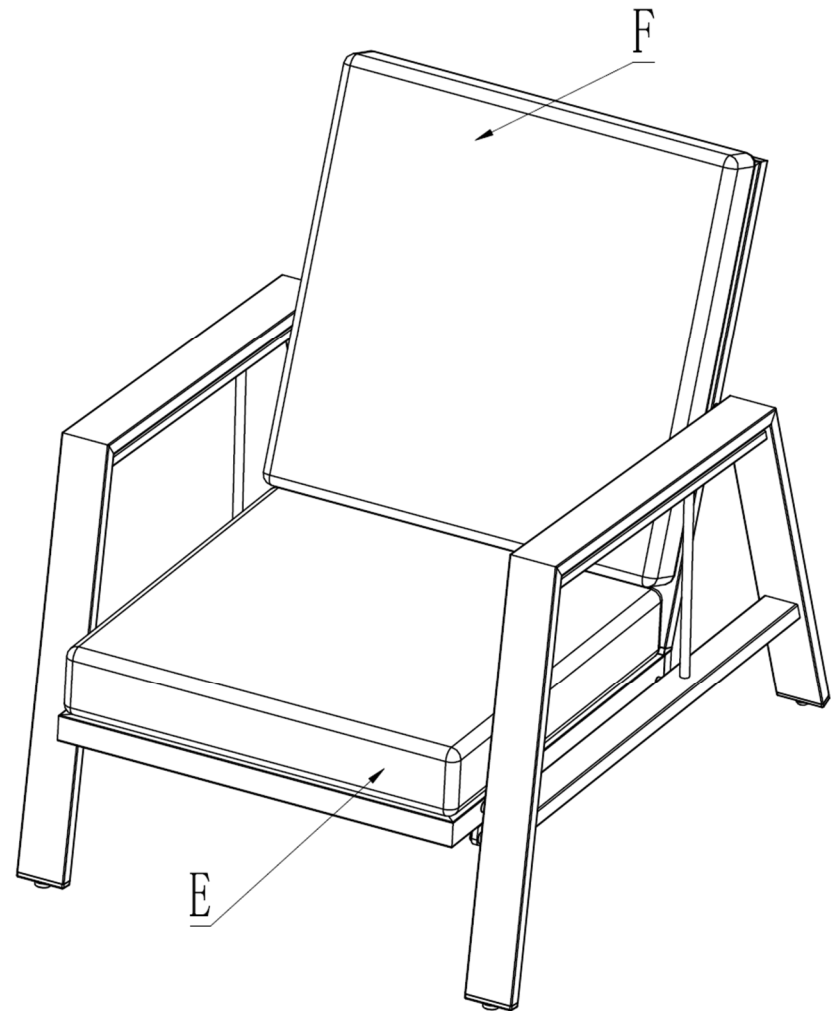
Step ①



Step ②



Step ③

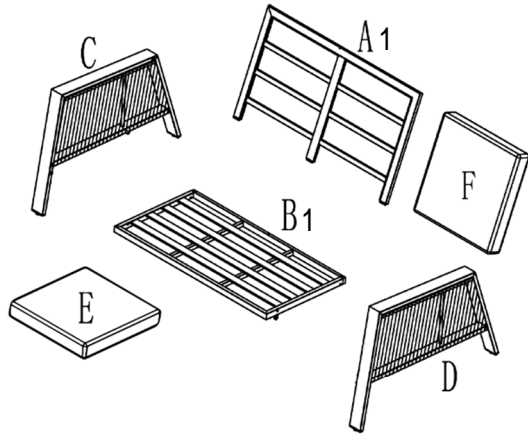


Assembly instructions of Double Chair

Step ①

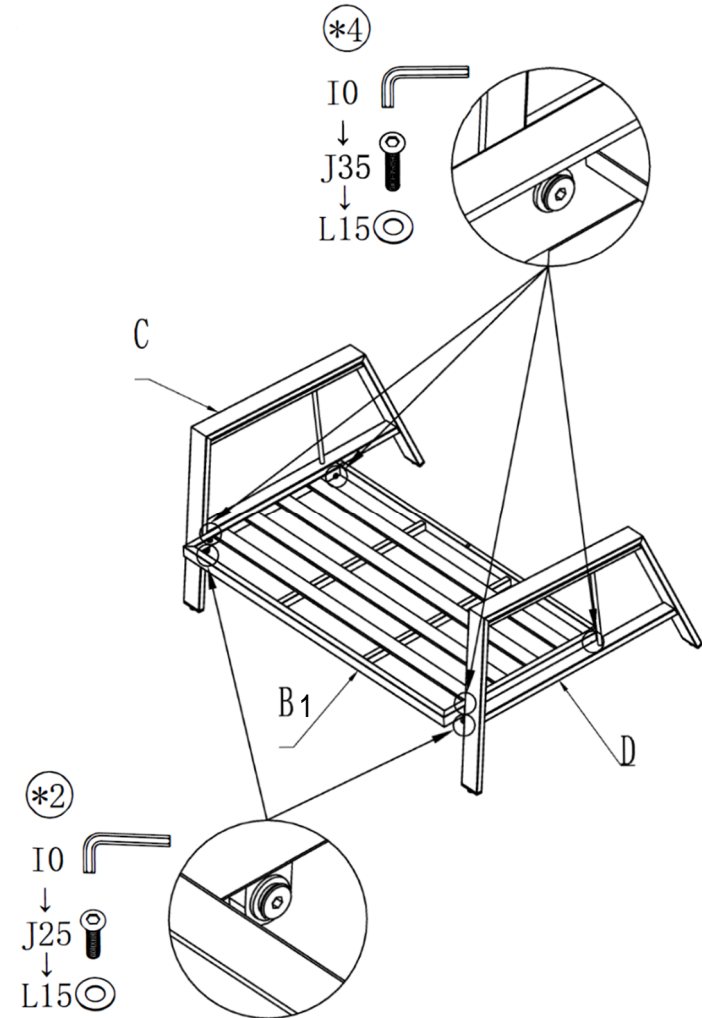


| Part Number | A1 | B1 | C | D | E | F |
|------------------|----|----|---|---|---|---|
| Images and Sizes | | | | | | |
| Qty. | 1 | 1 | 1 | 1 | 2 | 2 |

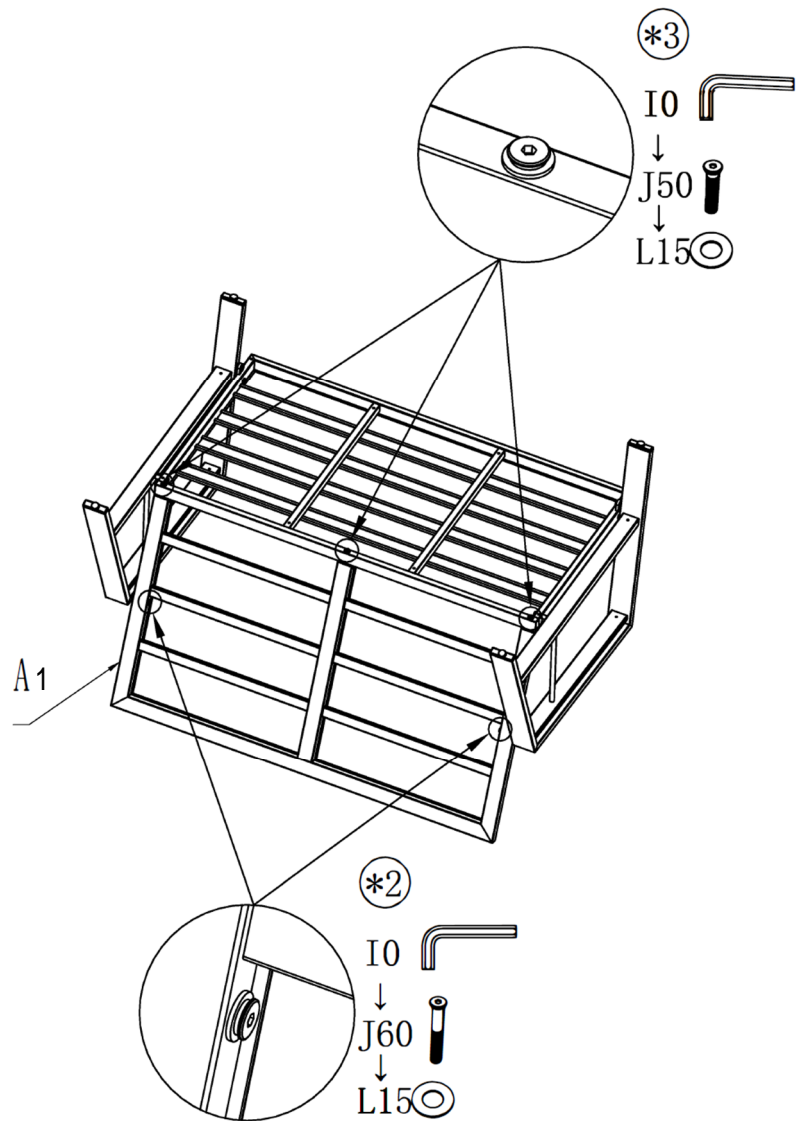


Hardware

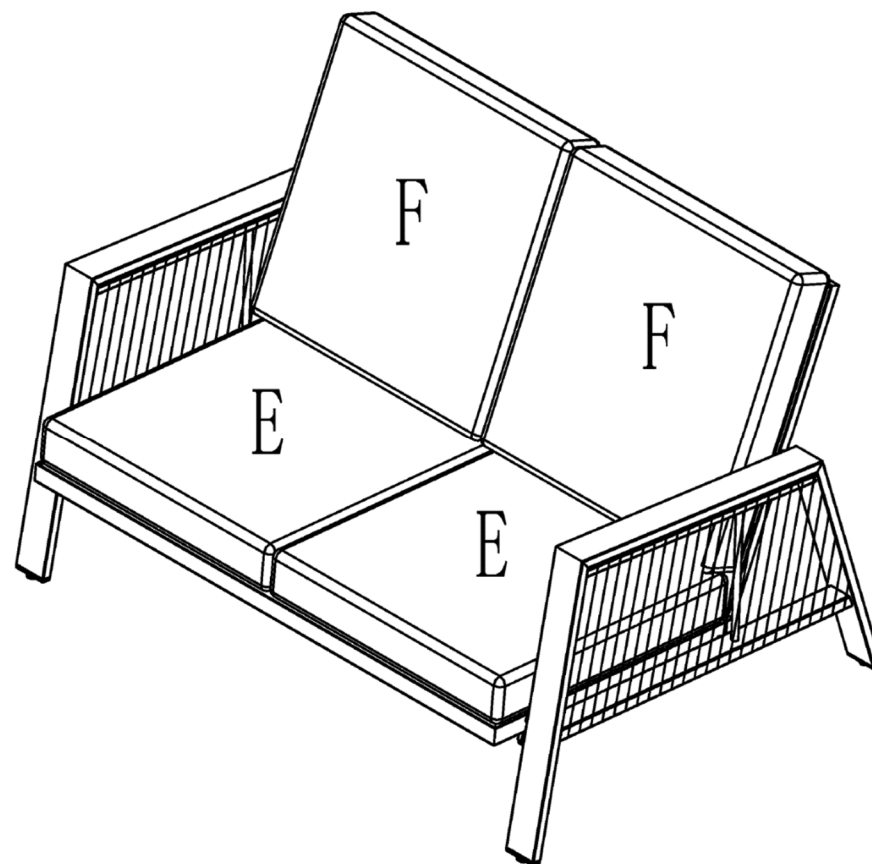
| Part Number | I0 | J25 | J35 | J50 | J60 | L15 |
|------------------|----|-------|-------|-------|-------|-----|
| Images and Sizes | | | | | | |
| | | M6*25 | M6*35 | M6*50 | M6*60 | M6 |
| Qty. | 1 | 2 | 4 | 3 | 2 | 11 |



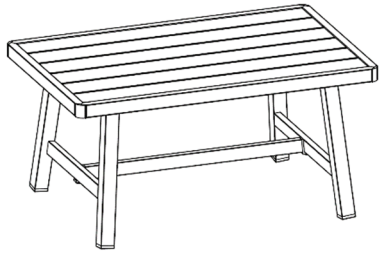
Step ②



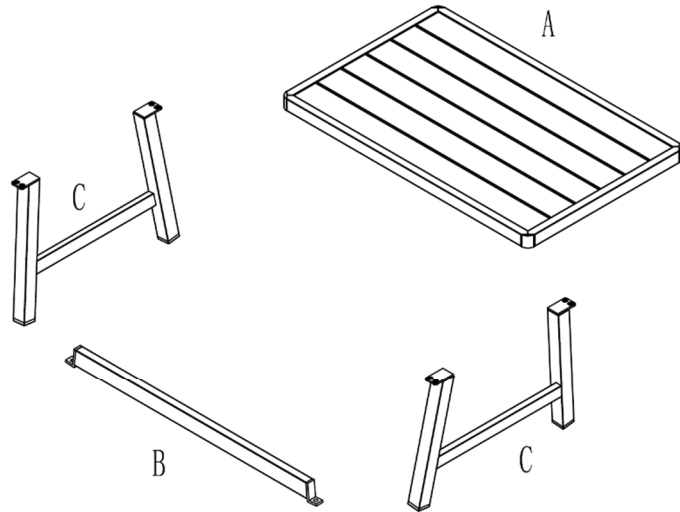
Step ③



Assembly instructions of Table



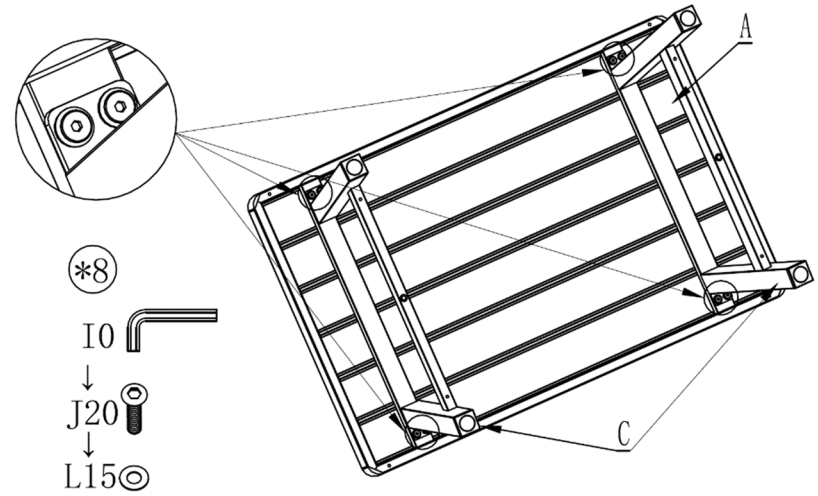
| | | | |
|------------------|---|---|---|
| Part Number | A | B | C |
| Images and Sizes | | | |
| Qty. | 1 | 1 | 2 |



Hardware

| | | | |
|------------------|----|-----|-----|
| Part Number | I0 | J20 | L15 |
| Images and Sizes | | | |
| Qty. | 2 | 10 | 10 |

Step ①



Step ②

