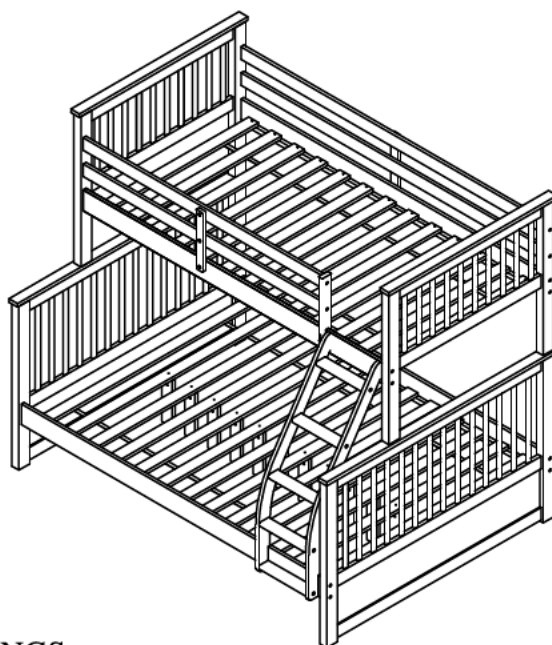


ASSEMBLY INSTRUCTION

NOTE :DO NOT FULLY TIGHTEN SCREWS UNTIL FULLY ASSEMBLED



SAFETY WARNINGS

Follow the information on the warning label appearing on the upper bunk end structure and on the carton...

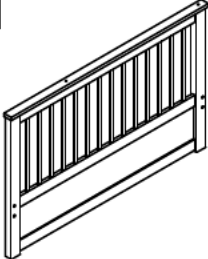
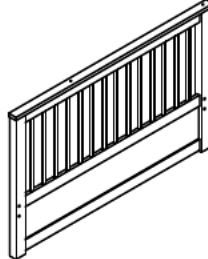
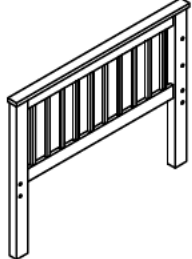
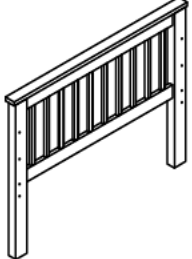
"Always use the recommended size mattress or mattress support, or both, to help prevent the likelihood of entrapment or falls".

Do not remove warning label from bed


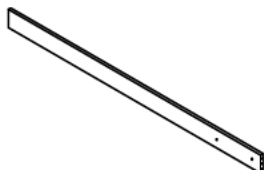
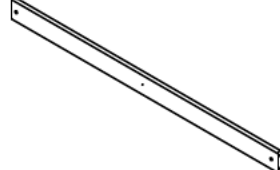
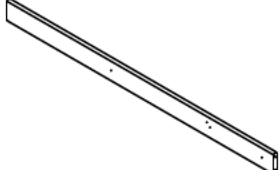

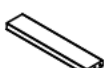


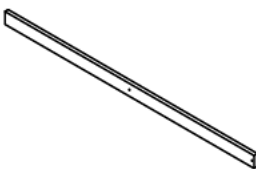
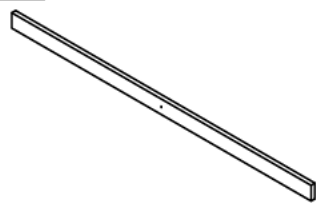

1. Never allow a child under 6 years on upper bunk.
2. Use only mattress that is 74" long, 38-1/2" wide and 9" high max on upper, 74" long 53"-54" wide and 9" high max on bottom bunk.
3. Ensure thickness of mattress and foundation combined does not exceed 9" and that mattress surface is at least 5" below upper edge of guardrails.
4. Use guardrails on both sides of upper bunk.
5. Do not allow horseplay on or under the bed and prohibit jumping on the bed .
6. Prohibit more than one person on upper bunk.
7. Always use the ladder for entering and leaving upper bunk_.
8. Periodically check and ensure that the guardrail, ladder, and other components are in their proper position, free from damage, and that all connectors are tight.
9. Do not use substitute part. Contact the manufacturer or dealer for replacement part.
10. Use of night light may provide added safety precaution for a child using the upper bunk.
11. If the bunk bed will be placed next to a wall, the guardrail that runs the full length of the bed should be placed against the wall to prevent entrapment between the bed and the wall.
12. The use of water or sleep flotation mattresses is prohibited.
13. Keep these instruction for future reference.
14. Strangulation Hazard - Never attach or hang items to any part of the bunk bed that are designed for use with the bed, for example, but not limited to, hooks, belts and jump ropes.

Note : Do Not Fully Tighten Screws until Fully Assembled

Box A (A + B + E + F)

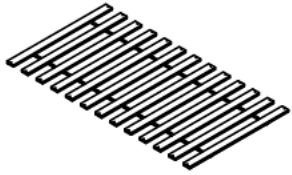
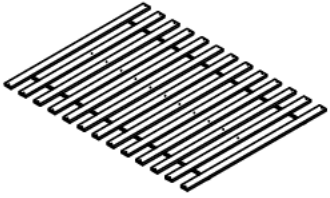

<p>A</p>  <p>Bottom right panel 1pc</p>	<p>B</p>  <p>Bottom left panel 1pc</p>	<p>E</p>  <p>Top right side panel 1pc</p>	<p>F</p>  <p>Top left side panel 1pc</p>
---	--	--	--

Box B (C + D + G + H + I + M + Q + P + R + K + J + L)

<p>C</p>  <p>Lower back side rail 1pc</p>	<p>D</p>  <p>Lower front side rail 1pc</p>	<p>G</p>  <p>Back upper side rail 1pc</p>	<p>H</p>  <p>Front upper side rail 1pc</p>
<p>M</p>  <p>Guardrail bars 2pcs</p>	<p>Q</p>  <p>Ladder step 5pcs</p>	<p>P</p>  <p>Ladder left side rail 1pc</p>	<p>R</p>  <p>Ladder right side rail 1pc</p>
<p>K</p>  <p>Front Guardrail bars 2pcs</p>	<p>J</p>  <p>Back Guardrail bars 2pcs</p>	<p>L</p>  <p>Front side Guardrail bars 1pc</p>	







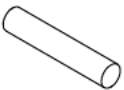




Note : Do Not Fully Tighten Screws until Fully Assembled

Box C (N + O + S)

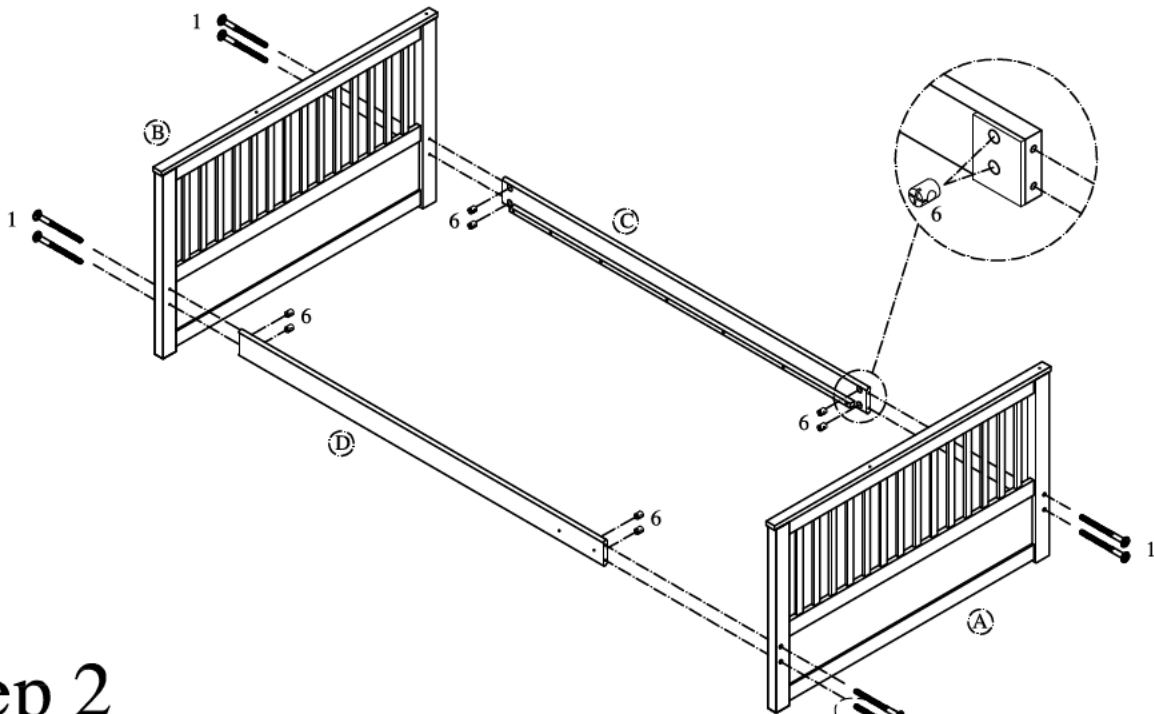
<p>N</p>  <p>Upper slat 1 set(1 set = 13 slat)</p>	<p>O</p>  <p>Bottom slat 1 set (1 set = 13 slat)</p>	<p>S</p>  <p>Center supports 11 pcs</p>	
--	--	--	--

HARDWARE & ILLUSTRATION

Packed in Box A

<p>1</p>  <p>Ø15x Ø1/4" x 85mm Hex-Head bolts 22pcs</p>	<p>2</p>  <p>Ø15x Ø1/4" x 30mm Hex-Head bolts 6 pcs</p>	<p>3</p>  <p>Ø15x Ø1/4" x 50mm Hex-Head bolts 10pcs</p>	<p>4</p>  <p>Ø15x Ø1/4" x 65mm Hex-Head bolts 13 pcs</p>	<p>5</p>  <p>Ø8 x 30mm Wood dower 36pcs</p>
<p>6</p>  <p>Ø10x 1/4" x 12mm Horizontal-Hole bolts 35 pcs</p>	<p>7</p>  <p>Ø10 x 90mm Stell dower 4pcs</p>	<p>8</p>  <p>M4 x 35 mm Wood Screws 52 pcs</p>	<p>9</p>  <p>Ø15x Ø1/4" x 45mm Hex-Head bolts 5 pcs</p>	<p>10</p>  <p>Allen Key 2 pcs</p>
<p>11</p>  <p>Ø13 x Ø7.8 x 1/4" x 20 mm Nut: 1 Pc</p>				

Step 1

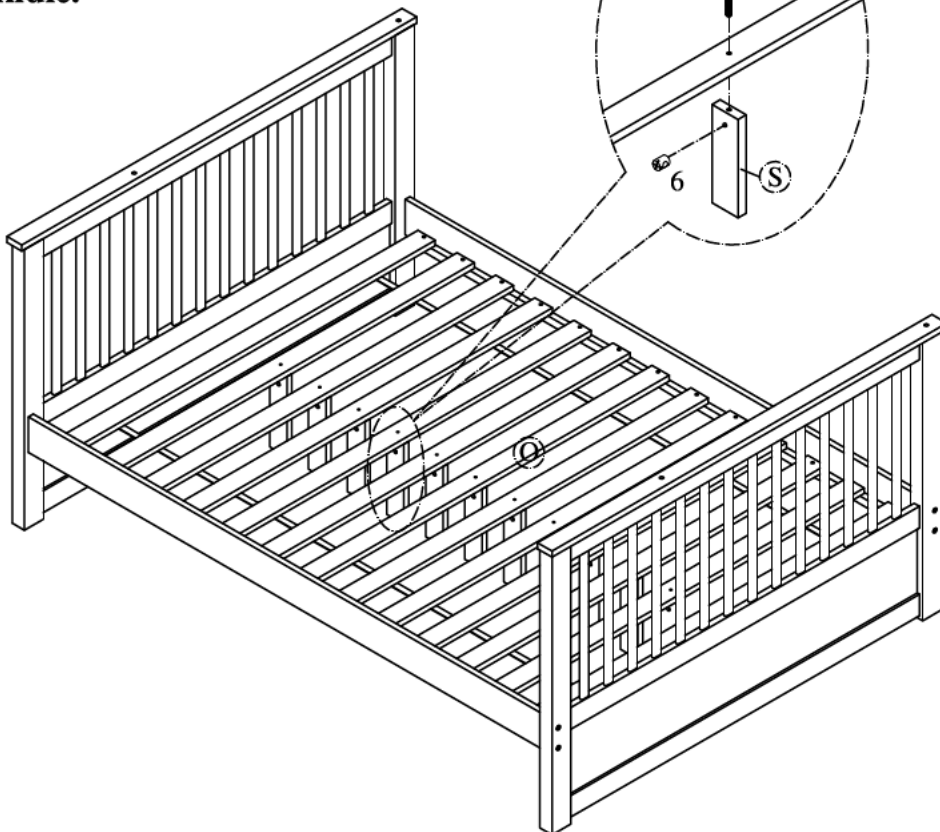
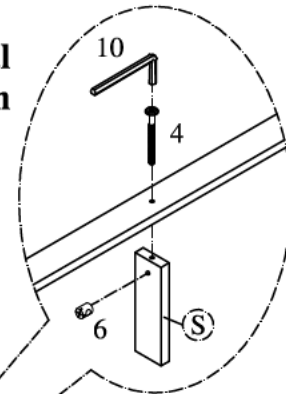
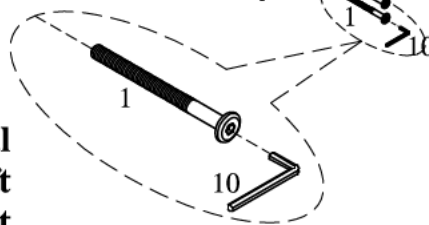


Step 2

NOTE.

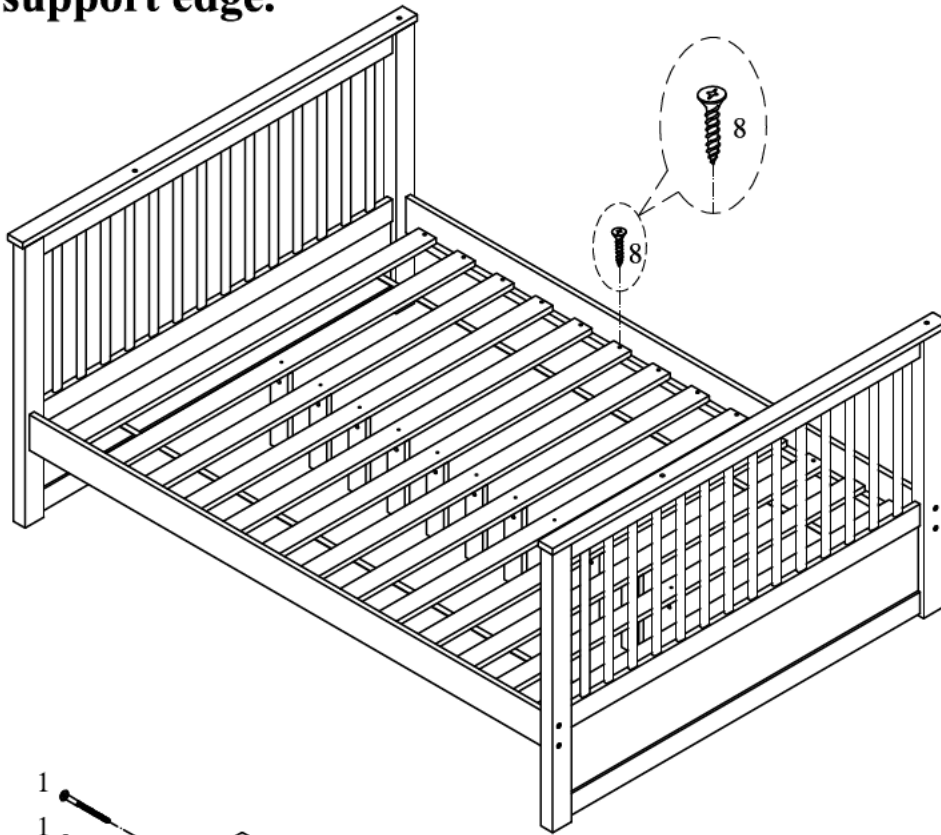
1. When installing the slats and optional support legs, please note that the far left and right slats will not have support legs.

2. Important Note: Remove the optional support legs when using the add-on trundle.

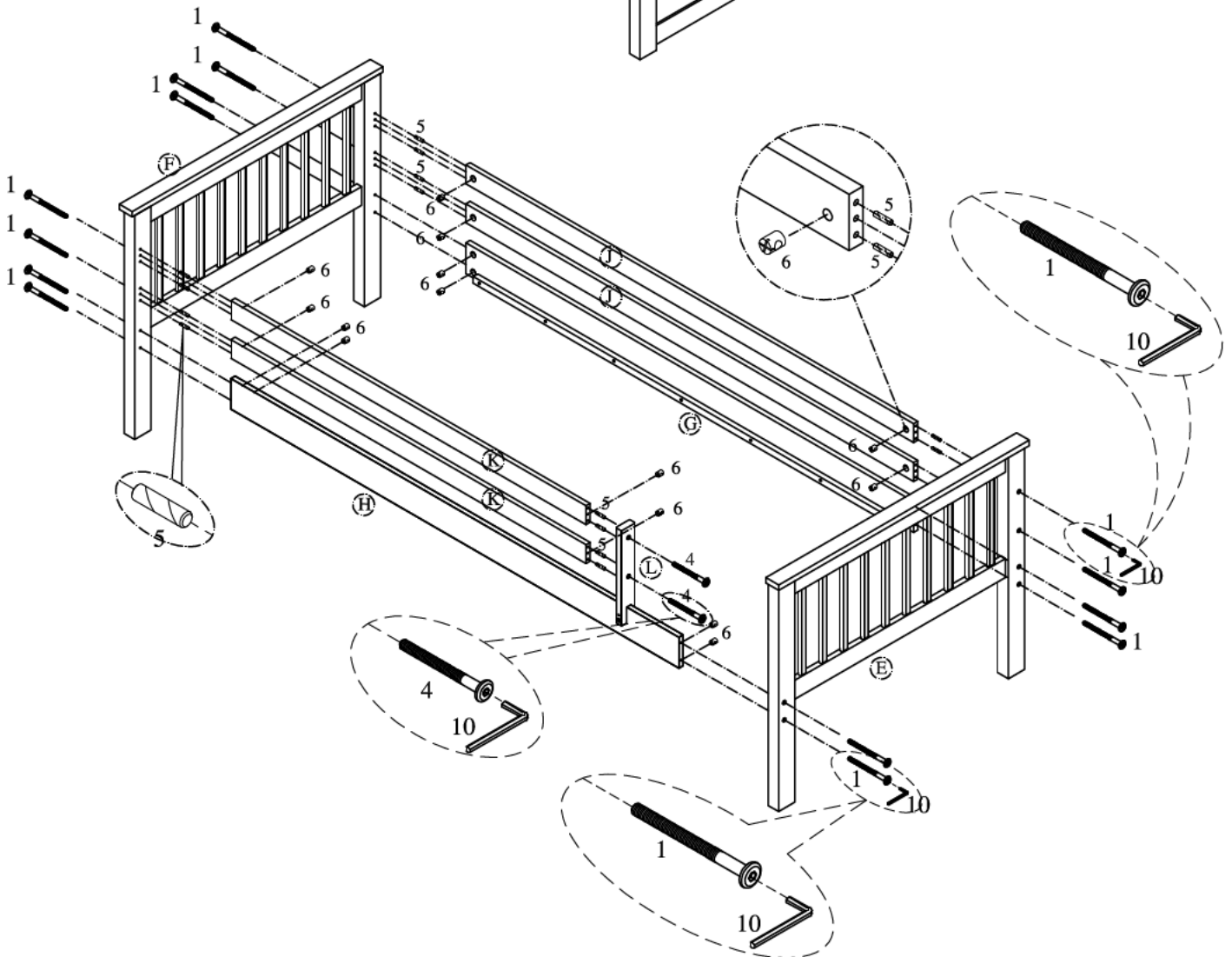


Step 3

NOTE. The slats have been precisely sized to fit standard mattresses. Side rails must be pushed together so that the slats are installed firmly on the slat support edge.

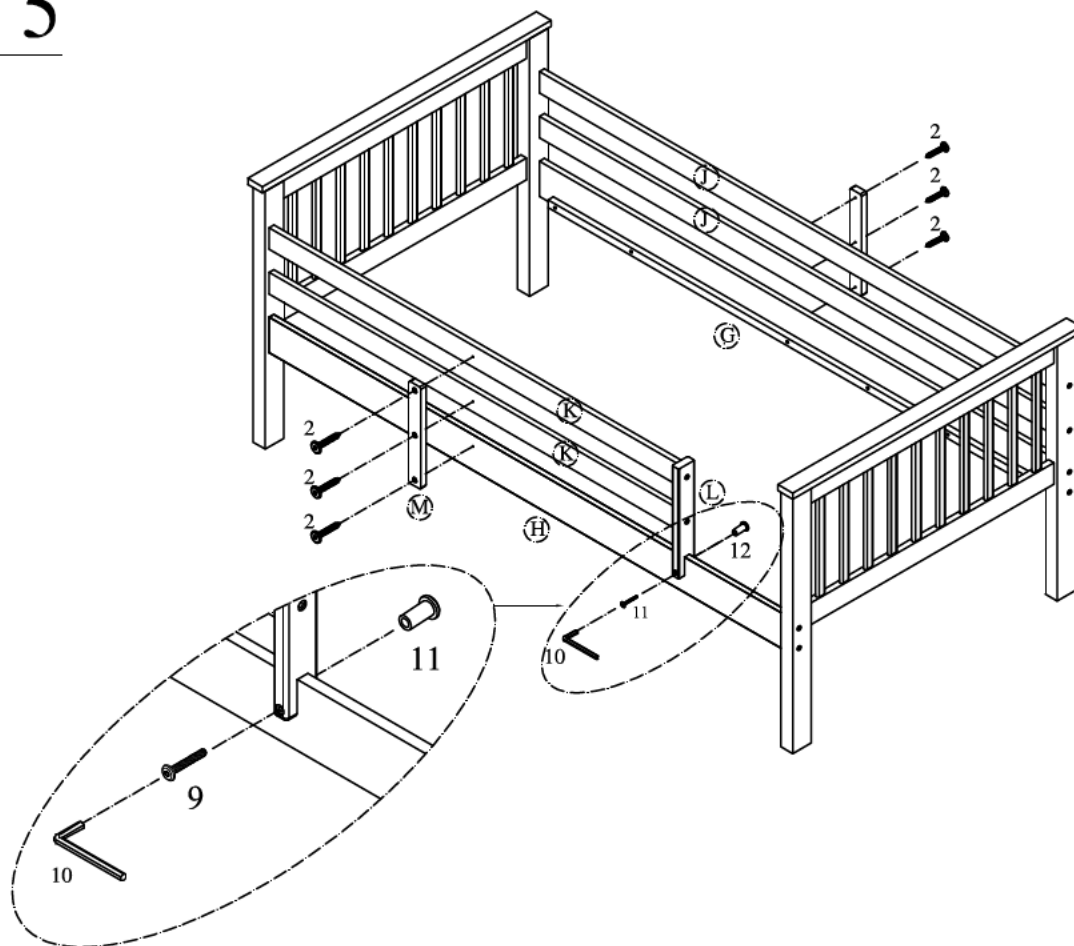


Step 4



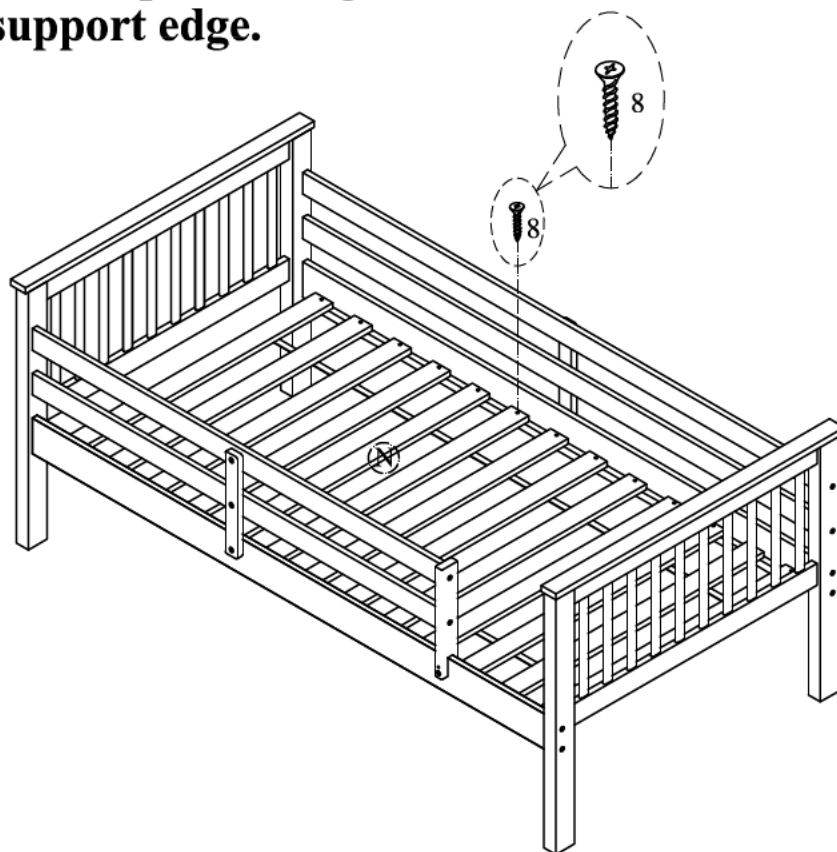
Step 5

6



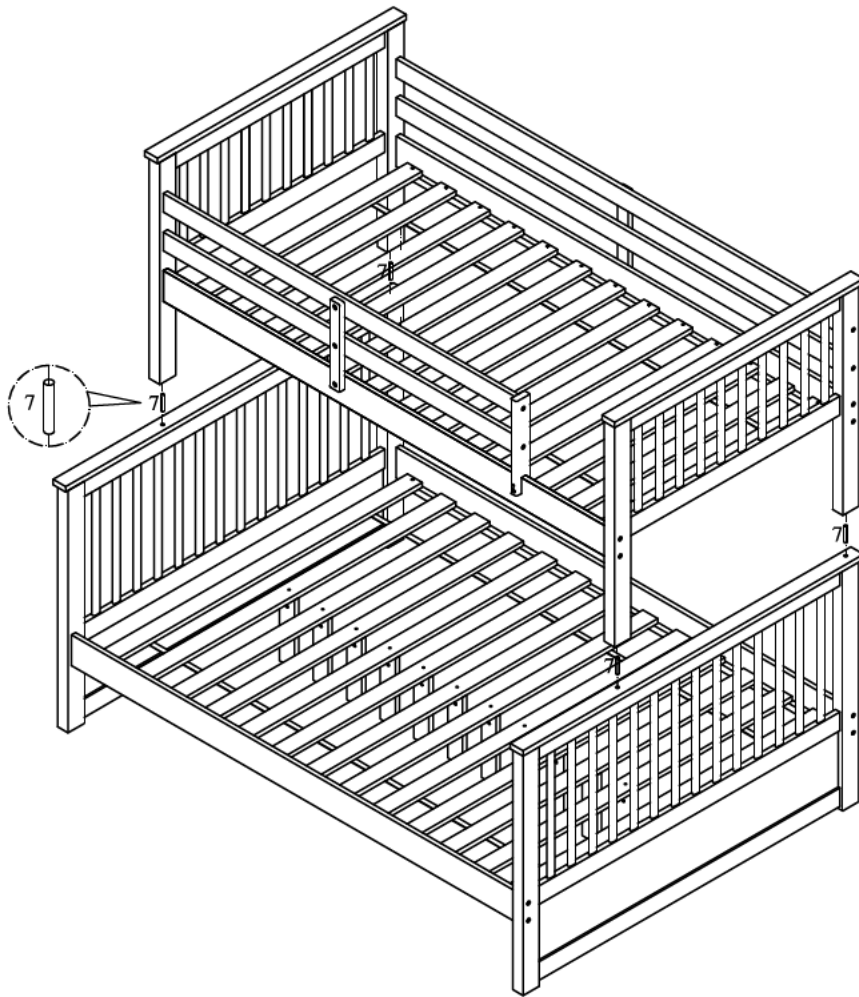
Step 6

NOTE: The slats have been precisely sized to fit standard mattresses. Side rails must be pushed together so that the slats are installed firmly on the slat support edge.

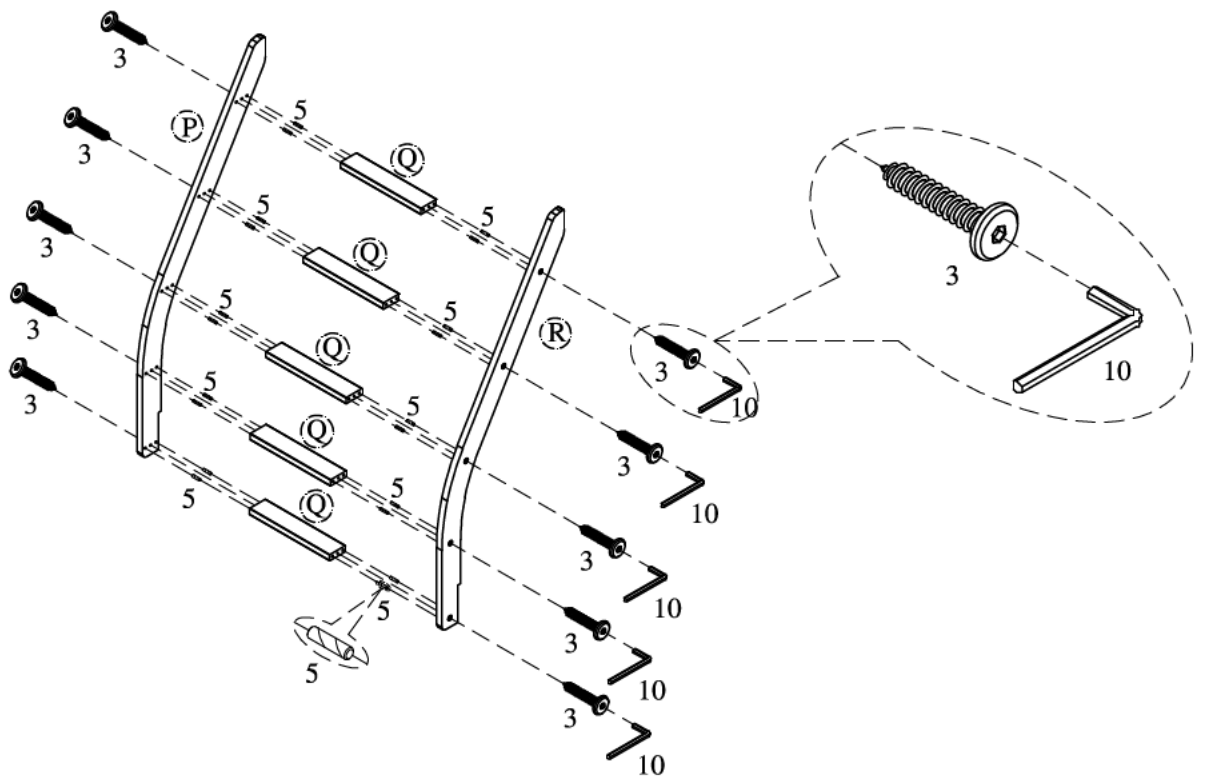


Step 7

7



Step 8



Step 9

