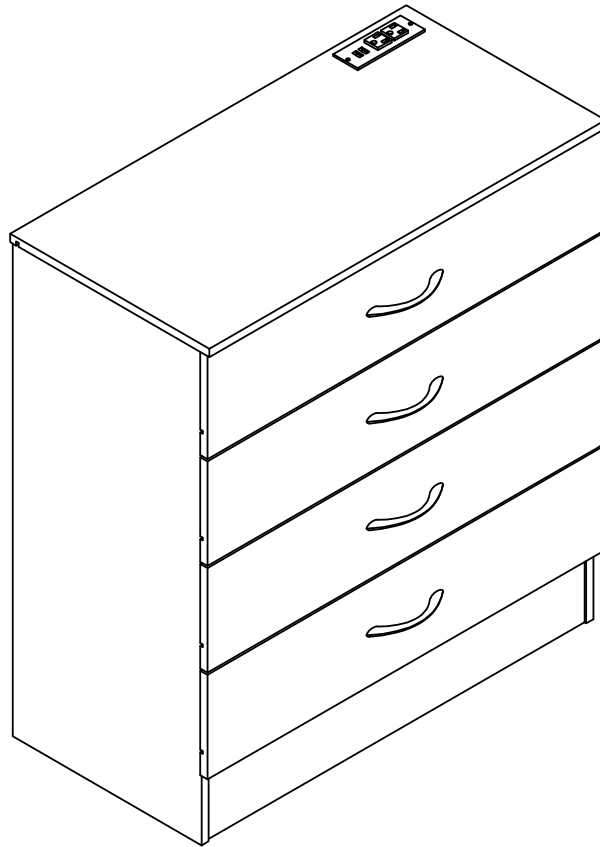
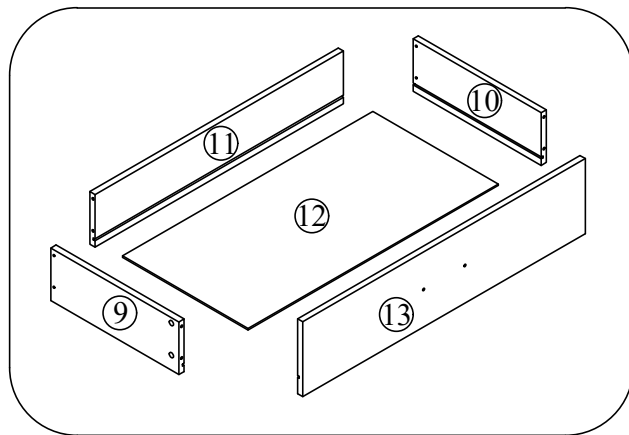
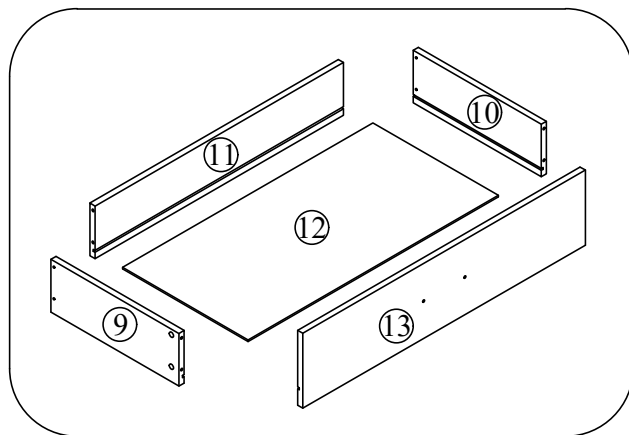
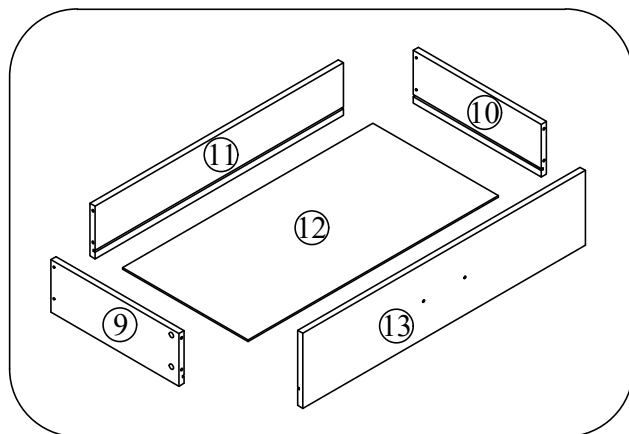
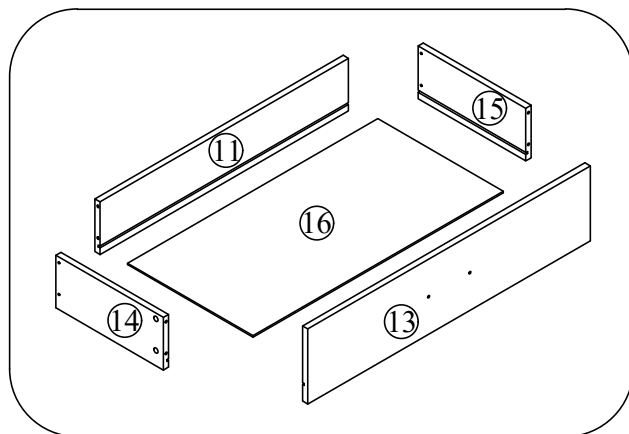
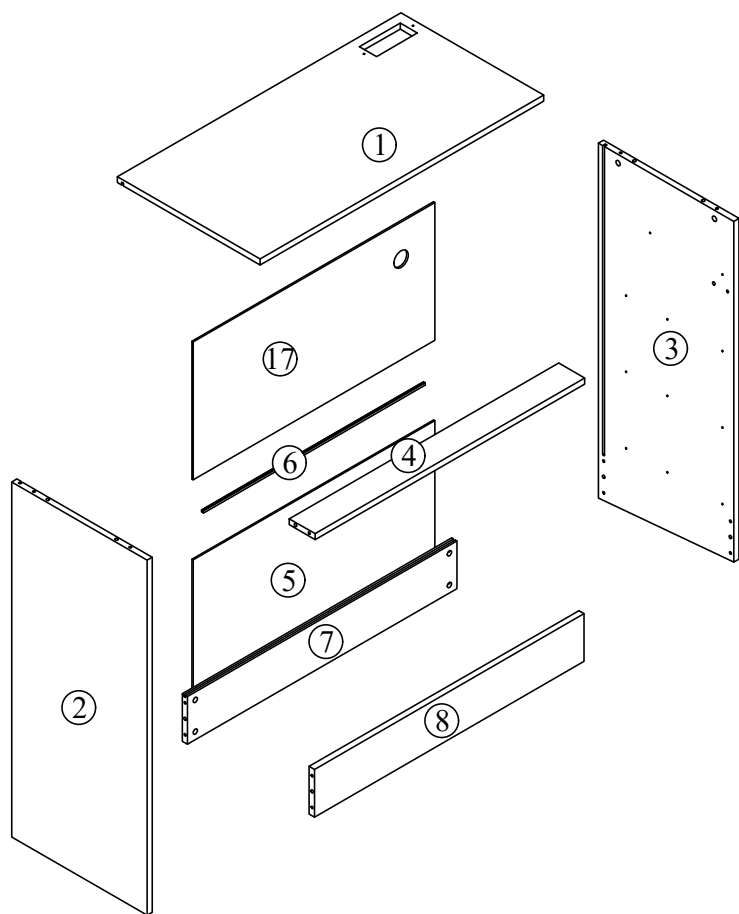
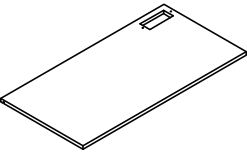

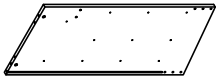
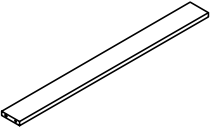
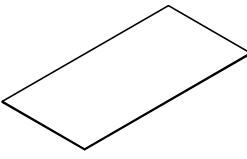

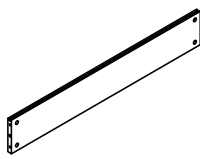
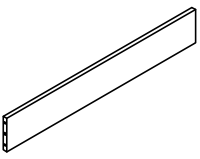
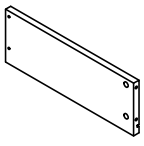
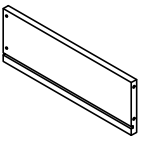
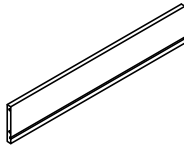
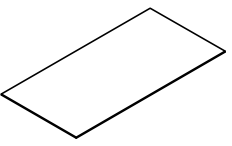
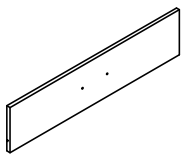
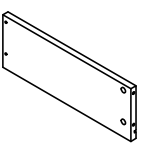
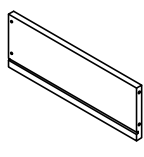
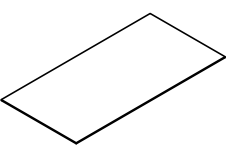
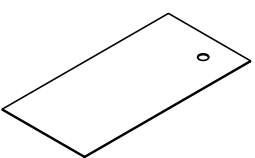


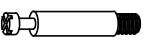

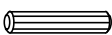

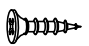
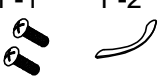

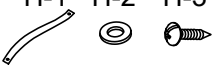


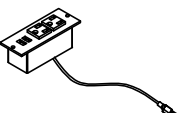
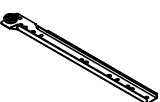
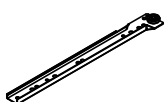
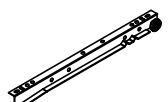
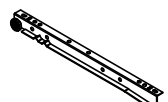

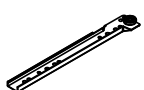
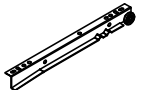
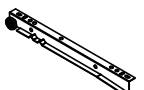


Assembly Instruction

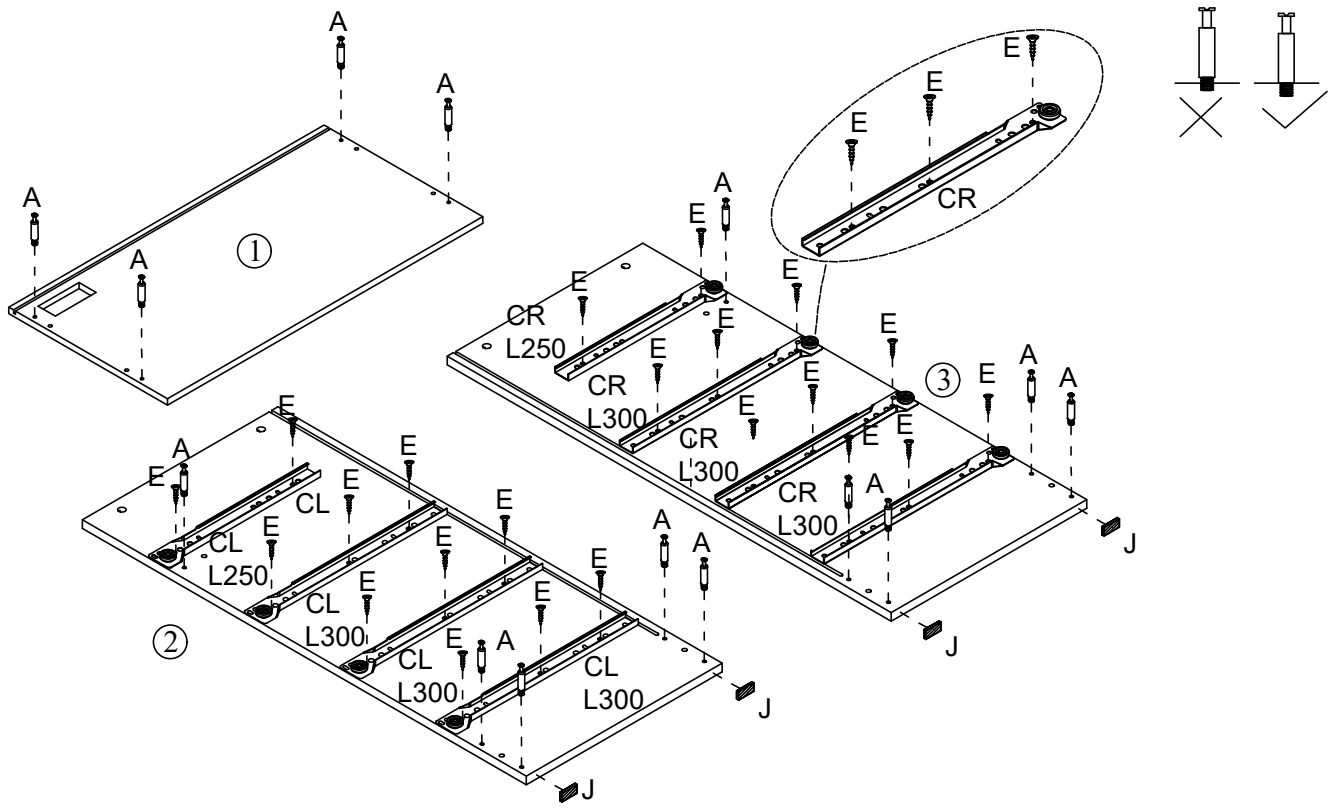


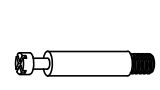
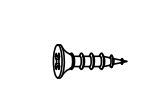
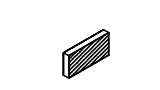
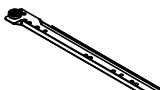





1  659x331x15 x1	2  714x317x15 x1	3  714x317x15 x1	4  627x59x12 x1
5  634x313 x1	6  625mm x1	7  627x95x12 x1	8  627x95x12 x1
9  298x105x12 x3	10  298x105x12 x3	11  578x105x12 x4	12  585x292 x3
13  656x150x12 x4	14  250x105x12 x1	15  250x105x12 x1	16  585x244 x1
17  634x313 x1			

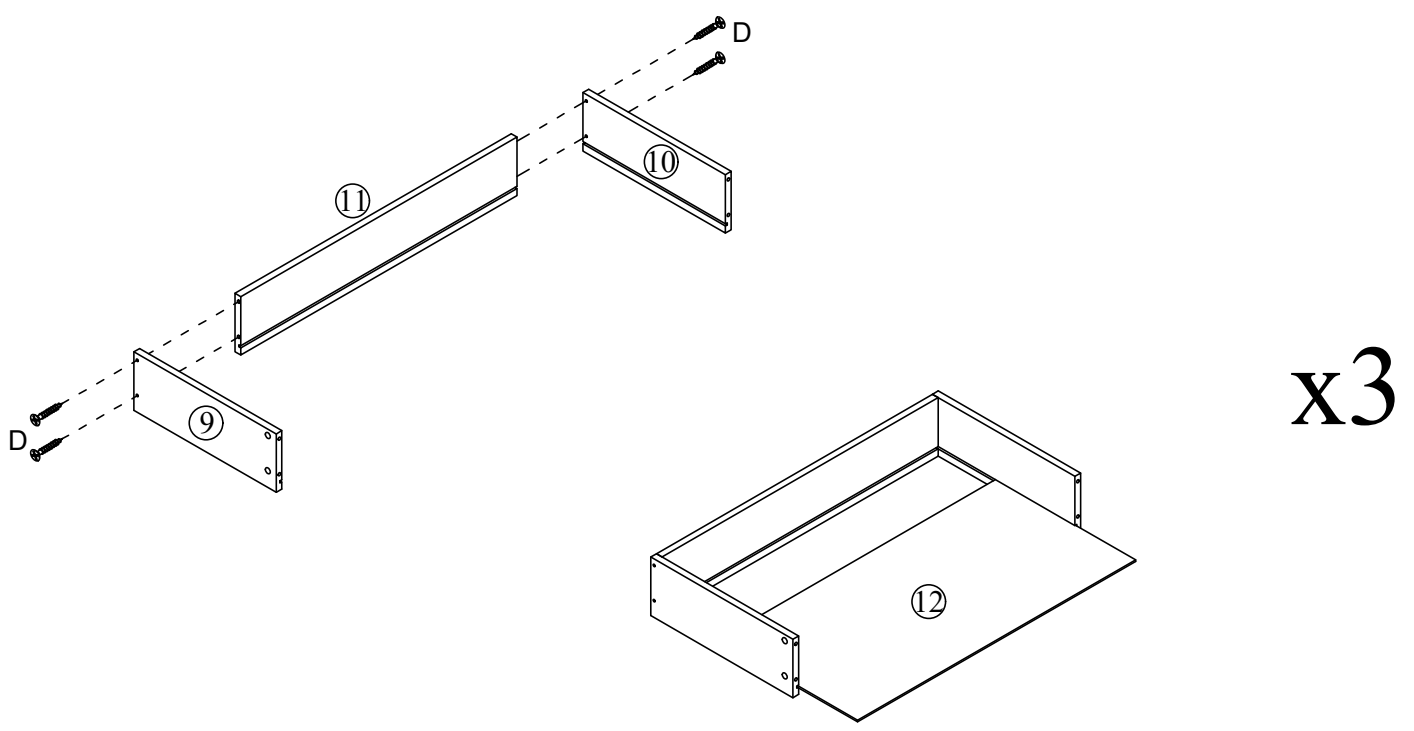
A  Φ6X35mm x 30+1	B  Φ15X10mm x 30+1	C  Φ6X30mm x 10+2	D  Φ4X35mm x 16+1	E  Φ3X12mm x 46+2
F F-1 F-2  Φ4X16mm x 4	G G-1 G-2  Φ3X16mm x 4	H H-1 H-2 H-3  Φ4X12mm x 1	I I-1 I-2 I-3  Φ4X45mm x 1	J  25X12X3mm x 4
K  x 1	CL  L300 x 3	CR  L300 x 3	DL  L300 x 3	DR  L300 x 3
CL  L250 x 1	CR  L250 x 1	DL  L250 x 1	DR  L250 x 1	

1




 x14	 x 22	 x 4	 L300 x3	 L300 x 3	 L250 x 1	 L250 x 1
---	--	---	---	--	--	--

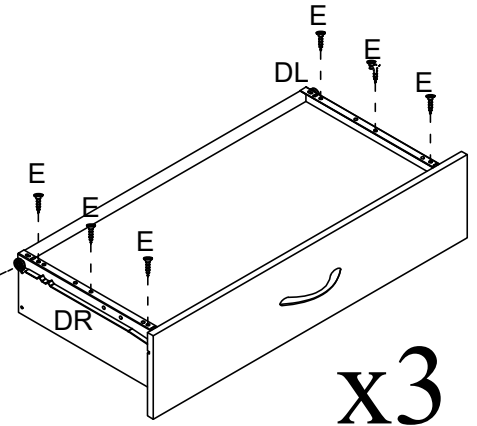
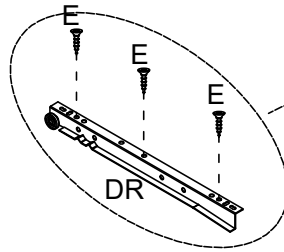
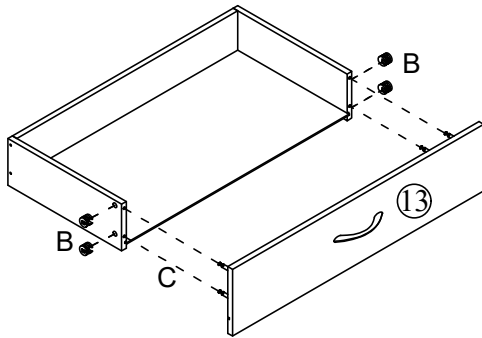
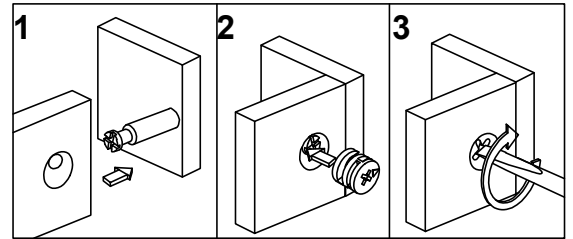
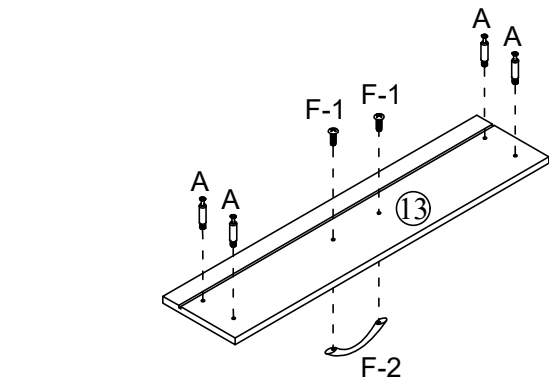
2



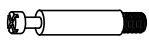



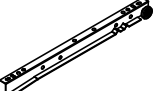
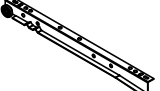
x3

<p>D</p>  x 12
--

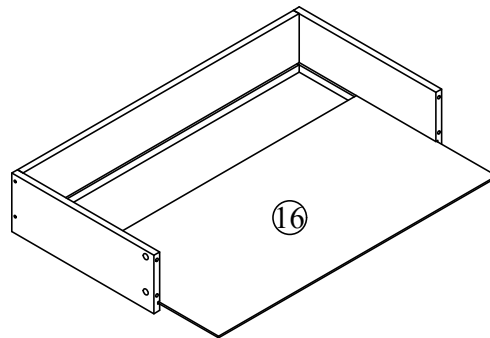
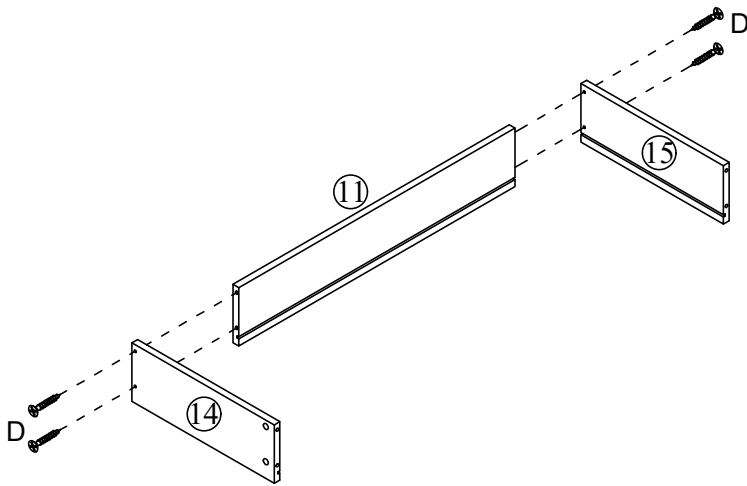
3

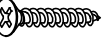


x3

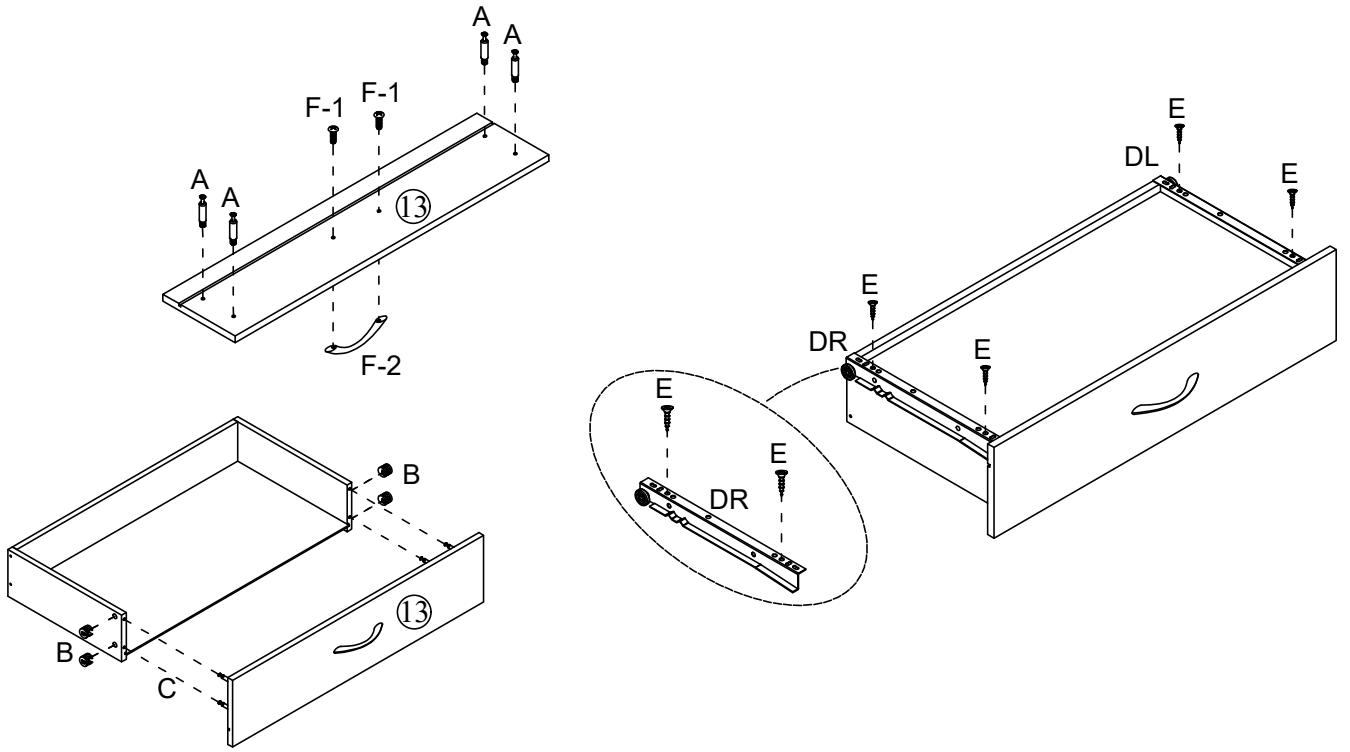
<p>A</p>  <p>x12</p>	<p>B</p>  <p>x12</p>	<p>E</p>  <p>x18</p>	<p>F</p>  <p>x3</p>	<p>DL</p>  <p>L300 x3</p>	<p>DR</p>  <p>L300 x3</p>
---	--	---	--	---	---

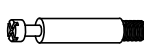


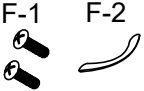
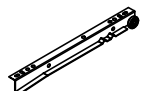
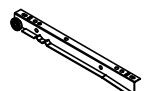
4



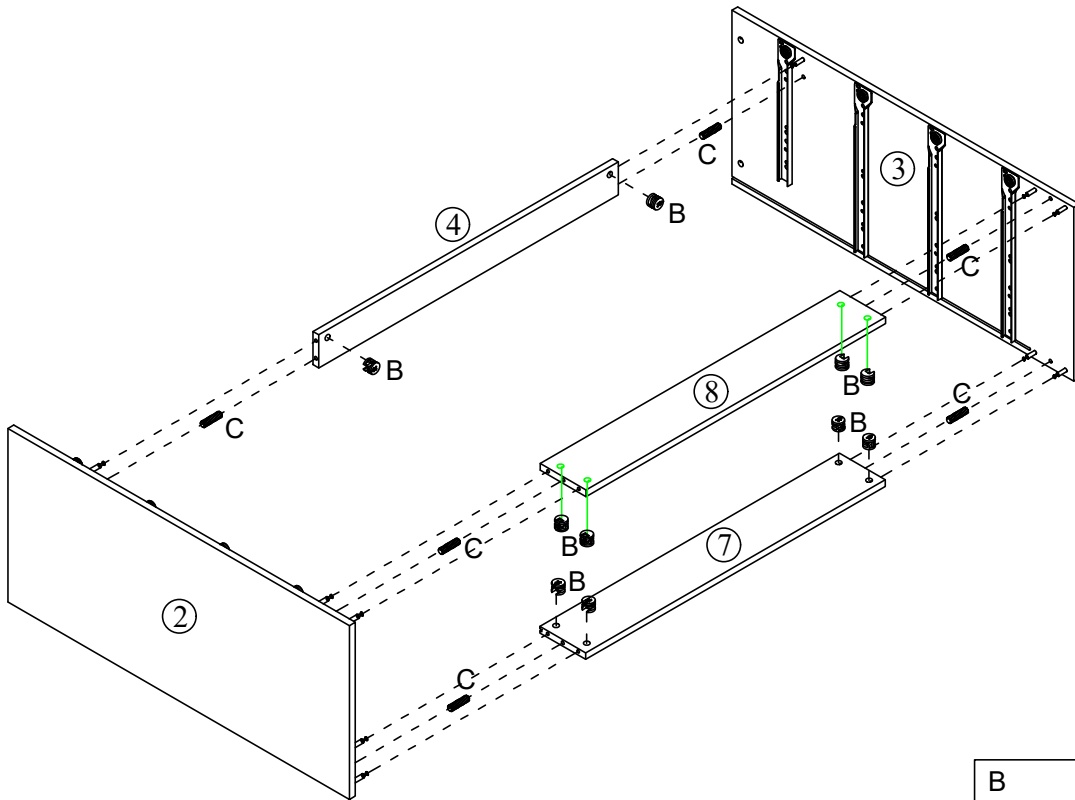
<p>D</p>  <p>x4</p>
--



5



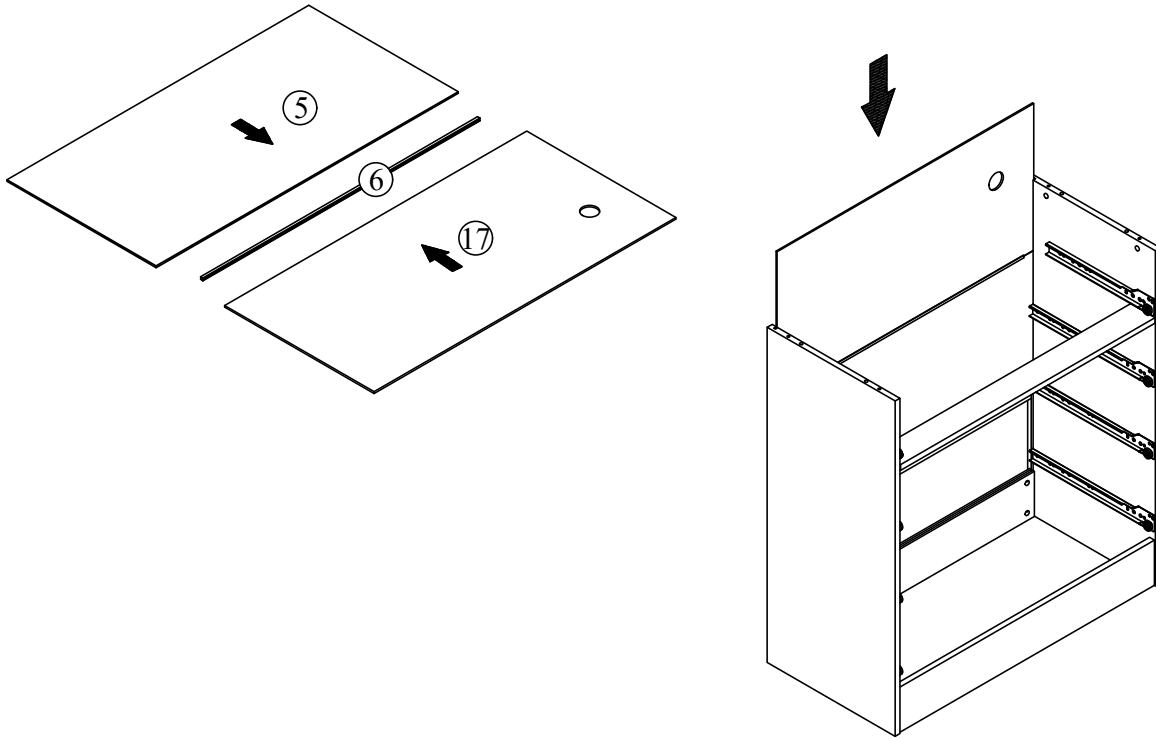
<p>A</p>  <p>x4</p>	<p>B</p>  <p>x4</p>	<p>E</p>  <p>x4</p>	<p>F</p> <p>F-1 F-2</p>  <p>x1</p>	<p>DL</p>  <p>L250 x1</p>	<p>DR</p>  <p>L250 x1</p>
---	---	---	--	---	---

6

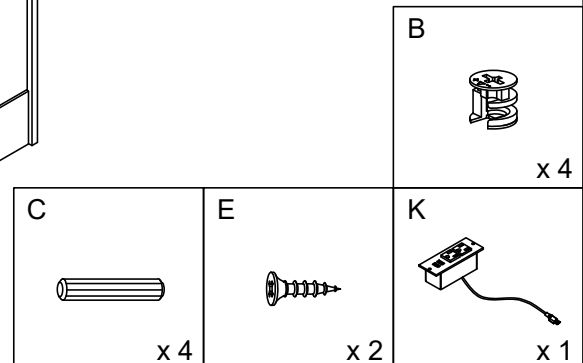
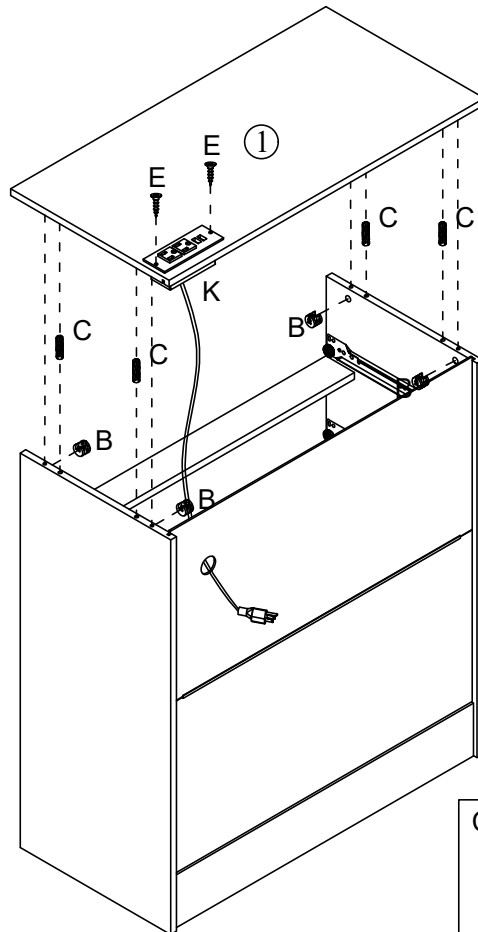


<p>B</p>  <p>x10</p>	<p>C</p>  <p>x6</p>
---	--

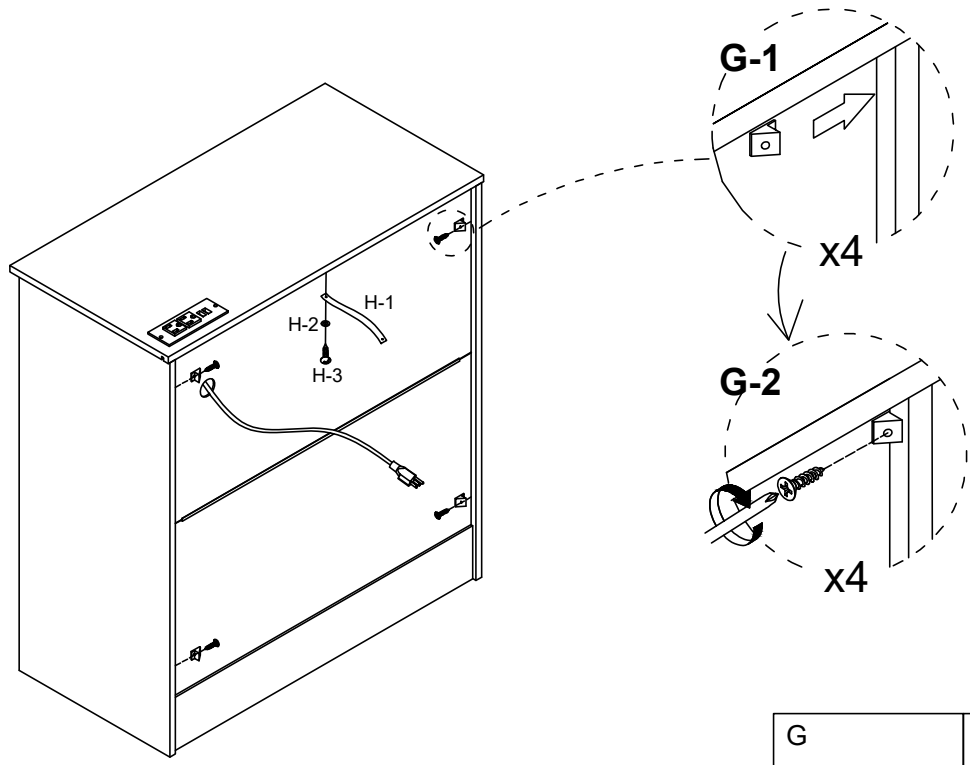
7








8

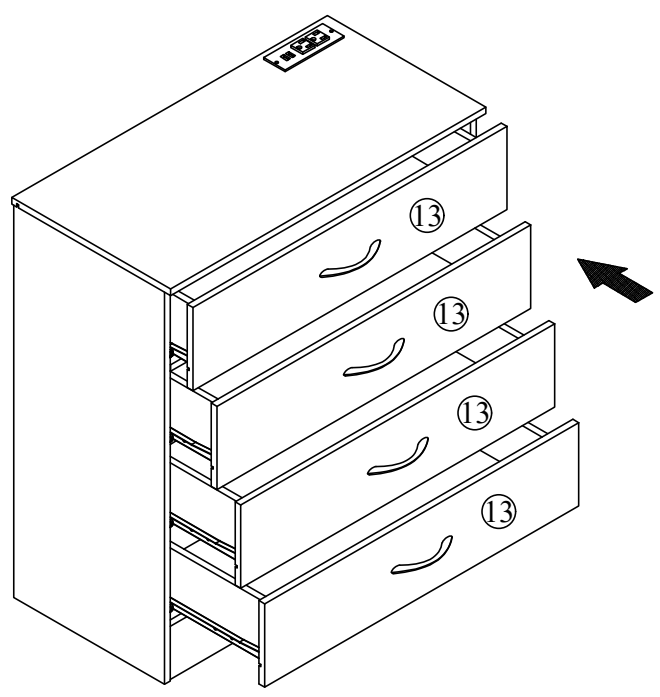


9

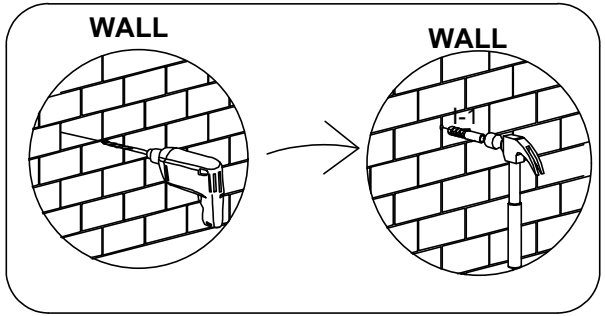
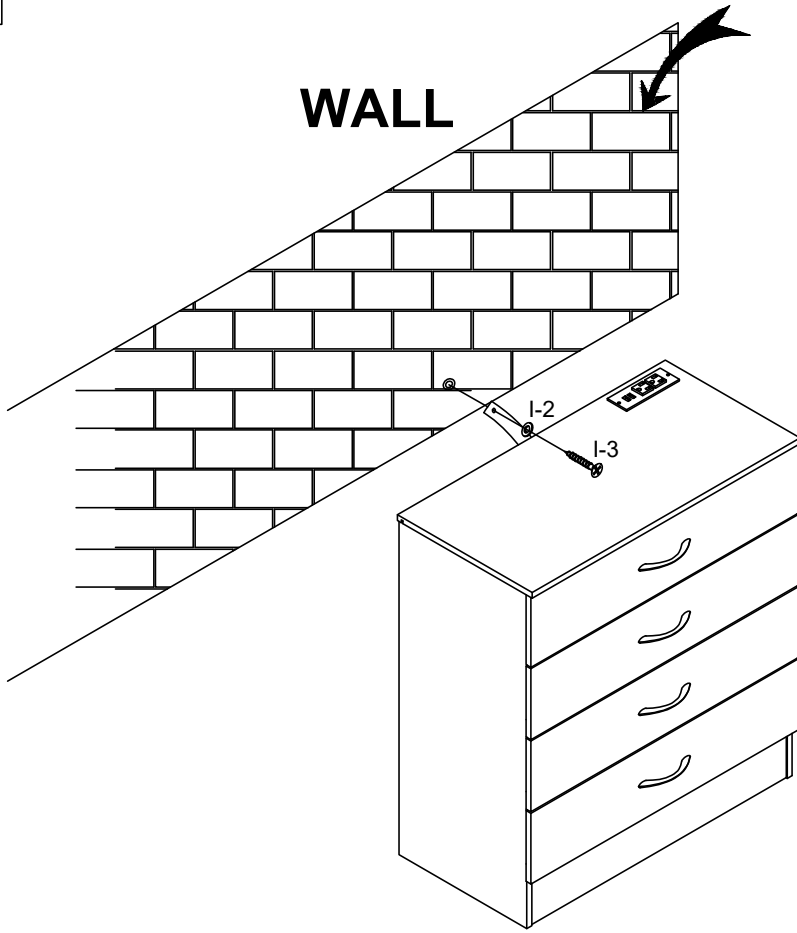


G		H		
G-1	G-2	H-1	H-2	H-3
				
	x 4			x 1

10



11



- I
- I-1
 - I-2
 - I-3
-
- x 1

12

