

ASSEMBLY INSTRUCTIONS

IMPORTANT: READ THESE INSTRUCTIONS CAREFULLY BEFORE ASSEMBLING THE BED.

**IMPORTANT: - READ CAREFULLY -
RETAIN FOR FUTURE REFERENCE**

HEALTH & SAFETY:

DO NOT jump on this bed frame.

DO NOT use this bed frame if any parts are missing, damage or worn.

DO NOT use this bed frame unless all fixings are secured.

Please keep small parts out of reach of children.

Always use on a level, even surface.

This bed is tested to European safety standard BS EN 747-1 & 2:2012+41:2015

WARNING: If this bed is placed on a non-carpeted floor you must place some protection under all legs to stop the bed frame from moving. If this is not adhered to there is no guarantee if the bed frame collapses.

WARNING: High beds are not suitable for use by children under six years of age due to risk of injury from falls.

WARNING: Please note the area underneath the bed is to be used for storage purpose only.

WARNING: High beds can present a serious risk of injury from strangulation if not used correctly. Never attach or hang anything on any part of the frame that is not designed to be used with the bed, for example, but not limited to ropes, strings, cords, hooks, belts, and bags.

WARNING: Do not use the high bed if any structural part is broken or missing.

WARNING: Children can become trapped between the bed and the wall, a roof pitch, the ceiling, adjoining pieces of furniture (e.g. cupboards) and the like. To avoid risk of serious injury, the distance between the top safety barrier and the adjoining structure shall not exceed 75mm or shall be more than 230mm.

- Always follow the manufacturer's instructions.

- Use ladder for entering and leaving upper bunk.

CARE & MAINTENANCE:

Assemble in the room of use.

Assemble on a soft, clean surface.

Please check regularly that all assembly fastenings are properly tightened.

DO NOT push the bed frame as this will damage the legs.

Always lift the bed with two people to reposition.

Use a soft, dry cloth to clean - do not use any detergents or chemicals.

Avoid contact with water and direct sunlight. **Do not place bed near heat sources, window to keep the humidity low and prevent mould in and around the bed**

INFORMATION

- Maximum thickness of mattress 15cm. Please refer to marking headboard.

- Recommend size of mattress L192cm x W92cm x H15cm

- When you are ready to start, make sure that you have the right tools, plenty of space on a clean, dry area for assembly.

- Check the pack and make sure you have all the parts listed.

- Ensure that this product is fully assembled and secured as illustrated before use.

ASSEMBLY INSTRUCTIONS LEYTON CABIN BED

IMPORTANT: READ THESE INSTRUCTIONS CAREFULLY BEFORE ASSEMBLING OR USING YOUR LEYTON CABIN BED.

PLEASE KEEP THESE INSTRUCTIONS FOR FUTURE REFERENCE.

HEALTH & SAFETY:

DO NOT use this item if any parts are missing, damaged or worn.

DO NOT use this item unless all fixings are secured.

Please keep small parts out of reach of children.

Always use on a level, even surface.

It is recommended that two people handle and assemble the item.

Birlea advise you use the wall straps provided to further enhance the safety of this product.

CARE & MAINTENANCE:

Assemble in the room of use.

To avoid damages assemble the item on a soft, clean surface

Periodically check all screws & fixings to ensure they are secure.

DO NOT push the item as this will damage the base.

Always lift the item with two people to reposition.

Keep any sharp objects away from the item.

This product is manufactured in pine which is a wood with natural characteristics including knots, grains, clusters or indentations.

On unpacking the item you may notice an odour due to production processes but this will disappear after a period of time.

DO NOT place the item next to a radiator or direct sunlight - this item is susceptible to temperature change. It is recommended an even room temperature be maintained with no sudden fluctuations.

DO NOT place hot or cold items directly onto the surface of the item as marking will occur

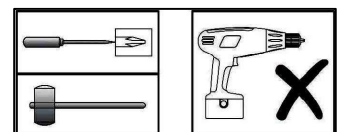
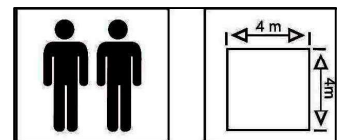
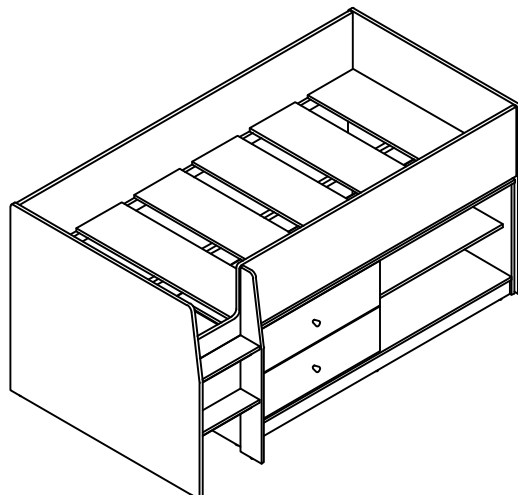
For general cleaning use a duster or damp cloth (almost dry) not wet - do not use soap and water, detergents, aerosol sprays or any polish as use of these materials would invalidate any claims.

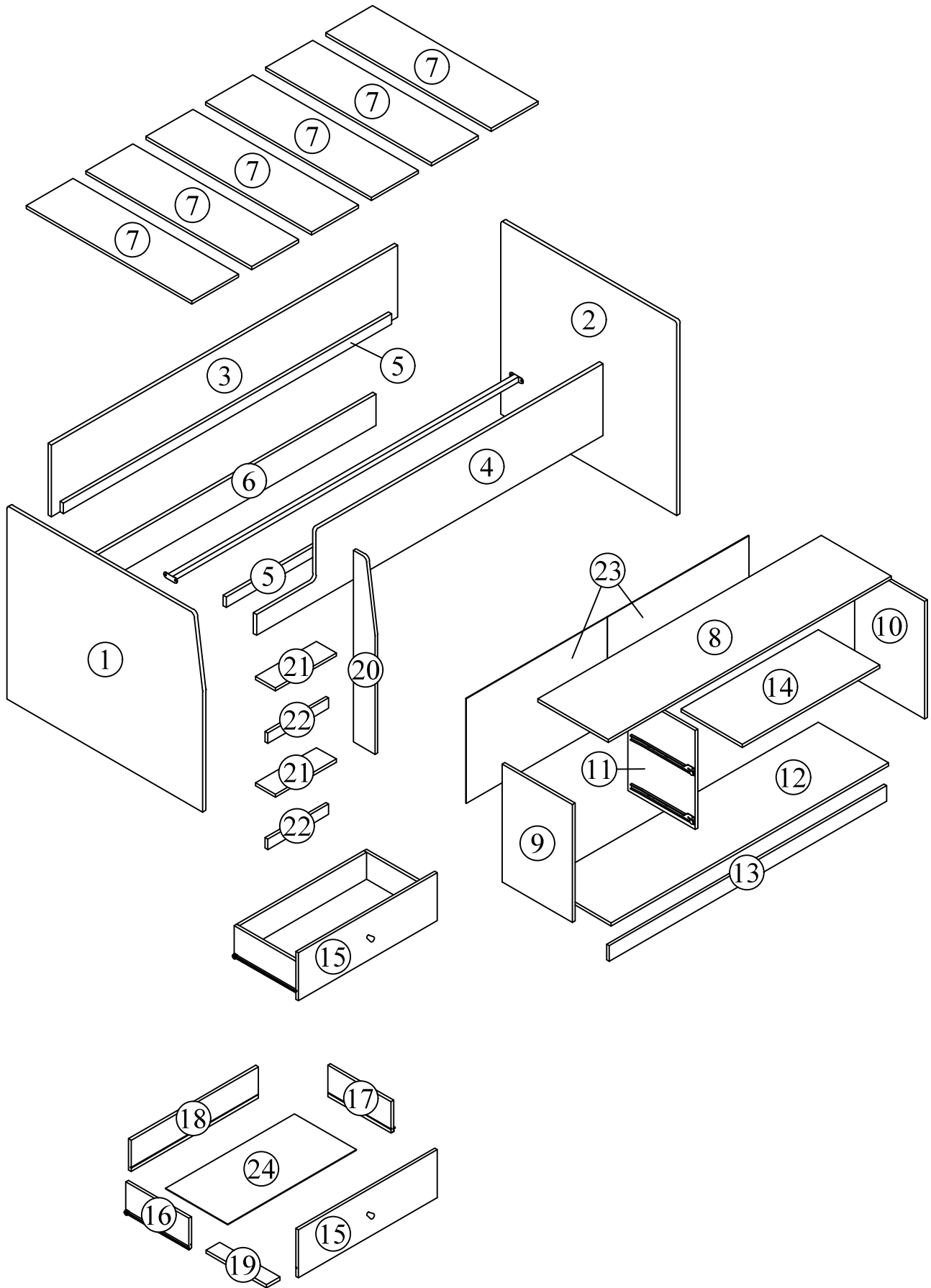
DO NOT place the item onto wet or damp flooring as staining may occur to the floor.

INFORMATION:

Maximum thickness of mattress 15cm. Please refer to making headboard.

Recommend size of mattress L192cm x W92cm x H15cm.





PART LIST

Carton 1 of 3:

Part	Description	Qty
7	Base Panel	2
8	Cabinet Top Panel	1
9	Cabinet Left Panel	1
10	Cabinet Right Panel	1
11	Cabinet Center Panel	1
12	Cabinet Bottom Panel	1
13	Cabinet Plinth Panel	1
14	Cabinet Movable Panel	1
15	Drawer Front Panel	2
16	Drawer Left Panel	2
17	Drawer Right Panel	2
18	Drawer Back Panel	2
19	Drawer Support Panel	2
21	Ladder Step Panel	2
Hardware List		

Carton 2 of 3:

Part	Description	Qty
3	Back Panel	1
4	Front Panel	1
5	Support Panel	2
6	Bottom Back Panel	1

Carton 3 of 3:












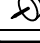
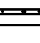

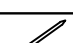

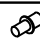



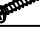

Part	Description	Qty
1	Left Panel	1
2	Right Panel	1
7	Base Panel	4
20	Ladder Right Panel	1
22	Ladder Bottom Support Panel	2
23	Cabinet Back Panel	2
24	Drawer Bottom Panel	2

** You will need a screwdriver and a small mallet (NOT provided)


HARDWARE LIST

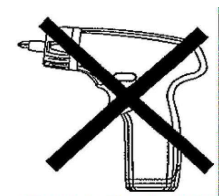
Vendor: S000398

Carton 1 of 3:






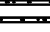

Part	Description	Qty
A	CAM NUT 15mm 	30
B	CAM BOLT 	30
C	WOOD DOWEL M6 x 25mm 	45
D	STEEL NUT M6 	13
E	CSK SCREW M3.5 x 12mm 	36
F	CSK SCREW M4 x 30mm 	14
G	CSK SCREW M4 x 38mm 	10
H	JCN M6 	10
I	JCBC SCREW M6 x 12mm 	4
J	JCBC SCREW M6 x 25mm 	3
K	JCBC SCREW M6 x 30mm 	7
L	JCBC SCREW M6 x 50mm 	13
M	PVC NAIL 5/8" 	15
N	METAL RUNNER TRUCK 14" 	2 set
O	METAL RUNNER 14" 	2 set
Q	NAIL 	18
R	PVC L BRACKET 	3
S	METAL SHELF SUPPORT 	4
T	KNOB HANDLE 2613 	2
U	STICKER 20mm 	18
V	ALLEN KEY 	2
W	CSK SCREW M4 x 45mm 	2

Carton 2 of 3:

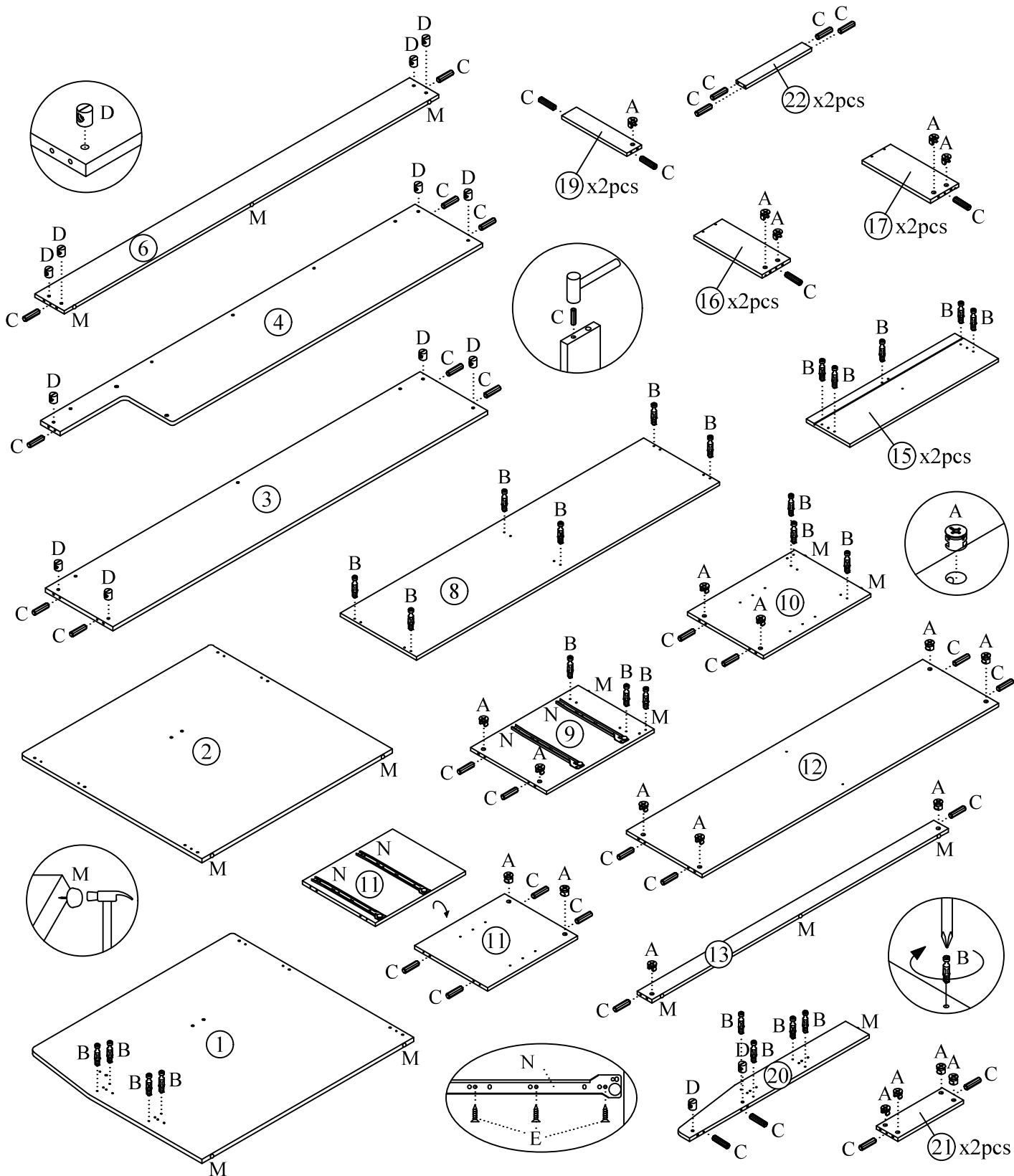
Part	Description	Qty
P	METAL SUPPORT 1920mm 	1





**** WARNING: THE USE OF POWER TOOLS TO ASSEMBLE THIS PRODUCT WILL INVALIDATE ANY CLAIM AND MAY DAMAGE THIS PRODUCT MAKING IT UNSAFE.**

1	A		30
	B		30
	C		45
	D		13
	E		12
	M		15
	N		2

Insert hardware part (A) and part (B) using a screwdriver (not provided). Insert hardware part (C) using a small mallet (not provided). Insert hardware part (D) using a screwdriver (not provided). Insert hardware part (M) using a small mallet (not provided). Attach hardware part (N) with screw (E) using screwdriver (not provided). DO NOT use any power tools as this may damage the frame and will invalidate any claim.

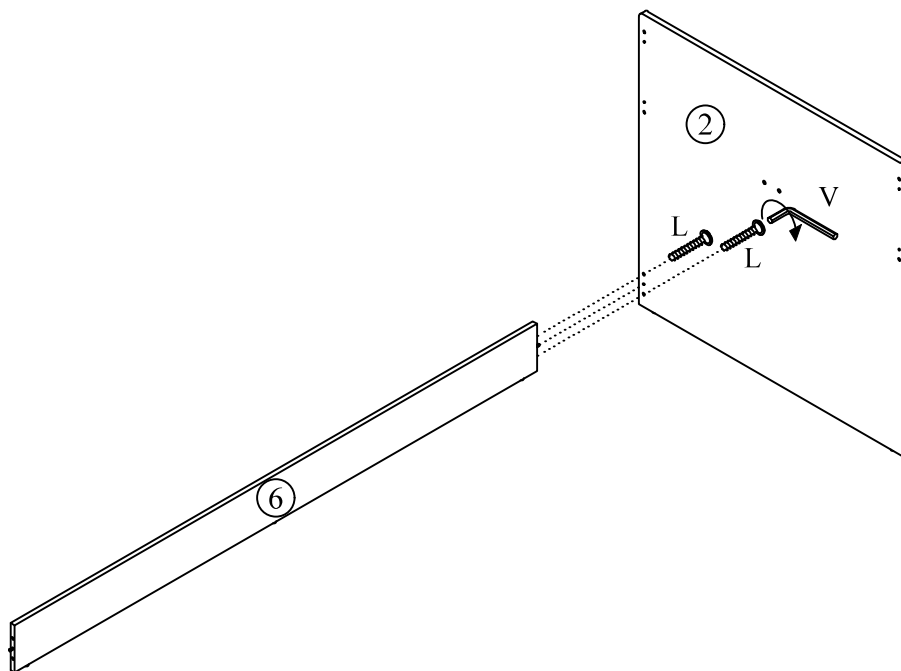


2



L		2
V		1

Attach the bottom back panel (6) to the right panel (2) with screw (L) by using allen key (V) and tighten clockwise.

DO NOT use any power tools as this may damage the frame and will invalidate any claim.

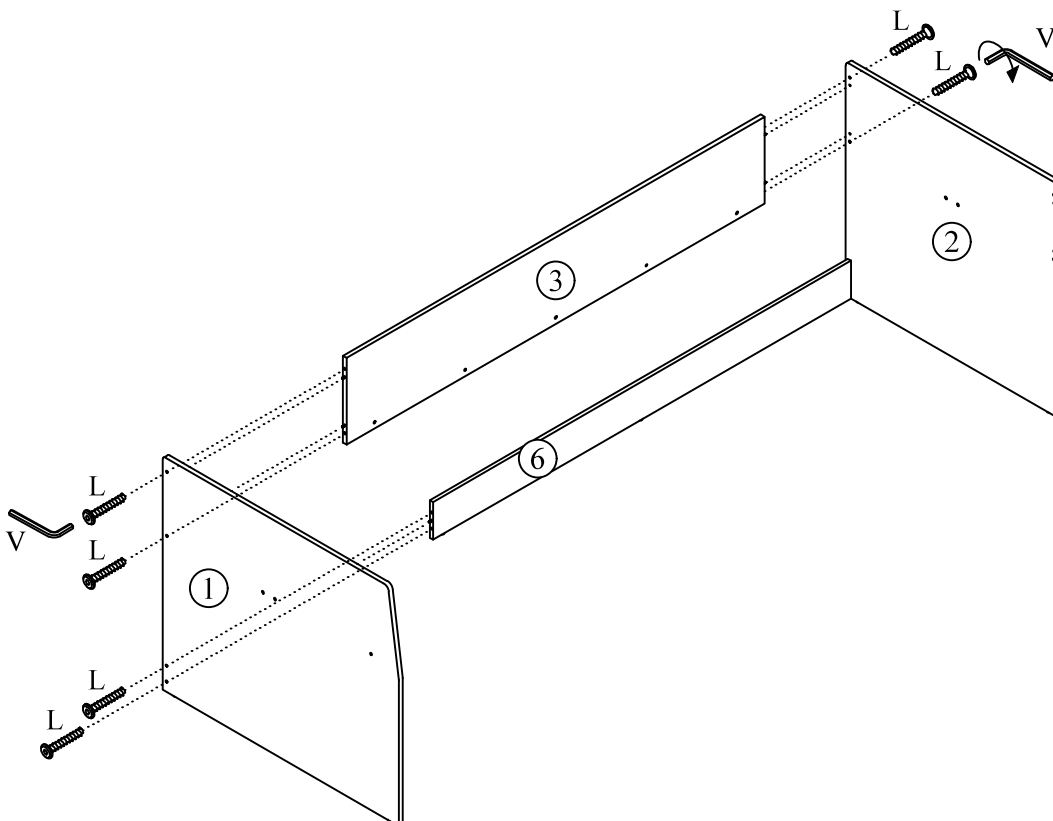


3

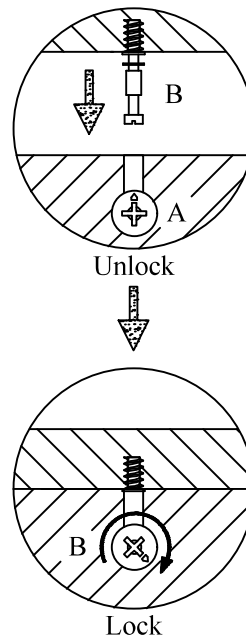
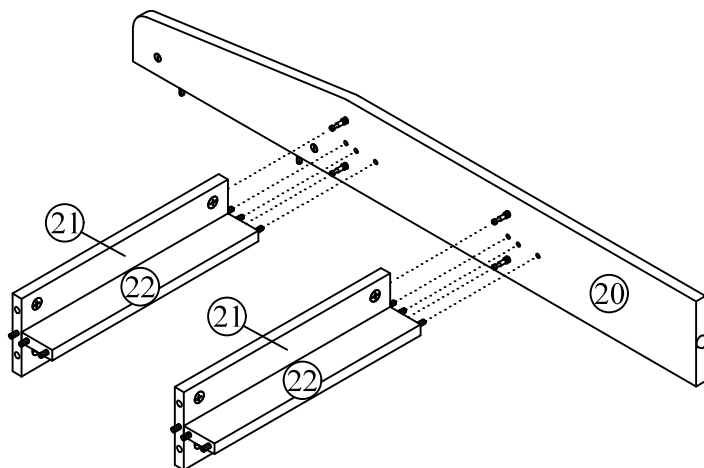
L		6
V		1

Attach the back panel (3) and bottom back panel (6) to the left panel (1) and right panel (2) with screw (L) by using allen key (V) and tighten clockwise.

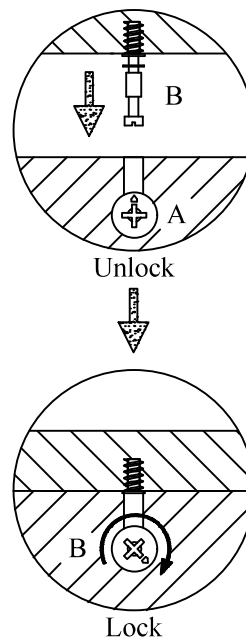
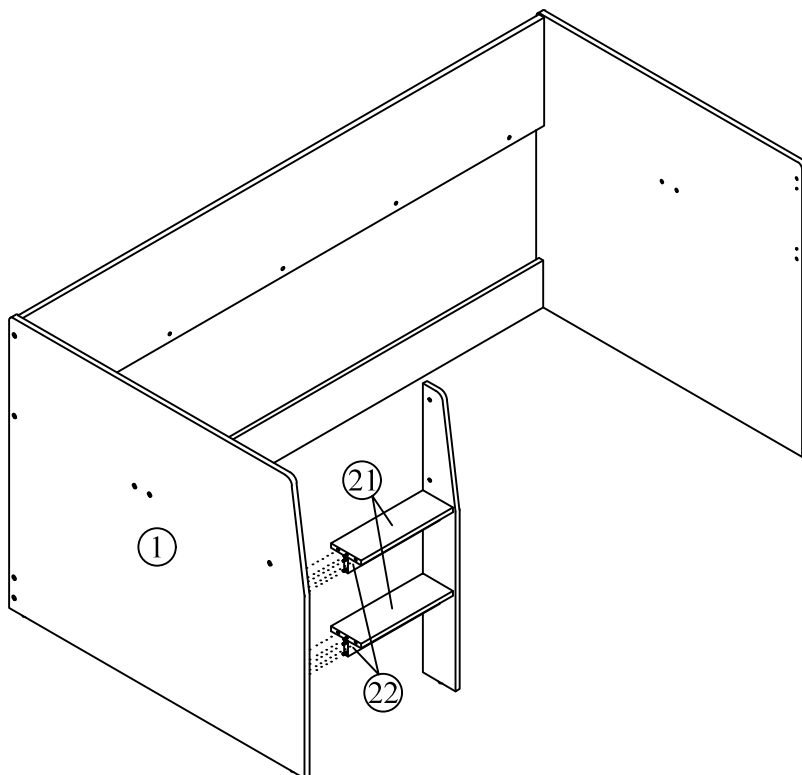
DO NOT use any power tools as this may damage the frame and will invalidate any claim.




- 4** Fix the ladder step panel (21) and ladder bottom support panel (22) to the ladder right panel (20) by using a screwdriver (not provided).
DO NOT use any power tools as this may damage the frame and will invalidate any claim.



- 5** Fix the ladder step panel (21) and ladder bottom support panel (22) to the left panel (1) by using a screwdriver (not provided).
DO NOT use any power tools as this may damage the frame and will invalidate any claim.

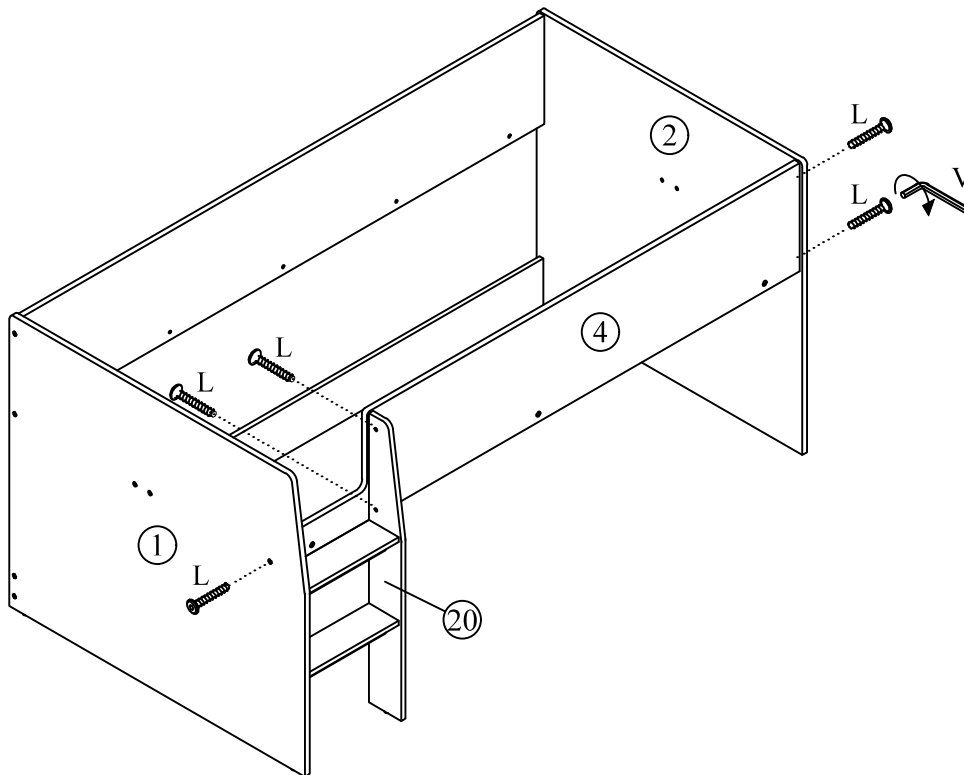


6


L		5
V		1

Attach the front panel (4) to the left panel (1) and right panel (2) and ladder right panel (20) with screw (L) by using allen key (V) and tighten clockwise.

DO NOT use any power tools as this may damage the frame and will invalidate any claim.

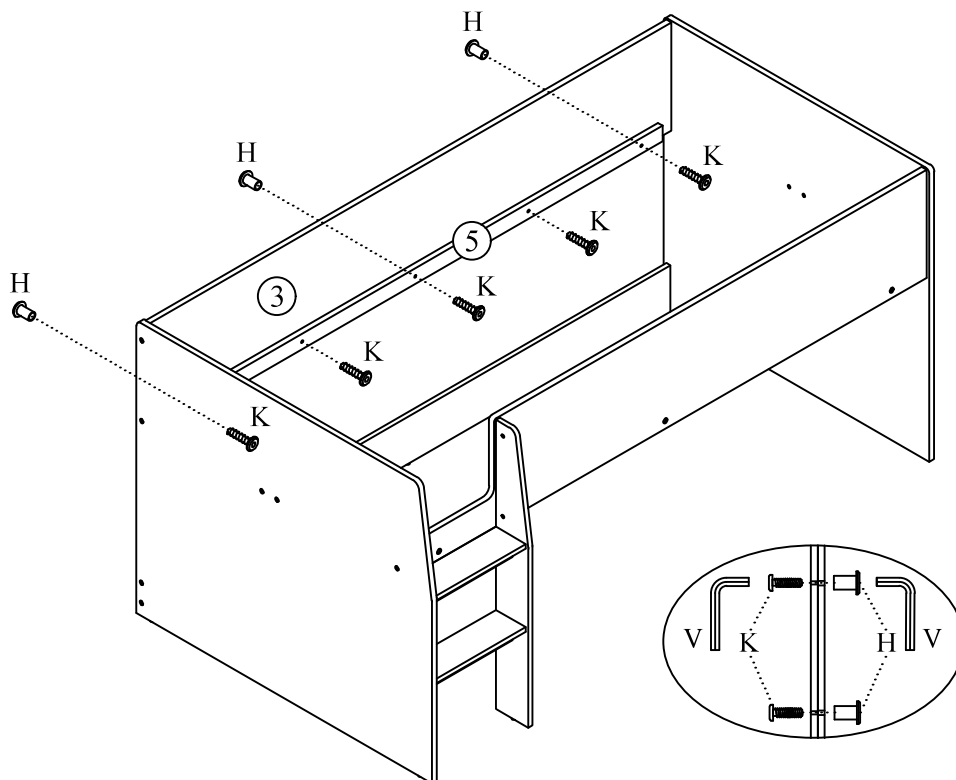


7

H		3
K		5
V		2

Insert hardware part (H) to back panel (3) by using allen key (V). Attach support panel (5) to back panel (3) with screw (K) by using allen key (V) and tighten clockwise.

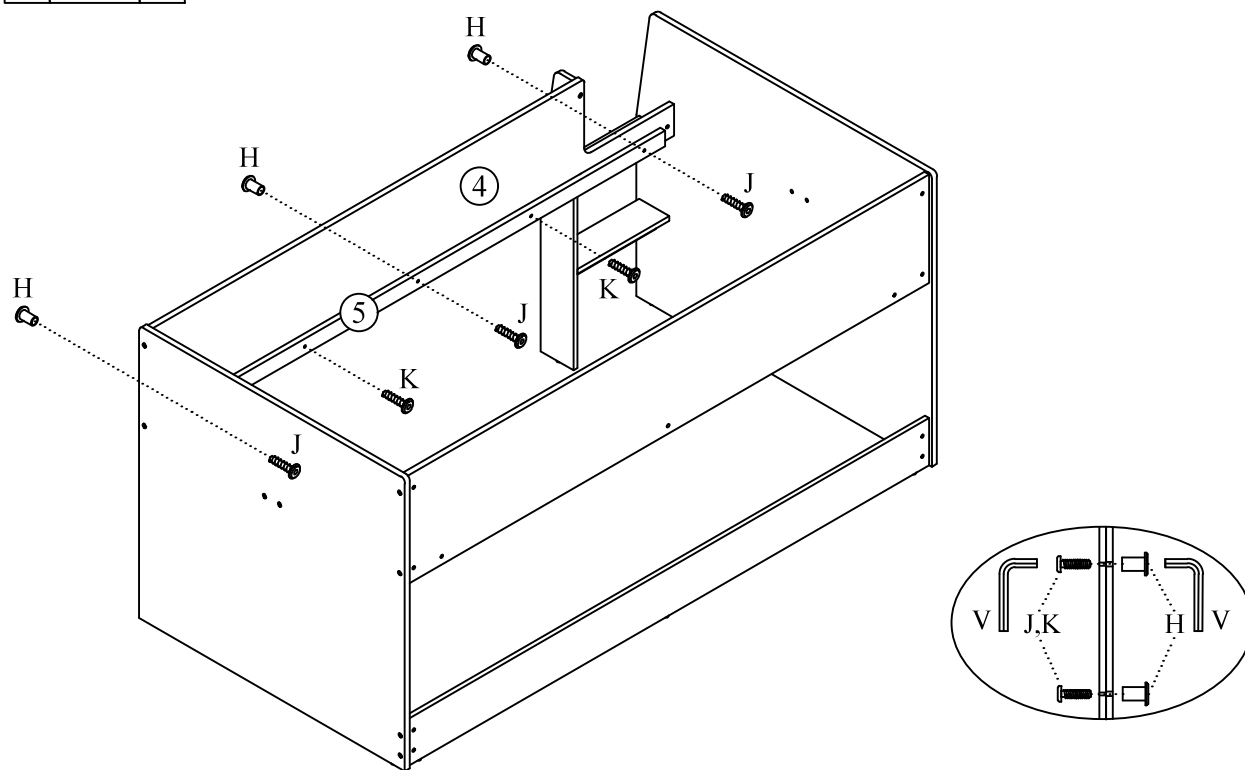
DO NOT use any power tools as this may damage the frame and will invalidate any claim.



8

H		3
J		3
K		2
V		2

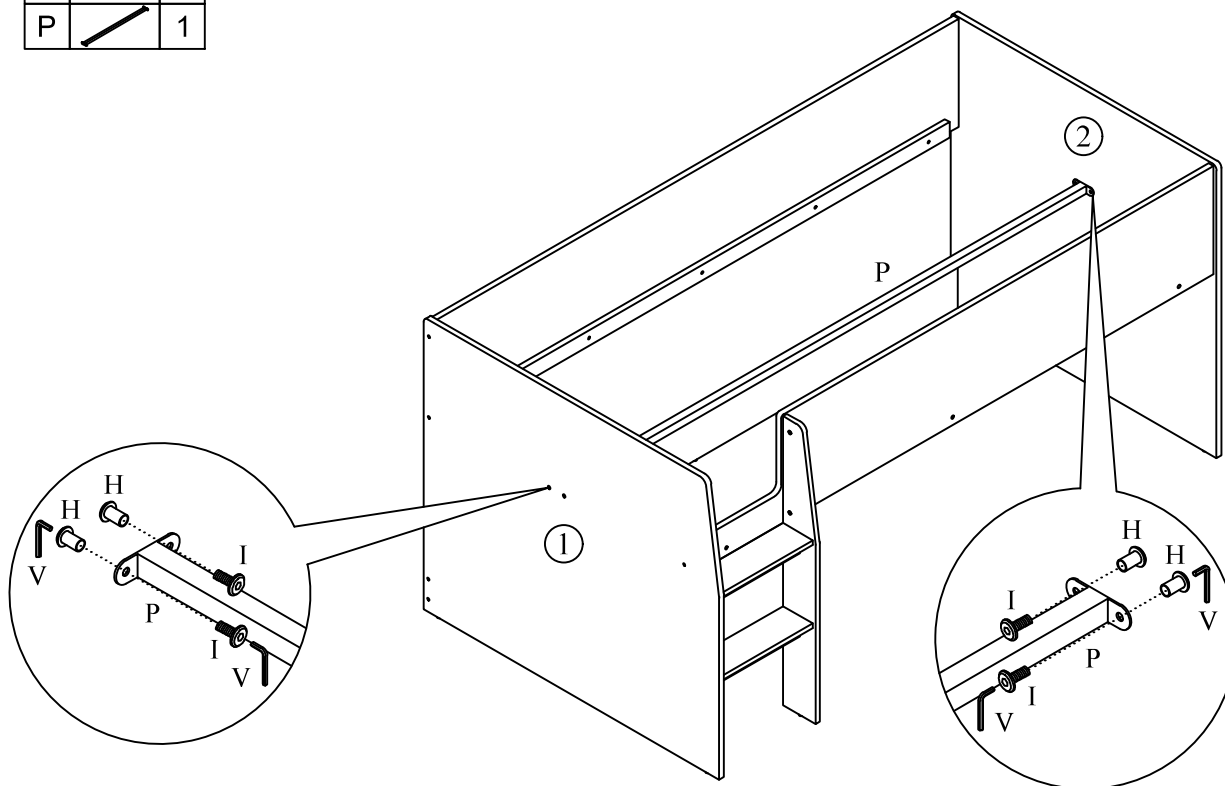
Insert hardware part (H) to front panel (4) by using allen key (V). Attach support panel (5) to front panel (4) with screw (J) and (K) by using allen key (V) and tighten clockwise. DO NOT use any power tools as this may damage the frame and will invalidate any claim.




9

H		4
I		4
V		2
P		1

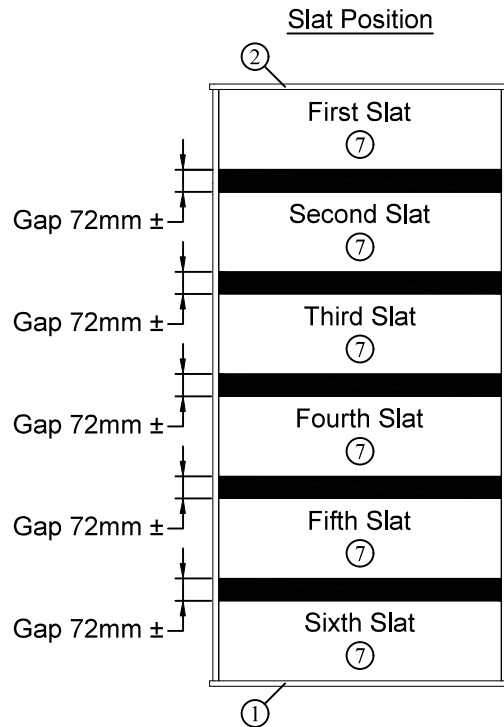
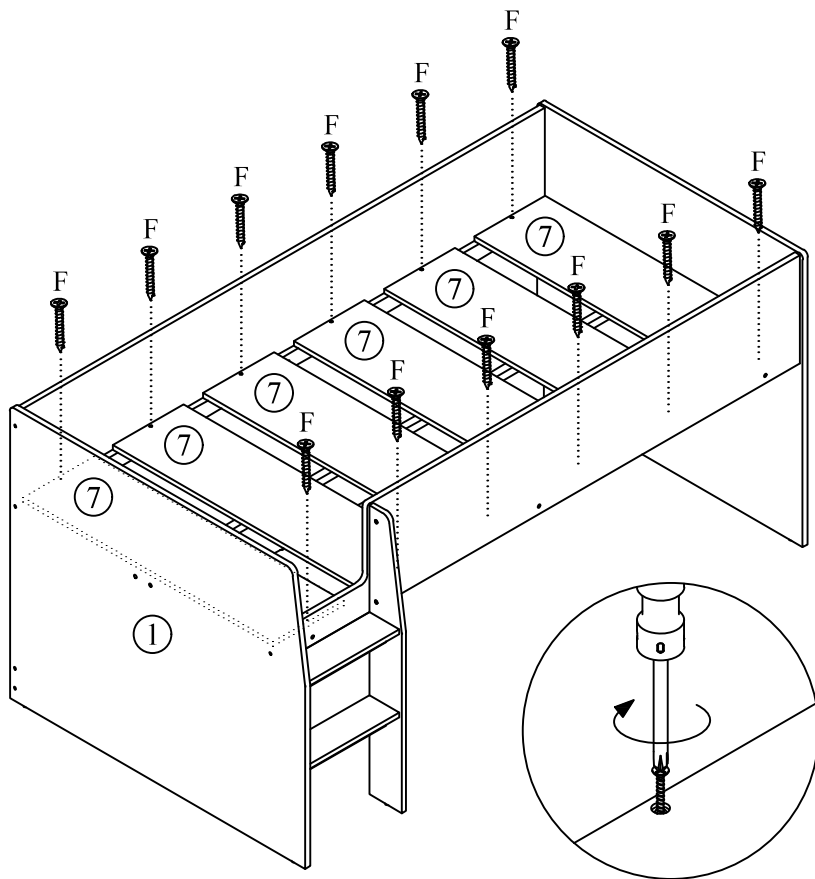
Insert hardware part (H) to left panel (1) and right panel (2) and fix hardware (P) with screw (I) by using allen key (V) and tighten clockwise. DO NOT use any power tools as this may damage the frame and will invalidate any claim.




10

F		12
---	---	----

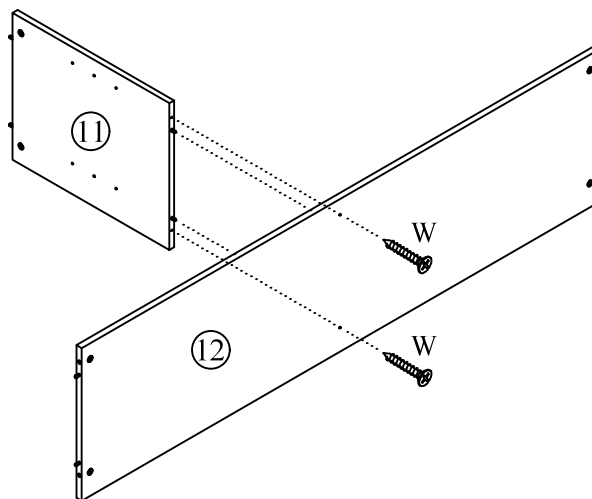
Attach base panel (7) with screw (F) by using a screwdriver (not provided).
DO NOT use any power tools as this may damage the frame and will invalidate any claim.



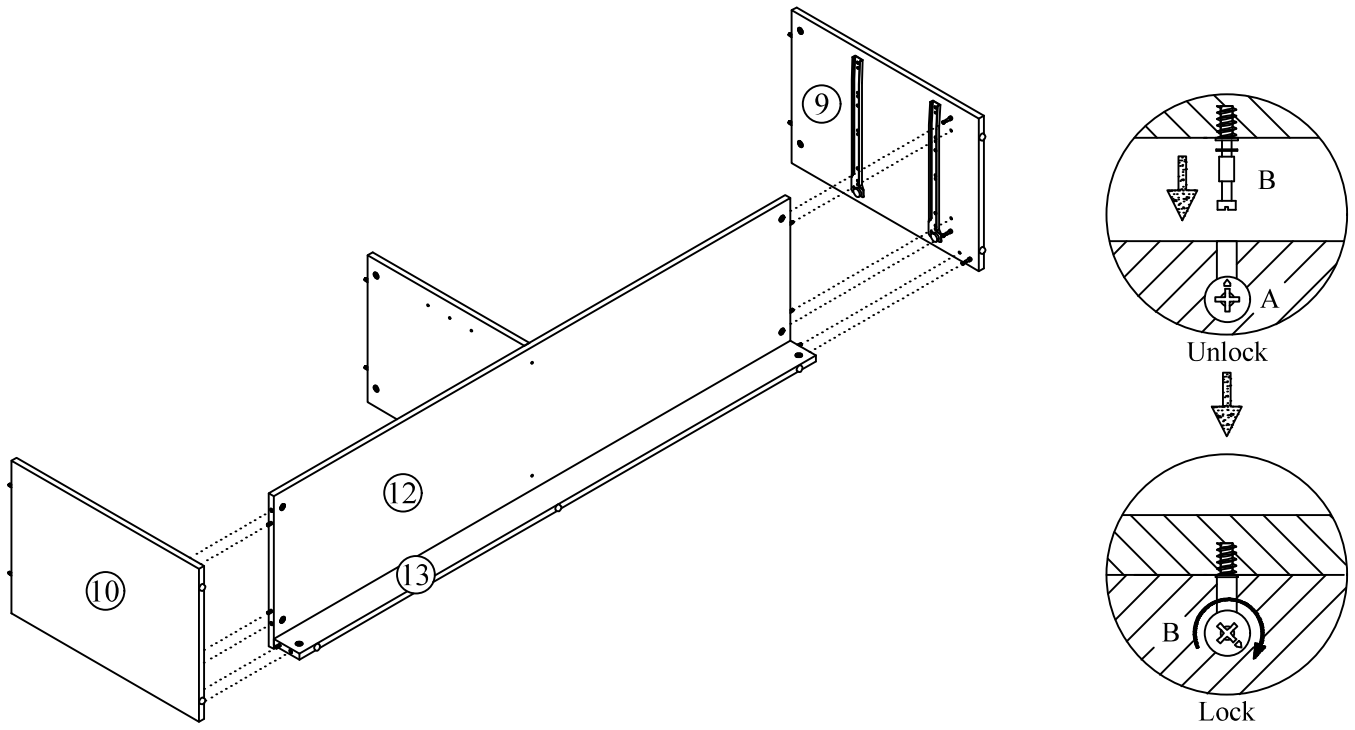
11

W		2
---	---	---

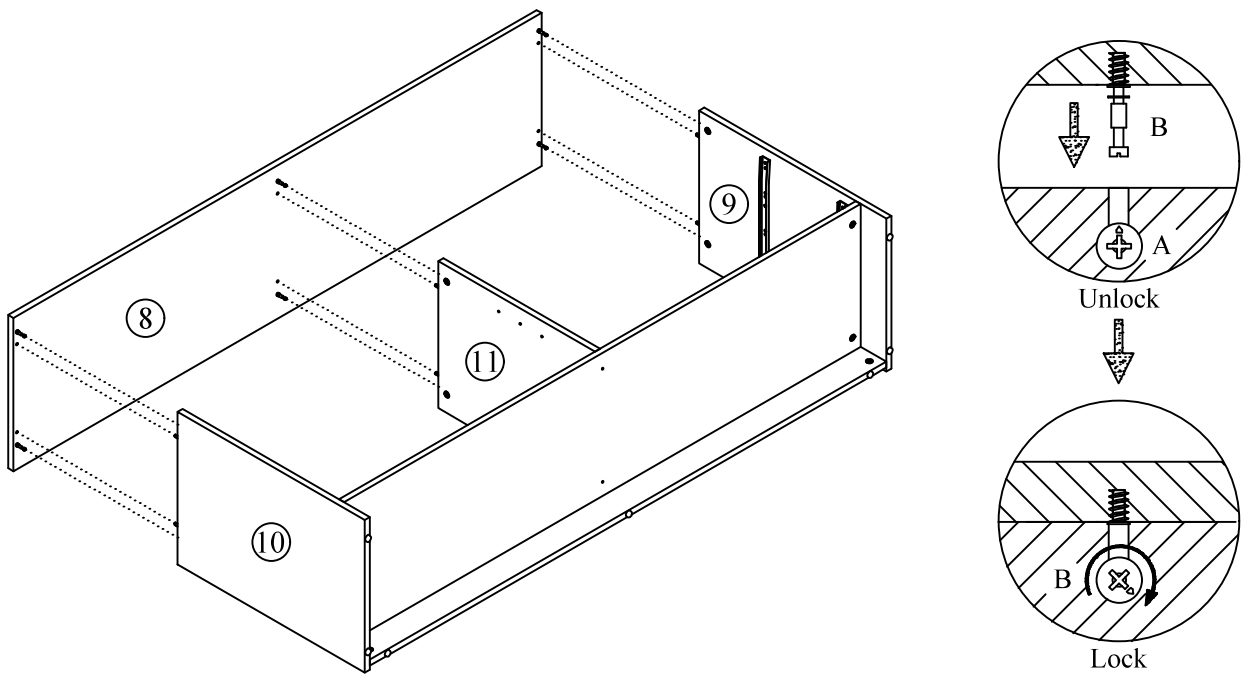
Attach the cabinet center panel (11) to the cabinet bottom panel (12) with screw (W) by screwdriver (not provided).
DO NOT use any power tools as this may damage the frame and will invalidate any claim.



12 Fix the cabinet left panel (9) and cabinet right panel (10) to the cabinet bottom panel (12) and cabinet plinth panel (13) by using a screwdriver (not provided).
DO NOT use any power tools as this may damage the frame and will invalidate any claim.



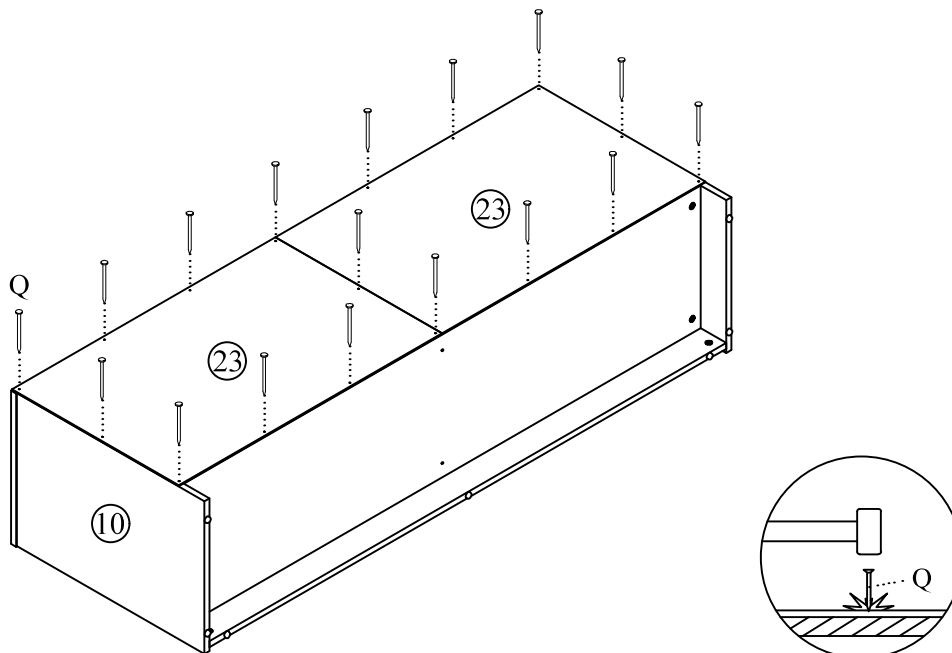
13 Fix the cabinet top panel (8) to the cabinet left panel (9) and cabinet right panel (10) and cabinet center panel (11) by using a screwdriver (not provided).
DO NOT use any power tools as this may damage the frame and will invalidate any claim.



14

Q		18
---	--	----

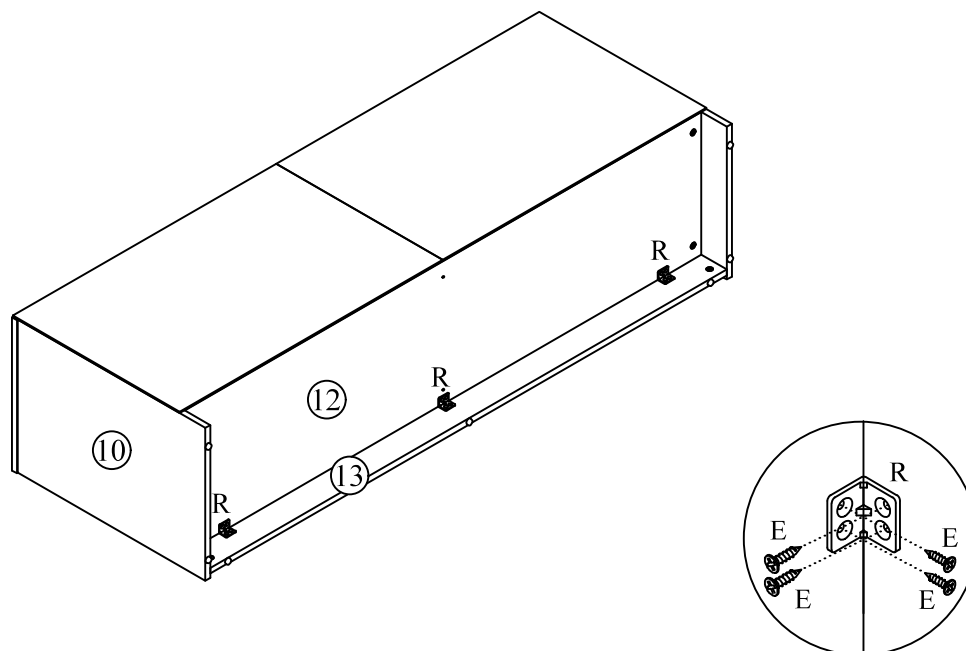
Attach cabinet back panel (23) with nail (Q) by using small mallet (not provided).
DO NOT use any power tools as this may damage the frame and will invalidate any claim.



15

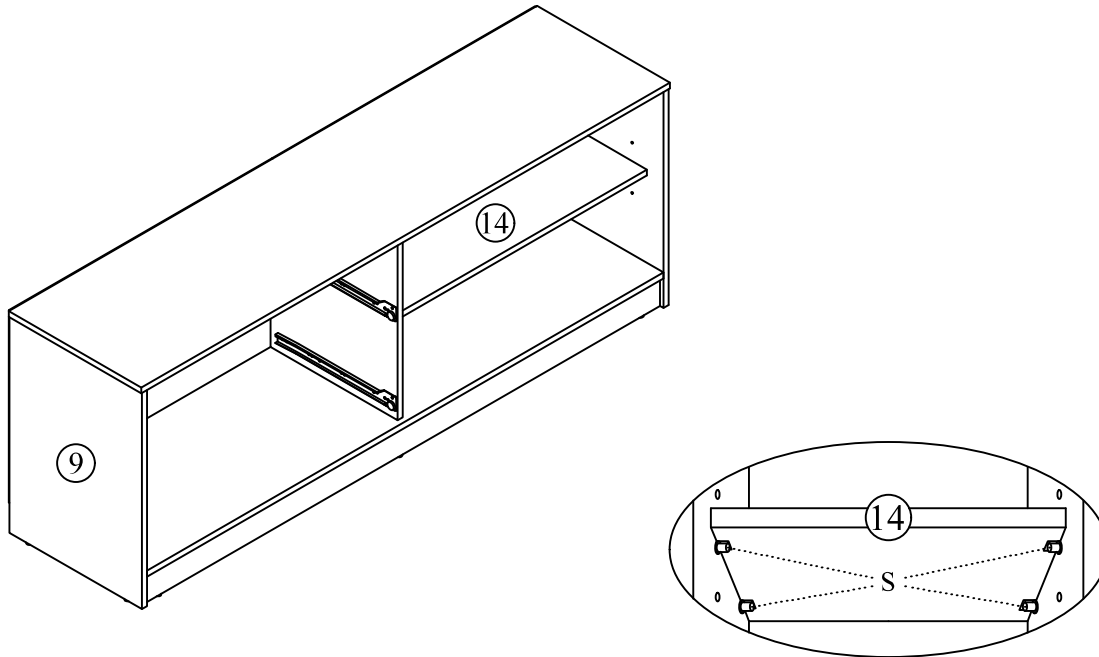
E		12
R		3

Fix hardware (R) with screw (E) by using screwdriver (not provided).
DO NOT use any power tools as this may damage the frame and will invalidate any claim.

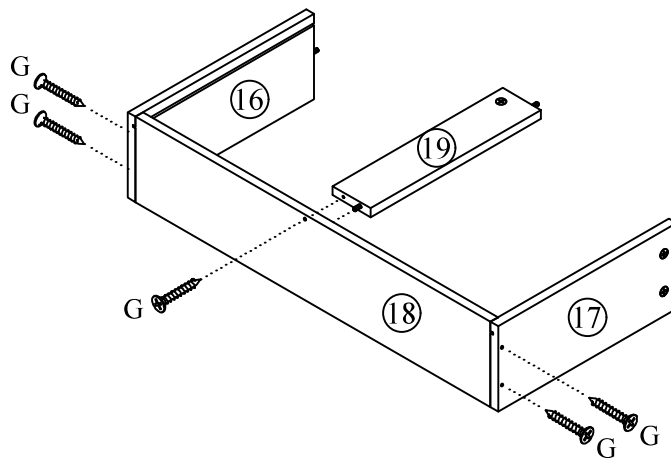


16

Fix hardware (S) and insert cabinet movable panel (14) as shown.

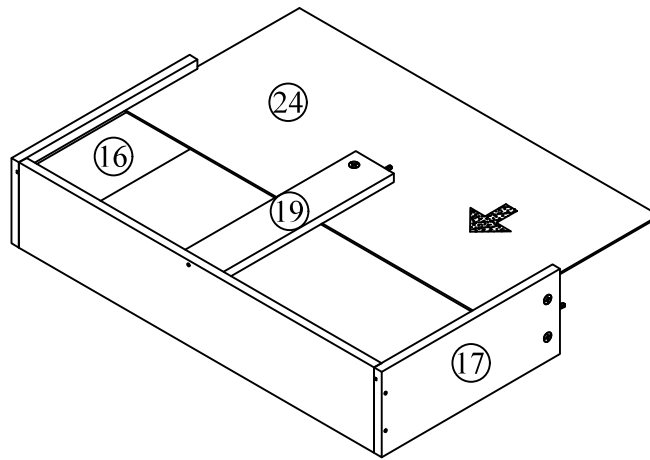
**17**

Fix drawer left and right panels (16) and (17) to drawer back panel (18) with screw (G) by screwdriver (not provided). Fix drawer support panel (19) to drawer back panel (18) with screw (G) by screwdriver (not provided).

DO NOT use any power tools as this may damage the frame and will invalidate any claim.


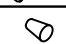
x 2sets

18 Insert drawer bottom panel (24) as shown.

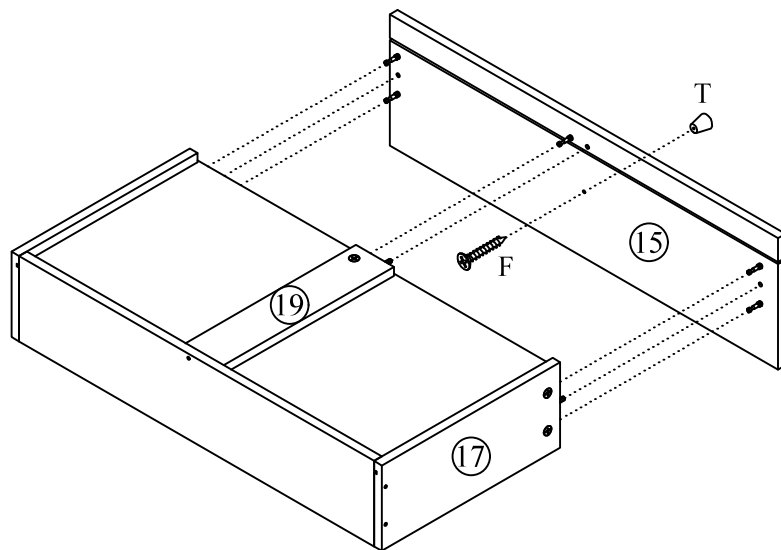
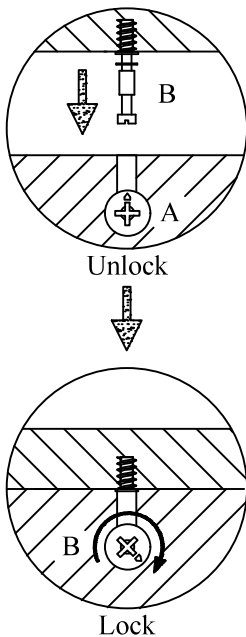


x 2sets

19



F		2
T		2

Fix drawer front panel (15) by screwdriver (not provided). Attach hardware part (T) with screw (F) using screwdriver (not provided). **DO NOT** use any power tools as this may damage the frame and will invalidate any claim.

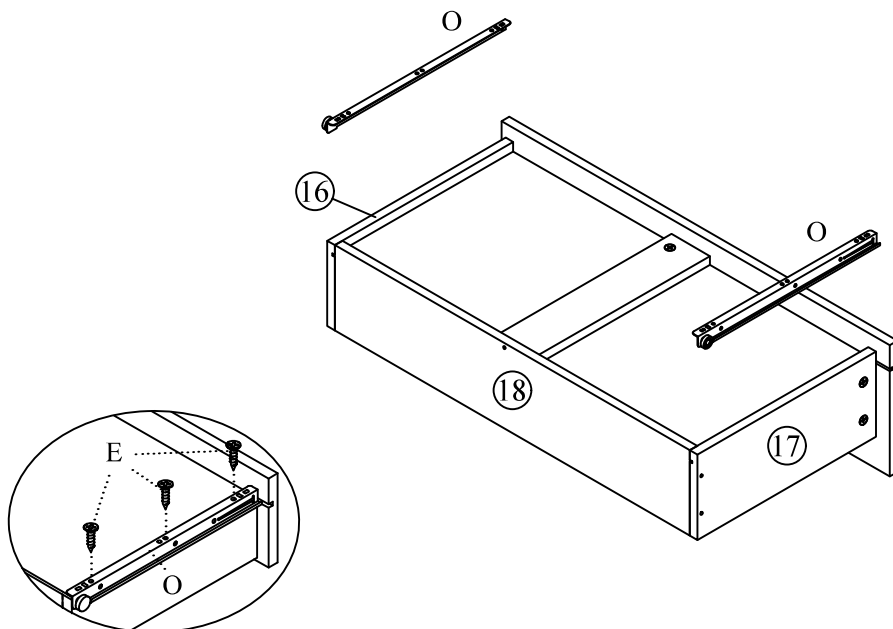


x 2sets

20

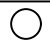
E		12
O		2

Fix hardware (O) onto the drawer left panel and drawer right panel (16) and (17) using screw (E) by screwdriver (not provided).
DO NOT use any power tools as this may damage the frame and will invalidate any claim.



x 2sets

21

U		18
---	---	----

Cover screw hole with sticker (U) as shown.

