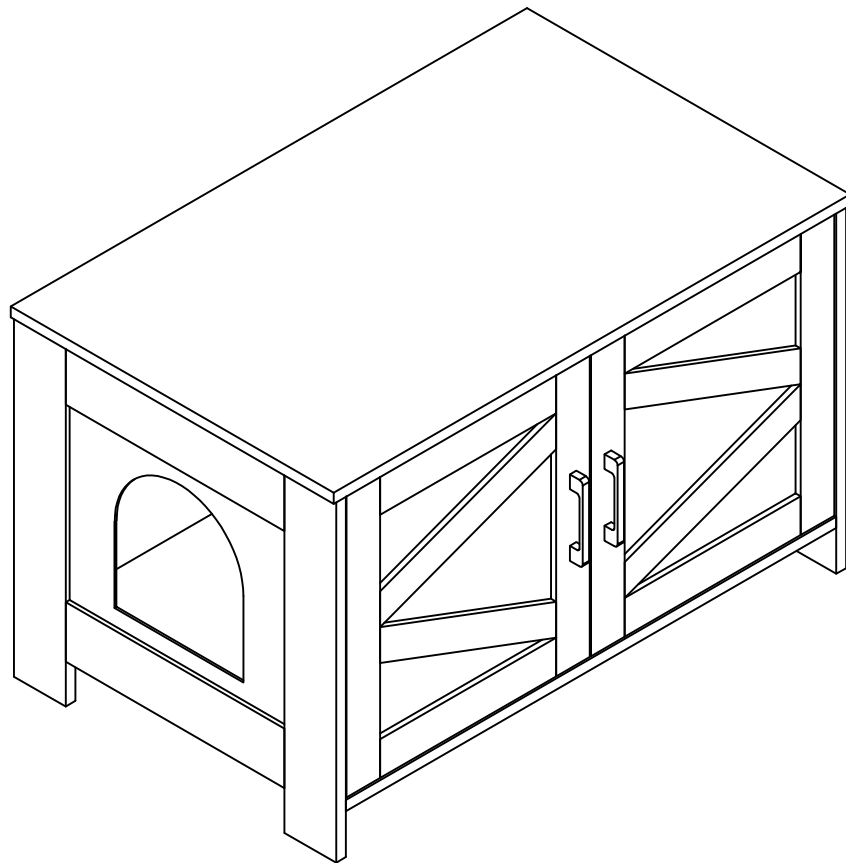


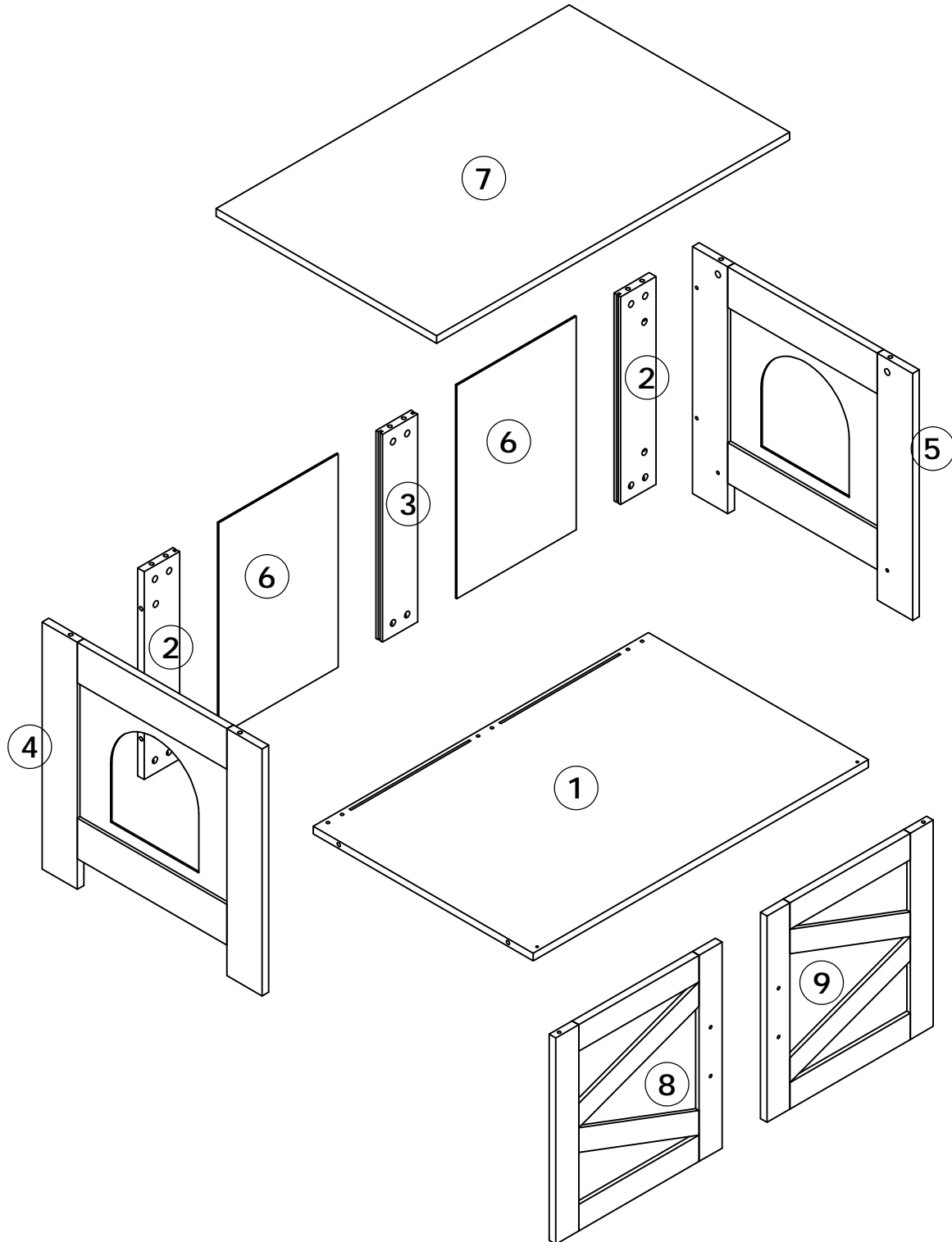
Installation

Product Manual



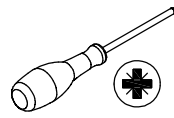
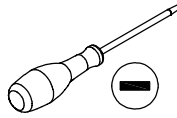
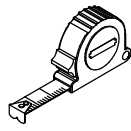
Part List

The same number represents the same size board.

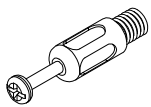


Hardware List

Suggest using the following tools.

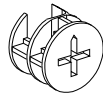


A x 24



M6*35mm

B x 24



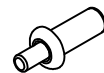
Ø12*10mm

C x 8



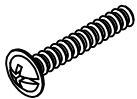
Ø3*12mm

D x 4



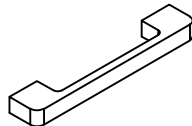
Ø6mm

E x 4

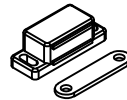


M4*18mm

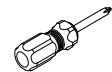
F x 2



G x 4



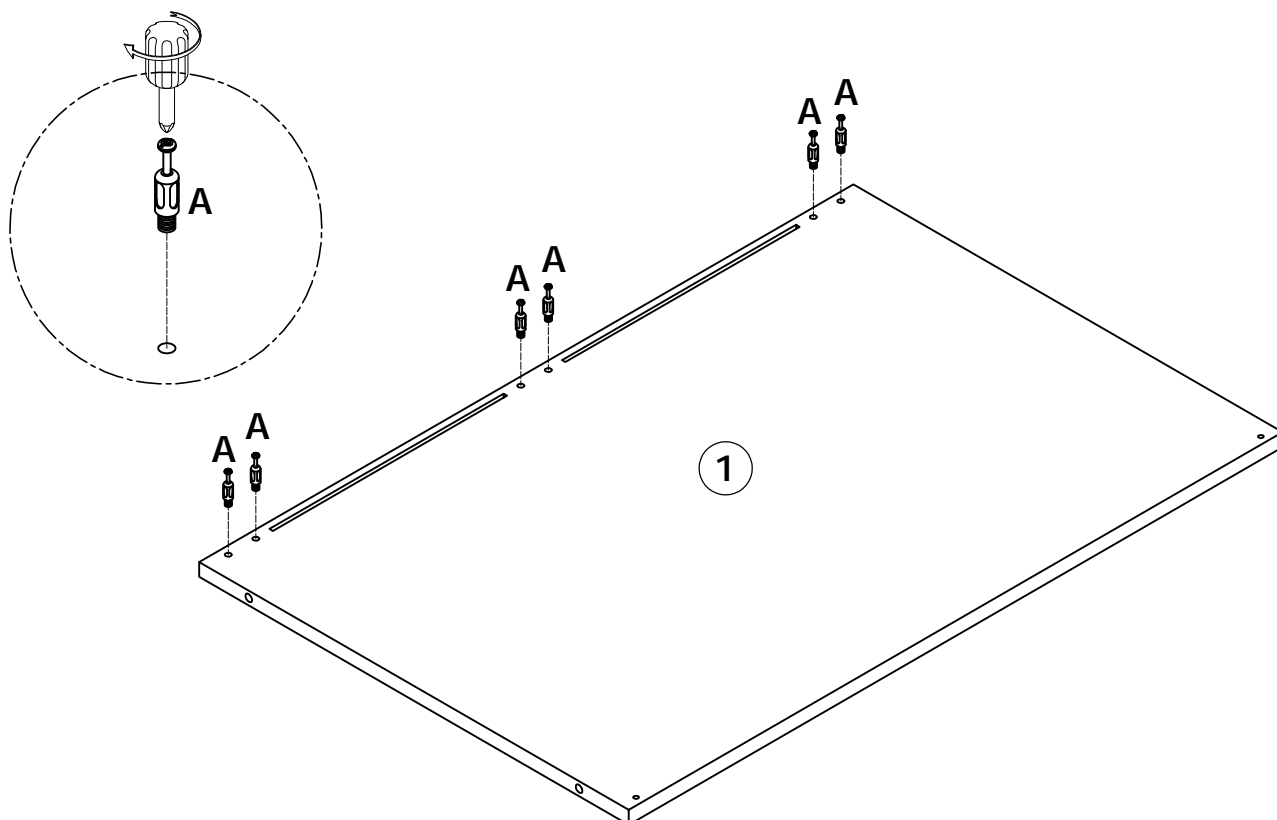
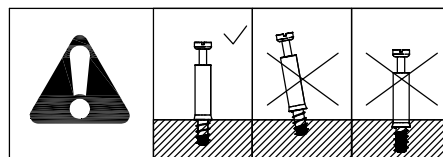
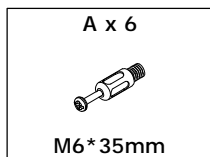
H x 1



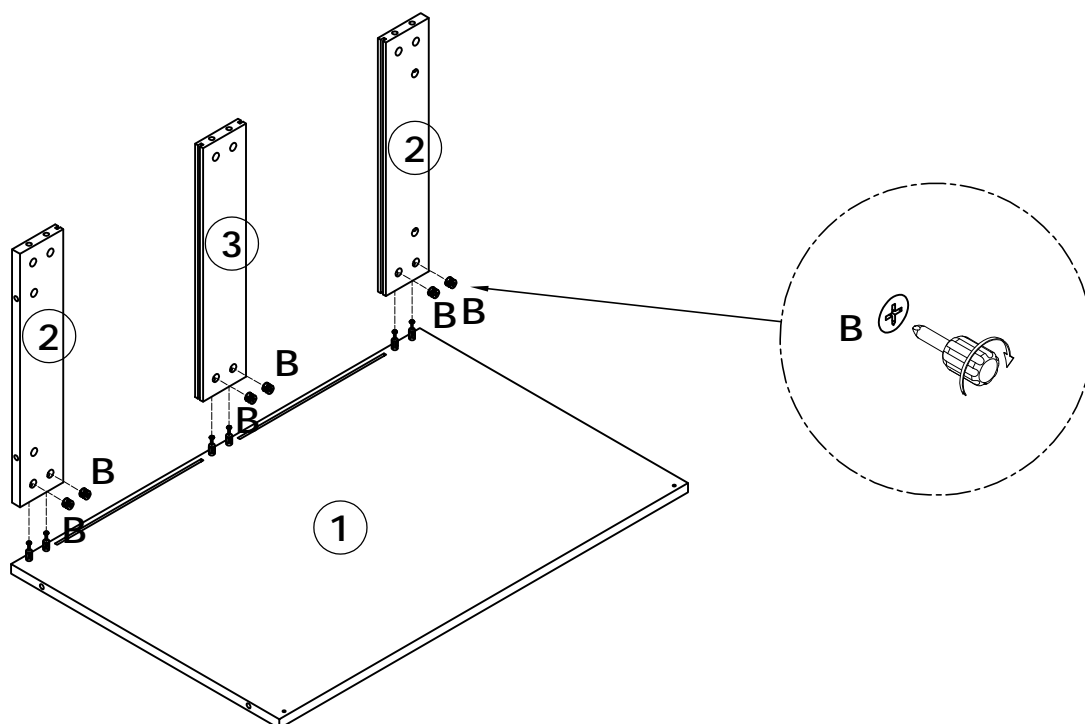
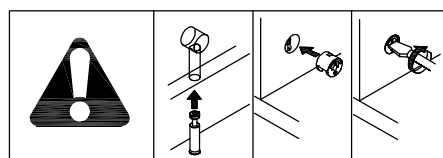
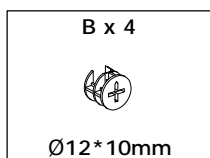
I x 24




1

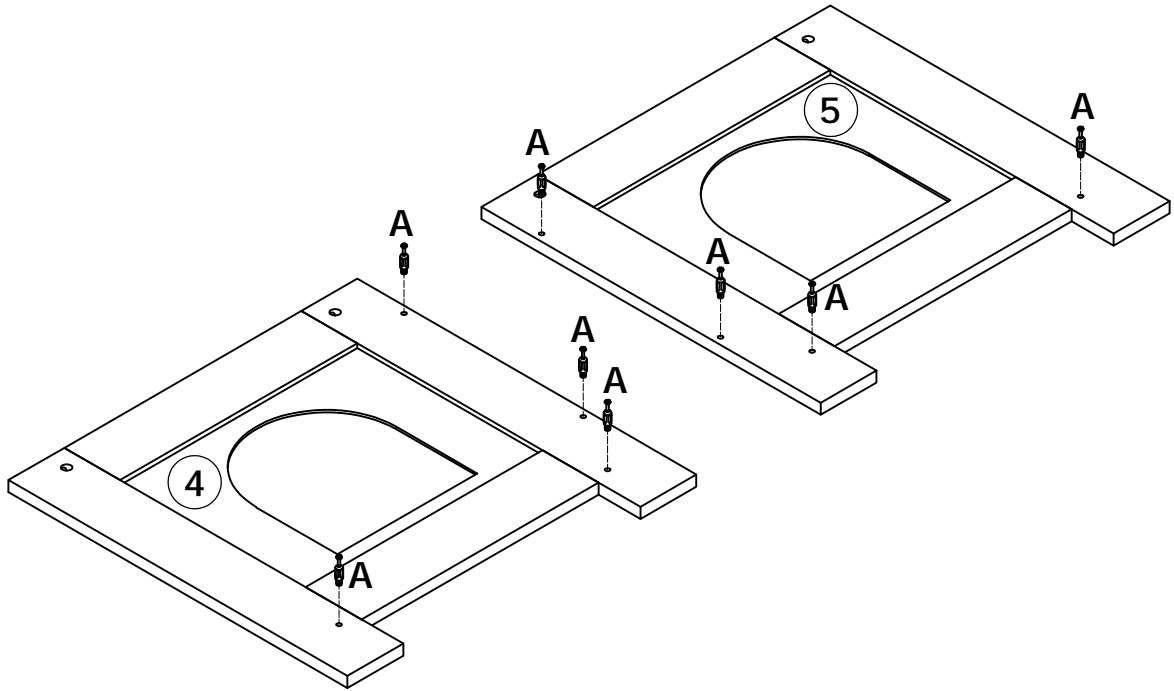
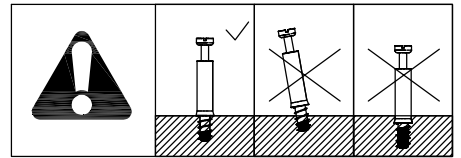


2




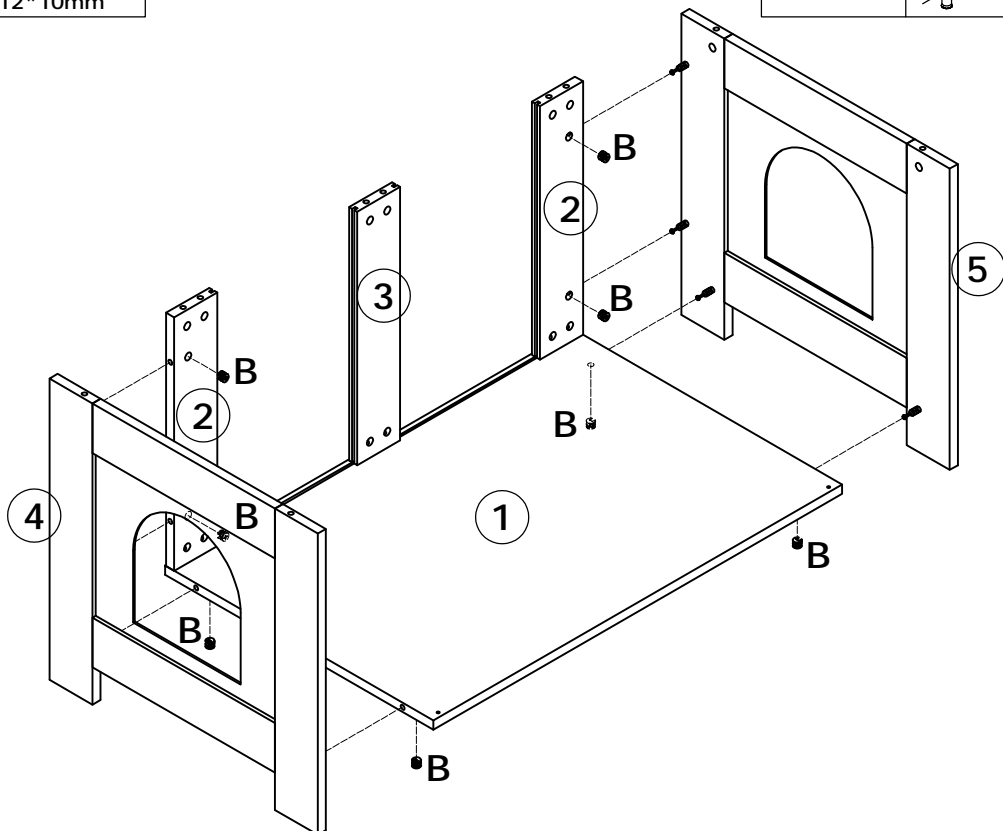
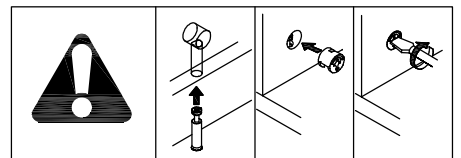
3

A x 8

M6*35mm

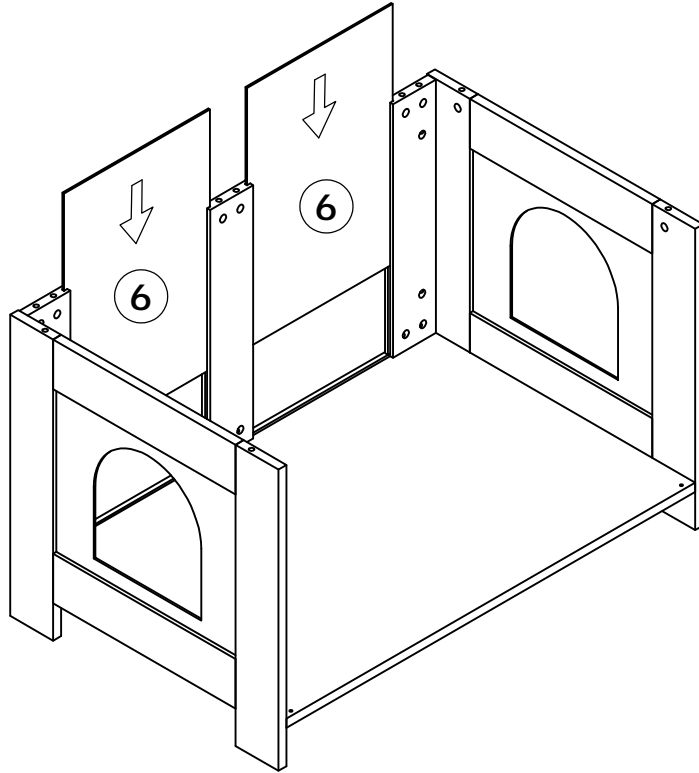


4

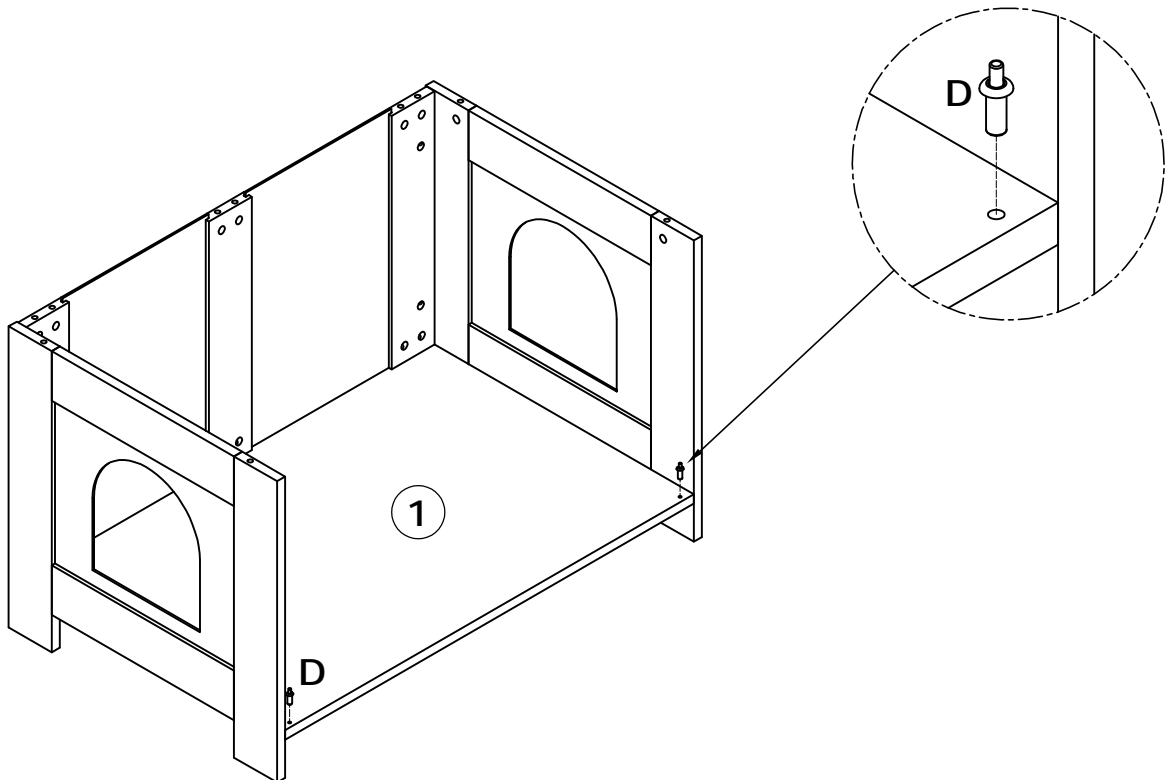
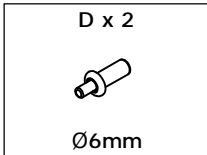
B x 8

Ø12*10mm








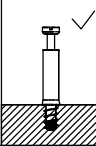
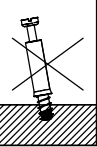
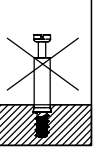
5

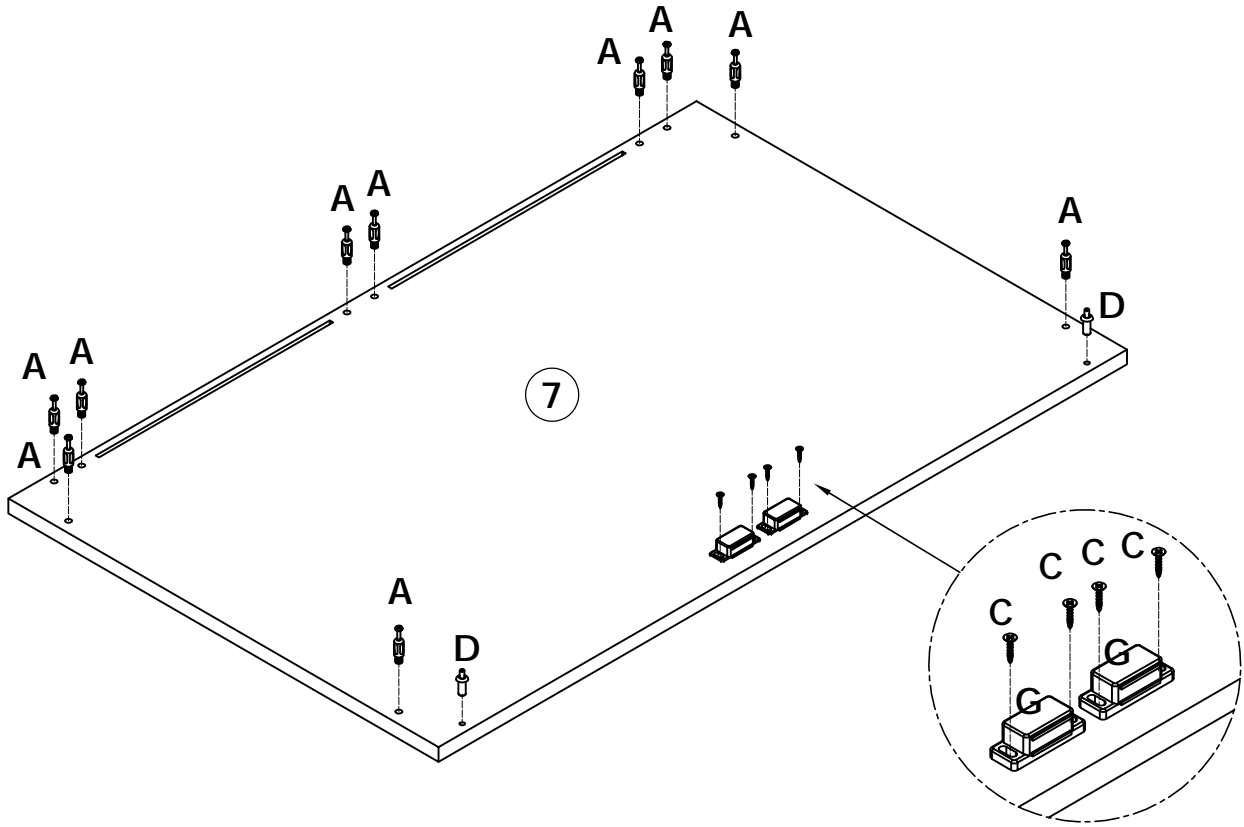


6




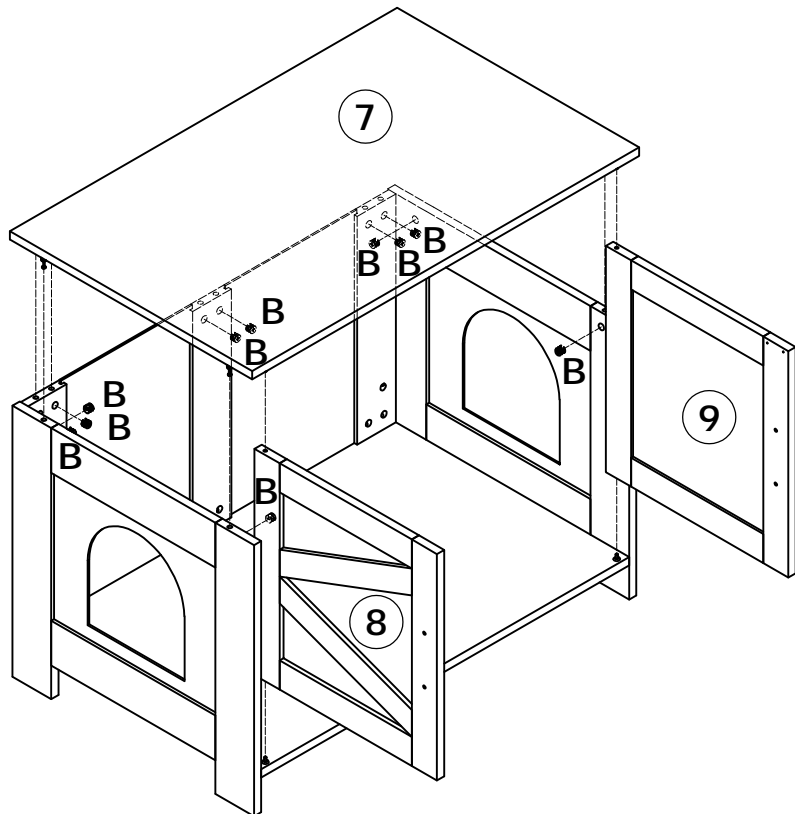
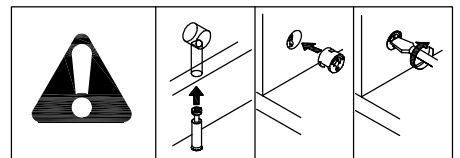
7

A x 10  M6*35mm	C x 4  Ø3.5*12mm	D x 2  Ø6mm	G x 2 				
---------------------------------------------------------------------------------------------------------------	----------------------------------------------------------------------------------------------------------------	-----------------------------------------------------------------------------------------------------------	----------------------------------------------------------------------------------------------------	-------------------------------------------------------------------------------------	------------------------------------------------------------------------------------	------------------------------------------------------------------------------------	------------------------------------------------------------------------------------



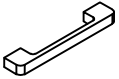



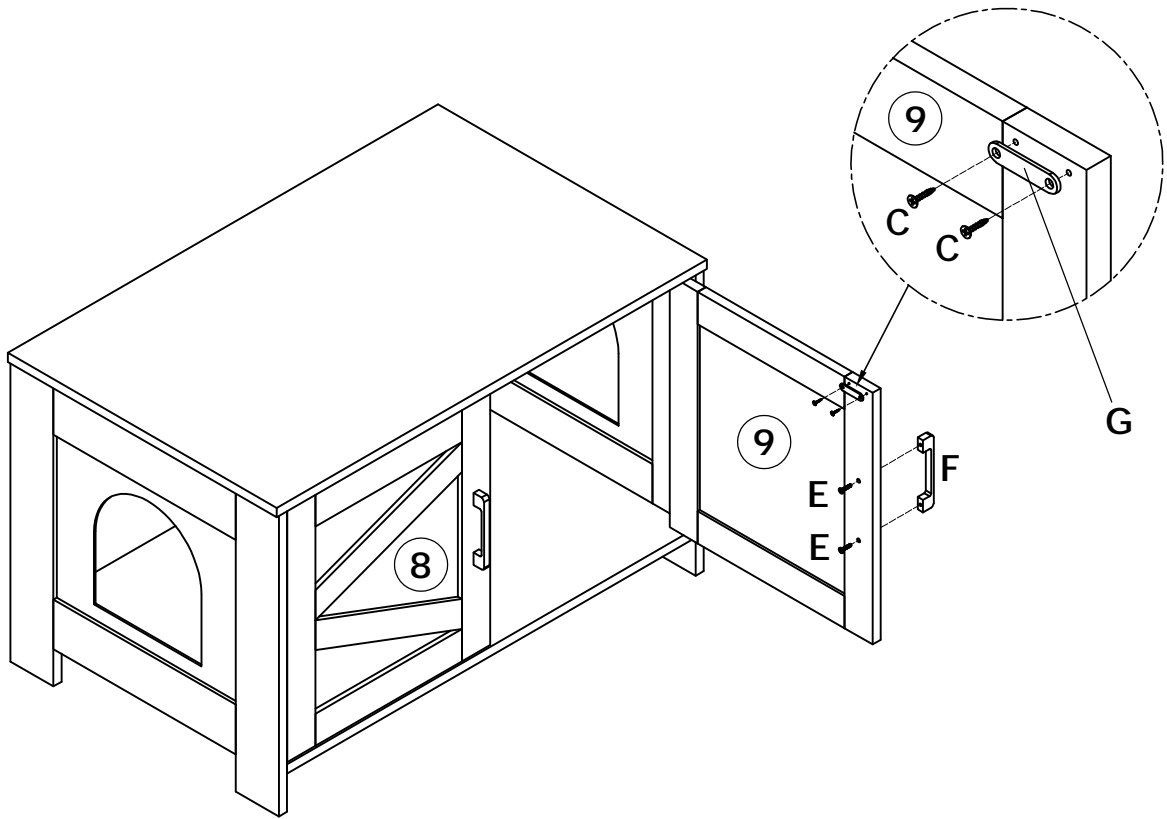
8

B x 10  Ø12*10mm



9

C x 4  Ø3.5*12mm	E x 4  M4*18mm	F x 2 	G x 2 
---------------------------------------------------------------------------------------------------------	-------------------------------------------------------------------------------------------------------	--------------------------------------------------------------------------------------------	---------------------------------------------------------------------------------------------



10

