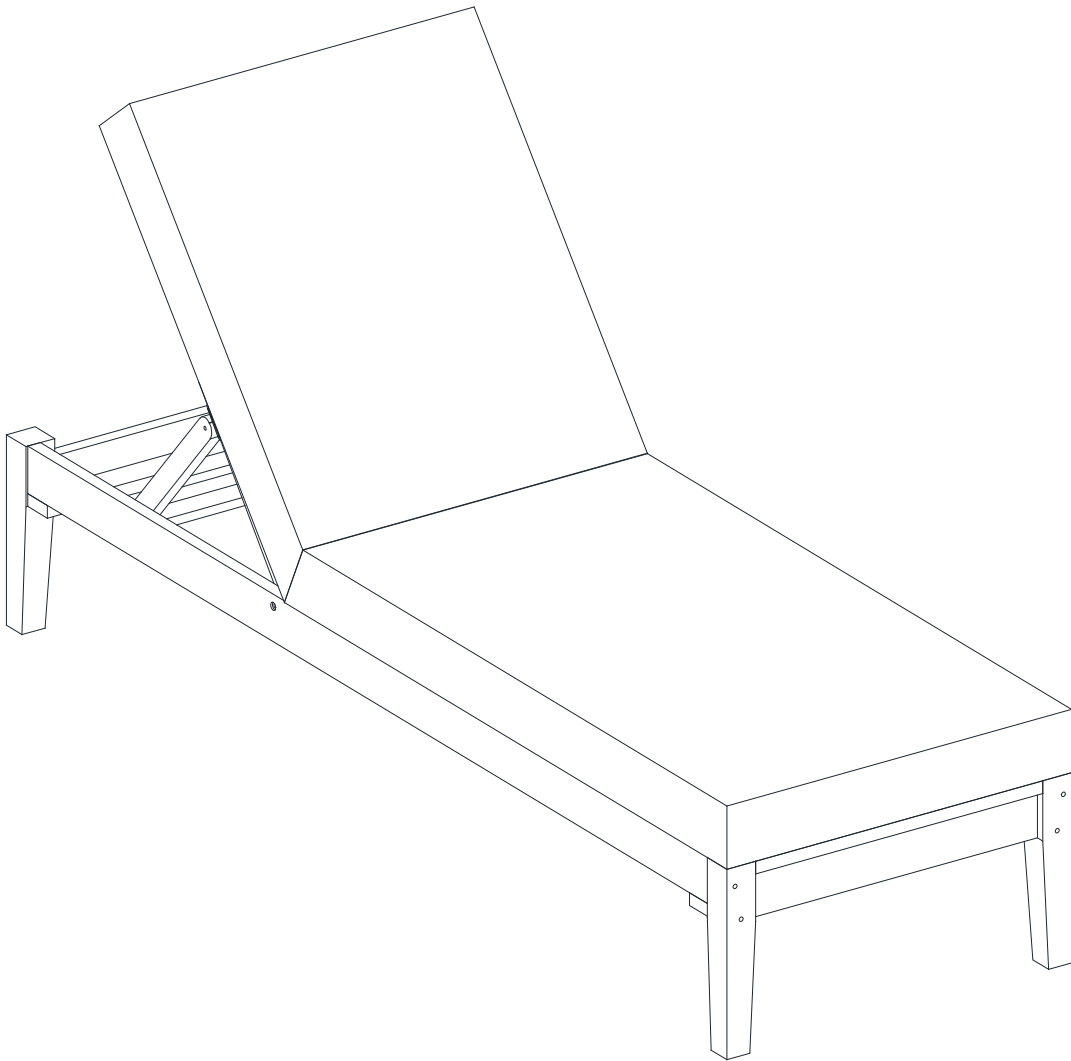


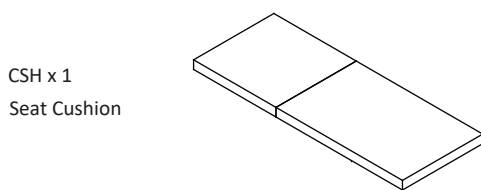
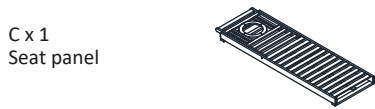
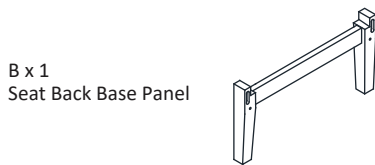
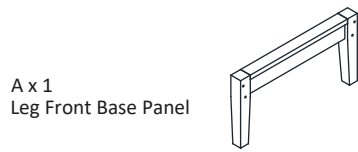
TEAKWOOD CHAISE LOUNGE

Assembly Instructions



Every thing we make is incredibly simple to set up, including your new chaise lounge . You won't need any additional tools.

Parts List



Hardware List

HW1 x 8
Allen Screw: M6x0.5x90 mm



HW2 x 1
Allen Screw: M6x0.5x40 mm

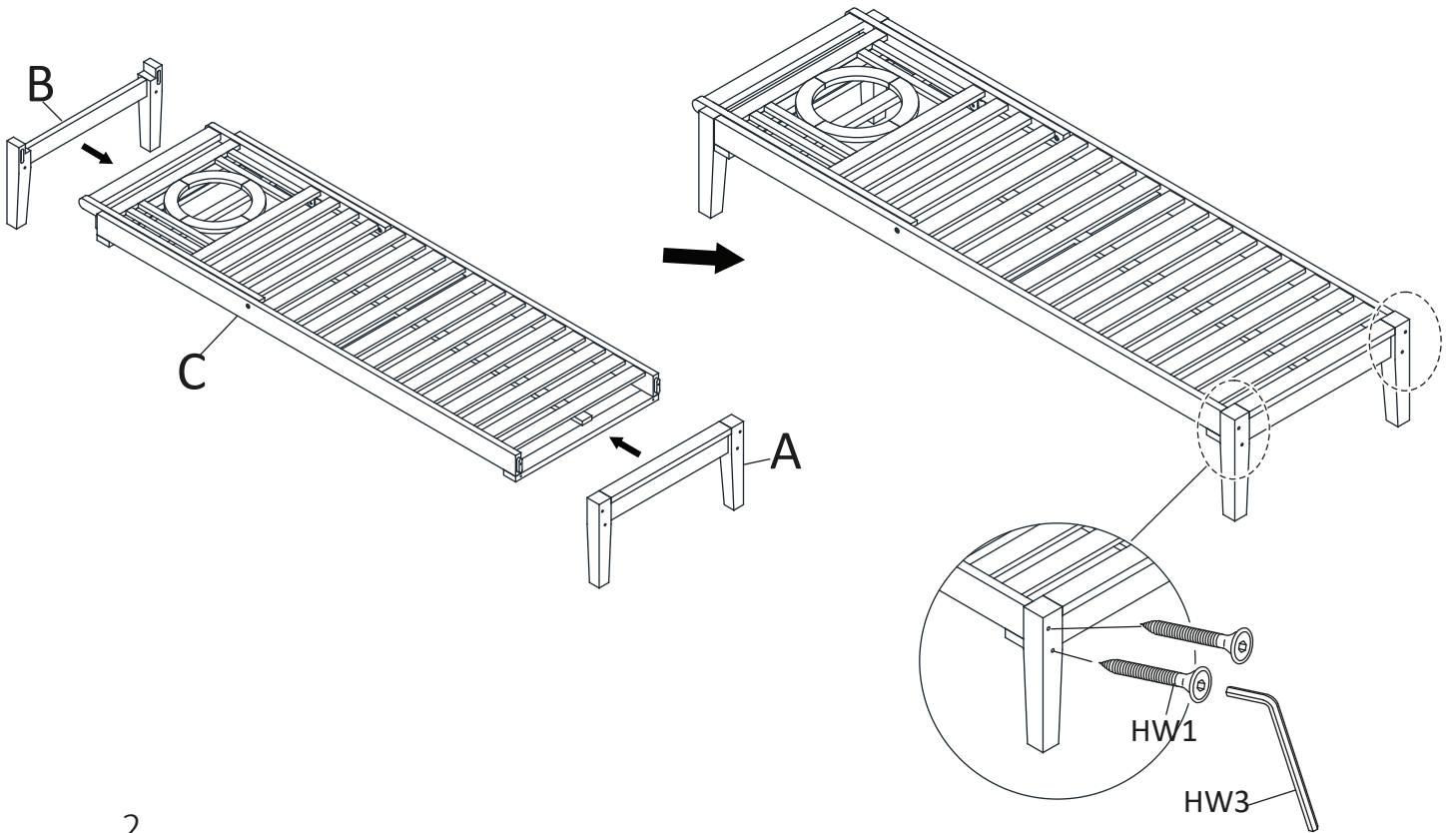


HW3 x 1
Allen key



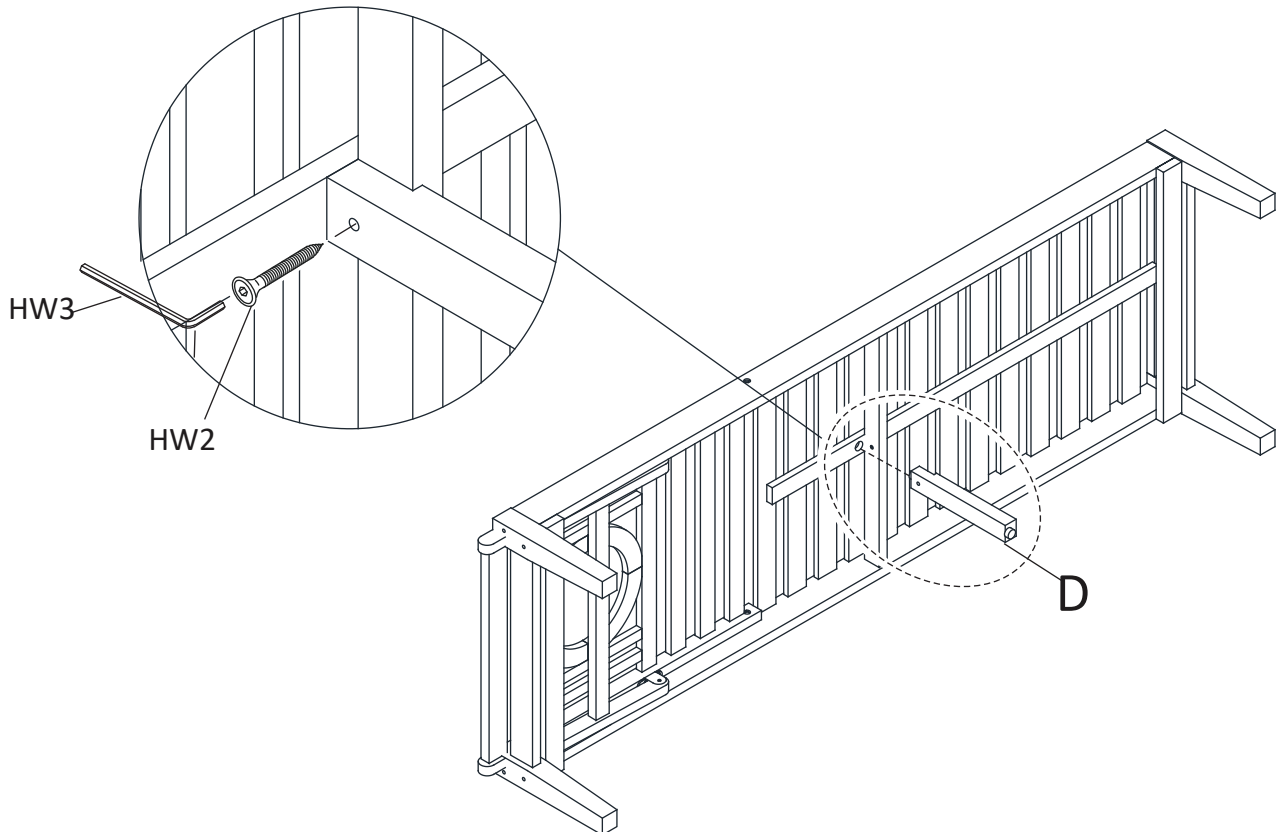
1

Attach Leg Front Base Panel (A) and Seat Back Base Panel (B) to Seat Panel (C), Use Screws (HW1) tighten with Allen Key (HW3) .



2

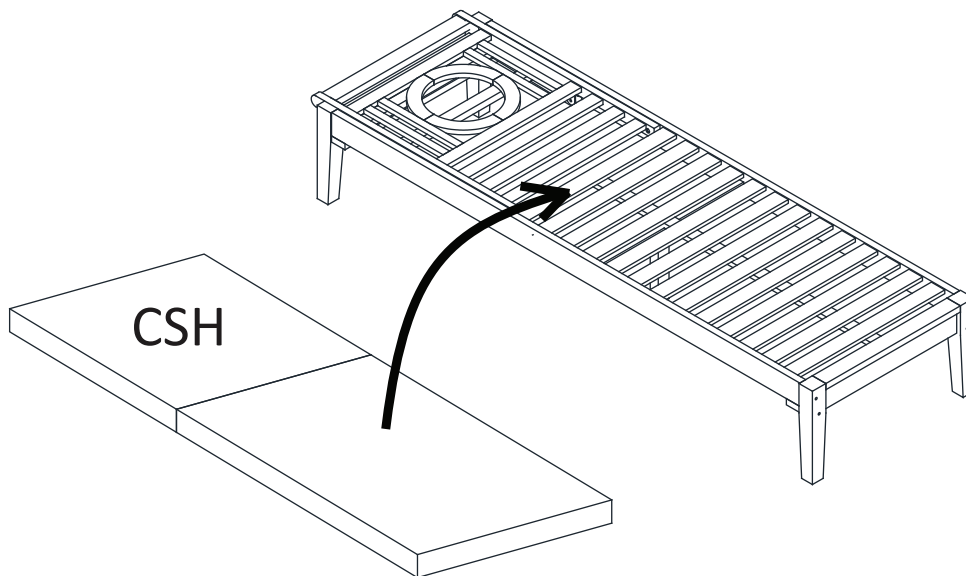
Attach Leg (D) to Seat Panel (C). Use Screws (HW2) tighten with Allen Key (HW3)



3

Attach Ensure all screws, bolts are fully locked into position .

Attach Seat Cushion (CSH) in CHAISE LOUNGE .



4

Place the chaise lounge in the place where you will use it. We'd love to see it – just tag us and use the hashtag on Instagram!

