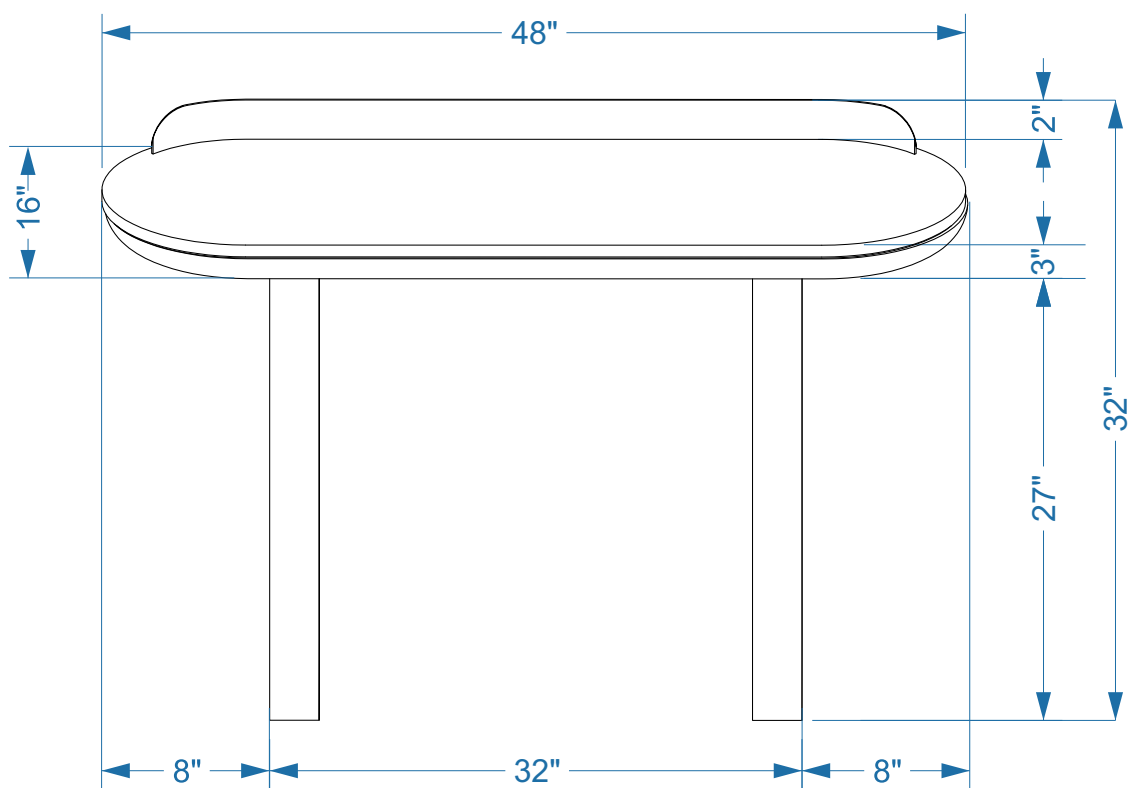





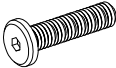

ASSEMBLY INSTRUCTIONS



PARTS LIST

LABEL	PICTURE	DESCRIPTION	QTY
A		TOP	1
B		LEG	2

HARDWARE

LABEL	PICTURE	DESCRIPTION	QTY
C		WASHER Ø8/16xH1.5mm	6
D		SCREW M8x45	6
E		WRENCH M4x60	1

BEFORE BEGINNING ASSEMBLY:



Read instructions cover to cover



Have two adults on hand for assembly



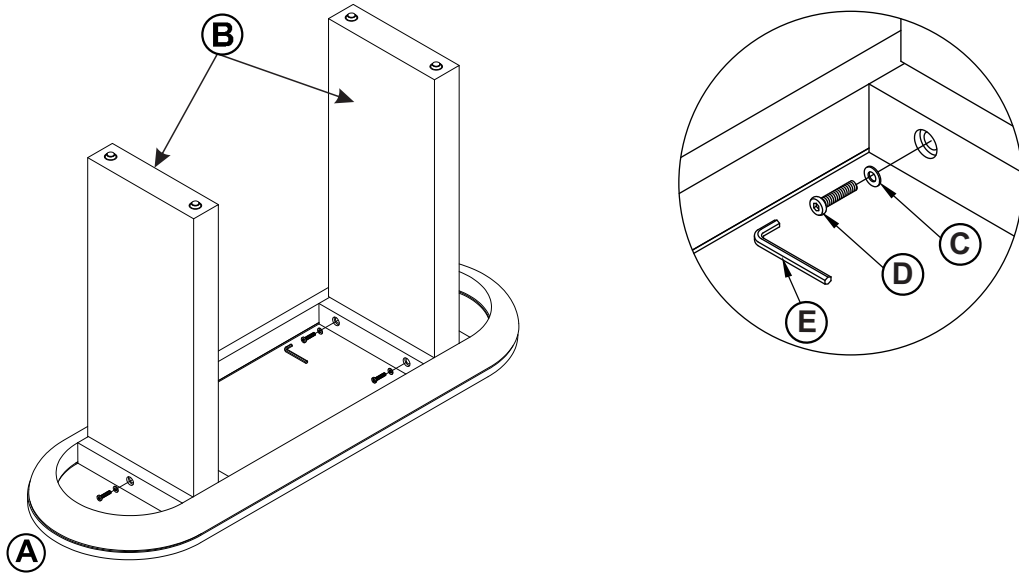
Do NOT assemble on flooring or carpet. Assemble on a clean non-marring surface (ex: packing foam)



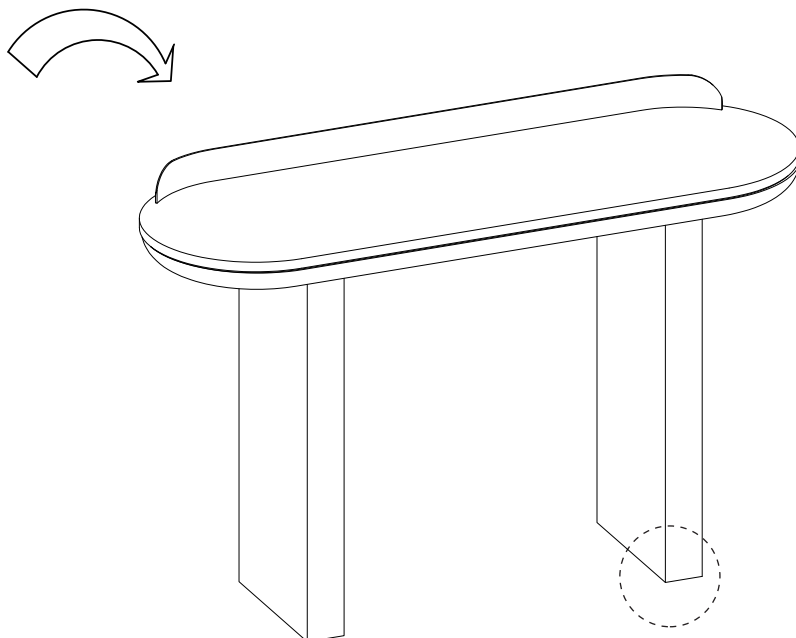
Save all packaging until assembly is completed

ASSEMBLY STEPS

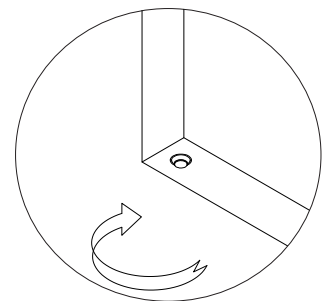
STEP#1



STEP#2



Adjust leveler (if case of need)



CARE & MAINTENANCE



Do not put hot items directly on furniture surface.



Do not clean furniture with harsh cleansers or polish



Dust and wipe up spills using a clean, non-colored, lint-free cloth.



Stains may be removed with mild soap solution and a damp cloth.



Do not place furniture under direct sunlight.



Do not place furniture near heating or cooling vents.



Do not write on furniture without a padded barrier to protect the surface.



Do not place furniture outside, for indoor use only.