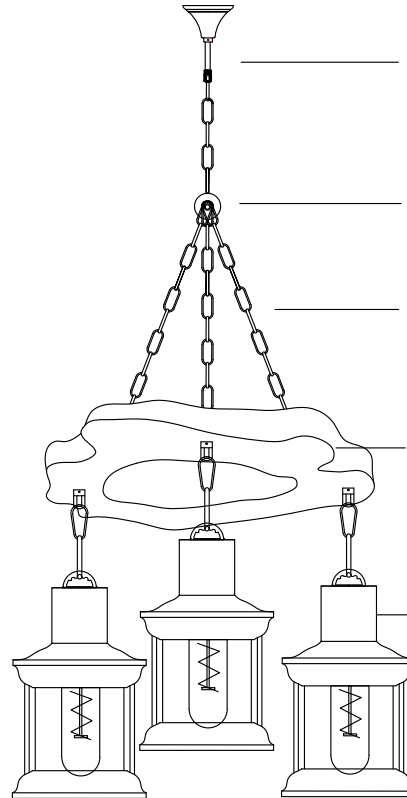
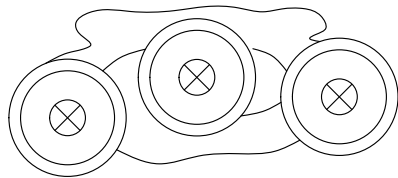
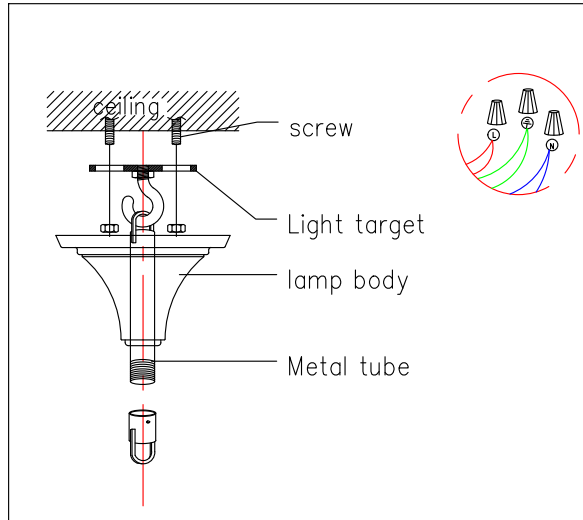


Installation Instructions



Step 1: Take out all the parts in the box.

Step 6: Hang the canopy, installation is complete.

Step 4: Pass the three wires connecting the lantern into the black iron ball and connect them with the L and N wires of the main line.

Step 5: Connect the three chains at the end to the wooden board, and connect the top of the middle chain to the canopy.

Step 3: Remove the hanging buckle at the end of the sling and tighten it on the top of the wooden board.(Three)

Step 2: Connect the screws above the lantern to the wooden board and tighten them.

- 1.Voltage/Frequency : 110V 50Hz
- 2.Please wear gloves to install.
- 3.Don't install it on the moist ceiling.
- 4.Turn off the power befe cleanout.
- 5.Please wash with the sanitizer without corrosivity.
- 6.Please install according to theinstallaion manual Please.