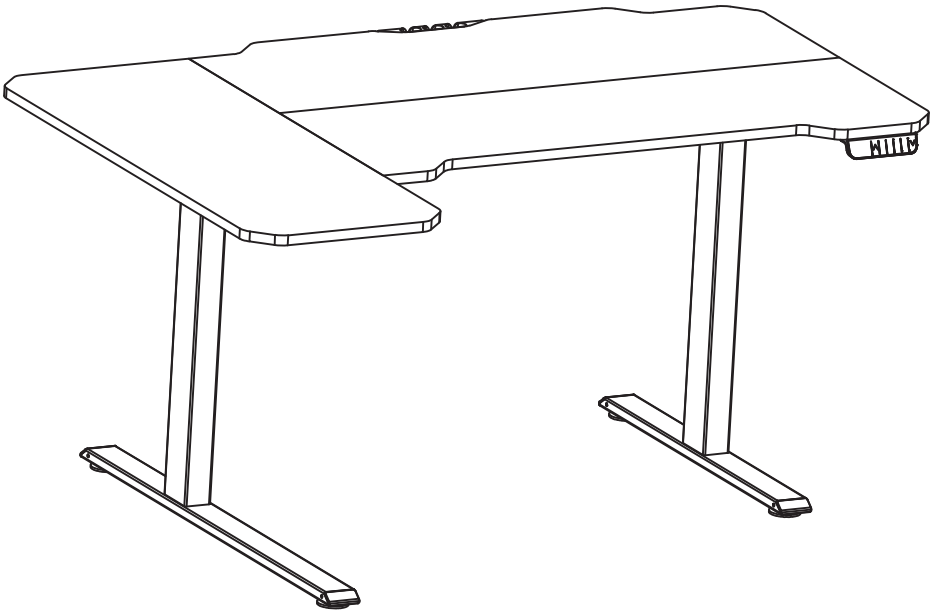


Electric Height Adjustable Standing Desk

USER MANUAL





IMPORTANT INFORMATION
READ CAREFULLY.
KEEP THIS INFORMATION FOR FURTHER REFERENCE.

GENERAL GUIDELINES

- Please read the following instruction carefully and use the product accordingly.
- Please keep this manual and hand it over when you transfer the product.
- This summary may not include every detail of all variations and considered steps. Please **contact us** when further information and help are needed.

NOTES


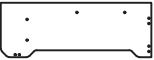


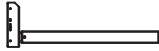




- Please follow the assembly instructions precisely and only use the product as intended.
- If an odor is present when first opening the package, please leave the unwrapped product in a shaded and ventilated area for a few days to air out.
- Prior to assembly, please check the product for defects or missing accessories. If any defects are found or accessories are missing, do not use product as damage or injury may occur;
- Please **contact us** for assistance and replacement.
- During assembly, please only slightly tighten all screws in their correct position first, then fully tighten them. A Philips screwdriver is recommended but not included.
- It is suggested you regularly check the products bolts and connections to ensure safe use.
- Assemble the item on a soft flat and clean surface to avoid scratches and damage.

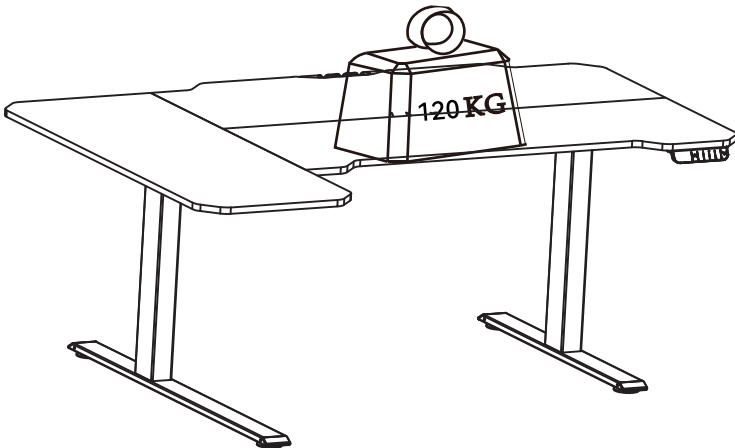
WARNINGS

- During assembly, keep parts and packaging materials away from children and pets as there could cause injury and are a potential choking hazard.
- Avoid sharp objects or corrosive chemicals to prevent damage to the product.
- Please open the item slowly and cautiously to avoid pinching your hands by metal joints, especially children.

Components

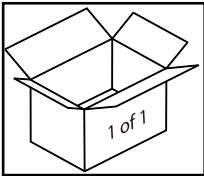
Please check you have all the pieces listed below

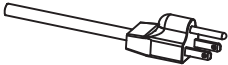


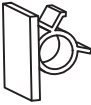

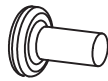
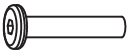

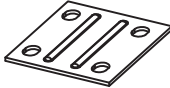


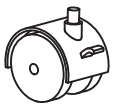

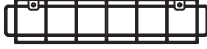
Reference	Part	QTY
①		1
②		1
③		1
④		2
⑤		2
⑥		1
⑦		1
⑧		1
⑨		1



Components

Please check you have all the pieces listed below

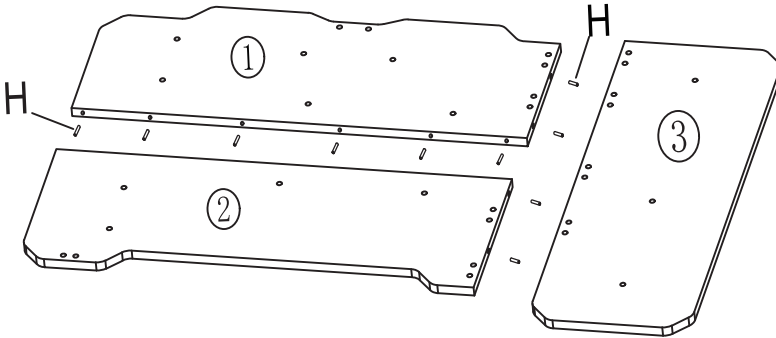


<p>A</p>  <p>Power Cable x1</p>	<p>B</p>  <p>Controller x1</p>	<p>C</p>  <p>Leveling Studs x4</p>
<p>D</p>  <p>Wire Clips x 5</p>	<p>E</p>  <p>4mm Allen Key x 1</p>	<p>F</p>  <p>Screws M6x12 x 50</p>
<p>G</p>  <p>Screws M6x35 x 10</p>	<p>H</p>  <p>Wooden Rod x 12</p>	
<p>M</p>  <p>Connector x 4</p>	<p>K</p>  <p>AC Adapter x 1</p>	<p>L</p>  <p>Hexagon Bar x 1</p>
<p>T</p>  <p>Locakble Wheels x 4</p>	<p>Z</p>  <p>Desktop Wire Holder x 1</p>	<p>O</p>  <p>Wire Basket x 1</p>

1

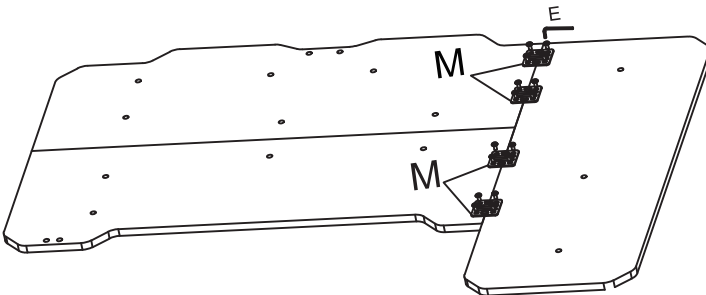
H	×10
Wooden Rod	

Note:Two more wooden rods in the accessory bag.

**2**

E	×1	F	×16	M	×4
4mm Allen Key		Screws M6		Connector	

Note:The horizontal bar on the Connector should be perpendicular to the seam of the table panel splice.

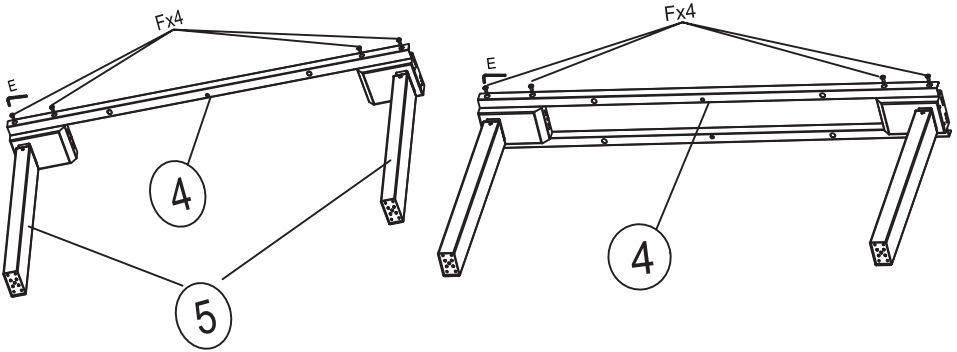


3

F × 8

Screws M6

Fix the support beams (Part 4) to the legs (Part 5) with M6 Screws



4

F × 4

Screws M6

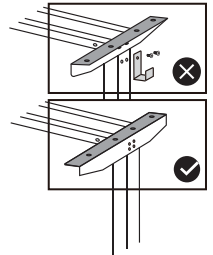
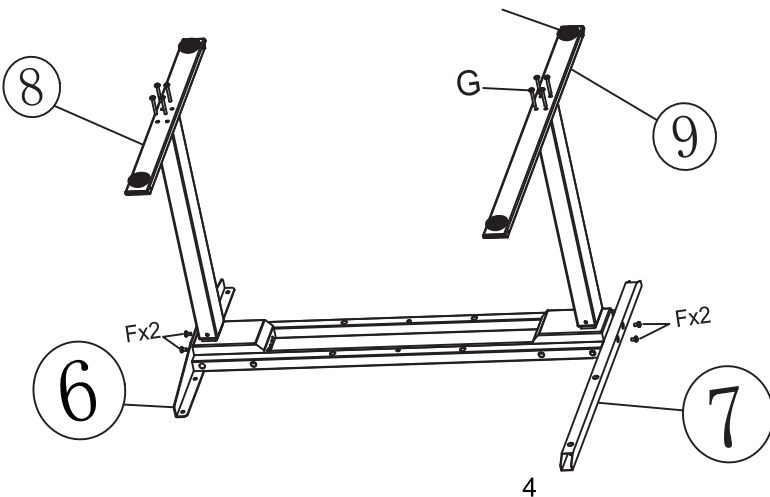
G × 8

Screws M6

C × 4

Leveling Studs

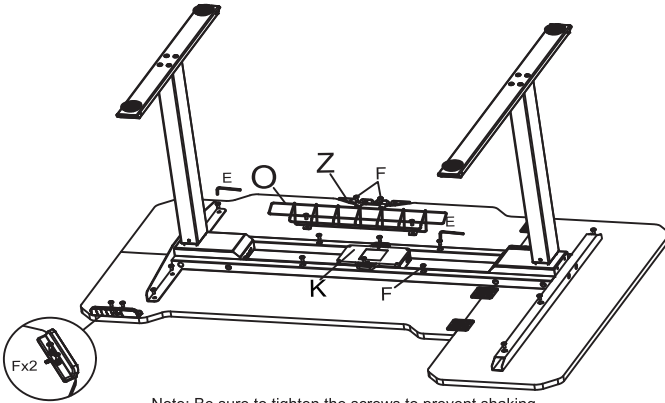
Fix the side brackets (Part 6+7) to the desk frame with M6x12 and the feet (Part 8+9) to the legs with M6x35. Then tighten the leveling studs to the feet



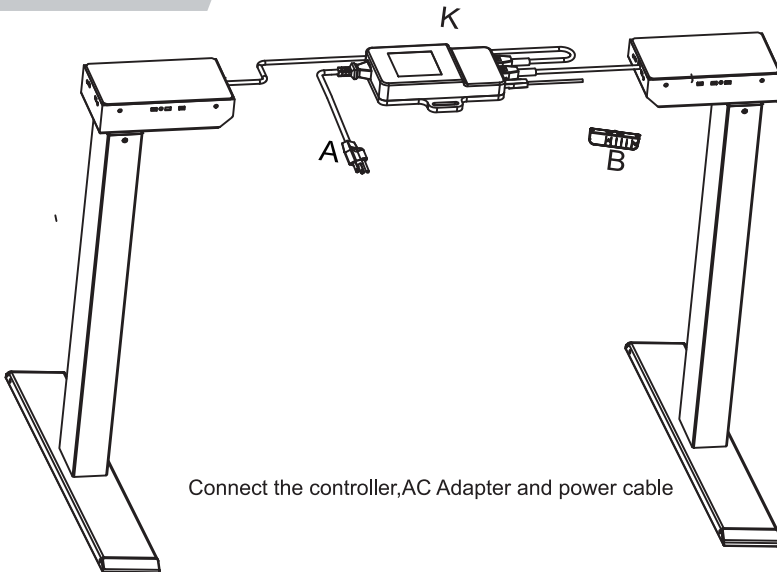
5

			Z ×1
			Desktop Wire Holder
K ×1	B ×1	O ×1	F ×19
AC Adapter	Controller	Wire Basket	Screws M6

Fix the deskframe to the desktop and install the desktop wire holder, wire basket and controller to the desktop. Then fix the AC adapter to the support beam.



6

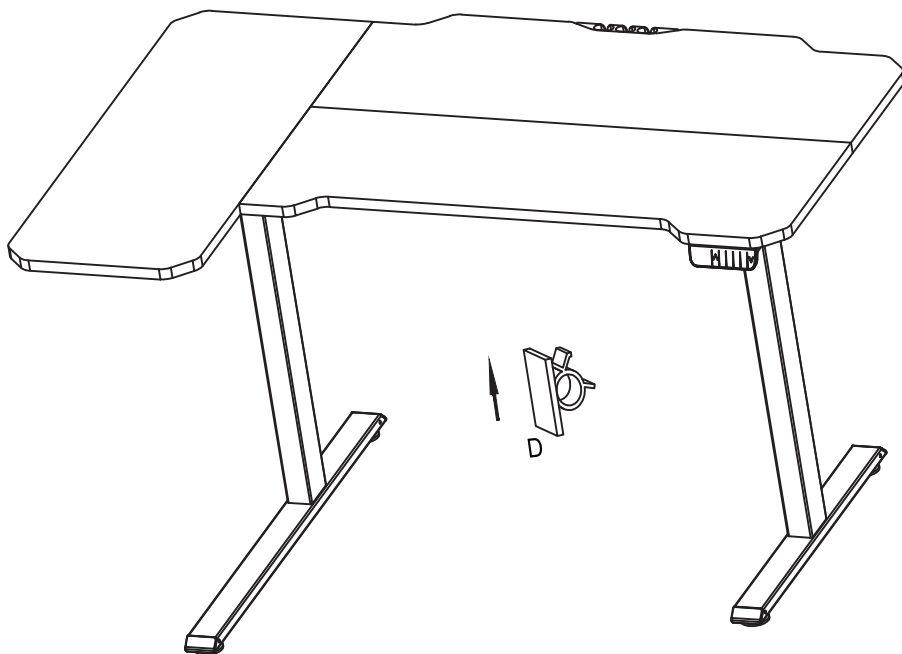


7

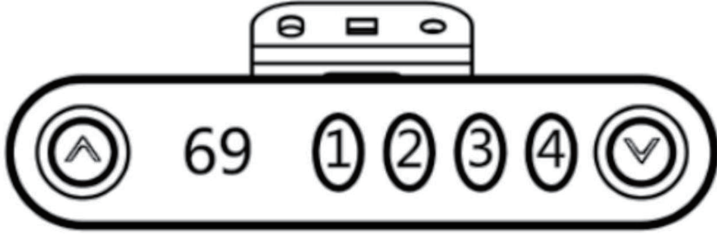
D	×5
Wire Clips	

Clip the wires with wire Clips(Part D) pasted under the desktop.Then power on to use it.

Dx5



DISPLAY INSTRUCTIONS



IMPORTANT	You must RESET the desk prior to use.
RESET Setting	Method 1: Press and hold “^” and “\” buttons on the controller at the same time for seconds until you hear the beep. Release the buttons. The desk will go automatically until it shows 69, and the reset is successful.
Height Adjustment	Up: Press Up “^” Down: Press Down “\”
Switch Display	Press 2 times “\” when the desk is at the lowest position to switch cm to inch
Memory Height	Press and hold any of memory buttons (1,2,3 or 4) until you hear a beep. Release the button, and this position height will be stored in memory. When the working height of memory needs to be used, press the memory position button and the desk will automatically adjust to the memory height. Note: This standing desk has 4 different height memories. The memory positions stored are still valid after power off. You can use the up and down buttons to adjust the standing desk to the height you need to work.

Troubleshooting Guide:

If your standing desk does not work properly, you may need to reset it. If any error codes appear, you need to reset it.

Maintenance and Consideration:

1. During daily maintenance, use a clean soft cloth to remove surface dust. Do not use a wet cloth or hard material to wipe the surface of the table.
Avoid contacting the surface with acid-based chemicals.
2. For slight scratches, gently wipe with a soft cloth, you can smooth out scratches.
Avoid attaching tape directly to the outer surface of the metal feet to prevent paint from peeling