

DIXVILLE FREESTANDING TUB FILLER

Cat. No.
7954MC-7954ML



Features:

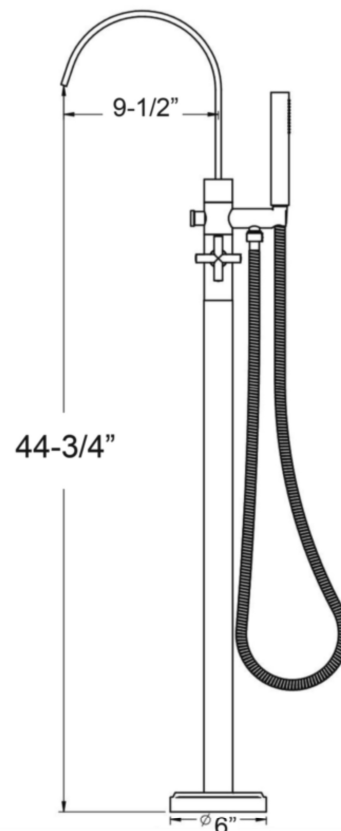
- ▶ Spout reach is 9-5/8"
- ▶ Flow rate 6.34 GPM (80 PSI)
- ▶ Hardware included
- ▶ Push button diverter
- ▶ 1/2" NPSM Water Connection
- ▶ IAPMO certified
- ▶ Wand Style Hand Shower flow rate 1.6 GPM (80 PSI)
- ▶ Available in 3 finishes
- ▶ Ceramic disc cartridges
- ▶ 7954MC (metal Cross handles) & 7954ML (Metal lever handles)
- ▶ Actual Weight 13LBS



Finishes:

- BN** Brushed Nickel
- PN** Polished Nickel
- ORB** Oil Rubbed Bronze

D: 11-7/8"
W: 4-5/8"
H: 49-1/4"



Dimensions are nominal and may vary. Dimensions and specifications subject to change without notice.