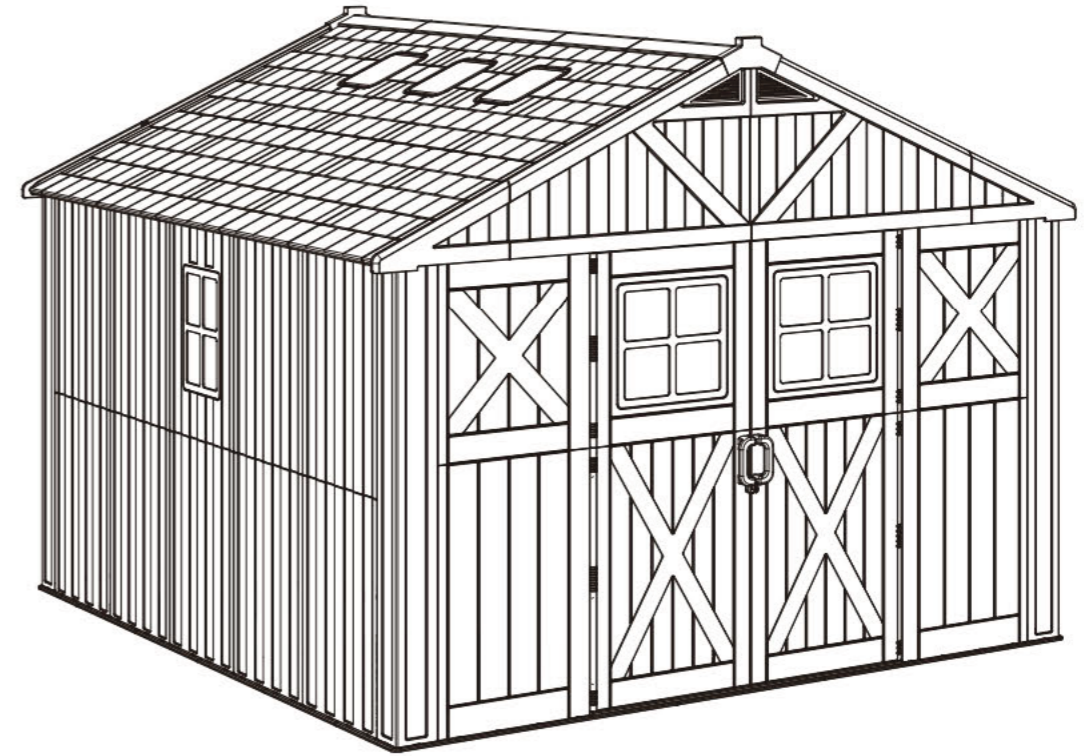


ASSEMBLY INSTRUCTIONS

10X12FT RESIN GARDEN SHED

SKU: T-PS24-0781A-10



Store
Your
Patio Well



E-mail:
saleservice@madepot.com



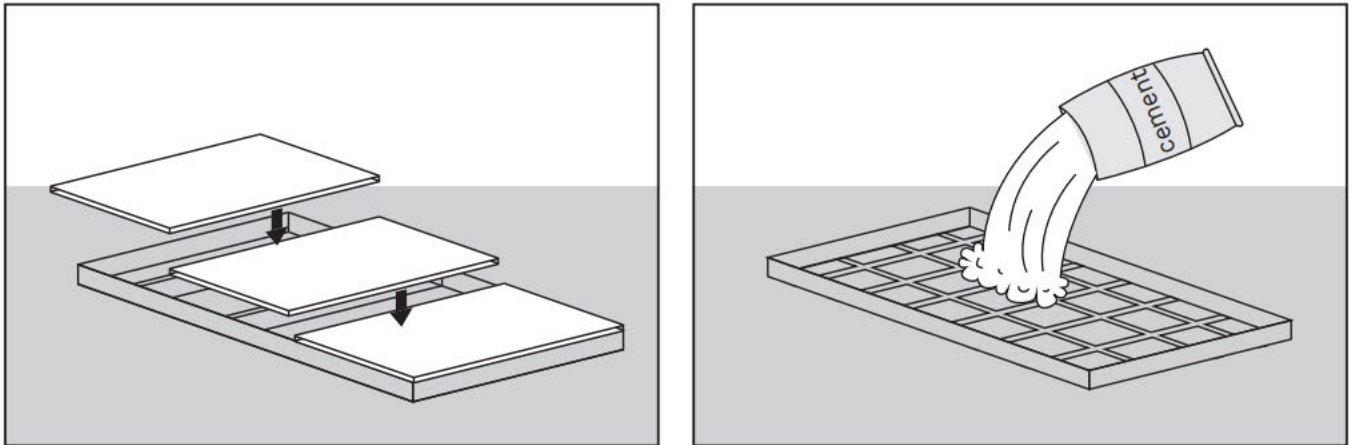
Please read the instruction manual strictly,
Please assemble the resin garden shed in
the following steps.

SITE PREPARATION

Level the ground surface.



Recommendation: Construct a wooden or concrete base as a foundation.



Before installation, please measure the ground with a tool and make sure the ground is level before installation.

BEFORE STARTING ASSEMBLY

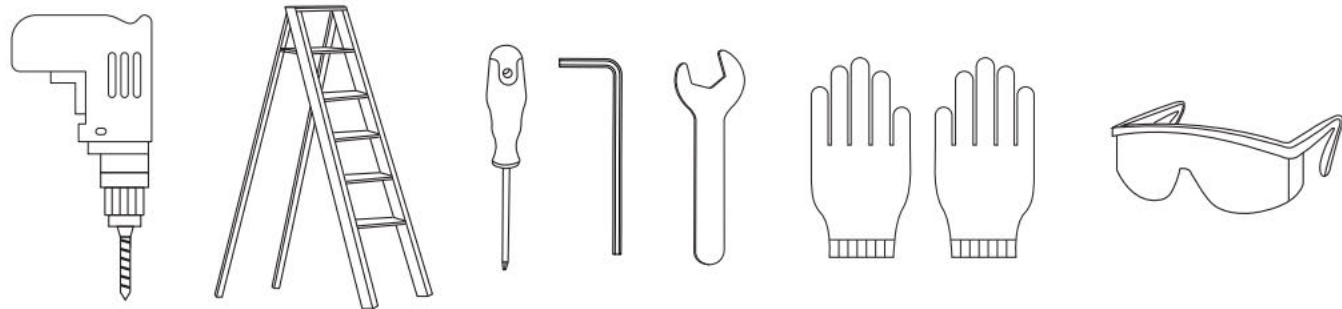
Remove all of the pieces from the 11 packages and spread them out on the ground. Before installation, please check the type and quantity of parts first.

It is recommended to use a clean work surface to spread the parts out and for pre-assembly steps. Review all instructions before you begin, continue to refer to instructions during assembly.

Be sure to follow all steps thoroughly.

Please prepare these components in advance at the beginning of each stage.

REQUIRED TOOLS



CAUTION

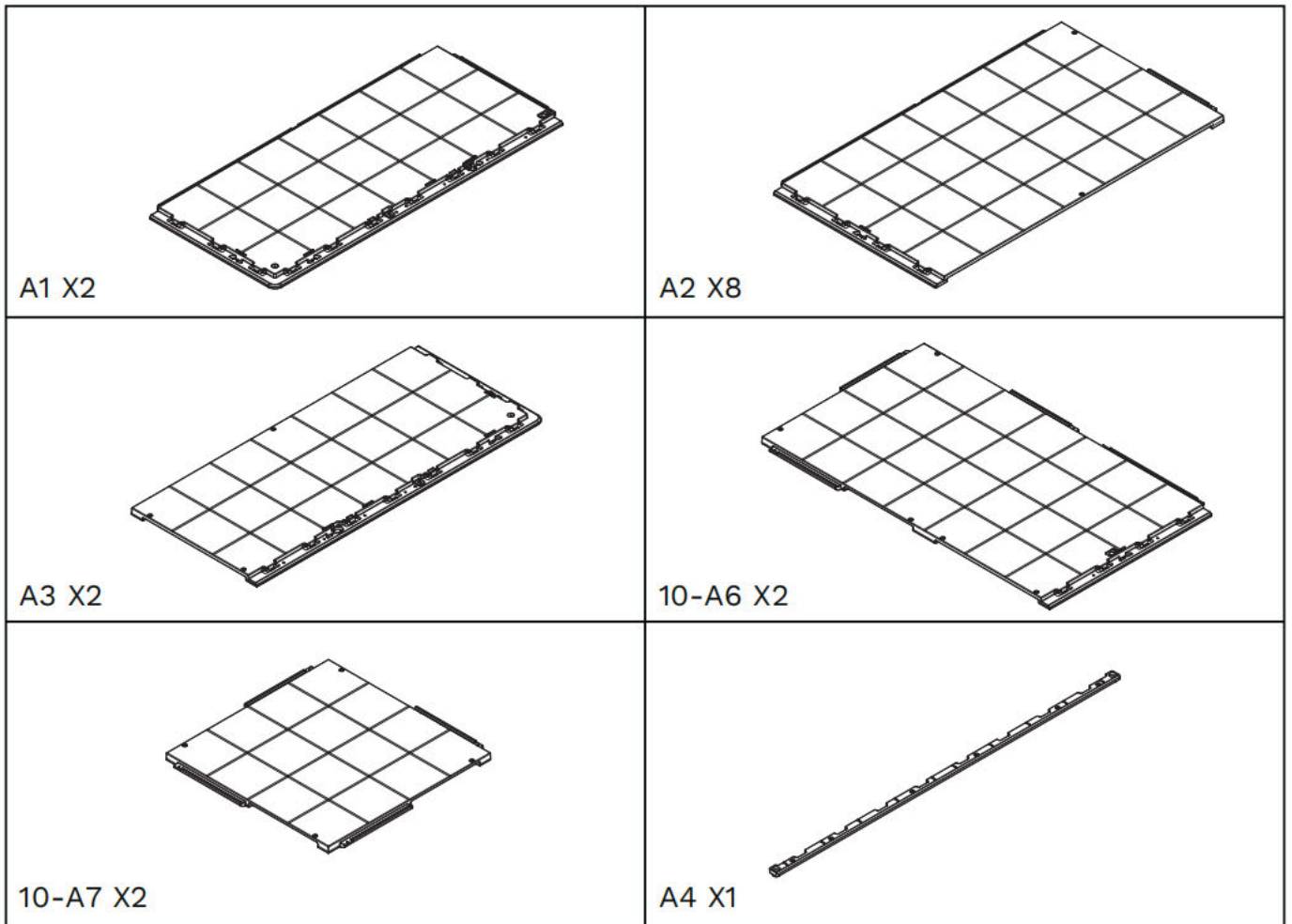
Some parts have steel edges. Please be careful when handling components. Always wear work gloves, eye protection and long sleeves when assembling or performing any maintenance on your shed. Do not attempt assembly on days with strong winds or low temperatures.



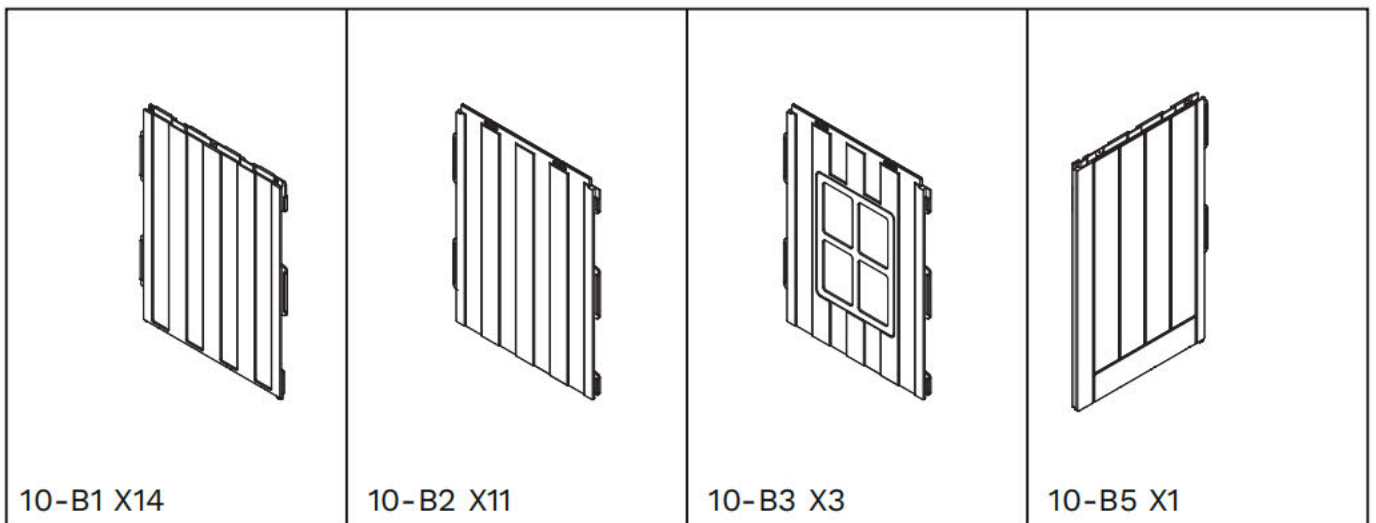
Requires two people and takes 2-3 hours for Installation. Recommended to wear gloves to avoid scratches. Please read the manual carefully before installation.

DO NOT RETURN YOUR UNIT
TO THE STORE
Contact us first
saleservice@madepot.com

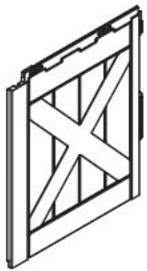
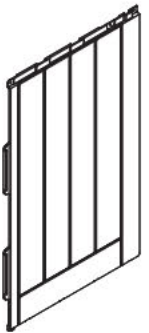
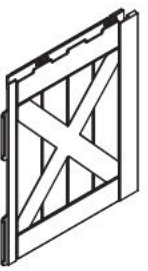





FLOOR PARTS



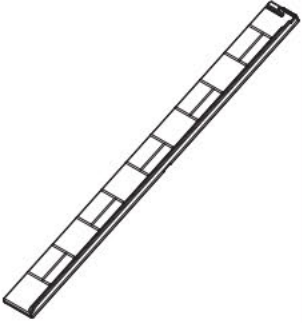
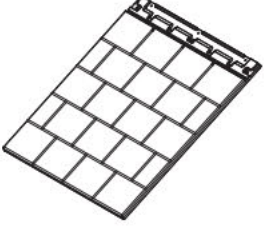
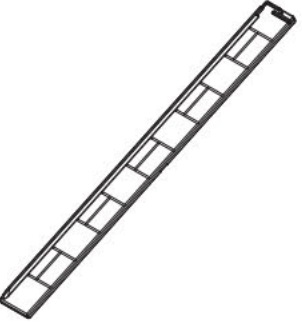

WALL PARTS



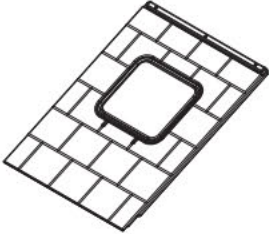


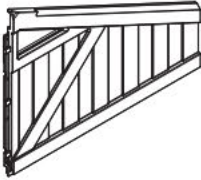






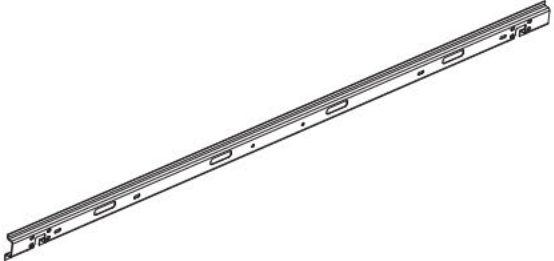
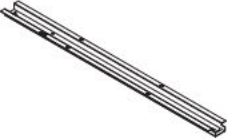

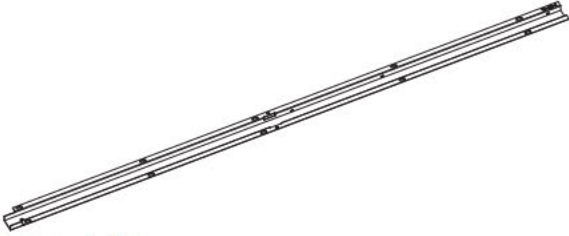
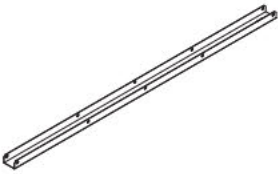
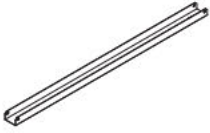
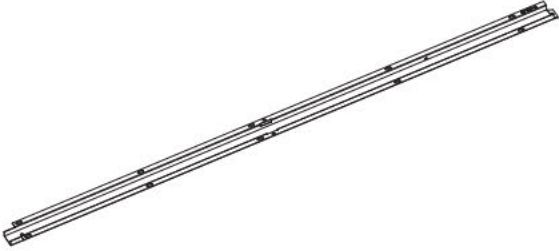
WALL PARTS

 <p>10-B7 X1</p>	 <p>10-B8 X1</p>	 <p>10-B9 X1</p>	 <p>B4 X2</p>
 <p>B6 X2</p>	 <p>B2-1 X12</p>	 <p>B2-2 X2</p>	 <p>B2-3 X9</p>


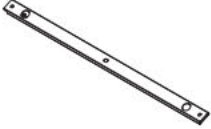

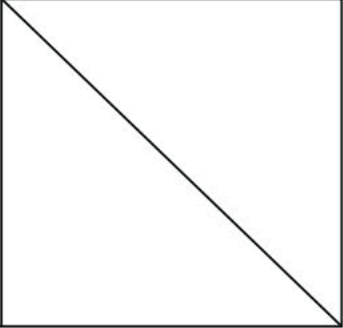
ROOF PARTS

 <p>10-D1 X2</p>	 <p>10-D2 X10</p>	 <p>10-D3 X2</p>	 <p>10-D4 X4</p>
--	--	--	---


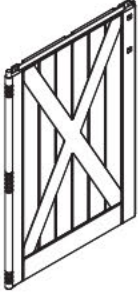
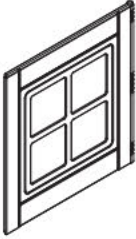



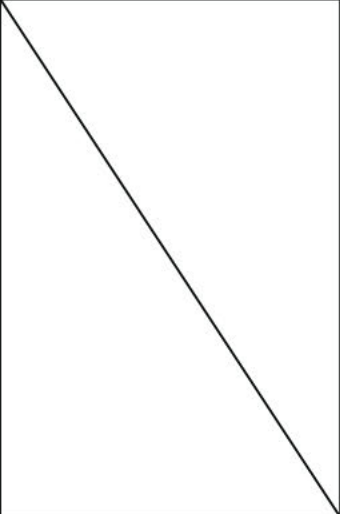
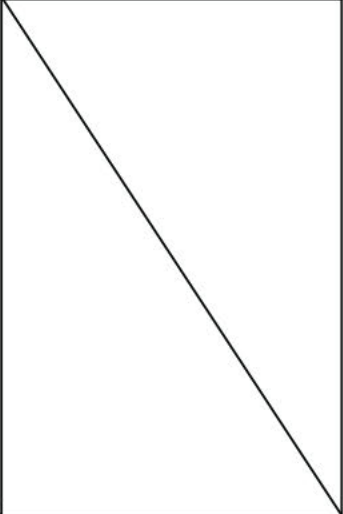
ROOF PARTS

 <p>10-D5 X6</p>	 <p>10-E1 X2</p>	 <p>10-E2 X3</p>	 <p>10-CR X2</p>
 <p>10-CL X2</p>	 <p>10-CR-1 X2</p>	 <p>10-CL-1 X2</p>	 <p>B2-4 X2</p>
 <p>10-B2-5 X1</p>	 <p>10-B2-6 X2</p>	 <p>DD X1</p>	
 <p>E1-1 X2</p>	 <p>E2-1 X3</p>	 <p>10-D2-1 X8</p>	
 <p>D2-2 X4</p>	 <p>D2-4 X2</p>	 <p>10-D2-3 X4</p>	














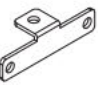





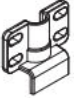


ROOF PARTS

			
10-D2-6 X16	10-D2-7 X10	10-D2-8 X4	


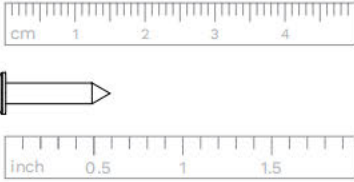

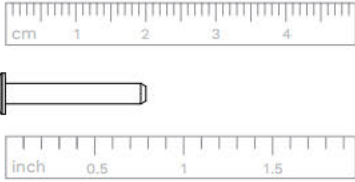

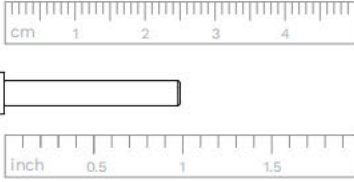

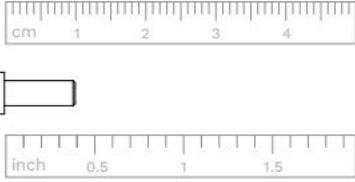

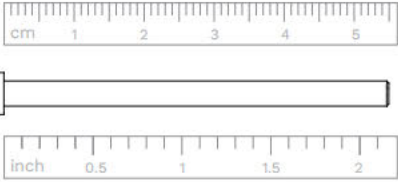

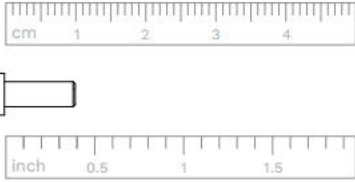

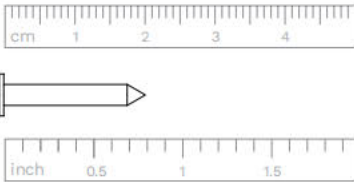

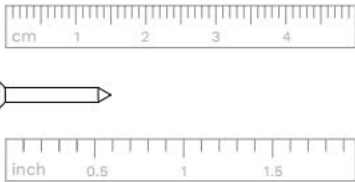

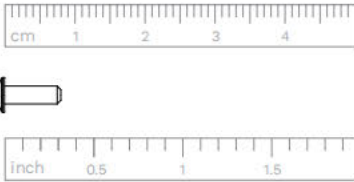

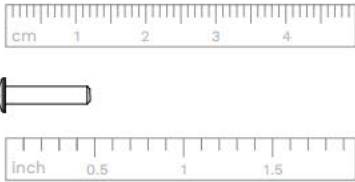

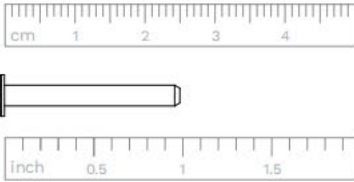

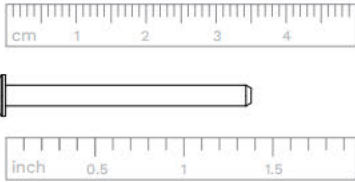
DOOR PARTS

			
DL-1 X1	DL-2 X1	DR-1 X1	DR-2 X1
			
DZ X2	DG X2		

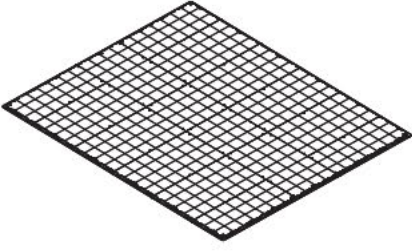
ACCESSORIES

 A5 X2	 10-A8 X4	 8/10-A9 X1	 8/10-A10 X1
 10-A11 X2	 A1-1 X1	 10-BC X34	 B1-1 X2
 E3 X2	 CRI X2	 CLI X2	 DC X1  D4 X16
 D2-5 X6	 D2-6 X8	 E4 X4	 10-HR1 X1
 10-HR2 X2	 10-HL1 X1	 DDZ X2	 M6 X12  Z6 X12

SCREW

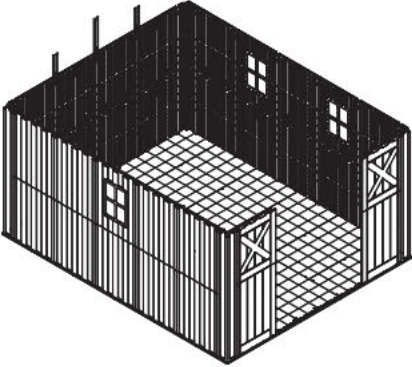
 <p>343 pcs</p>  <p>SP6-15 M6*15</p>	 <p>352 pcs</p>  <p>SP6-20 M6*20</p>
 <p>24 pcs</p>  <p>M6-25 M6*25</p>	 <p>10 pcs</p>  <p>M6-10 M6*10</p>
 <p>48 pcs</p>  <p>M6-55 M6*55</p>	 <p>30 pcs</p>  <p>M6-15 M6*15</p>
 <p>46 pcs</p>  <p>SPF6-20 M6*20</p>	 <p>6 pcs</p>  <p>SF4-15 M4*15</p>
 <p>18 pcs</p>  <p>M5-8 M5*8</p>	 <p>8 pcs</p>  <p>M5-12 M5*12</p>
 <p>24 pcs</p>  <p>SP6-25 M6*25</p>	 <p>10 pcs</p>  <p>SP6-35 M6*35</p>

CONTENTS



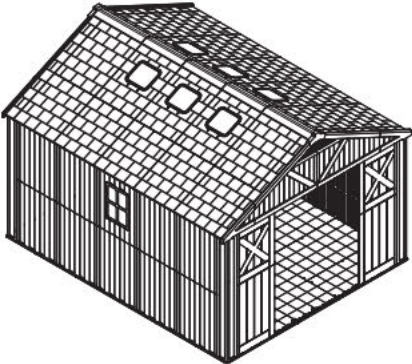
Floor Part Instruction

11-17
(page)



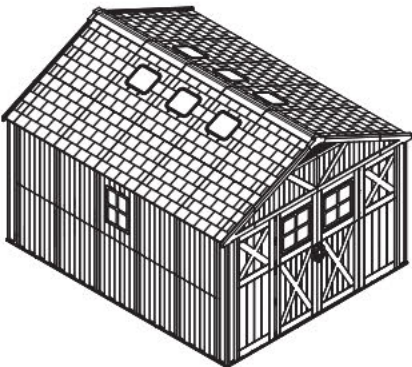
Wall Part Instruction

18-30
(page)



Roof Part Instruction

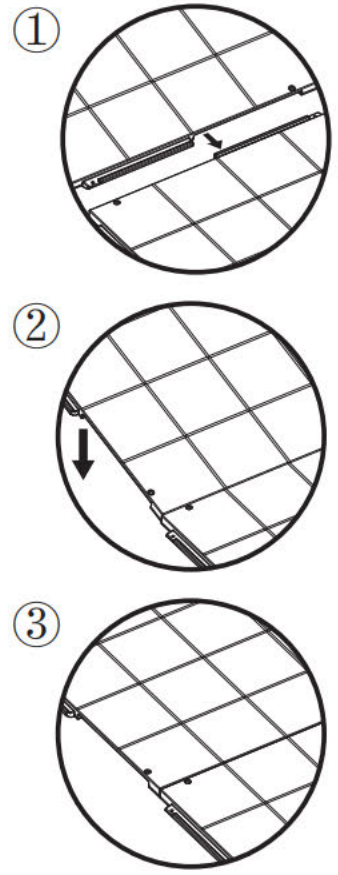
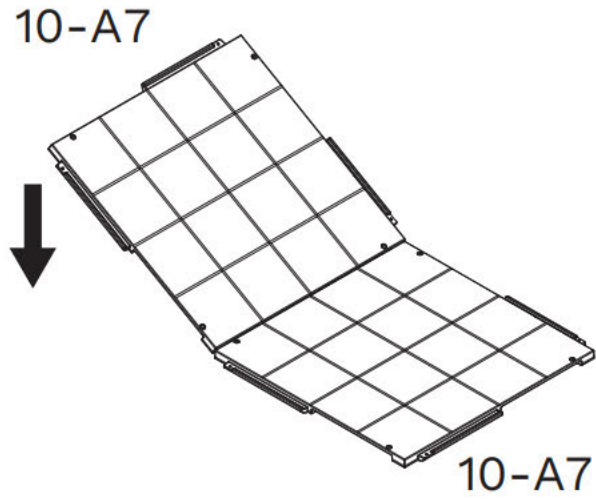
31-48
(page)



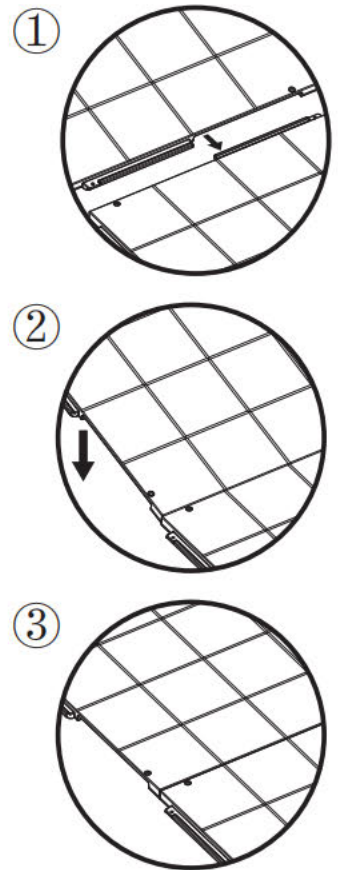
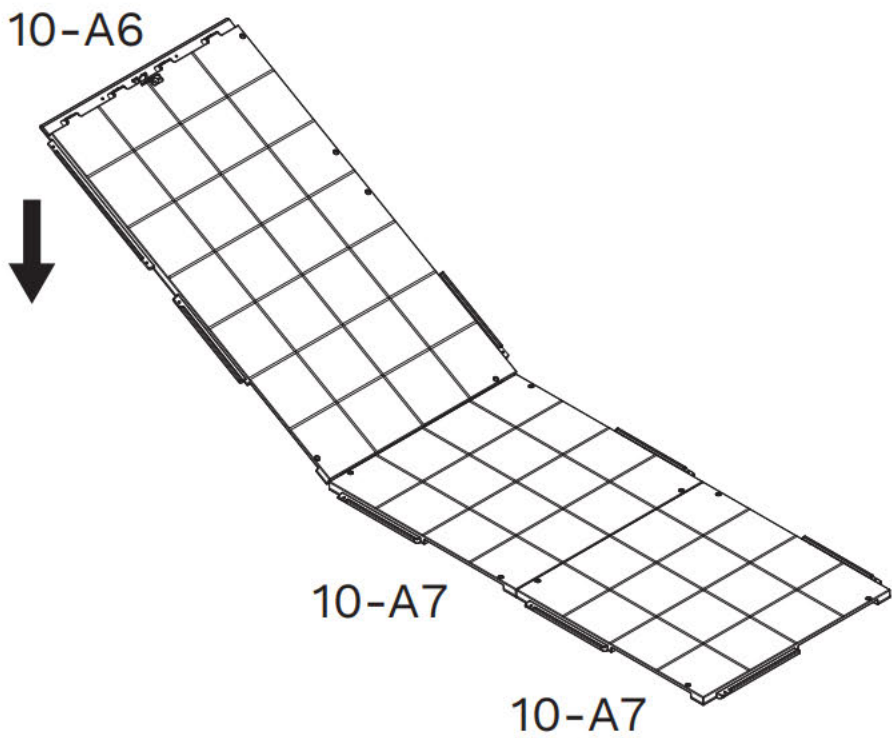
Door Part Instruction

49-53
(page)

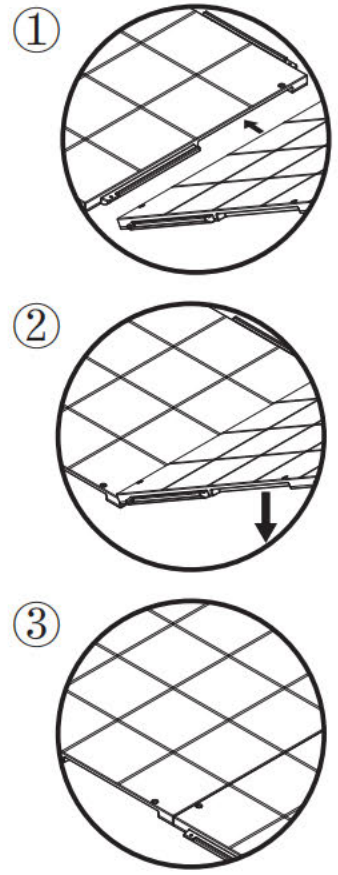
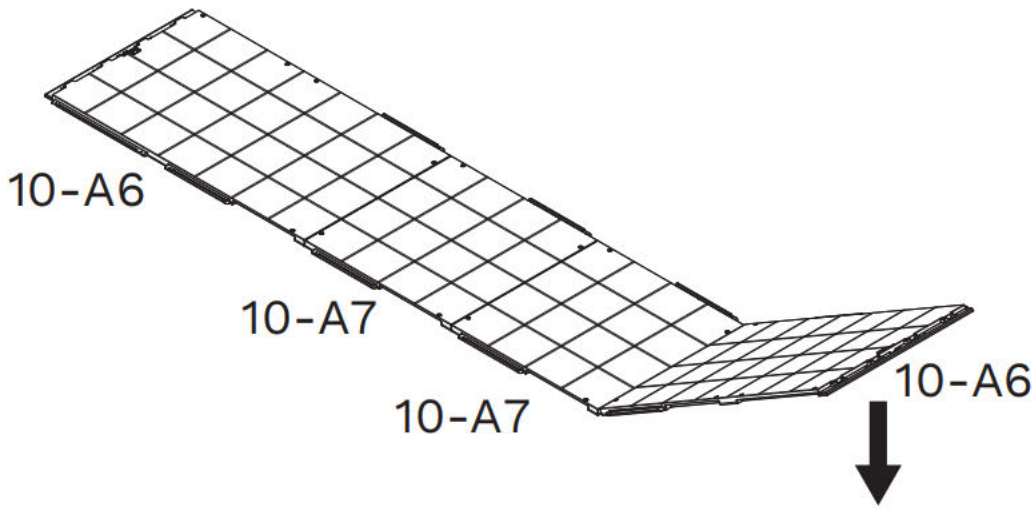
STEP 1



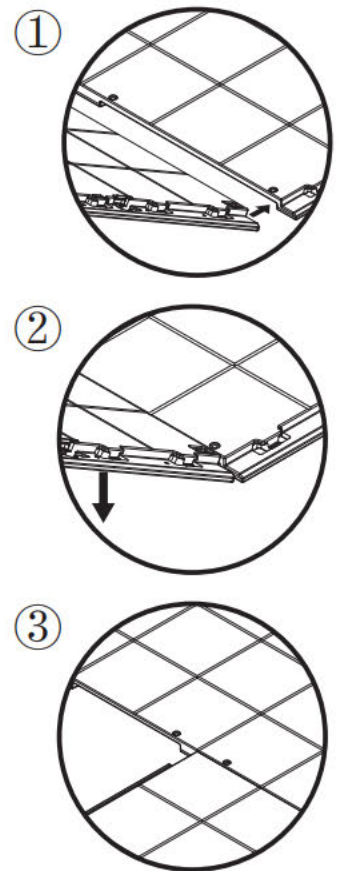
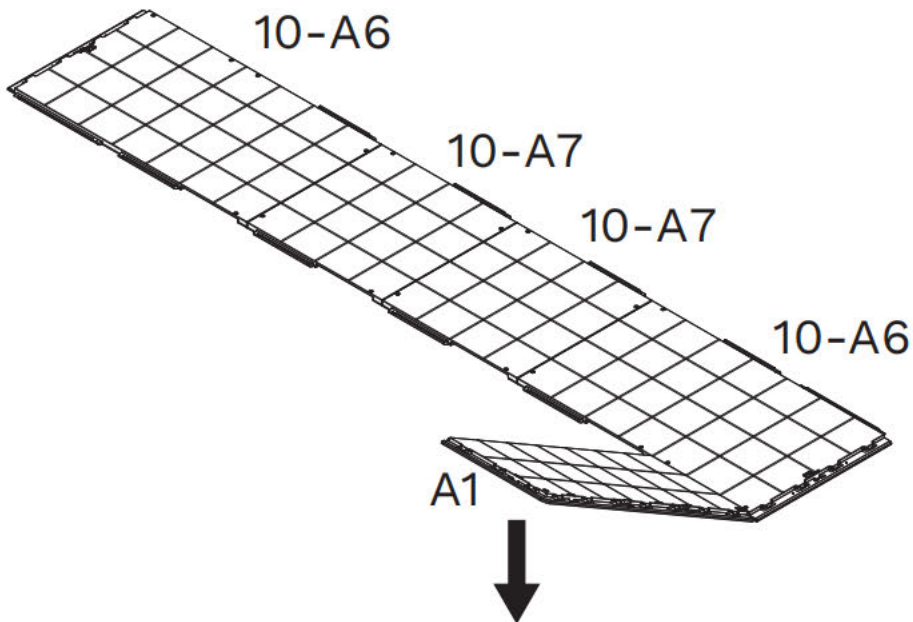
STEP 2



STEP 3

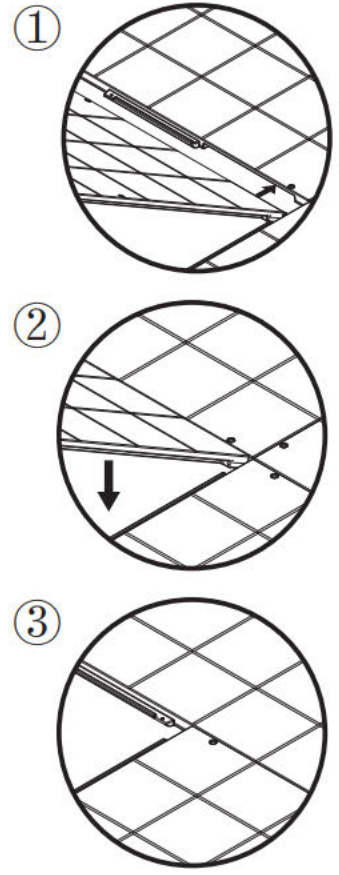
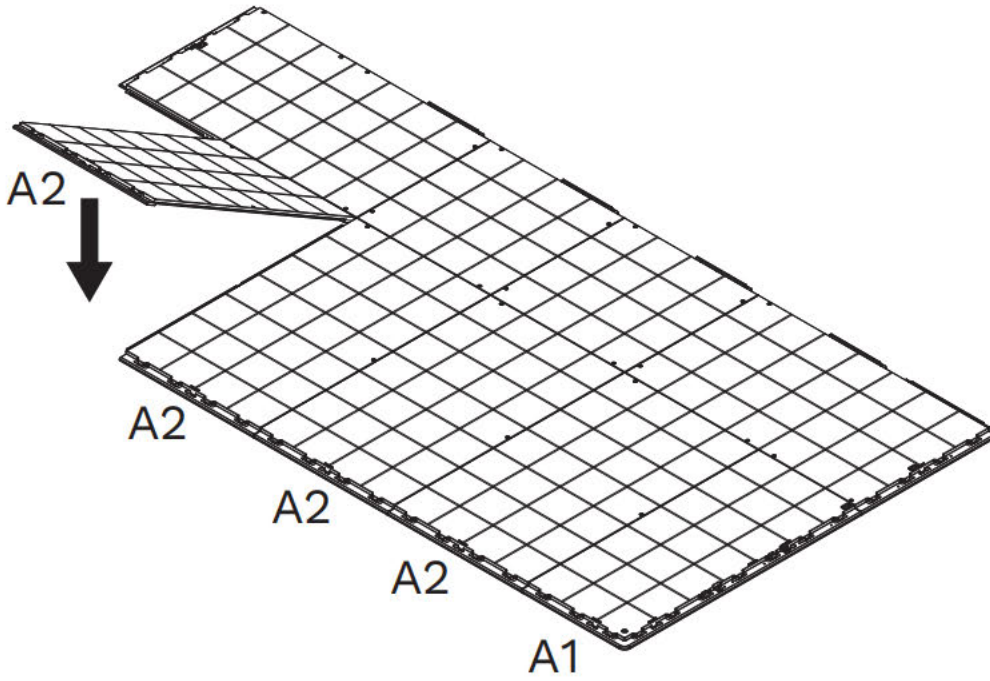


STEP 4

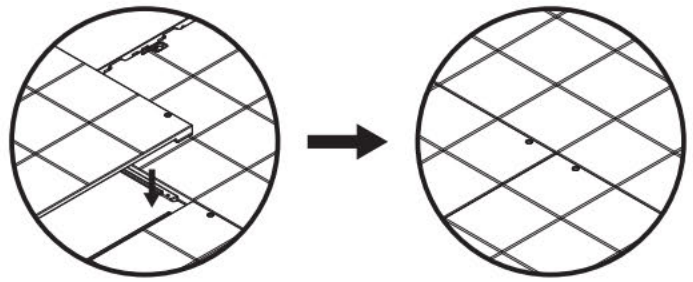
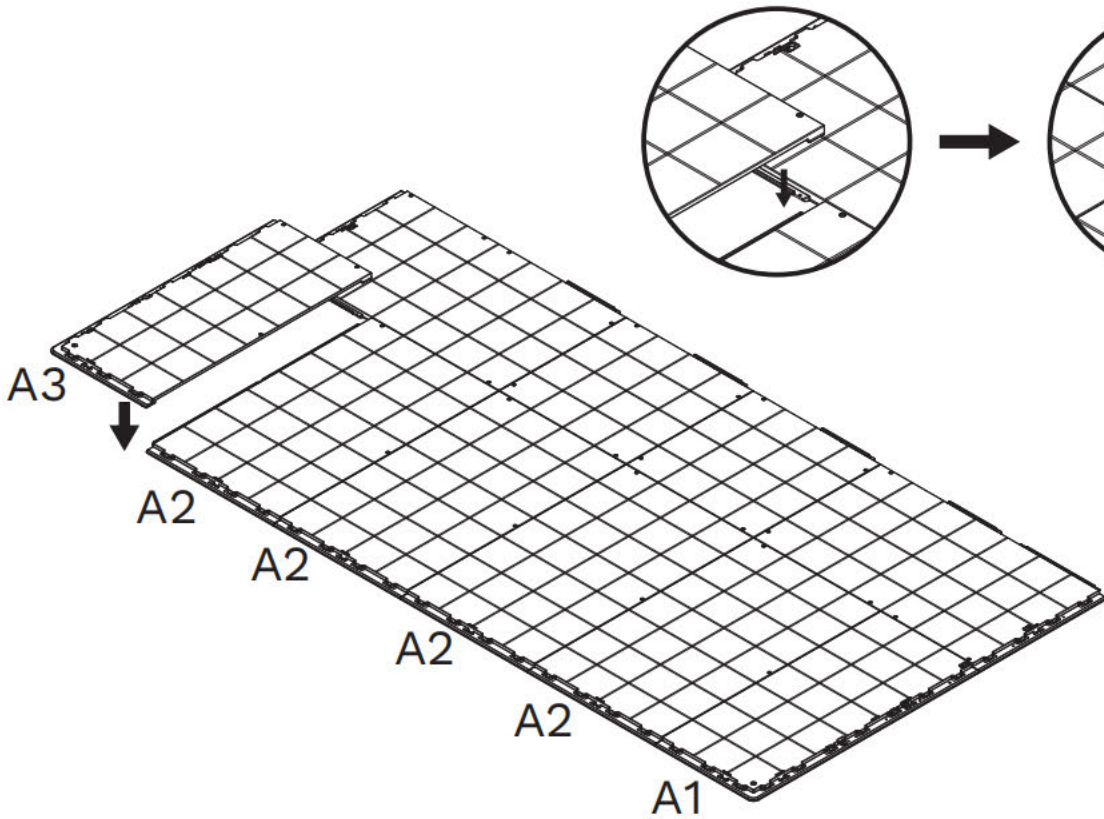


STEP 5

Refer to STEP 4 to Install 4 A2s in sequence.

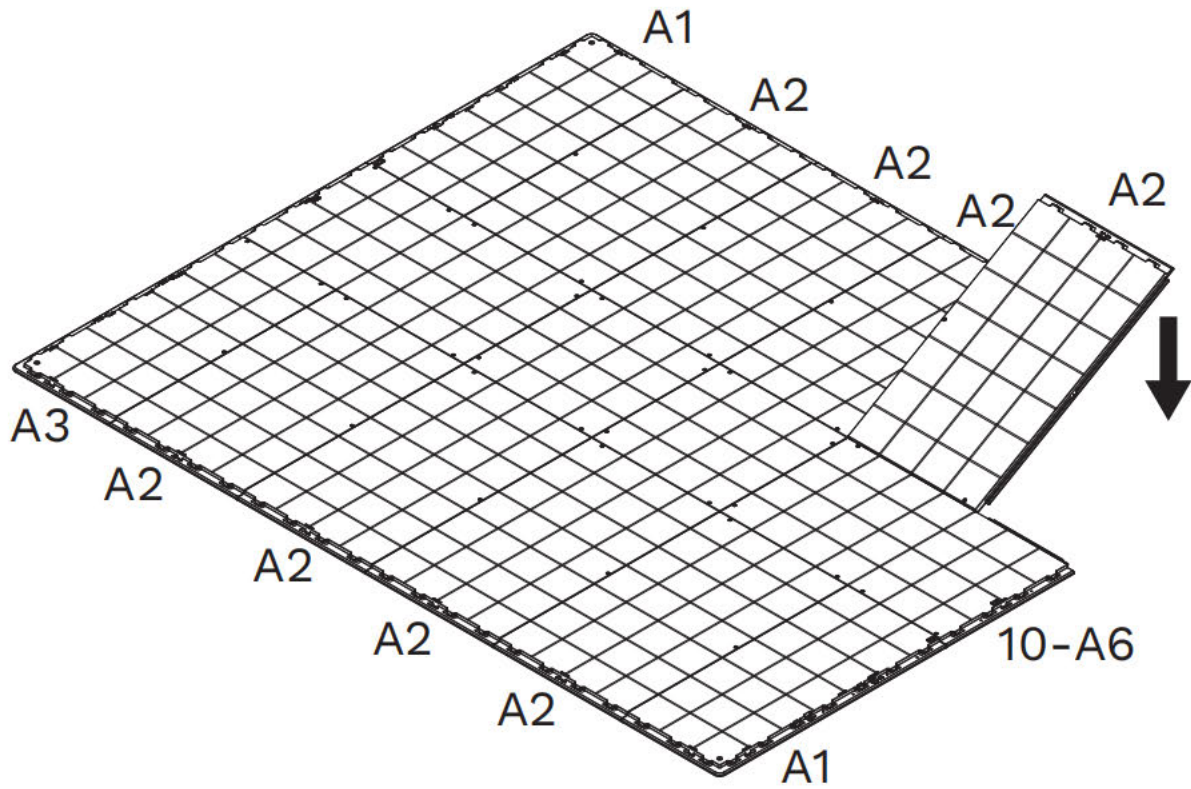


STEP 6

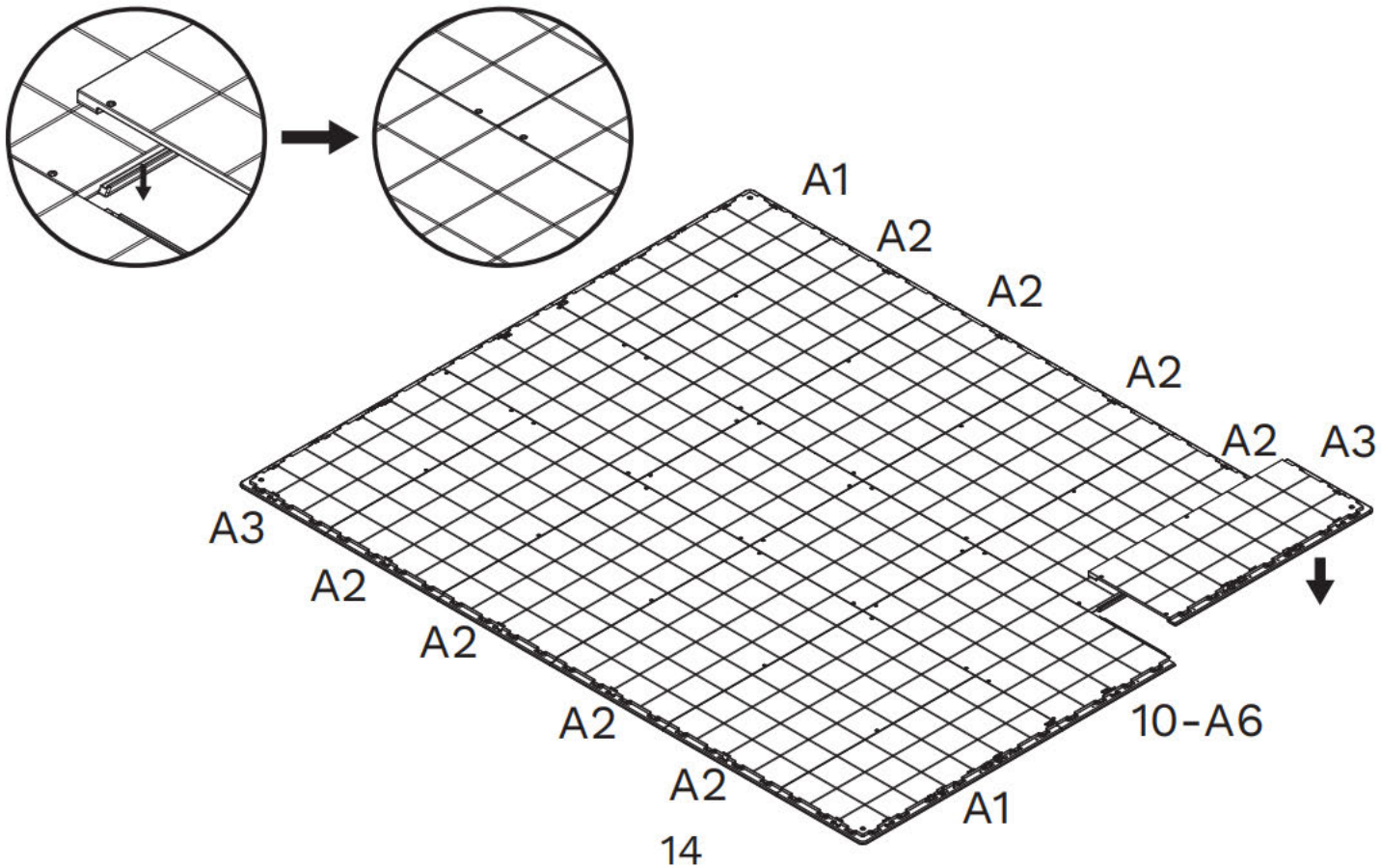


STEP 7

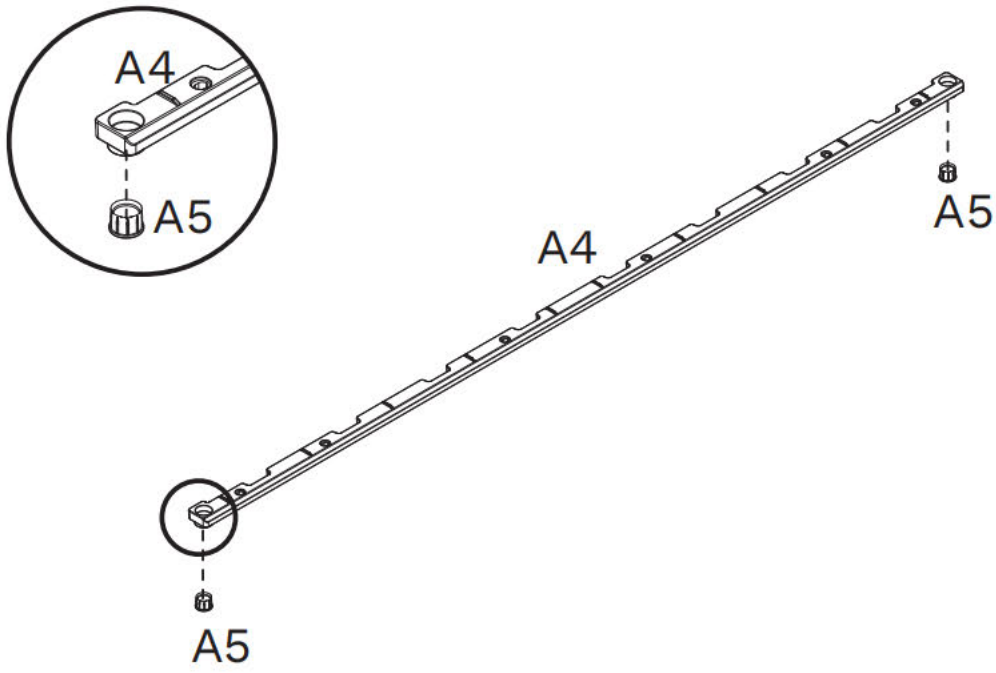
Refer to STEP 4 to Install A1 and 4 A2s in sequence.



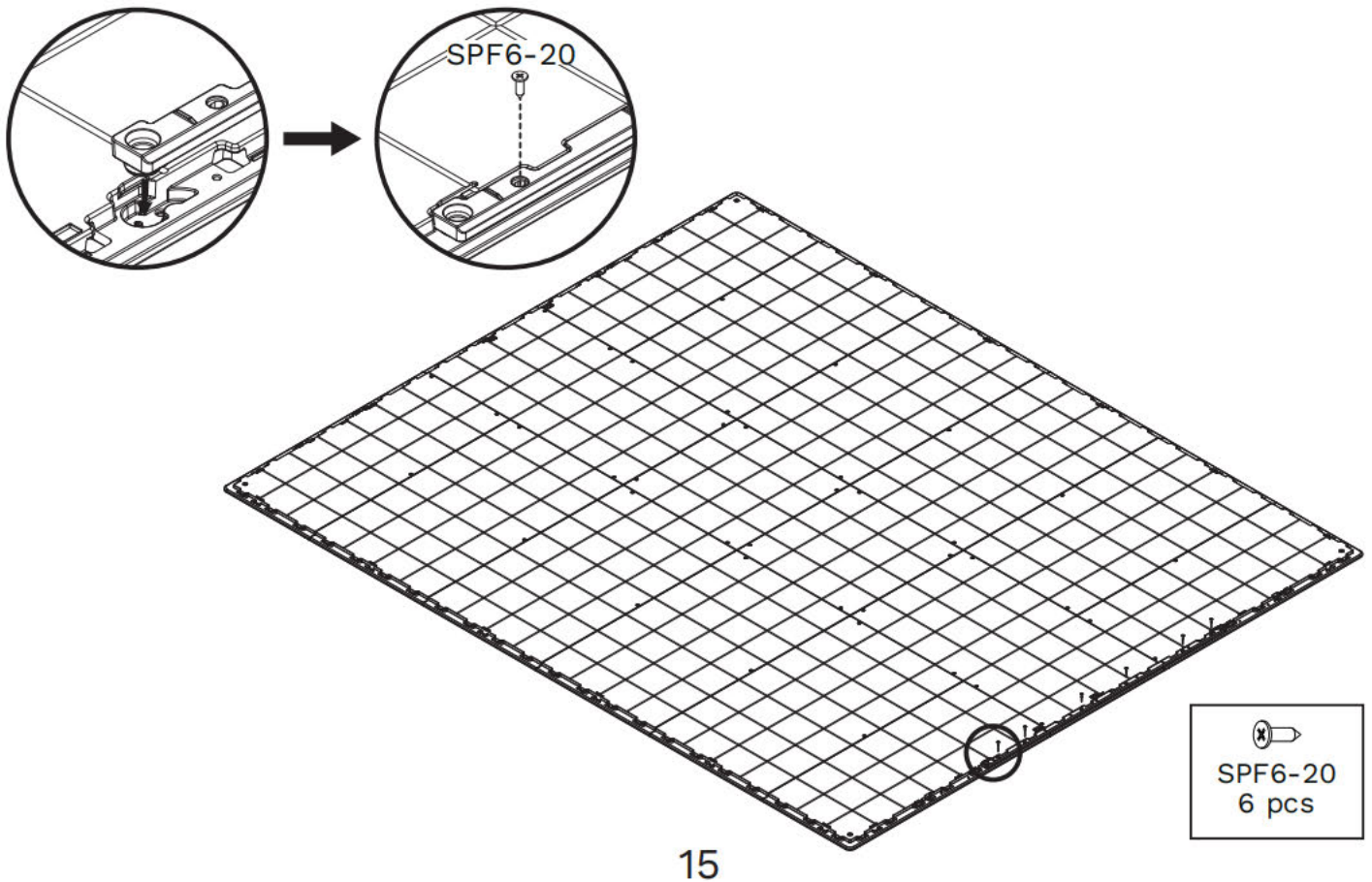
STEP 8



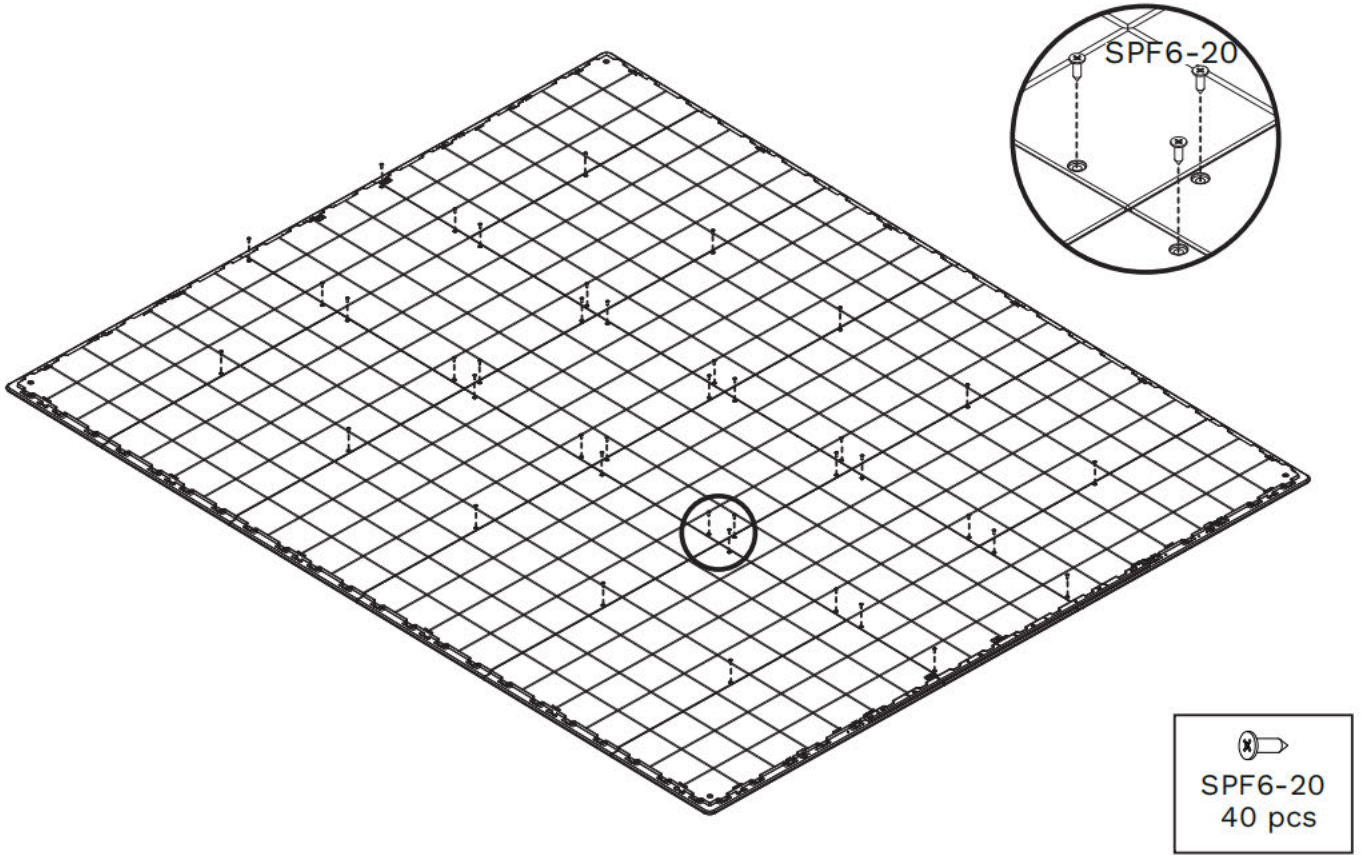
STEP 9



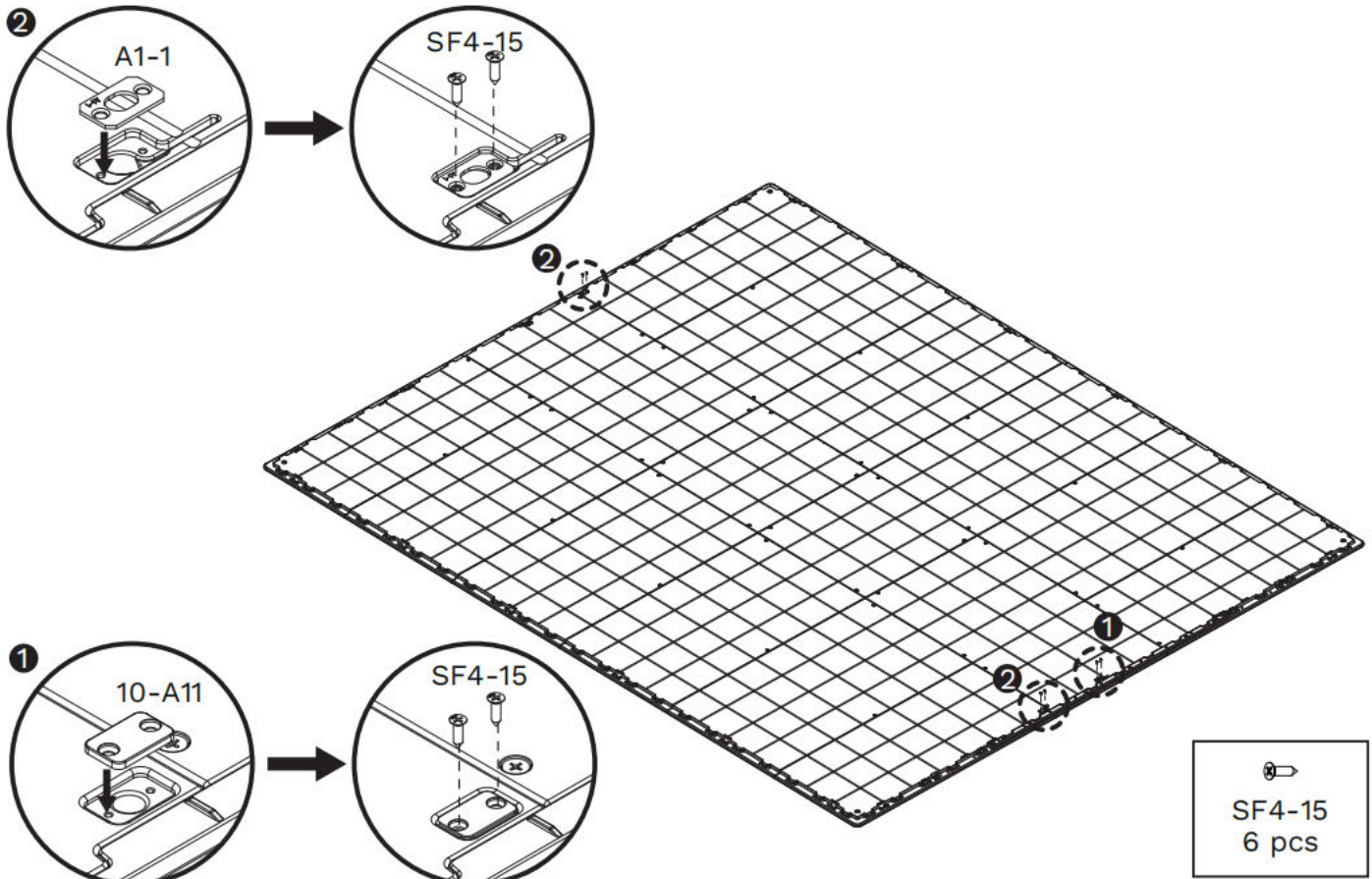
STEP 10



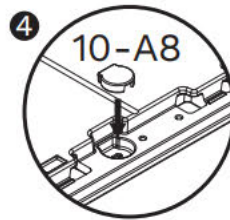
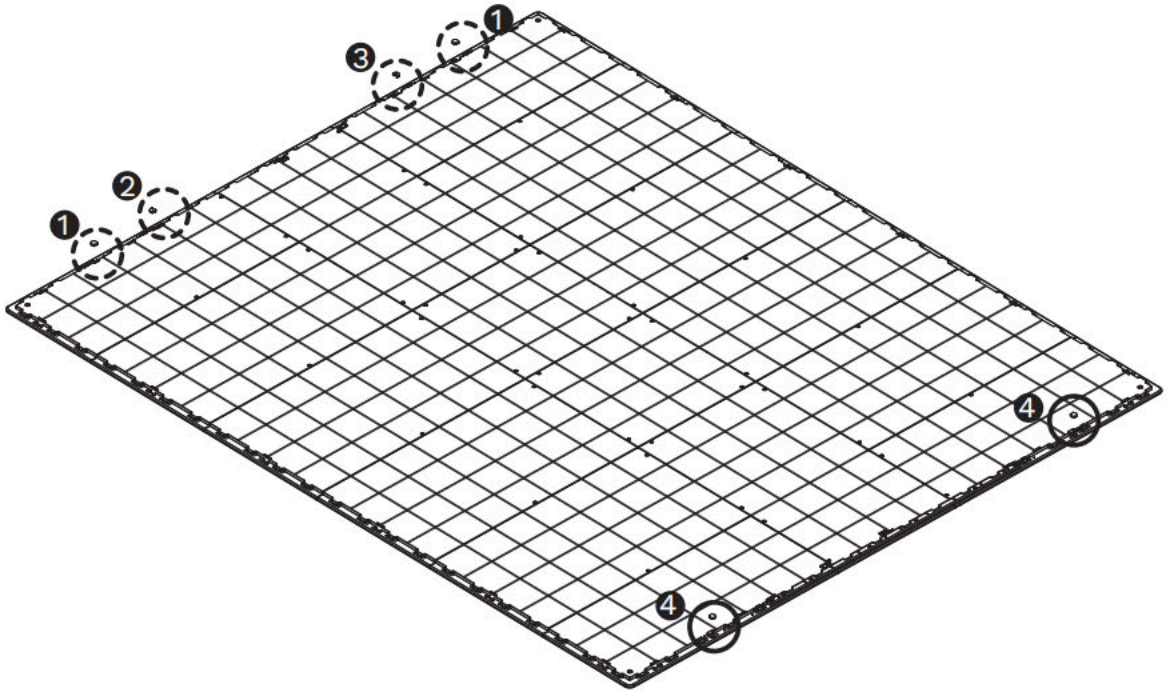
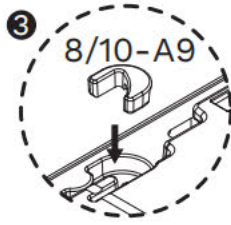
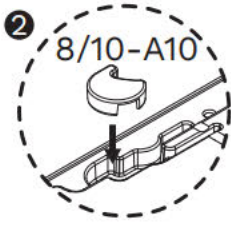
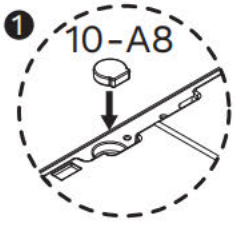
STEP 11



STEP 12

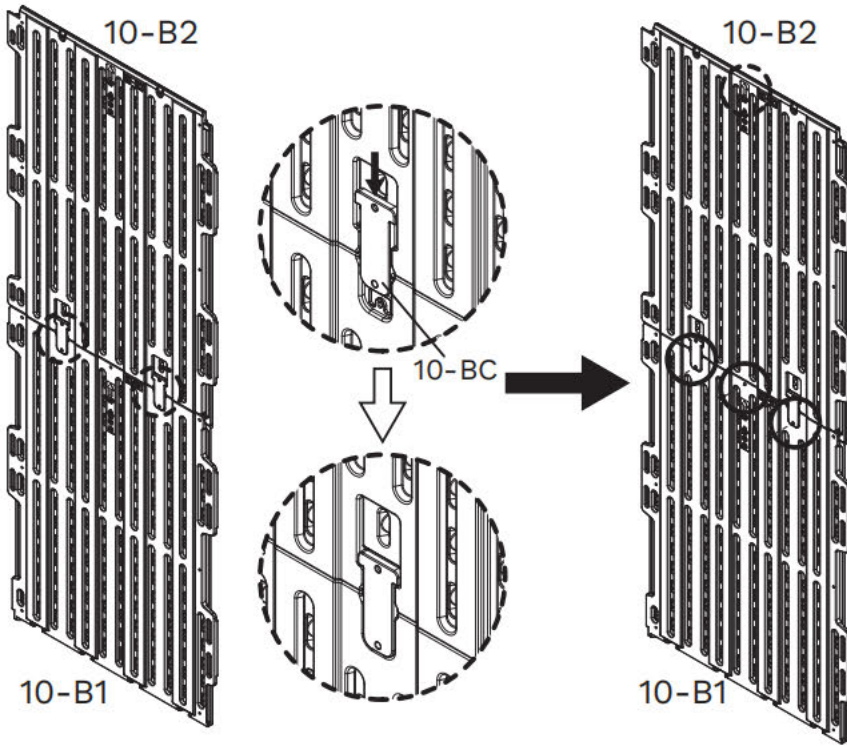


STEP 13

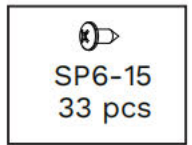


STEP 14

Please note the direction of the arrow when installing.

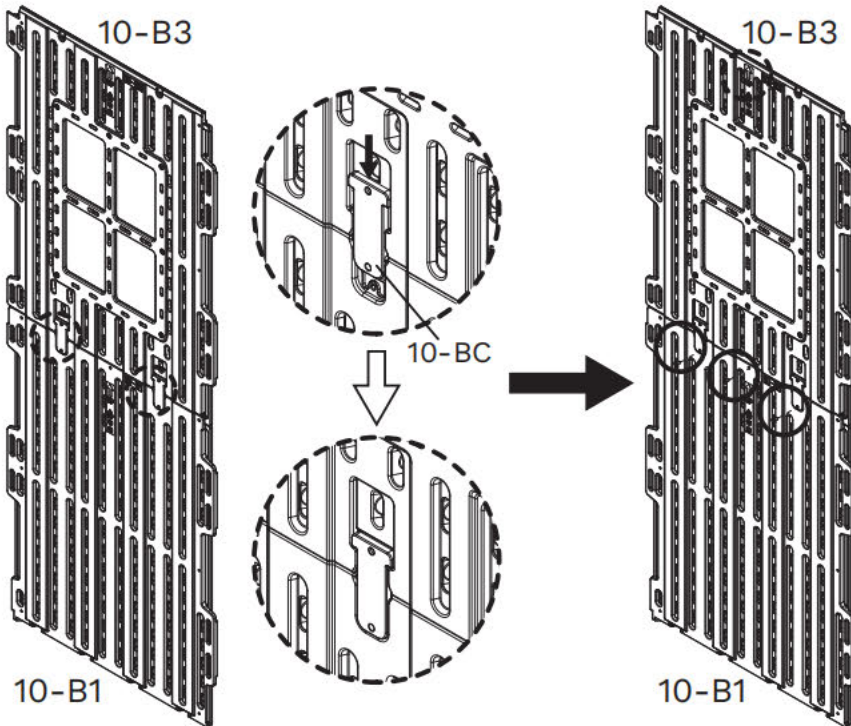


x11

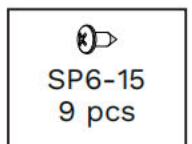


STEP 15

Please note the direction of the arrow when installing.

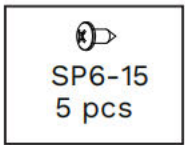
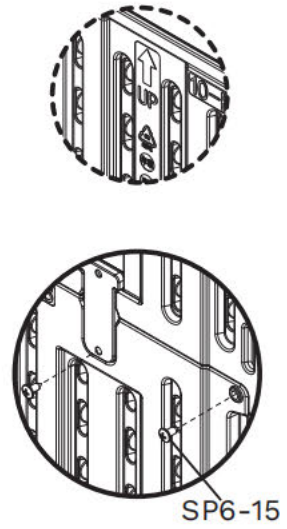
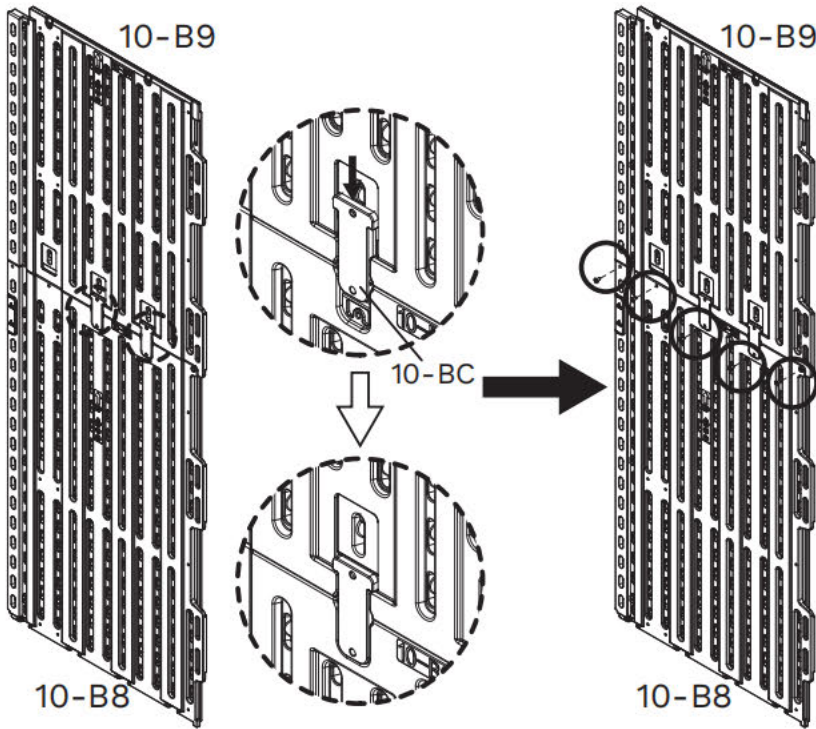


x3



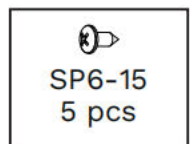
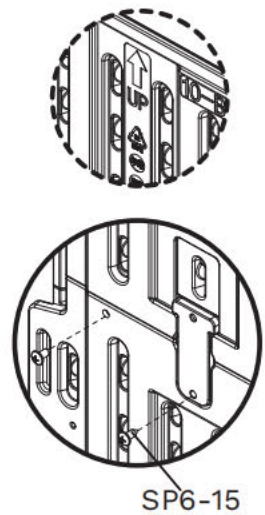
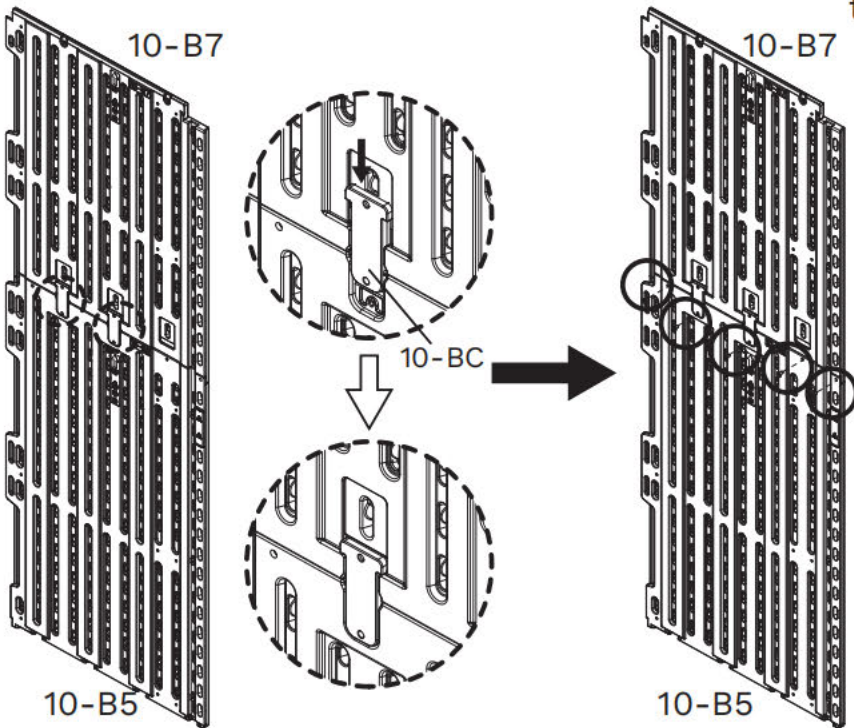
STEP 16

Please note the direction of the arrow when installing.



STEP 17

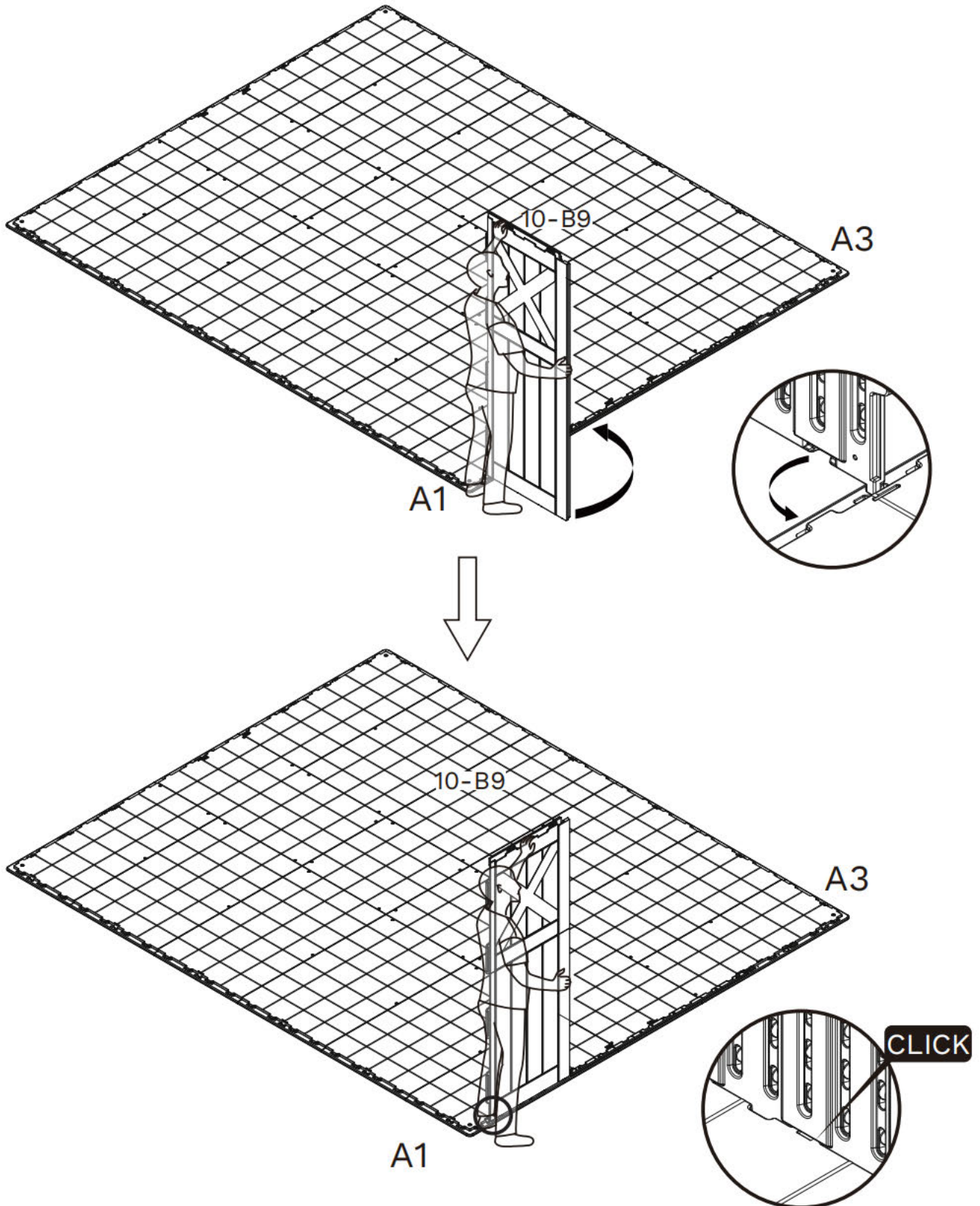
Please note the direction of the arrow when installing.



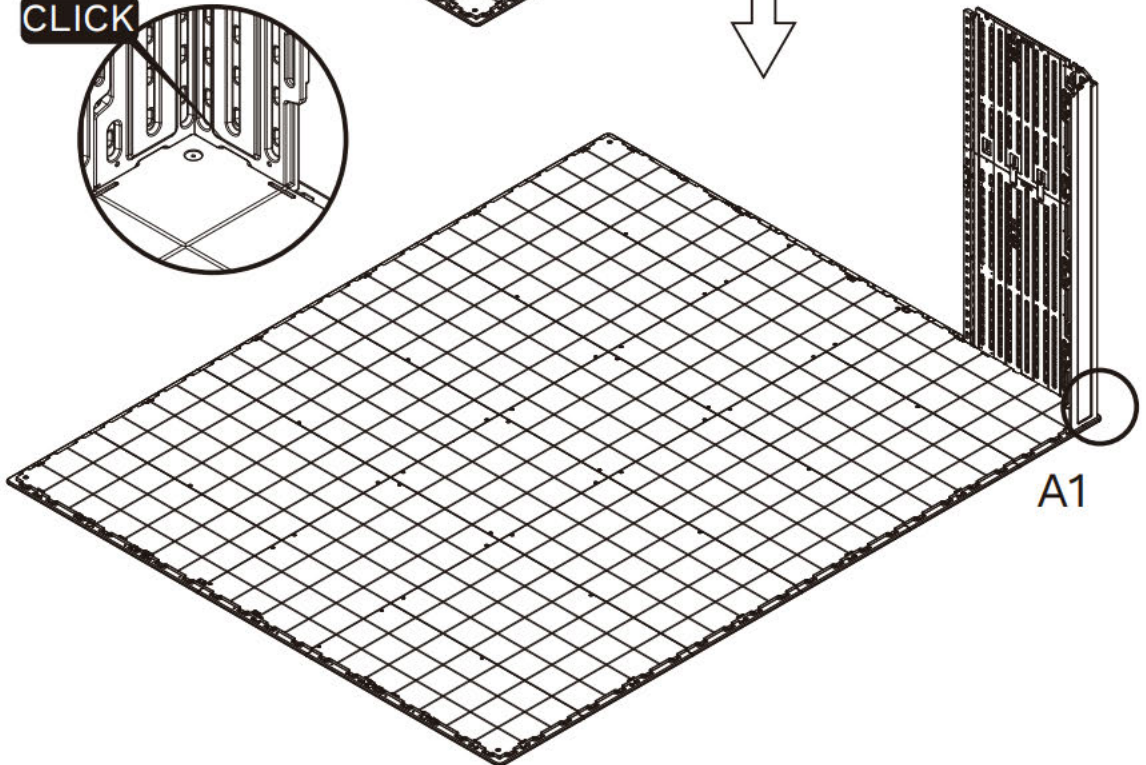
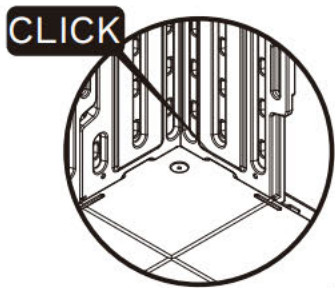
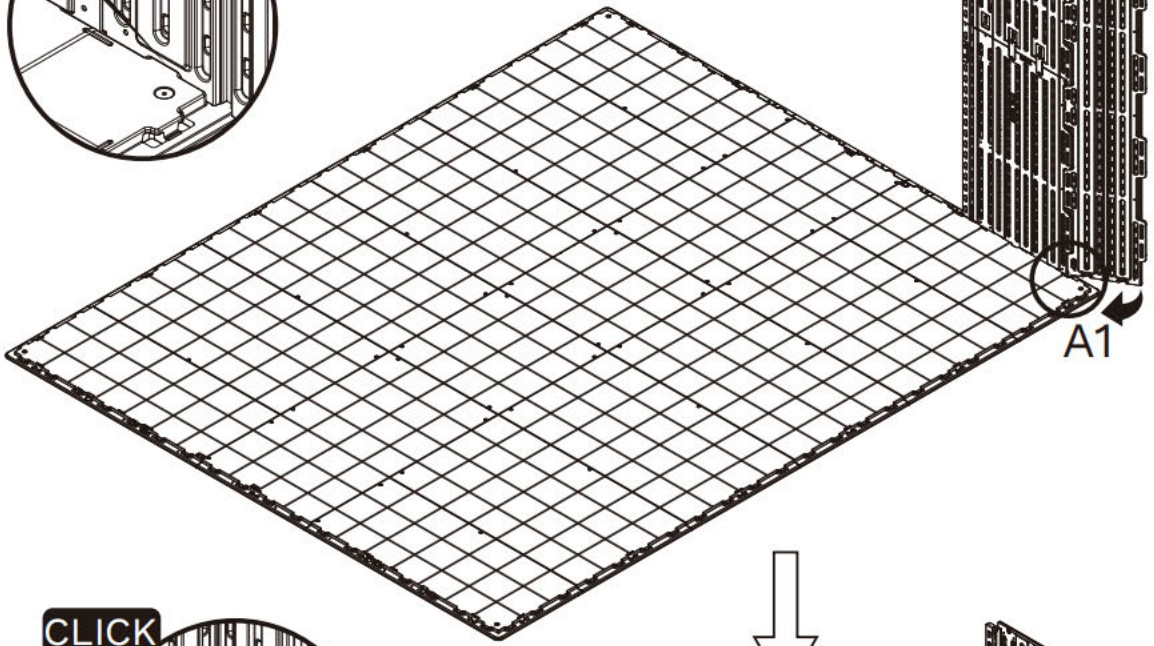
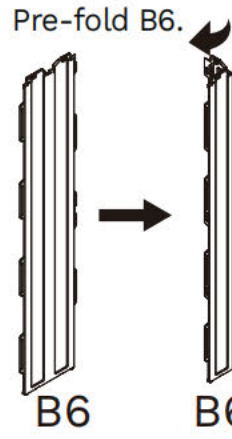
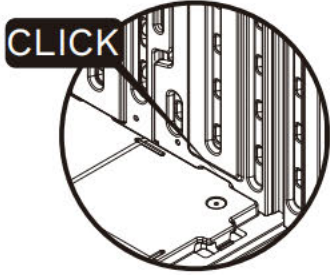
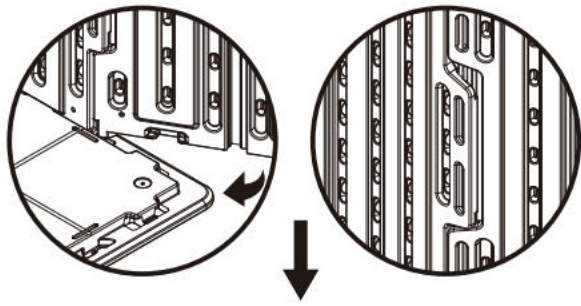
STEP 18

Place the assembled 10-B9 and 10-B8 at the corresponding position on the floor and rotate them into the groove.

Then Press 10-B9 to make the bottom of 10-B8 align with the floor, kick 10-B8 and snap it into place.



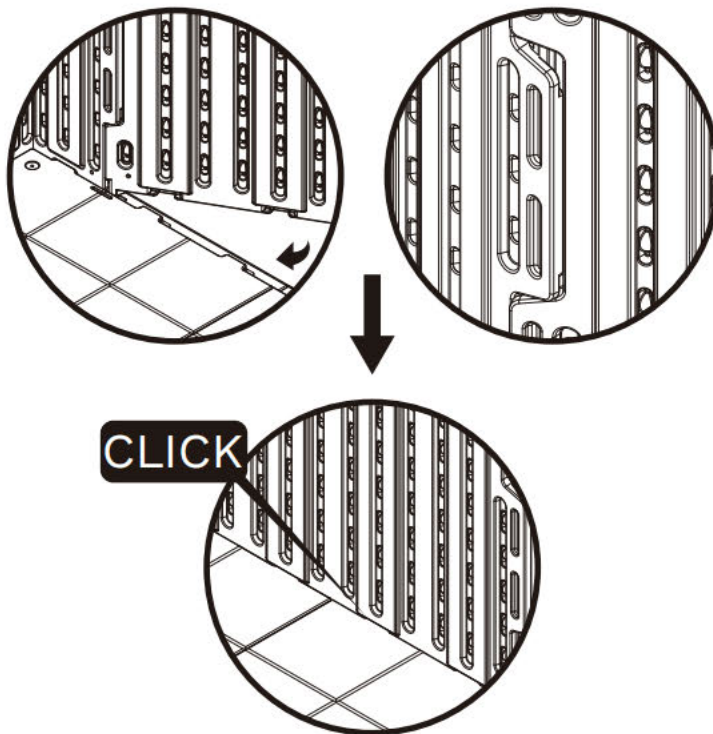
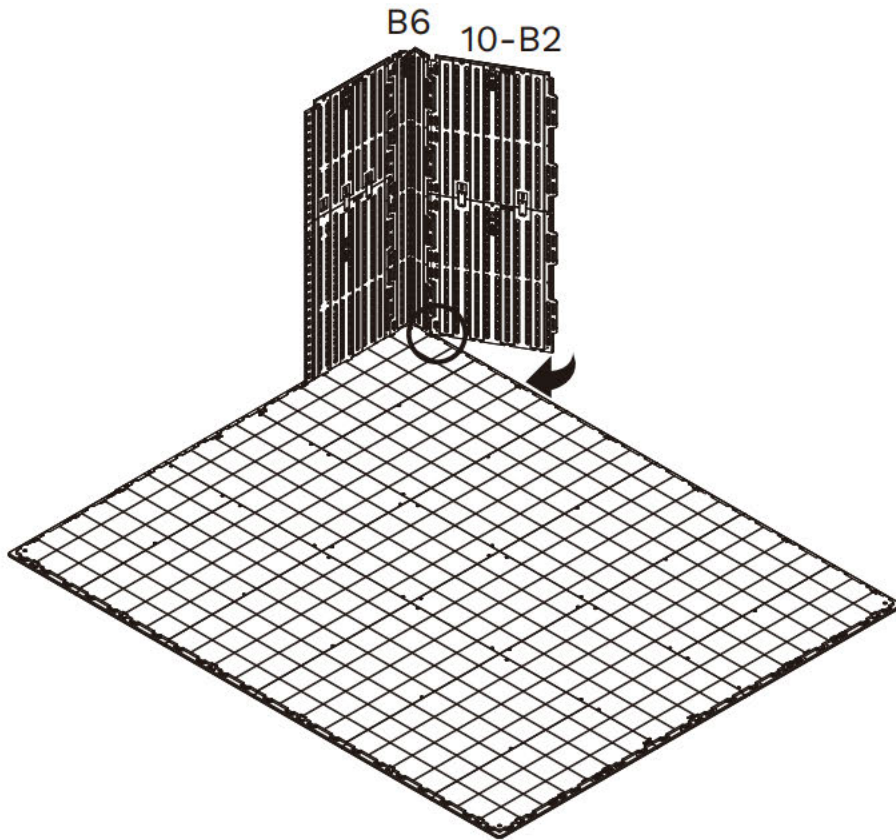
STEP 19



STEP 20

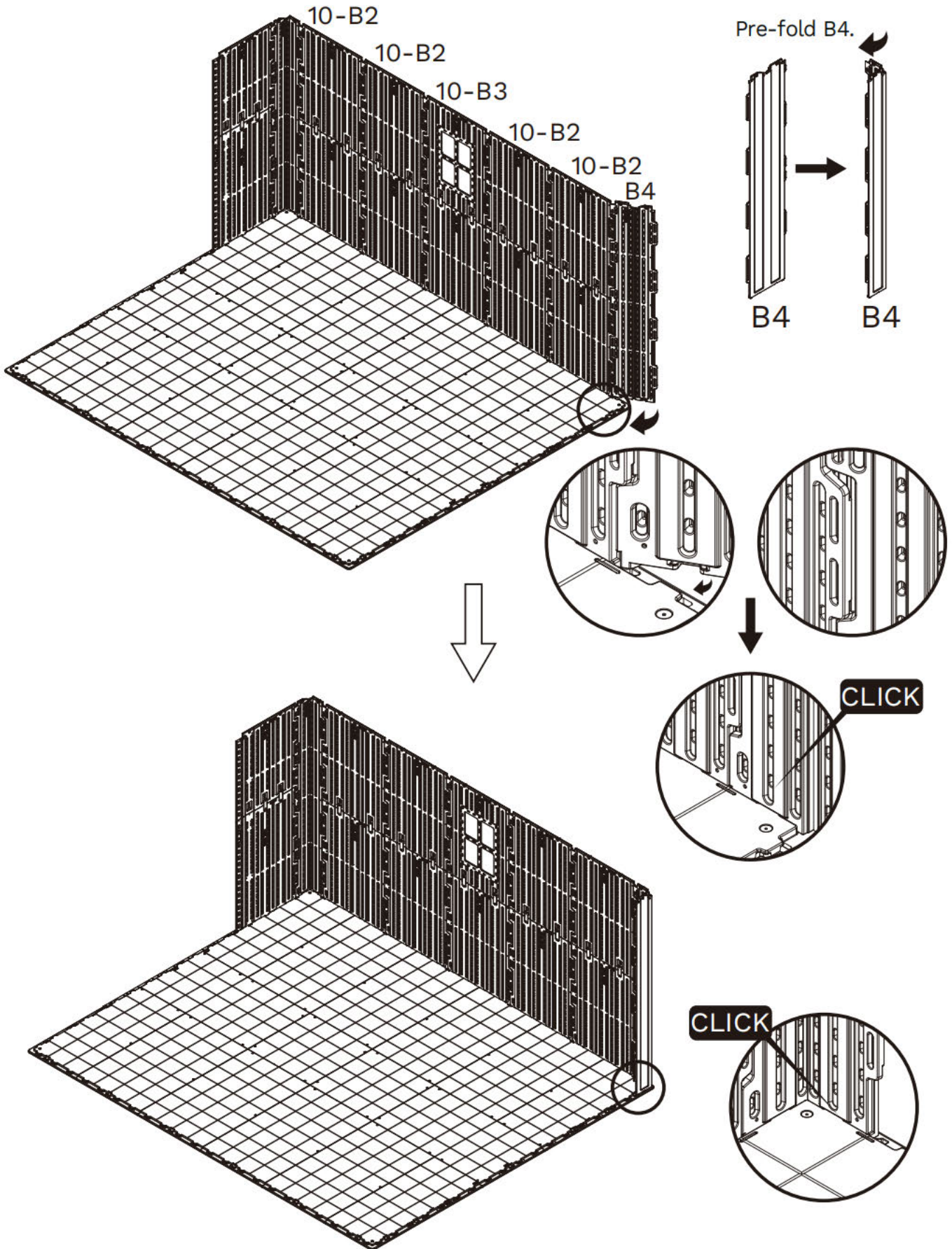
Place the assembled 10-B2 and 10-B1 at the corresponding position on the floor and rotate them into the groove.

Then press 10-B2 to make the bottom of 10-B1 align with the floor, kick 10-B1 and snap it into place.



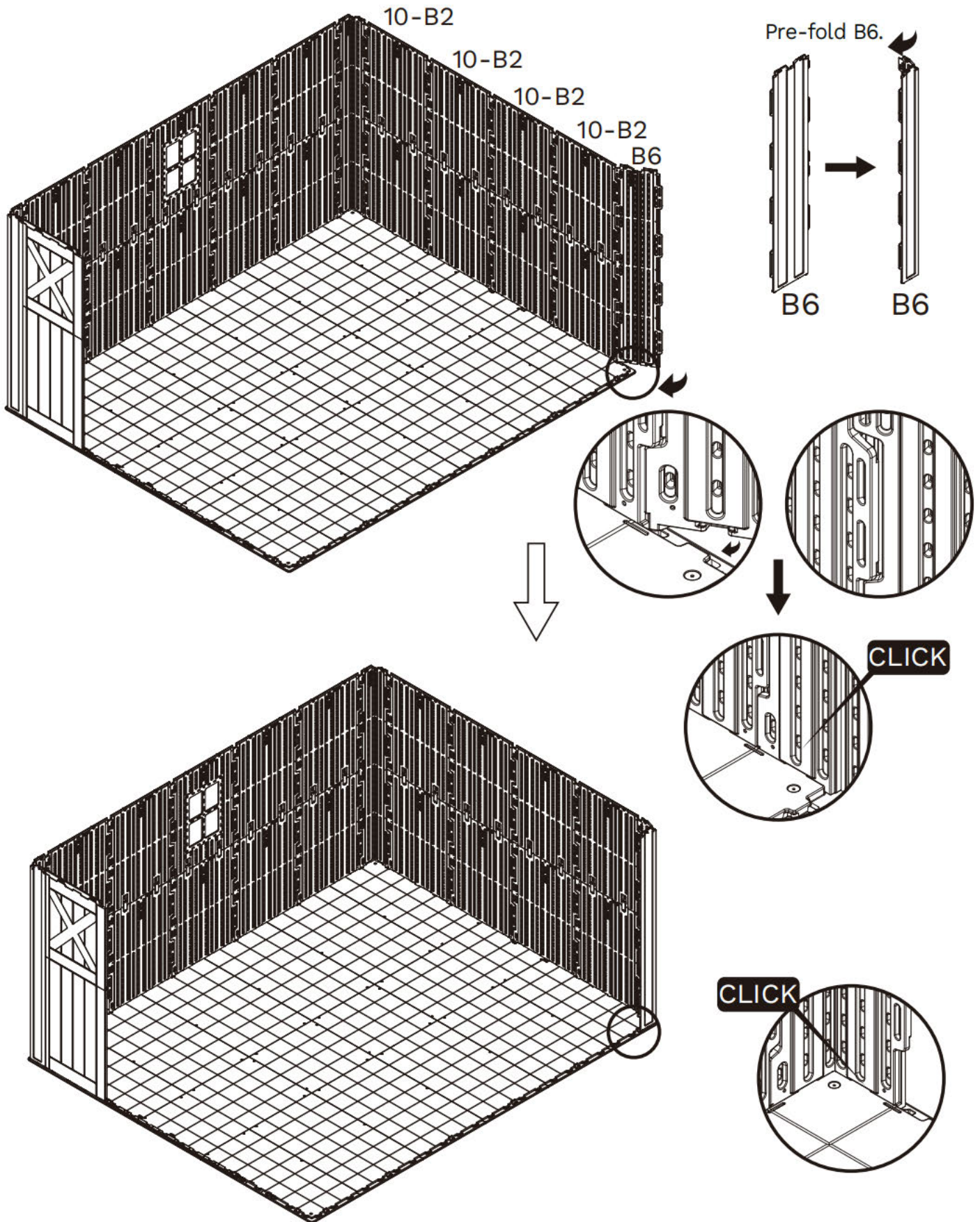
STEP 21

Please install the assembled 10-B2, 10-B2,10-B3, 10-B2, 10-B2 and B4 in order.



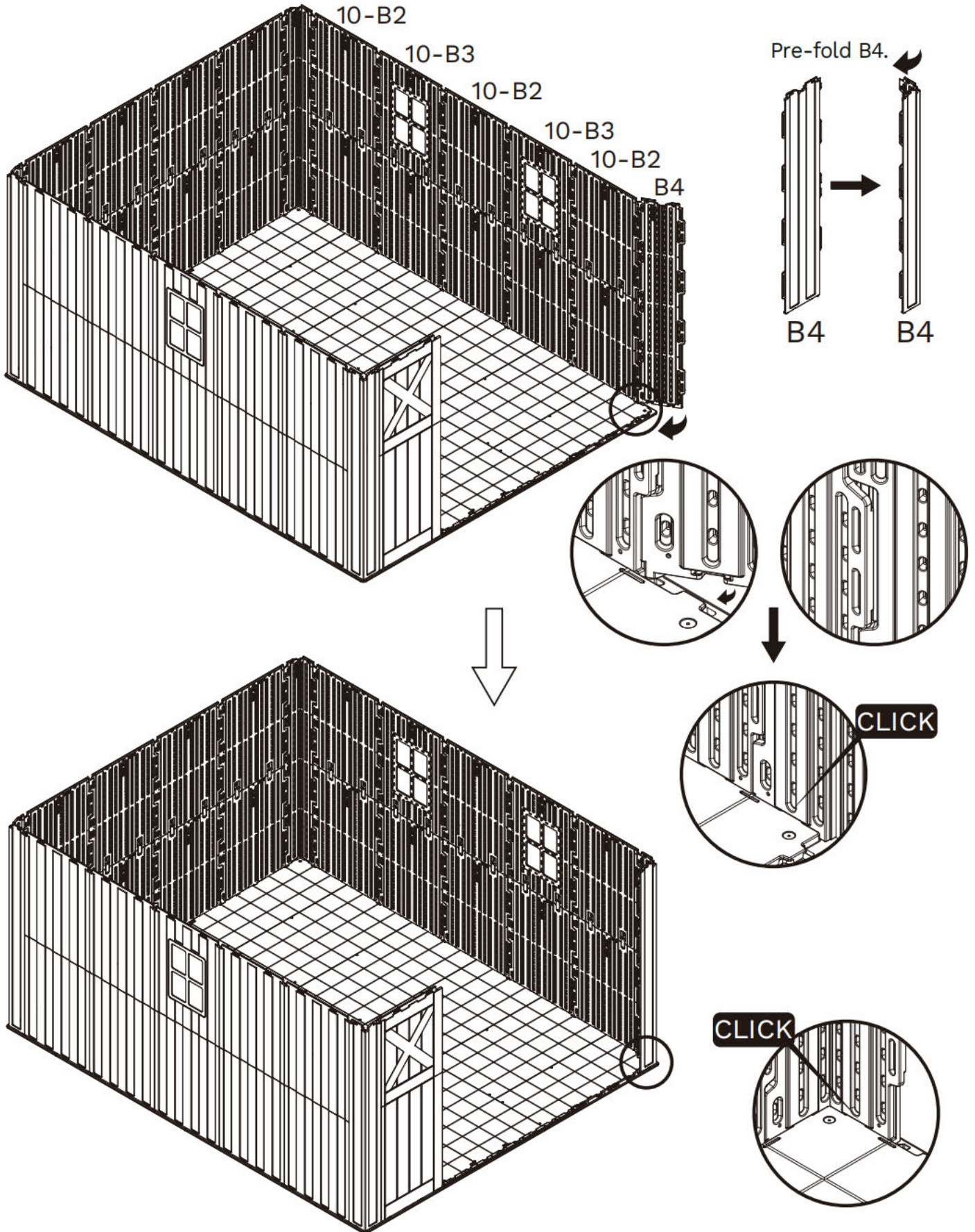
STEP 22

Please Install assembled 10-B2, 10-B2, 10-B2, 10-B2 and B6 in order.

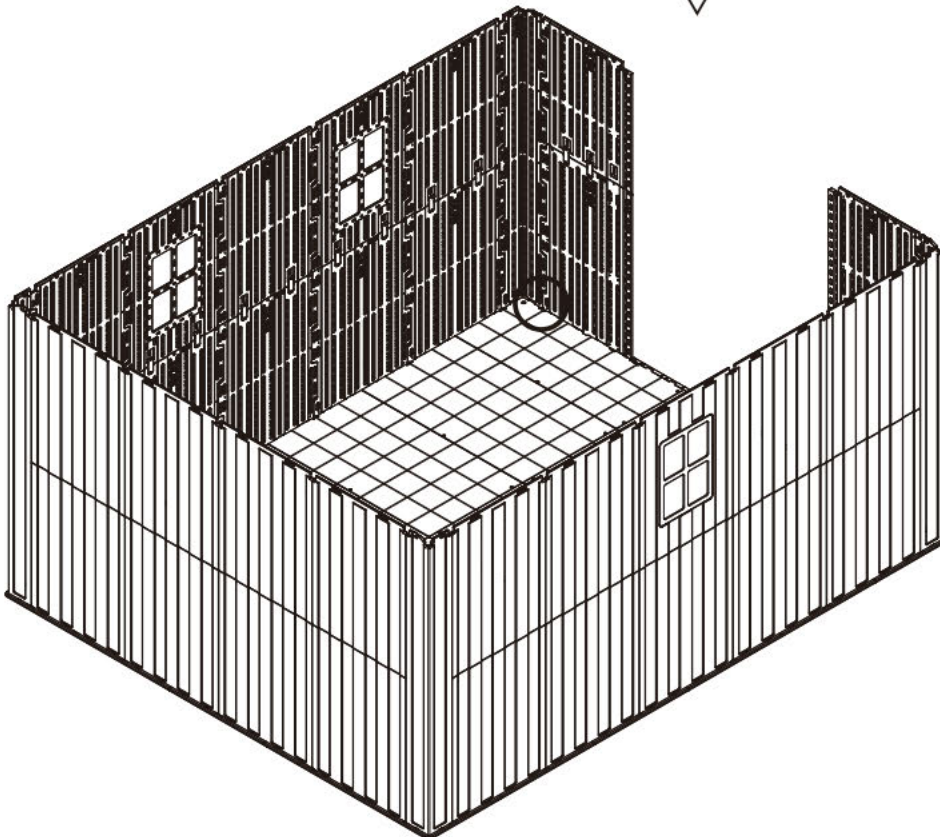
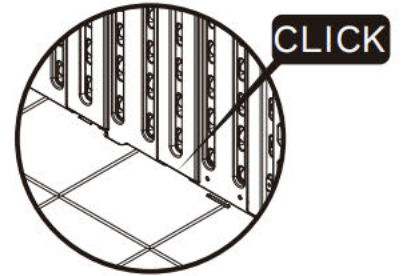
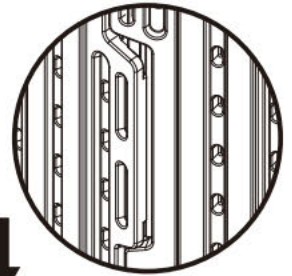
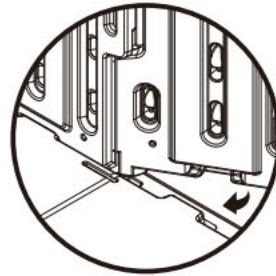
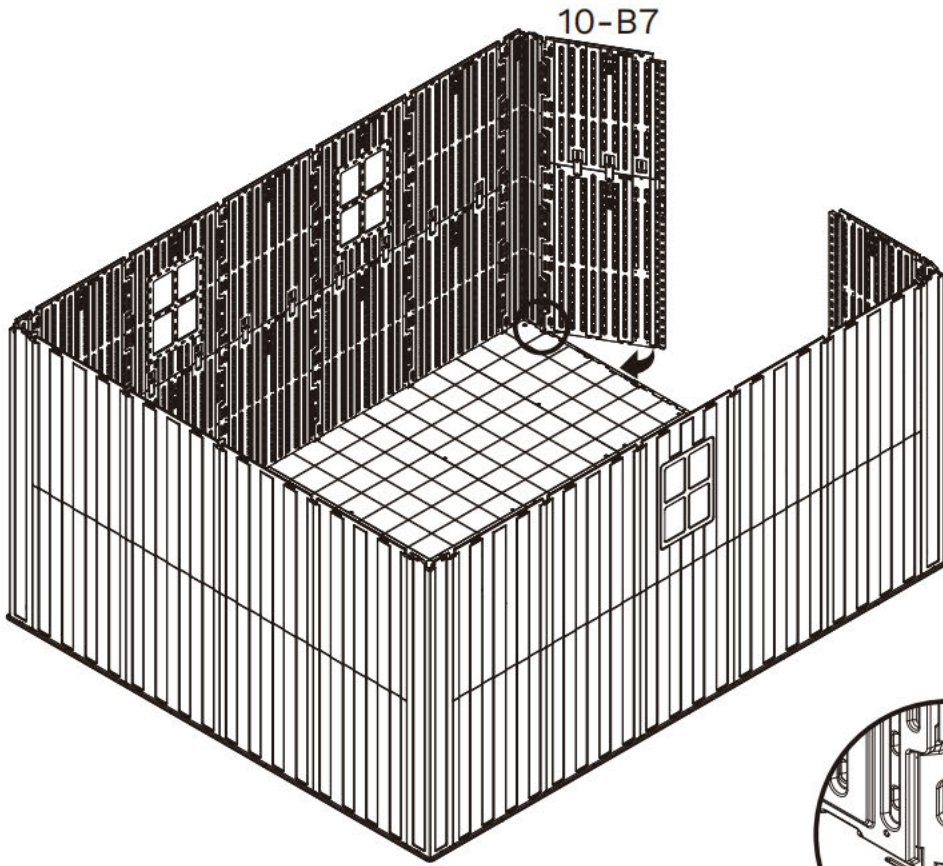


STEP 23

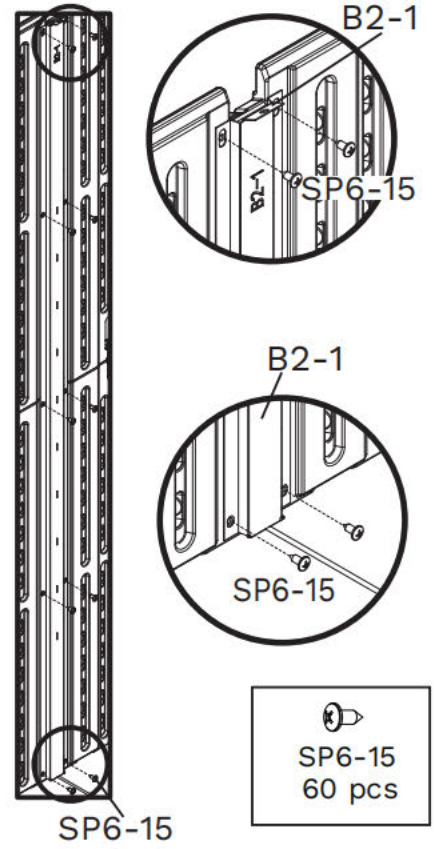
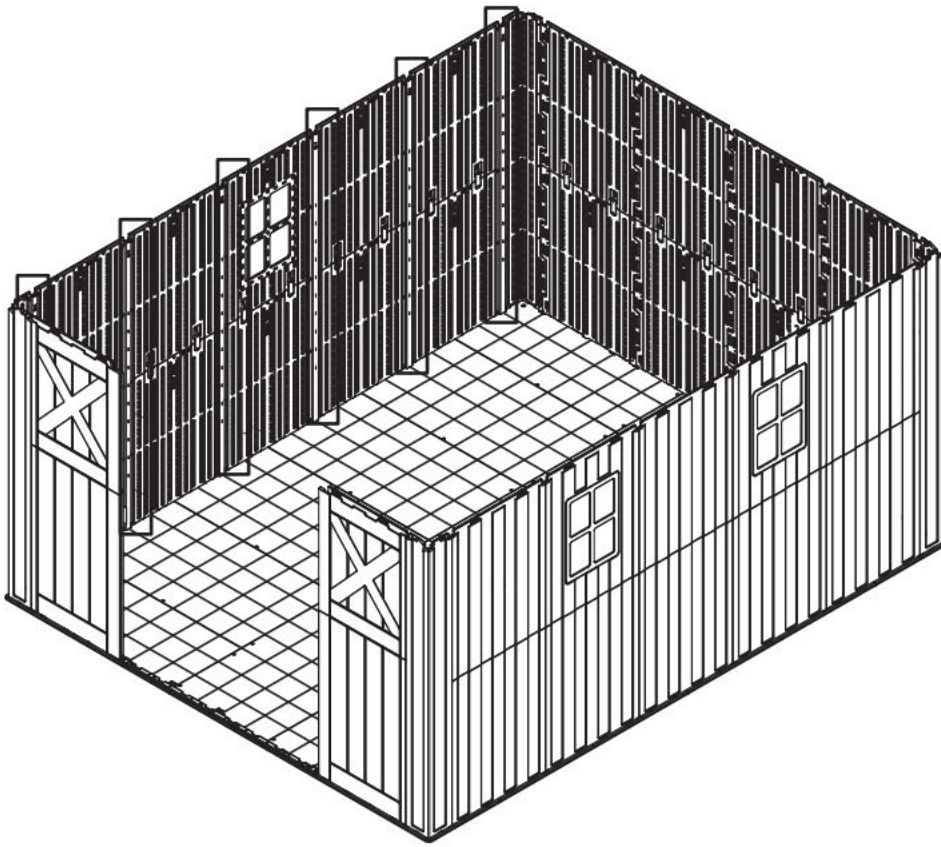
Please install the assembled 10-B2,10-B3, 10-B2,10-B3, 10-B2 and B4 in order.



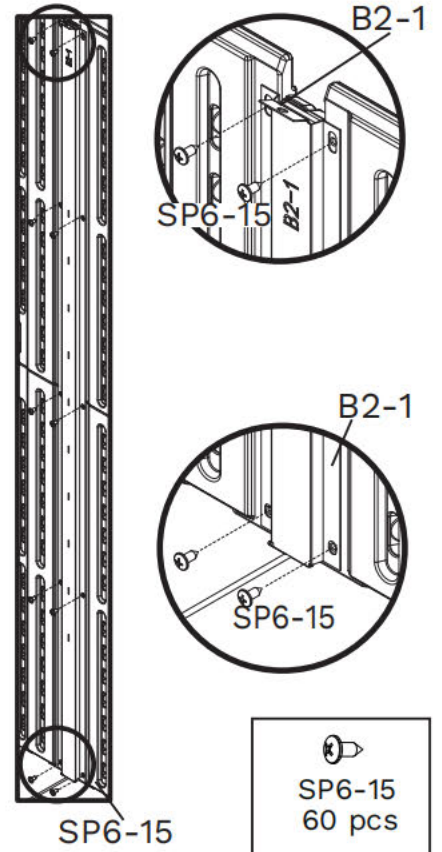
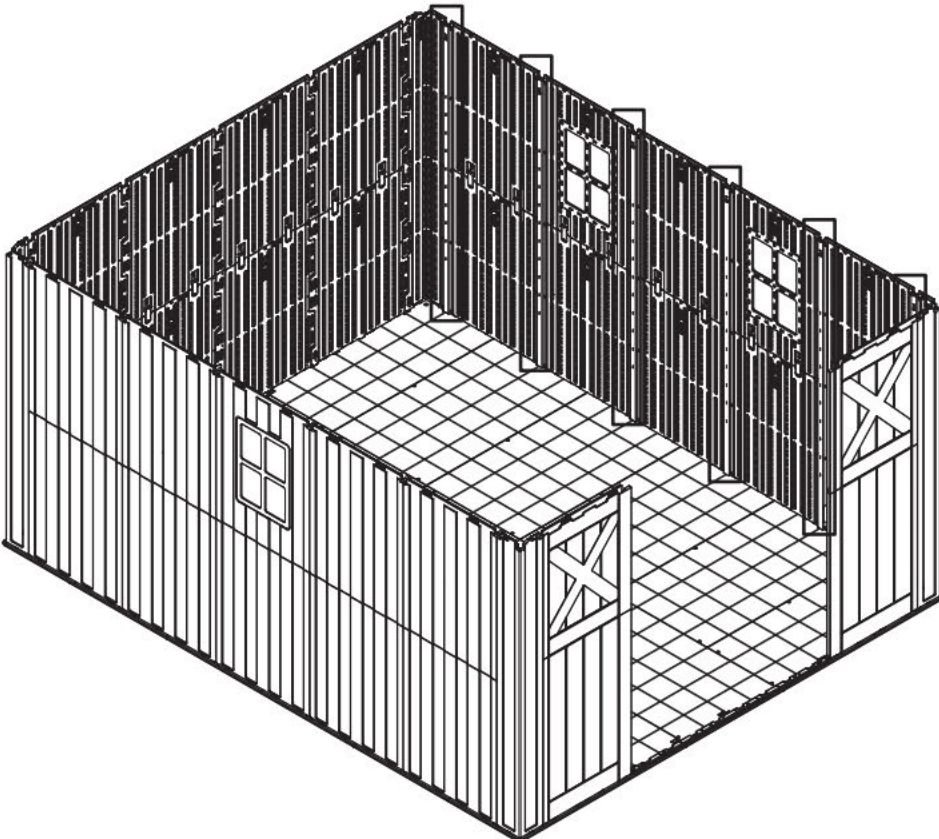
STEP 24



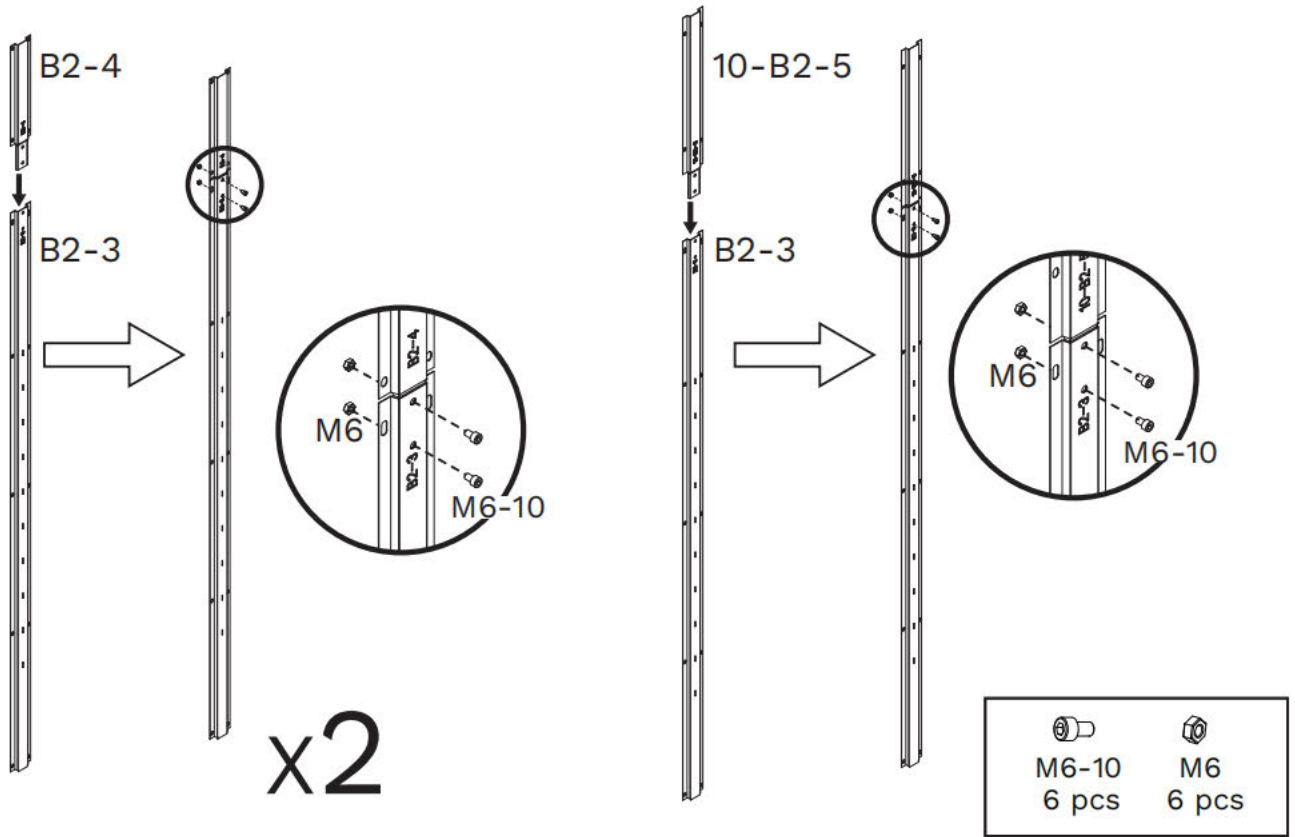
STEP 25



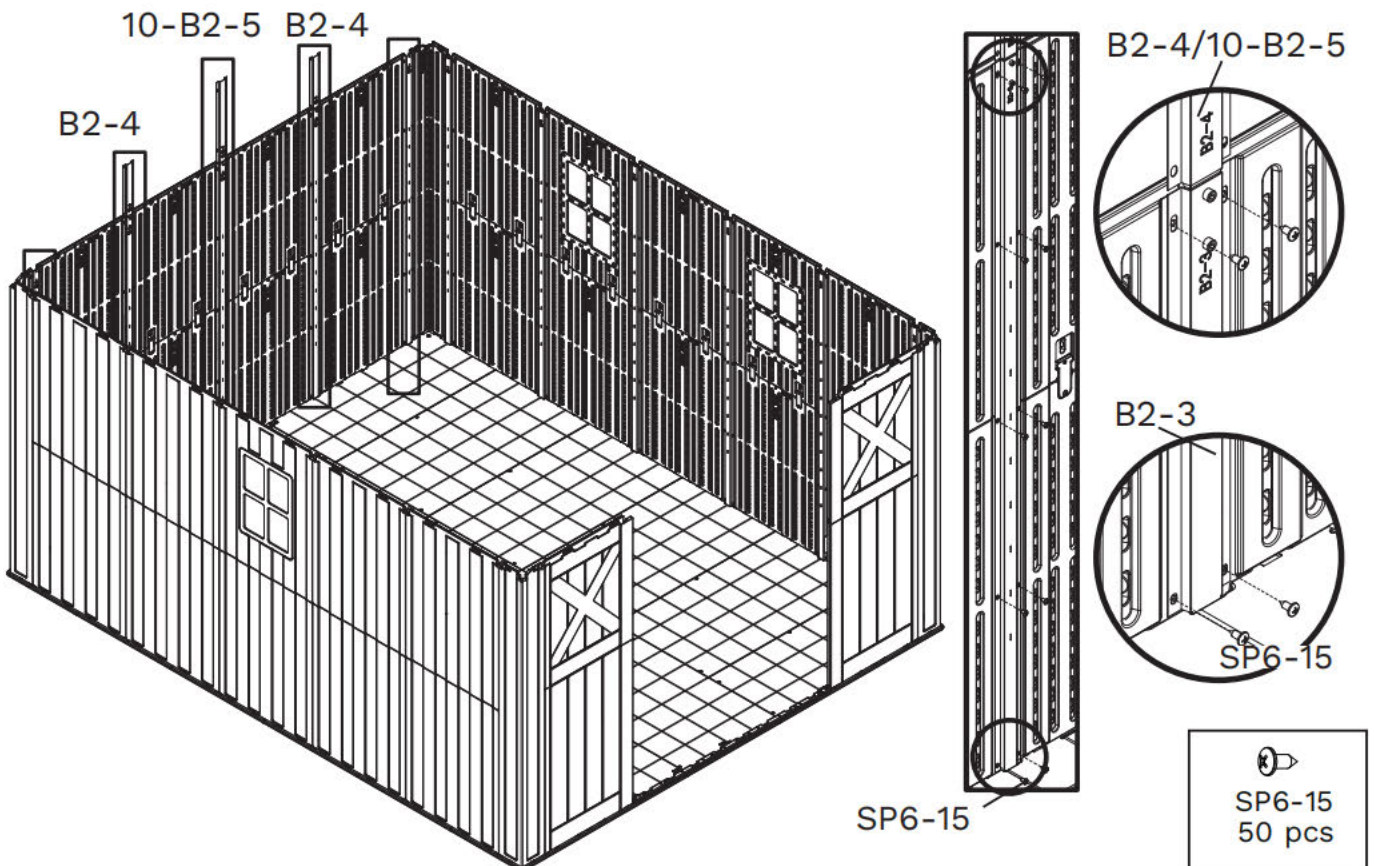
STEP 26



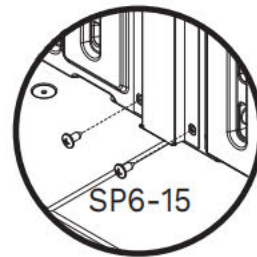
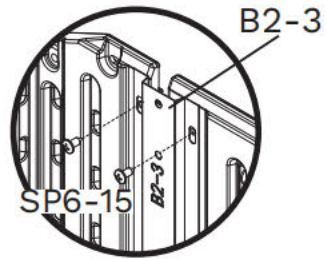
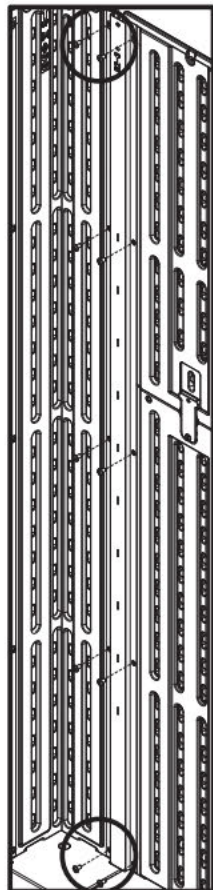
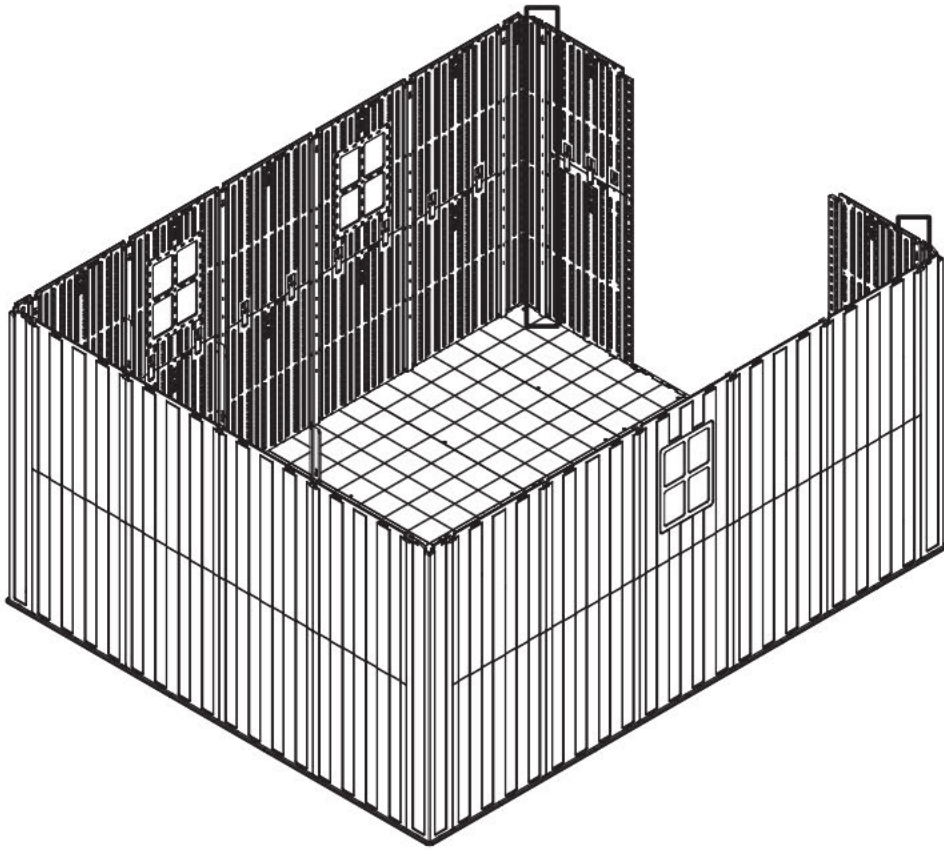
STEP 27




STEP 28



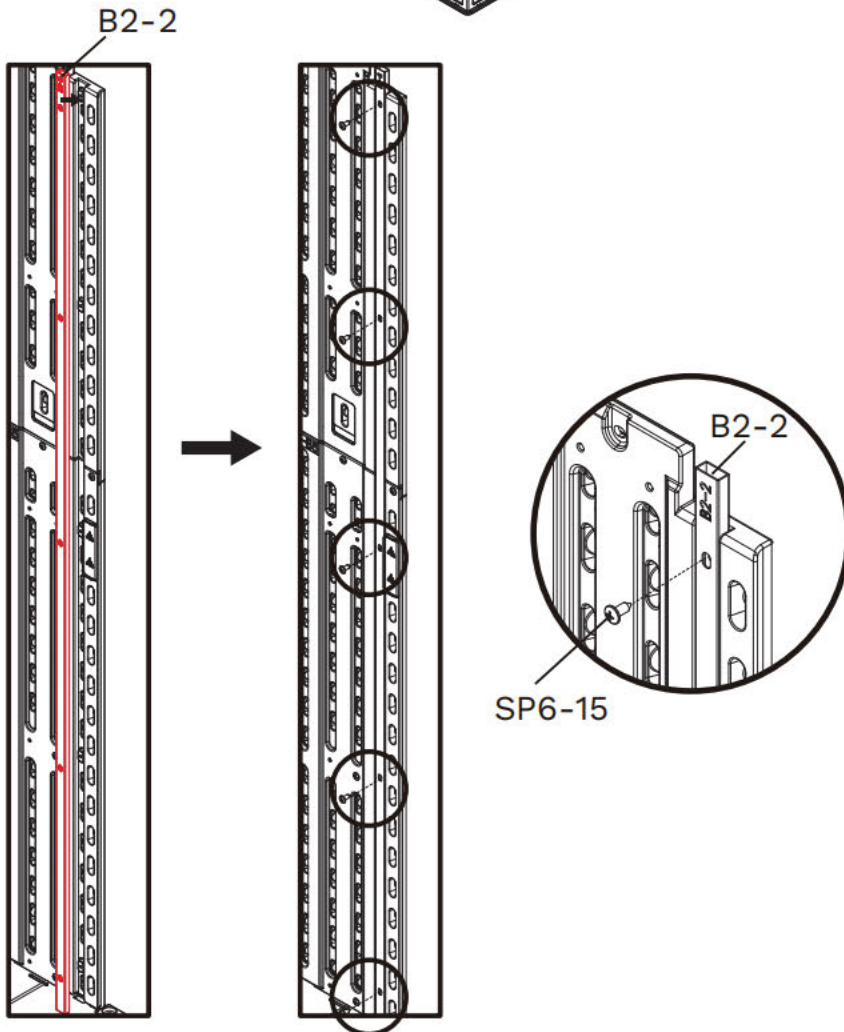
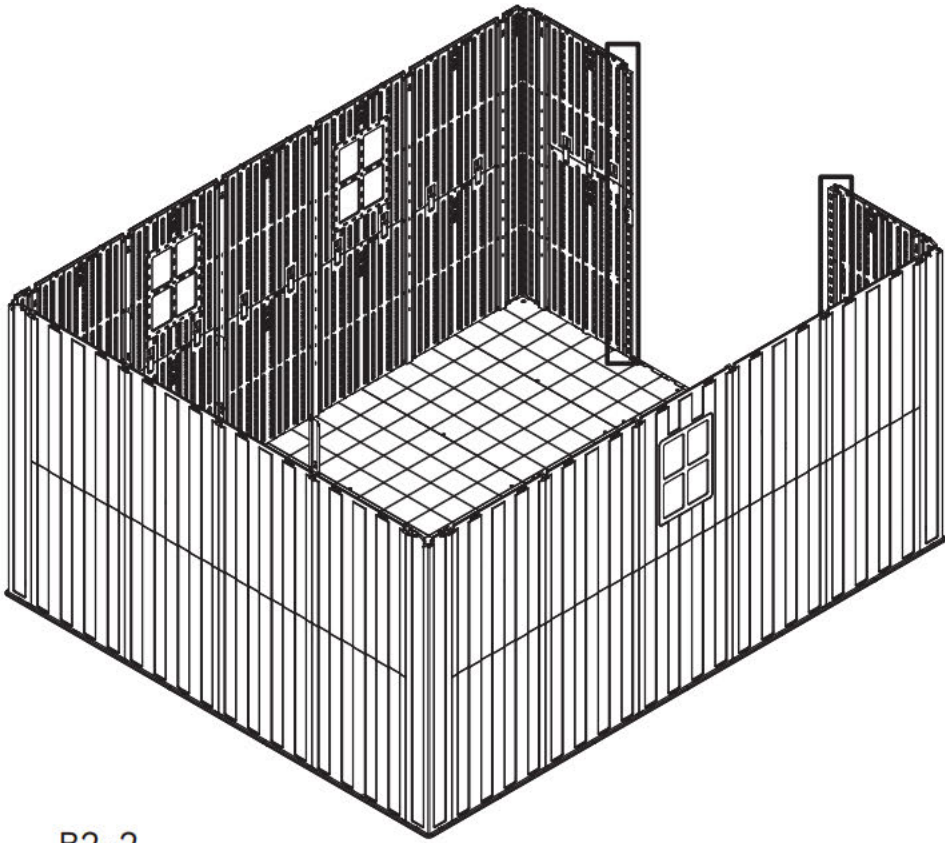
STEP 29




SP6-15

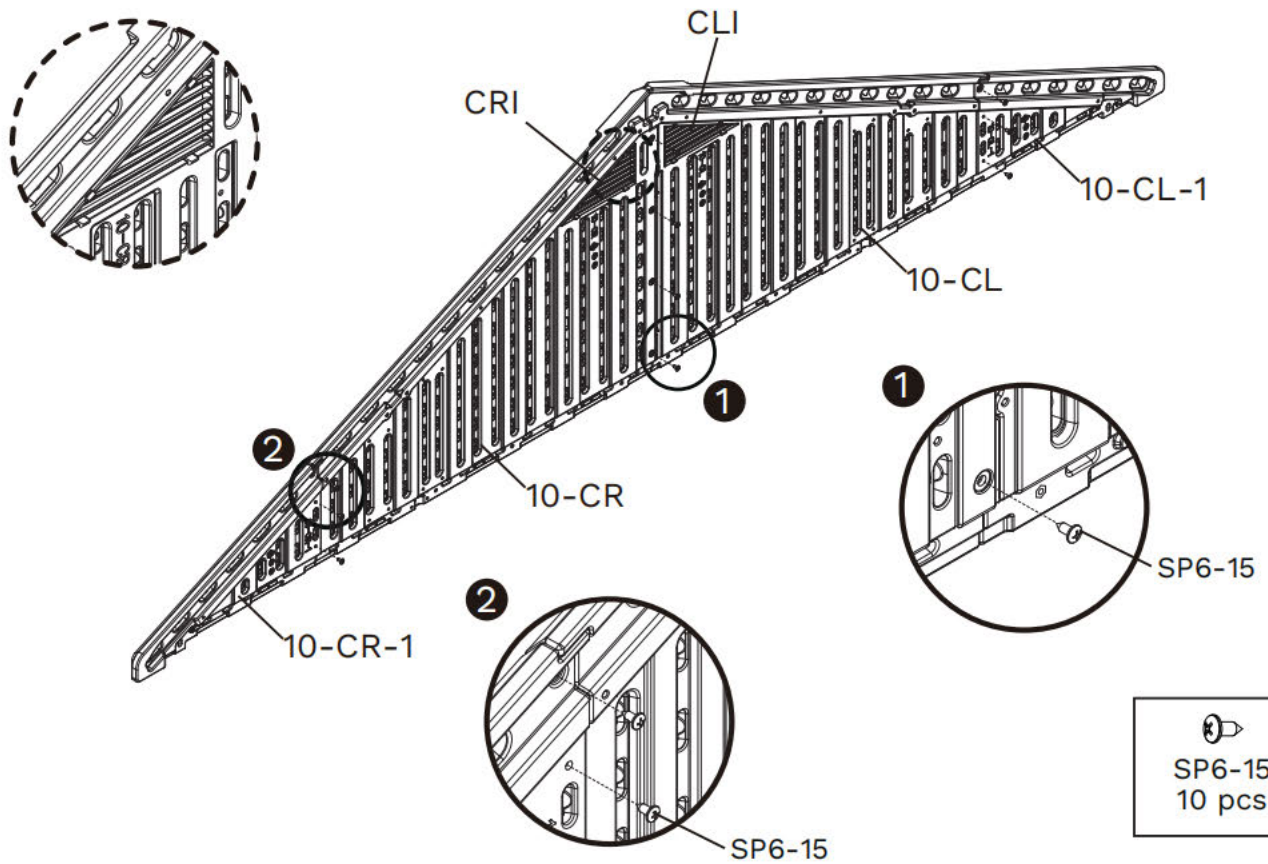

SP6-15
20 pcs

STEP 30



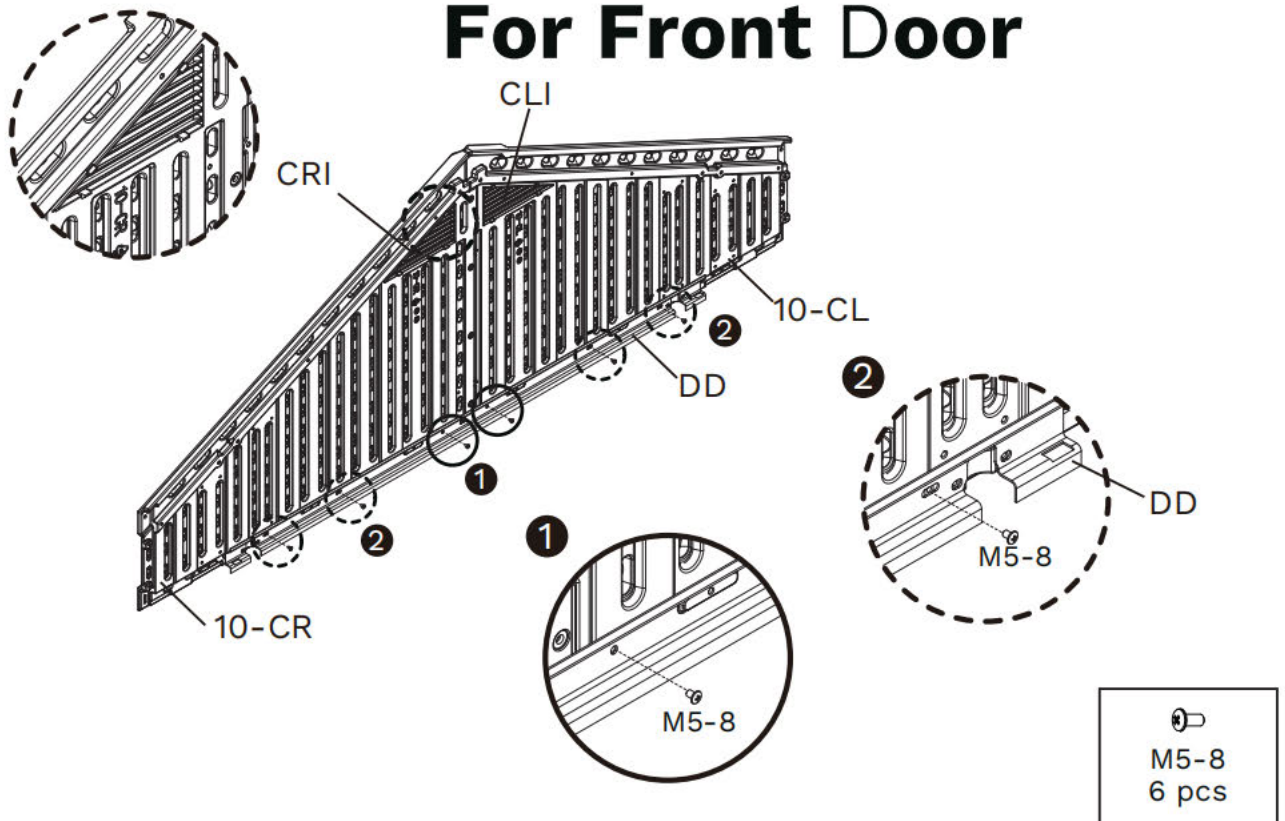

SP6-15
10 pcs

STEP 31



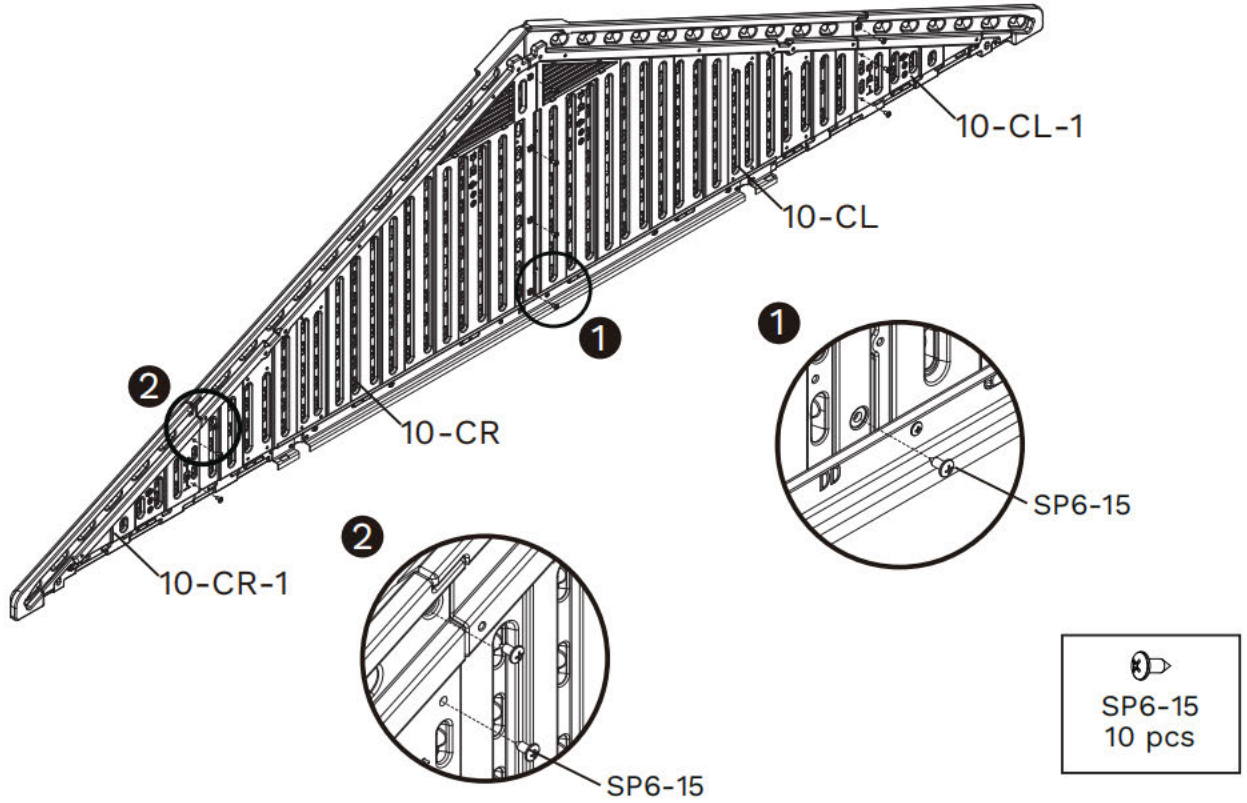
STEP 32

For Front Door

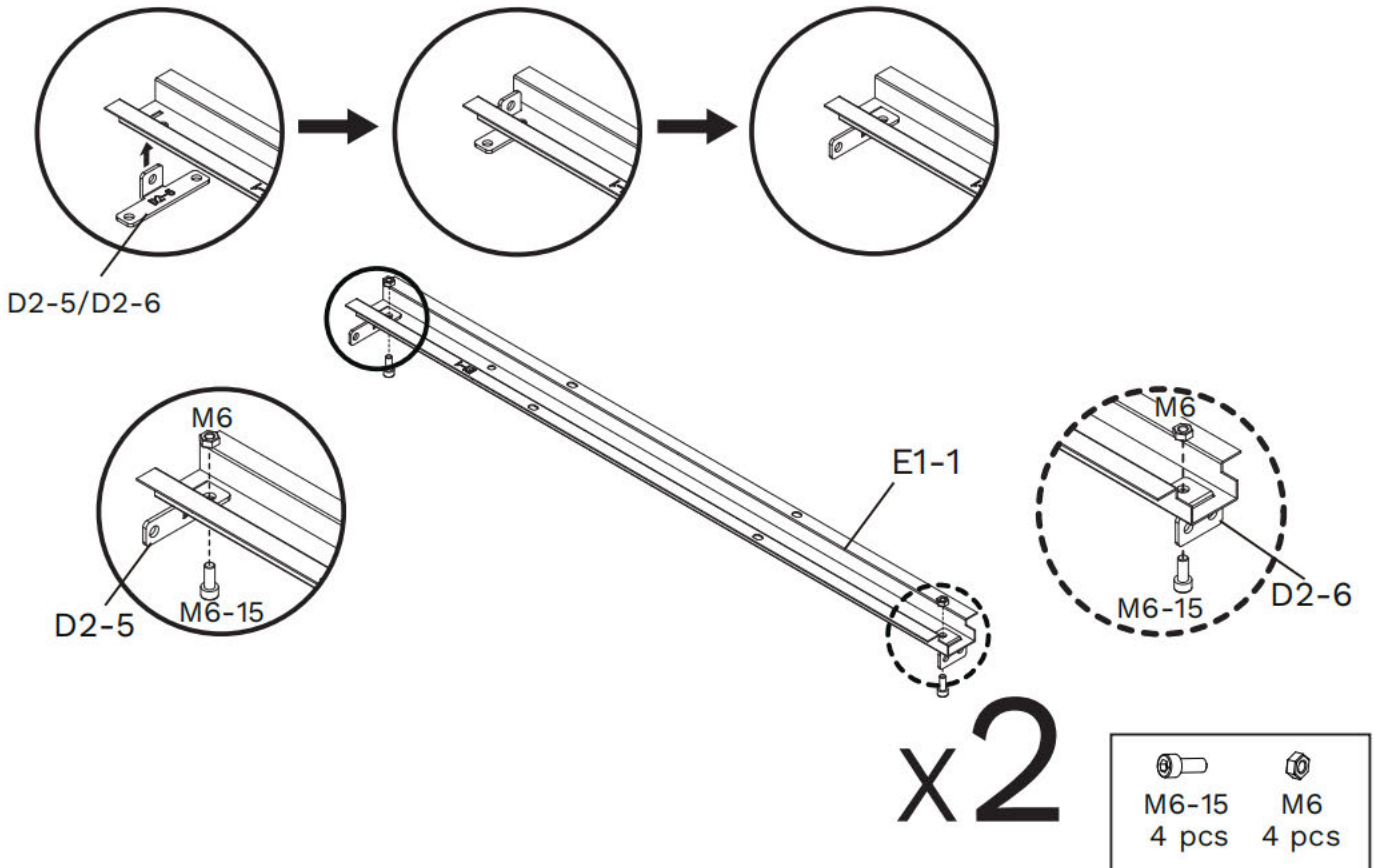


STEP 33

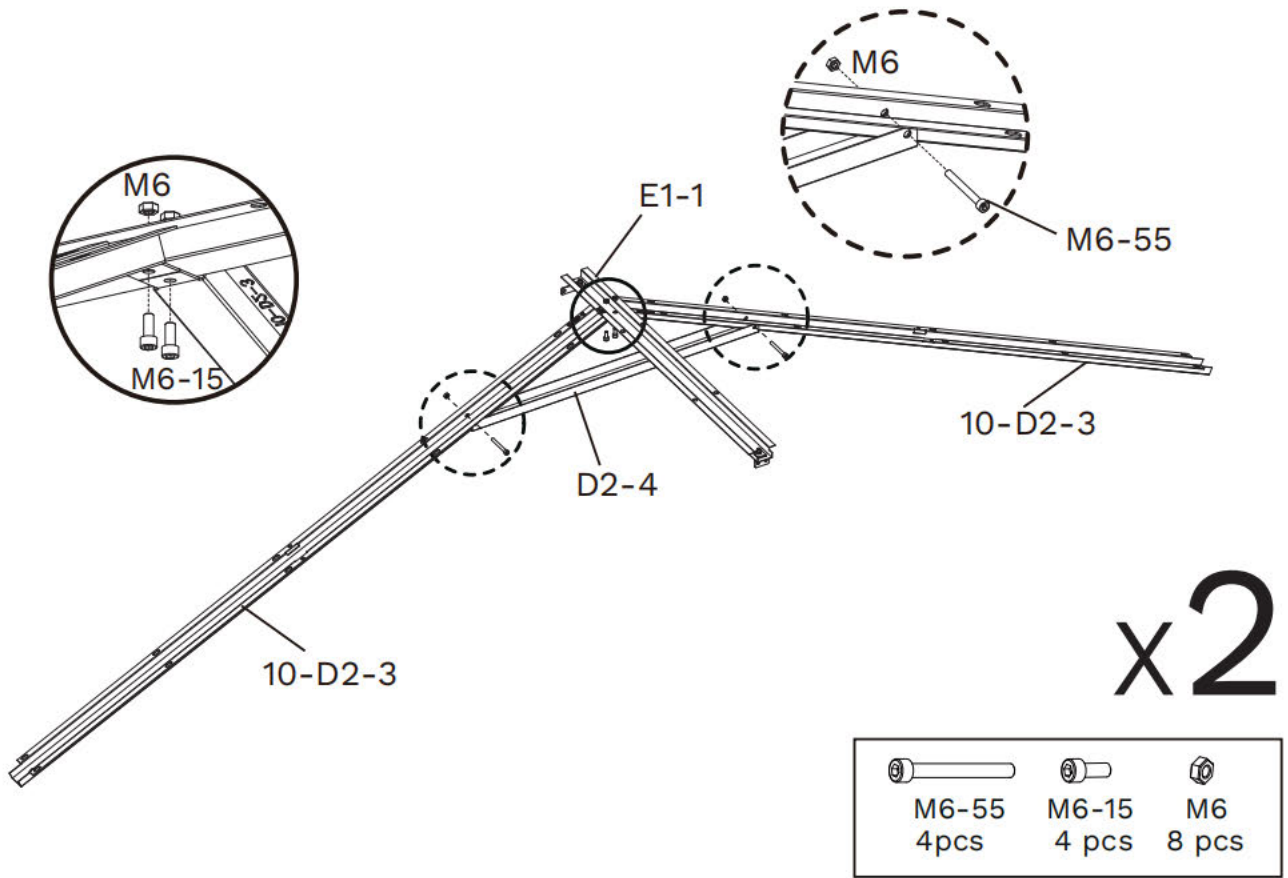
For Front Door



STEP 34

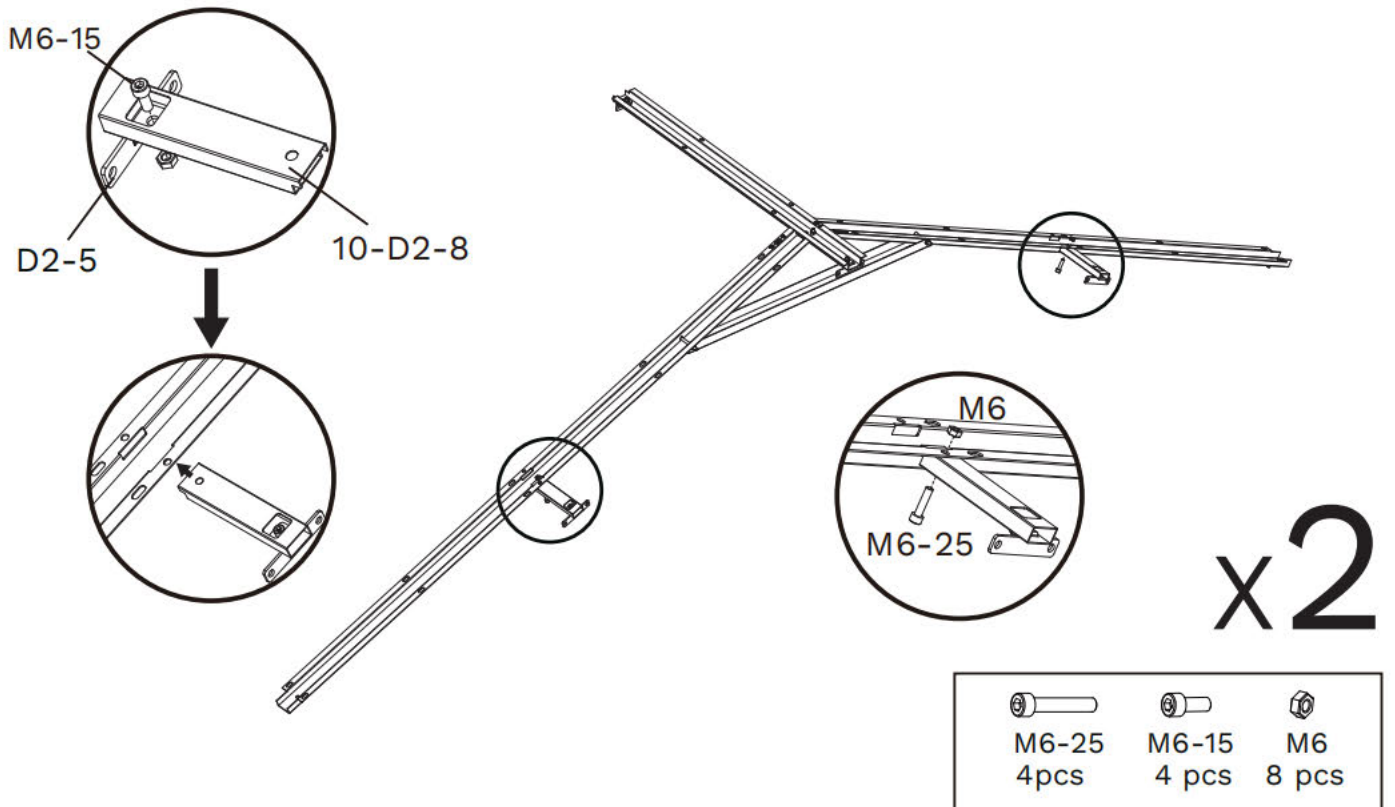


STEP 35

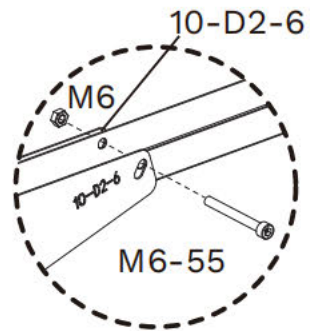
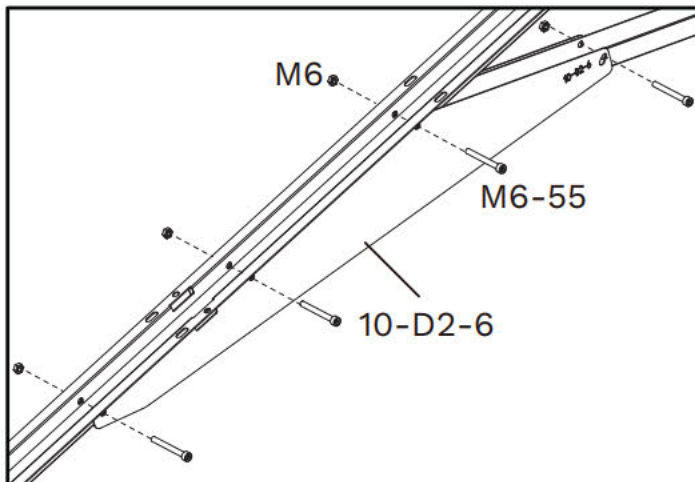
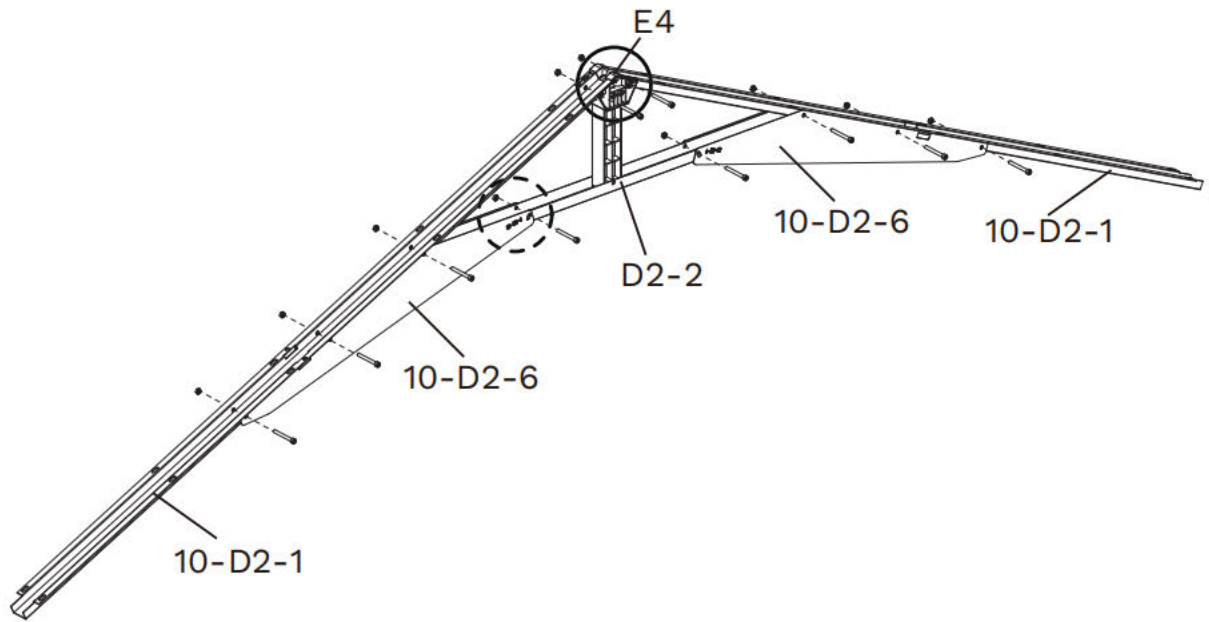
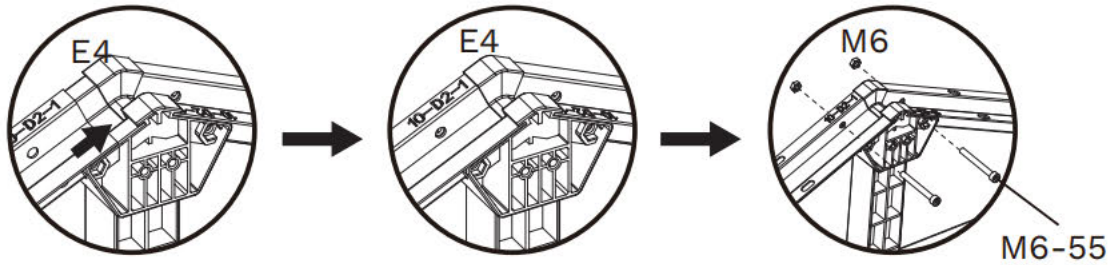


STEP 36

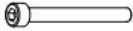

Refer to STEP 34 to install the D2-5.



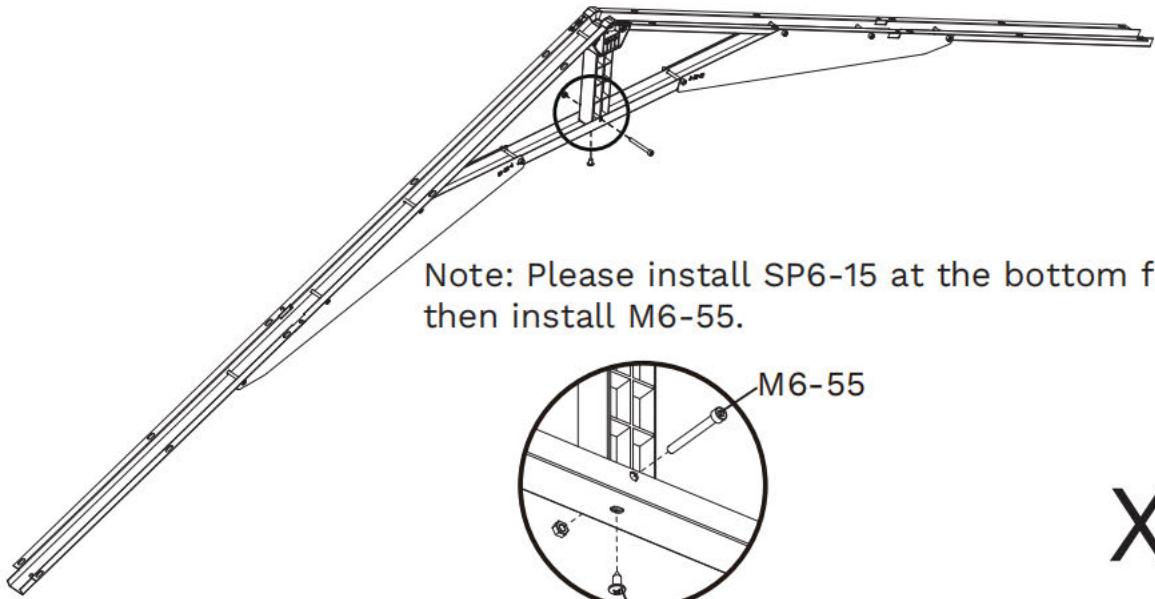
STEP 37



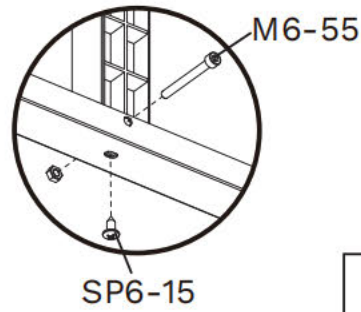
x4

	
M6-55	M6
40 pcs	40 pcs




STEP 38



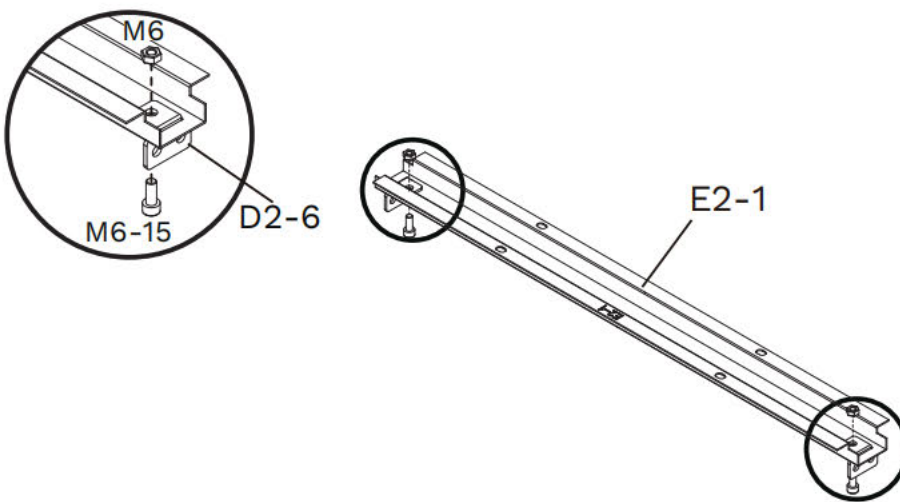
Note: Please install SP6-15 at the bottom first, then install M6-55.





x4

		
M6-55	SP6-15	M6
4 pcs	4 pcs	4 pcs

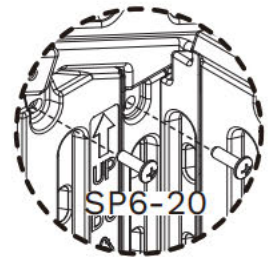
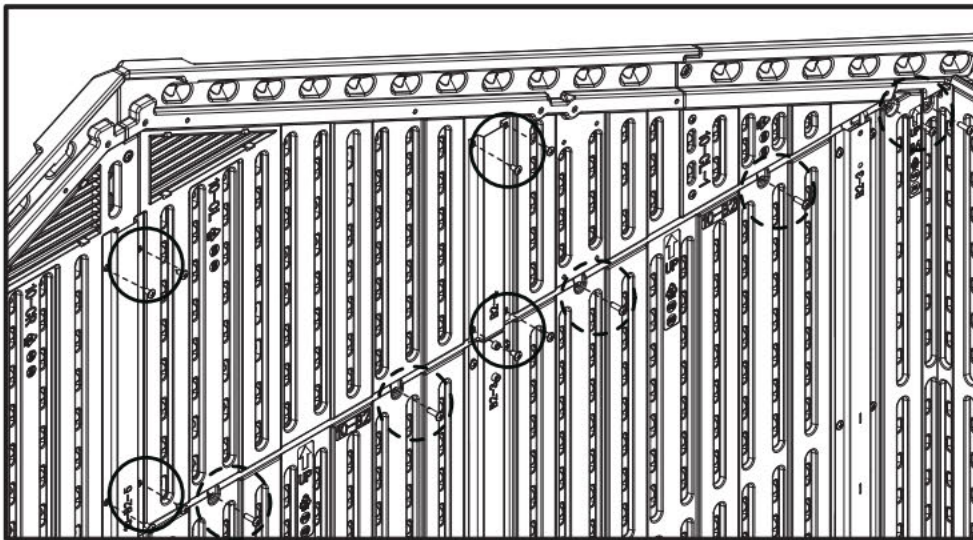
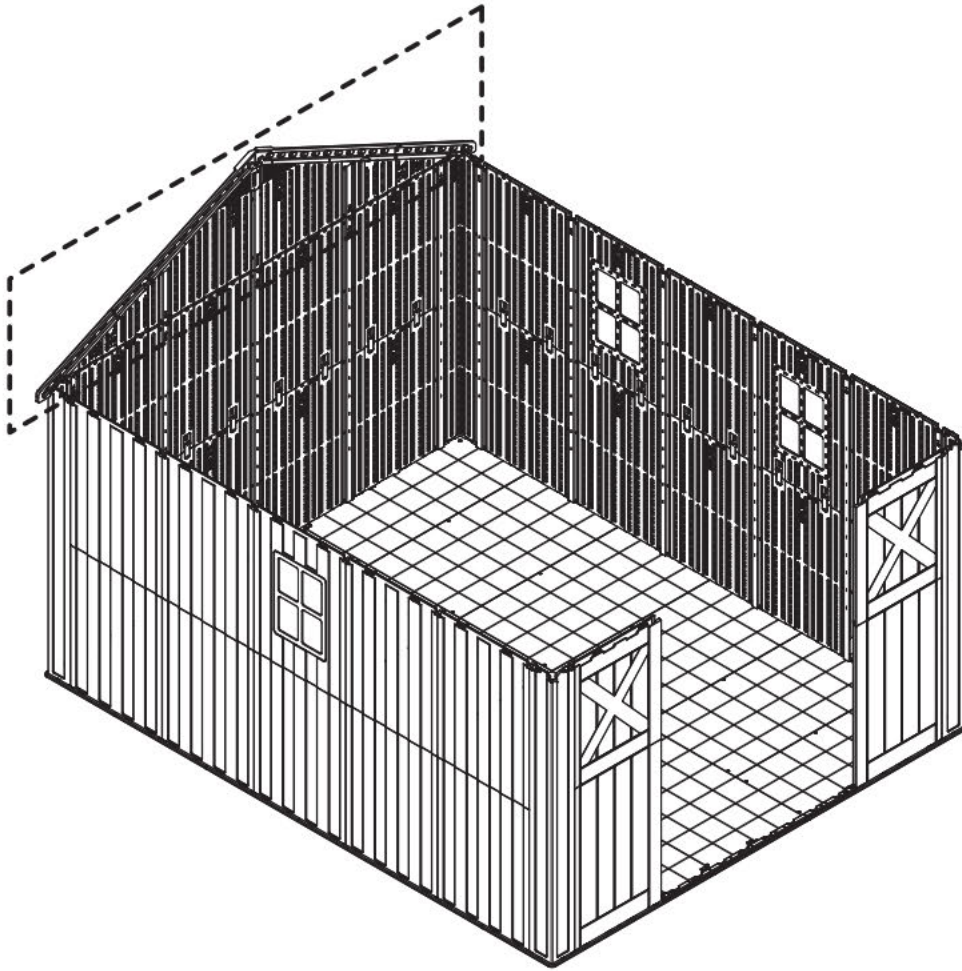
STEP 39





x3

	
M6-15	M6
6 pcs	6 pcs

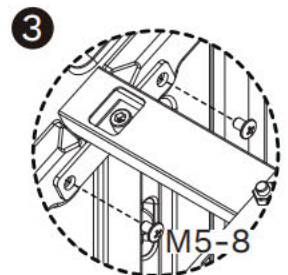
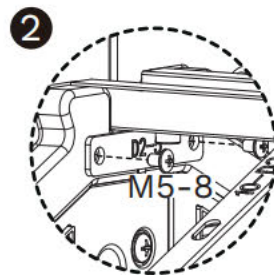
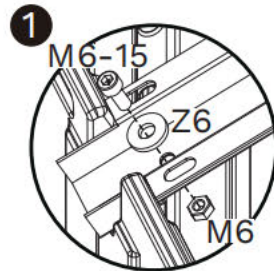
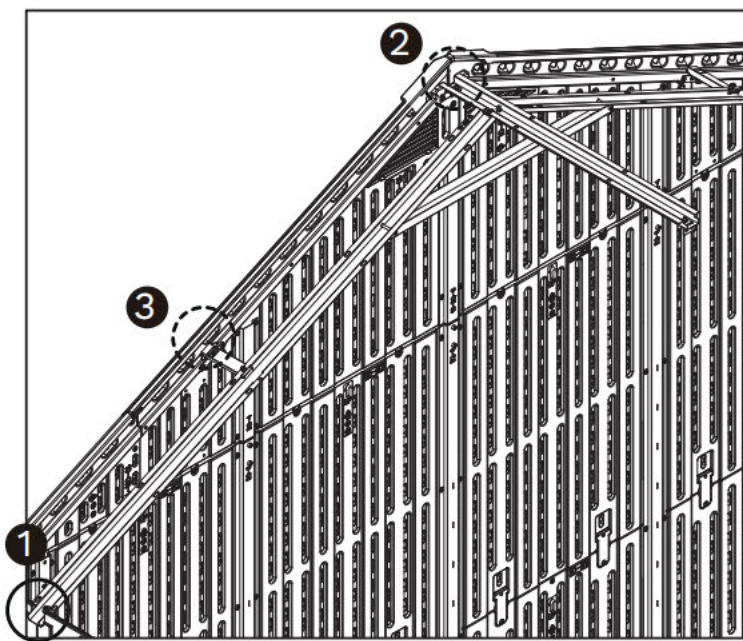
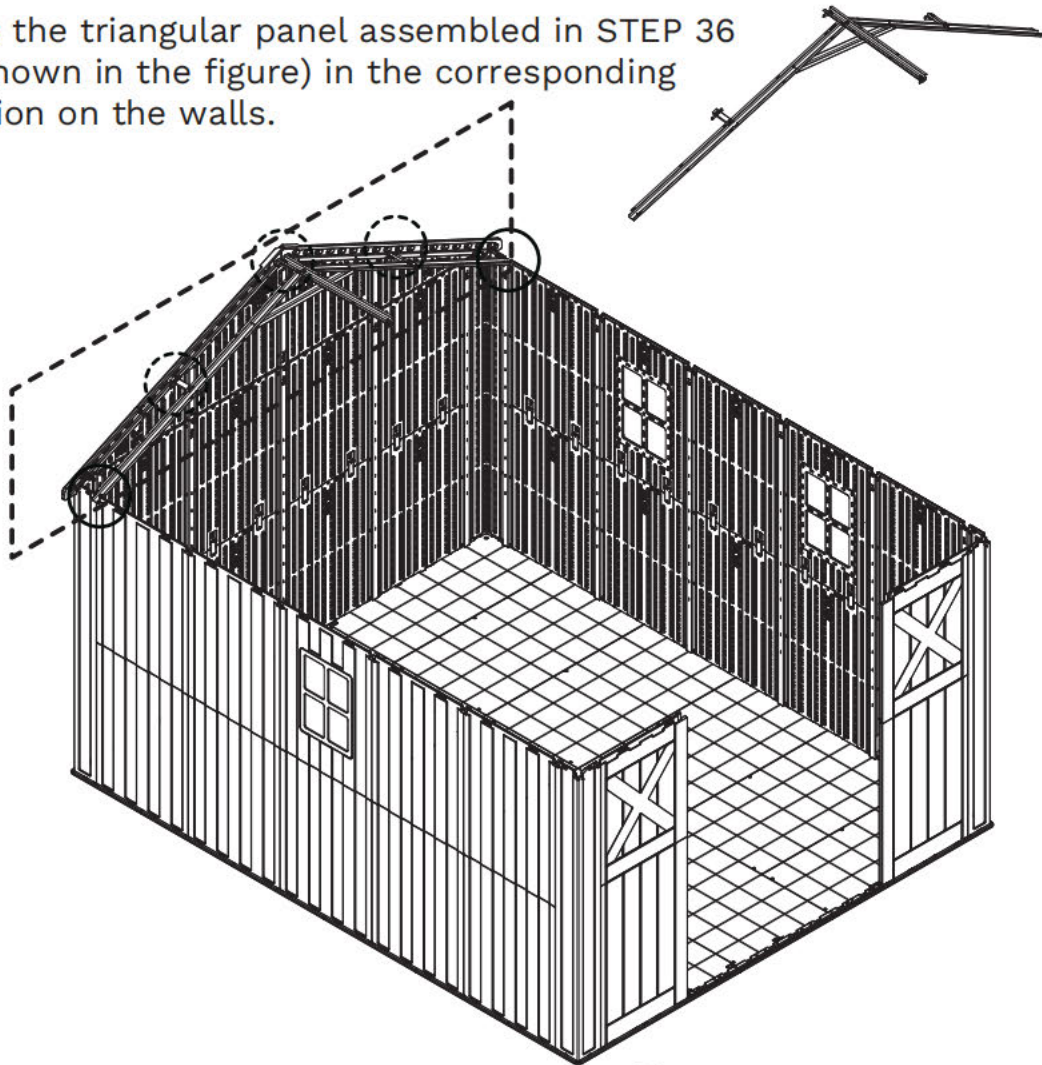
STEP 40



	
SP6-20 12 pcs	SP6-15 12 pcs

STEP 41

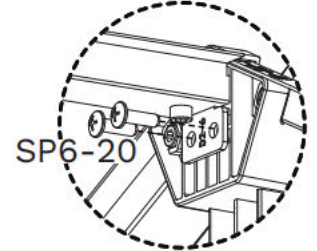
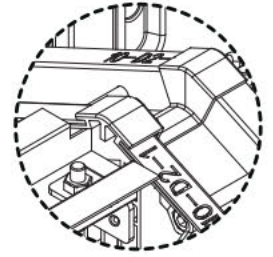
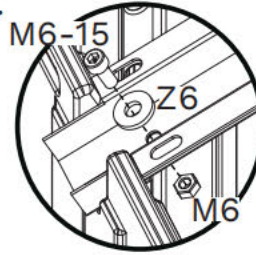
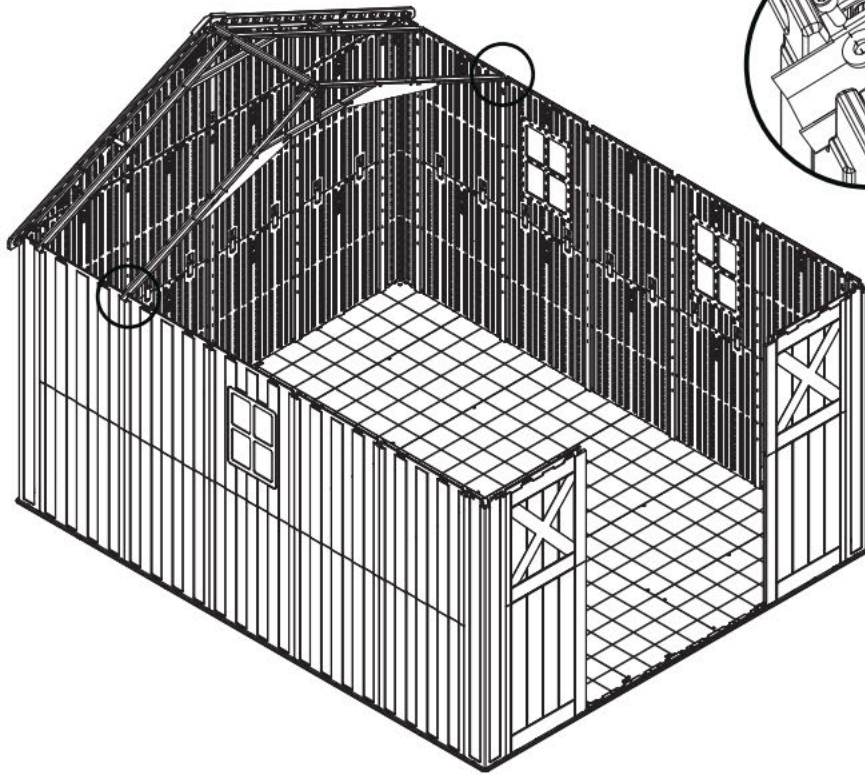
Place the triangular panel assembled in STEP 36 (as shown in the figure) in the corresponding position on the walls.







			
M6-15	M6	Z6	M5-8
2 pcs	2 pcs	2 pcs	6 pcs

STEP 42

Place the triangular panel assembled in STEP 38 in the corresponding position on the walls.

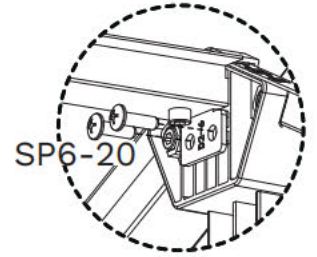
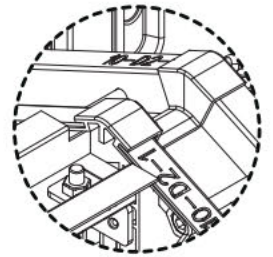
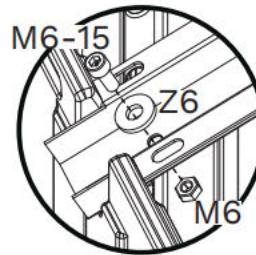
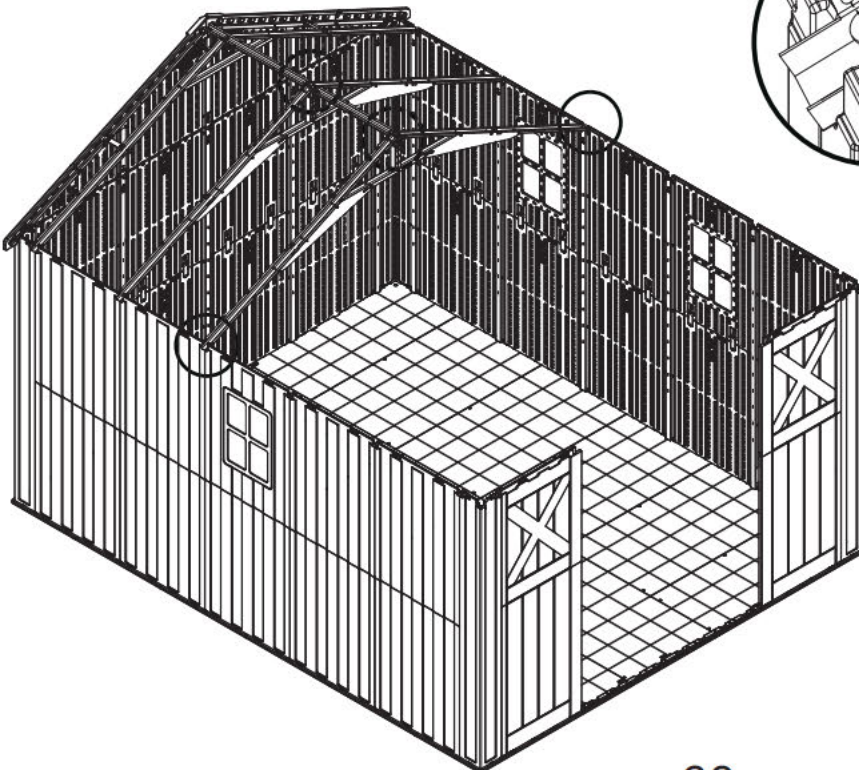


Note: Before installing the screws, please make sure that E1-1 is snapped into the corresponding position.)





			
M6-15	M6	Z6	SP6-20
2 pcs	2 pcs	2 pcs	2 pcs

STEP 43

Install E2-1 first and then place the triangular panel assembled in STEP 38 in the corresponding position on the wall.

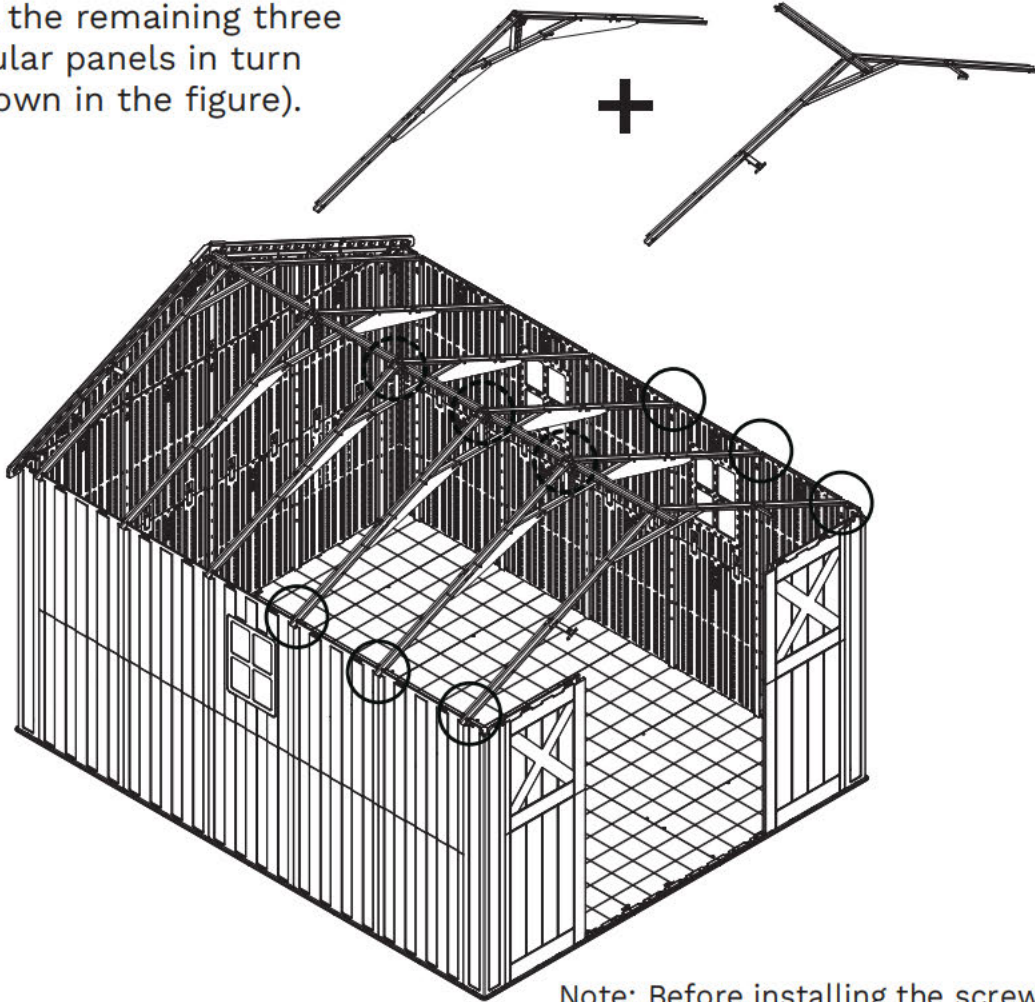


Note: Before installing the screws, please make sure that E2-1 is snapped into the corresponding position.)

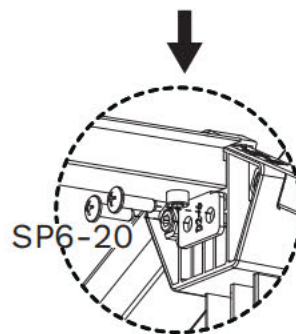
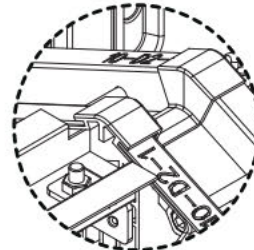
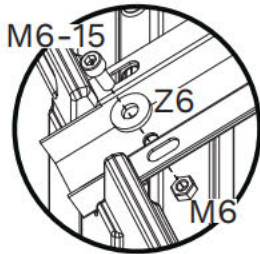
			
M6-15	M6	Z6	SP6-20
2 pcs	2 pcs	2 pcs	4 pcs





STEP 44

Install the remaining three triangular panels in turn (as shown in the figure).



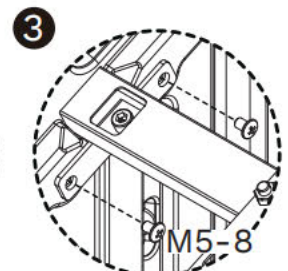
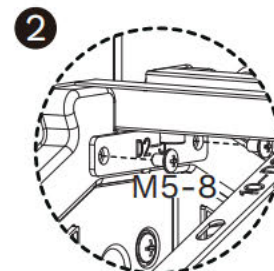
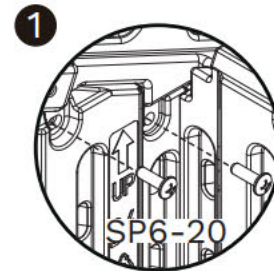
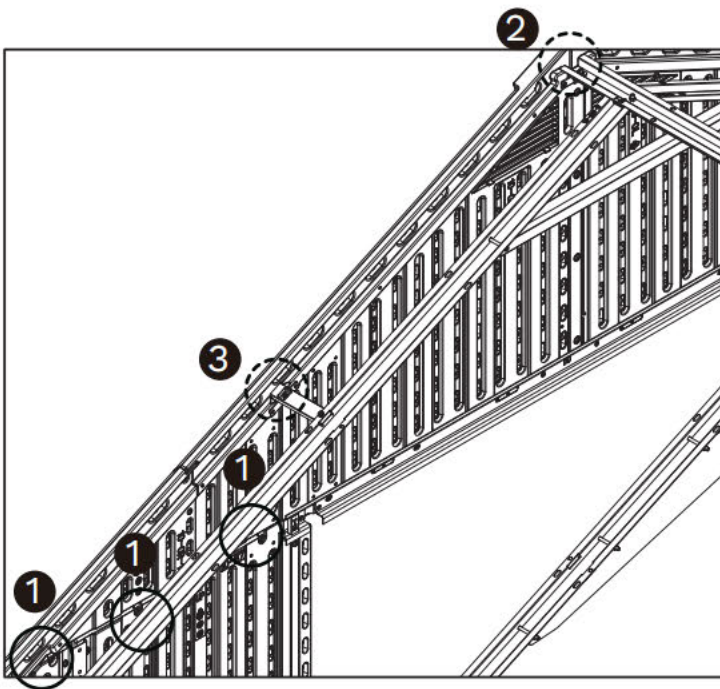
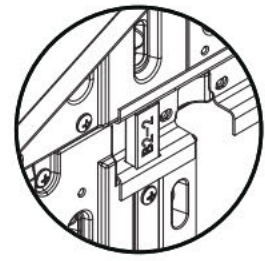
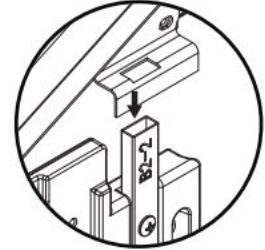
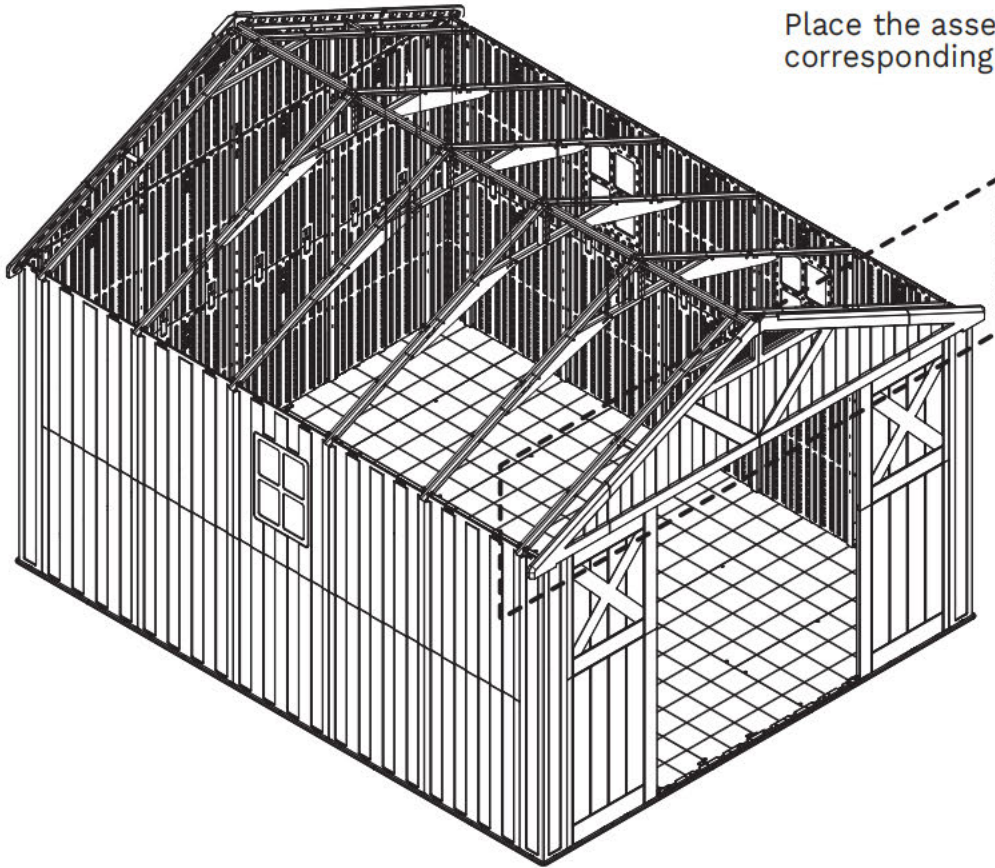
Note: Before installing the screws, please make sure that E1-1/E2-1 is snapped into the corresponding position.





			
M6-15	M6	Z6	SP6-20
6 pcs	6 pcs	6 pcs	10 pcs

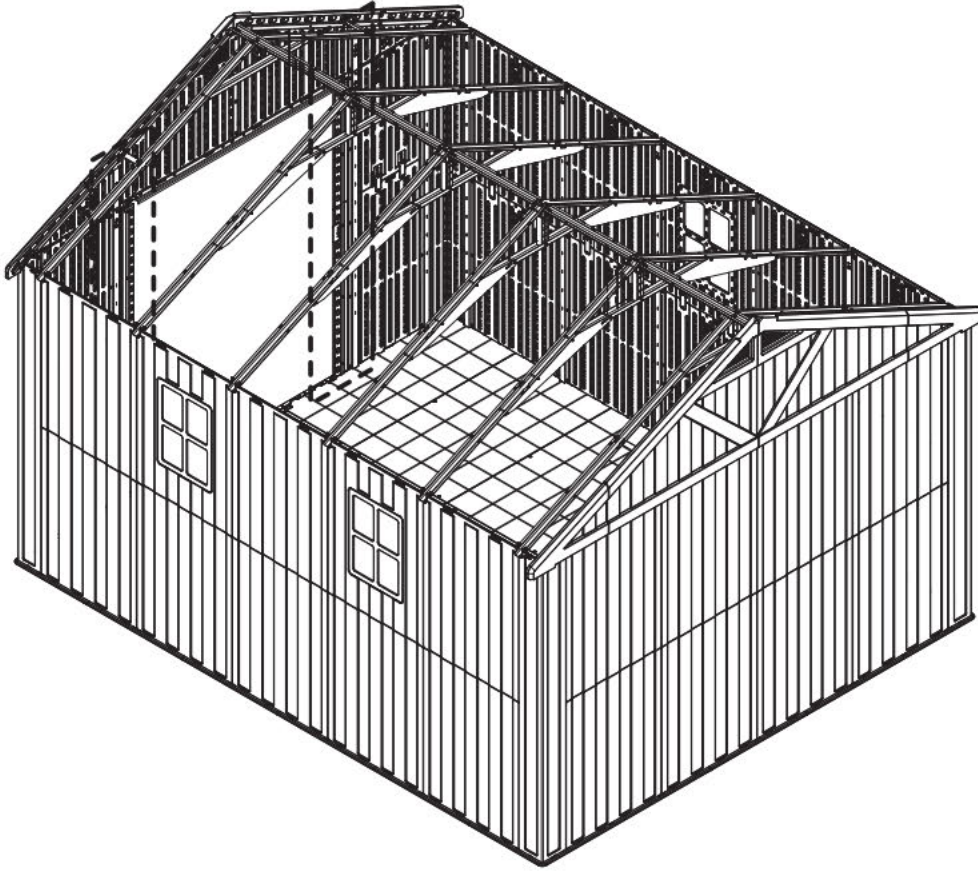
STEP 45

Place the assembled triangle panel on the corresponding position of the wall panel.

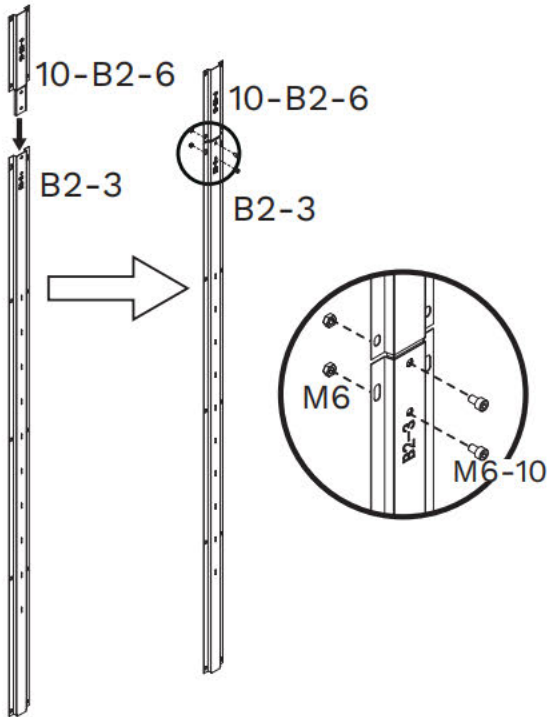


	
SP6-20	M5-8
8 pcs	6 pcs

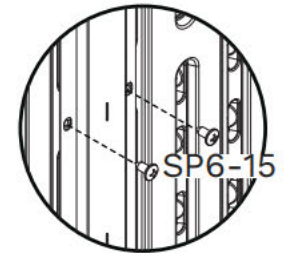
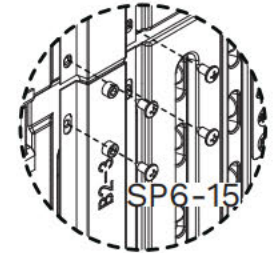
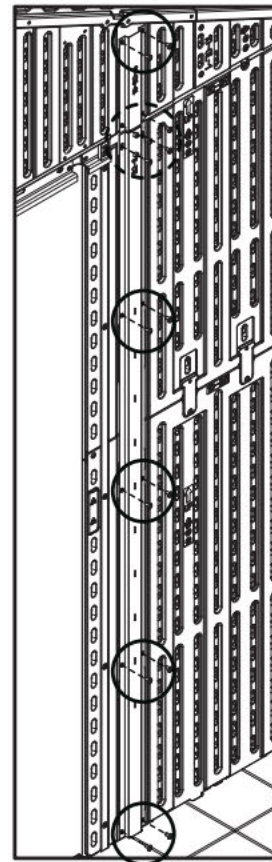
STEP 46






1



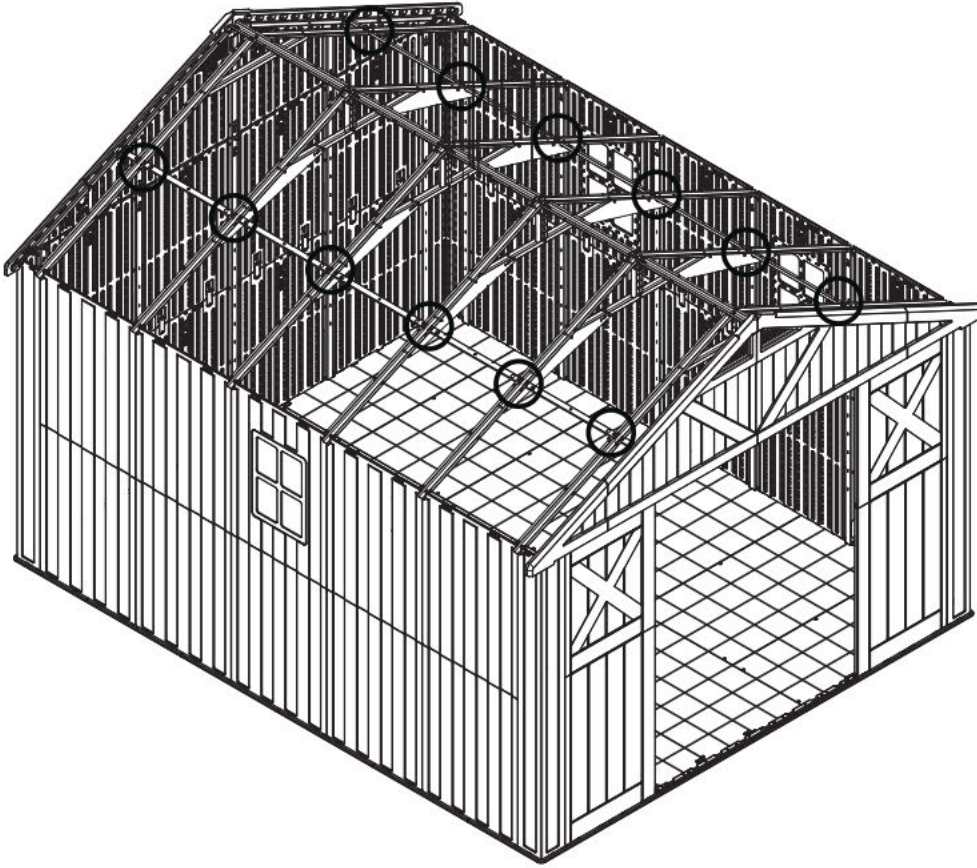
2



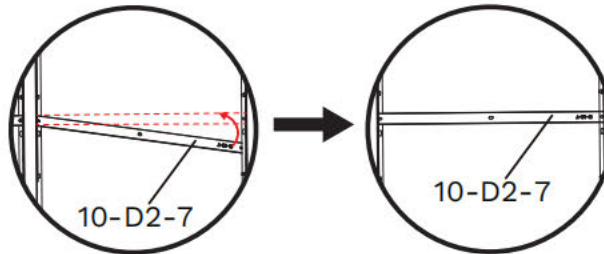
x2

		
M6-10	M6	SP6-15
4 pcs	4 pcs	28 pcs

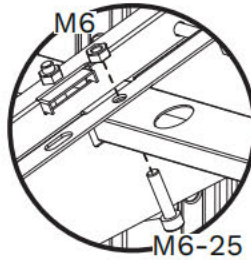
STEP 47





1. Place one end of the 10-D2-7 into the corresponding position and tilt the other end into place.

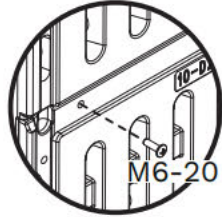
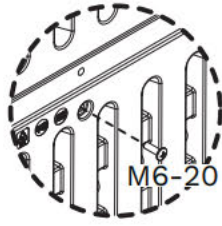
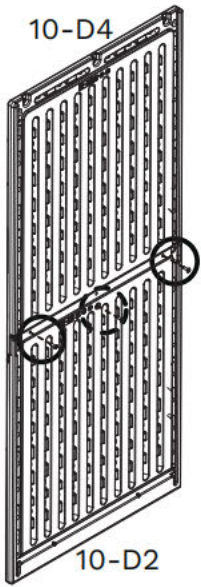


2. Once the holes are aligned, install M6-25 and M6.

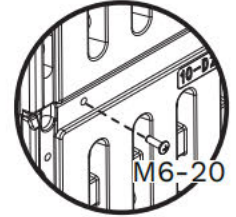
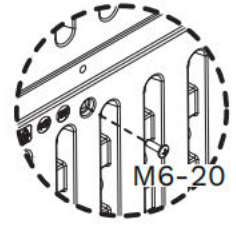
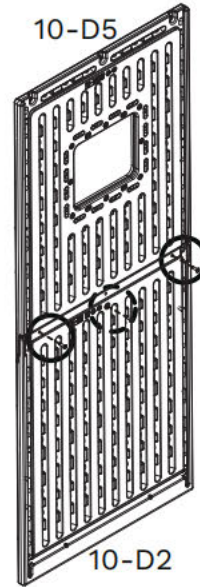


	
M6-25	M6
20 pcs	20 pcs

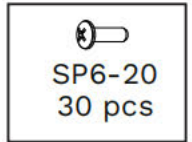
STEP 48



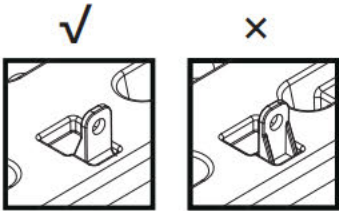
x4



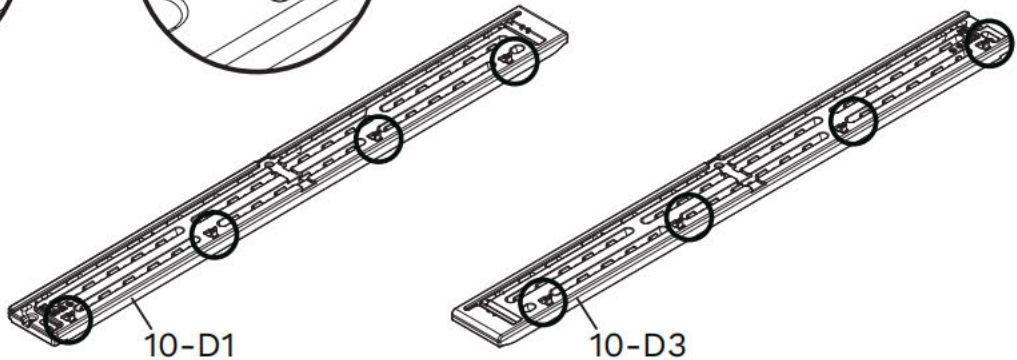
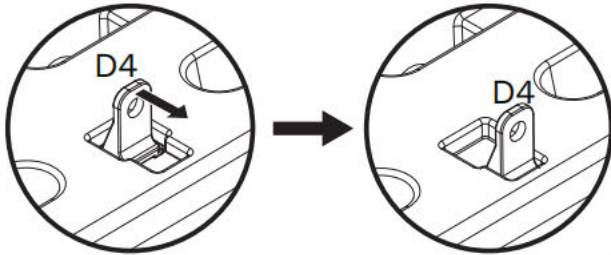
x6



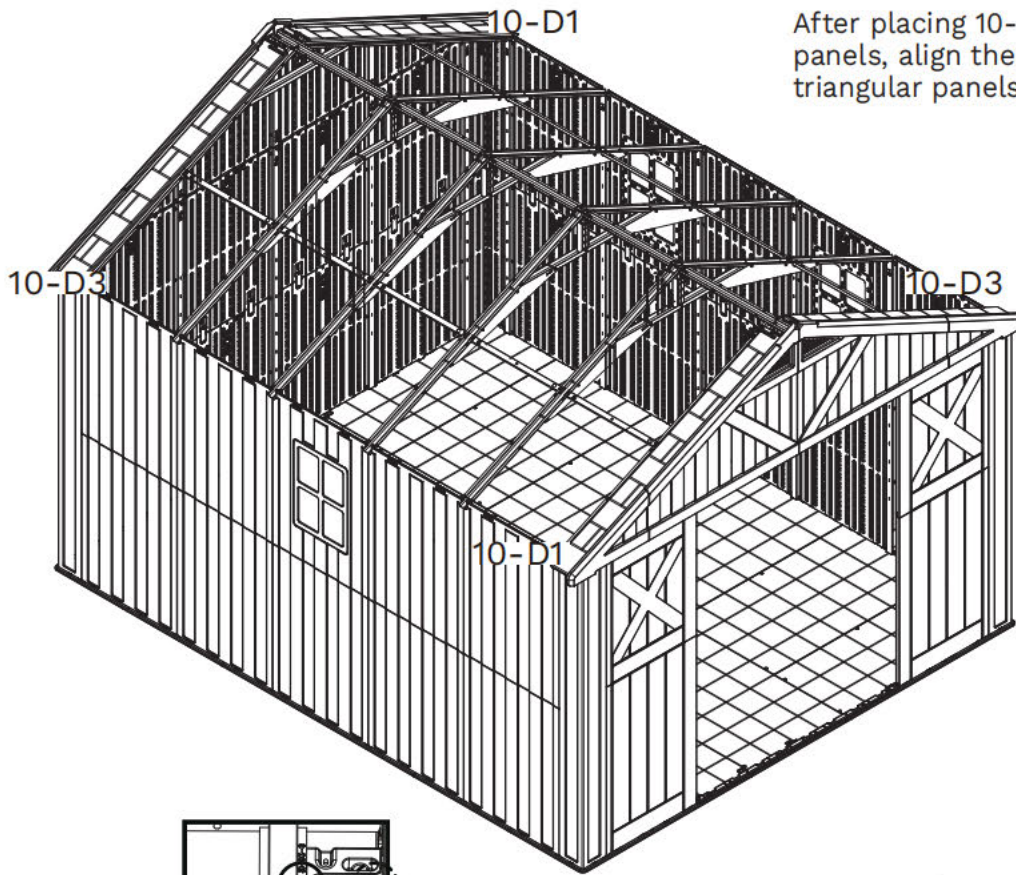
STEP 49



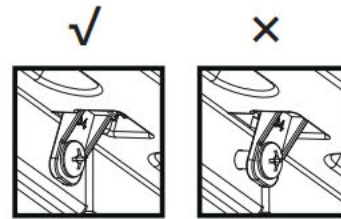
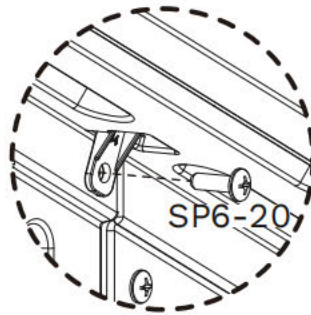
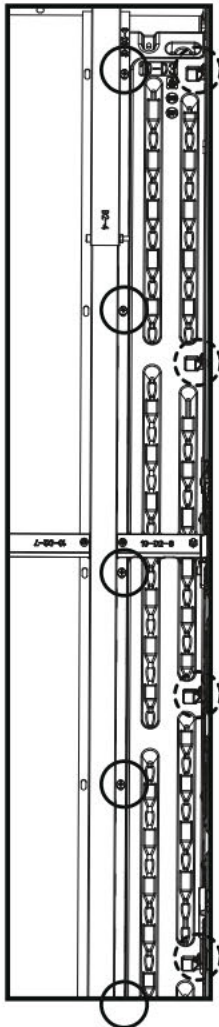
Note the mounting direction of D4.



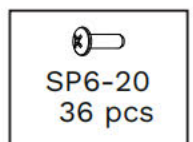
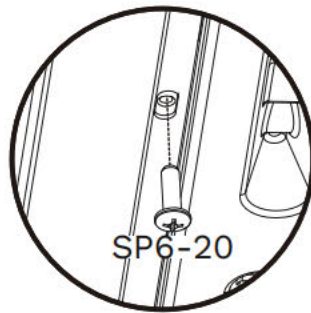
STEP 50



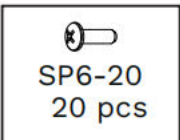
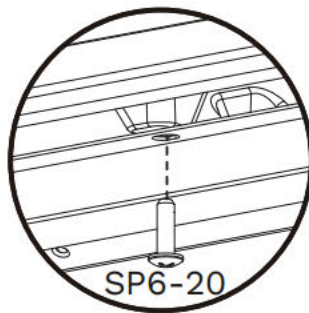
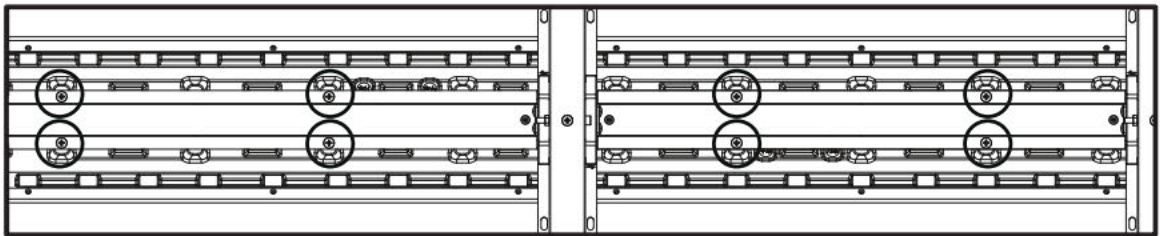
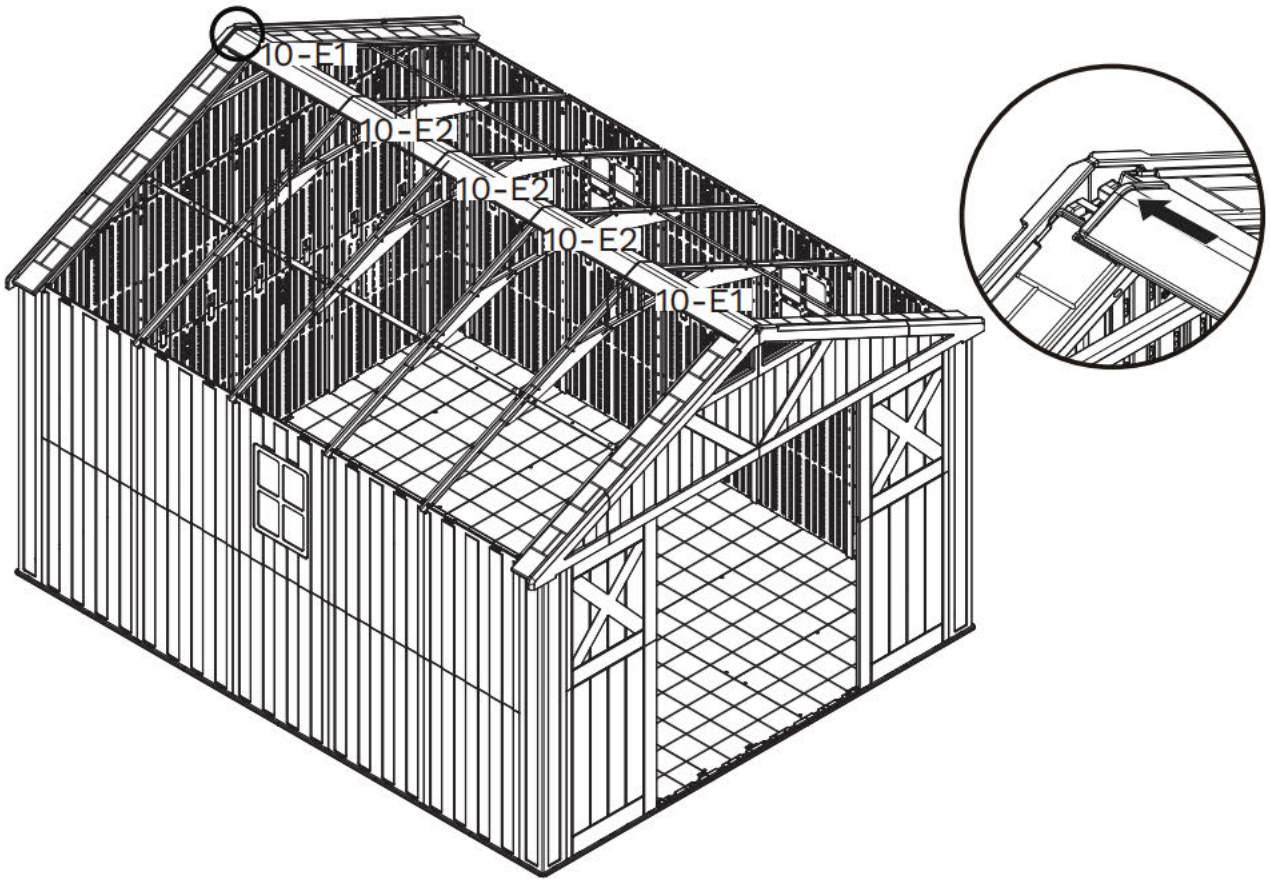
After placing 10-D1 and 10-D3 on the triangular panels, align them with the grooves of the triangular panels and push them forward.



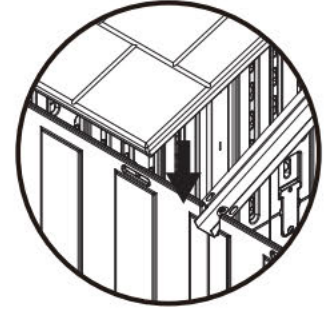
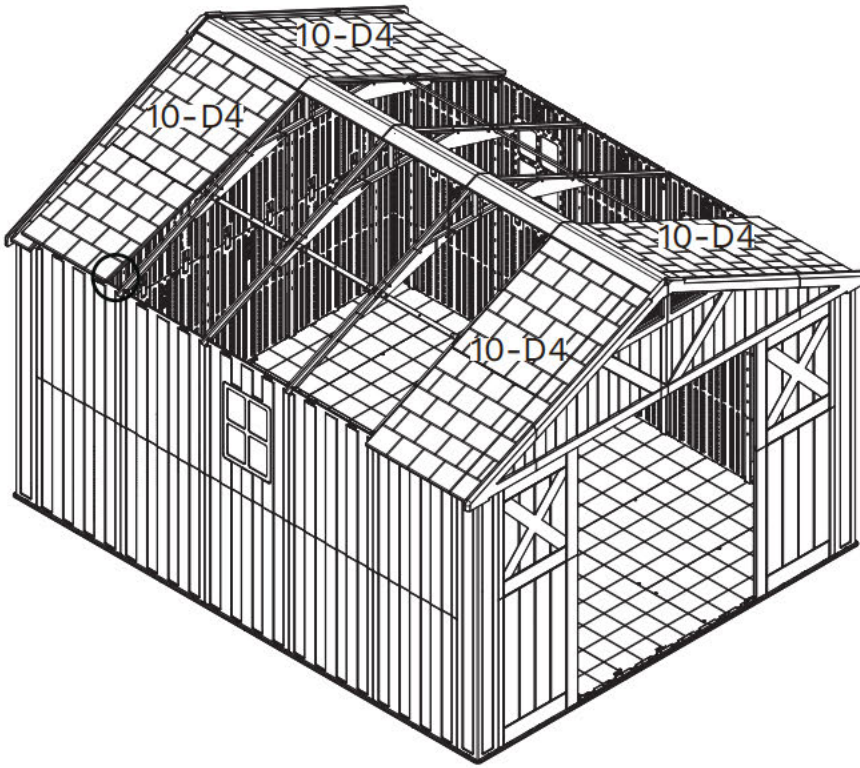
D4 should fit perfectly on the tripod.



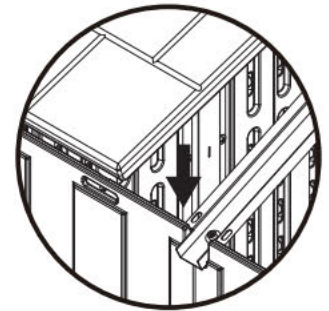
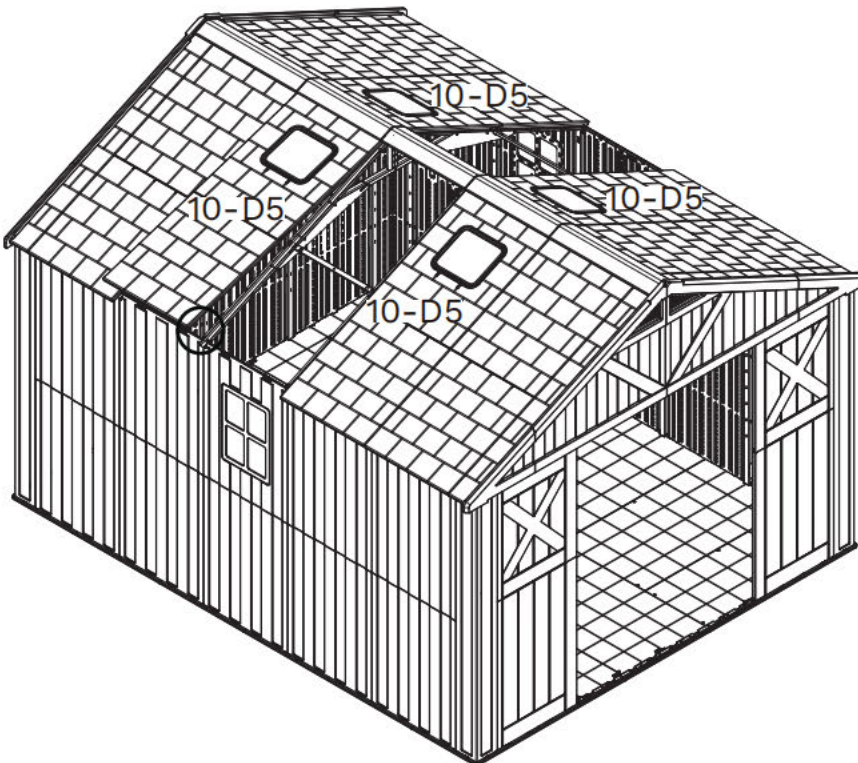
STEP 51



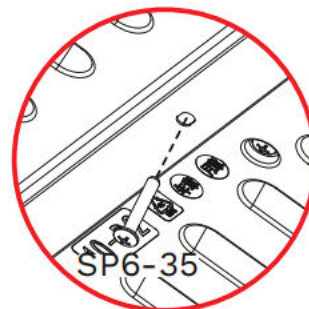
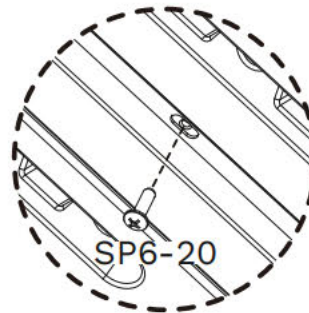
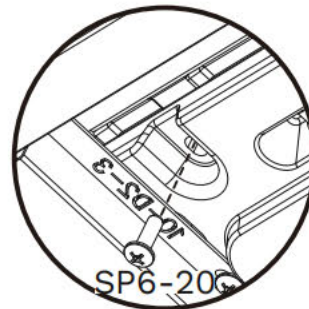
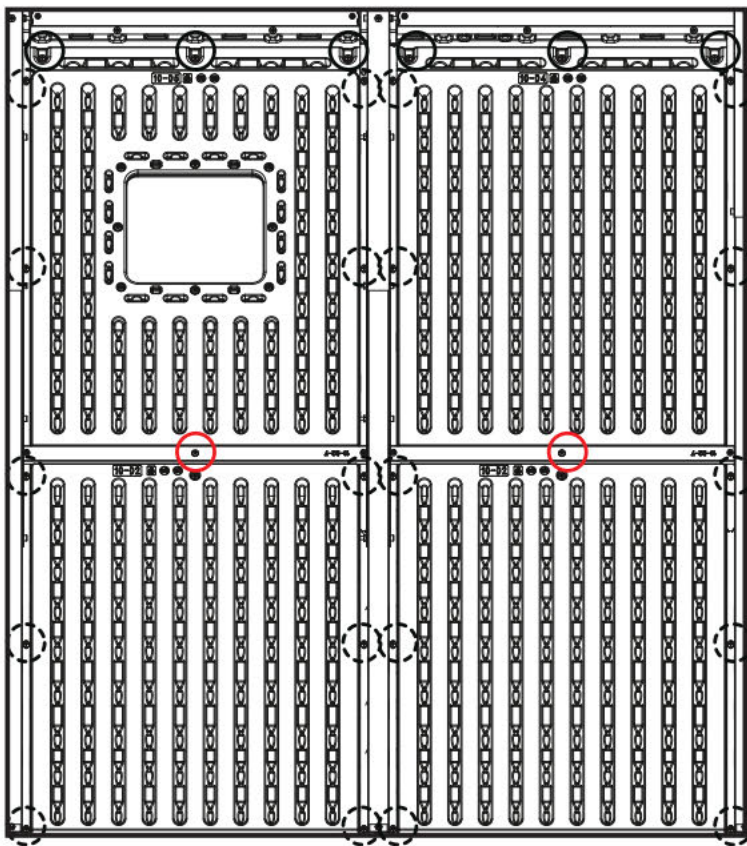
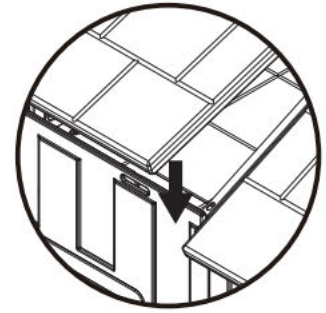
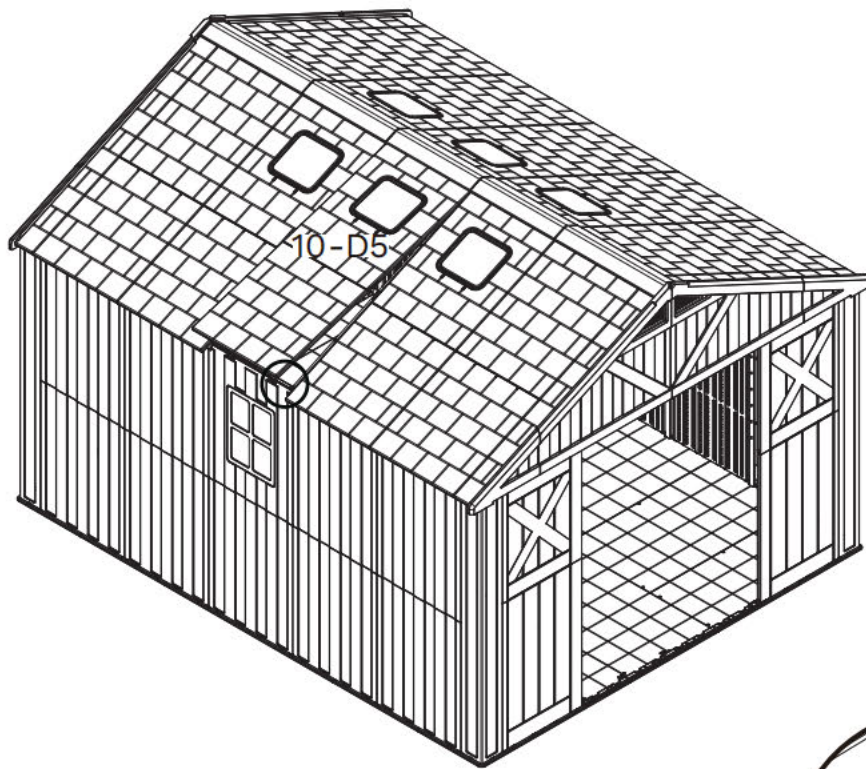
STEP 52





STEP 53

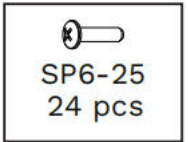
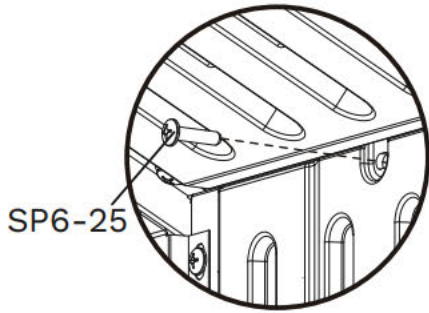
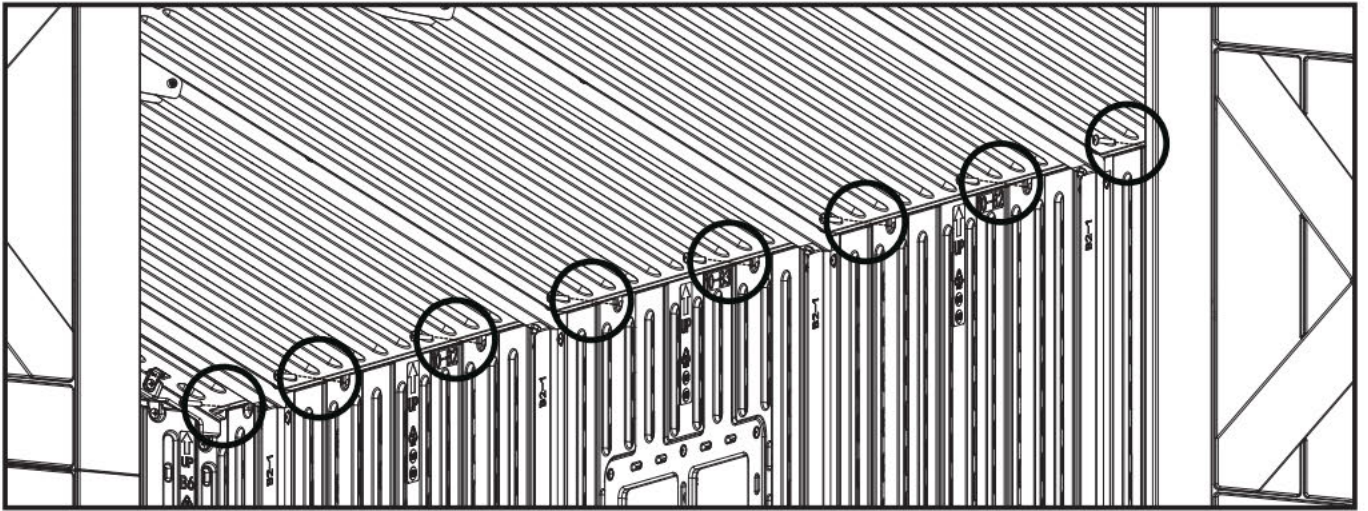


STEP 54

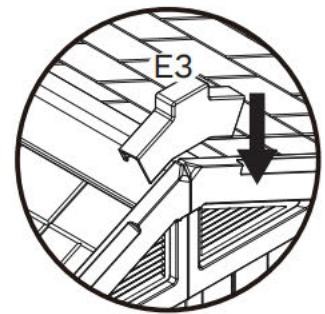
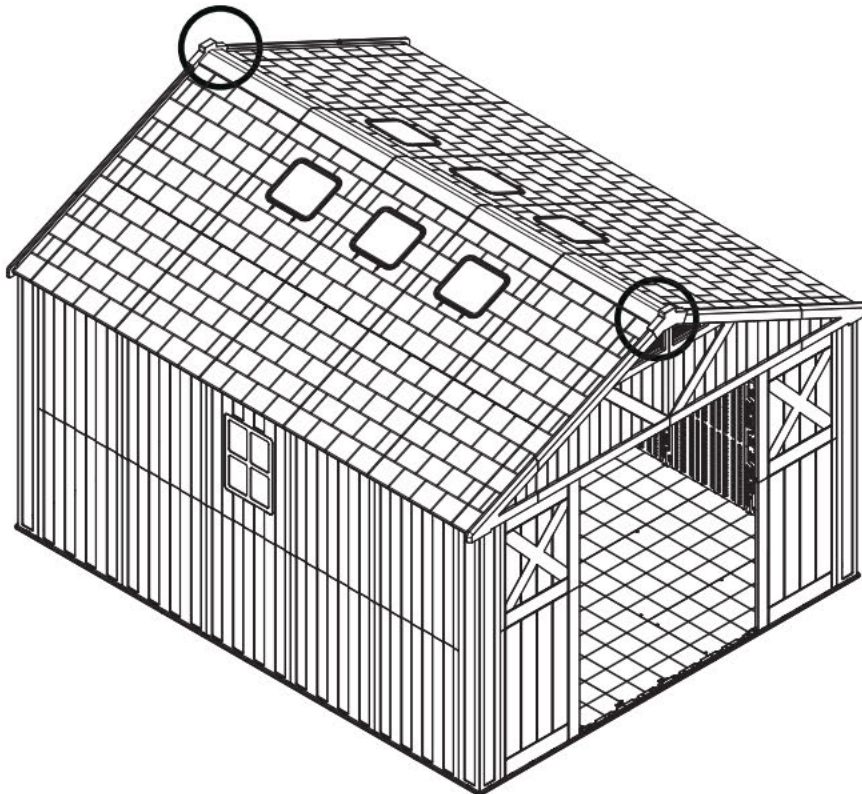


	
SP6-20	SP6-35
134 pcs	10 pcs

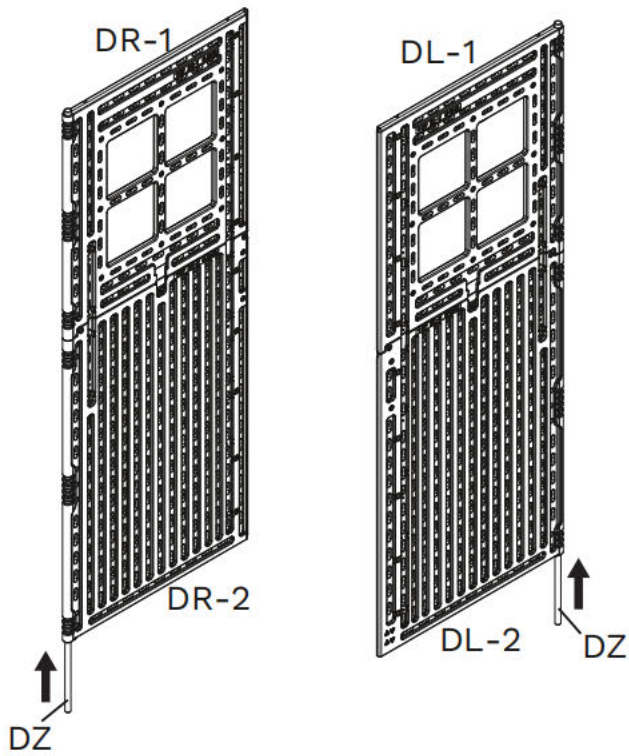
STEP 55



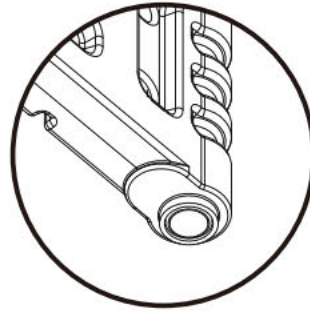
STEP 56



STEP 57

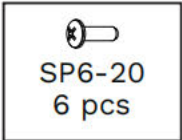
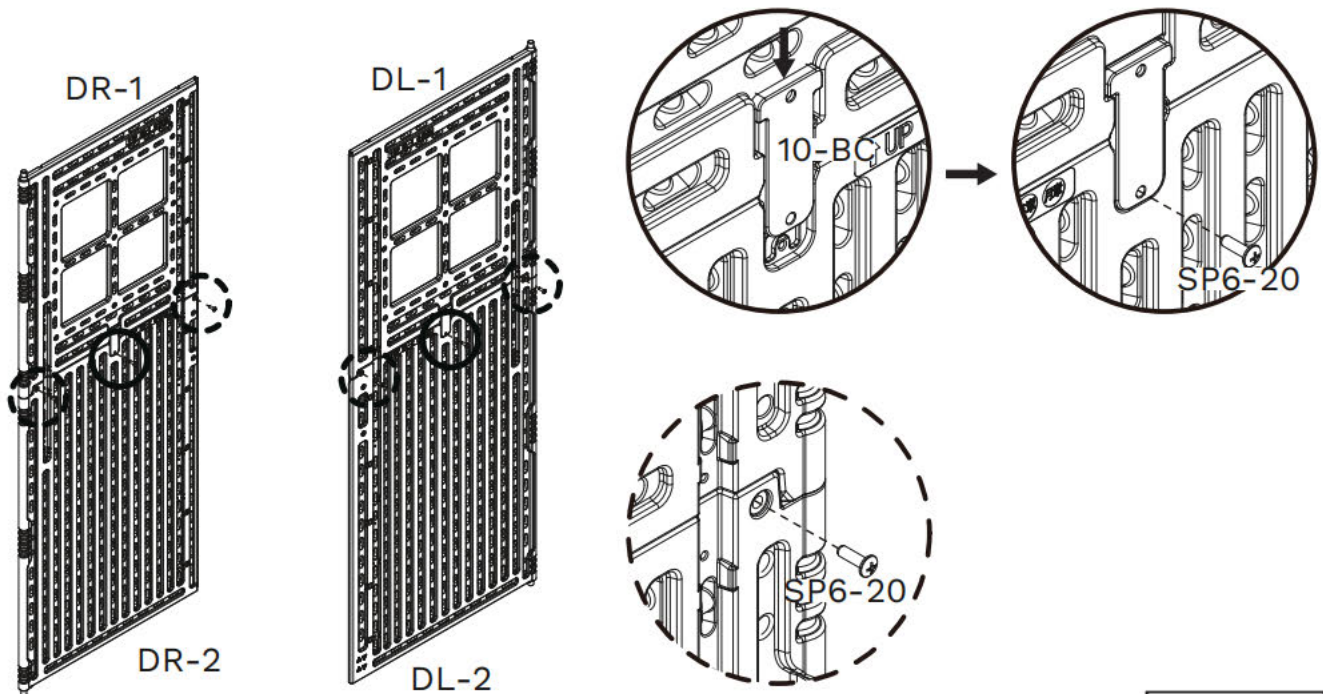


Do not push in hard when there is an obstruction, rotate DZ to adjust.

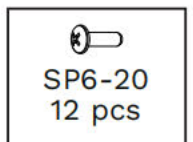
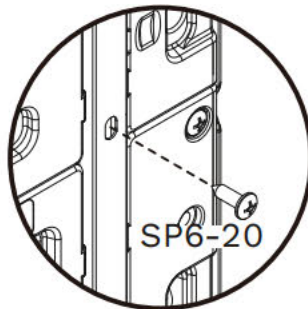
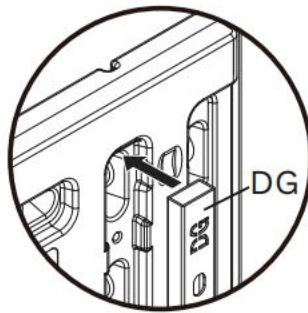
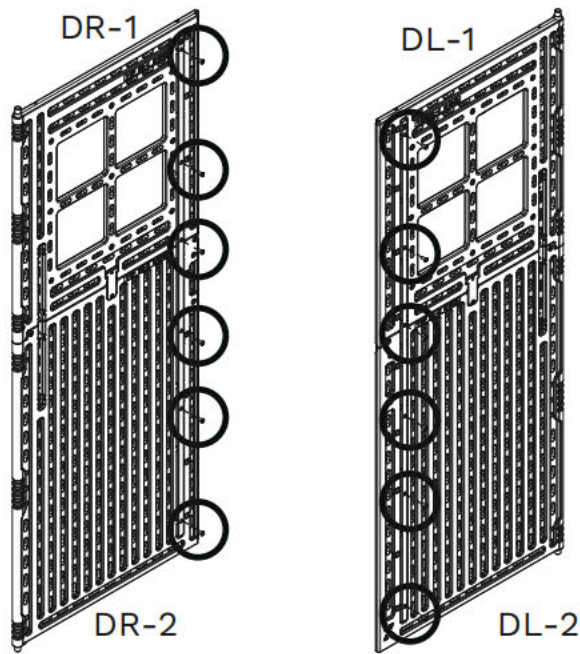


Push DZ completely down below, ensuring the bottom surface is level.

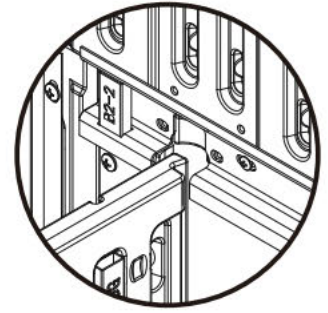
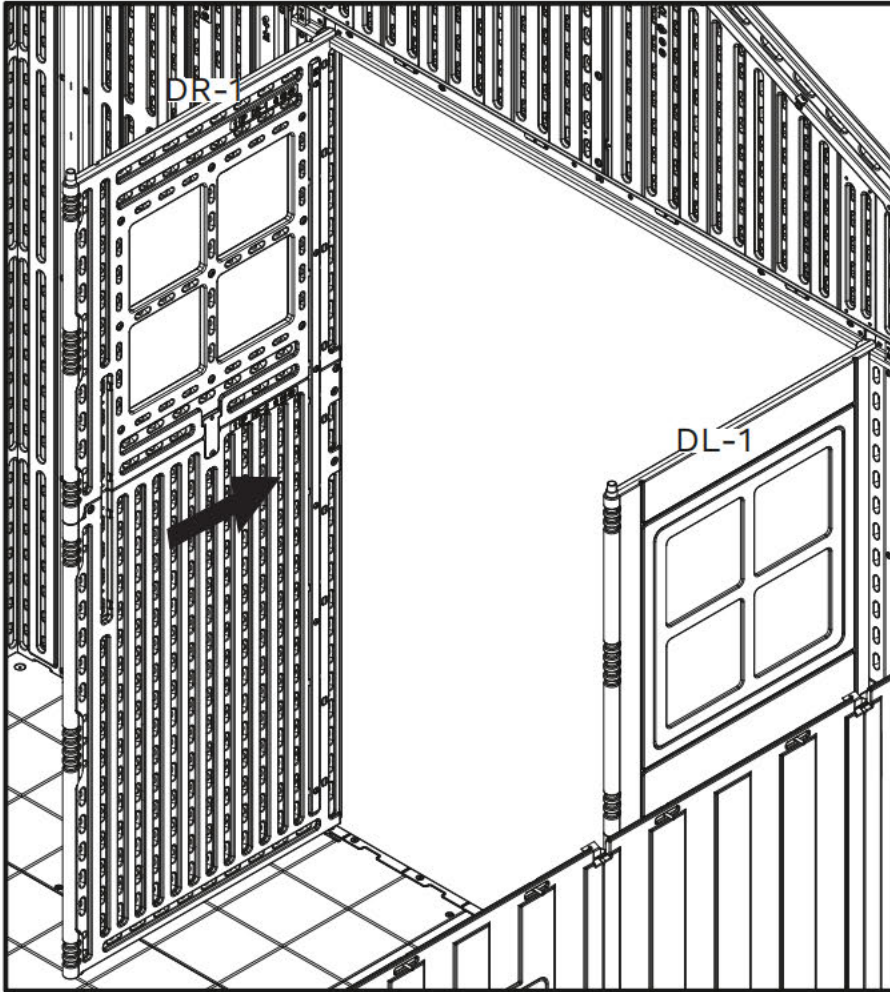
STEP 58



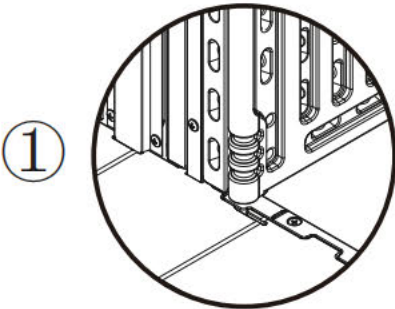
STEP 59



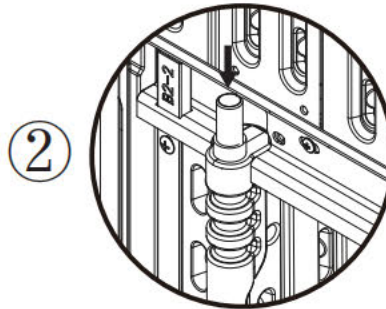
STEP 60



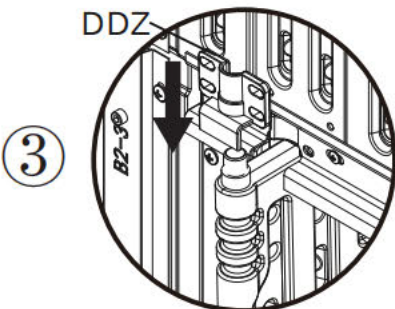
Take the **door** inside.
Push it forward into position.



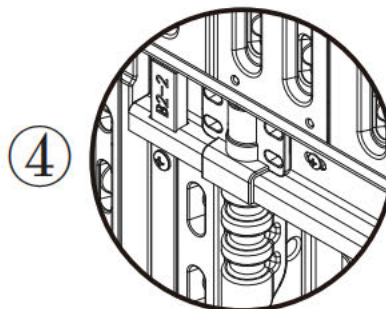
Push it into the groove of the floor.



Press the DZ downwards.

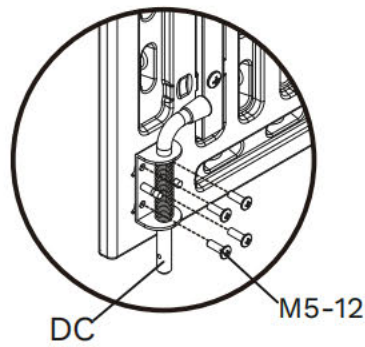
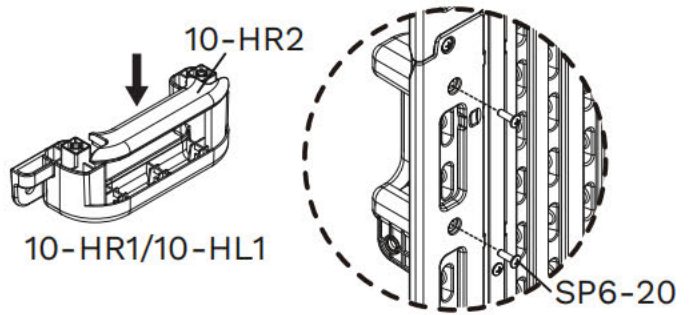
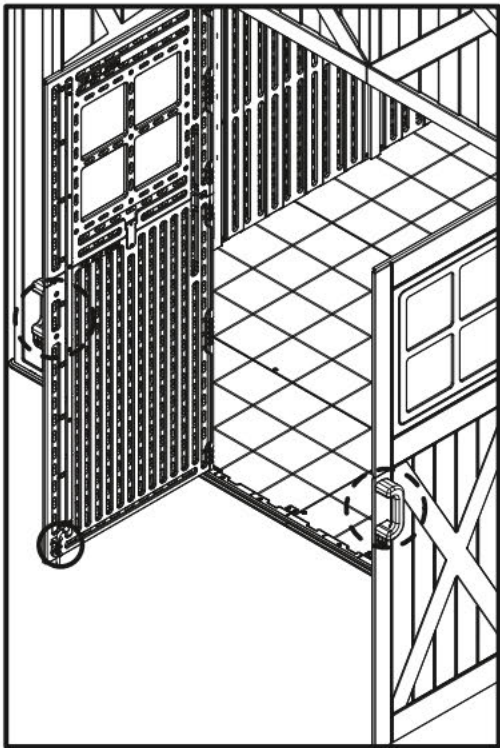
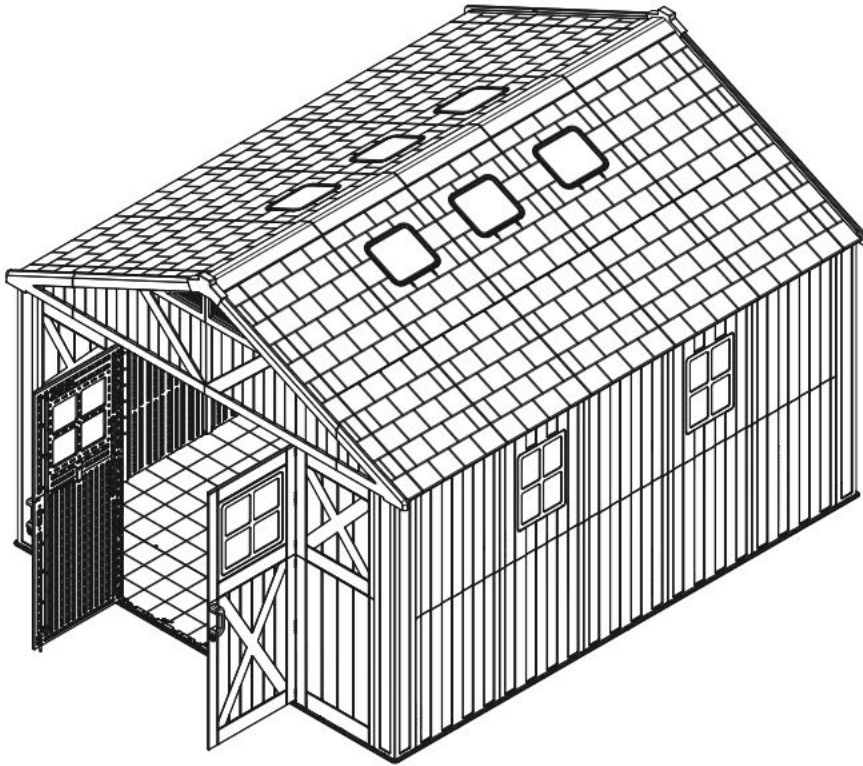




Tilting the **door** and
snapping it into the DDZ.



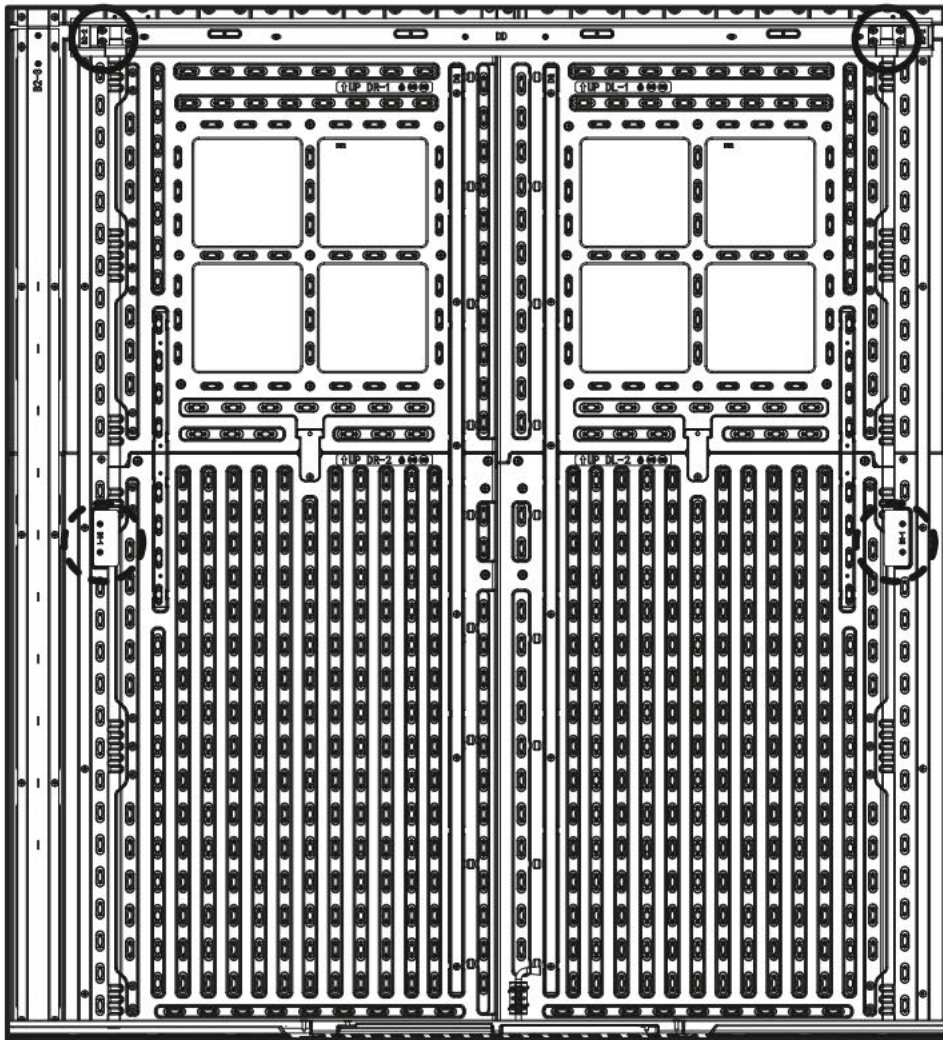
After inserting the DDZ, push the
door to the fitting position.

STEP 61

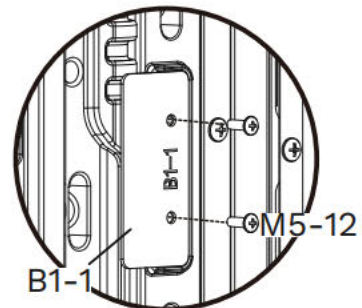
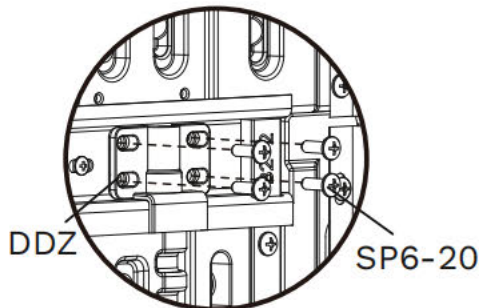




	
SP6-20	M5-12
4 pcs	4 pcs

STEP 62



Two people are needed. One person closes the door and inserts the pin, while the other person adjusts the gap outside the door. After making sure the gap is even, the person inside installs DDZ screws SP6-20.



	
SP6-20	M5-12
8 pcs	4 pcs

CARE & SAFETY

- In case of fire, do not attempt to extinguish any burning polypropylene with water. Unsuitable for storage of flammable or corrosive substances.
- It is of utmost importance to assemble all of the parts according to the directions. Do not skip any step.
- Please consult your local authorities if any permits are required to erect shed.
- Periodically check shed to assure that it remains stable and that the site remains level.
- It is highly recommended to secure the shed to an immovable object or to the ground by drilling holes in the floor at the pre-marked locations and inserting proper screws into the ground (size: 1.9"-3" ,screws are not included).
- Wear safety-goggles and always follow the manufacturer's instructions when using power tools.
- Wash shed with garden hose or a mild detergent solution. Using a stiff brush or abrasive cleaner could damage shed.
- Hot items such as recently used grills, blowtorches, etc. must not be stored in the shed.
- Heavy articles should not be leaned against the walls, as this may cause distortion.
- Keep roof clean of snow and leaves. Heavy amounts of snow on roof can damage the shed making it unsafe to enter.
- Although wind direction varies, it is an important factor when taking into account where to place your shed. Therefore, it is recommended to reduce wind exposure of the shed in general, and the door side in particular.
- Keep doors closed and locked to prevent wind damage.
- Do not stand on the roof.