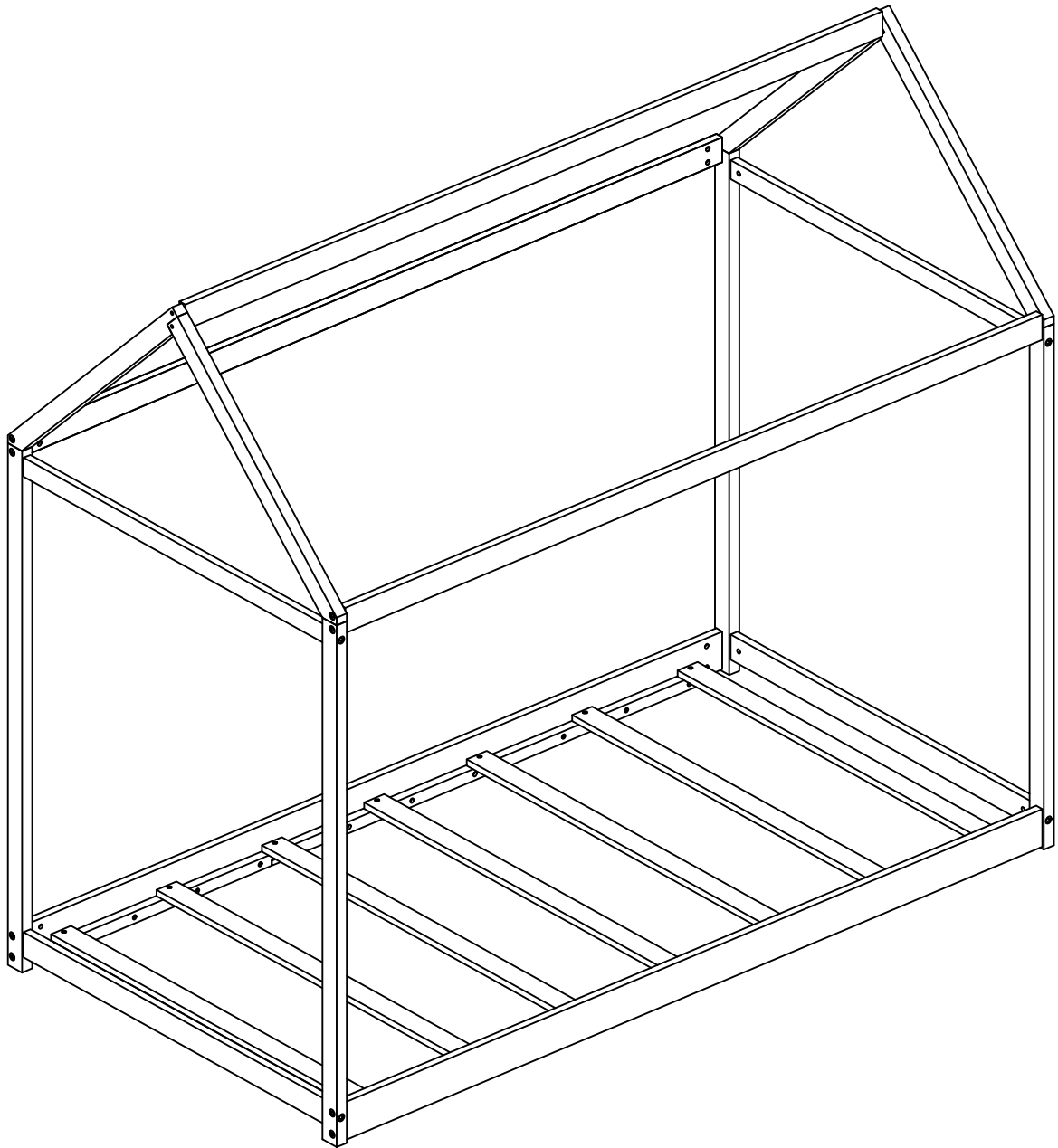
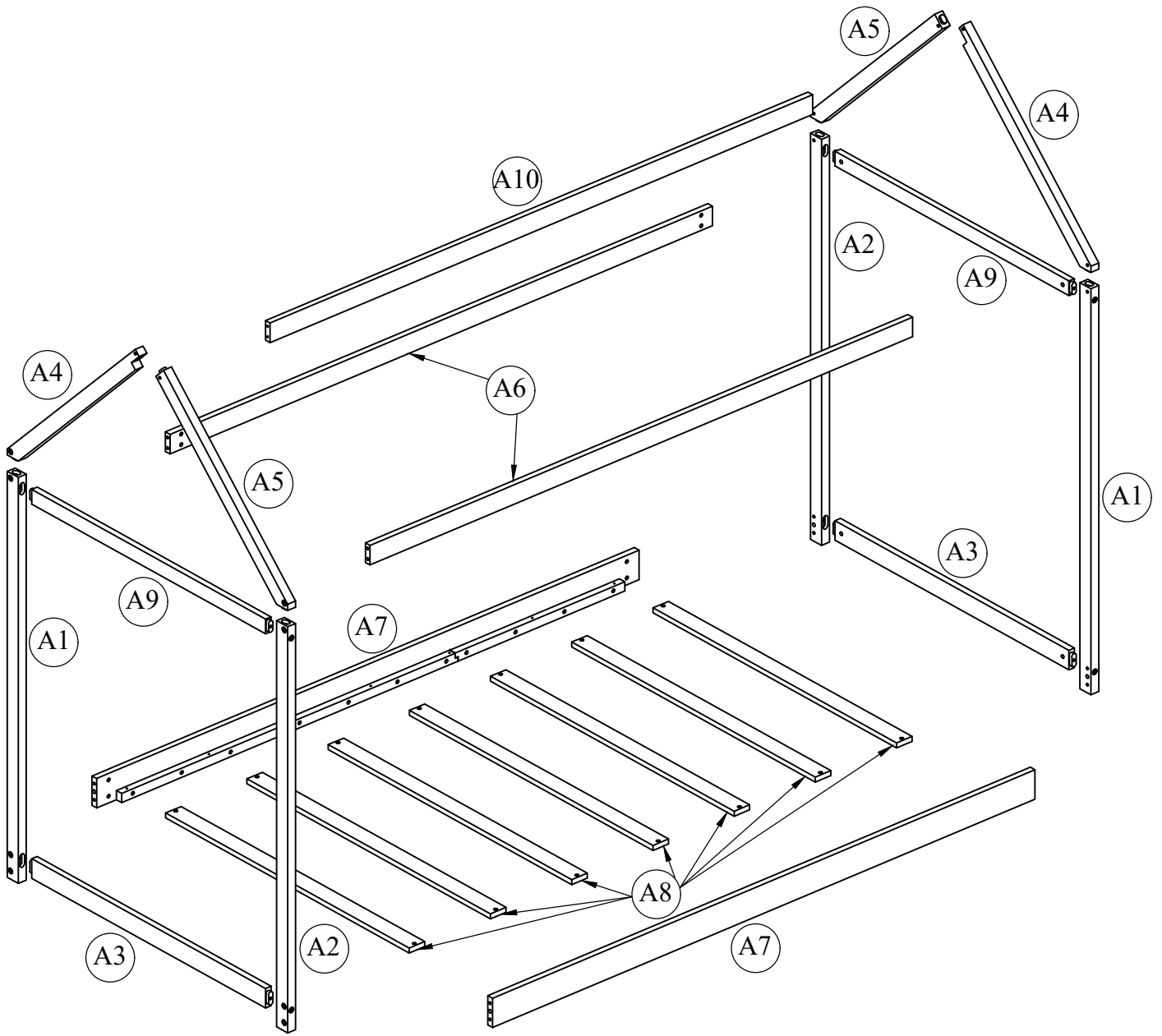


ASSEMBLY INSTRUCTIONS

HOUSE BED

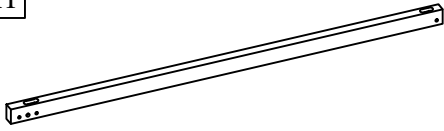


HB0203W



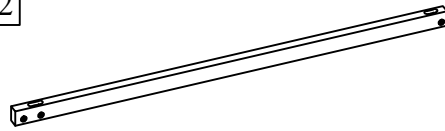
Part List

A1



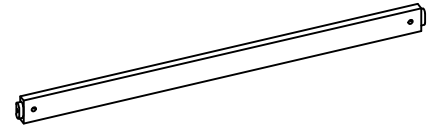
Leg - 2pcs

A2



Leg - 2pcs

A3



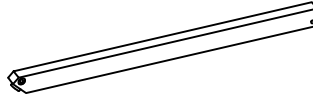
Bottom support bar - 2pcs

A4



Diagonal bar - 2pcs

A5



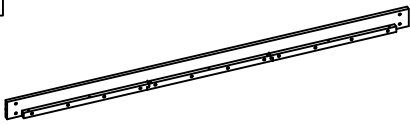
Diagonal bar - 2pcs

A6



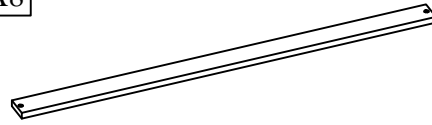
Front and back cross bar - 2pcs

A7



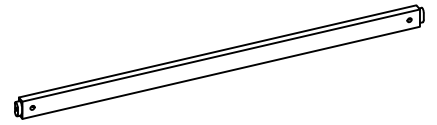
Side rail - 2pcs

A8



Slat - 7pcs

A9








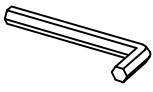
Upper support bar - 2pcs

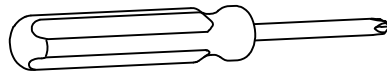
A10



Roof top cross bar - 1pc

Hardware List

1  Ø1/4"x80 Hex-Head bolts (24pcs)	2  Ø1/4"x70 Hex-Head Screws (4pcs)	3  Ø1/4"x15 (9.5mm) Horizontal-Hole nuts (24pcs)
4  Ø10x30 Wood dowel (4pcs)	5  M4x30 Wood Screws (14pcs)	6  4 x 57mm Allen key (1pc)



ASSEMBLY TOOLS REQUIRED (NOT INCLUDED)

Notice

PLEASE DO NOT FULLY TIGHTEN ANY SCREWS UNTIL ASSEMBLY IS COMPLETE.

This should be done as the final step.



If one or more screws are fully tightened during assembly, it may cause misalignment with the remaining holes.

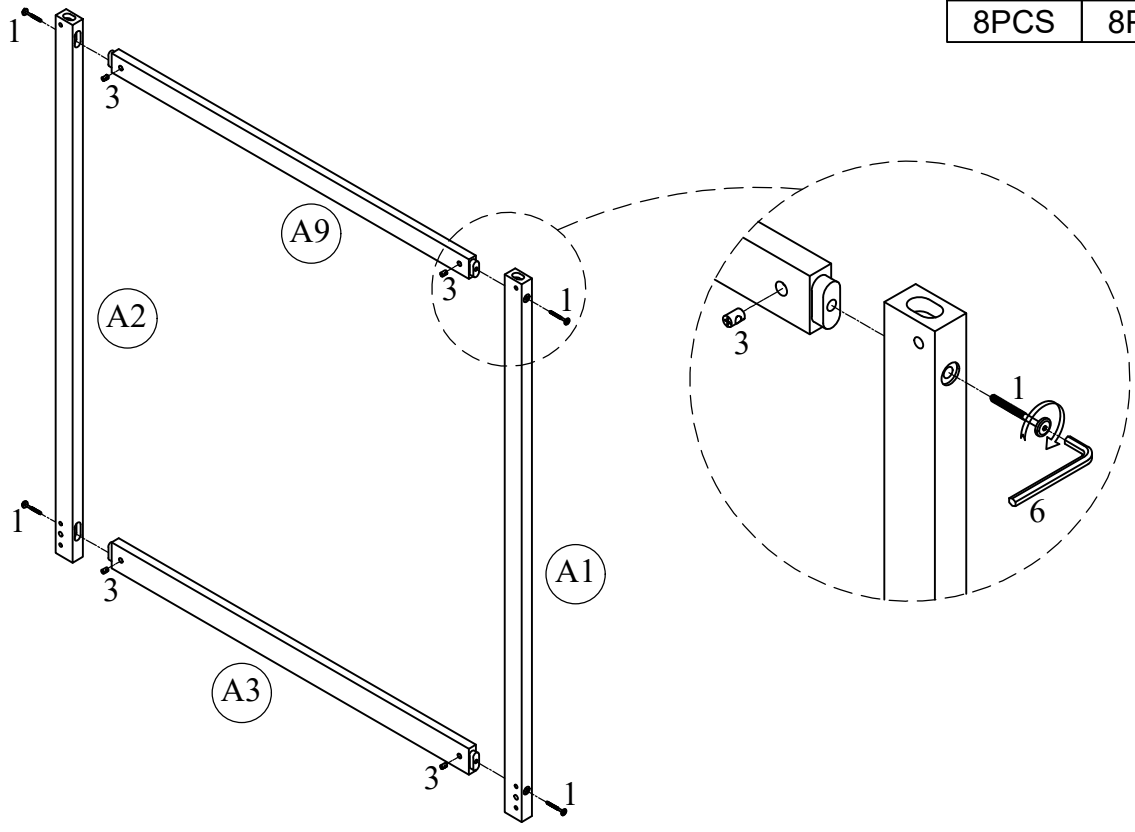
All holes are intentionally designed slightly larger to allow for adjustments during assembly.

Tips




1. Tighten all screws to about 50% before securing them fully. An Allen wrench is recommended instead of an electric drill.
2. Place the item on a flat surface to adjust and ensure it remains stable.
3. Gradually tighten all screws using appropriate tools.
4. If the screws do not align with the holes during assembly, loosen all other screws to 50% and continue the assembly.
5. If the item is unstable, loosen all screws, place the item on a flat surface, adjust as needed, and then re-tighten all screws.

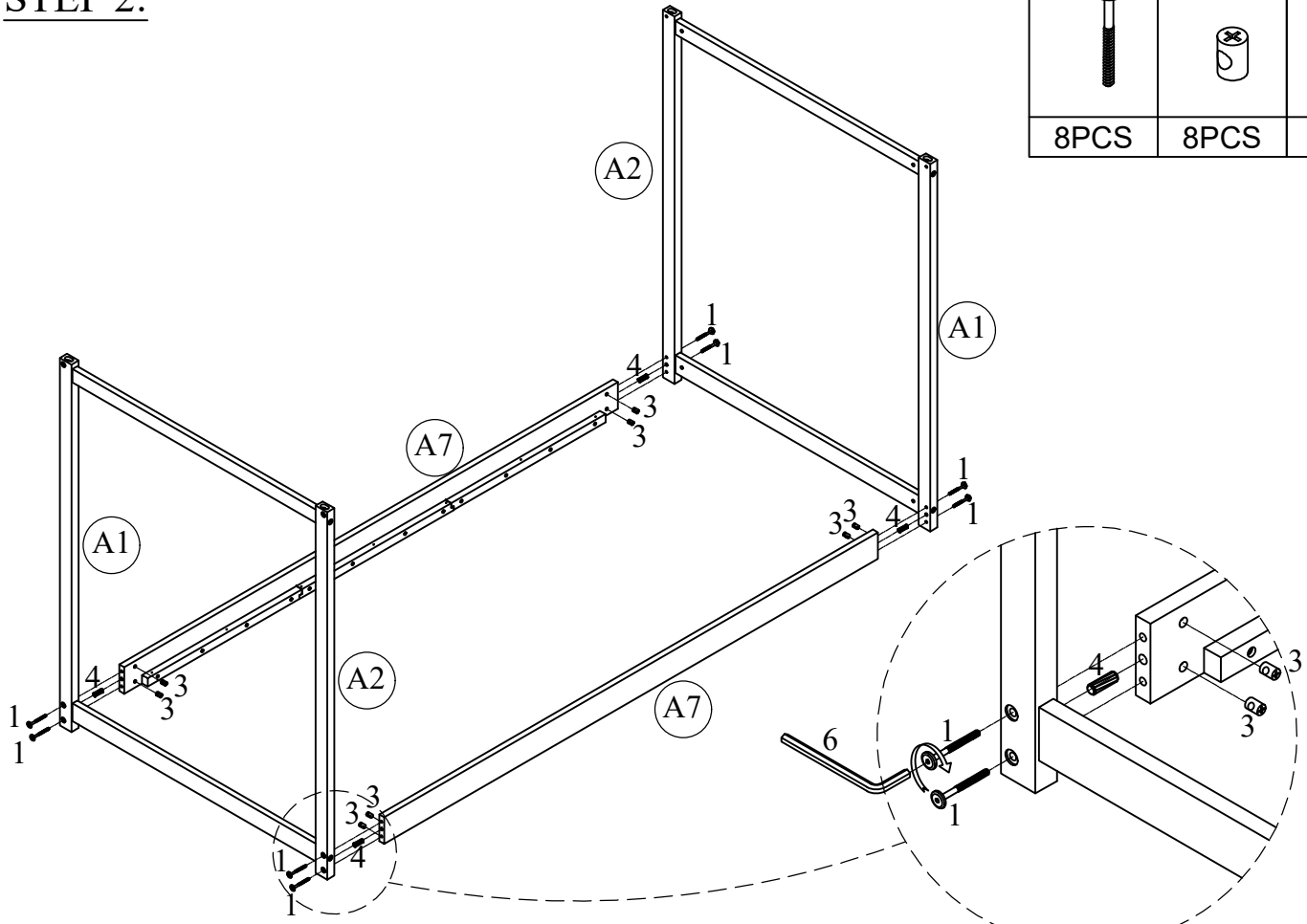
STEP 1: x2

1		3	
8PCS		8PCS	

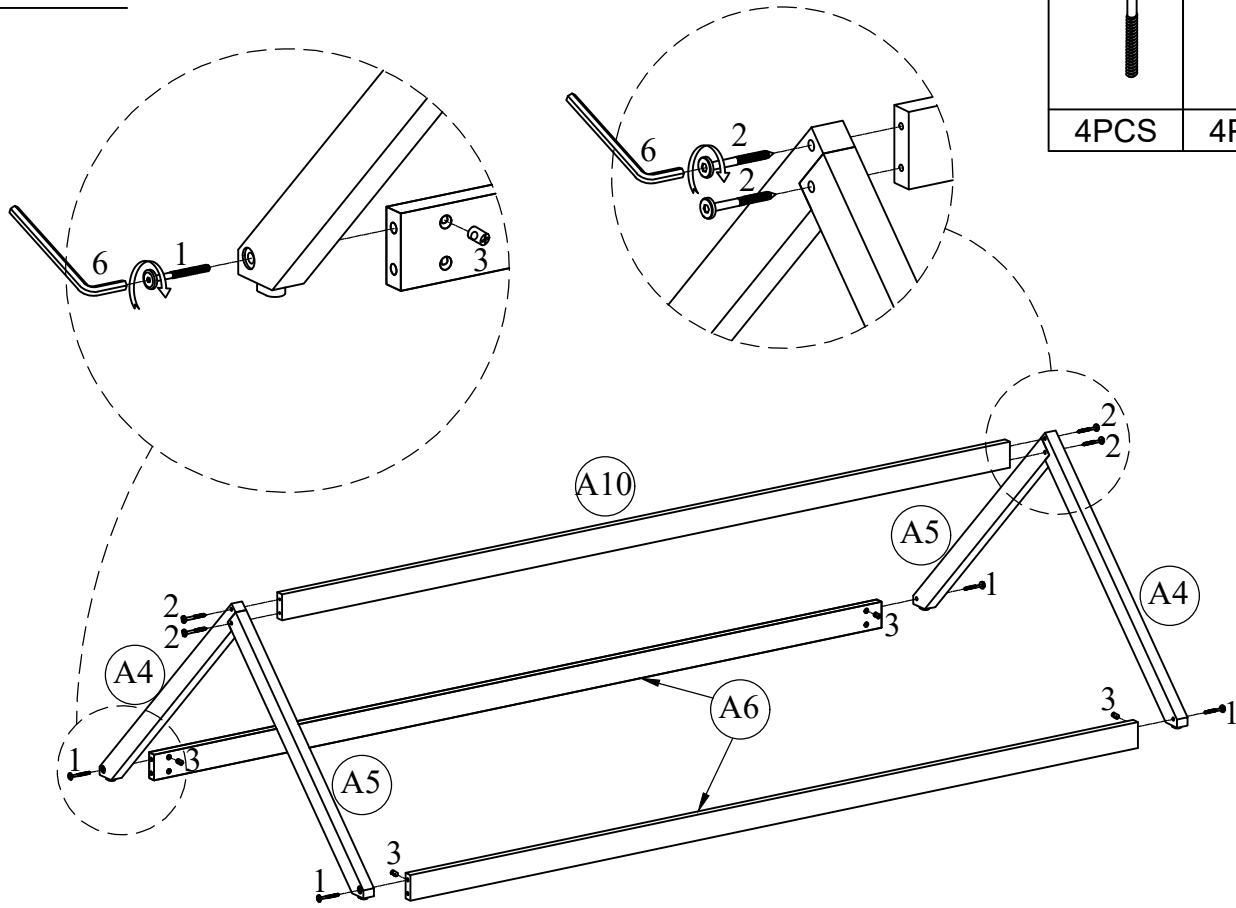


STEP 2:

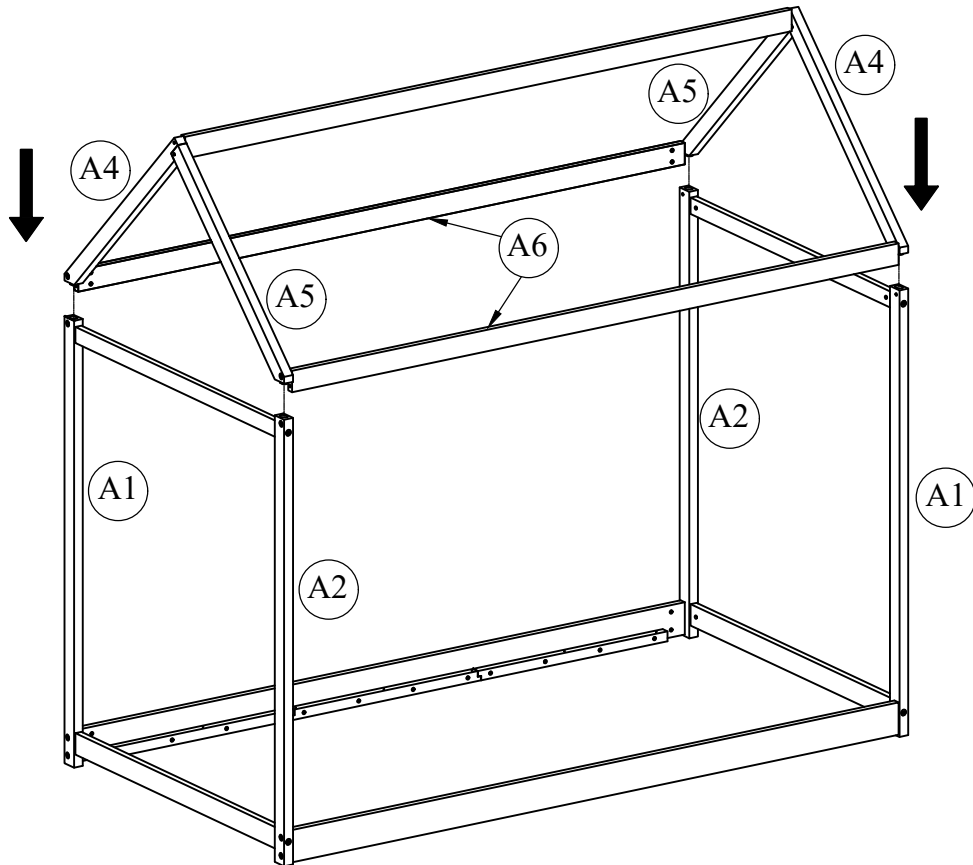
1		3		4	
8PCS		8PCS		4PCS	



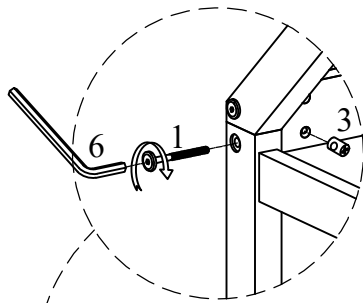
STEP 3:





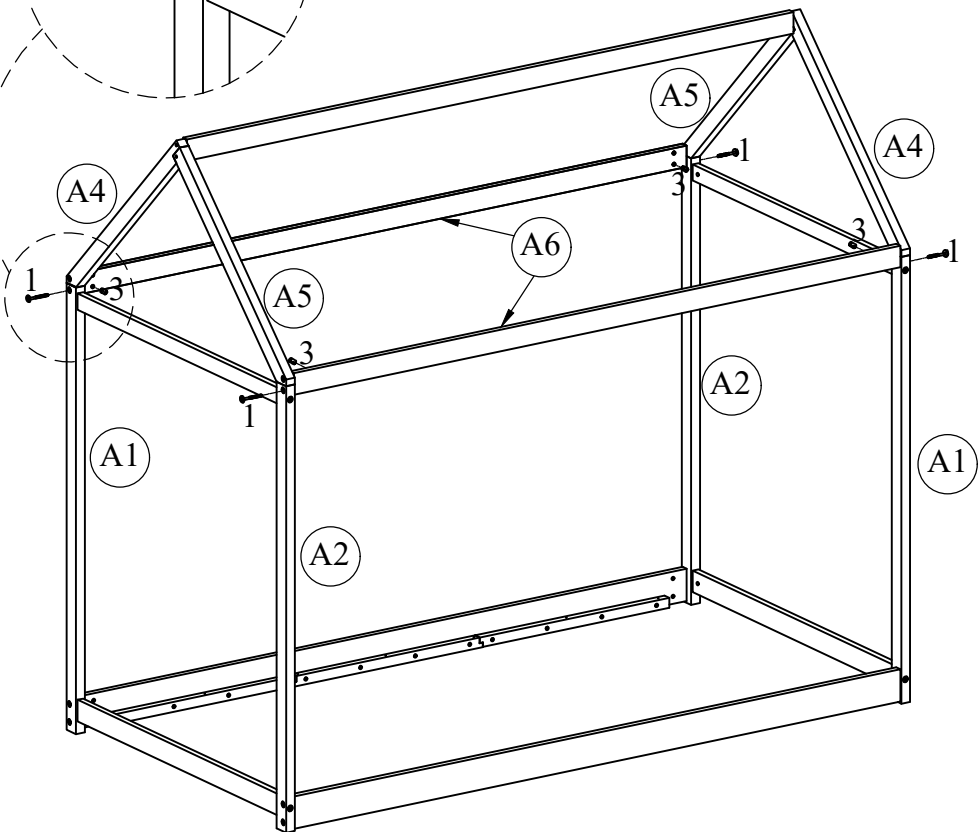
STEP 4:




STEP 5:



1		3	
4PCS		4PCS	



STEP 6:

5	
14PCS	

