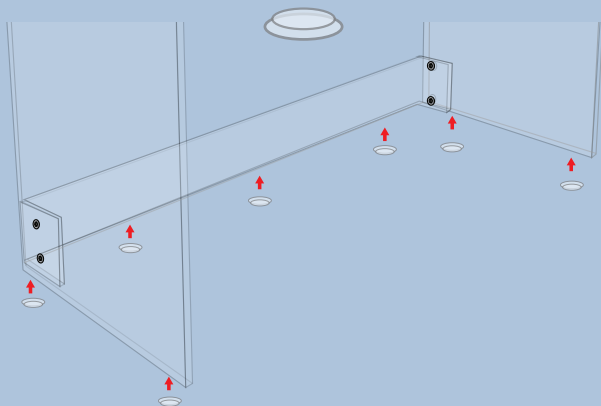


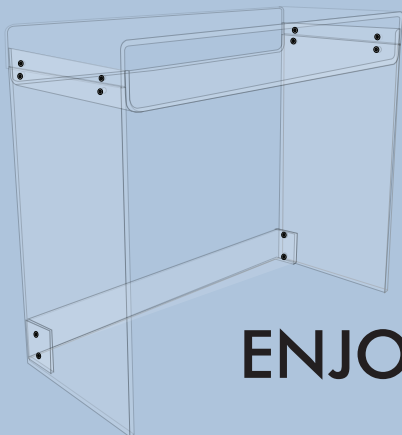
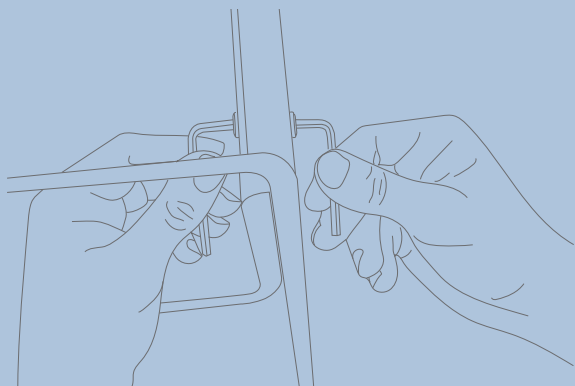
4

Apply clear adhesive pads where the red arrows are in the image.



5

Tighten all screws using hex keys, as shown.



ENJOY!

# STAUBER

AN AMERICAN INVENTION  
COMPANY

CONGRATULATIONS  
ON YOUR  
NEW ACRYLIC  
DESK!



Write a review on Amazon  
so that other customers  
can learn about  
this amazing product!



For more info and instructional  
videos visit our website at:

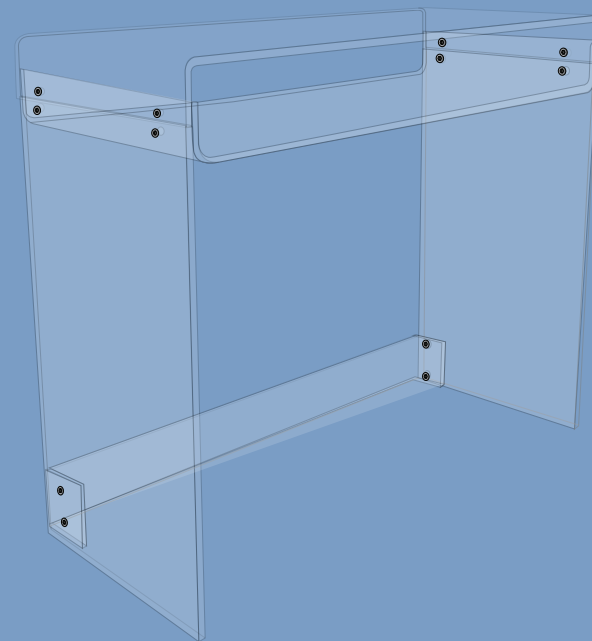
[STAUBERBEST.COM/products  
/acrylic-modern-desk](http://STAUBERBEST.COM/products/ acrylic-modern-desk)



# STAUBER

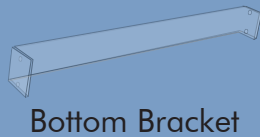
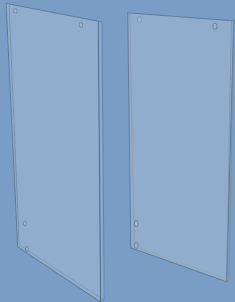
AN AMERICAN INVENTION  
COMPANY

## BEST ACRYLIC MODERN DESK



INSTRUCTIONS  
MODERN DESK WITH SHELF

# INCLUDED IN PACKAGE



Binding Screw



Binding Nut



Clear Adhesive Pads



Hex Tool

## FREE TOOL INCLUDED

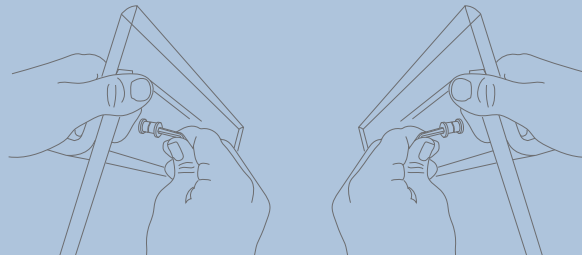
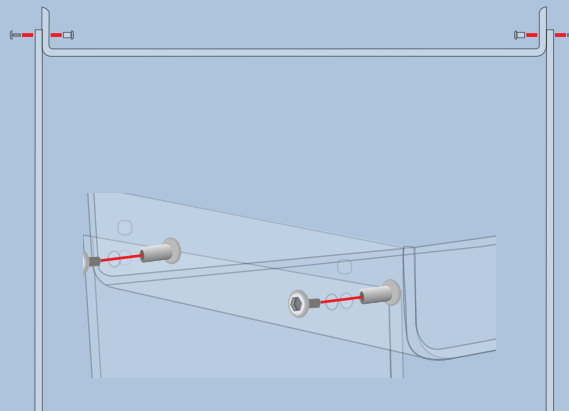


**PLEASE PEEL ALL  
PROTECTIVE FILM  
BEFORE USING  
PRODUCT**

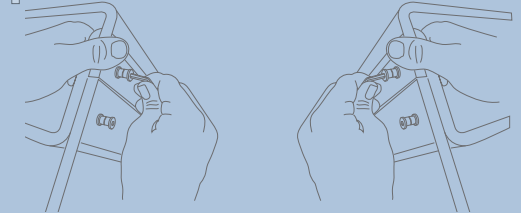
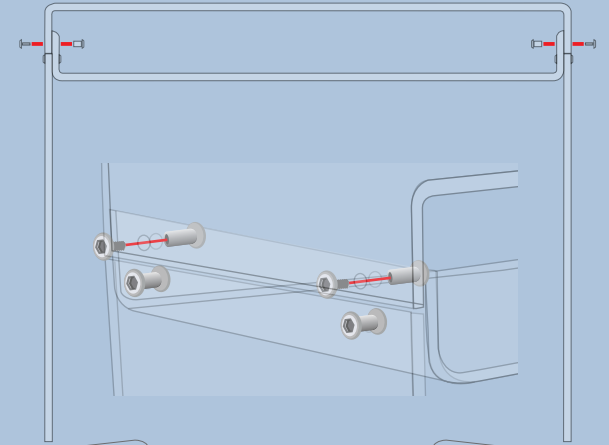
Before getting started, make sure you have suitable clean area to assemble the desk. Consider putting a blanket on the floor during assembly. Rest pieces on edges to avoid scratches.

## ASSEMBLY INSTRUCTIONS

- 1** Align holes from the Side Panels to the Shelf. Insert Bind Screws and Binding Nuts, as shown. Tighten loosely. (In final step, all screws will be fully tightened.)



- 2** Align holes from the Desk Top to the Shelf. Insert Binding Screws and Binding Nuts. Tighten loosely.



- 3** Align holes from the Bottom Bracket to the Side Panels. Insert Binding Screws and Binding Nuts. Tighten Loosely.

