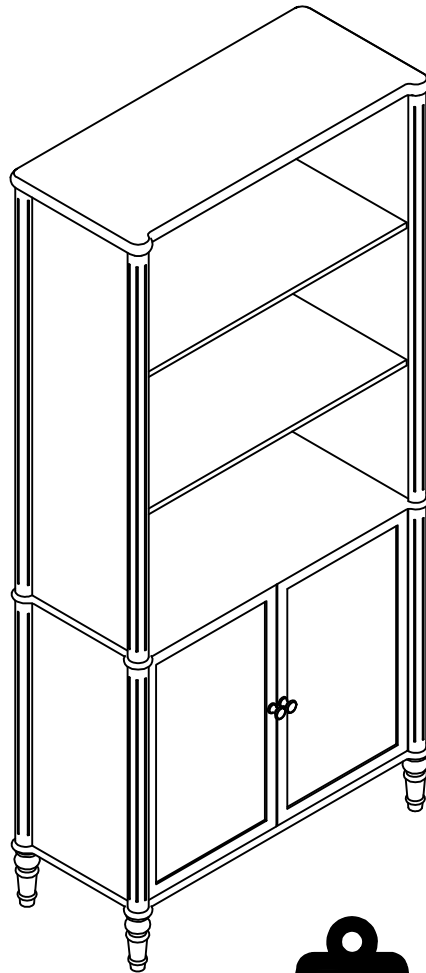


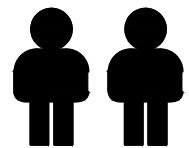
Installation & Assembly



Weight Limitation
200 LBS



Installation:
45 minutes.



Two Person

Thank You For Choosing Our Furniture

▀ If you have any questions or concerns,
don't hesitate to reach out to us. ▀

NOTE:

This brochure contains
IMPORTANT safety info.
Please read and keep it
for future reference.

MAINTENANCE AND WARNINGS



Before You Start

Please follow the steps below:

- ⚠ Check the packaging for any damage, deformation, or water stains. If there is significant damage, please contact us promptly.
- ⚠ Unpack the box and compare the contents with the parts list and hardware list to ensure all components and accessories are present and complete.
- ⚠ Please read the installation instructions carefully to understand the installation steps and precautions to ensure proper installation.
- ⚠ Clean the installation area in advance and ensure the ground is level and there is enough space to avoid damaging the furniture or making installation difficult.
- ⚠ Lay a protective mat on the ground to prevent scratching the floor during installation.

After-Sales Service

- If you encounter any issues or need technical support during use, please contact our after-sales team. We offer long-term maintenance and warranty services.



Precautions

- ⚠ This product is for indoor use only. Do not expose it to outdoor elements or high-humidity environments.
- ⚠ Keep the product away from high heat or open flames to prevent fire hazards.
- ⚠ Do not allow children to climb on the product, as this may cause tipping and result in personal injury.



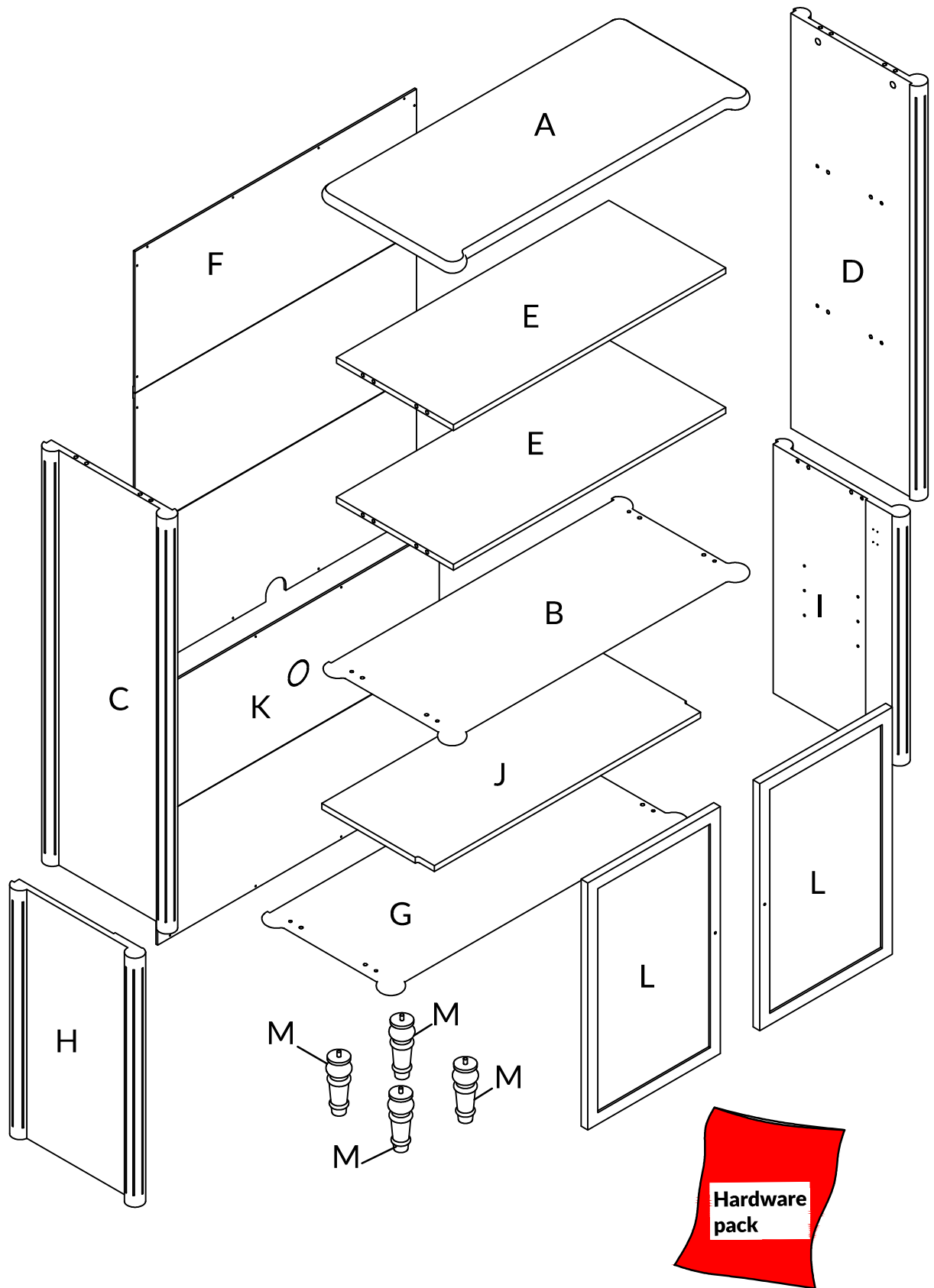
Safety Warnings

- ⚠ If you notice any loose or damaged parts, stop using the product immediately and contact customer service.
- ⚠ Do not attempt to disassemble or replace any components yourself, as this may affect the stability and safety of the product.

Daily Maintenance

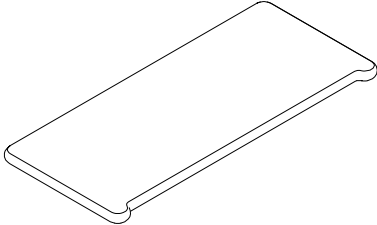
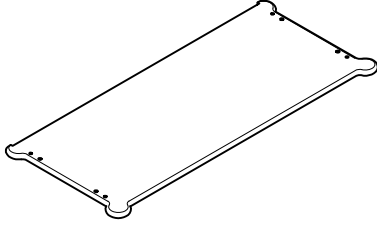


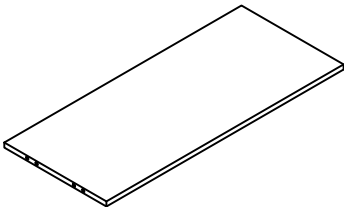
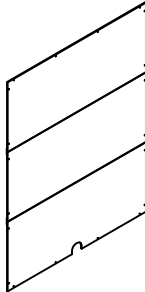
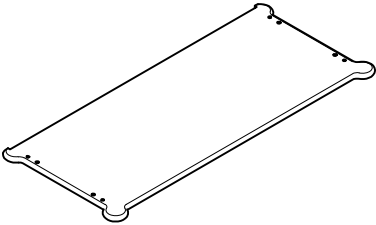
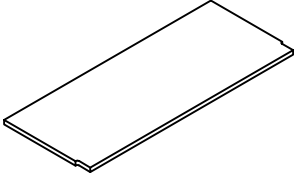
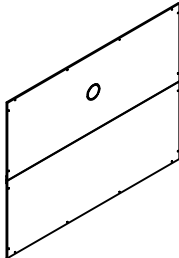
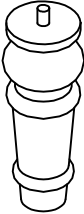

- Regularly clean the surface with a soft cloth to prevent dust accumulation.
- Do not use cleaning agents containing acids, alkalis, or corrosive substances, as they may damage the surface. It is recommended to use neutral cleaning agents or specialized furniture cleaners.
- Avoid exposing furniture to humid environments for extended periods. Use a dehumidifier or desiccant during humid weather.
- Avoid direct contact of furniture with water. If water is accidentally spilled, wipe it dry immediately.
- Avoid placing excessively heavy objects on the furniture: ensure the weight is within a reasonable load-bearing range.
- Avoid using sharp or rough items on the furniture surface to prevent scratches. Handle items gently when moving them.

Explosive view



Parts list

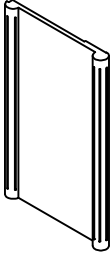
Box A

<p>A x1 Panel</p> 	<p>B x1 Upper bottom plate</p> 	<p>C x1 Upper left plate</p> 
<p>D x1 Upper right plate</p> 	<p>E x2 Upper plate</p> 	<p>F x1 Upper back board</p> 
<p>G x1 Base plate</p> 	<p>J x1 Lower plate</p> 	<p>K x1 Lower back panel</p> 
<p>Mx4 Cabinet leg</p> 	<p>N x1 Hardware Pack</p> 	

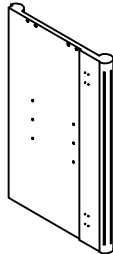
Parts list

Box B

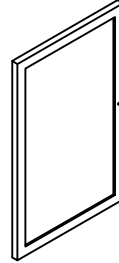
H x1 Lower left panel



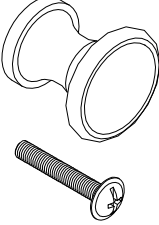
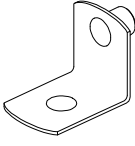
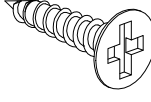
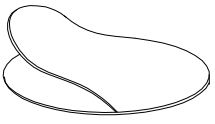

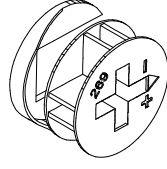
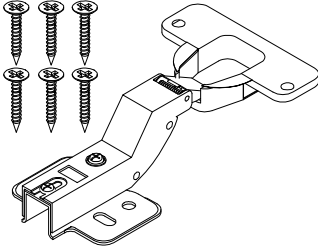
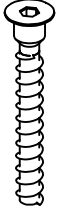
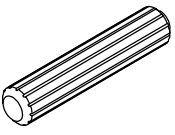
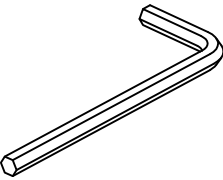
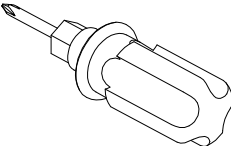
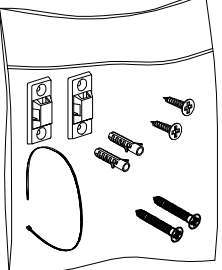
I x1 Lower right plate

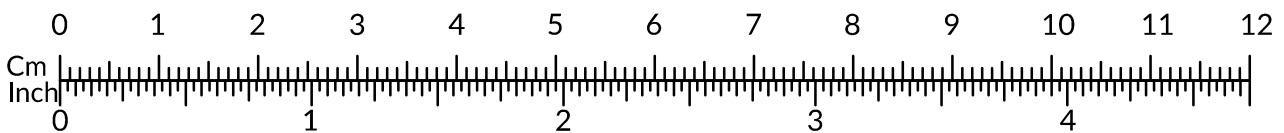


L x2 Door panel



Hardware List

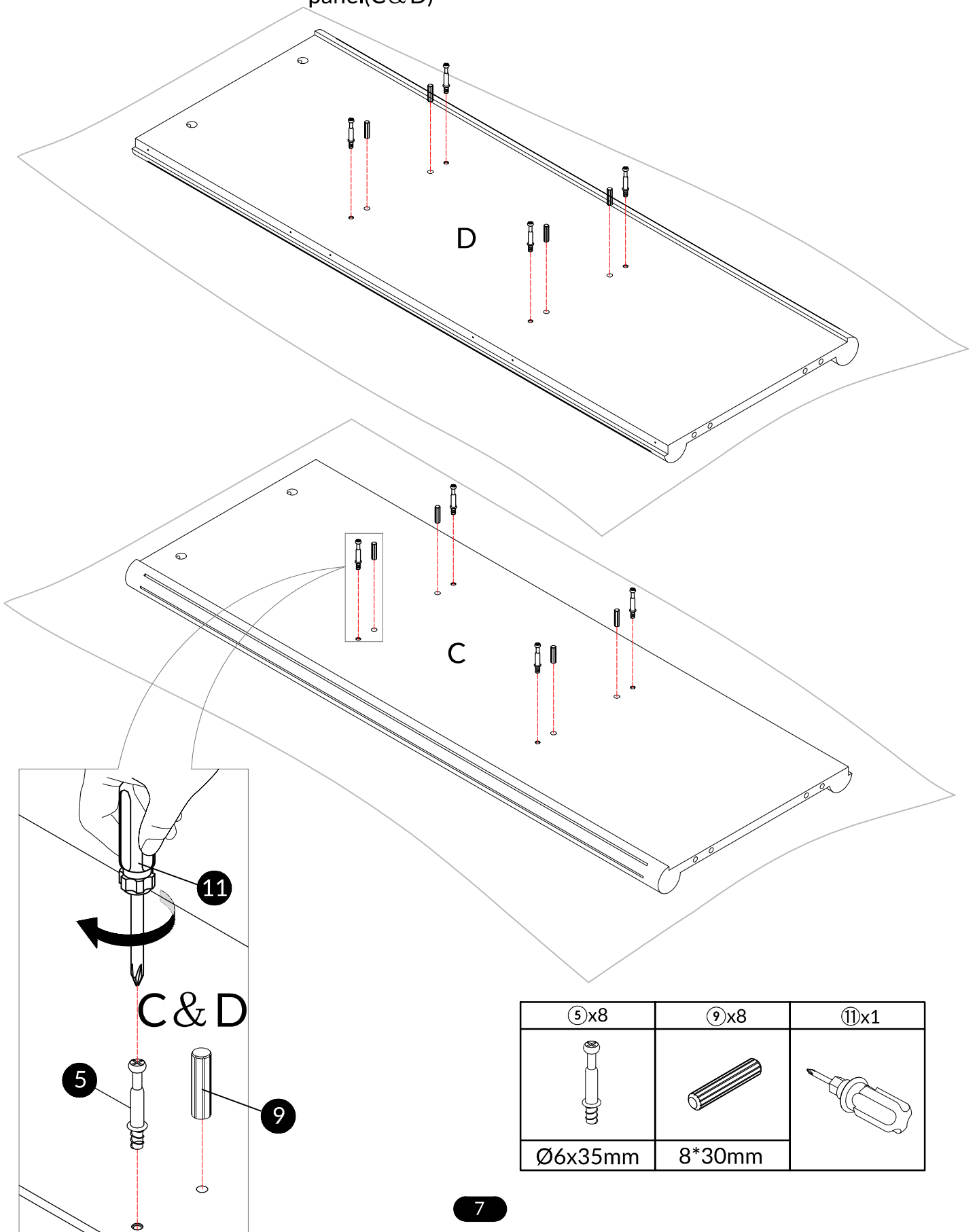
<p>①x2 Handle</p>  <p>4x25mm</p>	<p>②x4+1 Shelf bracket</p> 	<p>③x36+3 Screw</p>  <p>Ø3x19mm</p>
<p>④x16+3 Screw hole sticker</p>  <p>φ21</p>	<p>⑤x16+3 Screw</p>  <p>Ø6x35mm</p>	<p>⑥x16+3 Cam bolt</p>  <p>Ø15x9.5mm</p>
<p>⑦x4 Hinge</p> 	<p>⑧x8+1 Screw</p>  <p>M6x50mm</p>	<p>⑨x24+3 Wood plug</p>  <p>8x30mm</p>
<p>⑩x1 Hex key</p>  <p>M4</p>	<p>⑪x1 Cross wrench</p> 	<p>⑫x2 Anti-tip hardware kit</p> 



Note: Before installing the screws, please first distinguish the length of the screw rods.

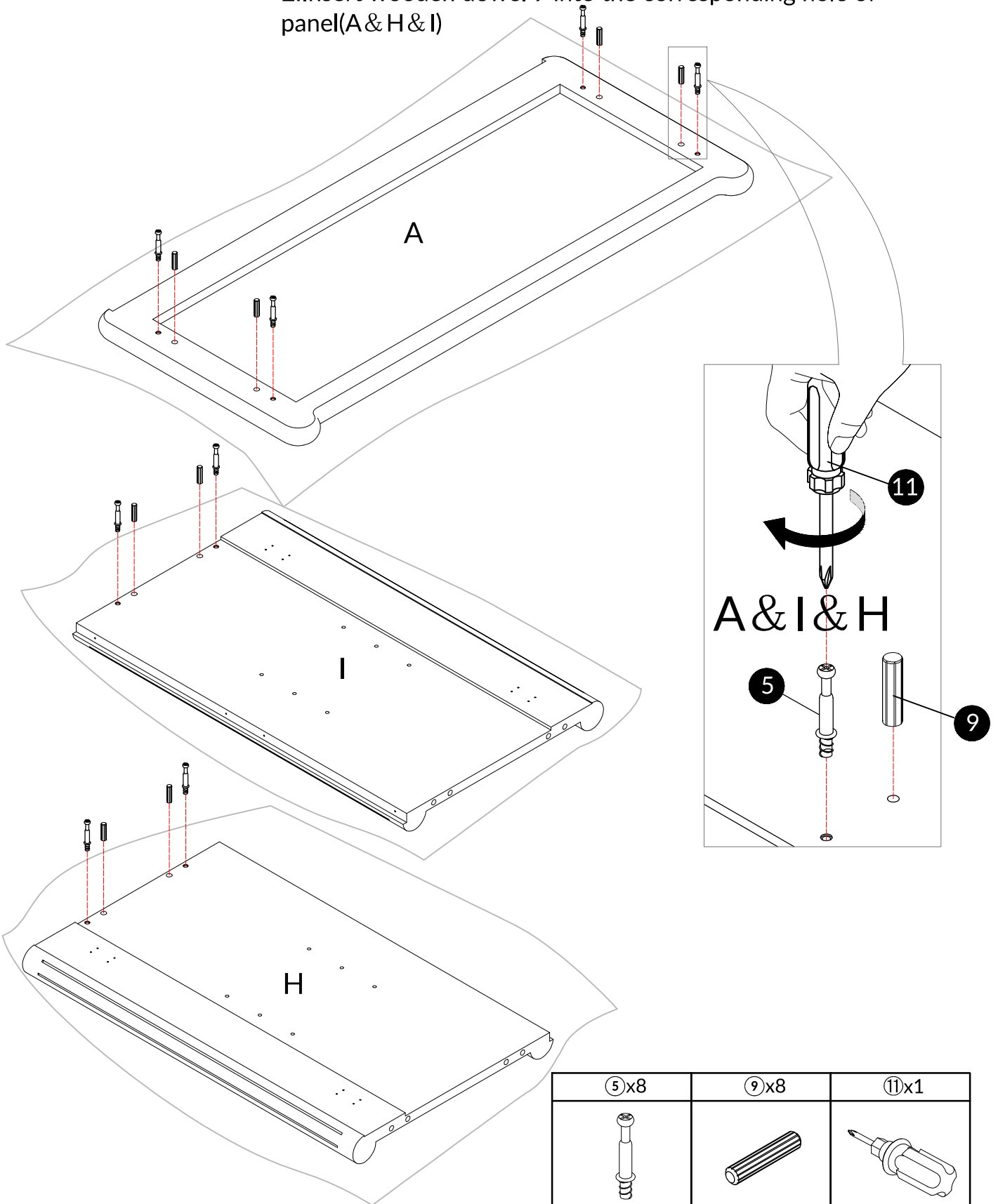
Step 1


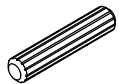
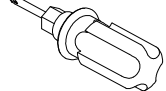
1. Insert bolt 5 into the corresponding hole of top panel (C & D), tighten bolt 5 with screwdriver 11.
2. Insert wooden dowel 9 into the corresponding hole of panel (C & D)



Step 2

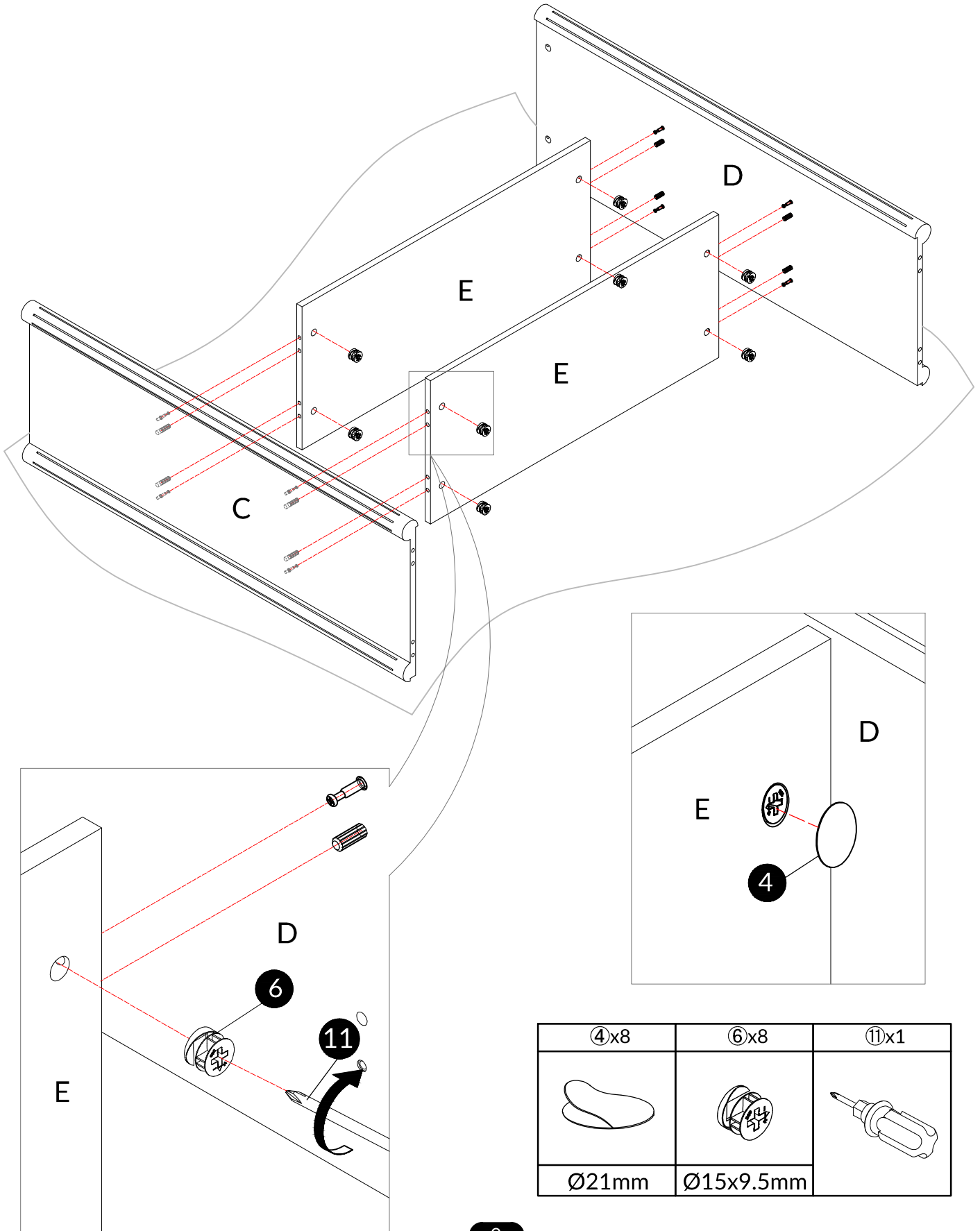
1. Insert bolt 5 into the corresponding hole of top panel (A & H & I), tighten bolt 5 with screwdriver 11.
2. Insert wooden dowel 9 into the corresponding hole of panel (A & H & I)



⑤x8	⑨x8	⑪x1
		
Ø6x35mm	8*30mm	

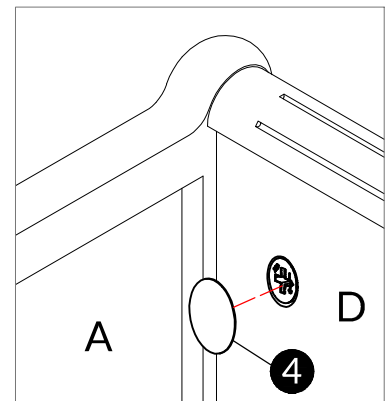
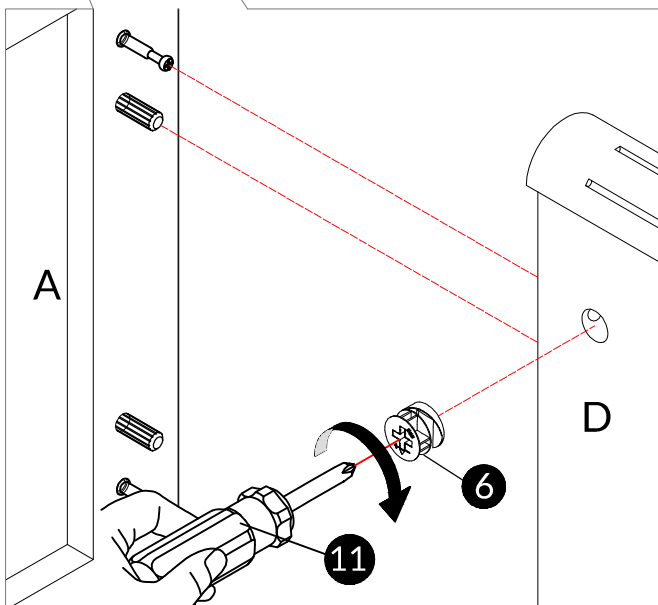
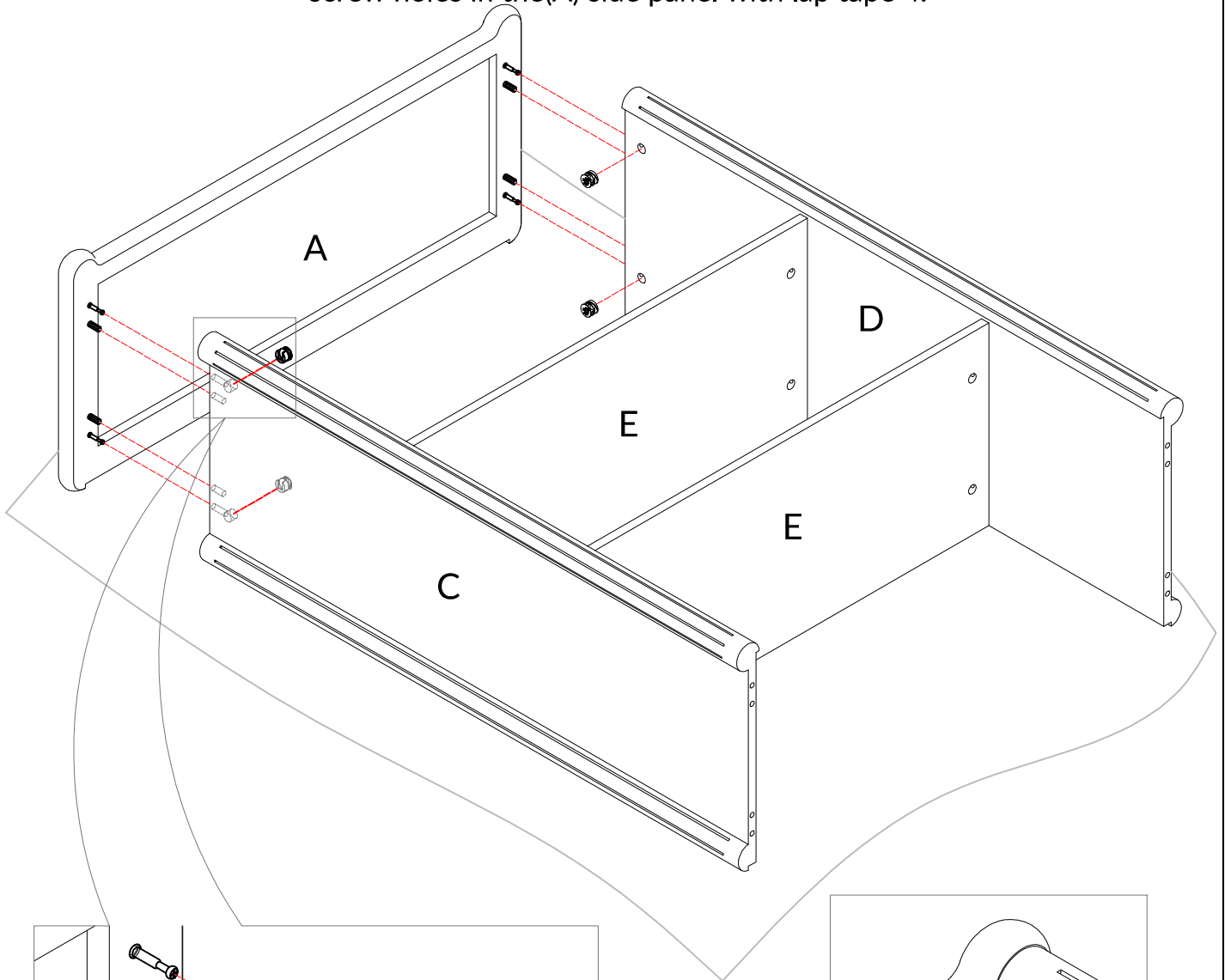
Step 3

Insert the panels (E) into the side panels (C&D), make sure all holes are aligned and insert cam bolt 6 into the corresponding hole of panel (E), tighten cam bolt 4 with screwdriver 11, Cover the two screw holes in the (E) side panel with lap tape 4.



Step 4

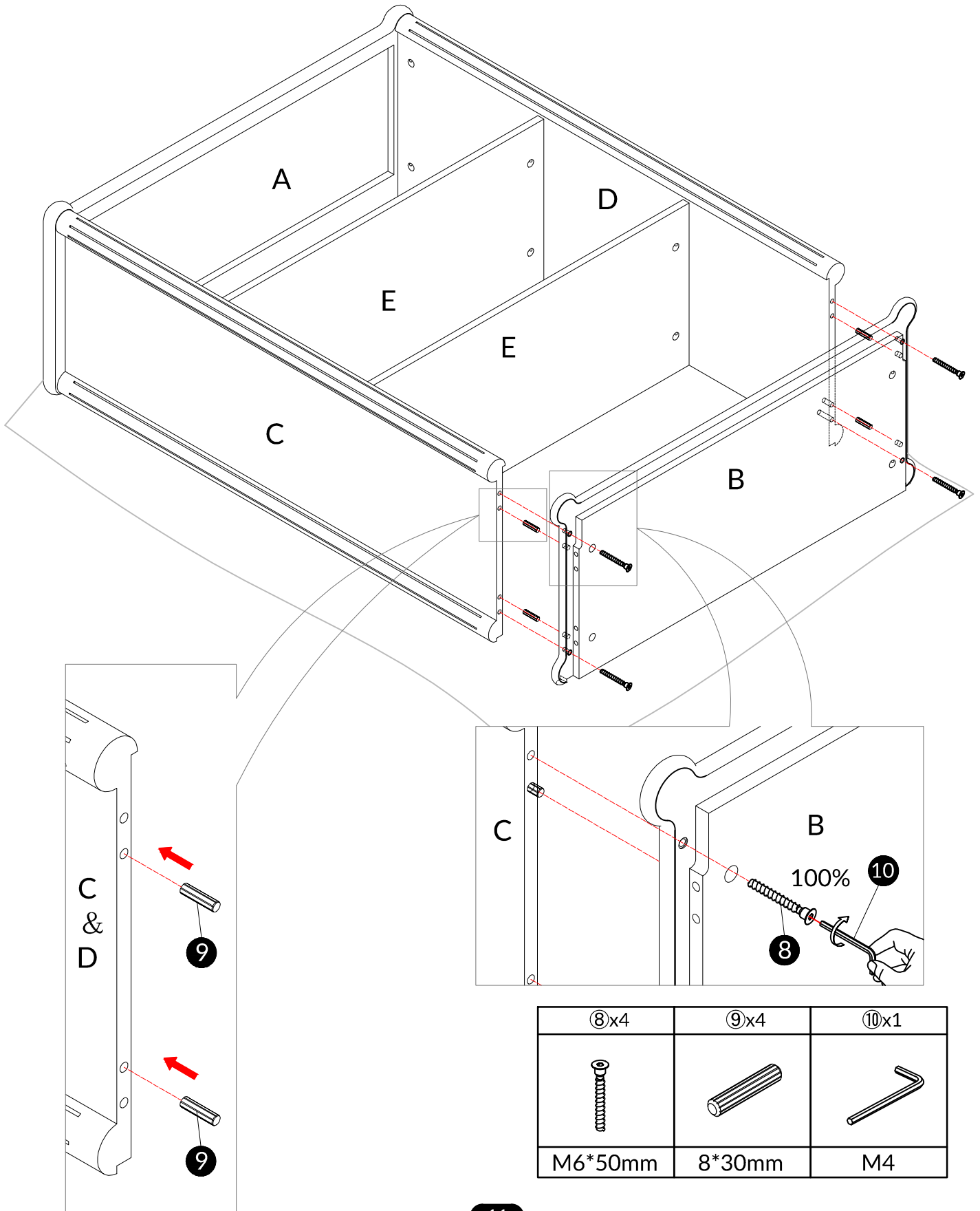
Insert the panels (C&D) into the side panels (A), make sure all holes aligned and insert cam bolt 6 into the corresponding hole of panel (C&D), tighten cam bolt 4 with screwdriver 11, Cover the two screw holes in the (A) side panel with lap tape 4.



④x4	⑥x4	⑪x1
Ø21mm	Ø15x9.5mm	

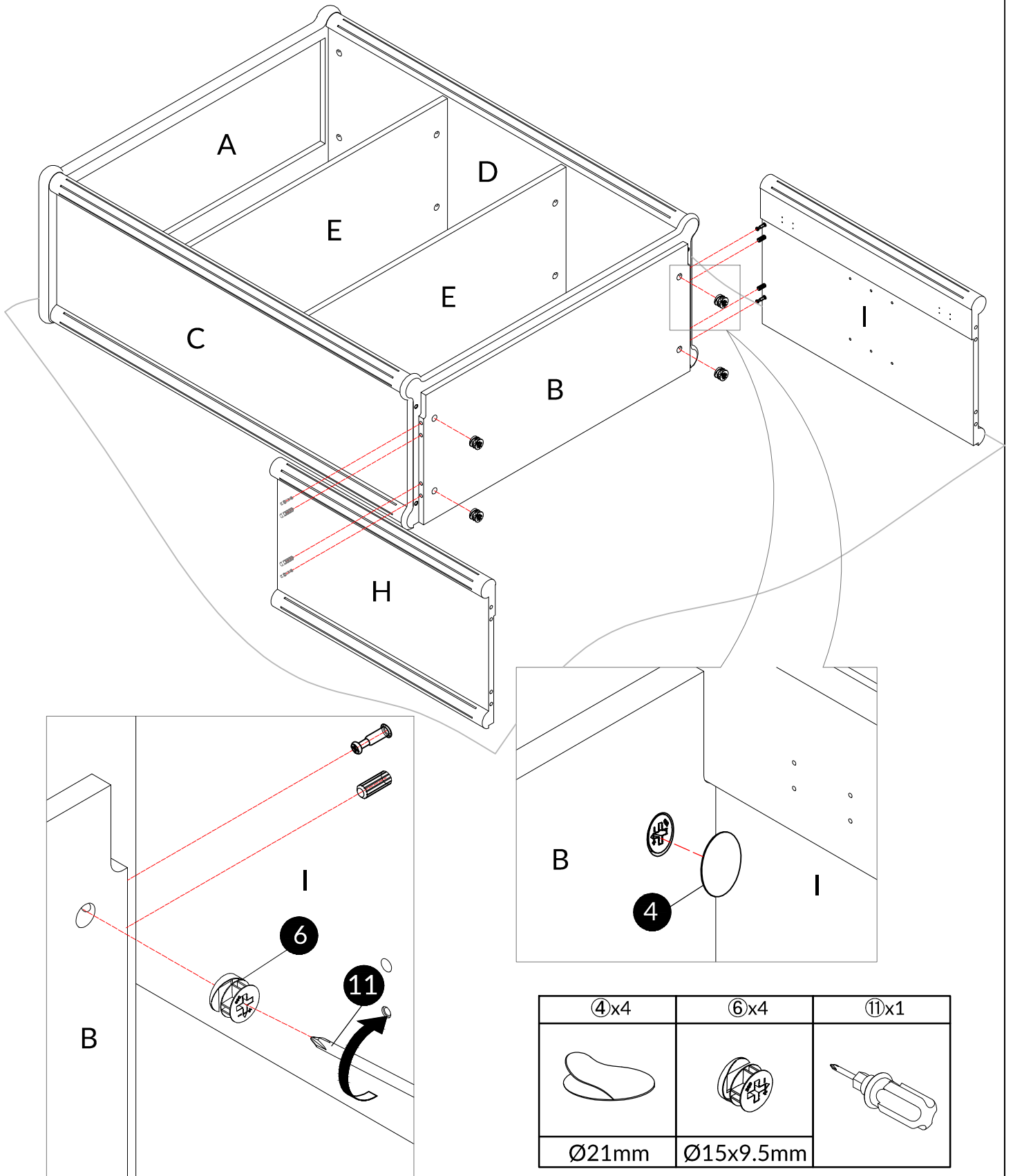
Step 5

1. Insert wooden dowel 9 into the corresponding hole of panel(C&D)
2. Then align the holes in part(B), Insert screw 8 and push it down so that it connects to parts (C&D). Next, and tighten the screw 8 with an Allen key 10 to 100% in Step 5.



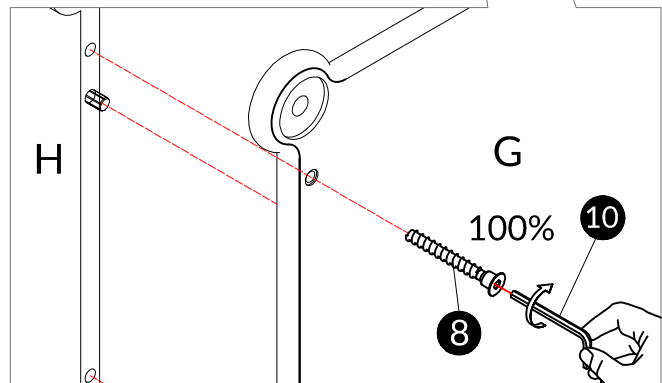
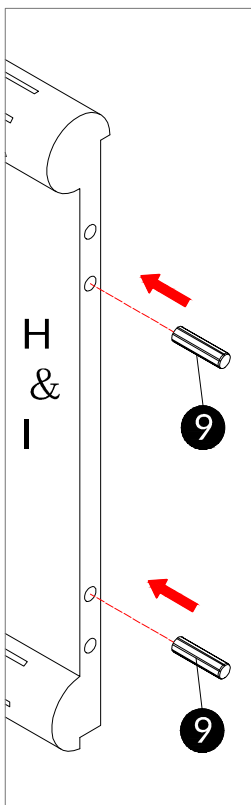
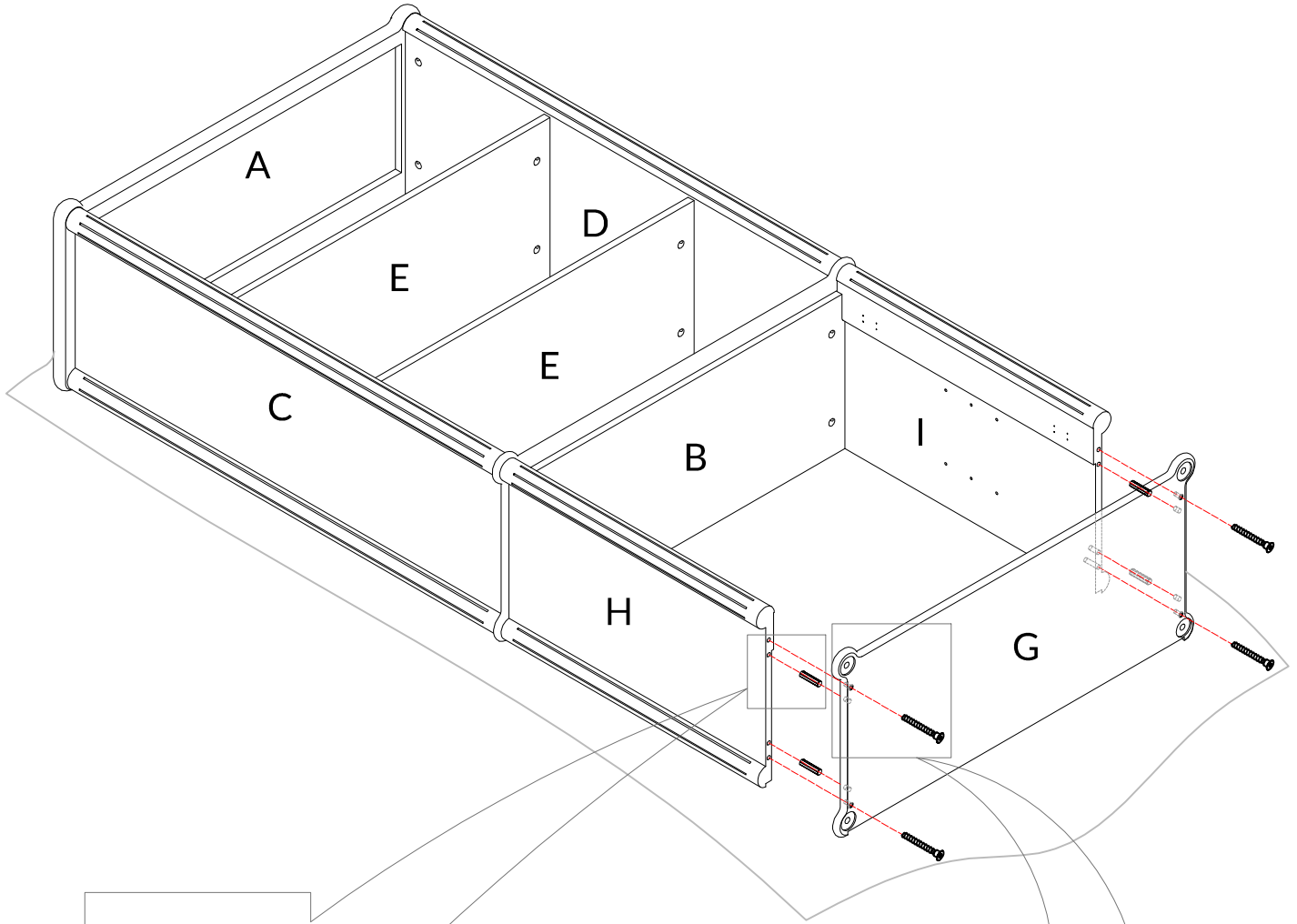
Step 6


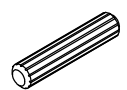
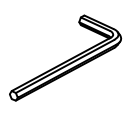
Insert the panels (B) into the side panels (H&I), make sure all holes aligned and insert cam bolt 6 into the corresponding hole of panel (B), tighten cam bolt 4 with screwdriver 11, Cover the two screw holes in the (B) side panel with lap tape 4.



Step 7

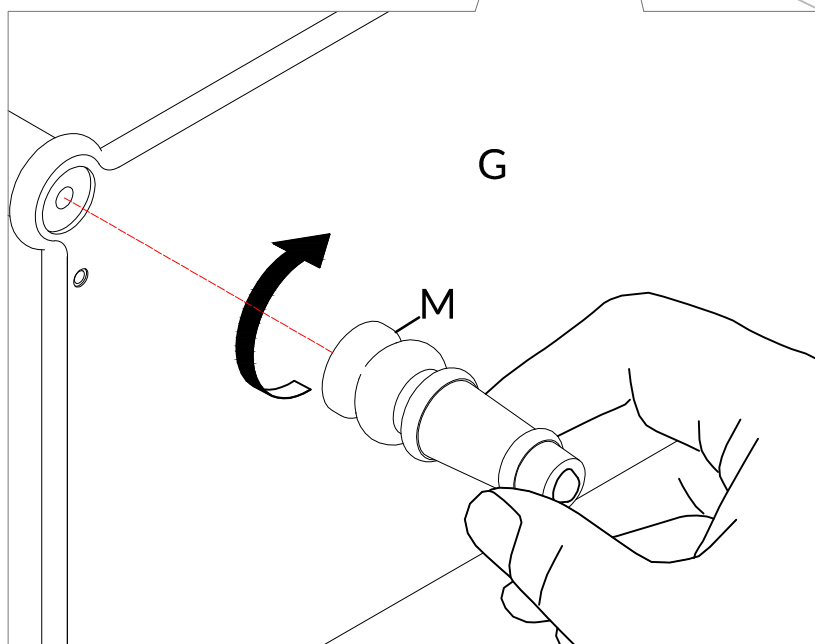
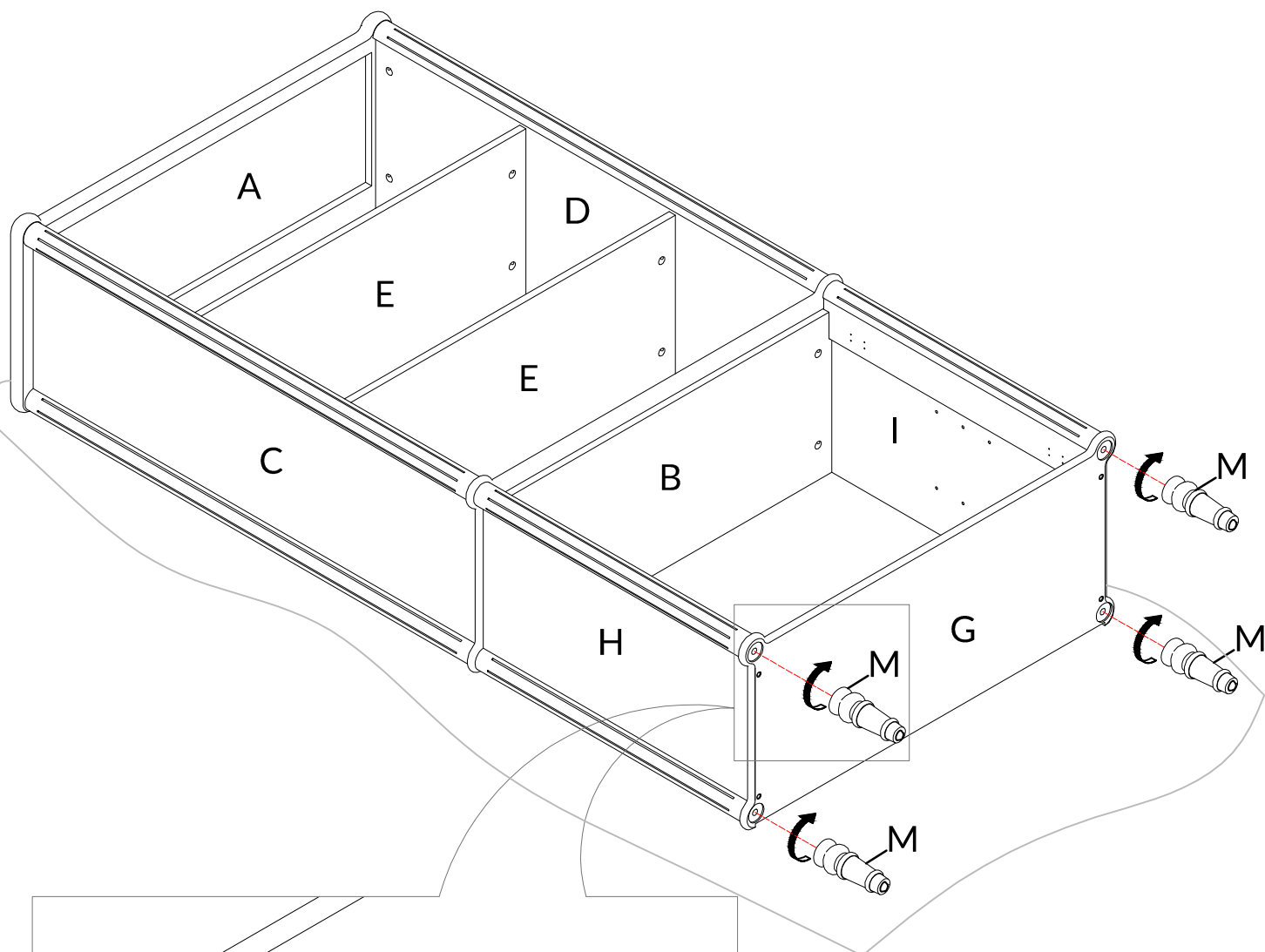
1. Insert wooden dowel 9 into the corresponding hole of panel(H&I)
2. Then align the holes in part(G), insert screw 8 and push it down so that it connects to parts (H&I). Next, and tighten the screw 8 with an Allen key 10 to 100% in Step 7.



⑧x4	⑨x4	⑩x1
		
M6*50mm	8*30mm	M4

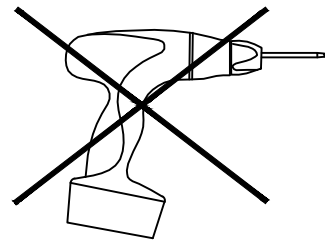
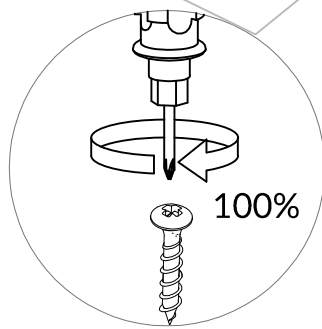
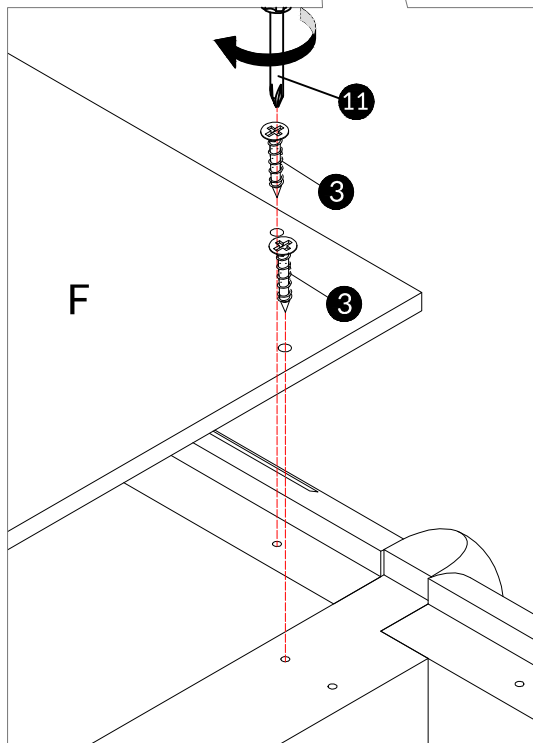
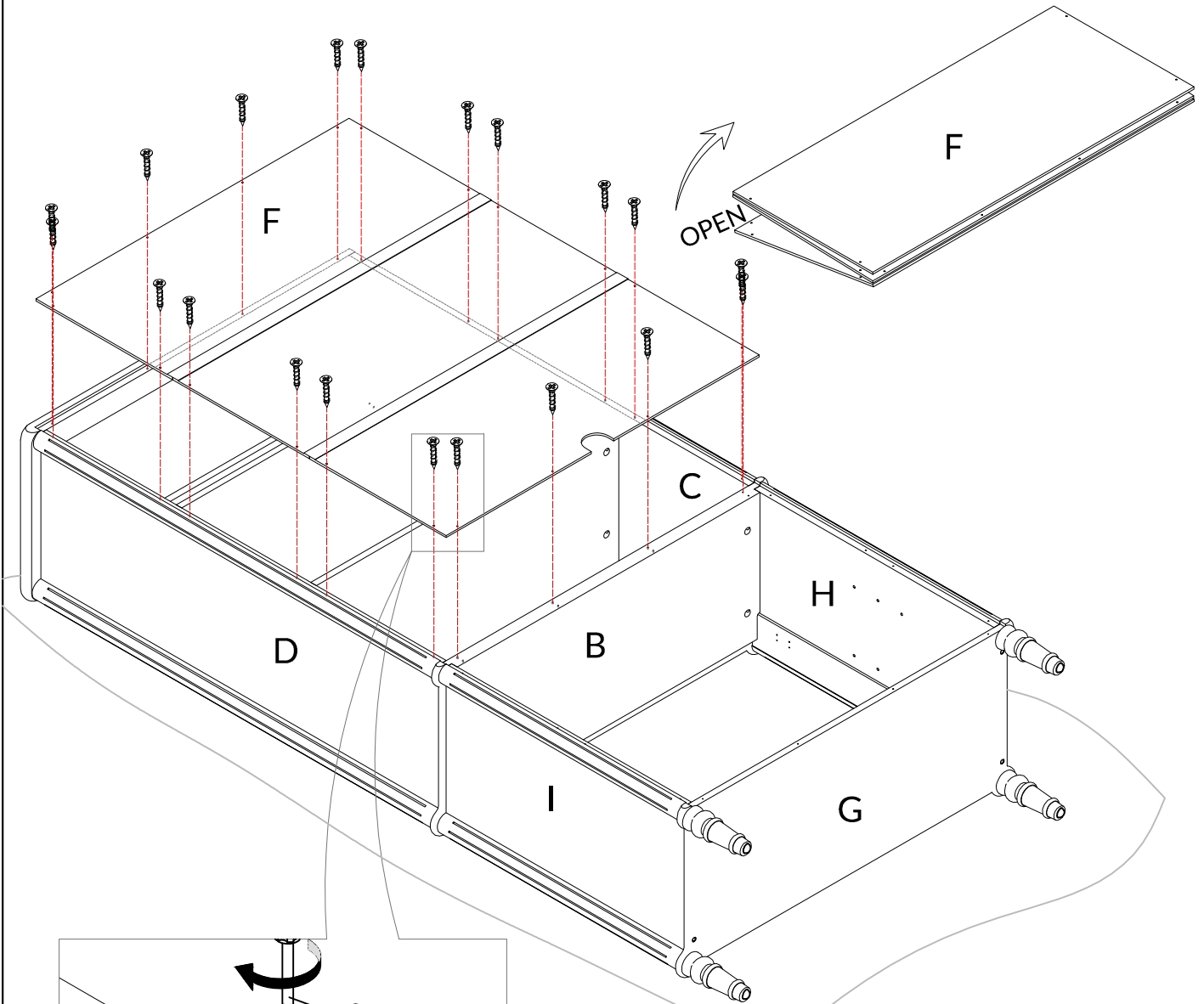
Step 8

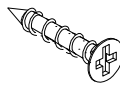
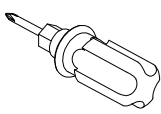
Screw the four leg(M) onto the base plate(G)



Step 9

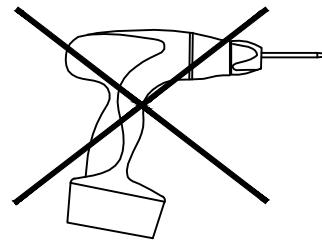
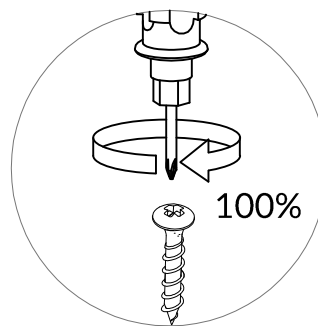
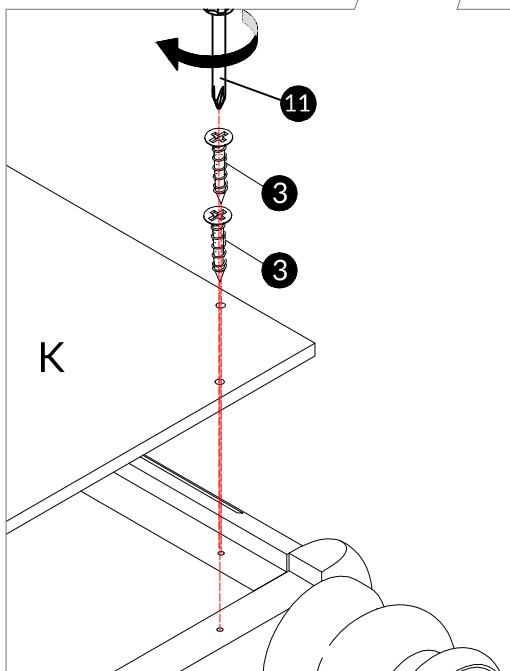
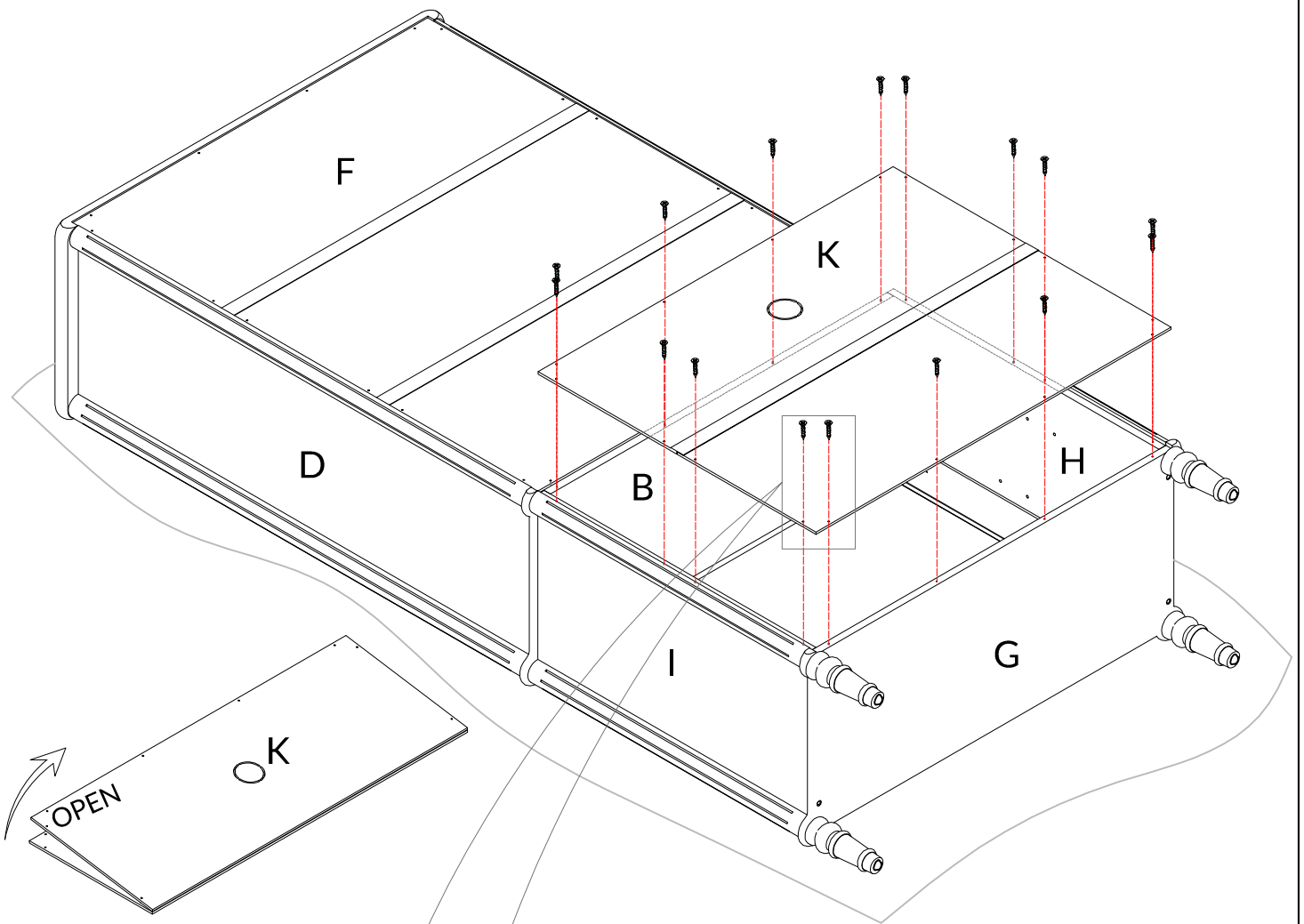
Tighten the screws 3 to 100% in Step 9.

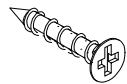
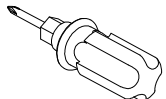


③x20	⑪x1
	
Ø3x19mm	

Step 10

Tighten the screws 3 to 100% in Step 10.

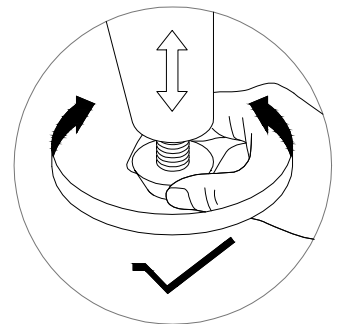
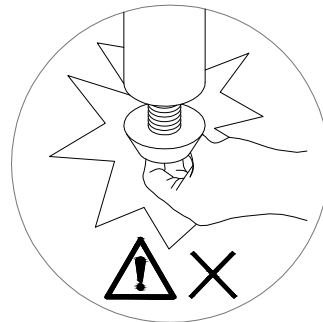
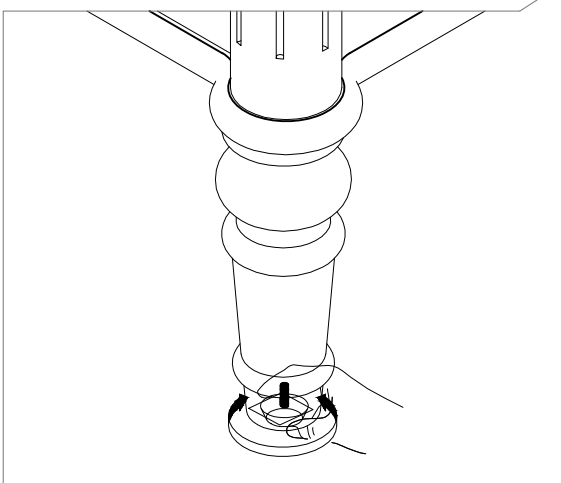
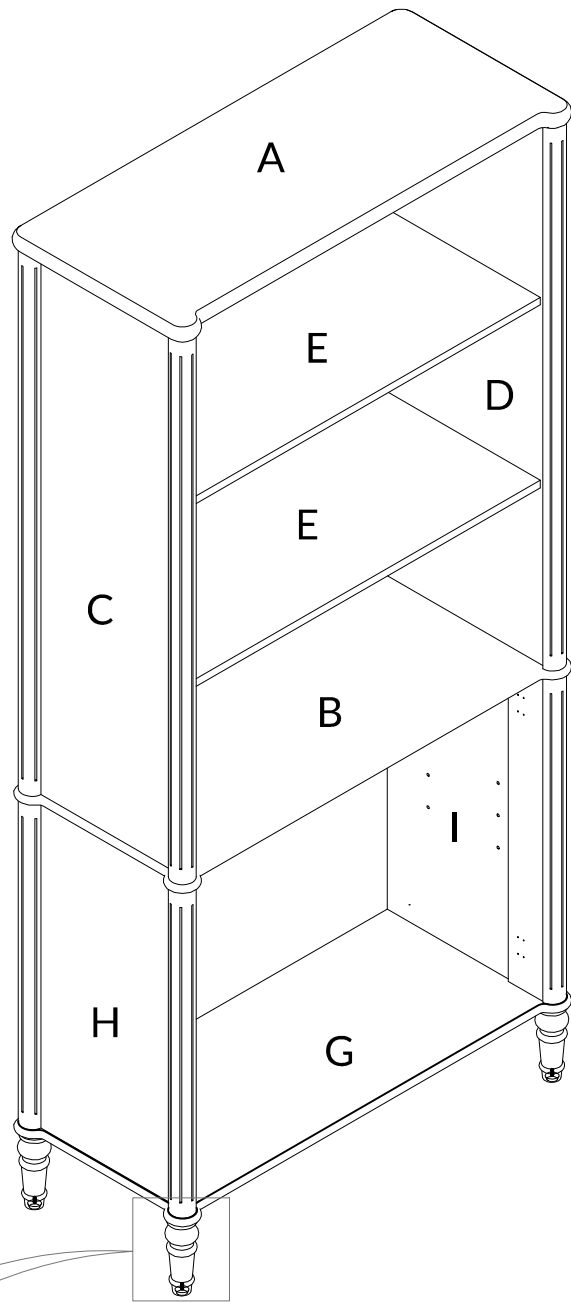


③x16	⑪x1
	
Ø3x19mm	

Step 11

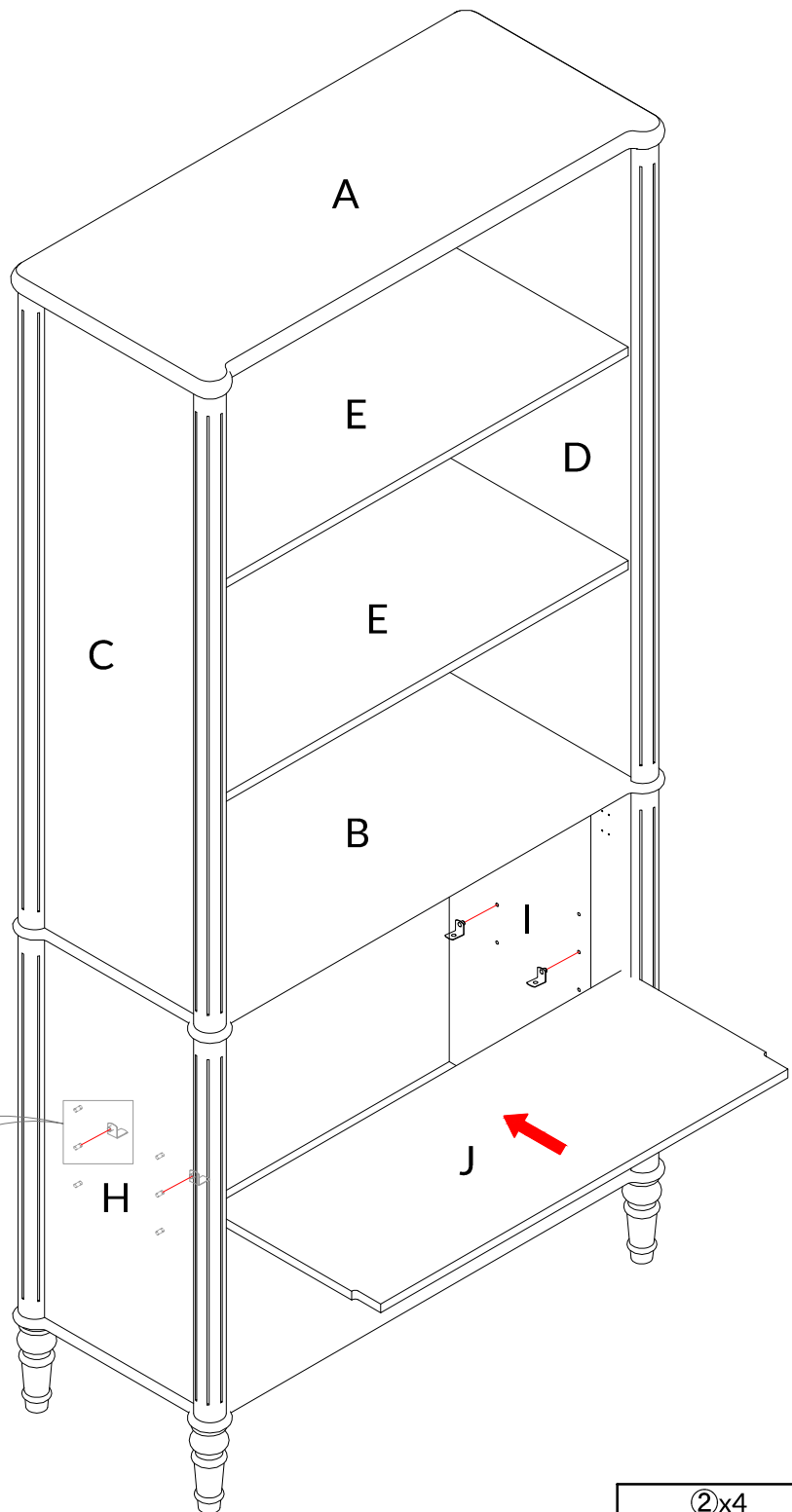


Attention:
Before the next step, adjust the feet of
the locker to keep it level.

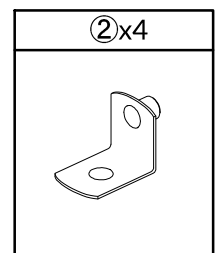
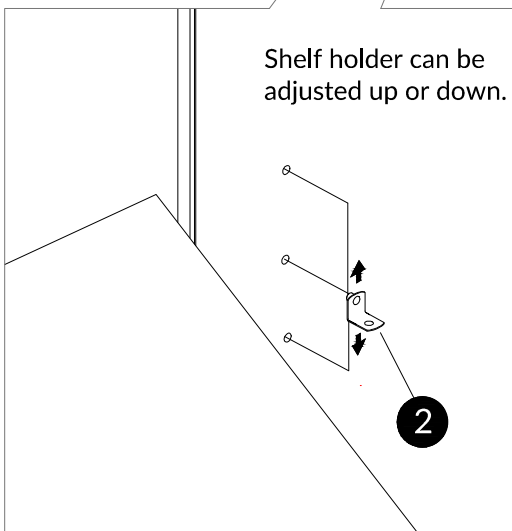


Step 12

Insert the shelf board J.

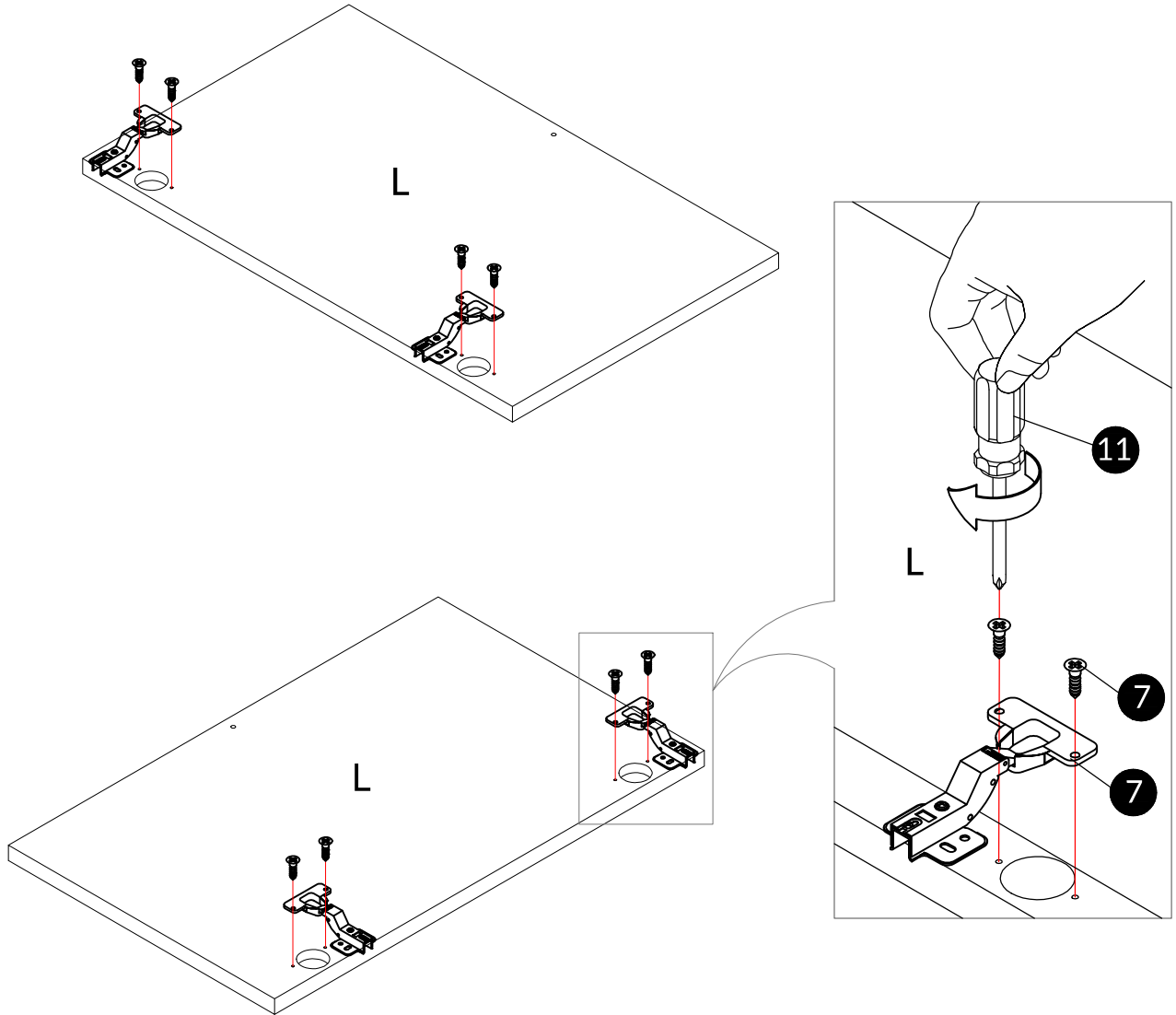


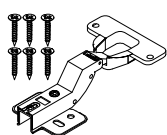
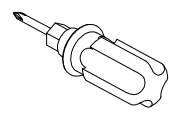
Shelf holder can be adjusted up or down.



Step 13

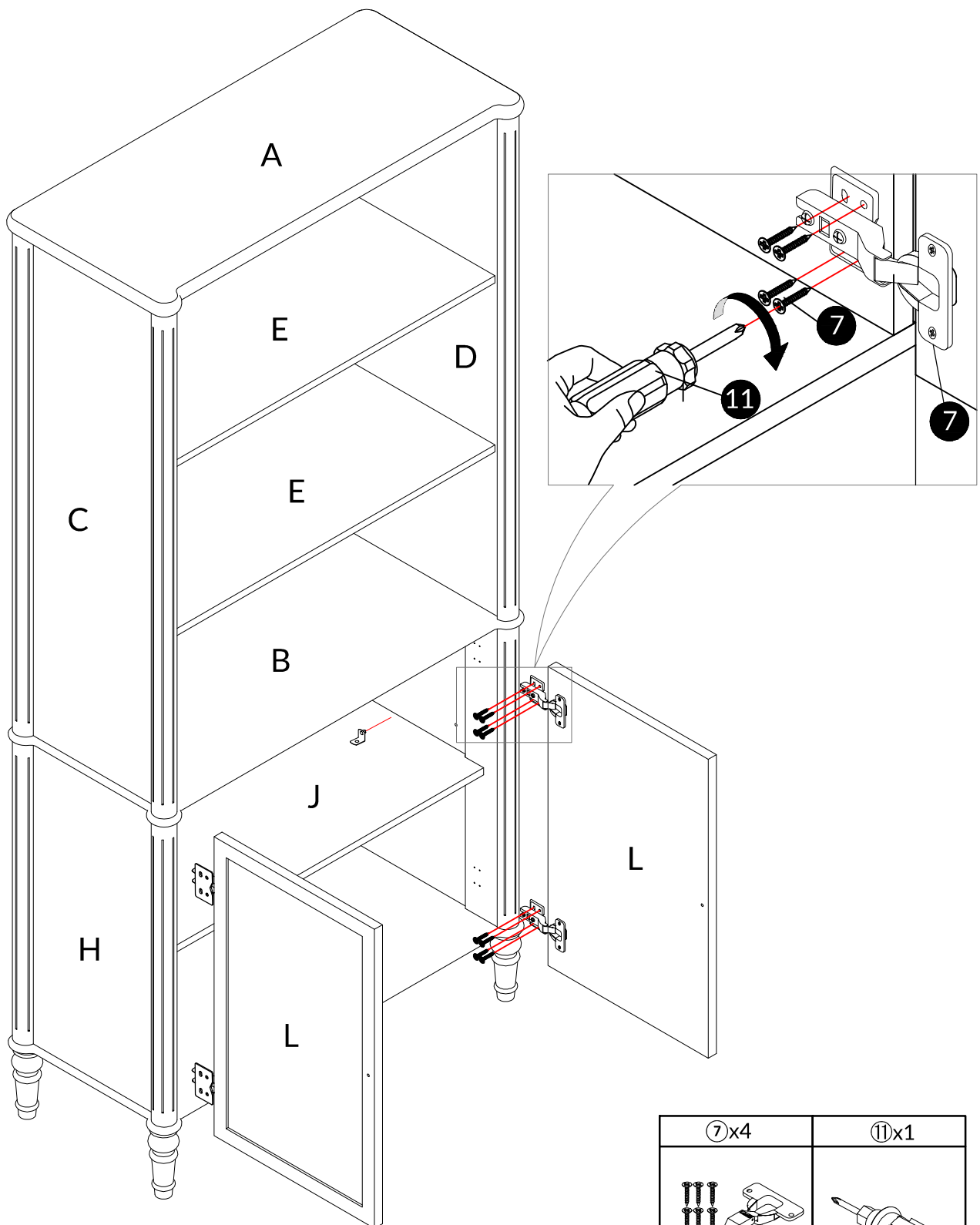
Use screw 7 to attach hinge 7 to door (L), tighten screw 7 with screwdriver 11.

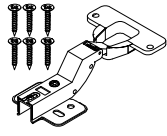
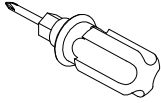


⑦x4	⑪x1
	

Step 14

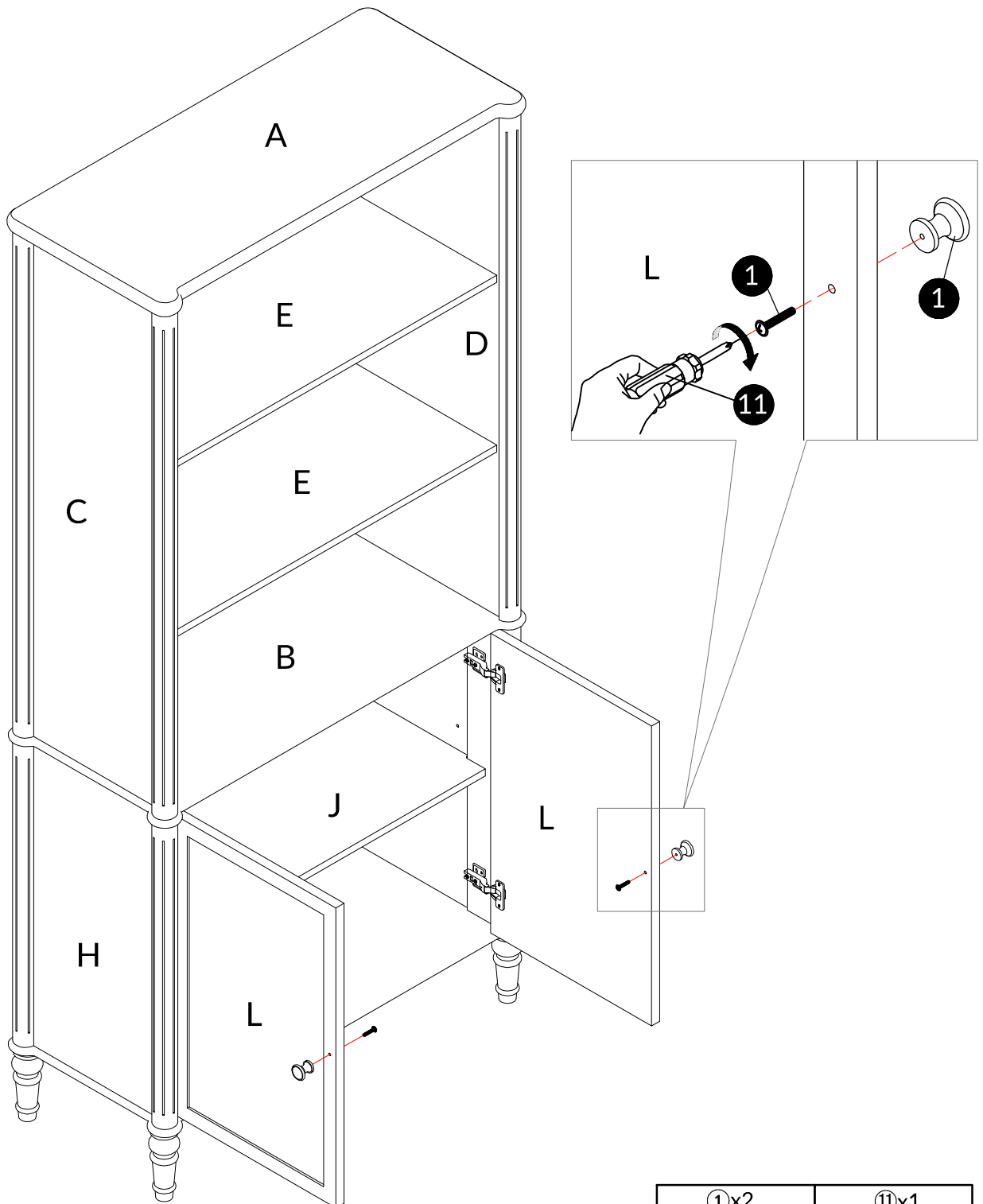
Use screw 7 to attach door (L) to pre-assemble unit at step 13 ,tighten screw 7 with screwdriver 11 .


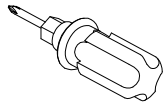



⑦x4	⑪x1
	

Step 15

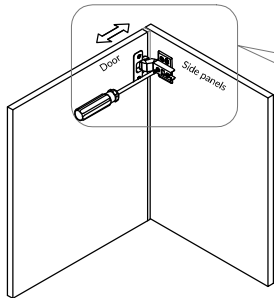
Use screw 1 to attach middle door (L) pre-assemble unit at step 15 ,tighten screw 1 with screwdriver 11 .



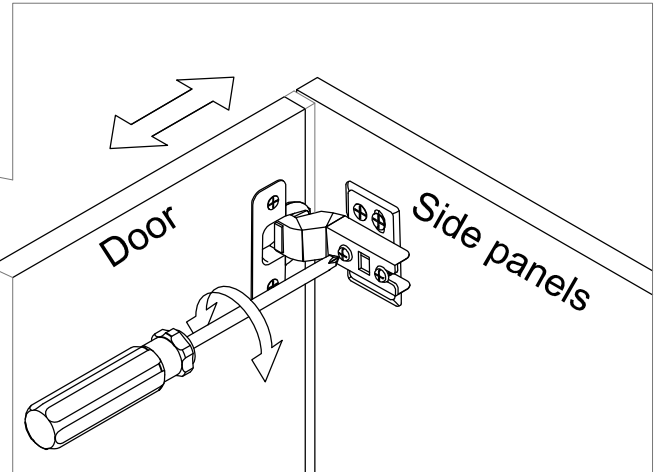
①x2	⑪x1
	
	

Door Hinge Adjustment Instructions

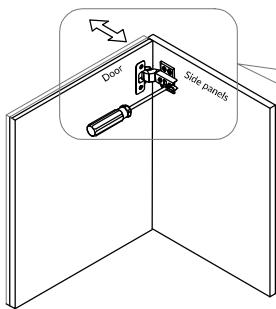
Concealed hinges are three-way adjustable.



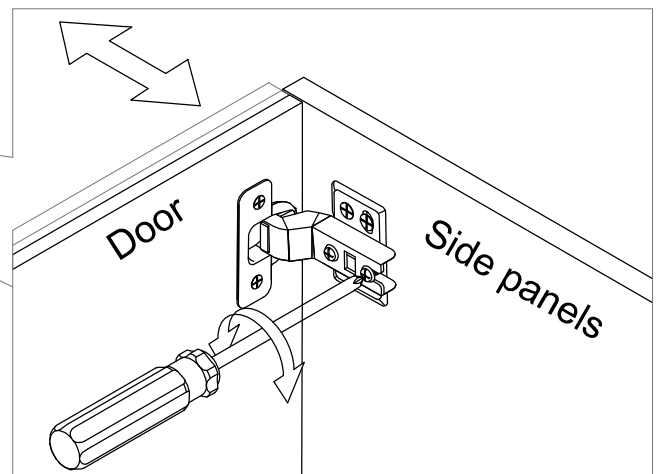
Horizontal by screw adjustment!



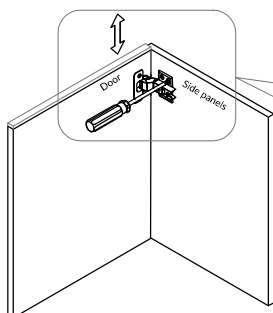
Concealed hinges are three-way adjustable.



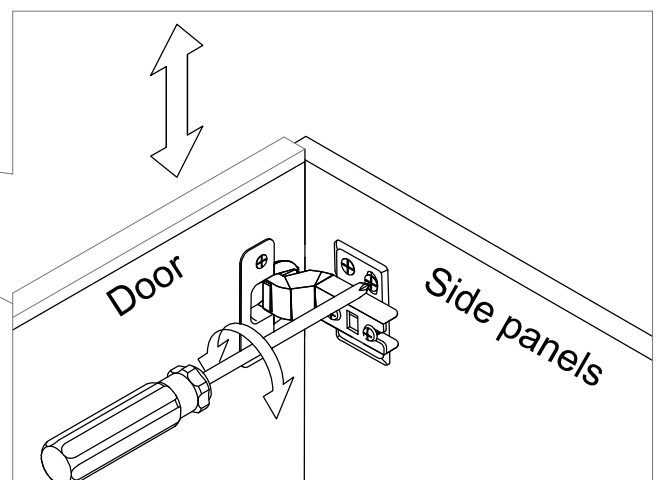
In-and-out by loosening the hinge arm mounting screw or via cam adjustment!



Concealed hinges are three-way adjustable.

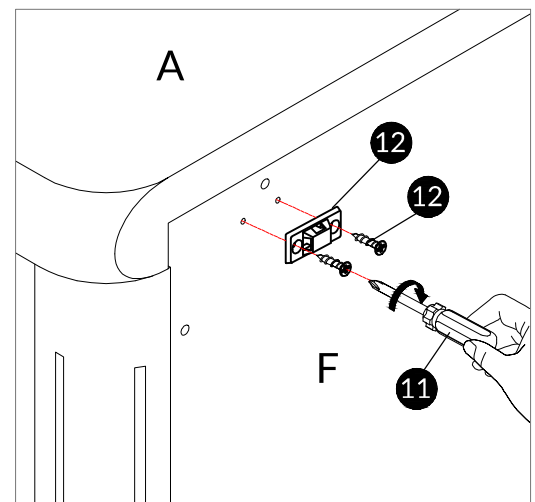
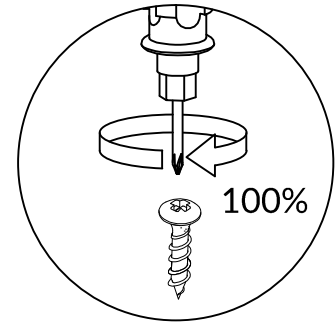
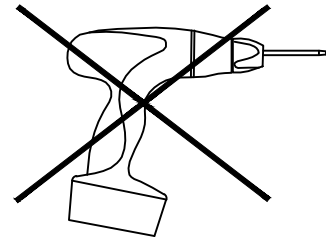
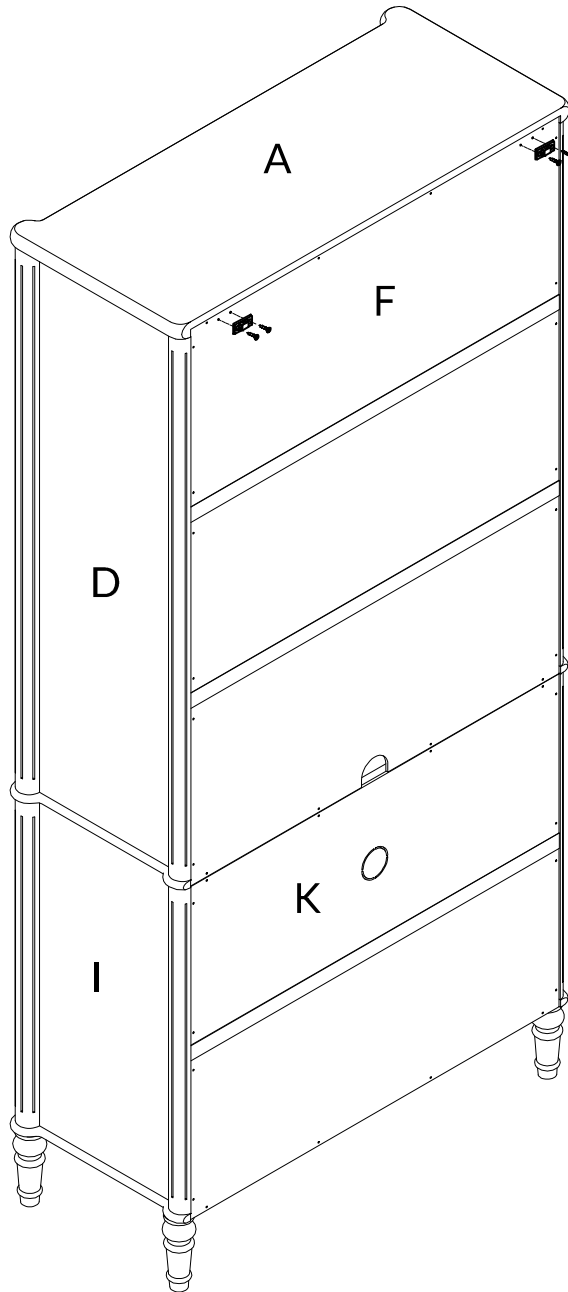


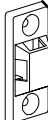
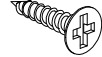
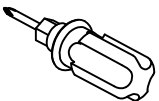
Vertical via slots in the mounting plate or via cam adjustment!



Step 17

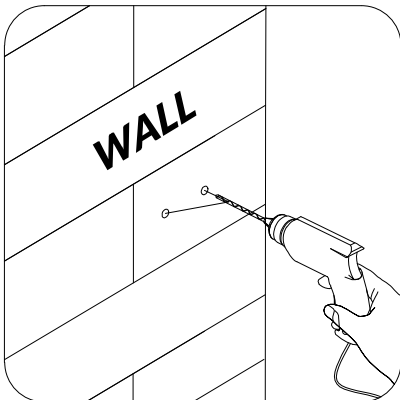
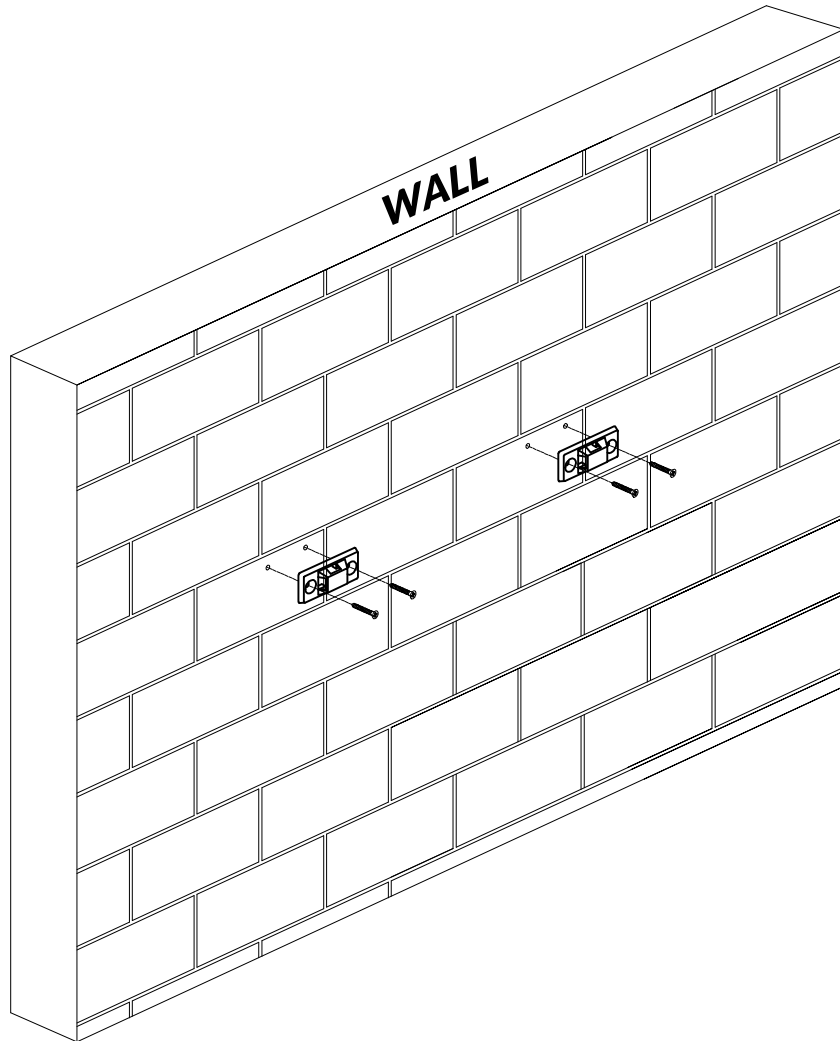
Use screw 12-2 to attach part 12-1 to back (A), tight screw with screwdriver 11.



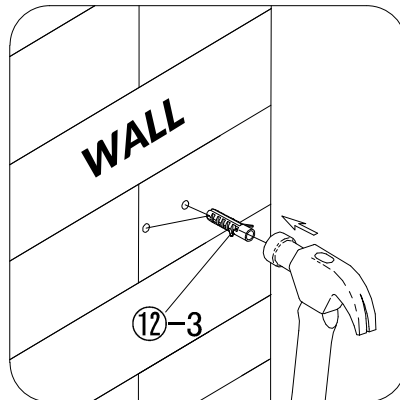
⑫-1x2	⑫-2x4	⑪x1
	 Ø3x20mm	

Step 18

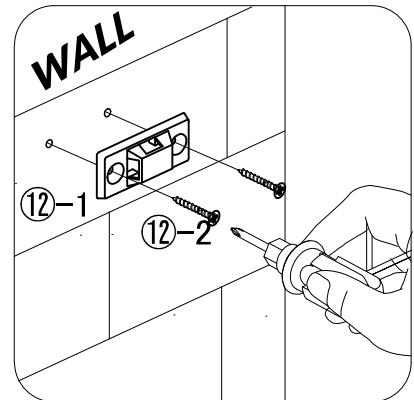
Install Anti-tip device ⑫-1 to the wall in this step.




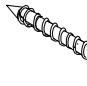
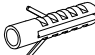
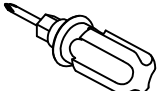
1. Drill a hole in the wall with an electric drill.



2. Tap the plastic wall anchor into the hole with a hammer.



3. Secure the Anti-tip device ⑫-1 to the wall with screws ⑫-2

⑫-1x2	⑫-2x4	⑫-3x4	⑪x1
			
	Ø4x39mm		

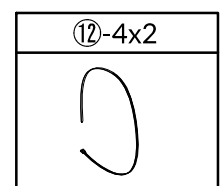
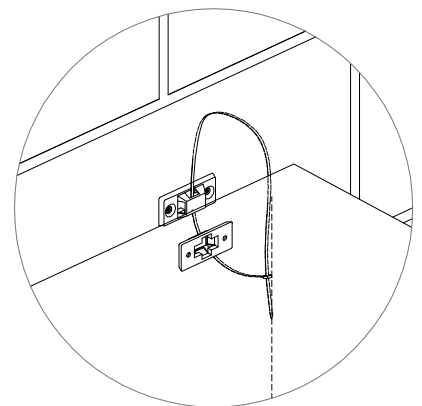
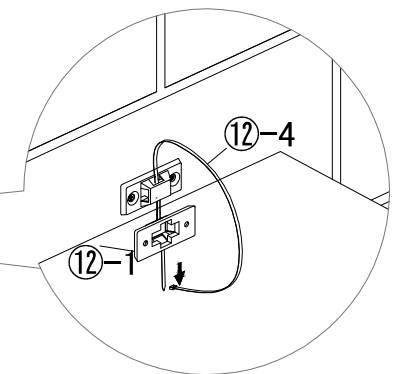
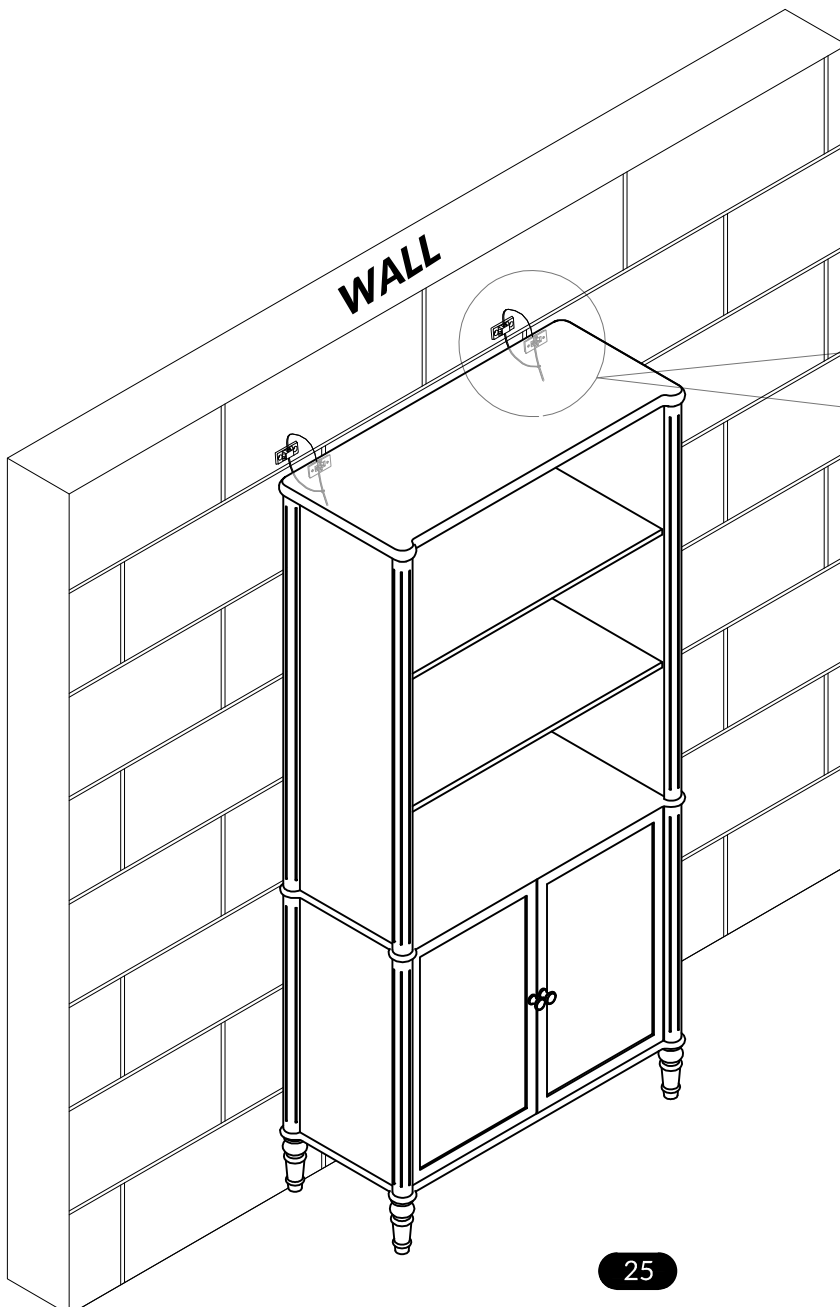
Step 19

WARNING

Children have died from furniture tipover.

To reduce the risk of furniture tipover:

- ALWAYS install Anti-tip device provided.
- For use with televisions weighing 35 lb or less. Use with heavier televisions may result in instability causing tip-over resulting in death or serious injury.
- NEVER allow children to stand, climb or hang on drawers, doors, or shelves.
- NEVER open more than one drawer at a time.
- Place heaviest items in the lowest drawers.



WARRANTY

- We strive to offer quality products, and we also try our best to satisfy every customer who orders from us with products or services as needed.
- Replacement parts can be purchased from our company if available.
- For returns, please check the return policy with the retailer or marketplace where you purchased the item.

We appreciate your purchase.
Brighten your life with our furniture!