



Warnings and Cautions

Please retain this instruction for future usage and read carefully before assembly.

Make sure you have all the parts & hardware as item list shows.

***2 adults or more** are recommended to install your gazebo.*

Do not discard any of the packaging until you have checked that you have all the parts and pack of fittings.

Check all bolts for tightness before use, and periodically check and tighten bolts ensure your gazebo works properly.

Some parts might have sharp edges/corners. Please follow basic safety precautions to reduce the risk of hurts.

*Maximum weight capacity is **2500 pounds**.*

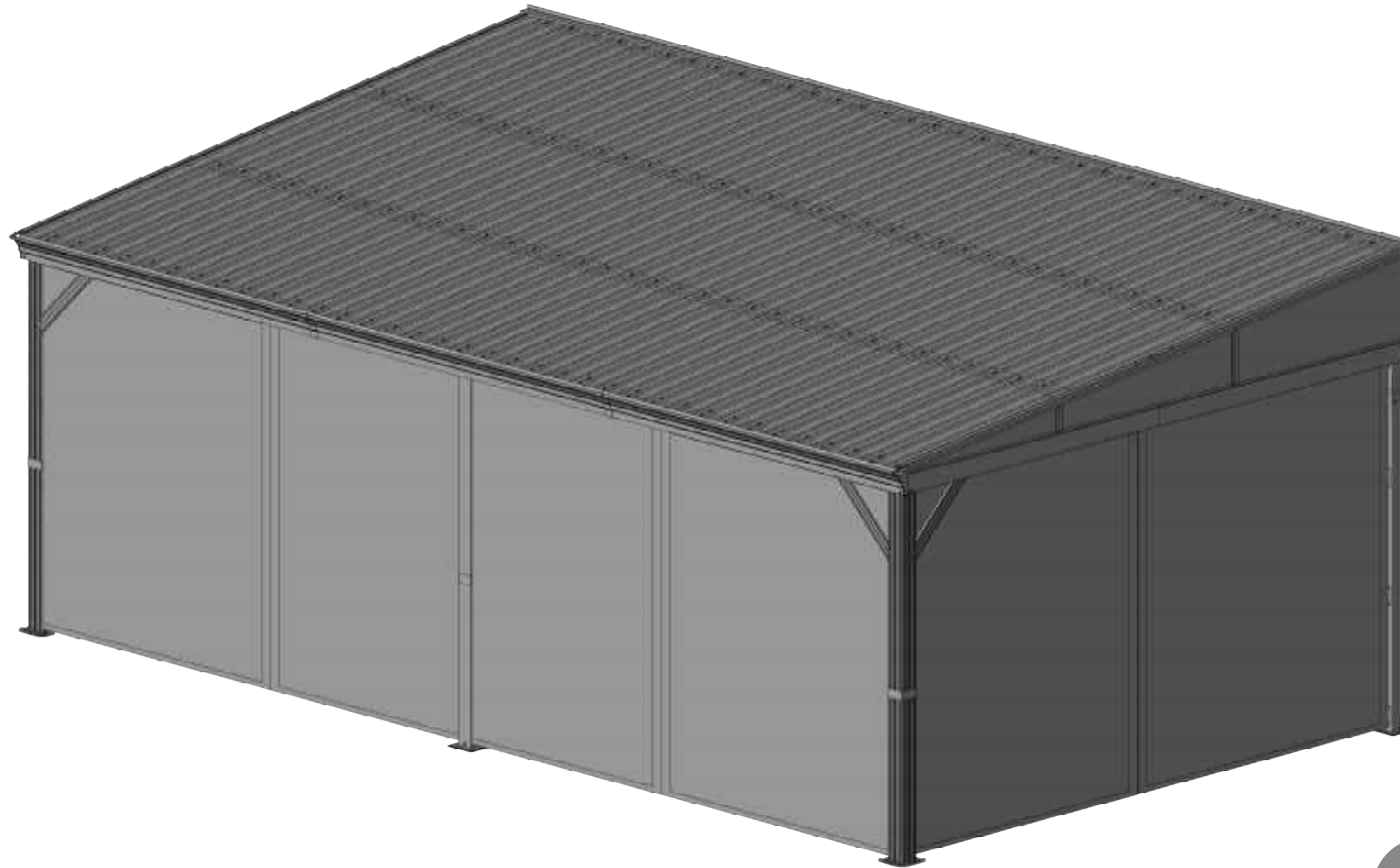
*It is essential to place the gazebo on level ground and not less than **6 feet** from any obstruction such as fences, garages, overhanging branches, laundry lines, or electrical wires.*

If you have questions or concerns.

*Please contact us via email at **service@domioutdoorliving.com***

Domi outdoor living

domi
outdoor living



12'x20'

SKU: LGMF1676

Wall-Mounted Gazebo

Assembly Manual

*Thank you for your purchase of
Domi outdoor living's Sunroom*

Read and follow this assembly and operation guide.

To reduce personal injury and damage to you Sunroom.

*We recommend a **three-person team** for assembly and disassembly.*

*Please **remove** snow accumulation at all times.*

Please schedule enough time to complete the assembly of the sunroom.

It will take approximately 7 hours to set up.

If you like our products, please tell other customers.

If you have a problem with our products, please tell us.

Please feel free to contact us.

Domi Outdoor Living



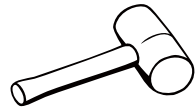
Pre-assembly

TOOLS THAT MAY BE REQUIRED (Not included in boxes)

*NOTE: Tools / equipment are not shown to actual size and scale.



LEVEL



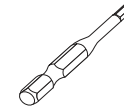
RUBBER Mallet



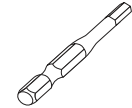
PHILLIPS SCREW



DRILL



ALLEN KEY



ALLEN KEY

EQUIPMENT REQUIRED (Not included in boxes)

*NOTE: Equipment are not shown to actual size and scale.



SAFETY HAT



GLOVES



SAFETY GOGGLES



STEPLADDER

Matters needing attention



1. Three or more people are required for assembly.



2. Do not fully tighten screws prior to complete assembly.

Regulation

IMPORTANT: A sunroom may entail to purchase a municipal permit or be subject to specific building codes. It is the consumer's responsibility to inform themselves of any restrictions.

Care and Cleaning:

For cleaning, use a domestic soap or detergent and wash with warm water using a sponge or fabric. Rinse with clean water.

LGMF1676

3645(mm)143.50"

6225(mm)245.07"

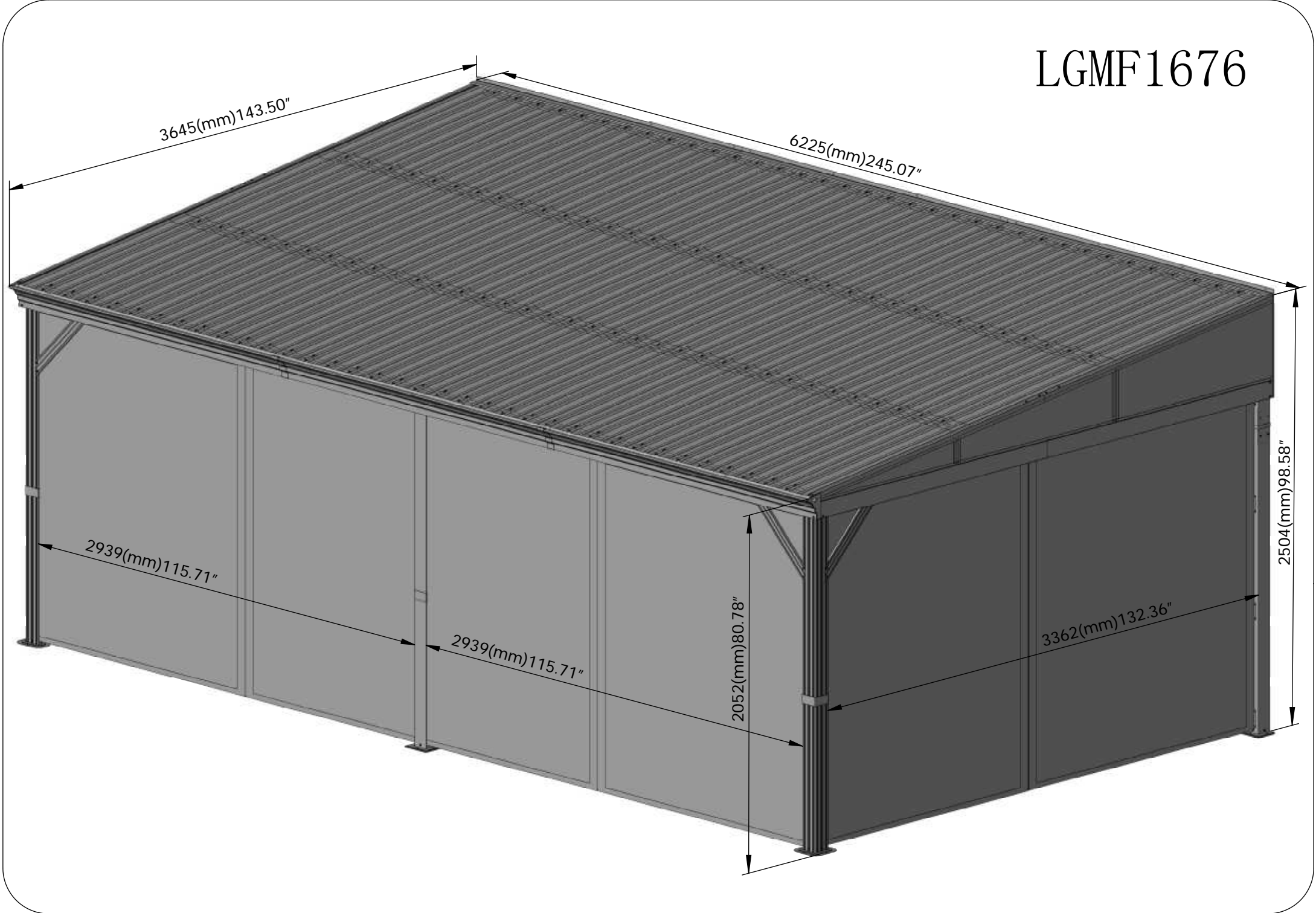
2504(mm)98.58"

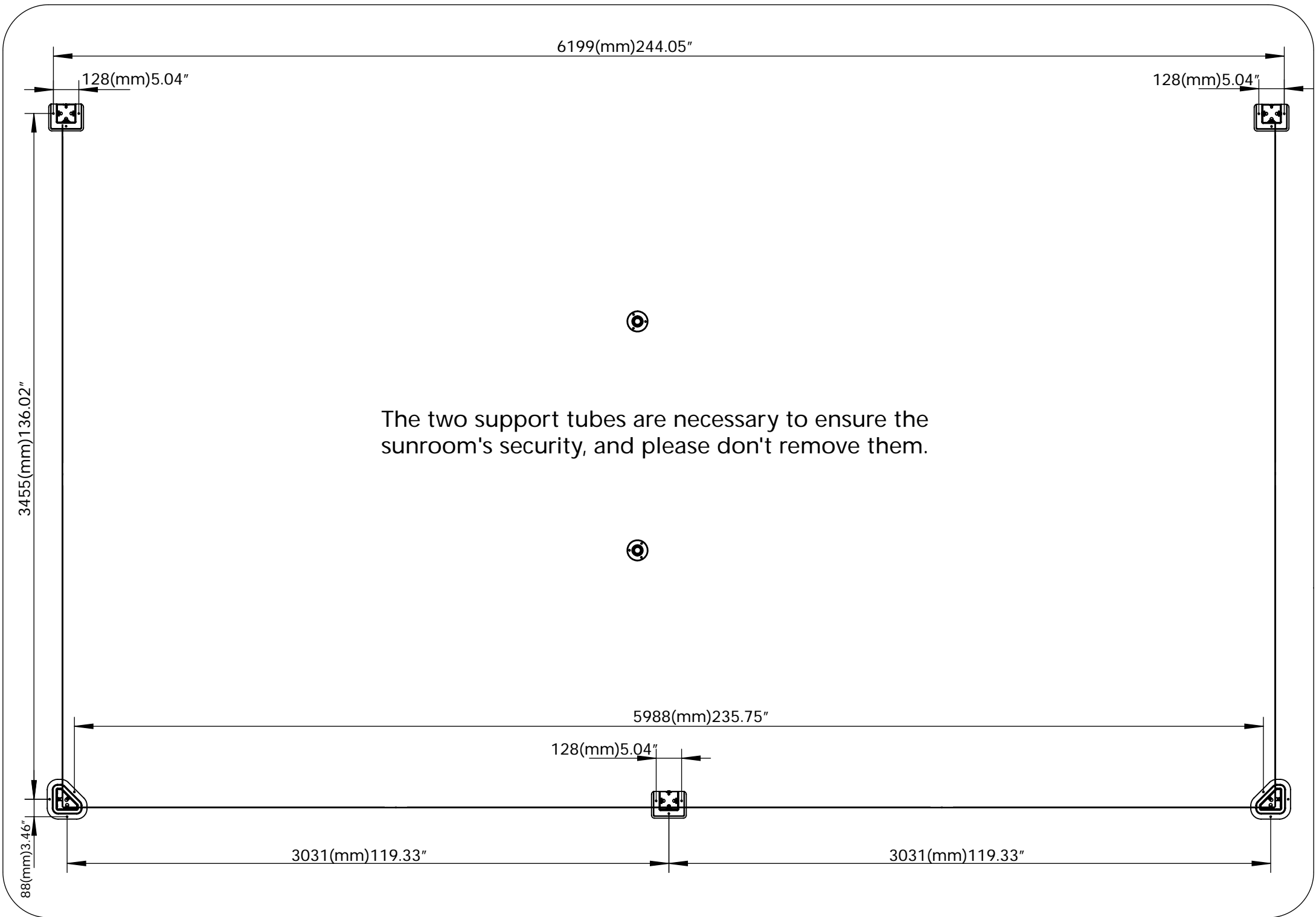
2939(mm)115.71"

2939(mm)115.71"

2052(mm)80.78"

3362(mm)132.36"





6199(mm)244.05"

128(mm)5.04"

128(mm)5.04"

3455(mm)136.02"

88(mm)3.46"

The two support tubes are necessary to ensure the sunroom's security, and please don't remove them.



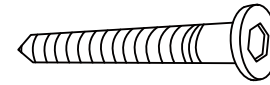
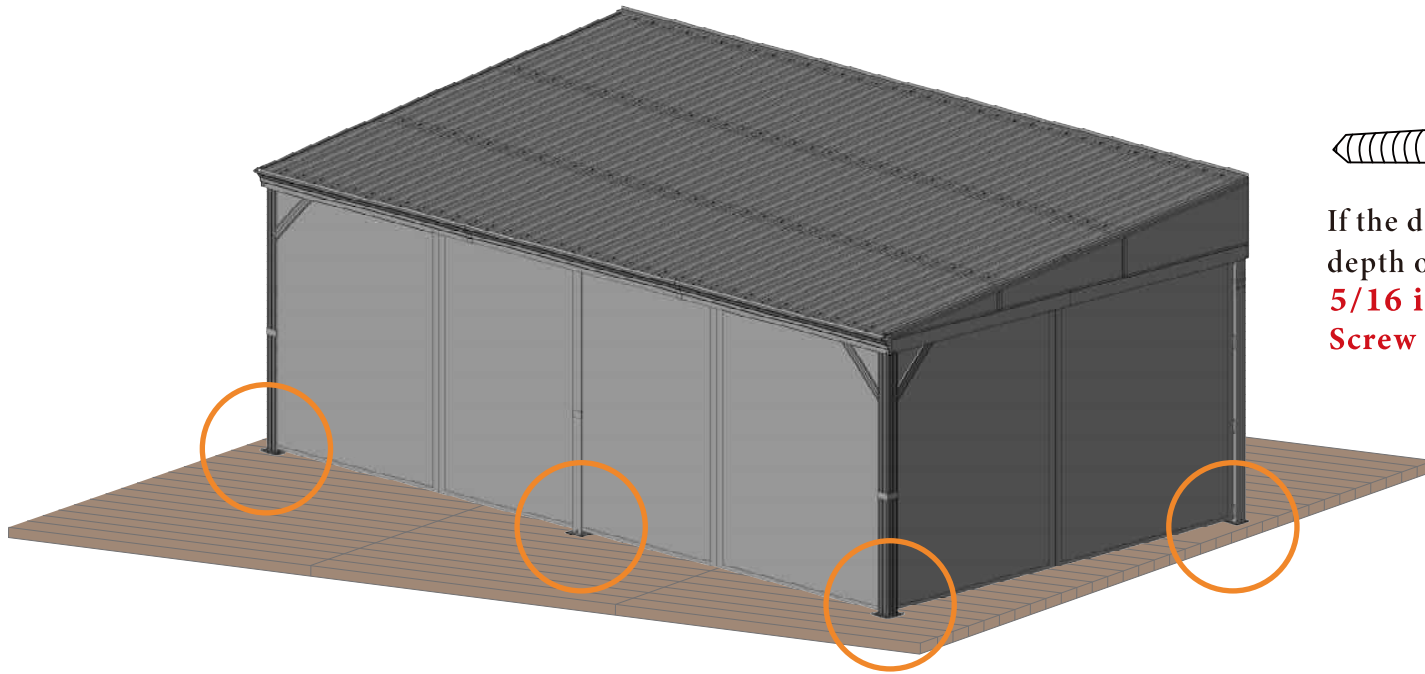
5988(mm)235.75"

128(mm)5.04"

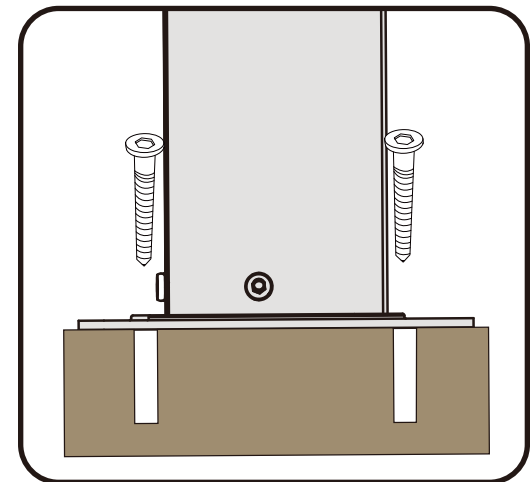
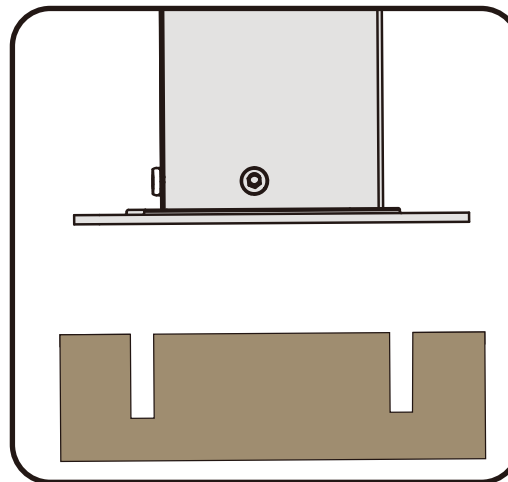
3031(mm)119.33"

3031(mm)119.33"

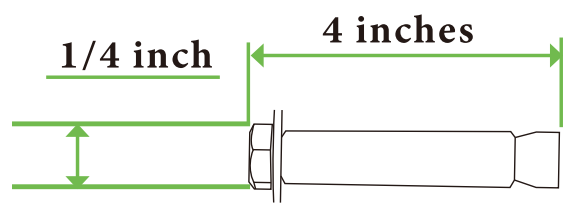
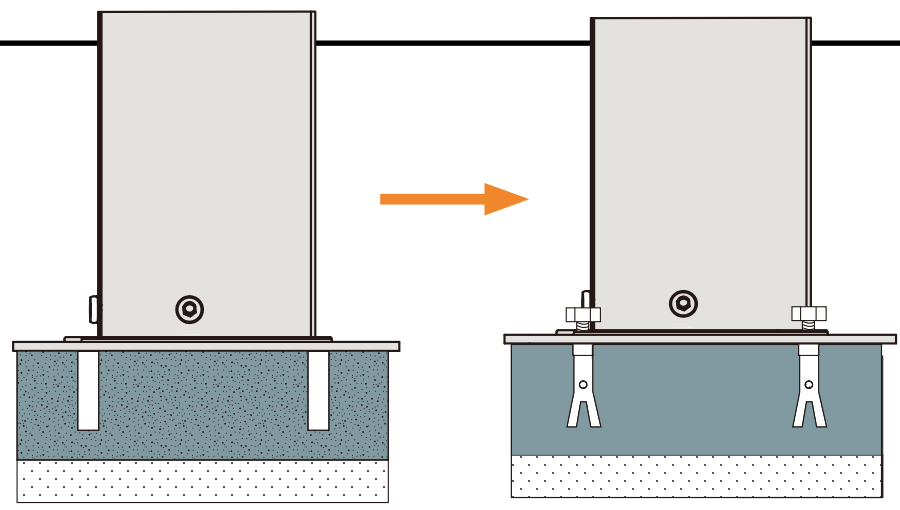
1



If the deck is herd wood and the depth of it is over 3 inch, you can use **5/16 in.x4 in. Structural Wood Screw**



2



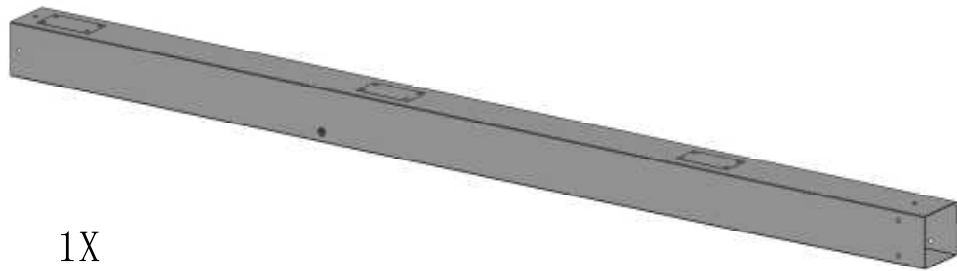
If the ground is concreted and the depth of it is over 3 inch, you can use 1/4 inch expansion bolts to mount the pergola



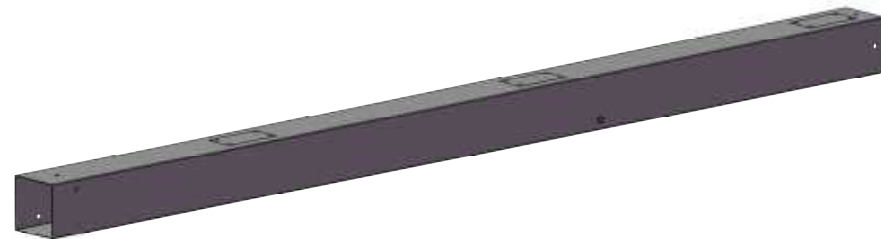
A1 1X



A2 1X



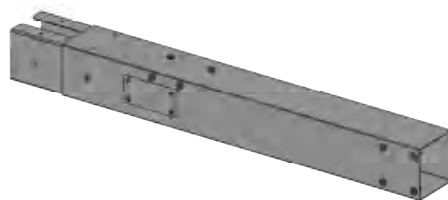
A3 1X



A4 1X



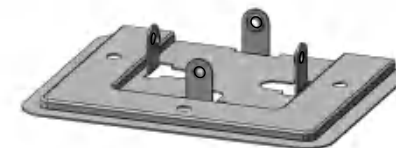
A5 1X



A6 1X



A7 2X



A8 3X



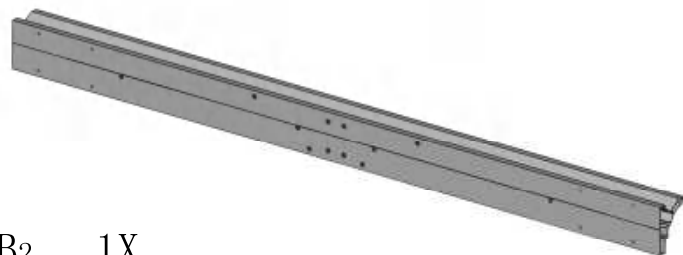
A9 2X



A10 4X



B1 1X



B2 1X



B3 1X



B4 2X



B5 1X



B6 1X



B7 6X



B8 2X



B9 4X



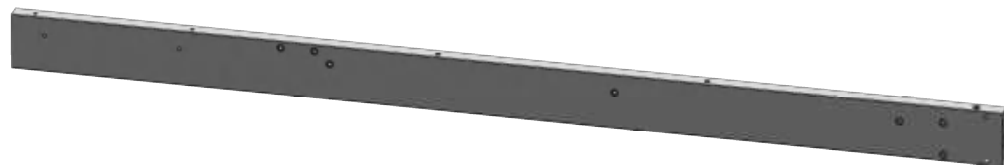
B10 4X



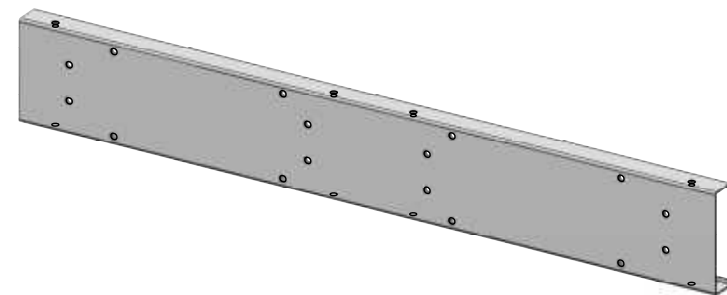
B11 4X



C1 1X



C2 1X



C3 8X



C4 1X



C5 1X



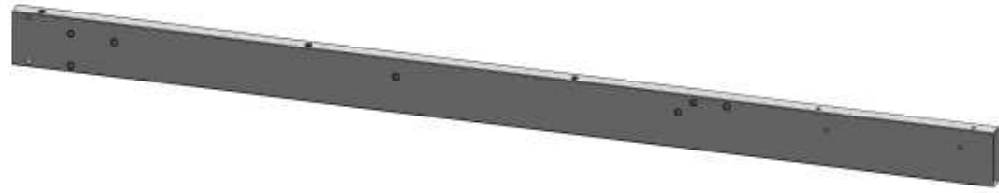
C6 2X



C7 2X



D1 1X



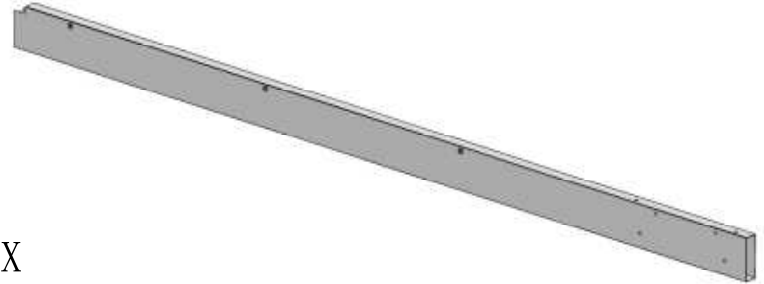
D₂ 1X



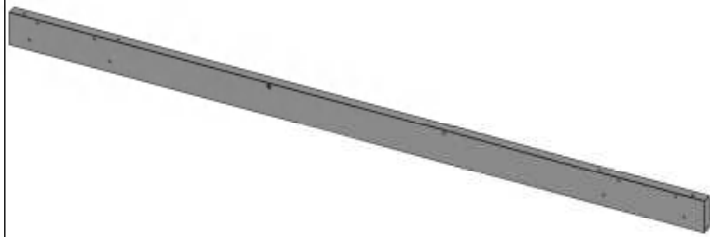
D₃ 1X



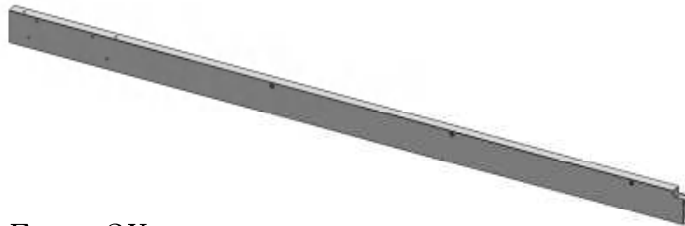
D₄ 1X



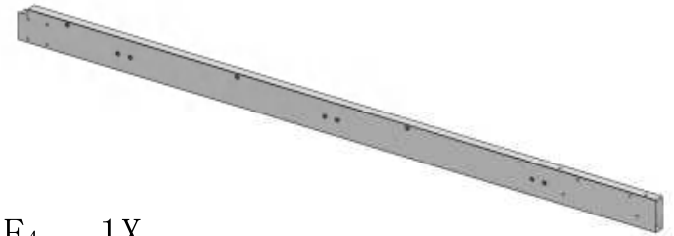
E₁ 2X



E₂ 2X



E₃ 2X



E₄ 1X



E₅ 1X



E₆ 1X



E₇ 9X



E₈ 2X



F₁ 1X



F₂ 1X



F₃ 2X



F₄ 1X



F₅ 1X



G₁ 1X



G₂ 1X



H₁ 1X



H₂ 1X



H₃ 1X



H₄ 3X



I₁ 2X



I₂ 6X



J₁ 1X



J₂ 1X

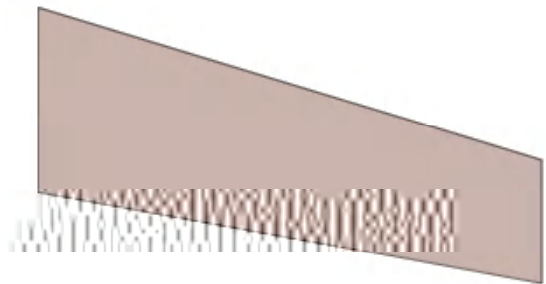
J₃ 1X



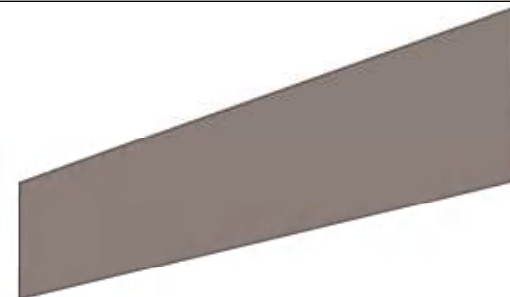
J₄ 1X



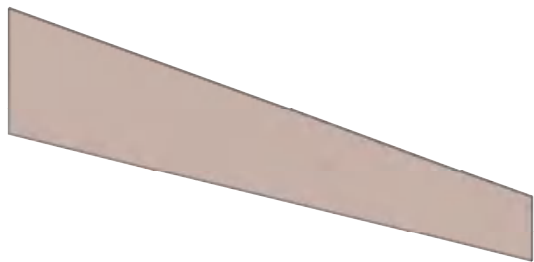
J₅ 1X



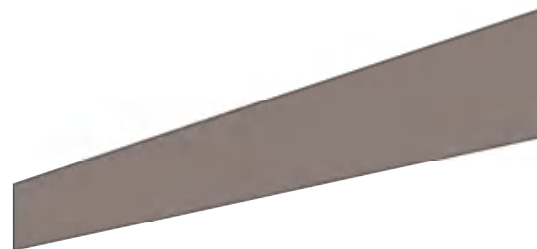
J₆ 1X



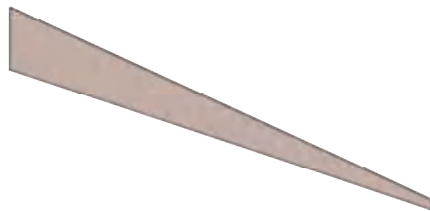
J₇ 1X



J₈ 1X



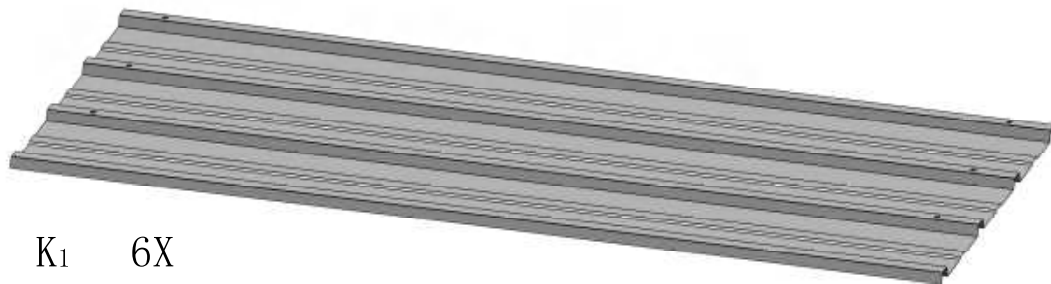
J₉ 1X



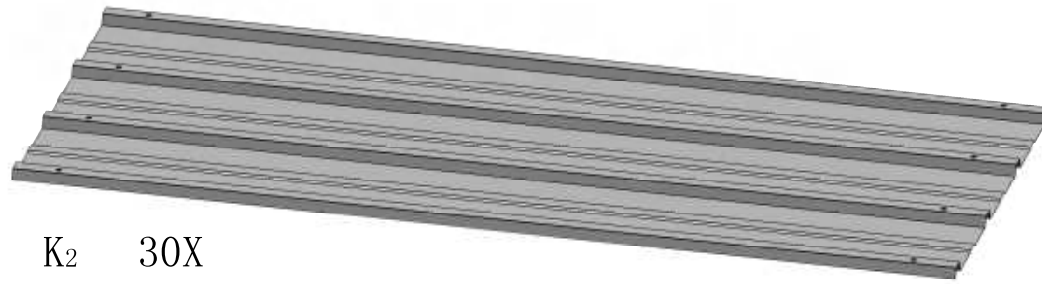
J₁₀ 1X



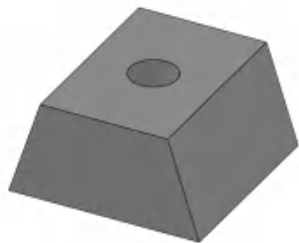
K₁ 6X



K₂ 30X



black rubber



K₃ 140X



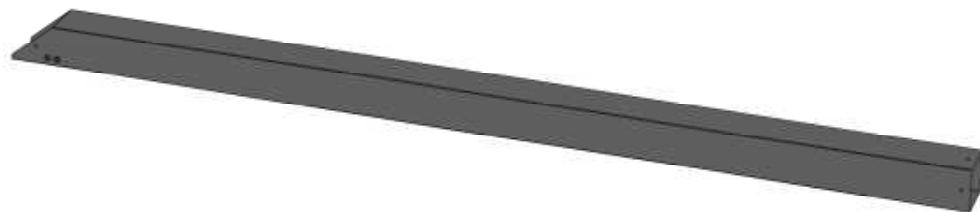
L₁ 2X



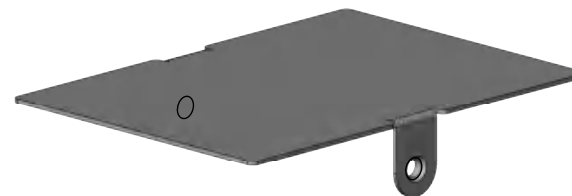
L₂ 2X



L₃ 2X



M₁ 1X



M₂ 1X



M₃ 1X



M₄ 1X



N₁ 2X



N₂ 2X



O₁ 6X

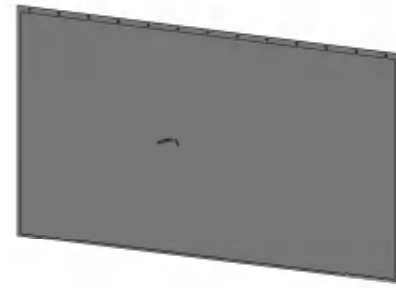


O₂ 2X

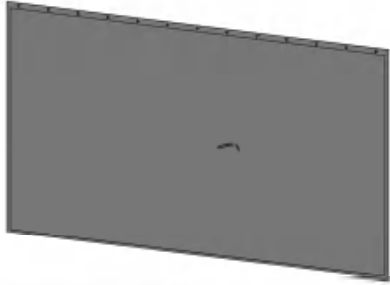
P₁ 5X



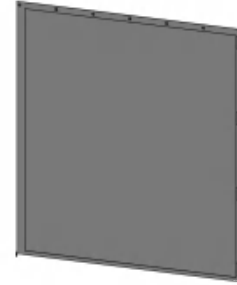
P₂ 1X



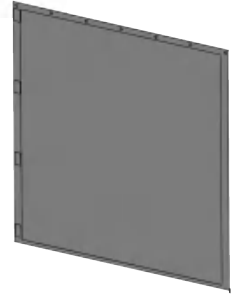
P₃ 1X



P₄ 1X



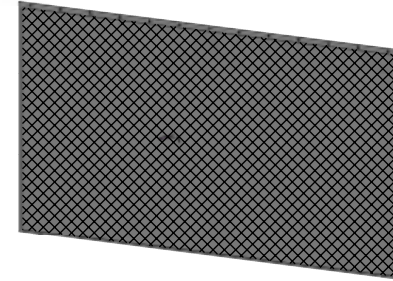
P₅ 1X



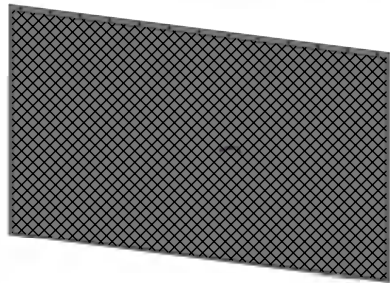
P₆ 1X



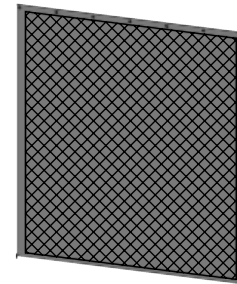
P₇ 1X



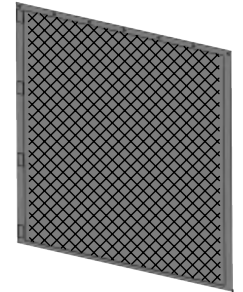
P₈ 1X



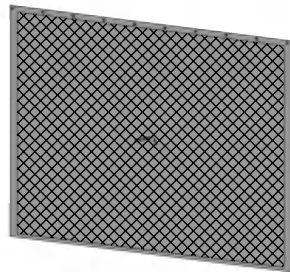
P₉ 1X



P₁₀ 1X



P₁₁ 1X



 1# 10 ST4. 8*13	 2# 18 M5*12	
 4# 357 M6*16	 5# 140 M6*28	 6# 8 M6*40
 7# 2	 8# 6	 9# 20 ST6*70
 10# 20	 11# 140 M6	 12# 2 M8*60
 13# 2 M8	 14# 2 M8	 15# 2 silicone sealant



M6*30

23#

1

S4



25#

1

S13



rubber gasket

26#

140

D12/d6. 2*H2



A1 1X



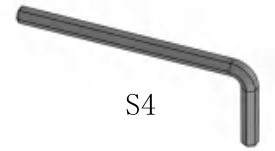
A2 1X



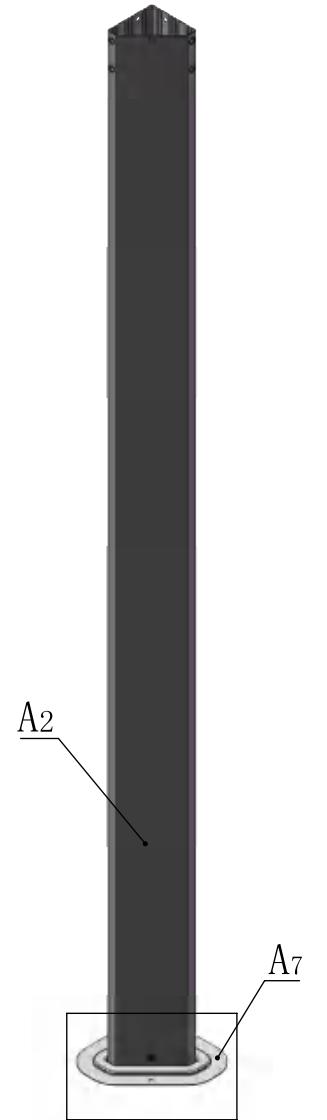
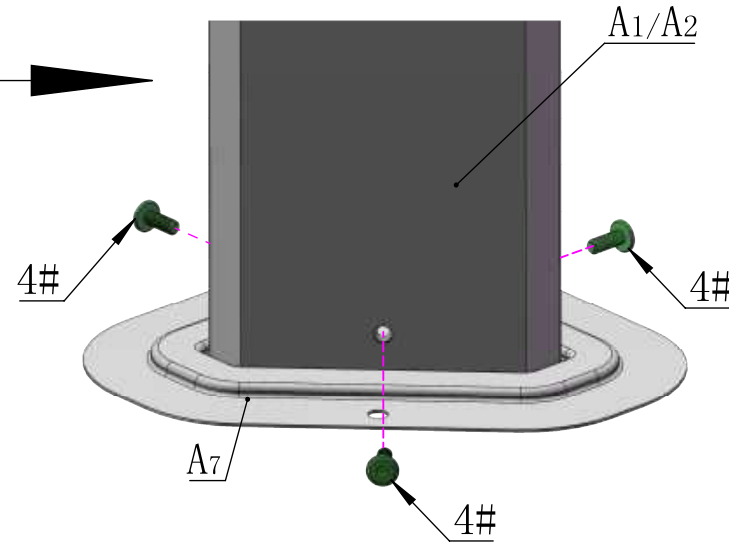
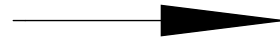
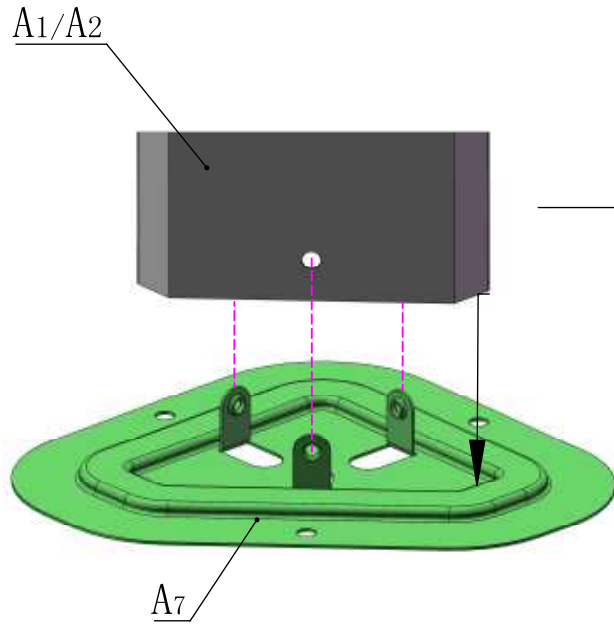
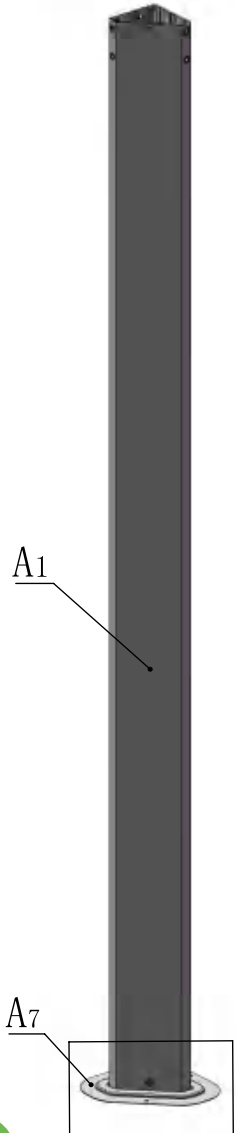
A7 2X



4# 6X



S4 23# 1X

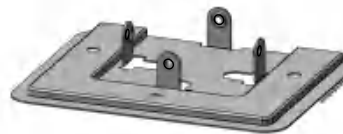




A3 1X



A4 1X

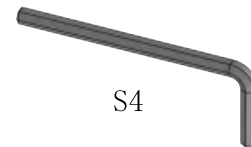


A8 2X



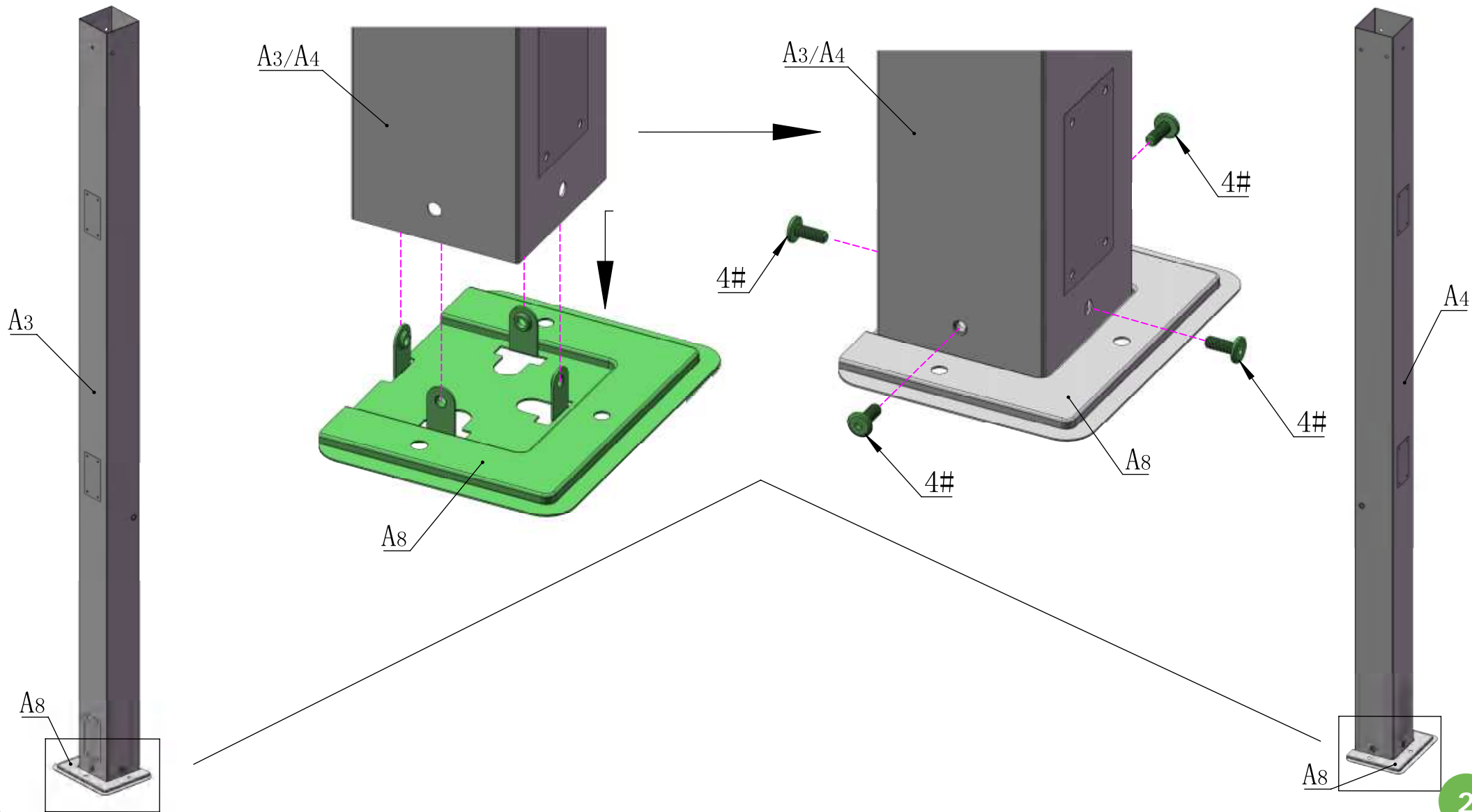
4# 8X

M6*16



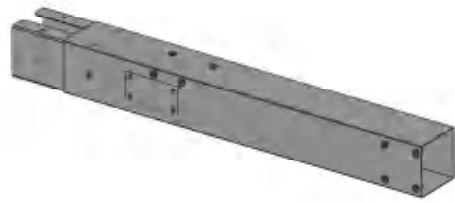
23# 1X

S4





A5 1X



A6 1X

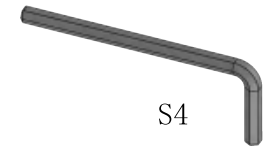


A9 2X



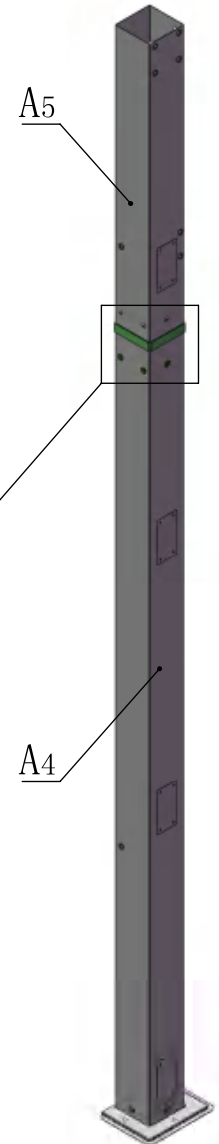
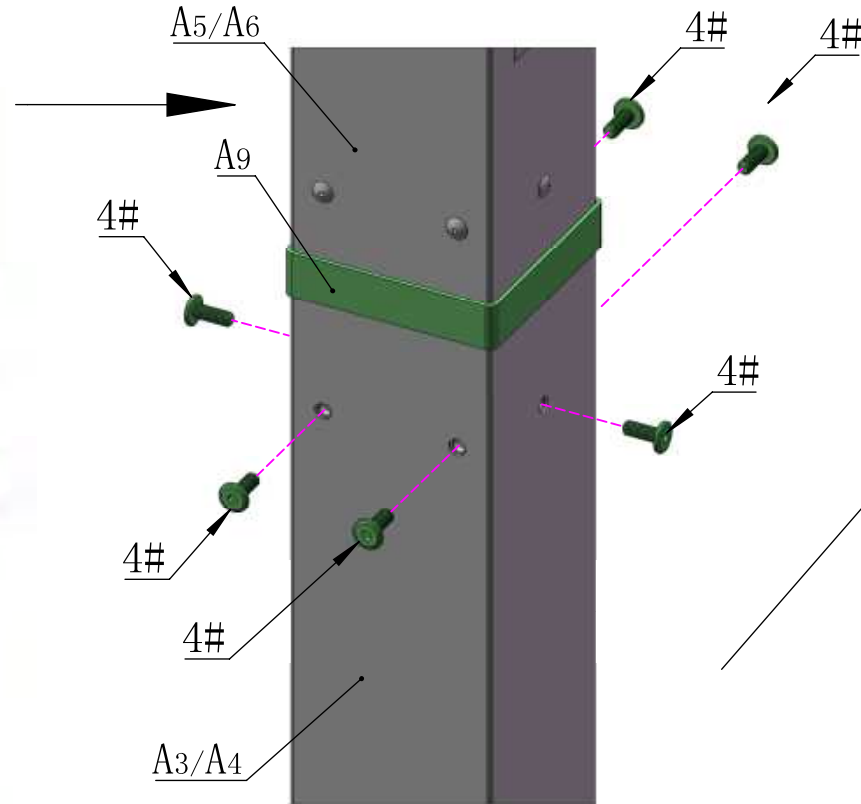
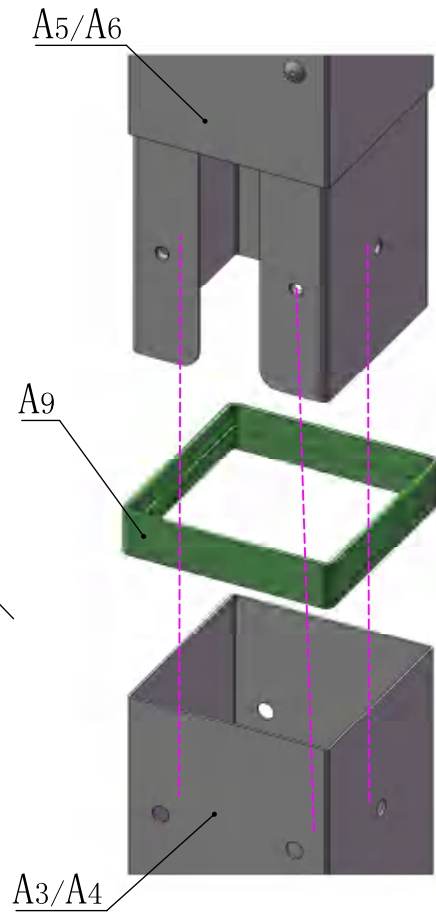
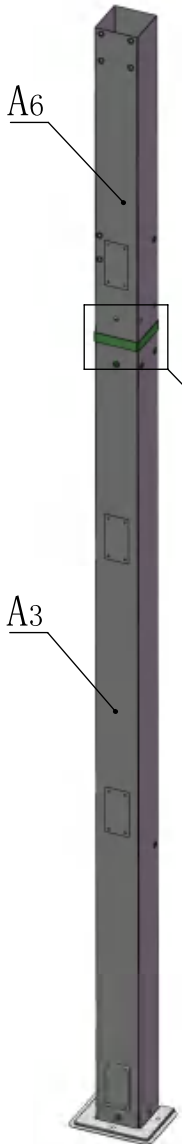
4# 12X

M6*16



23# 1X

S4



Make sure the correct connection:
A3 and A6 connected, A4 and A5 connected



A10 4X



M6*16

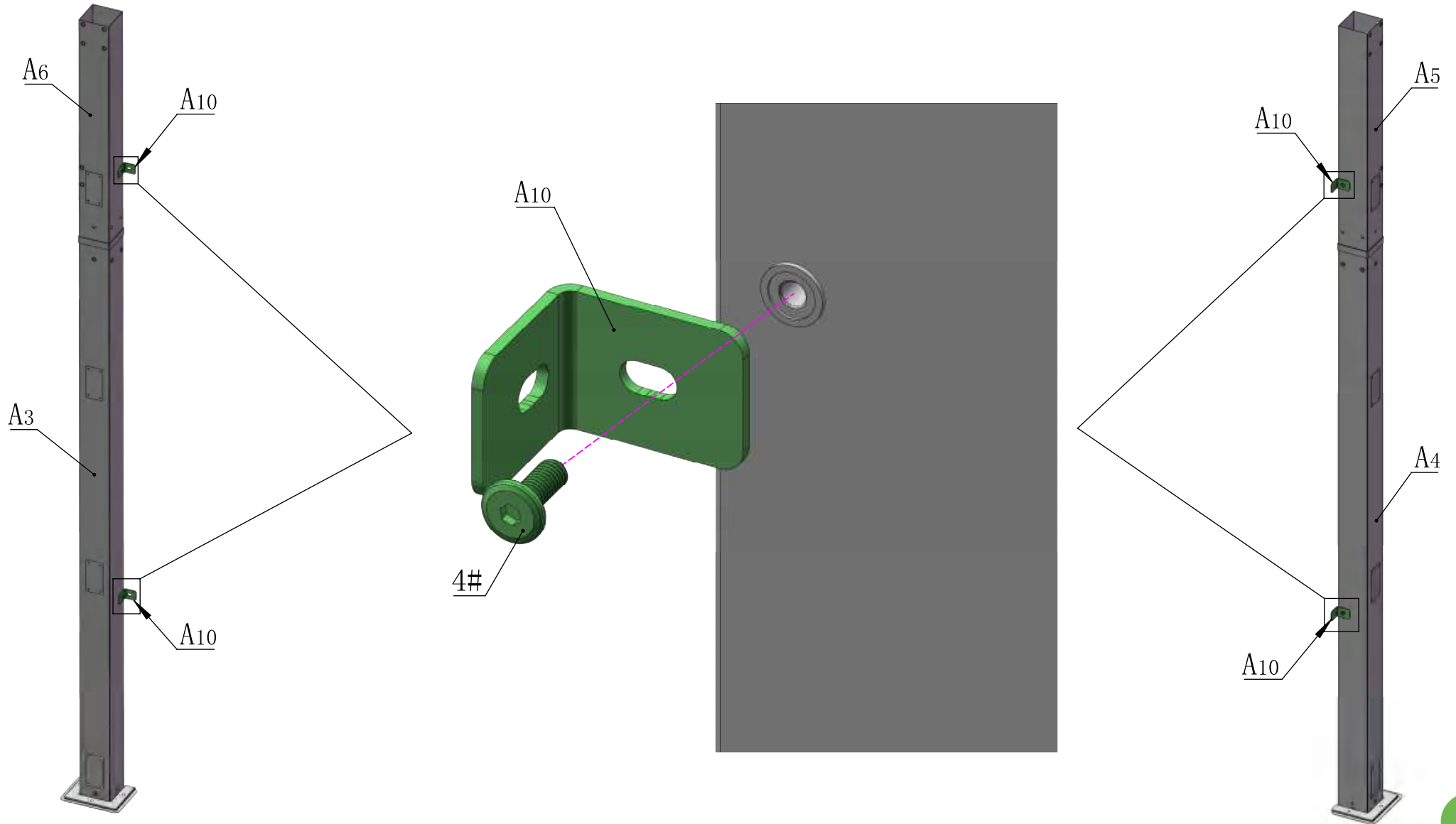
4# 4X

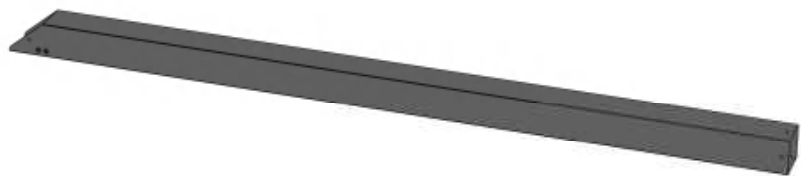


S4

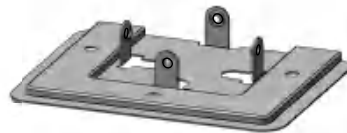
23# 1X

The bracket #A10 is used to fix the post against the wall. If you don't need it fixed, please retain for future use and skip this step.





M1 1X

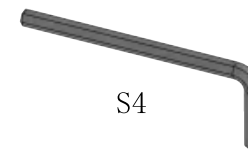


A8 1X



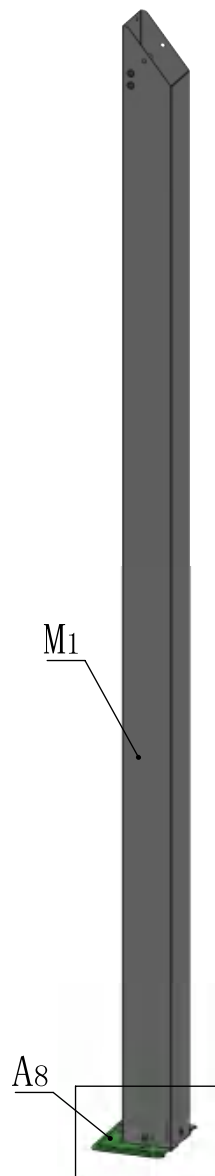
M6*16

4# 4X

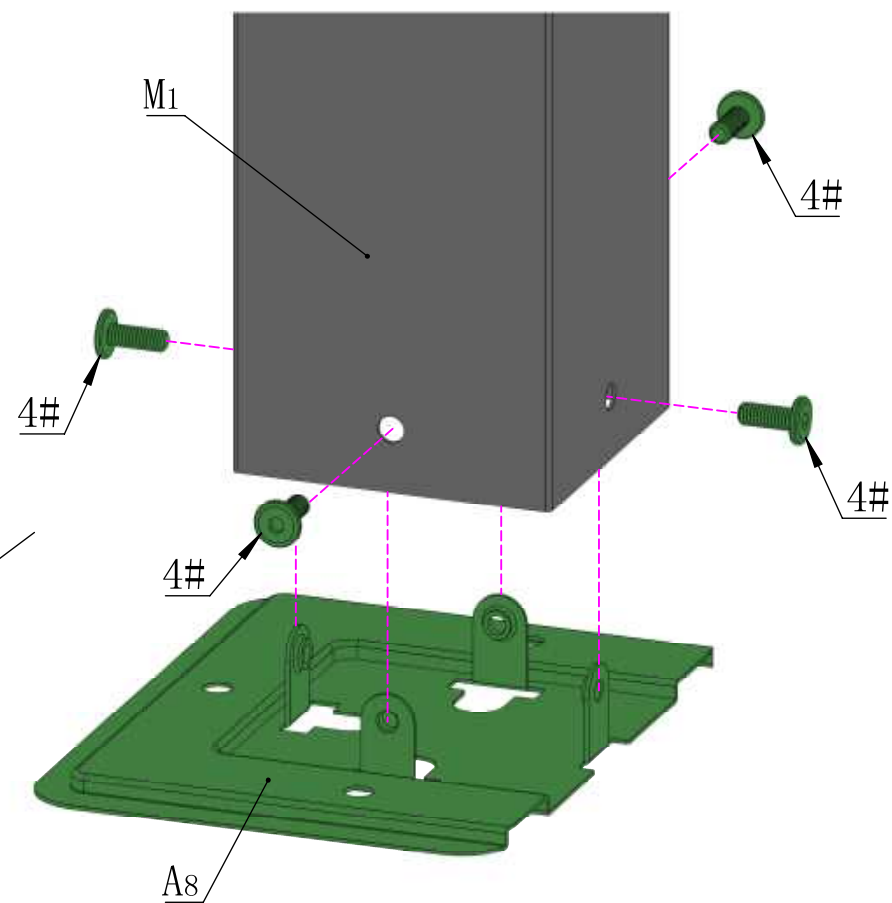


S4

23# 1X



A8



M1

4#

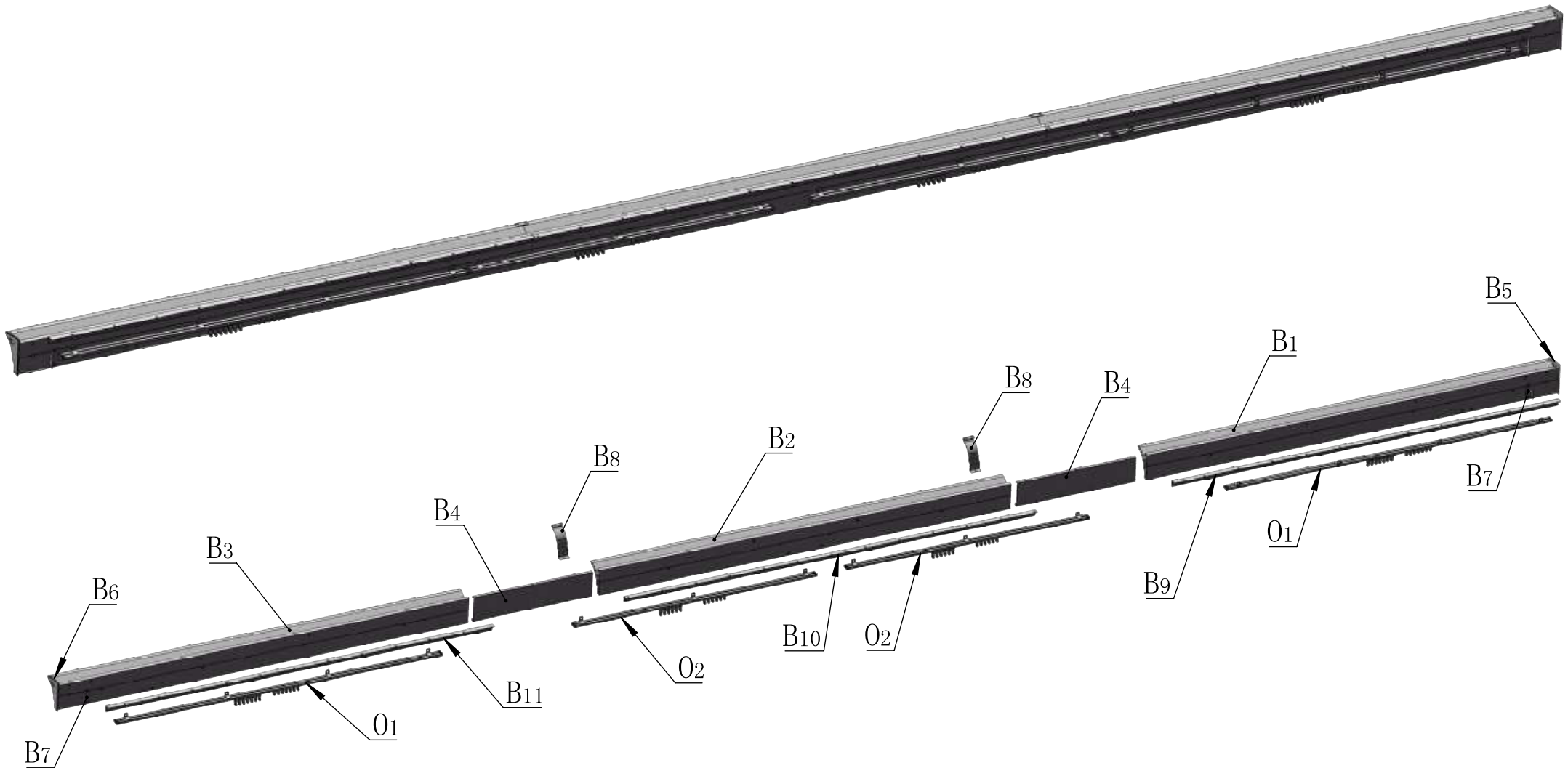
4#

4#

4#

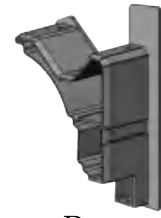
A8

Front Beam Assembly





B1 1X

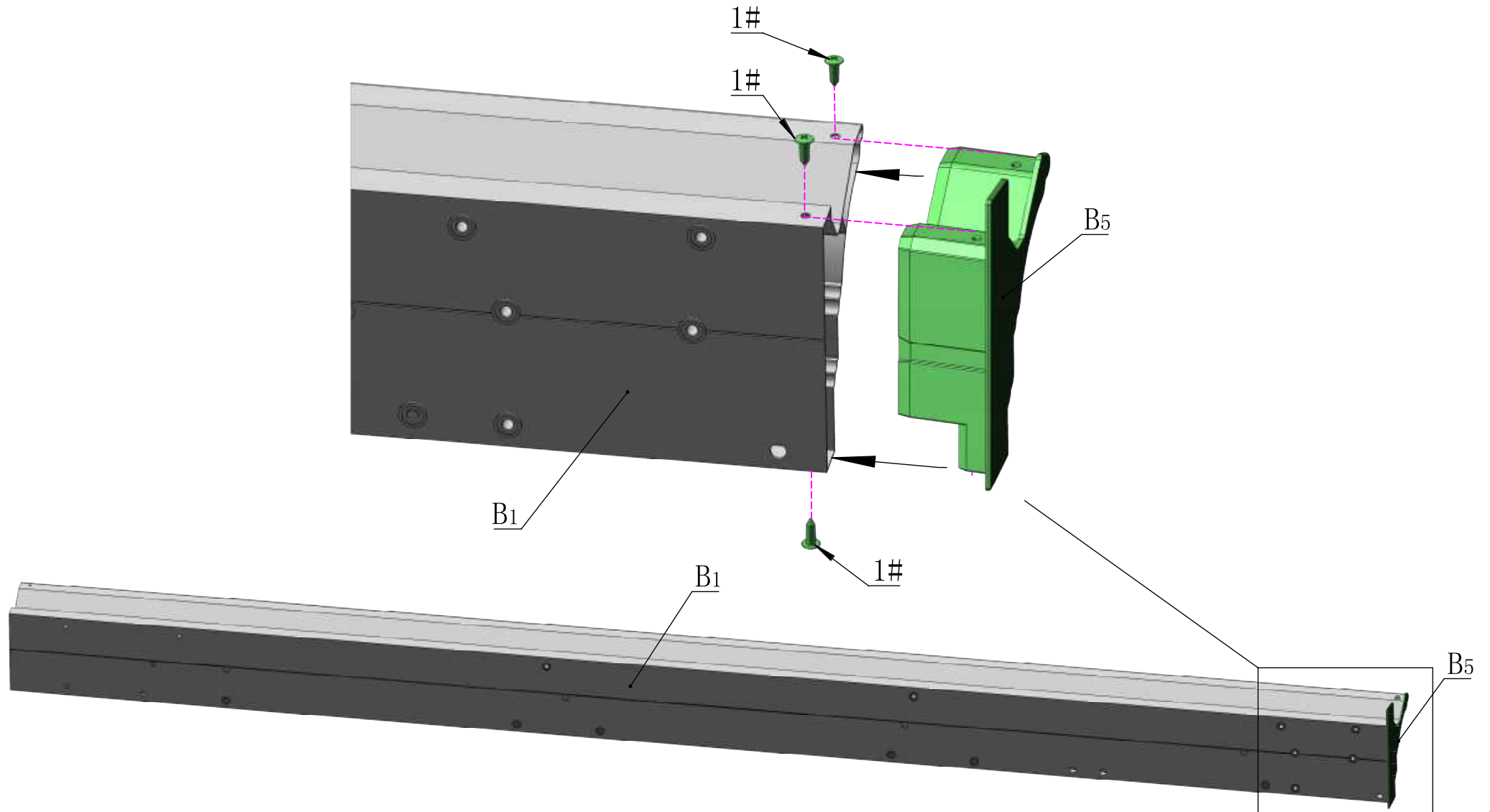


B5 1X



ST4. 8*13

1# 3X



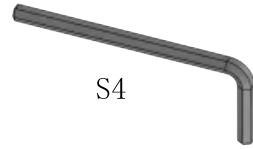


B7 1X



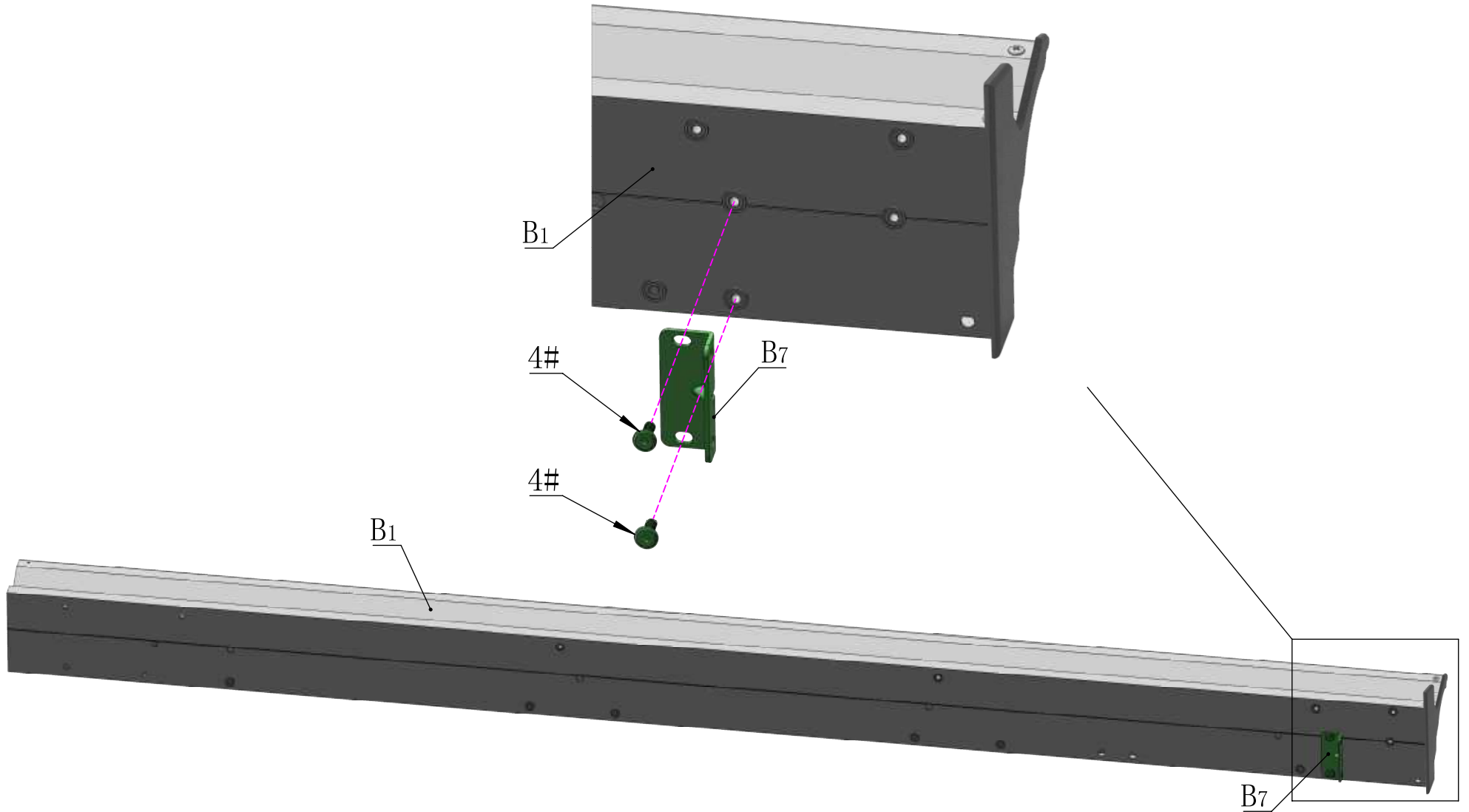
M6*16

4# 2X



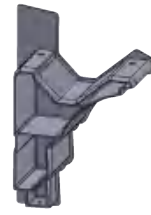
S4

23# 1X





B2 1X

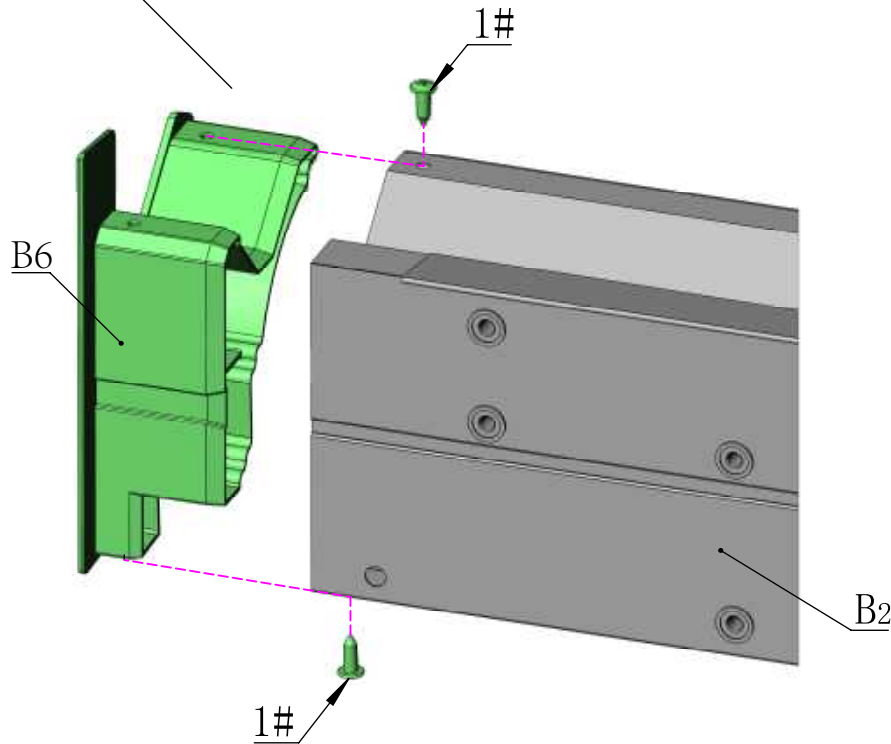
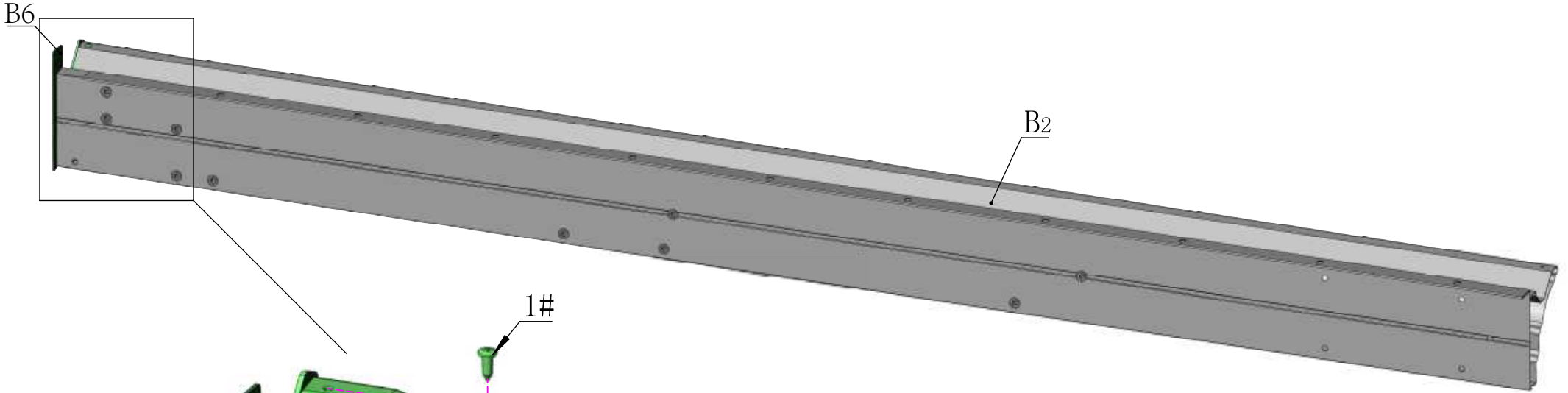


B6 1X



ST4. 8*13

1# 2X



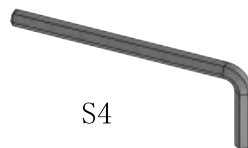


B7 1X



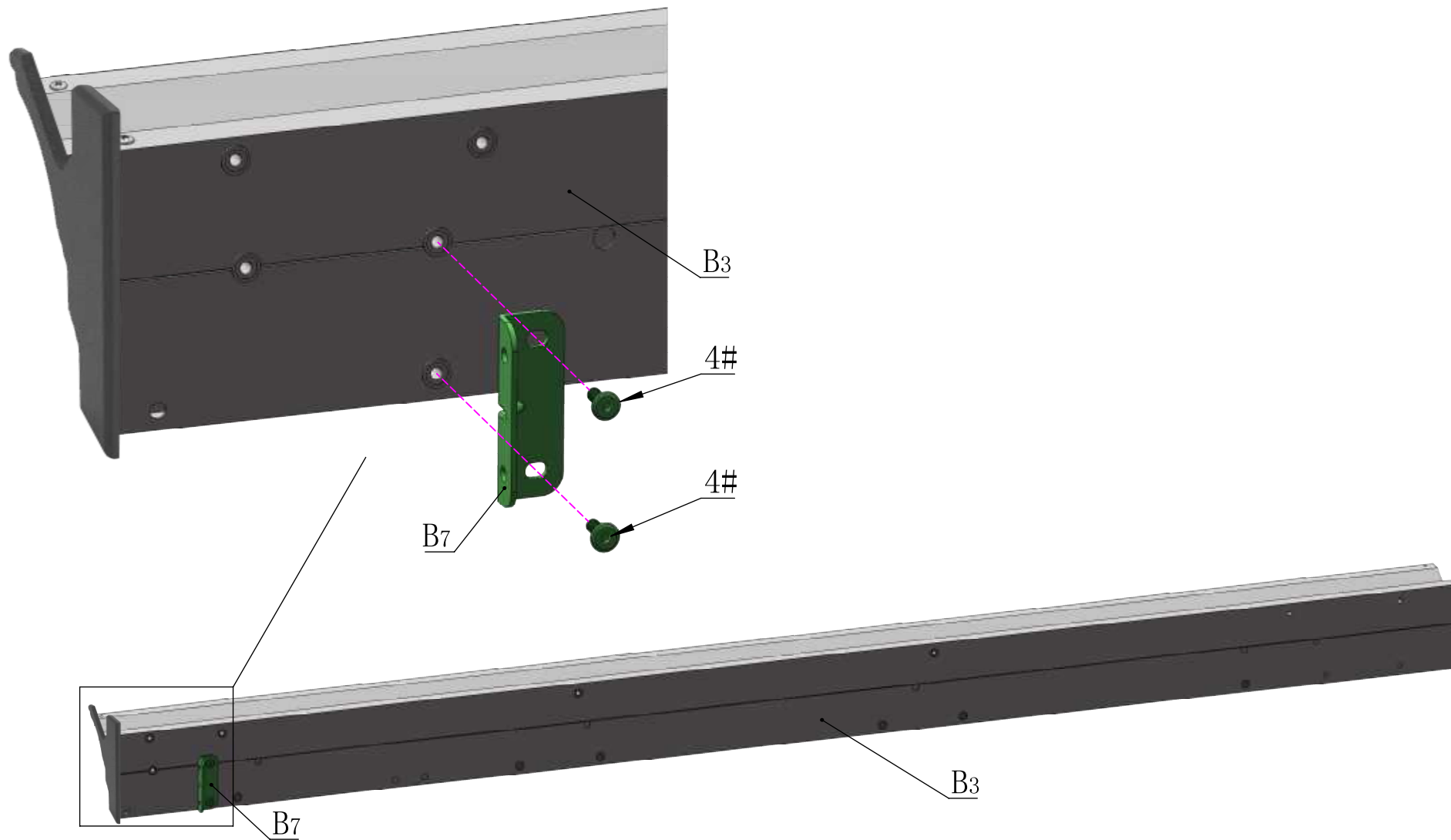
M6*16

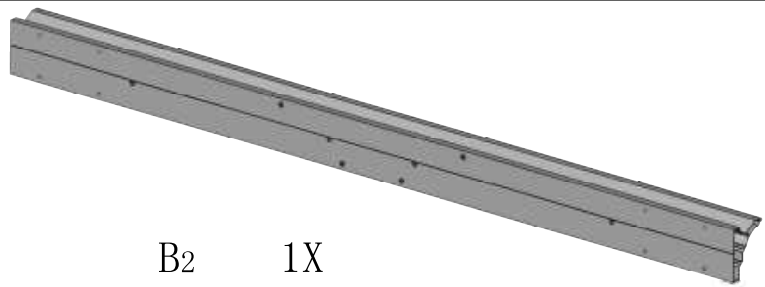
4# 2X



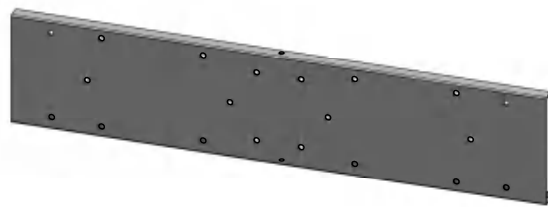
S4

23# 1X





B2 1X

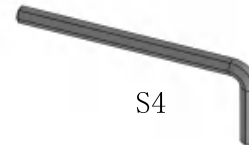


B4 2X



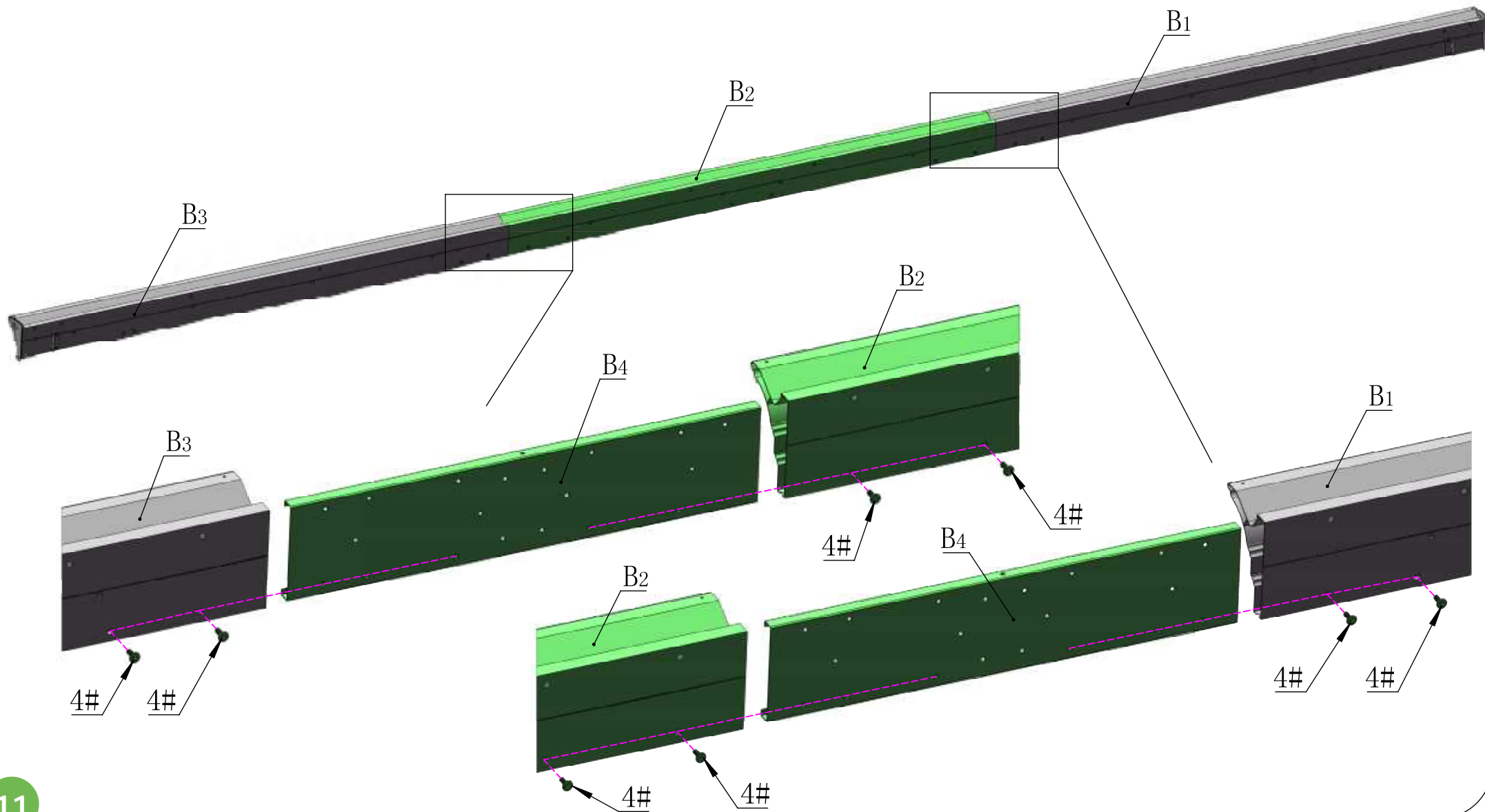
M6*16

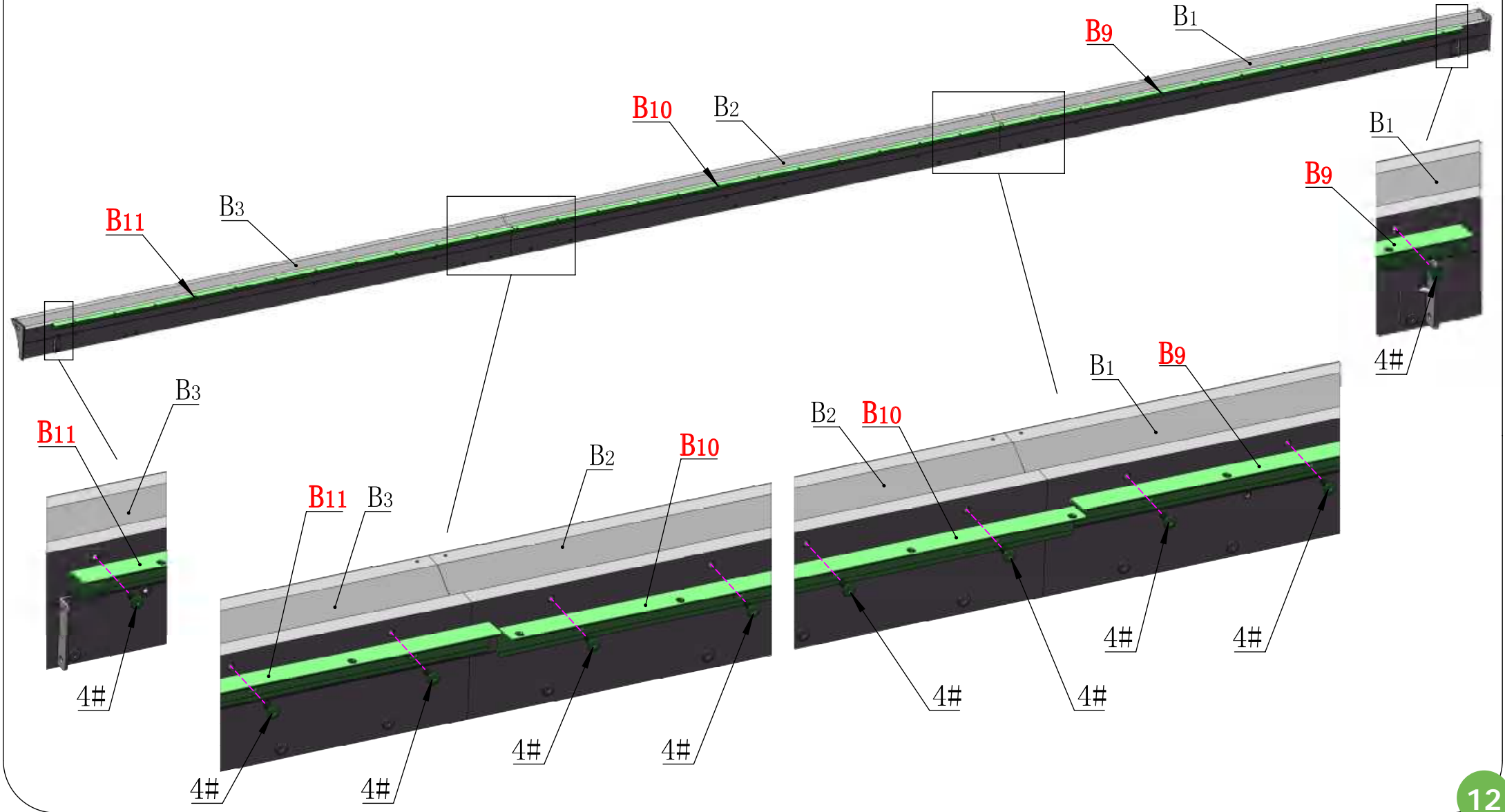
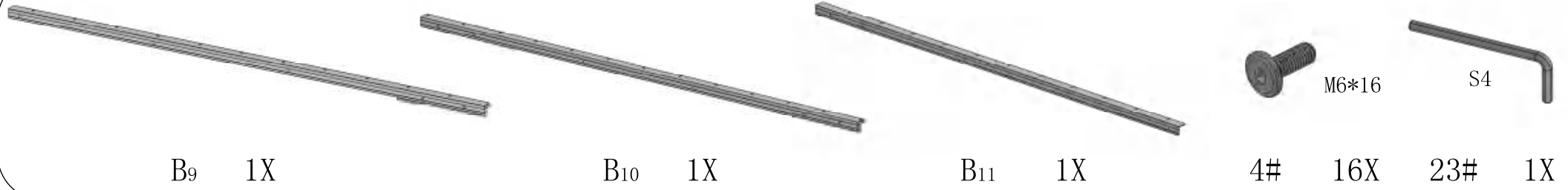
4# 8X



S4

23# 1X



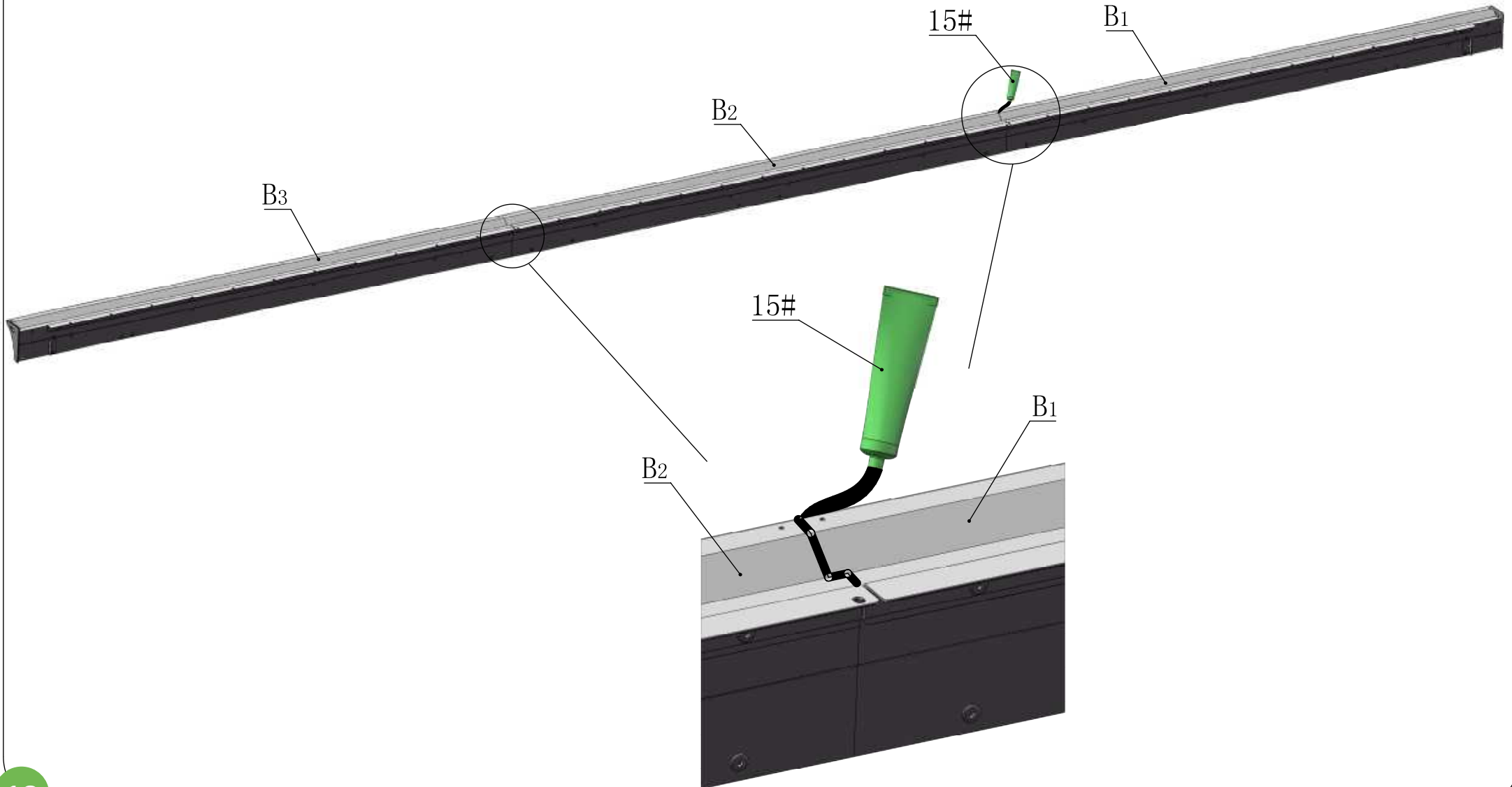




15#

1X

Use silicone sealant (part #15) to affix the gap between the two beams.





B8 2X



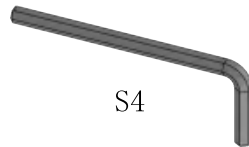
ST4.8*13

1# 4X



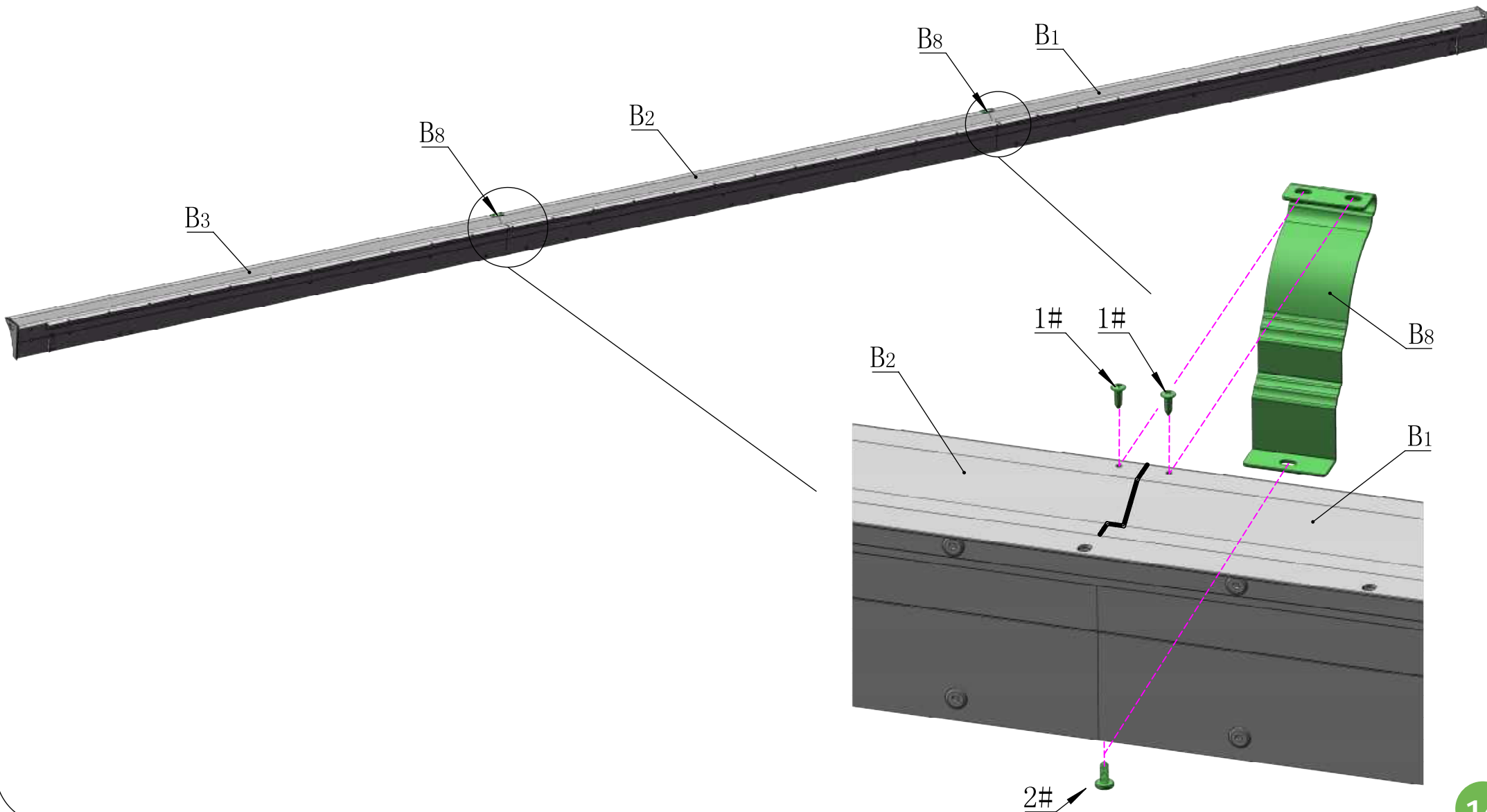
M5*12

2# 2X



S4

23# 1X





O1 2X



O2 2X



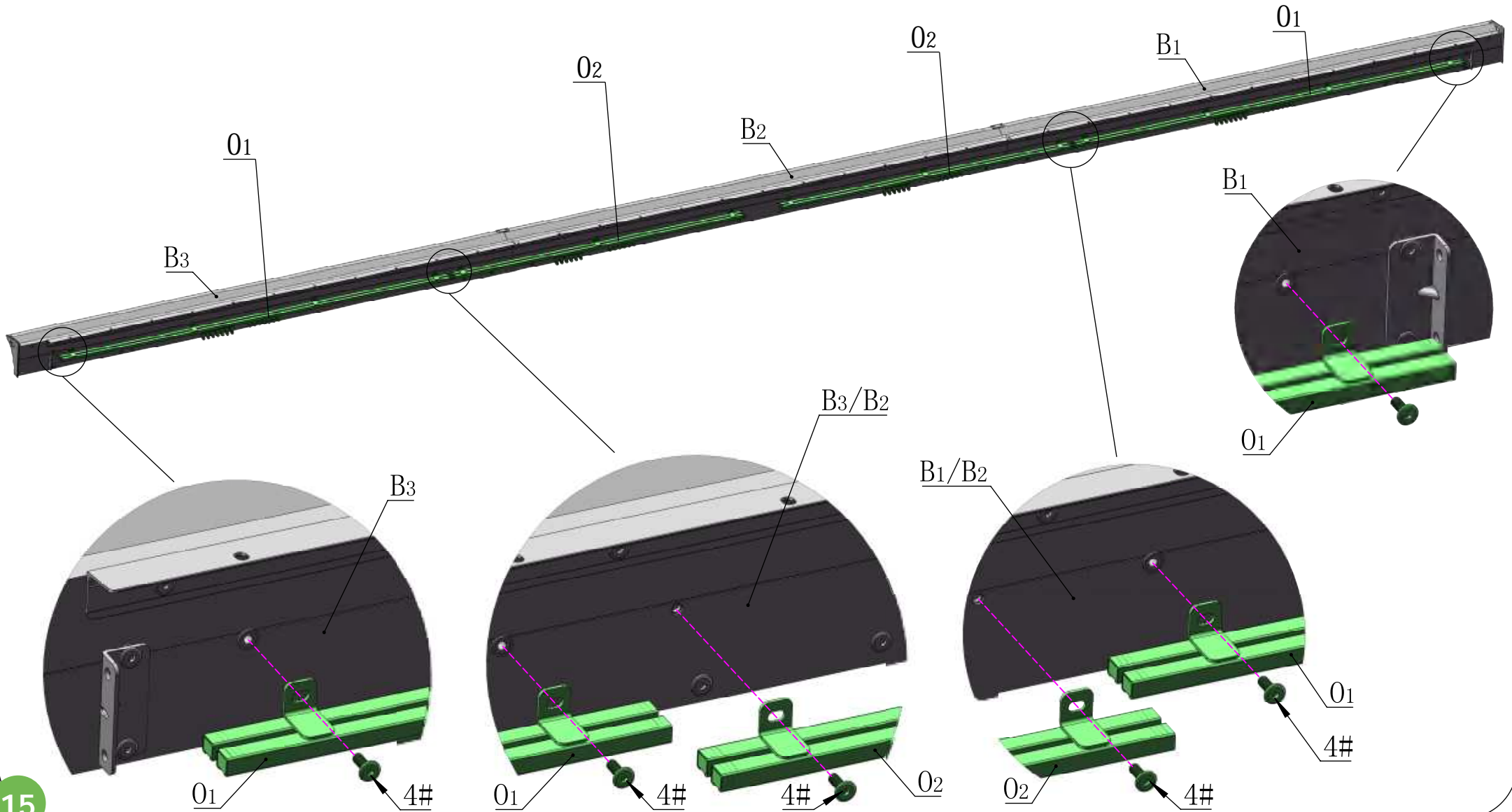
M6*16

4# 14X

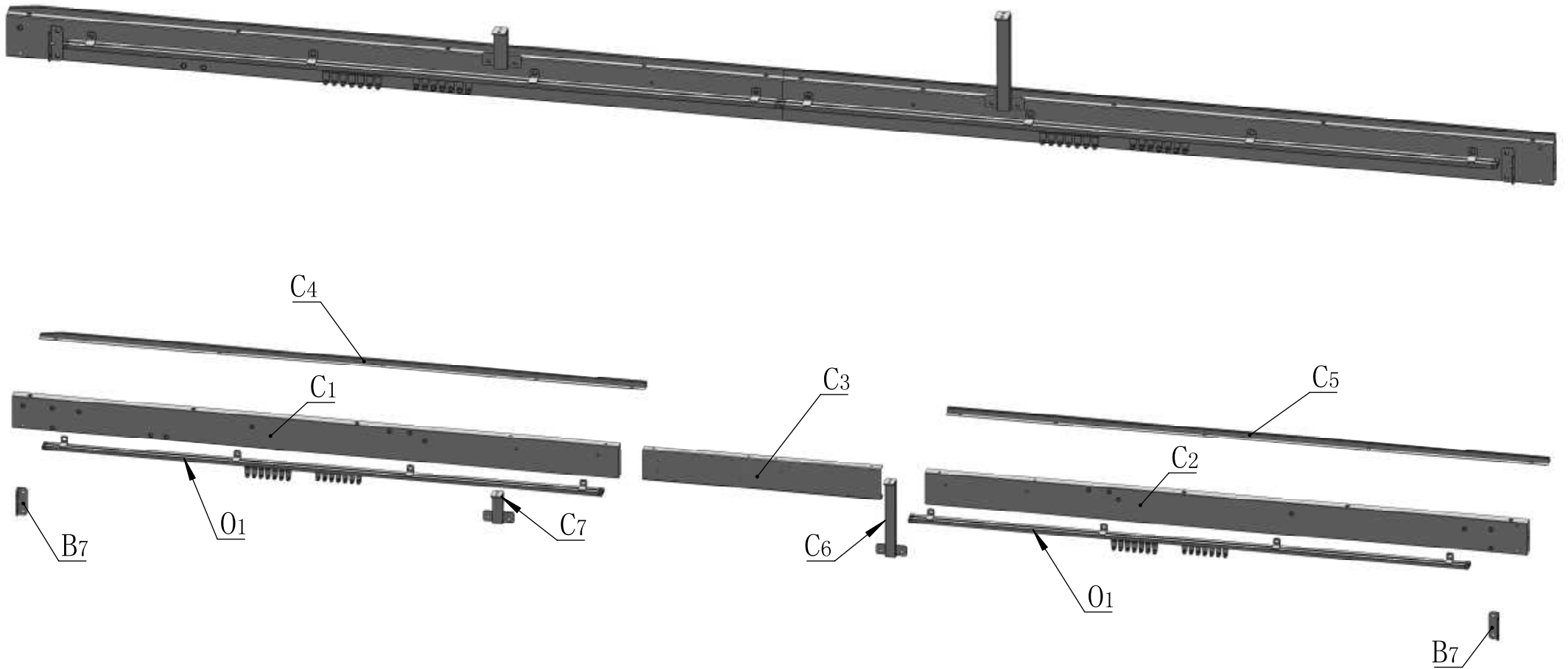


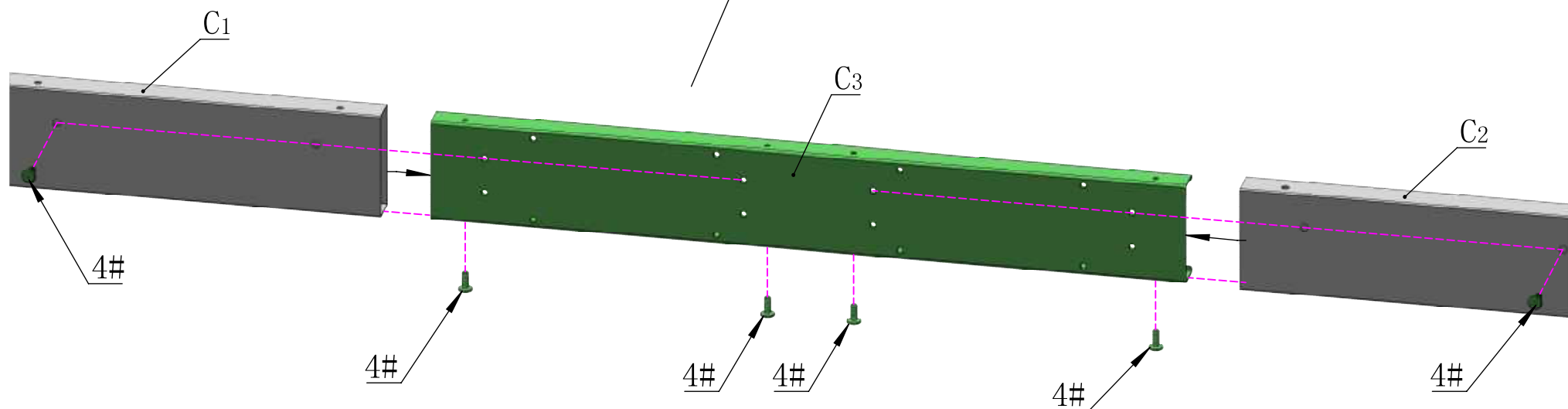
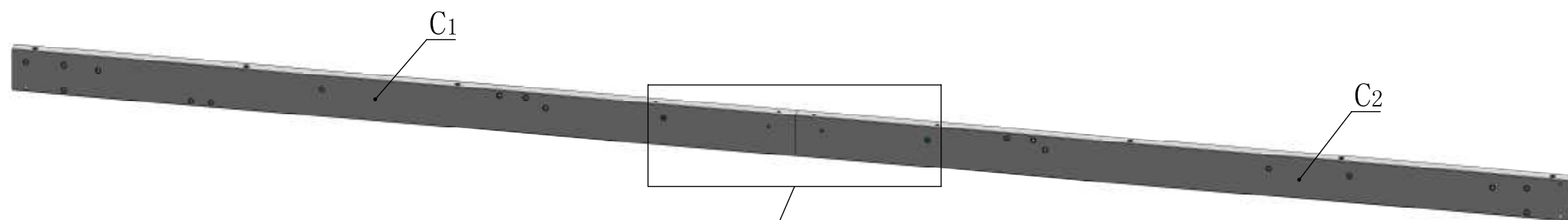
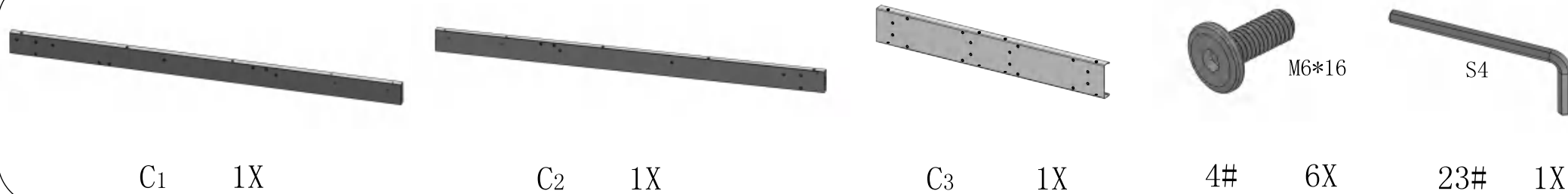
S4

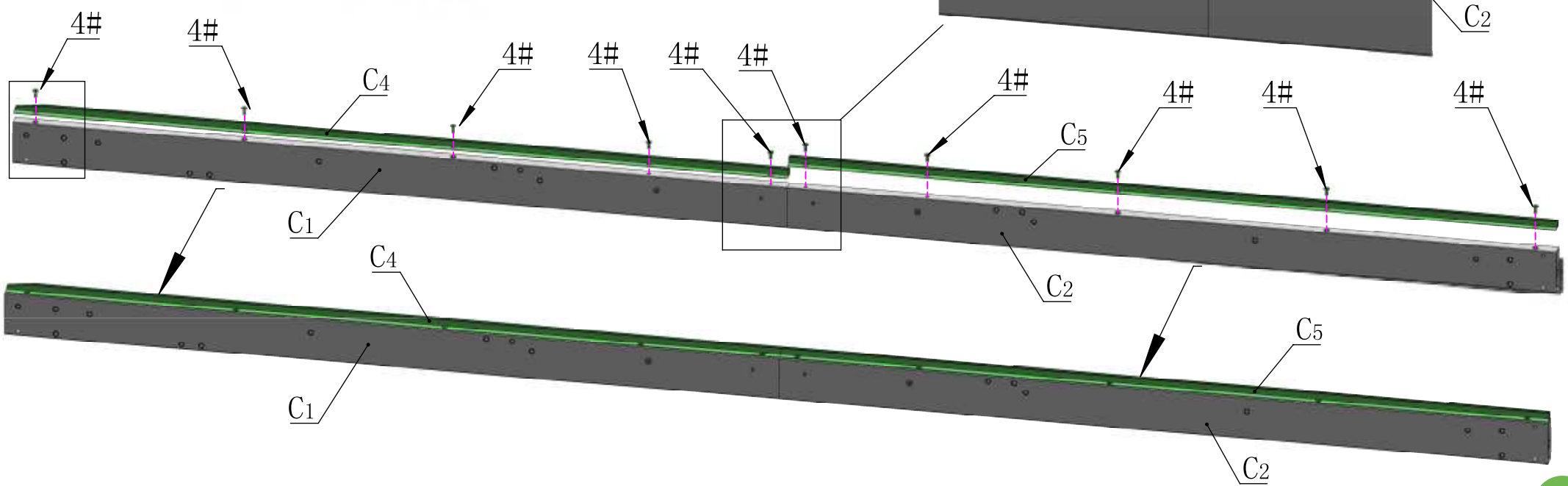
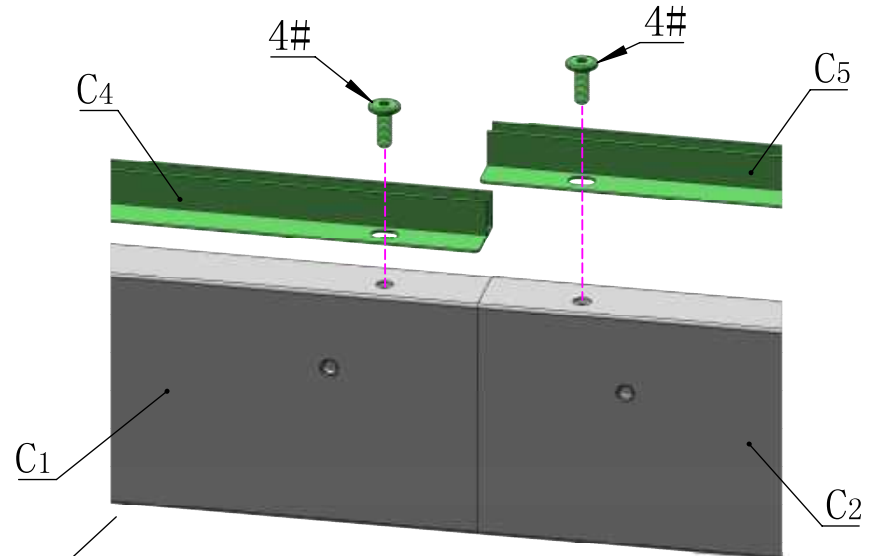
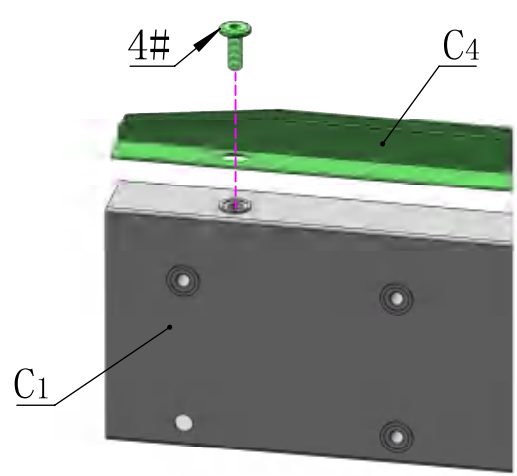
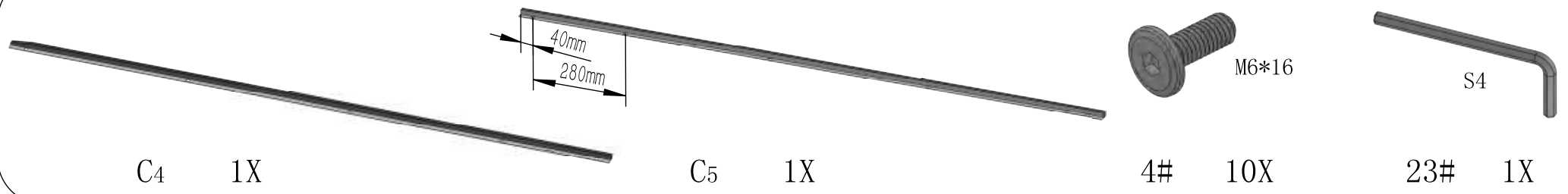
23# 1X



Side Beam Assembly









C6 1X



C7 1X



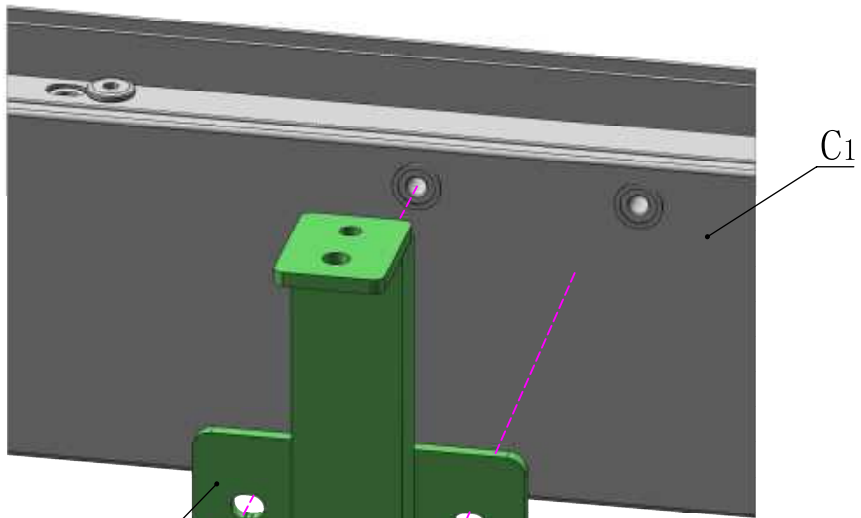
M6*16

4# 4X



S4

23# 1X

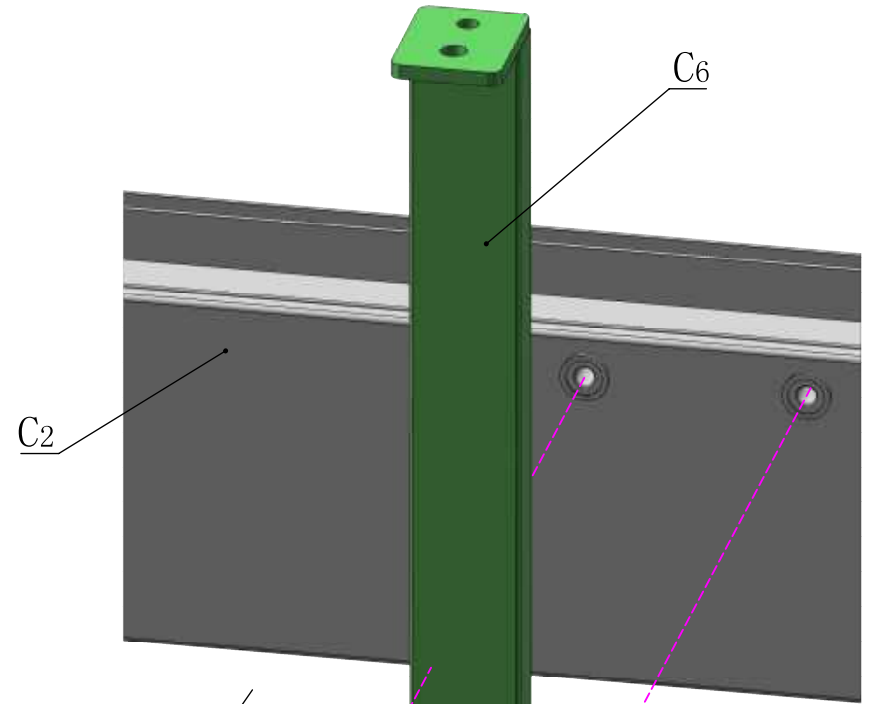


C7

4#

4#

C1

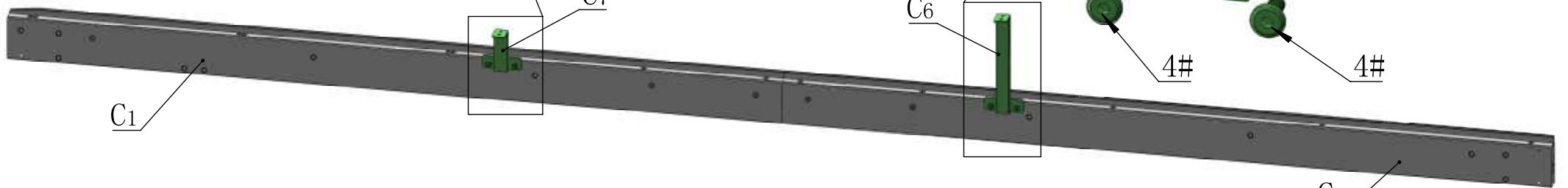


C6

C2

4#

4#



C1

C7

C6

C2



B7 2X

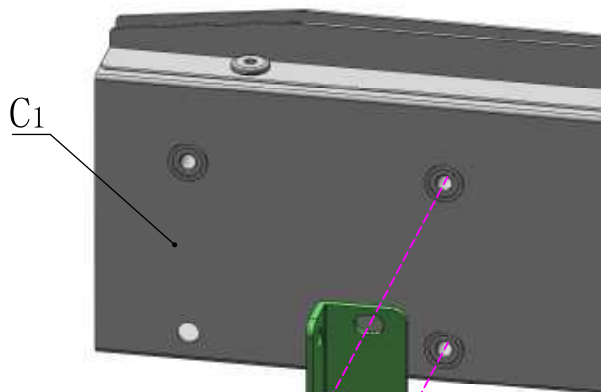


M6*16

4# 4X



23# 1X

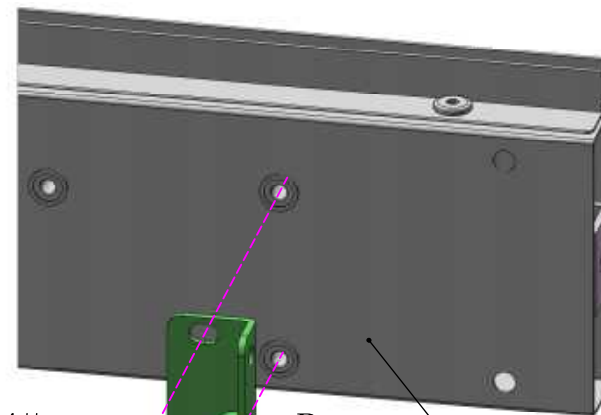


C1

4#

B7

4#



4#

B7

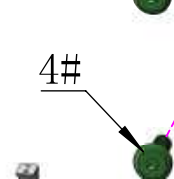
C2

4#

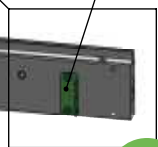
B7



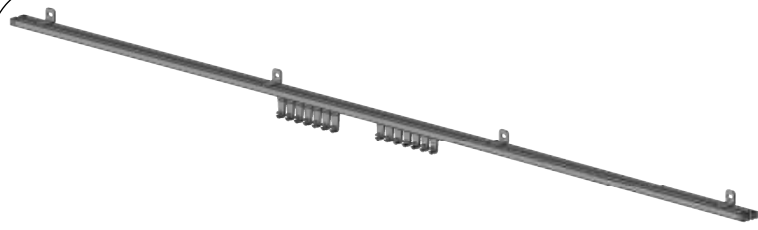
C1



B7



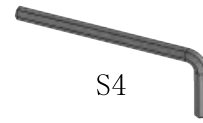
C2



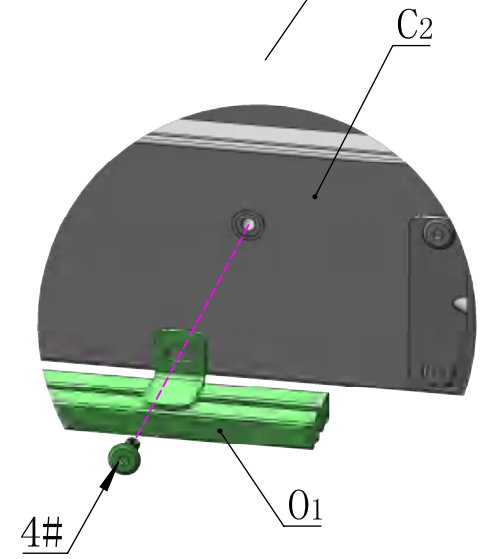
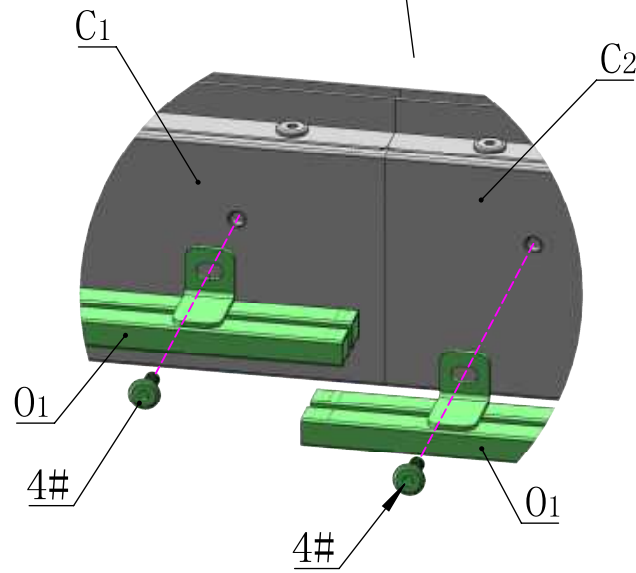
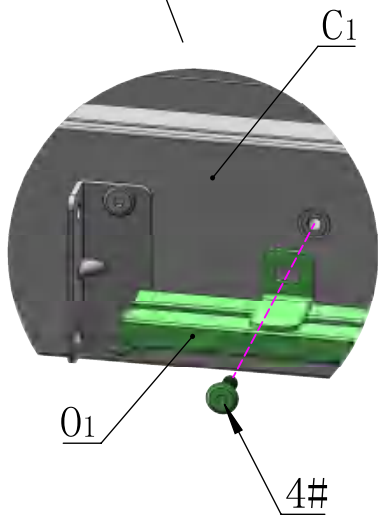
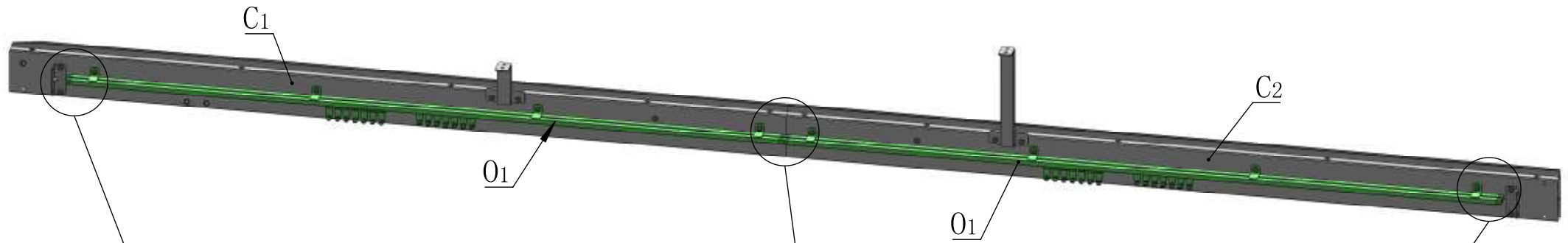
O1 2X



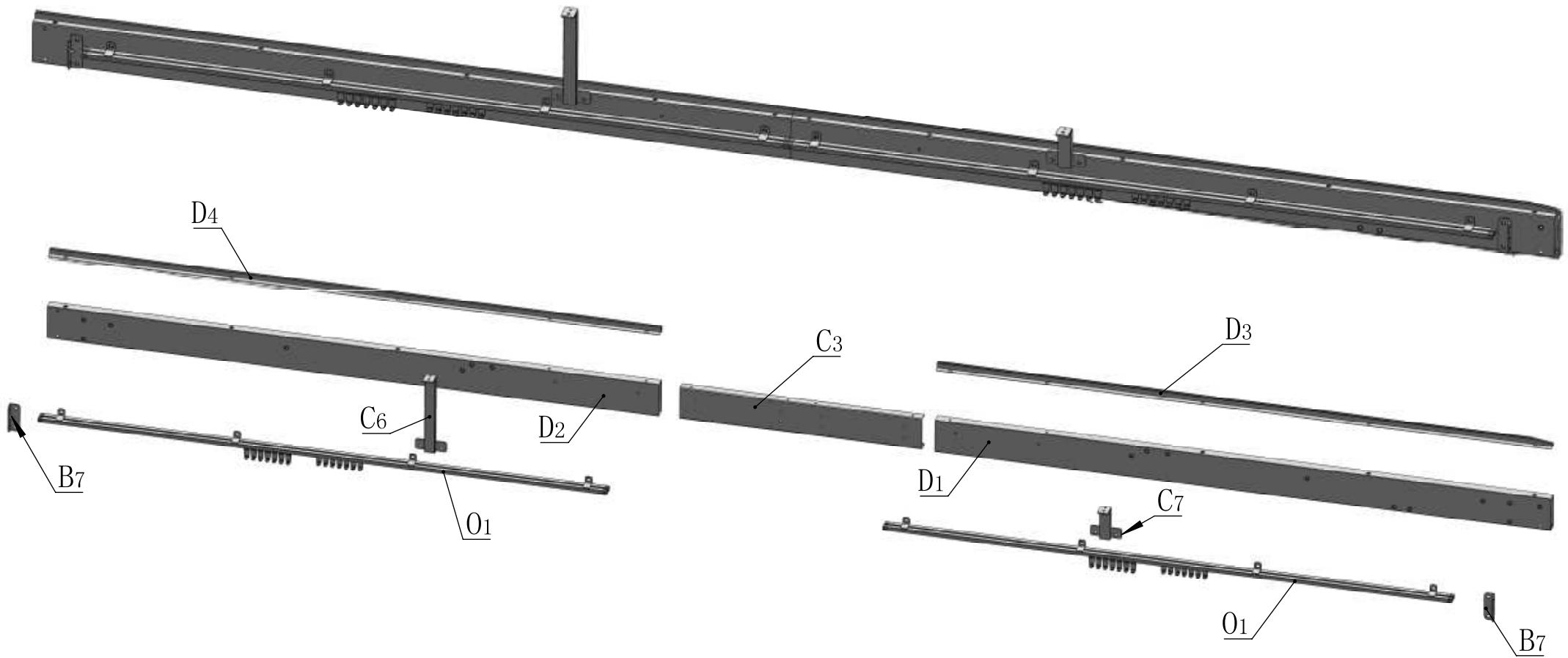
4# 8X



23# 1X



Side Beam Assembly

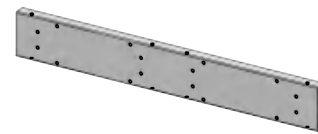




D1 1X



D2 1X



C3 1X

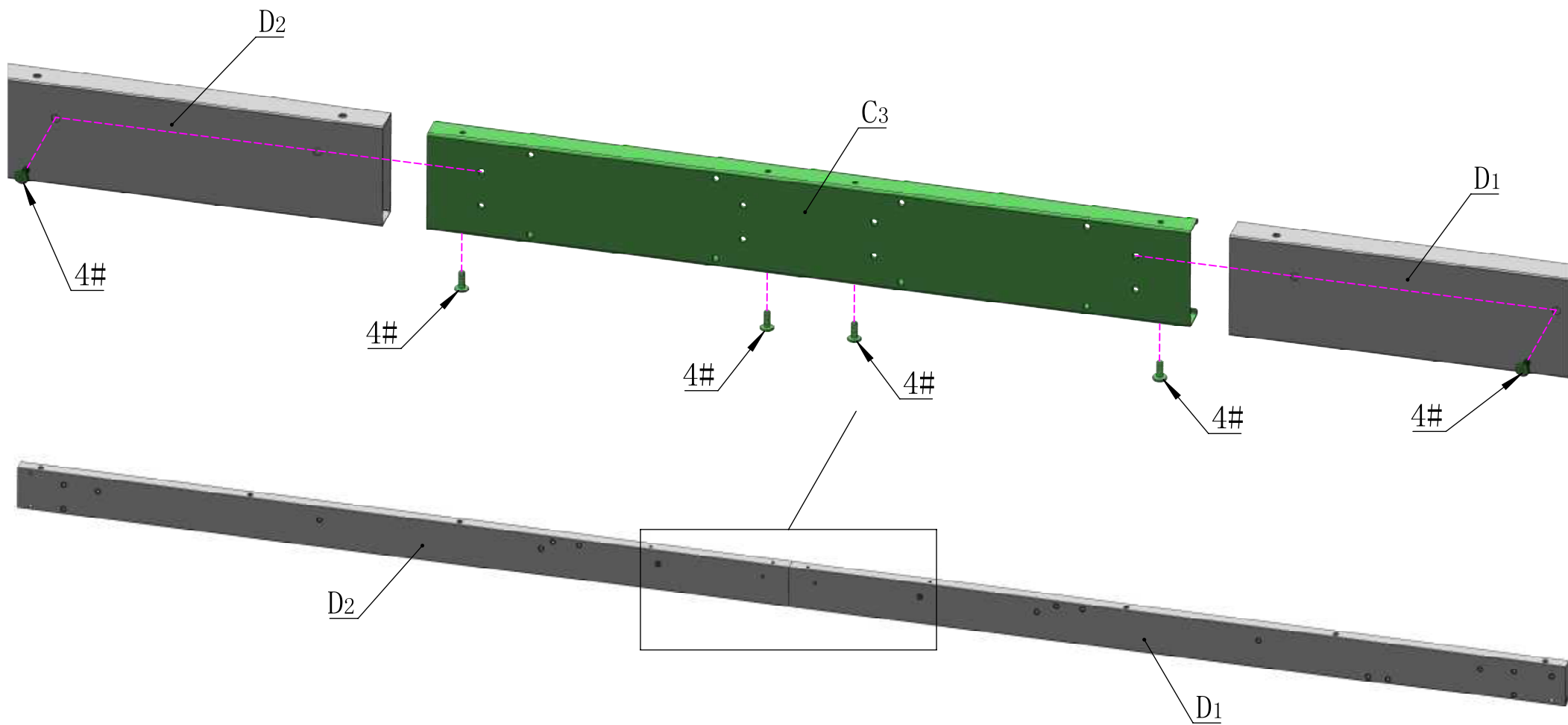


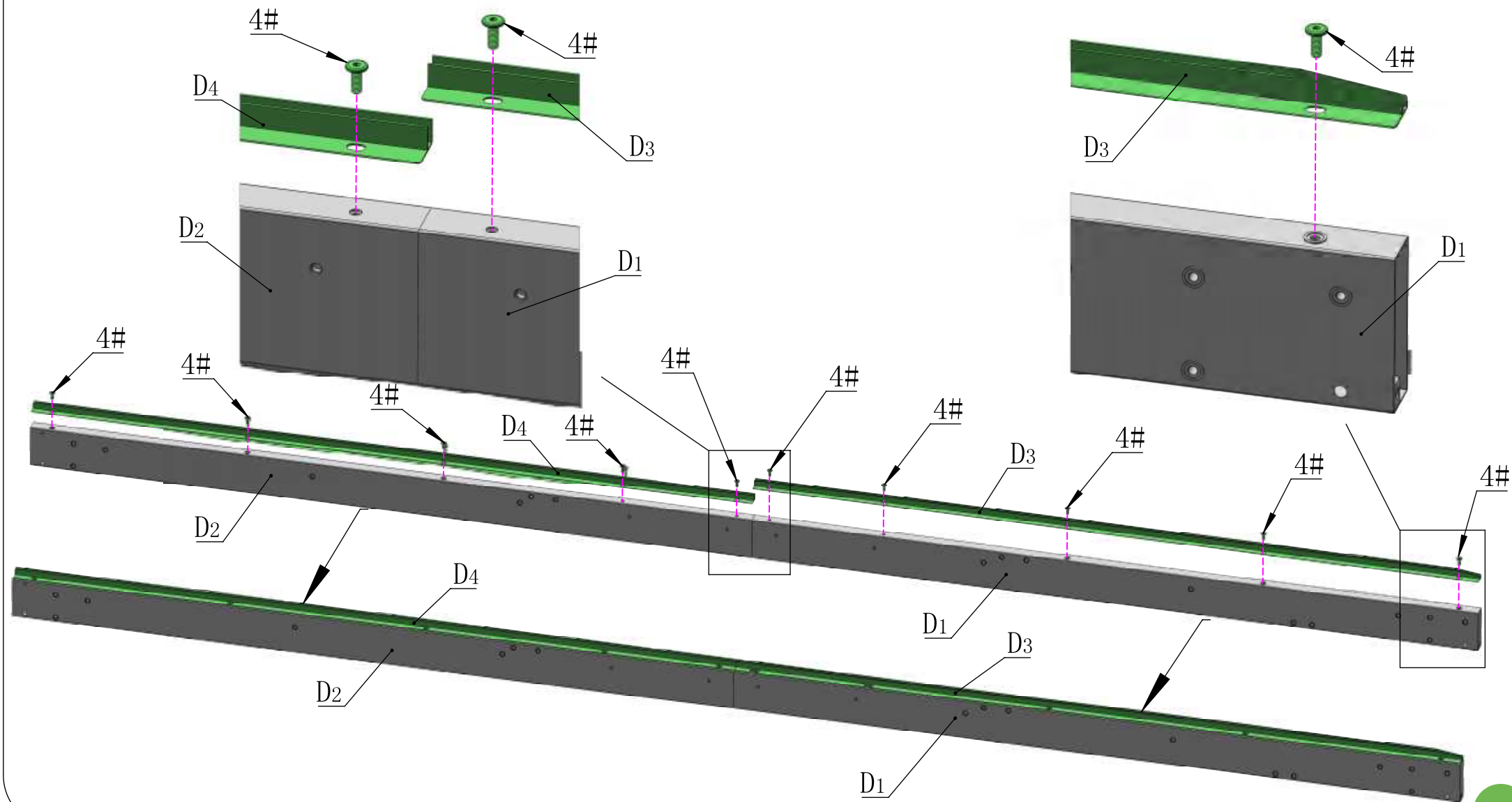
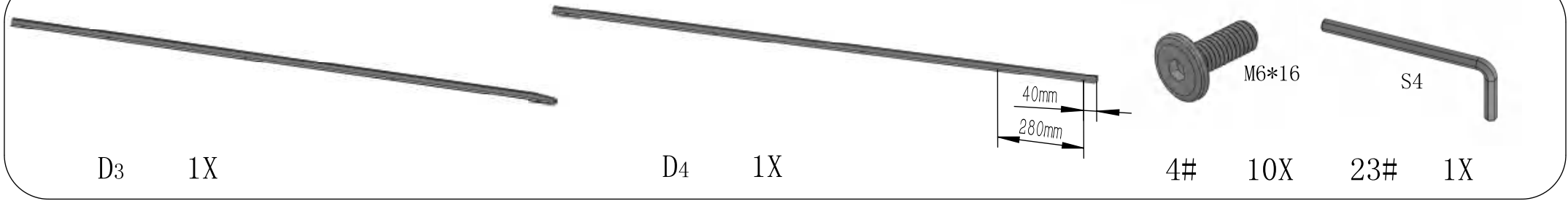
M6*16



S4

4# 6X 23# 1X







C6 1X

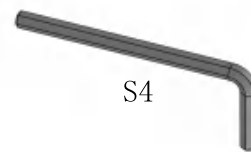


C7 1X



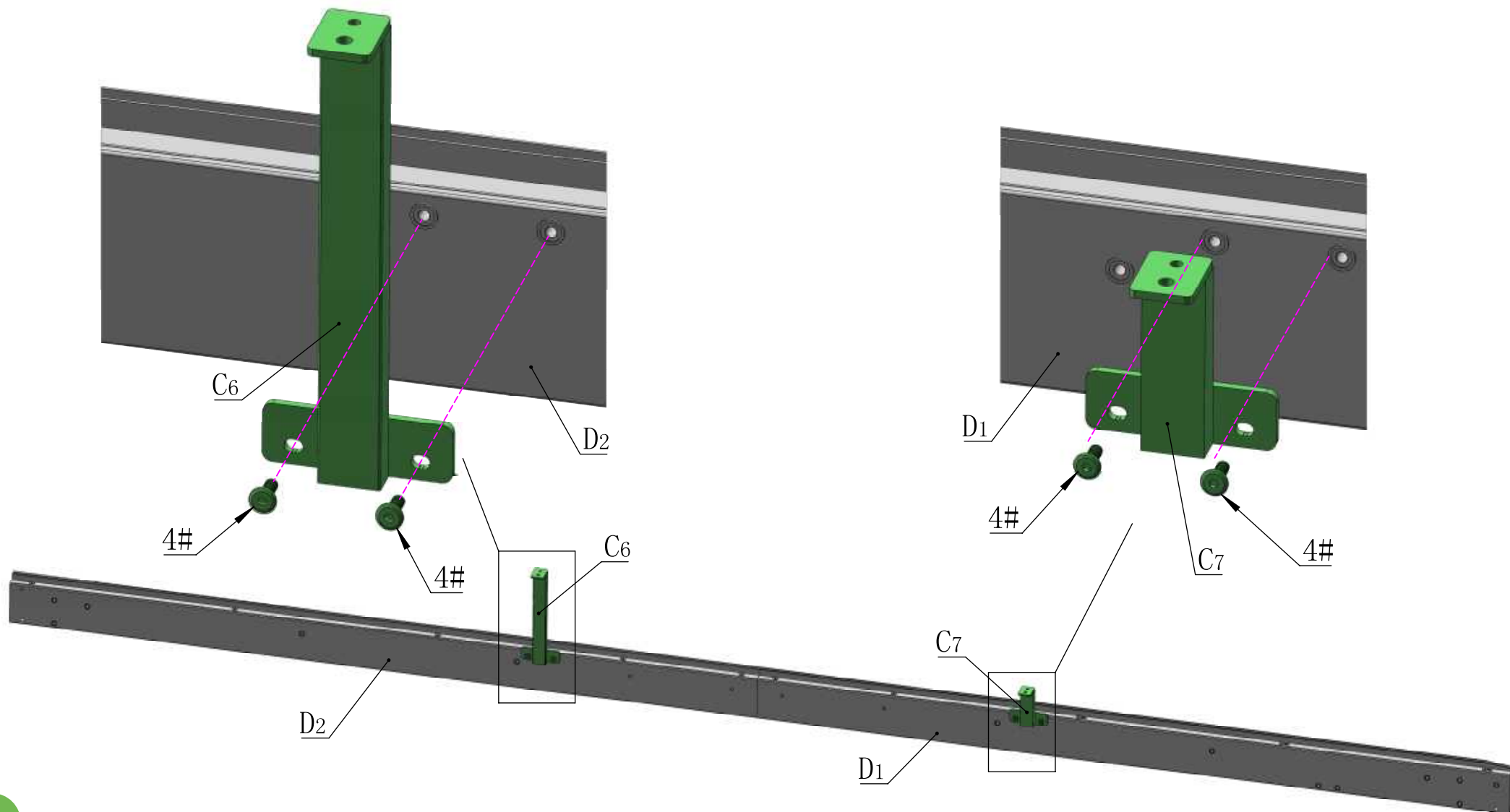
M6*16

4# 4X



S4

23# 1X



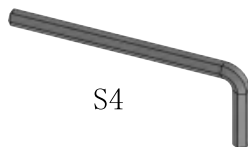


B7 2X



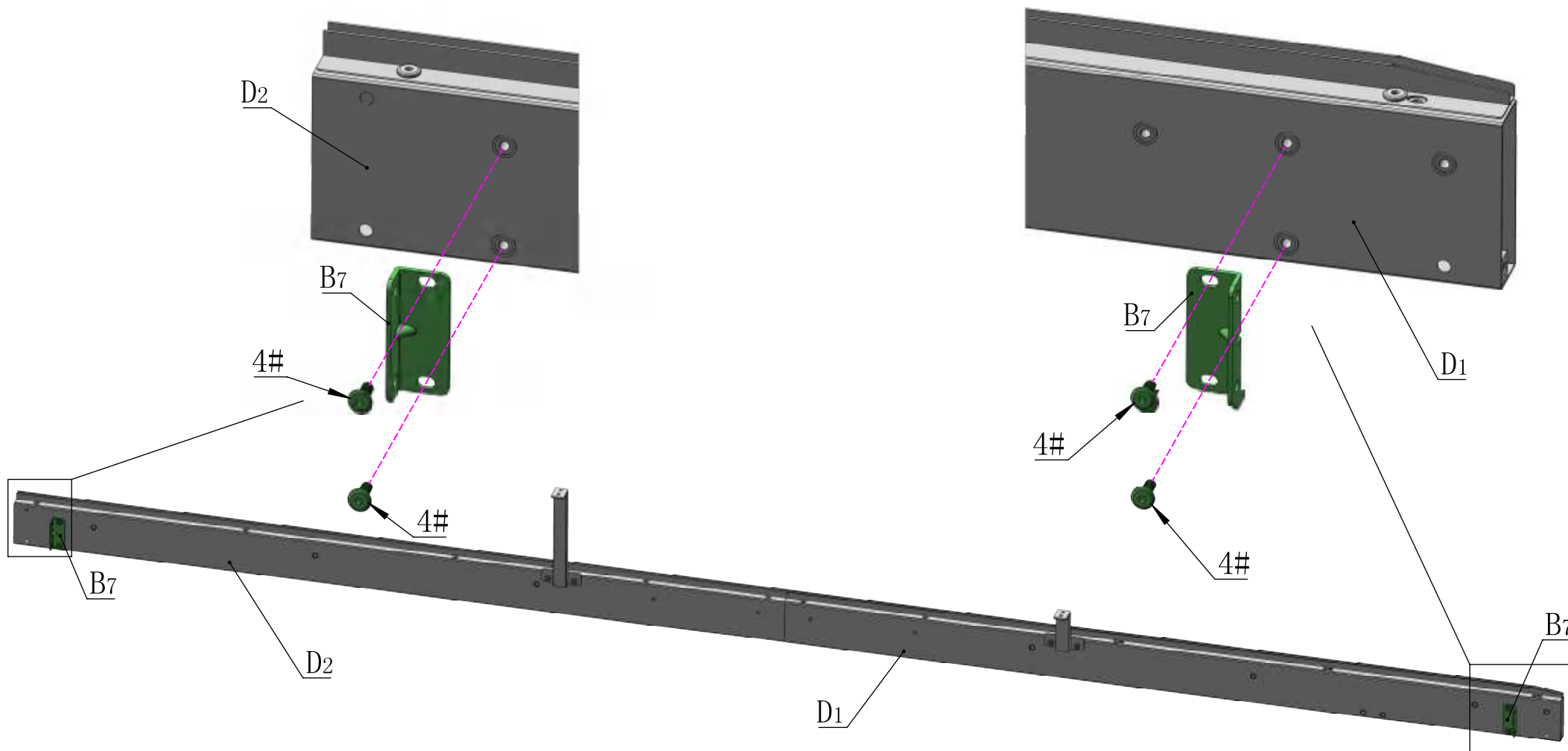
M6*16

4# 4X



S4

23# 1X

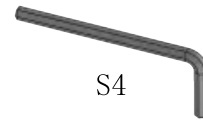




O1 2X



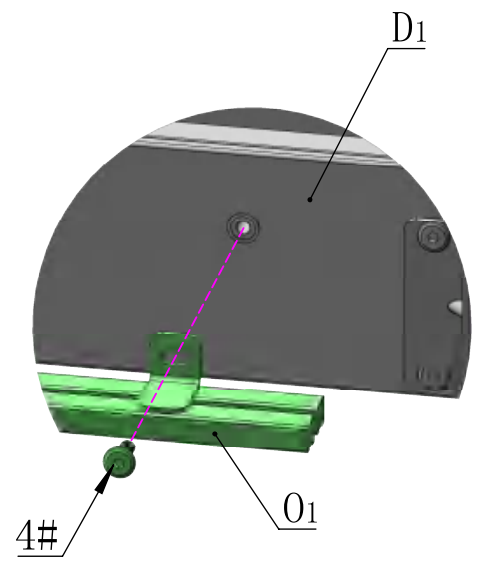
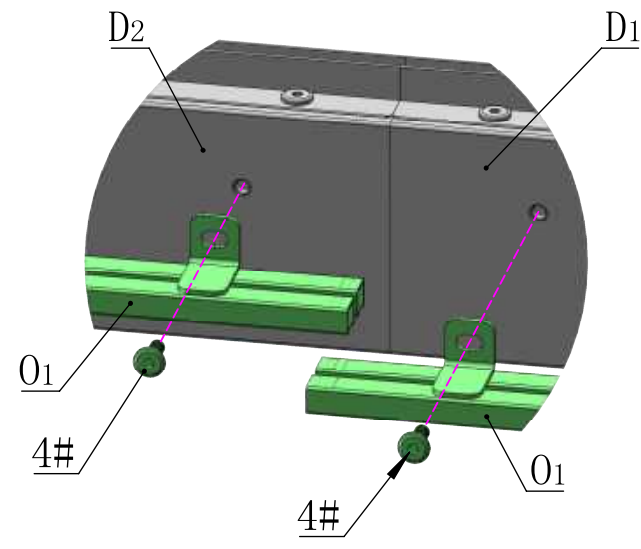
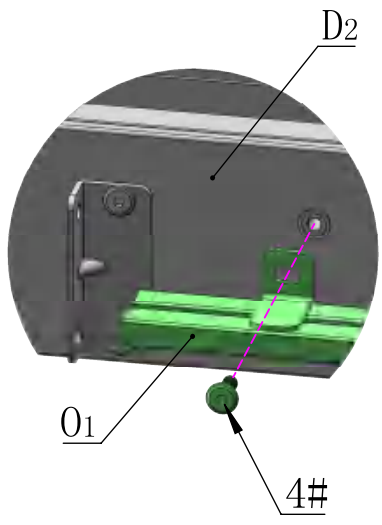
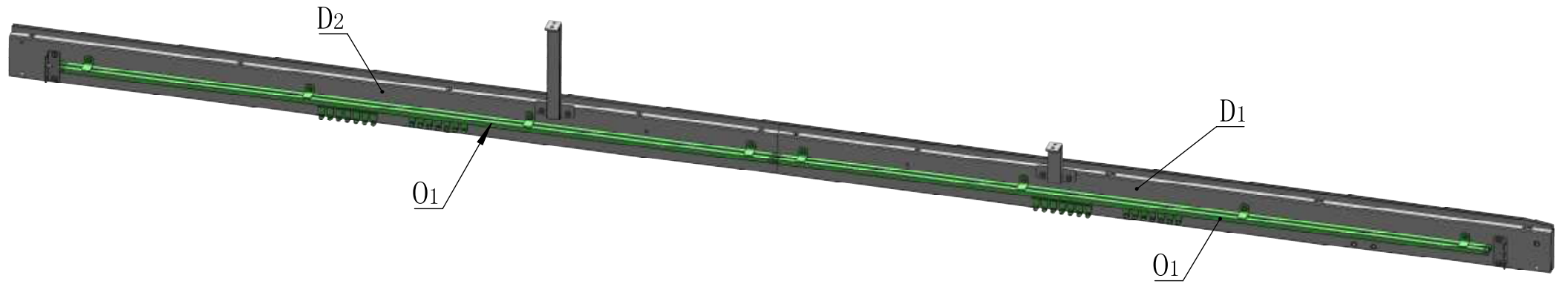
M6*16



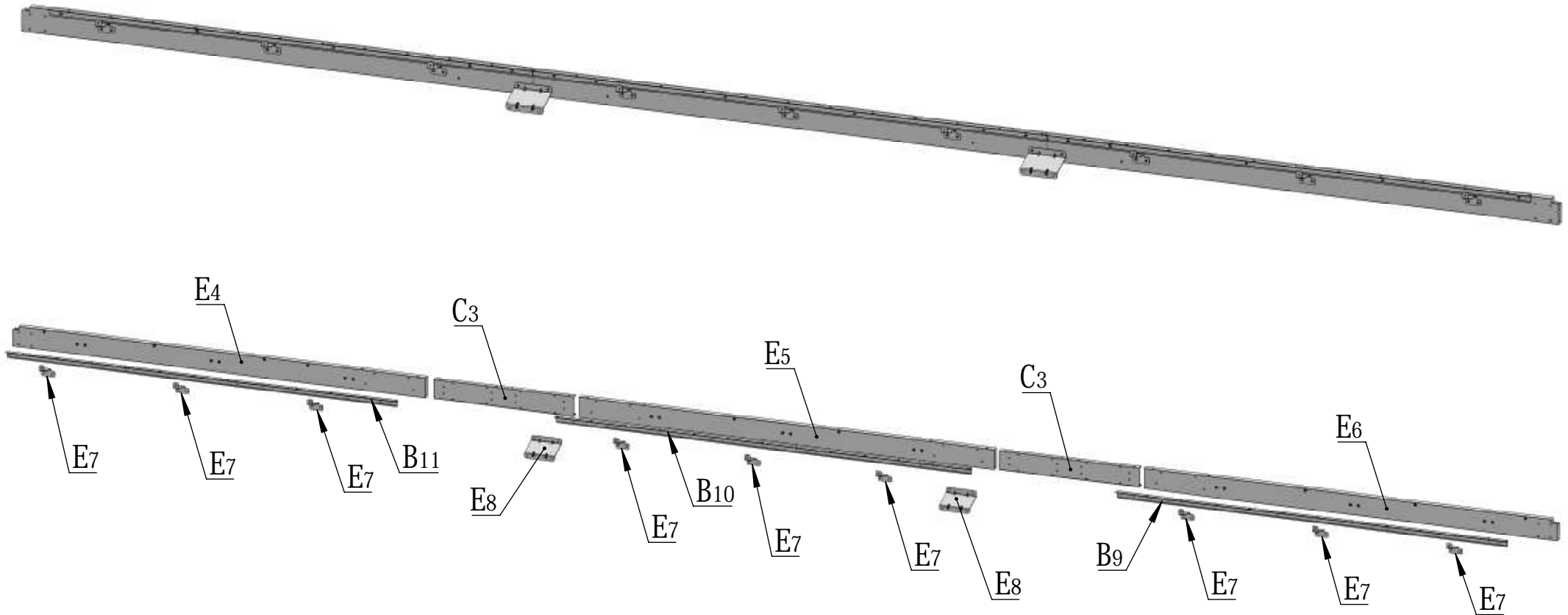
S4

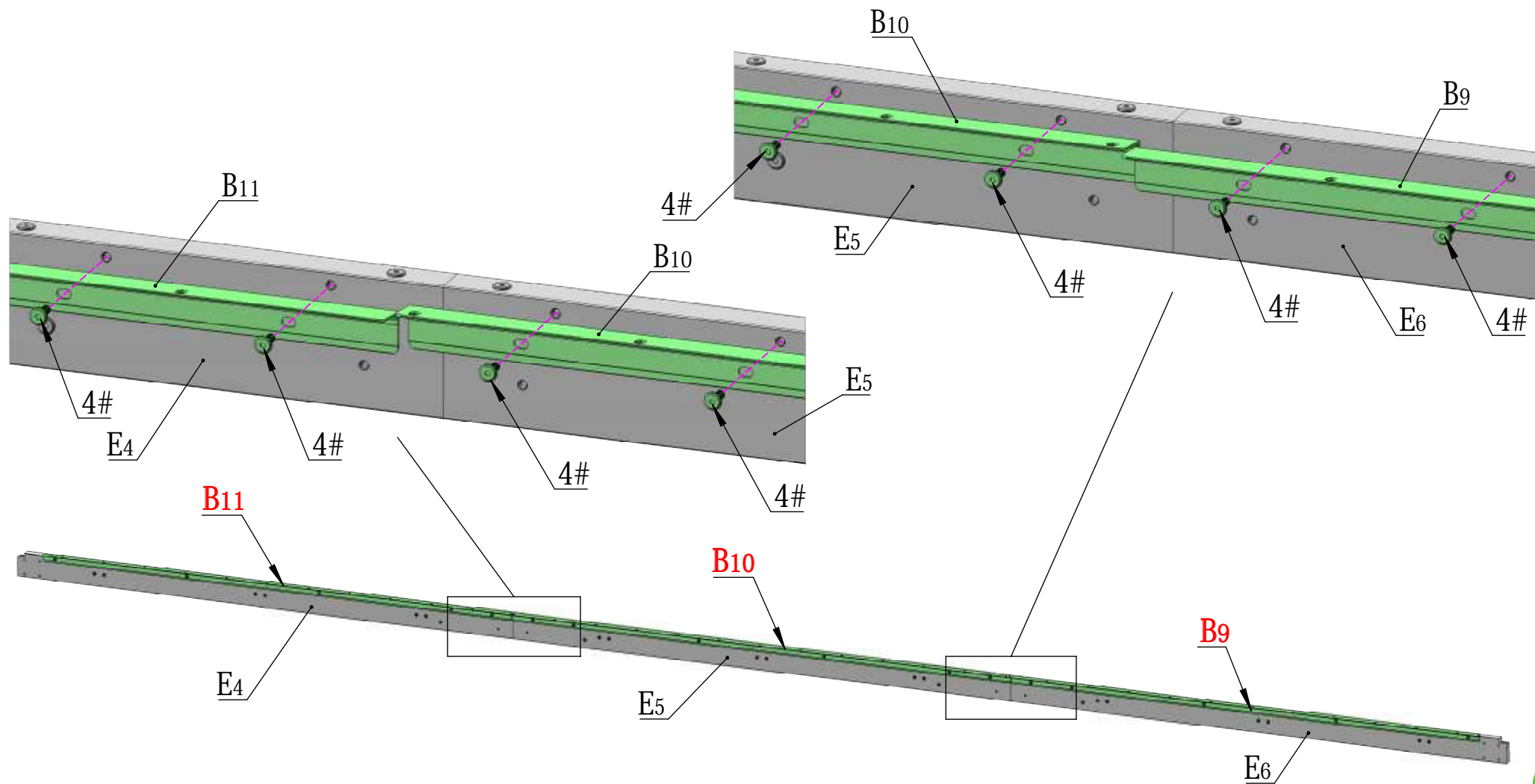
4# 8X

23# 1X



Rear Beam Assembly







E7

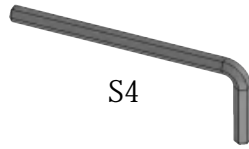
9X



M6*16

4#

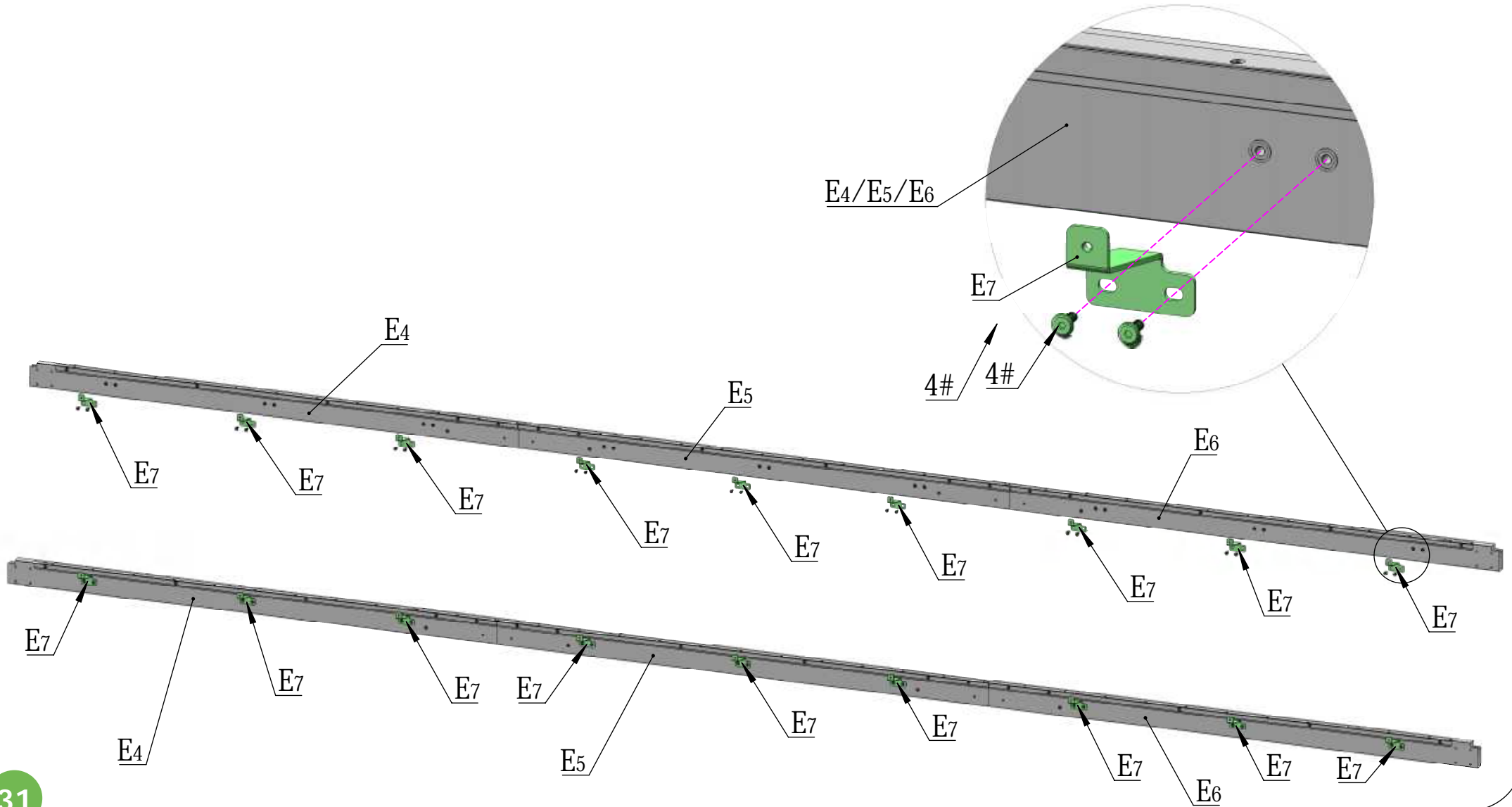
18X

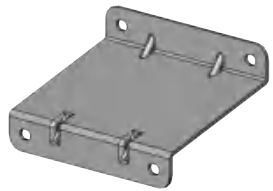


S4

23#

1X

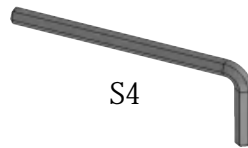




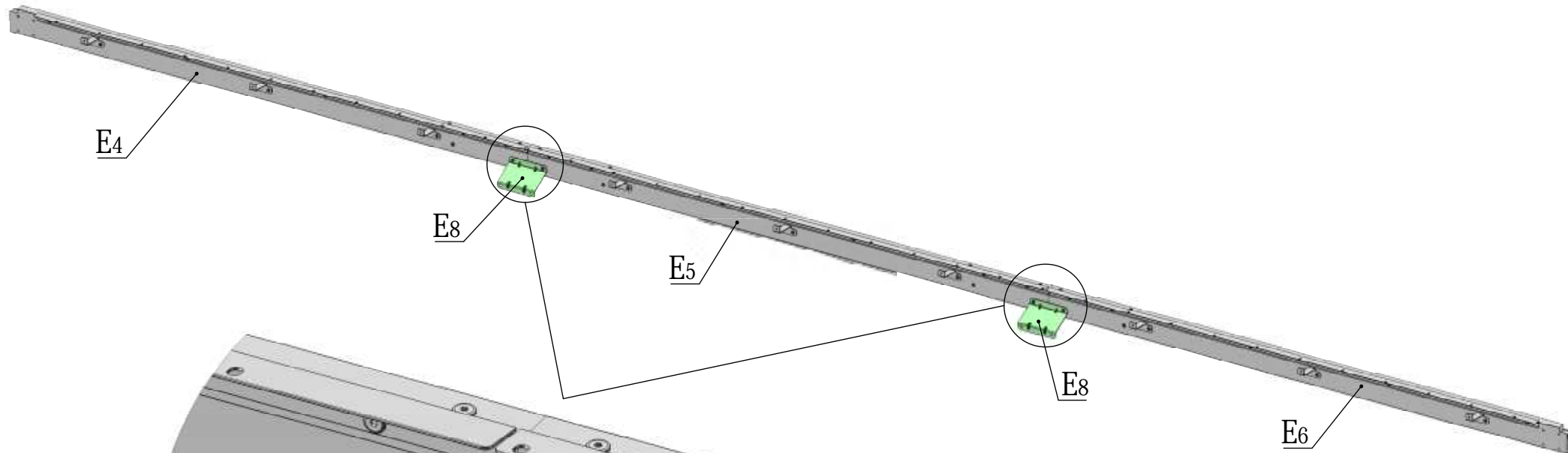
E8 2X



M6*16
4# 4X

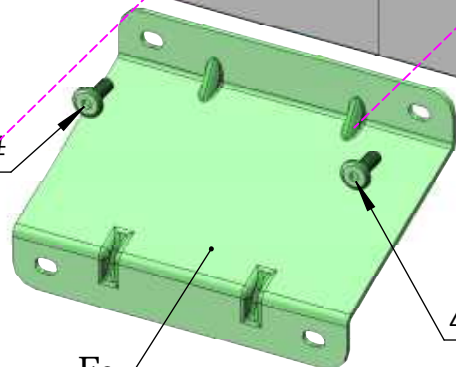


S4
23# 1X



E6/E4

4#

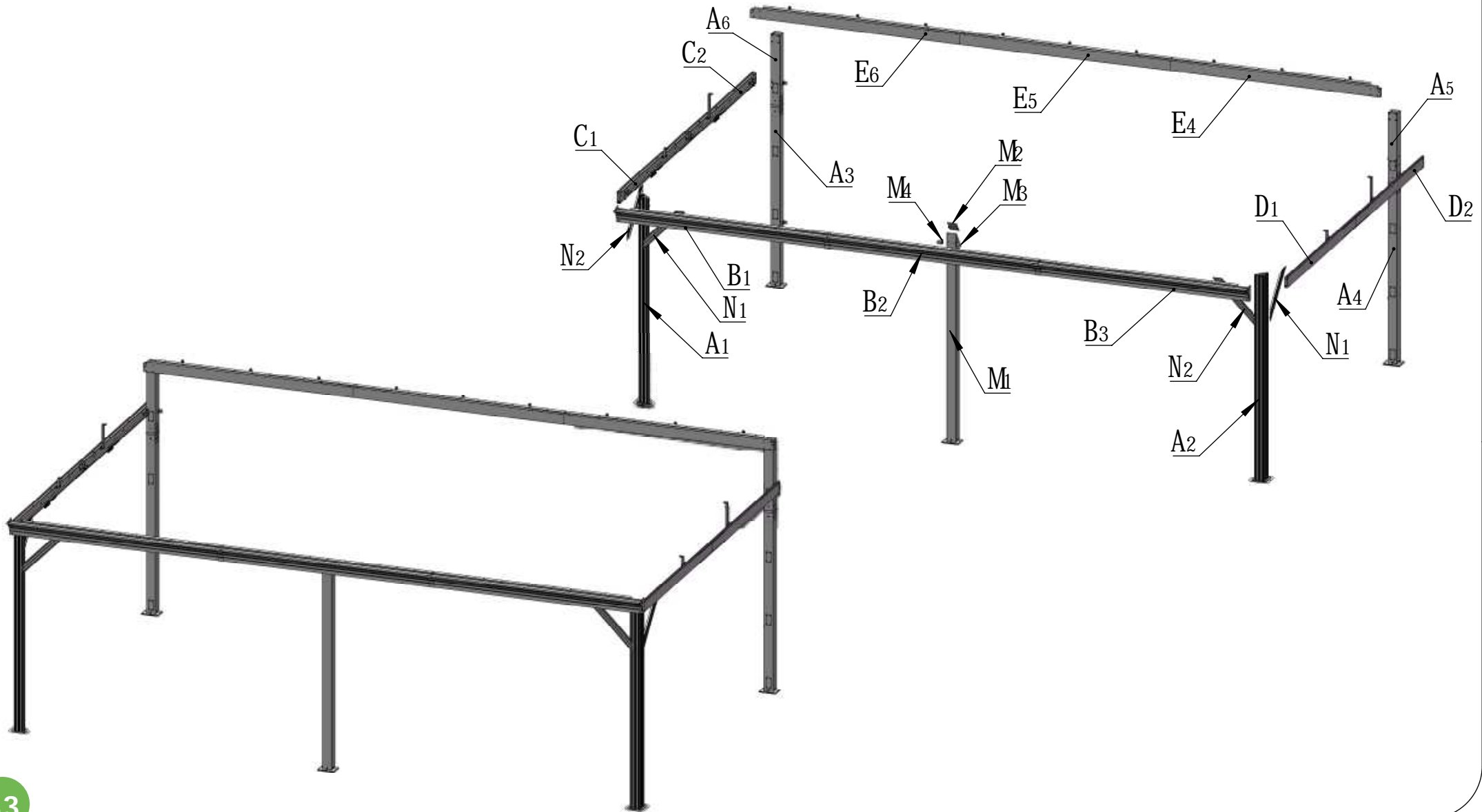


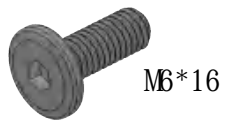
E8

4#

E5

Frame Assembly

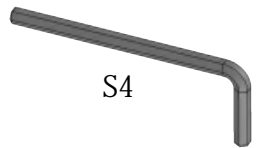




M6*16

4#

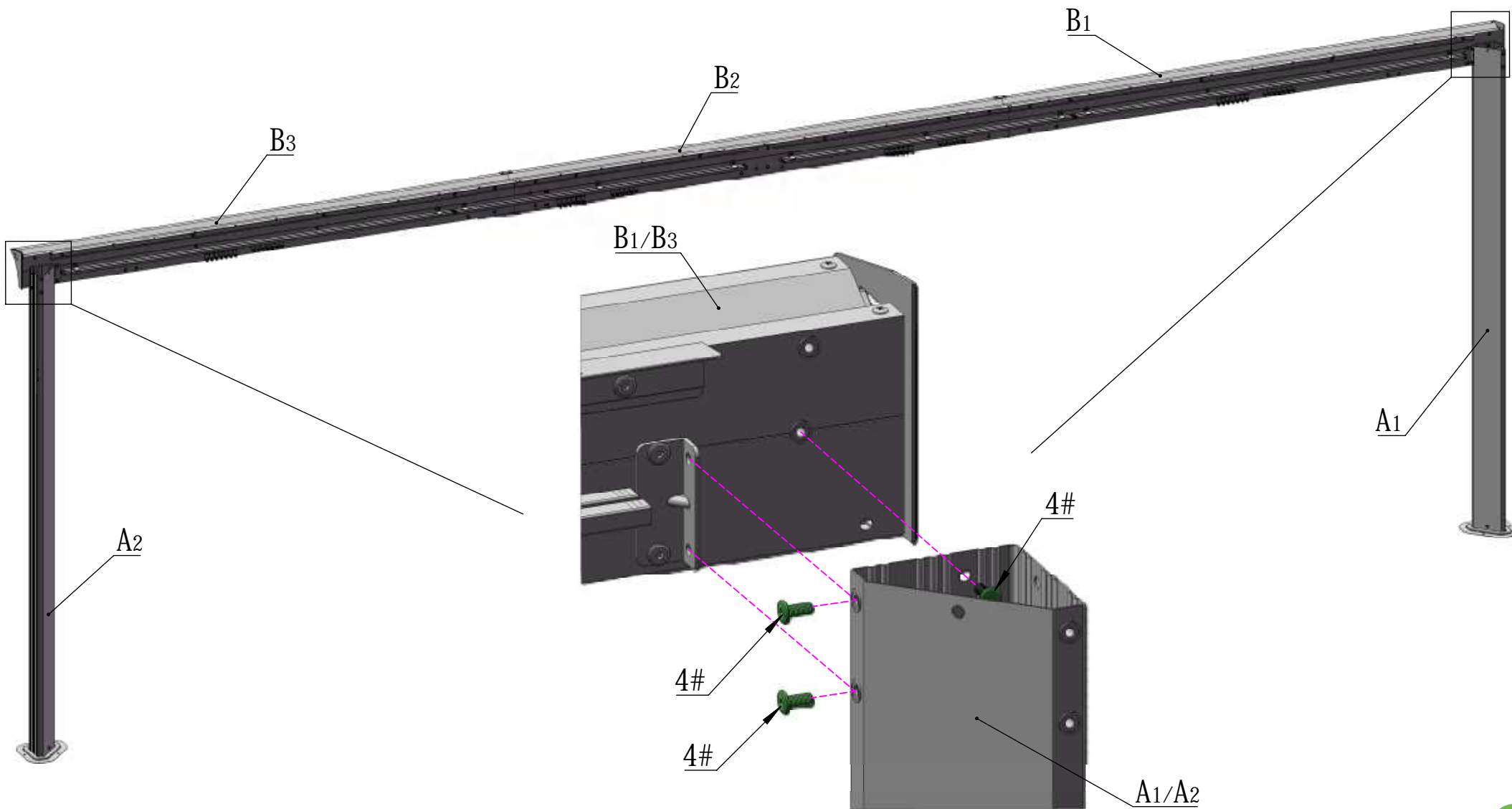
6X



S4

23#

1X



B1

B2

B3

B1/B3

A1

A2

4#

4#

4#

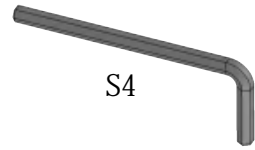
A1/A2



M6*16

4#

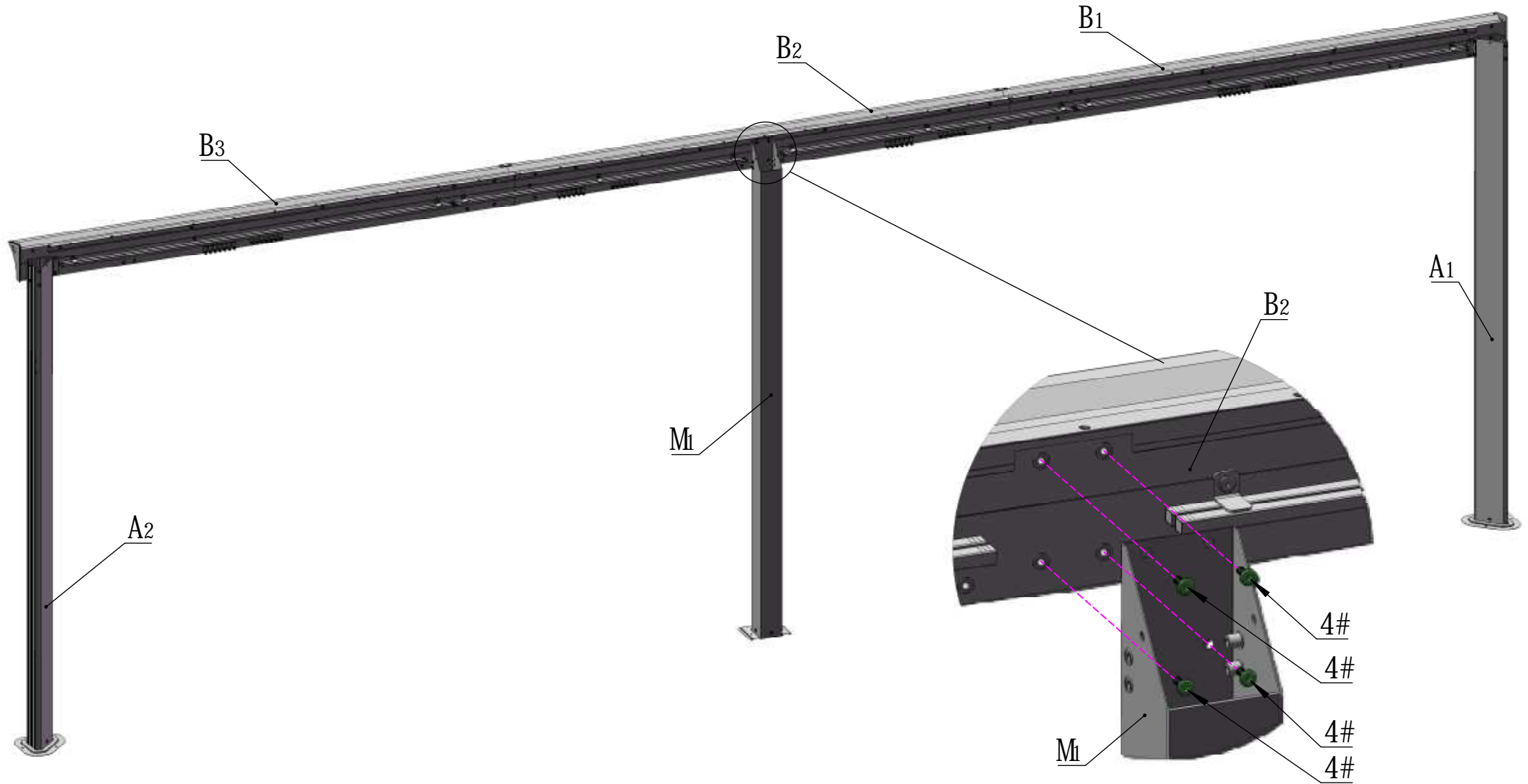
4X



S4

23#

1X





M_b

1X



M₄

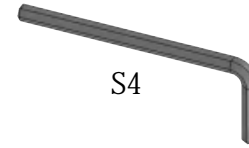
1X



M6*16

4#

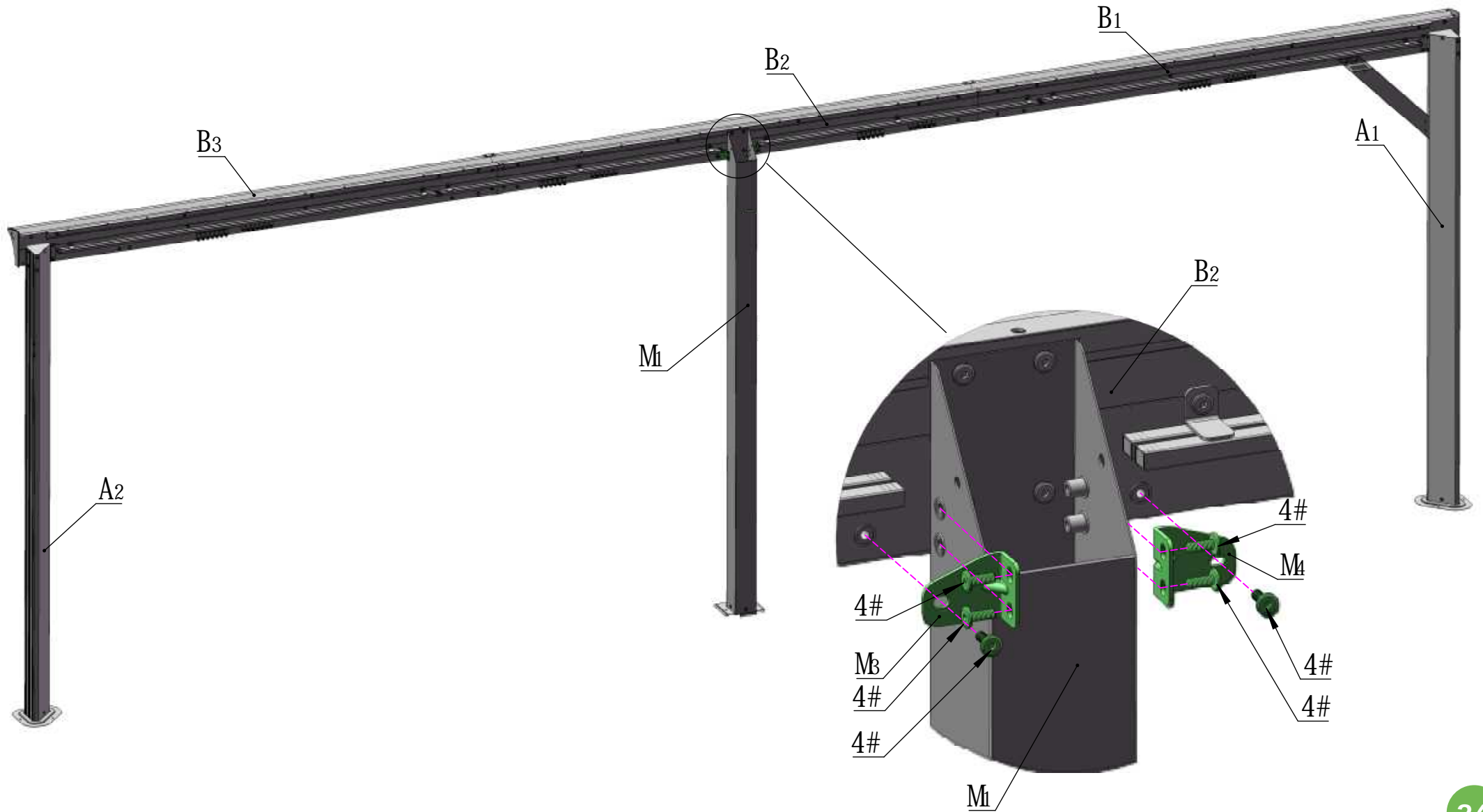
6X



S4

23#

1X



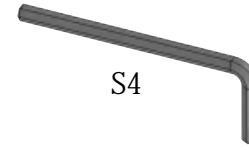


M₂ 1X



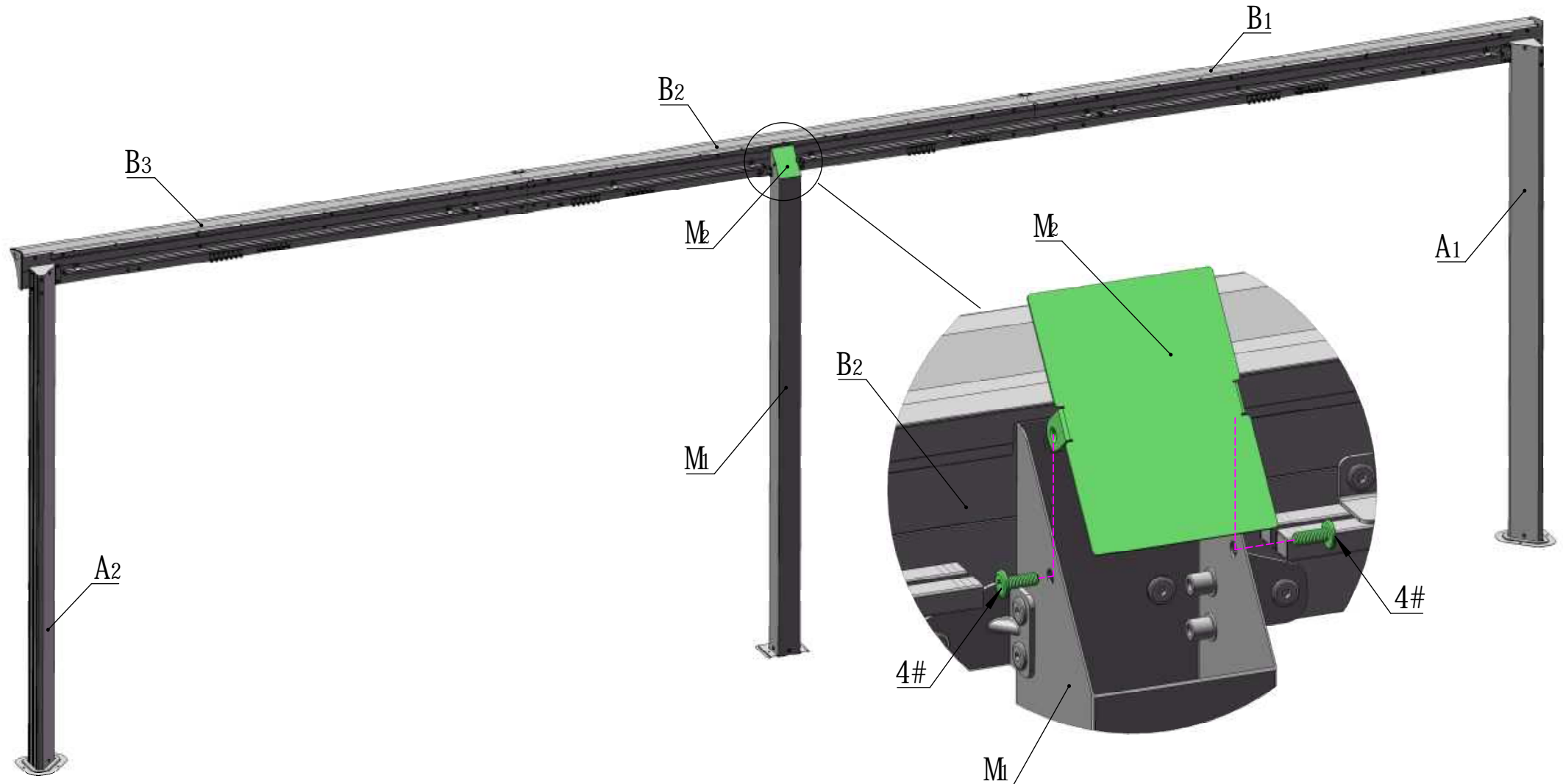
M6*16

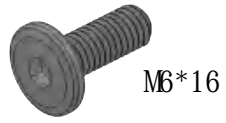
4# 2X



S4

23# 1X





M6*16

4#

10X



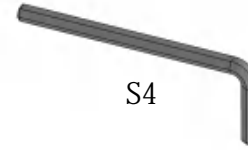
7#

2X



8#

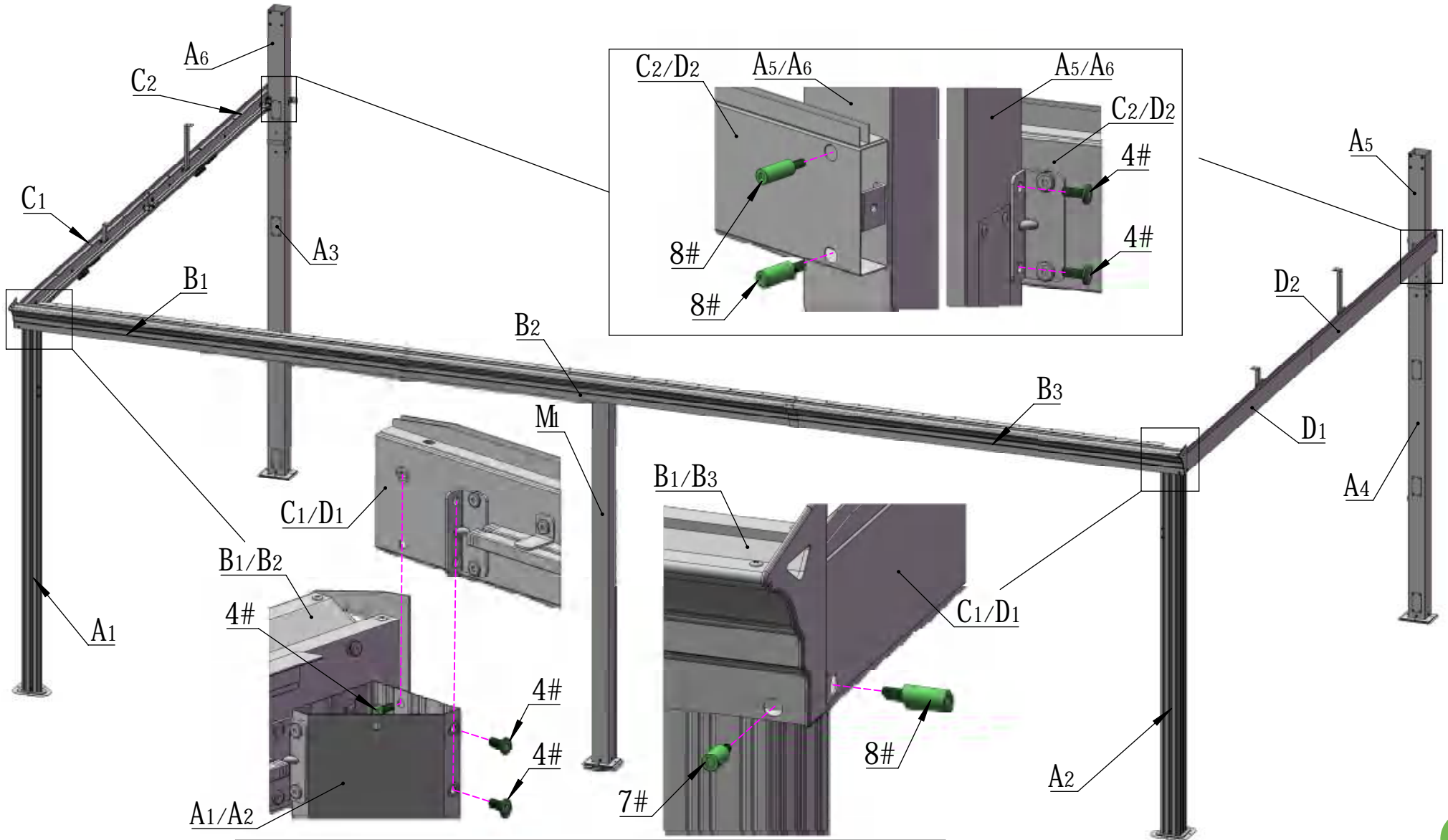
6X



S4

23#

1X





I1

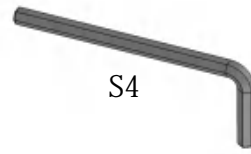
2X



M6*16

4#

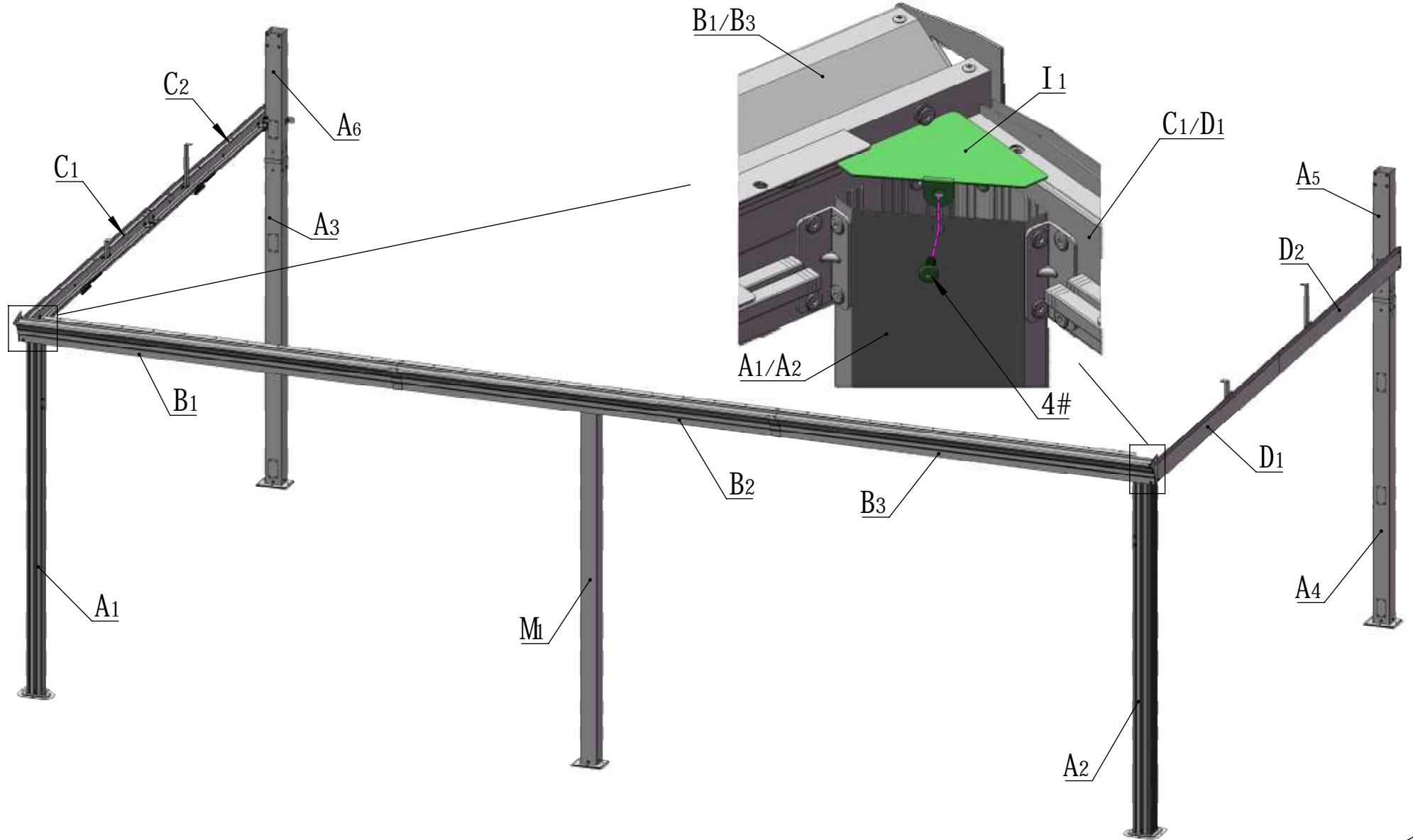
2X

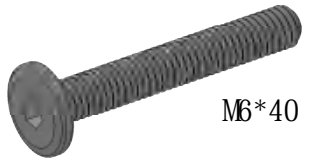


S4

23#

1X

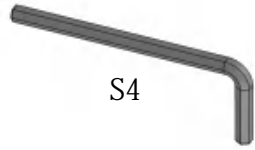




M6*40

6#

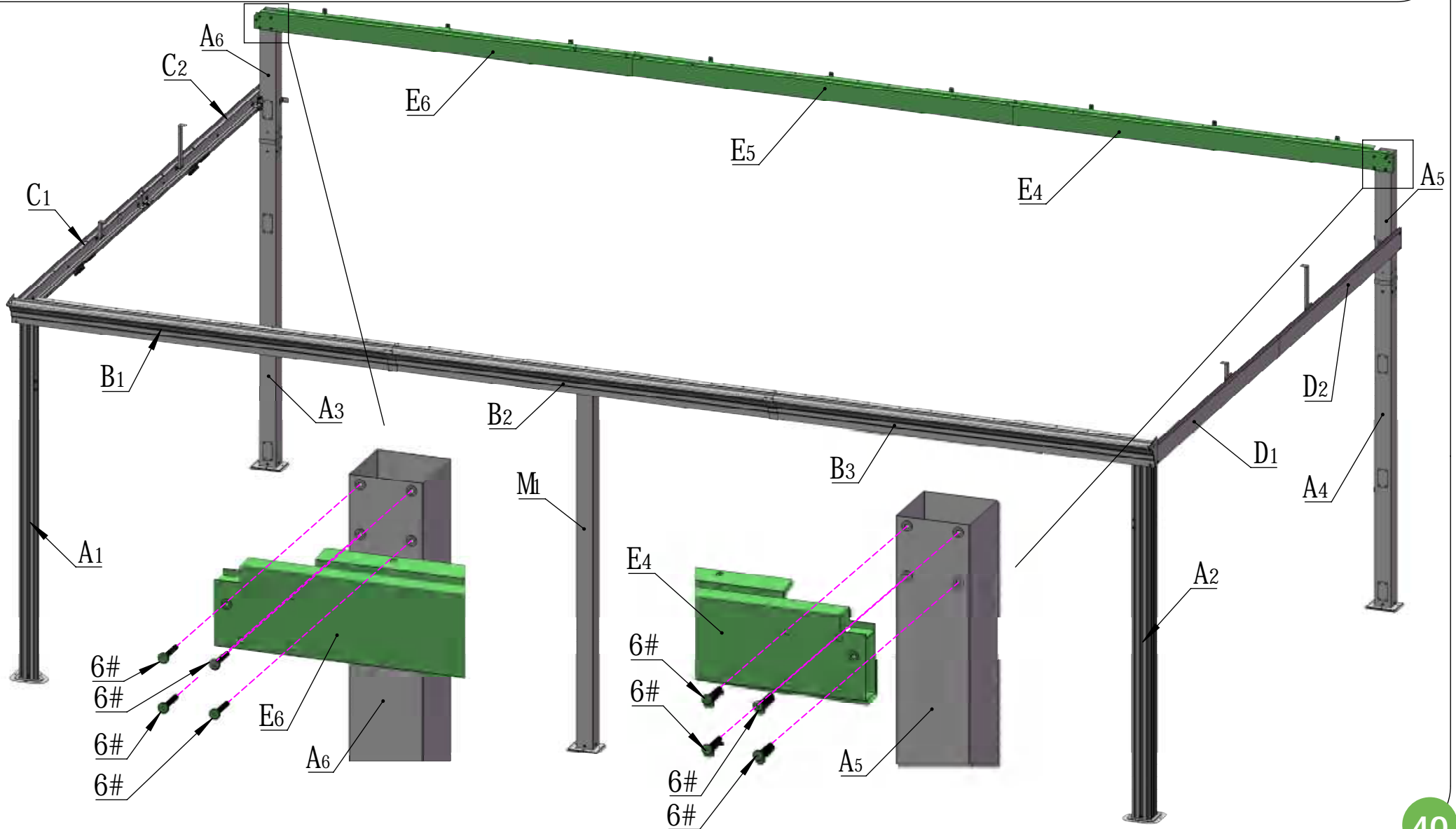
8X



S4

23#

1X





N1 2X



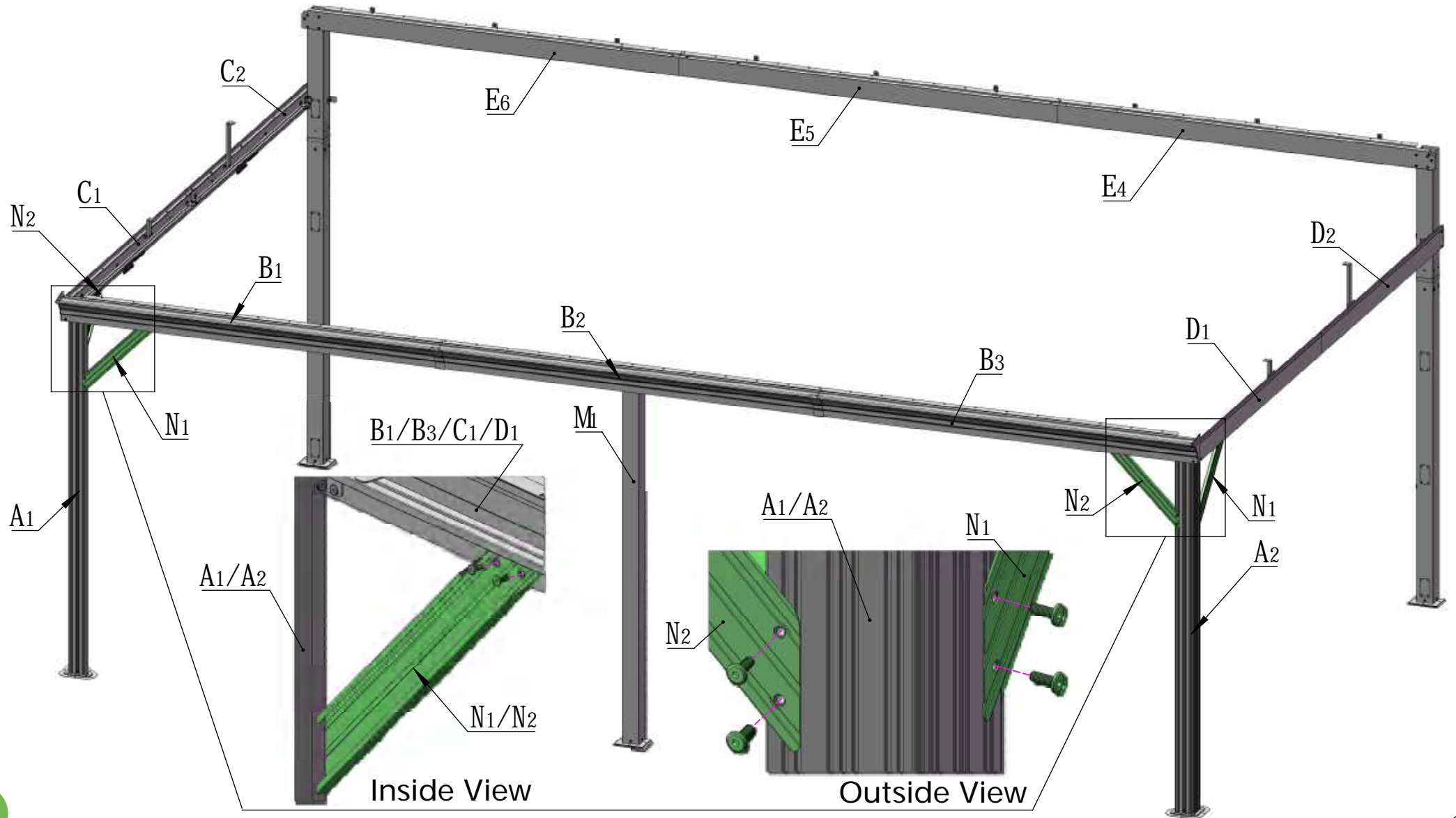
N2 2X



4# M6*16 16X

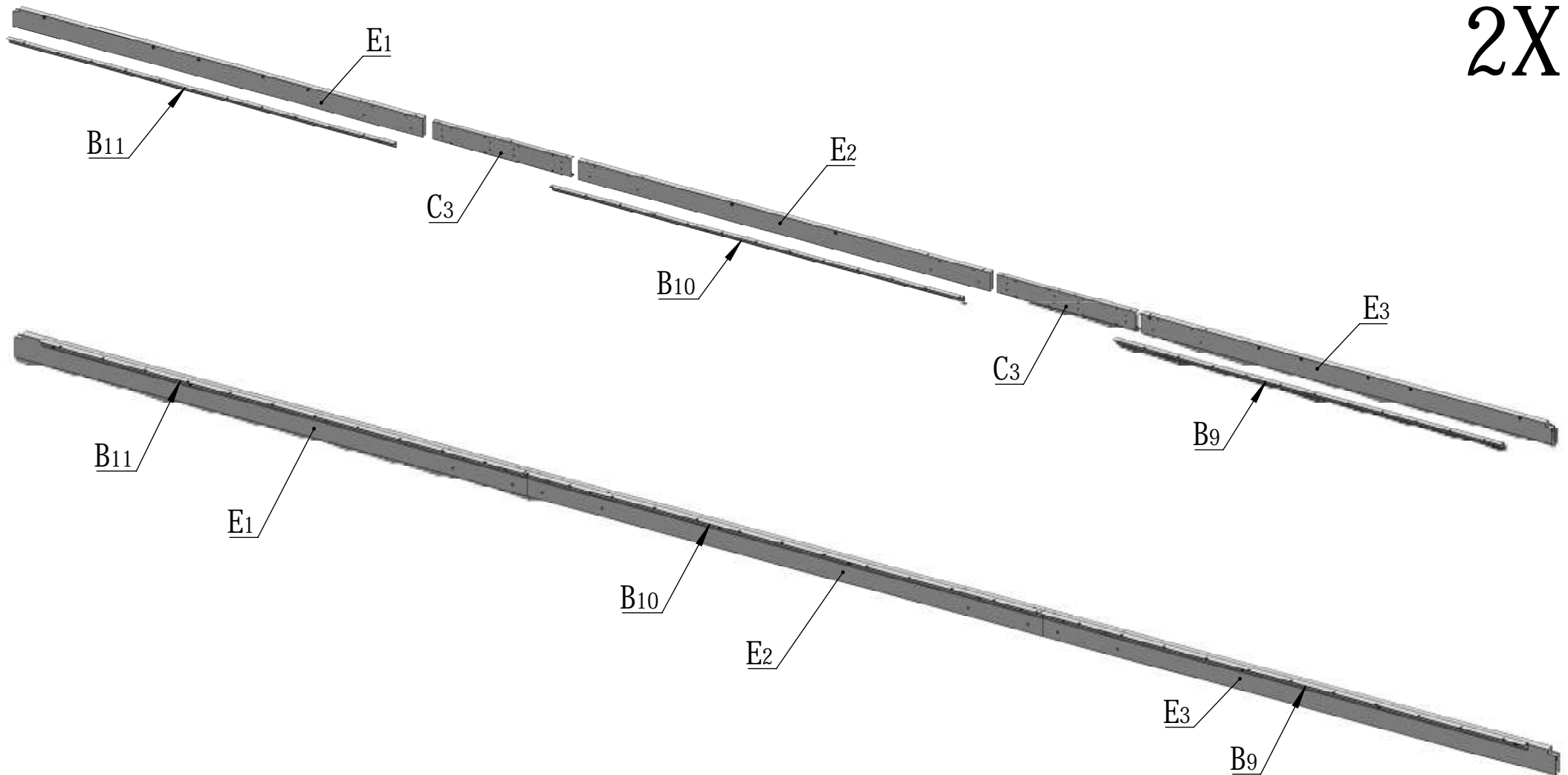


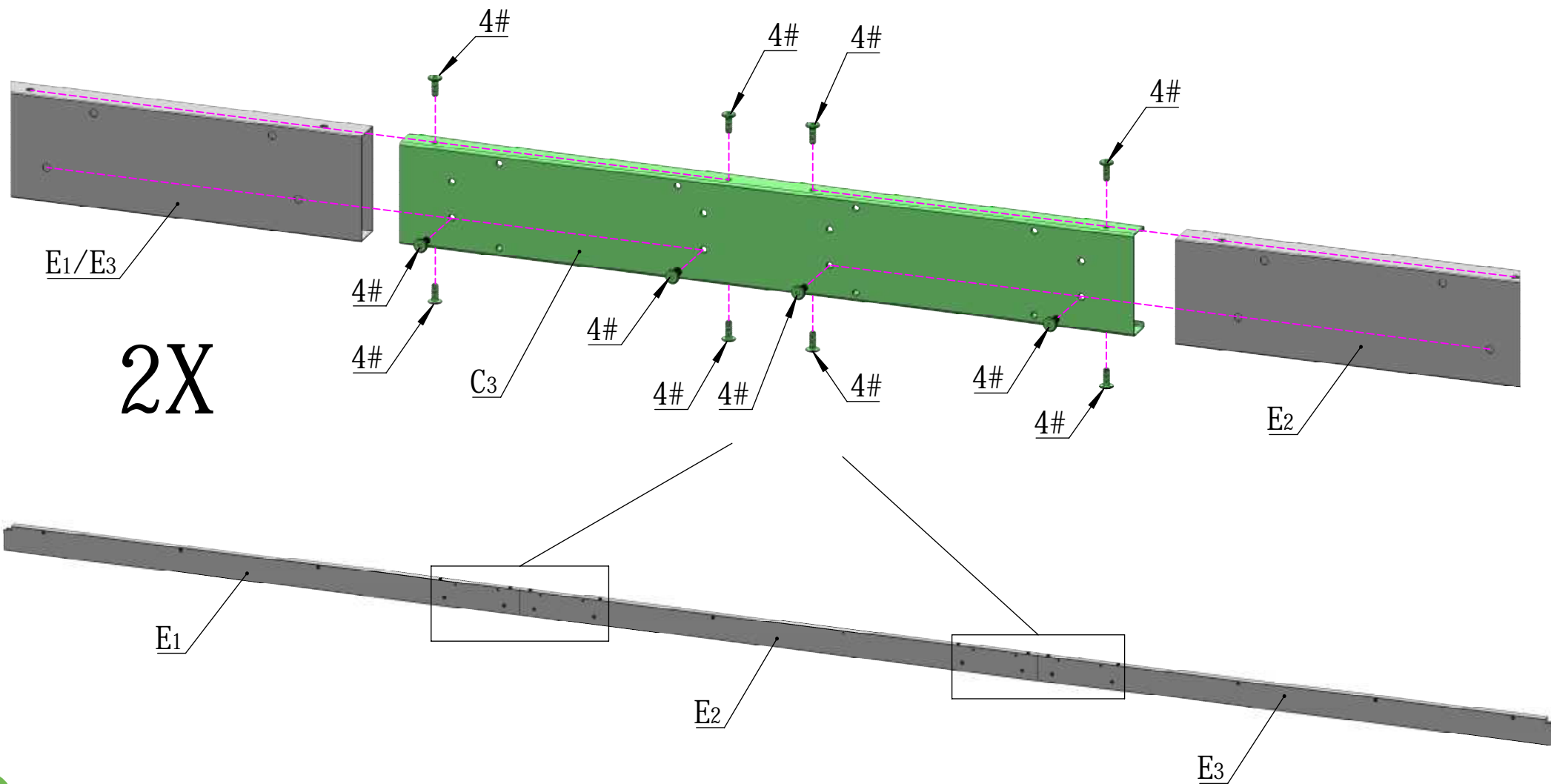
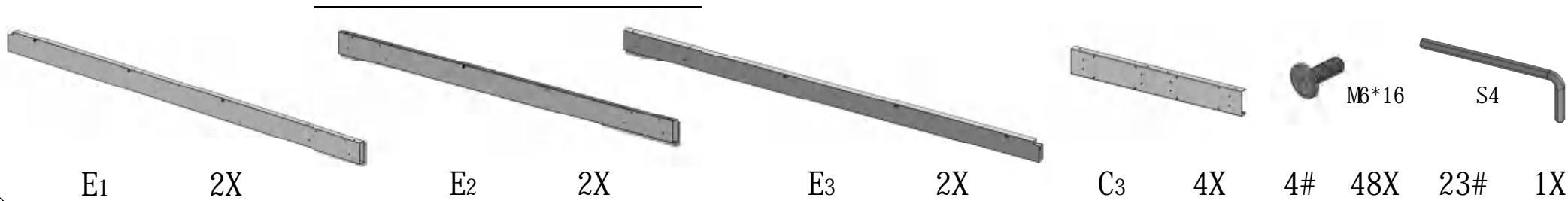
23# S4 1X

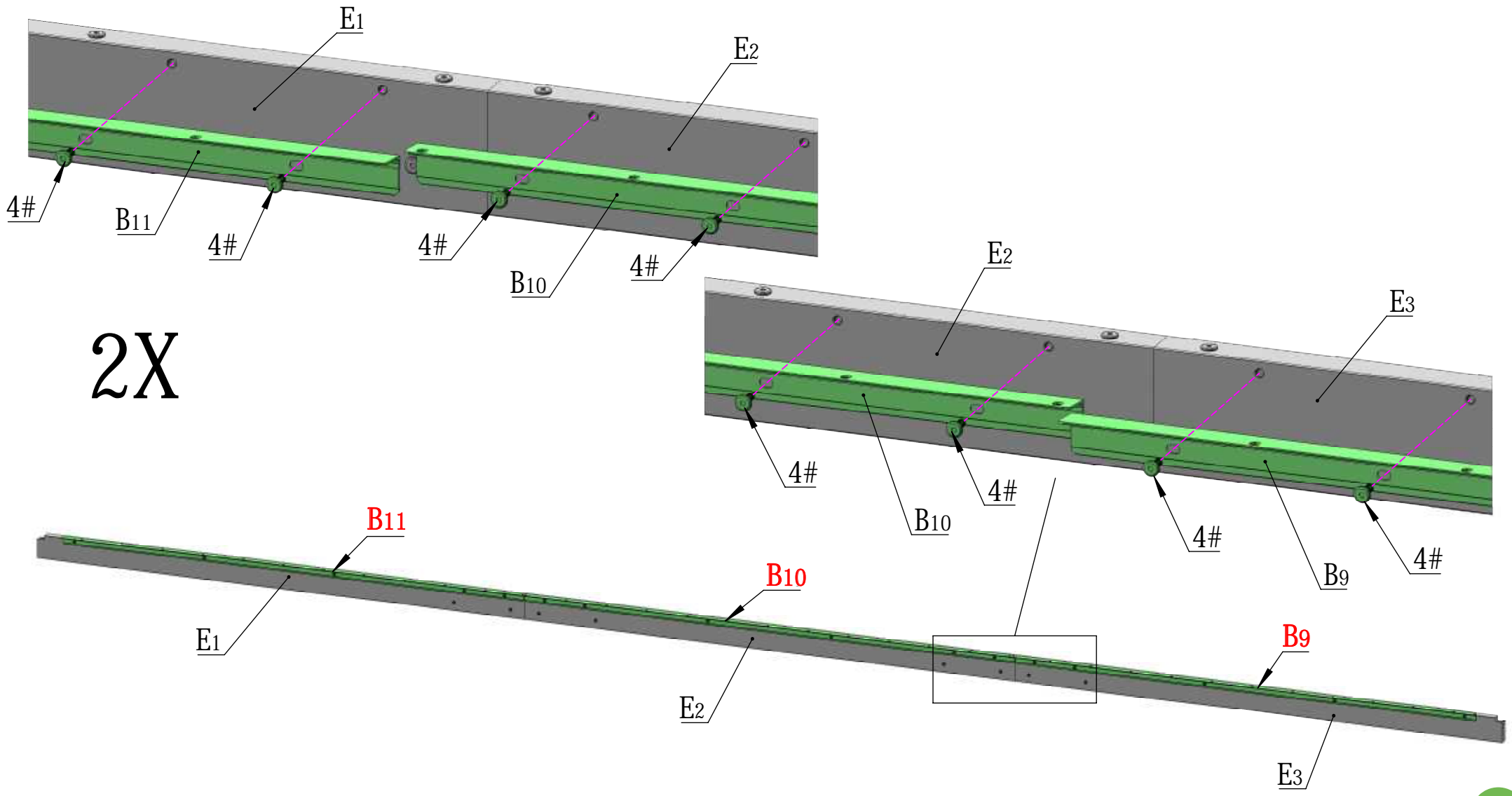
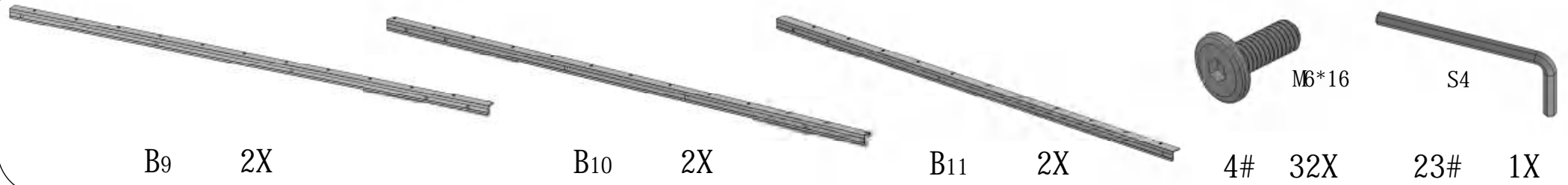


Two Middle Beam Assembly

2X

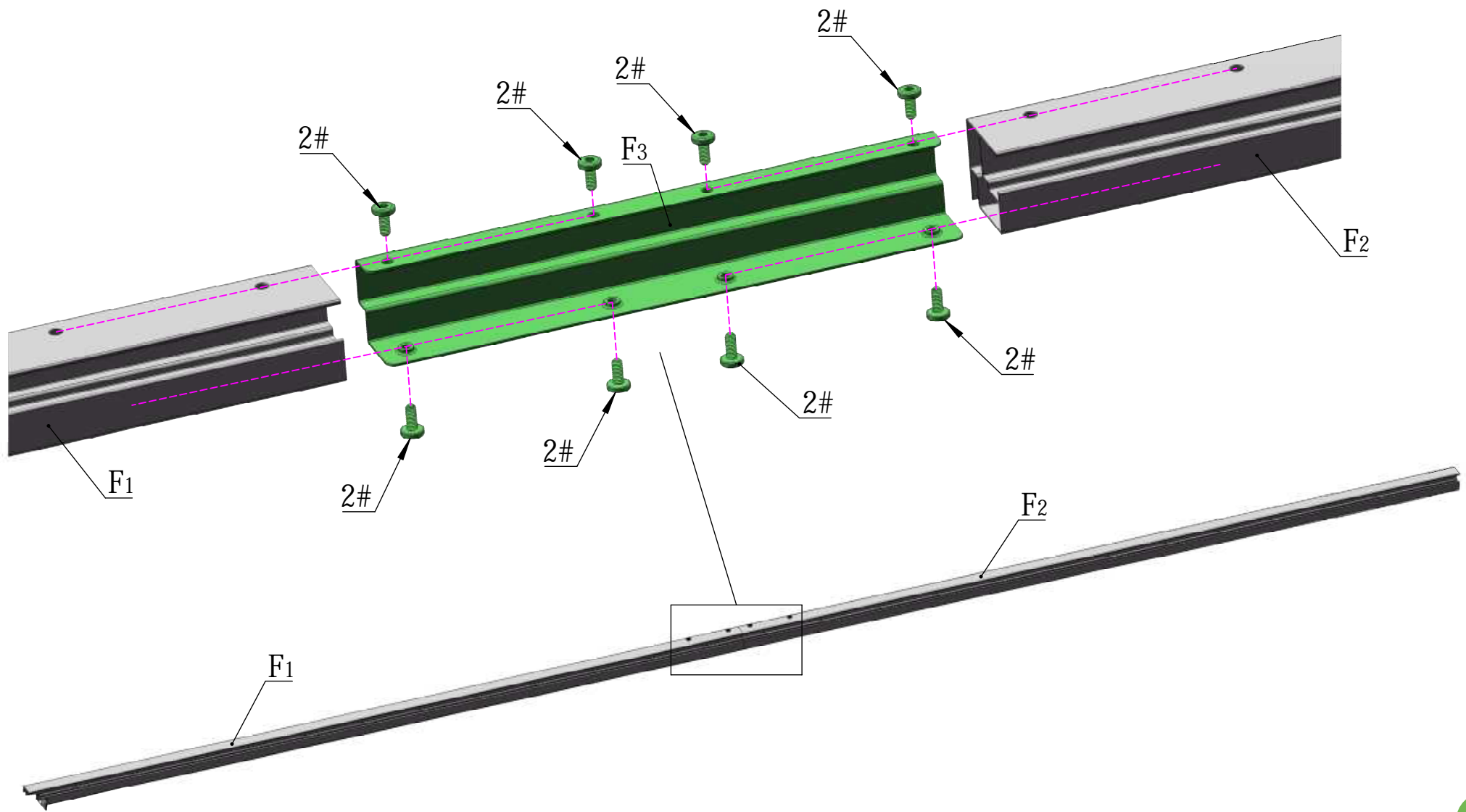








F1 1X F2 1X F3 1X 2# 8X S4 1X





F5 1X



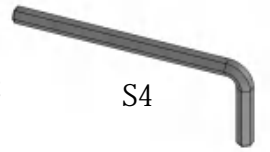
F4 1X



F3 1X

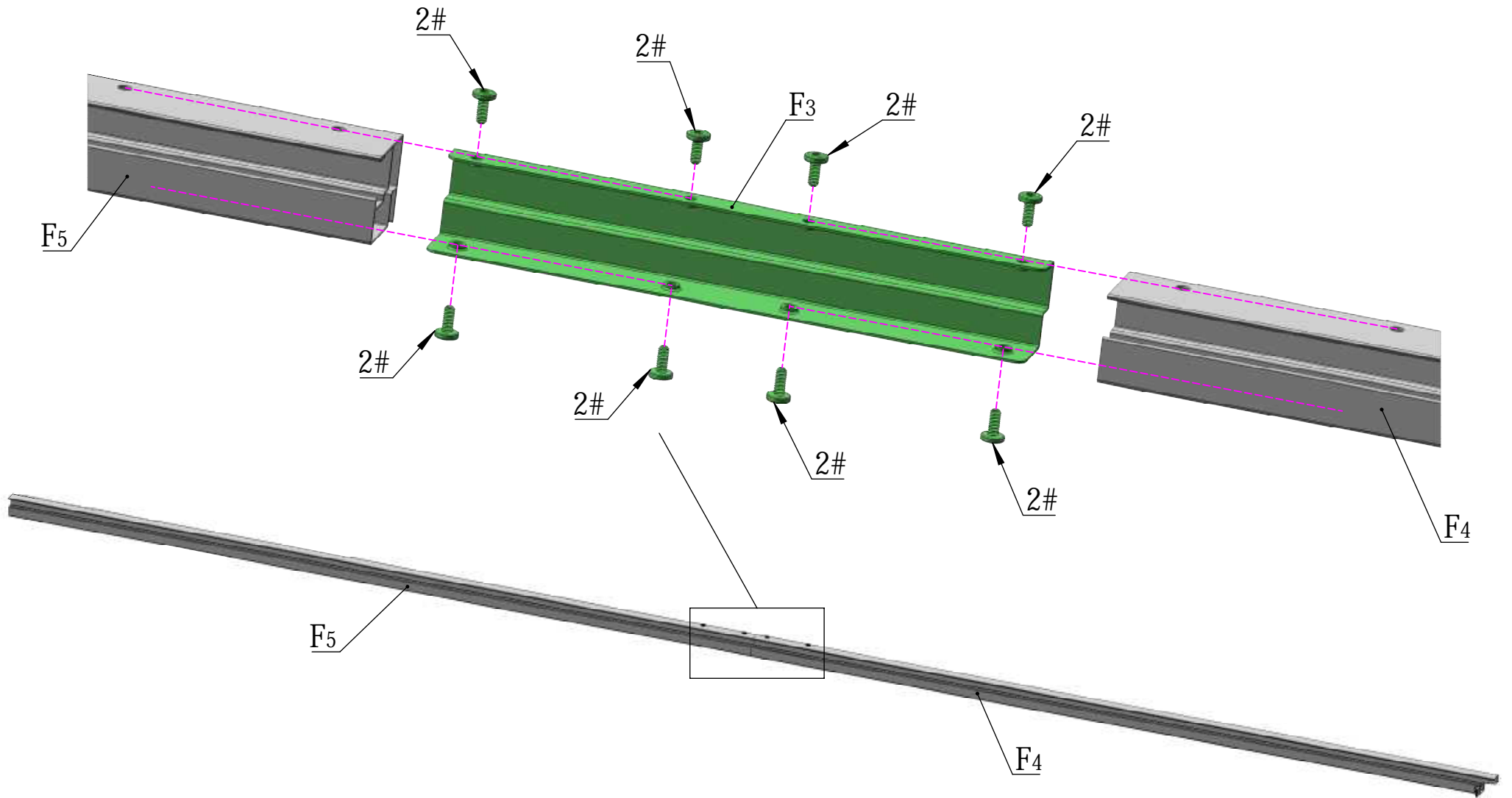


M5*12



S4

2# 8X 23# 1X



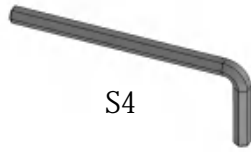


I 2 6X



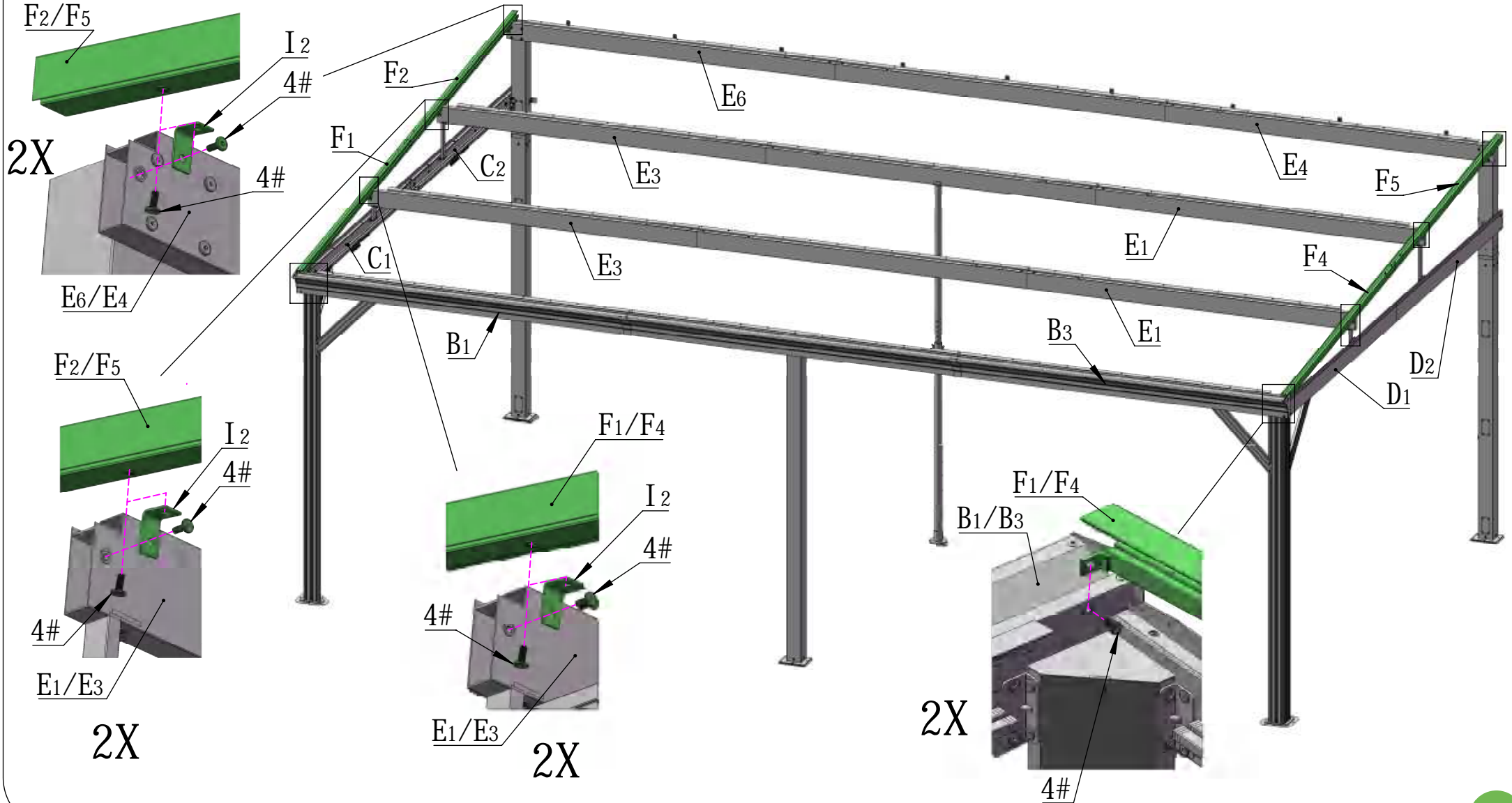
M6*16

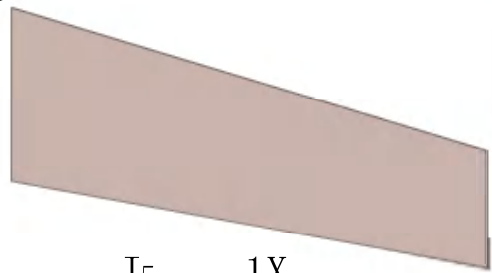
4# 14X



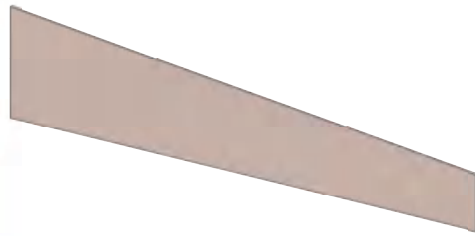
S4

23# 1X

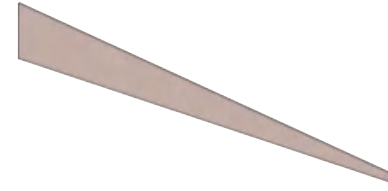




J5 1X



J7 1X



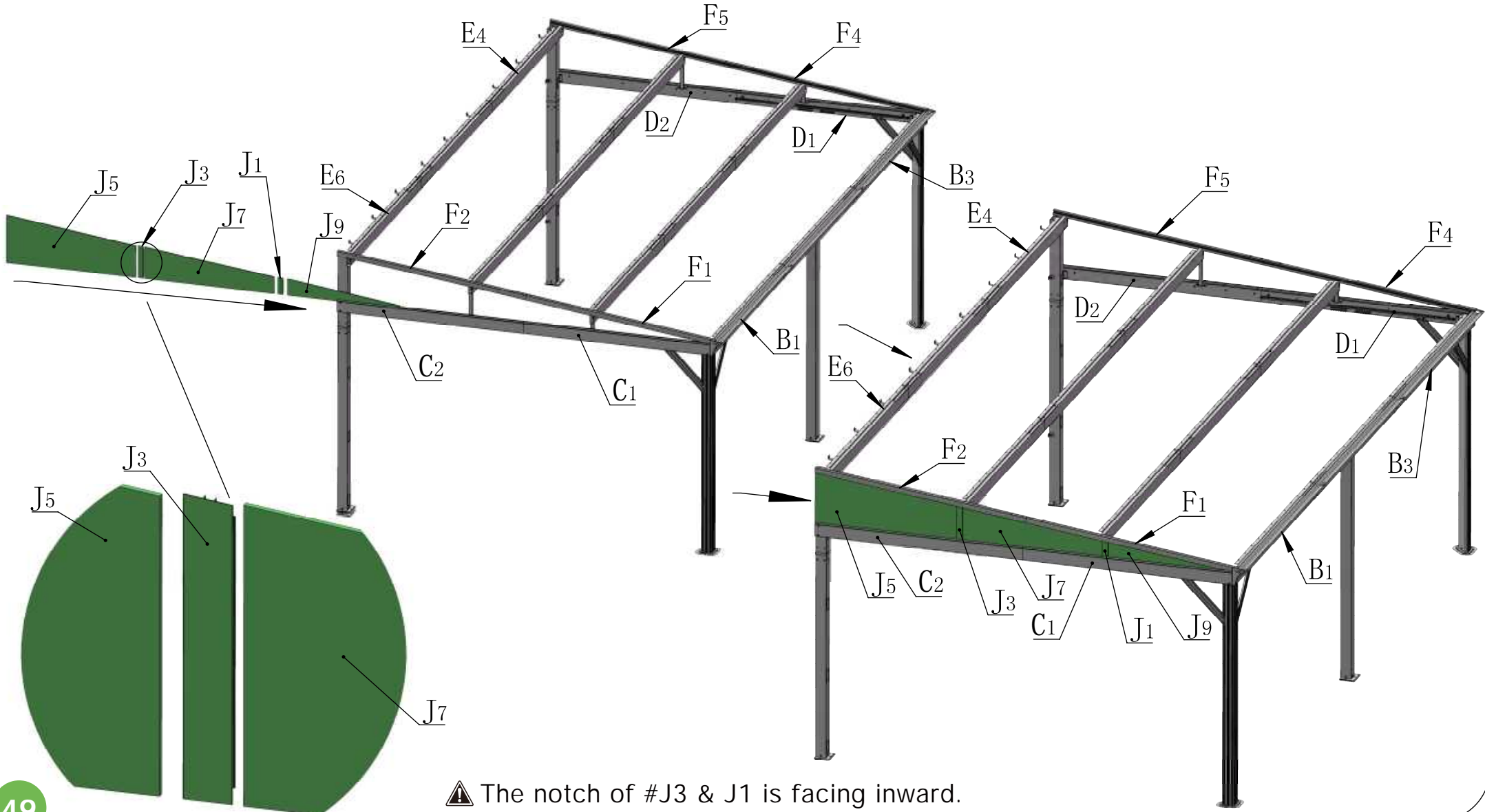
J9 1X



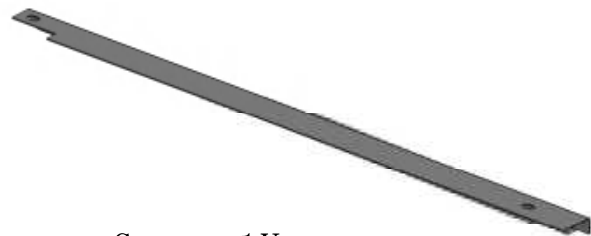
J3 1X



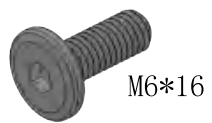
J1 1X



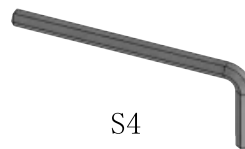
⚠ The notch of #J3 & J1 is facing inward.



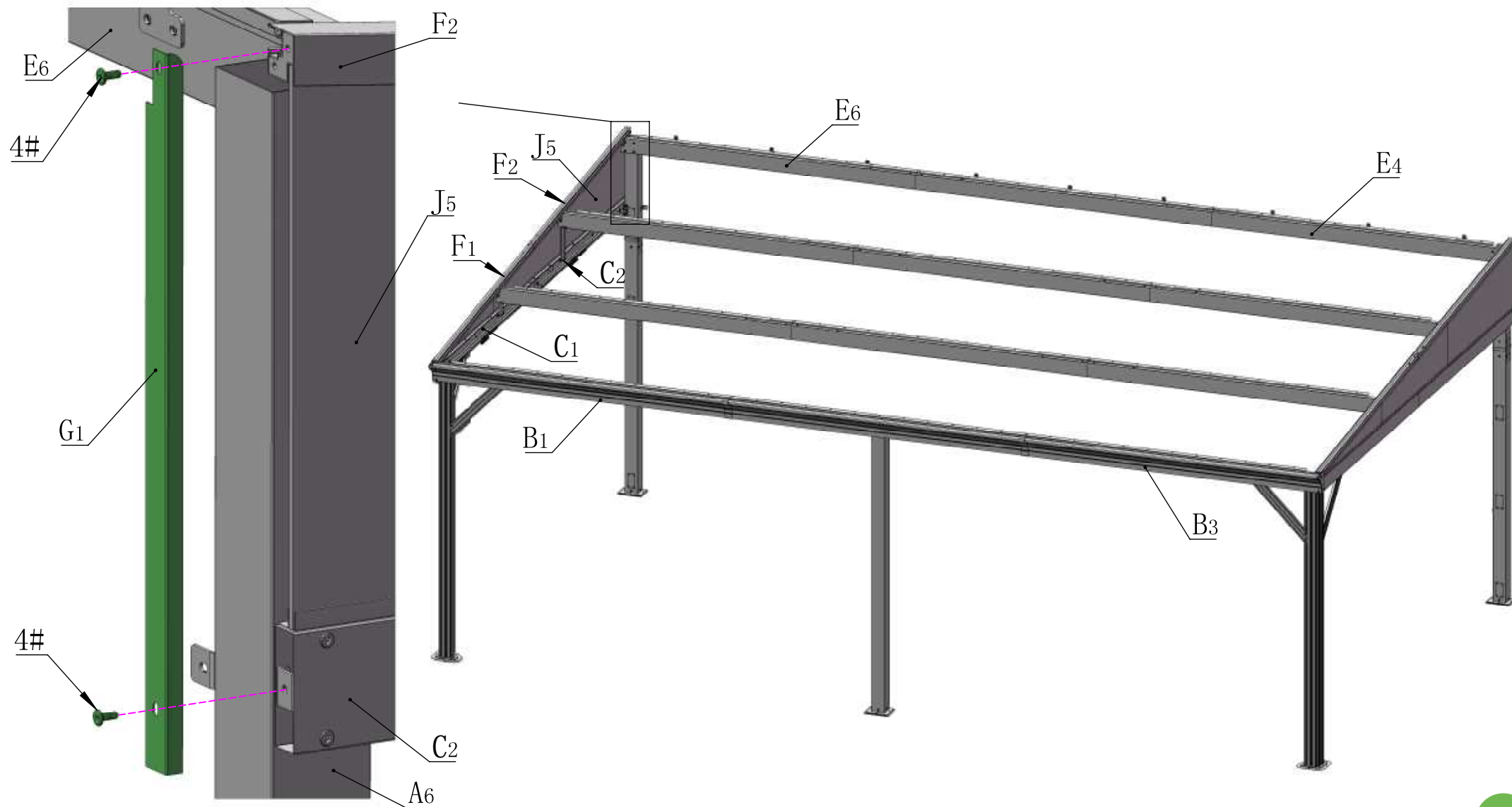
G1 1X

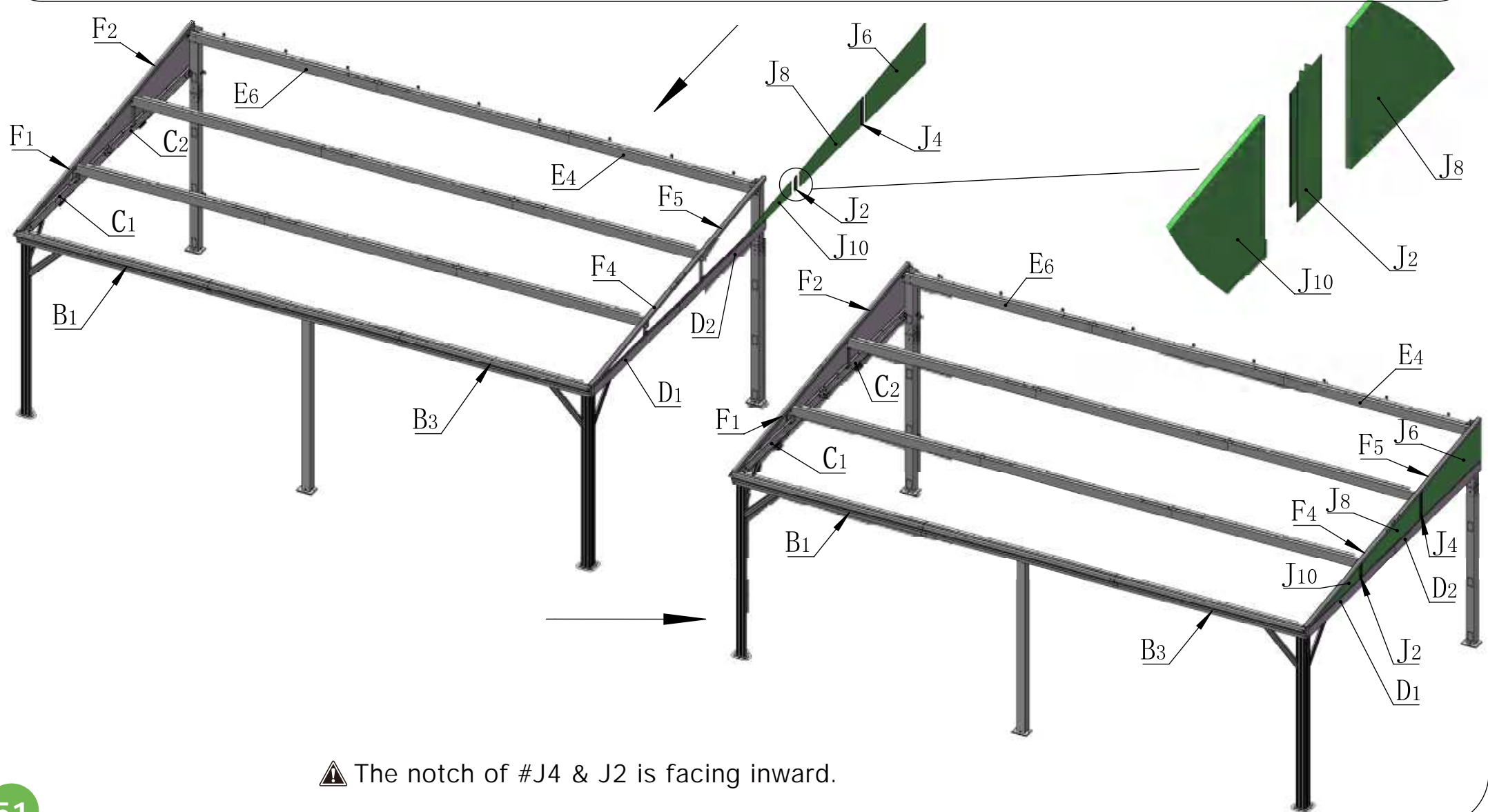
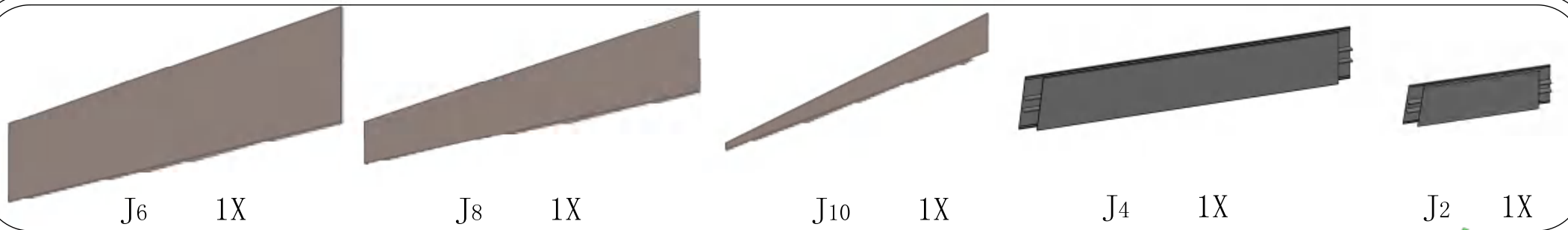


M6*16
4# 2X

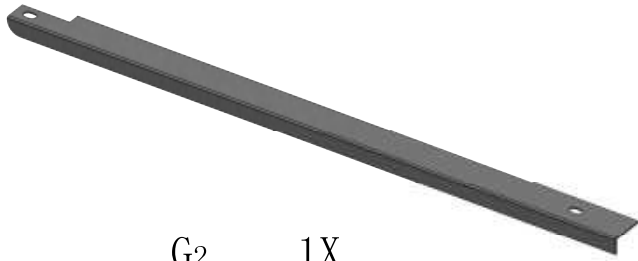


S4
23# 1X





⚠ The notch of #J4 & J2 is facing inward.



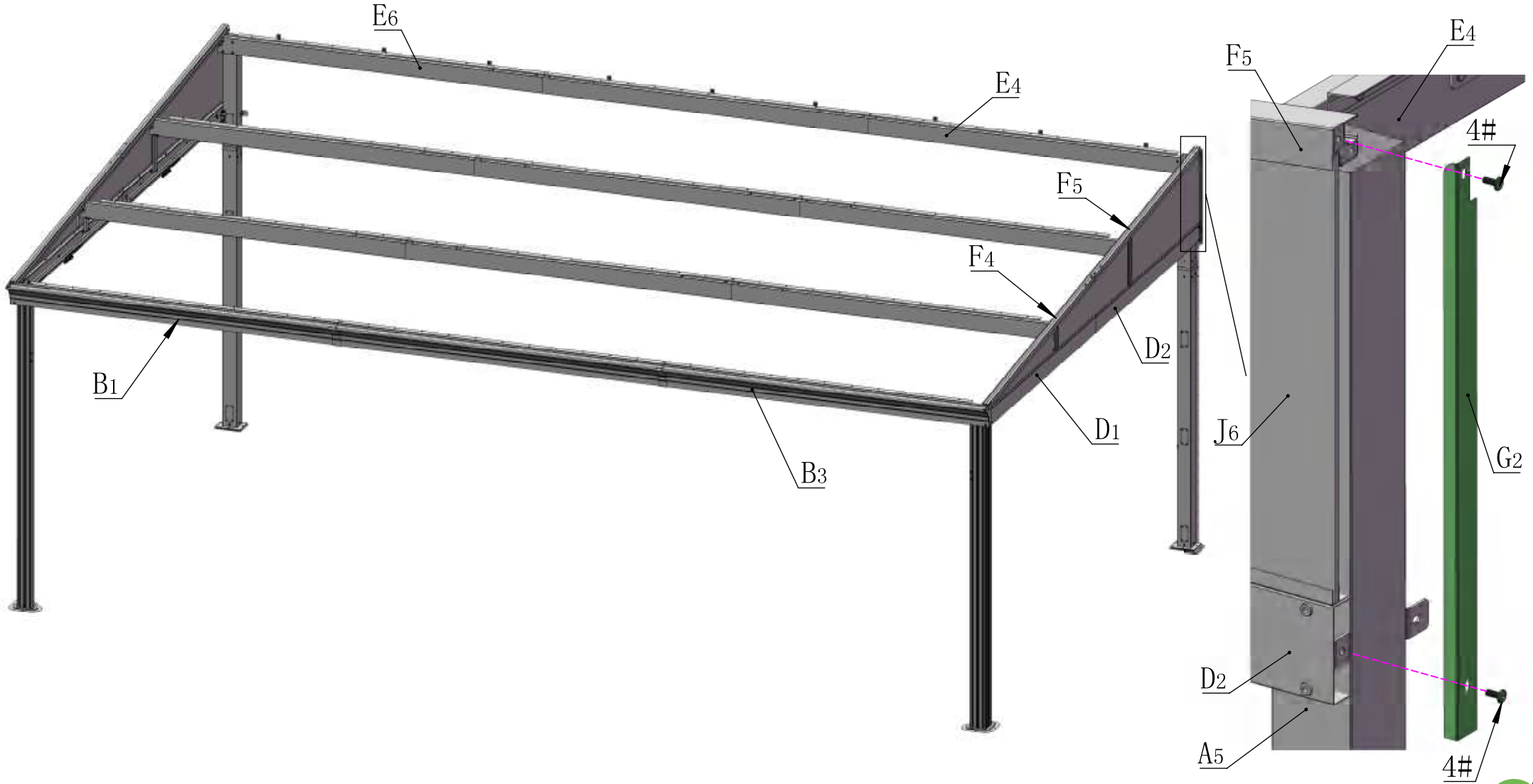
G2 1X



4# 2X M6*16



23# 1X S4



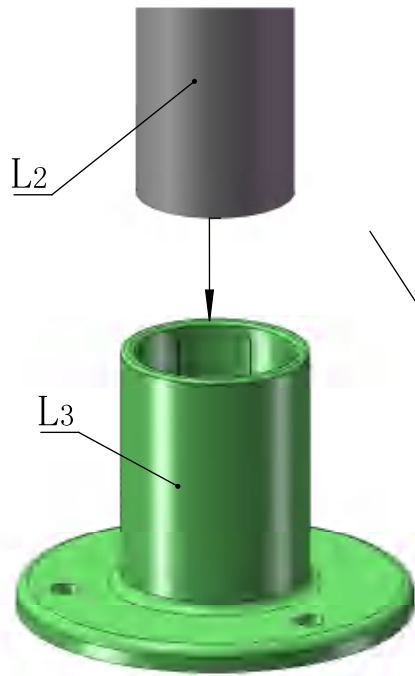


L2 2X

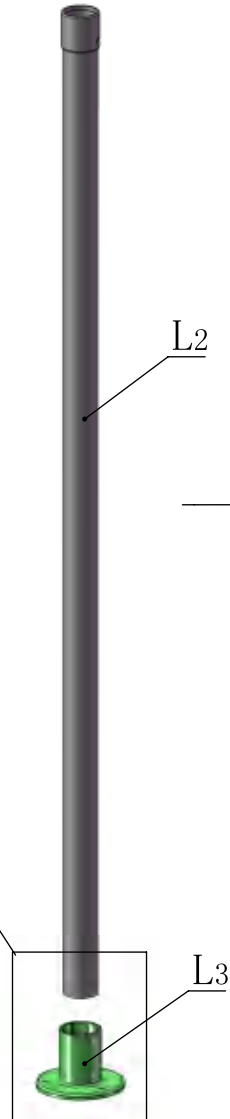


L3 2X

Support Tube Assembly



2X





L1

2X



M8*60

12#

2X



M8

13#

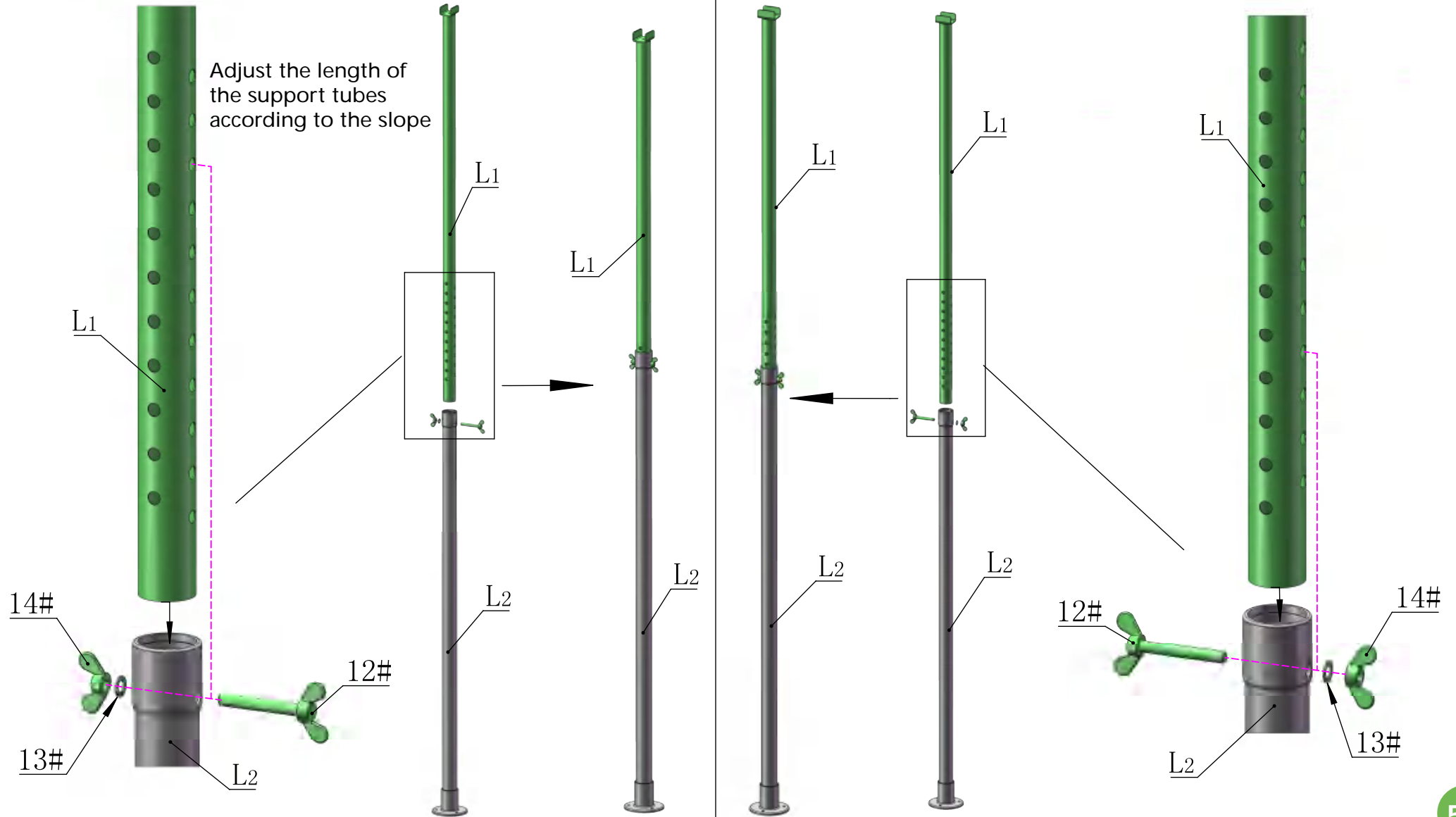
2X



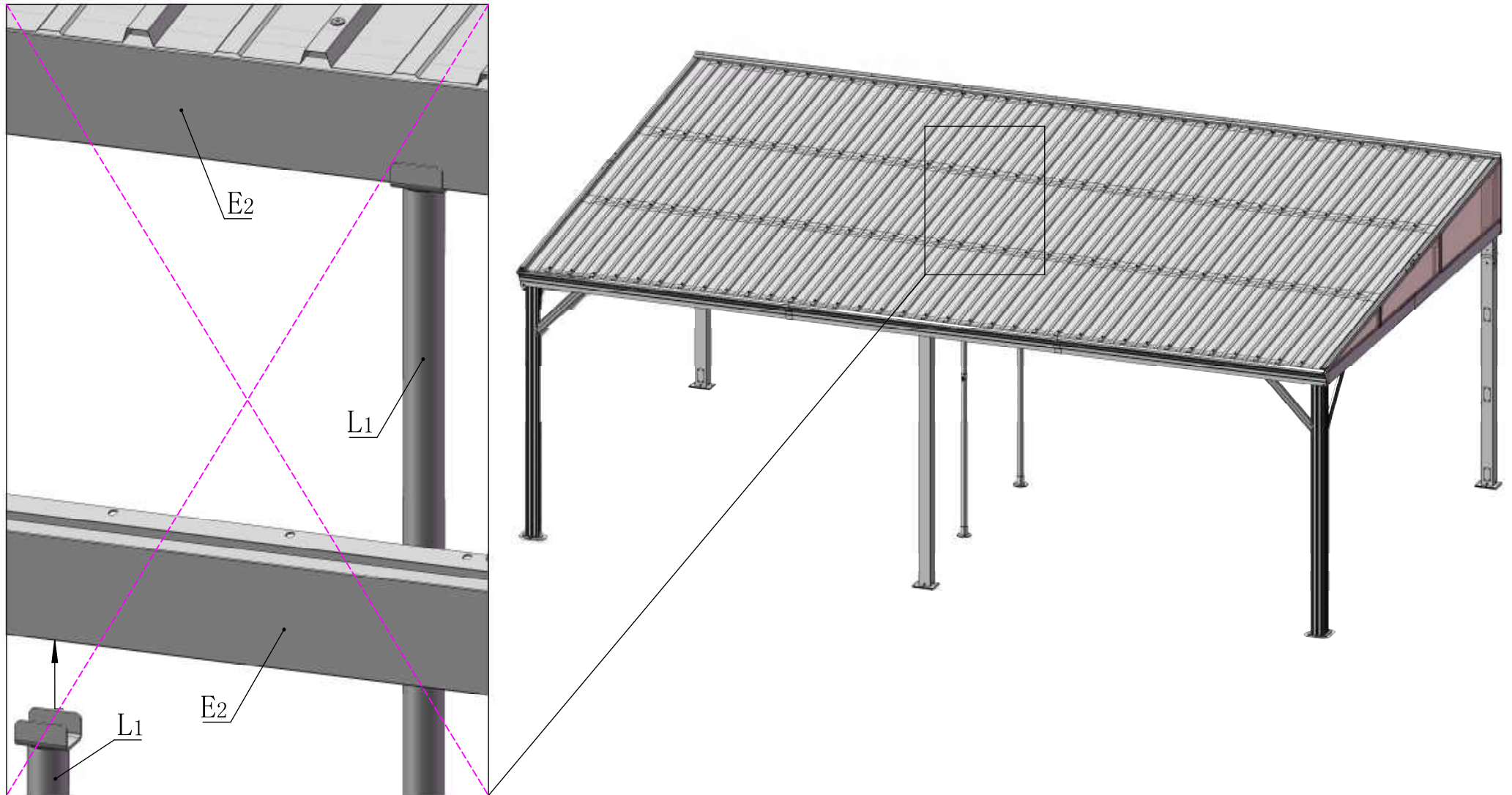
M8

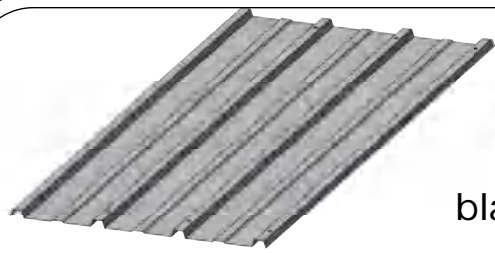
14#

2X

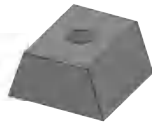


The two support tubes are necessary to ensure the sunroom's security, and please don't remove them. We recommend using self-tapping screws or expansion bolts to anchor the support tubes to the ground.



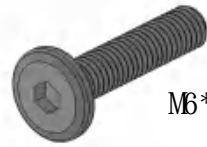


K1 1X



black rubber

K3 2X

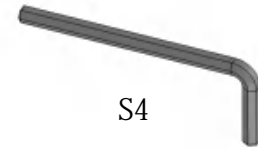


M6*28

5# 2X



11# 2X



S4

23# 1X

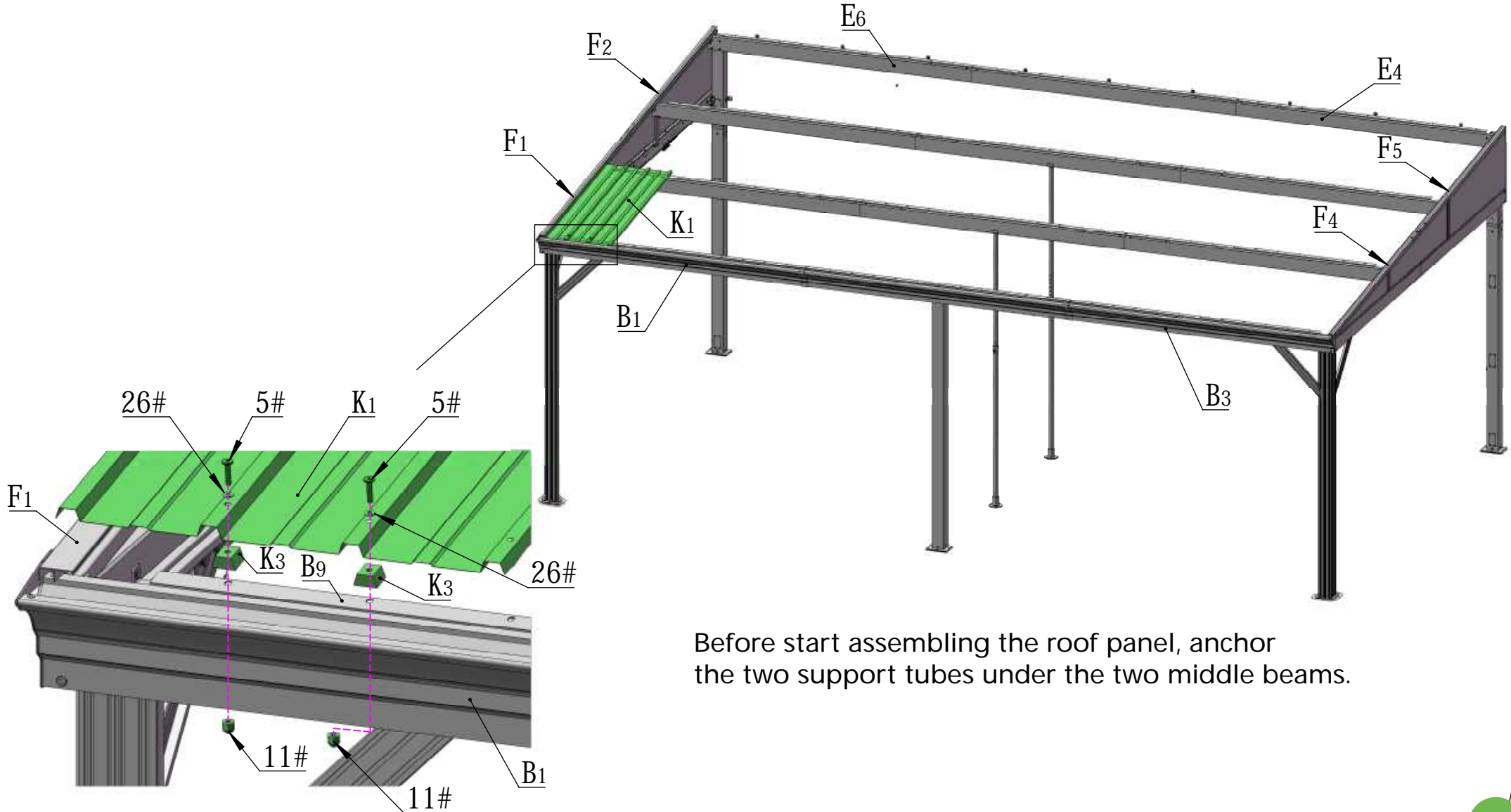


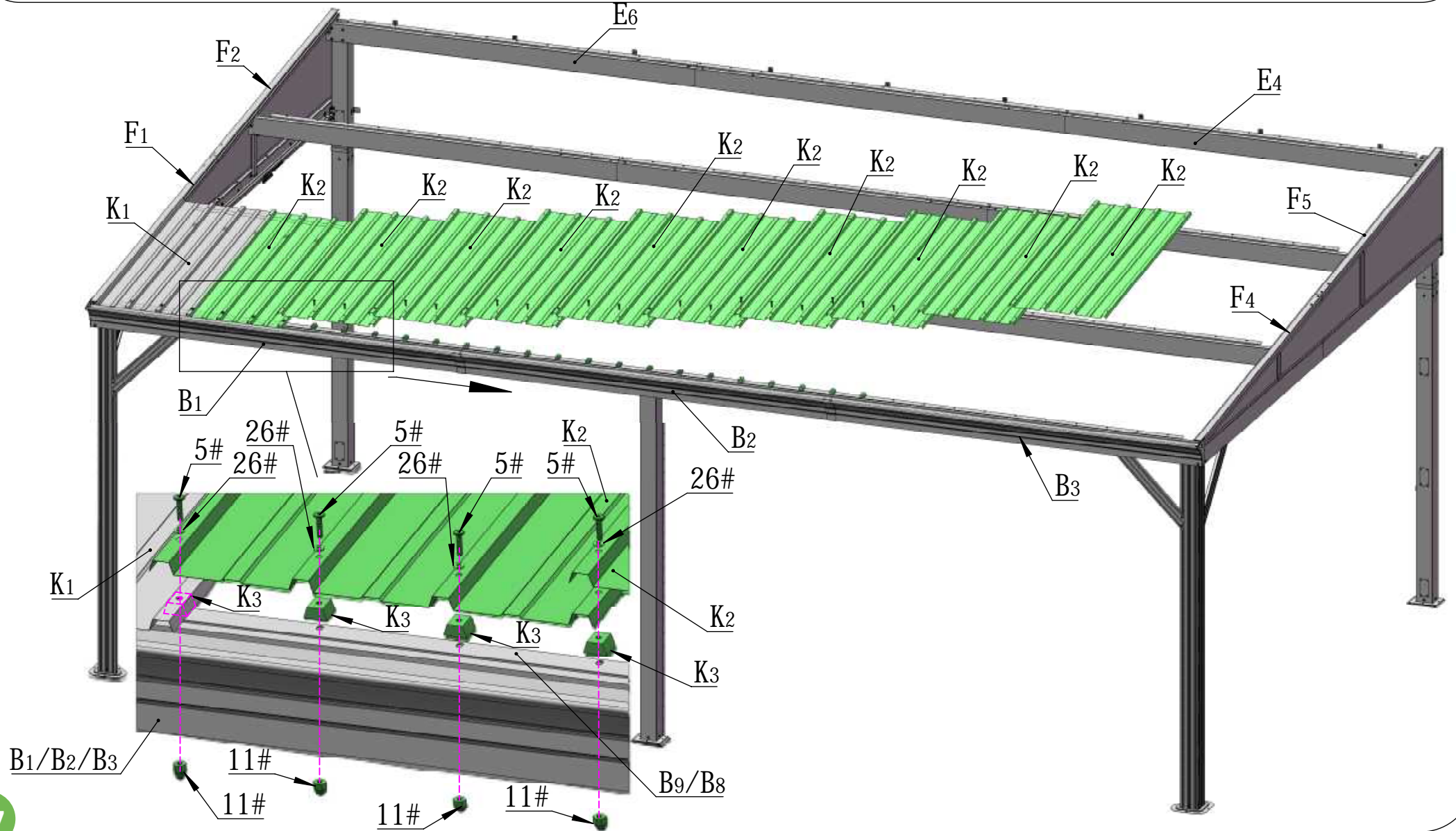
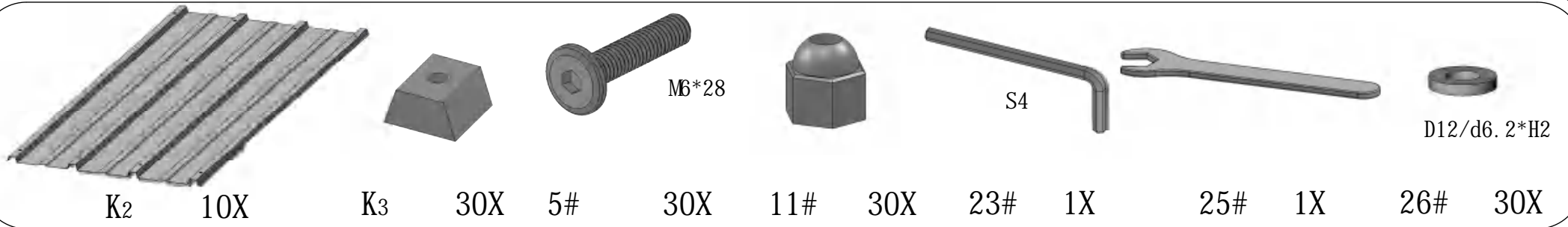
25# 1X

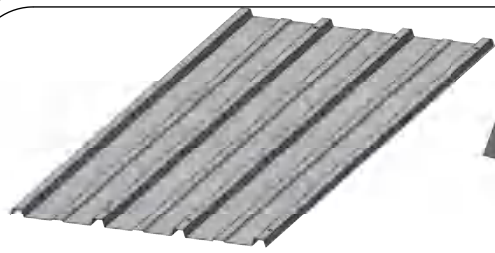


D12/d6. 2*H2
rubber gasket

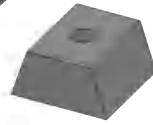
26# 2X







K1 1X



K3 3X



M6*28

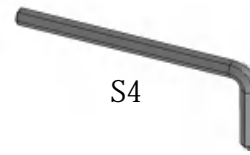
5#



3X

11#

3X



S4

23#

1X



25#

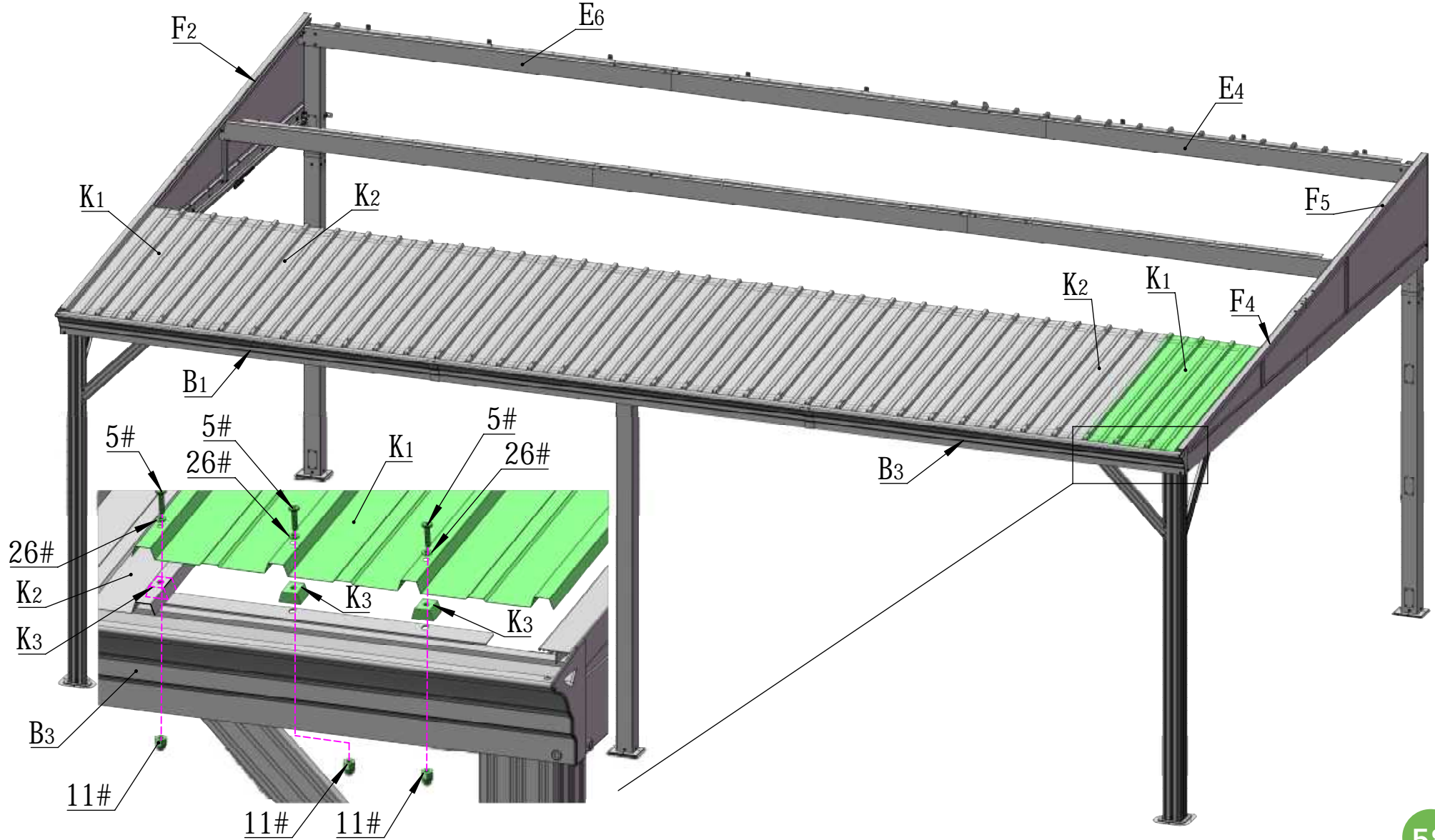
1X

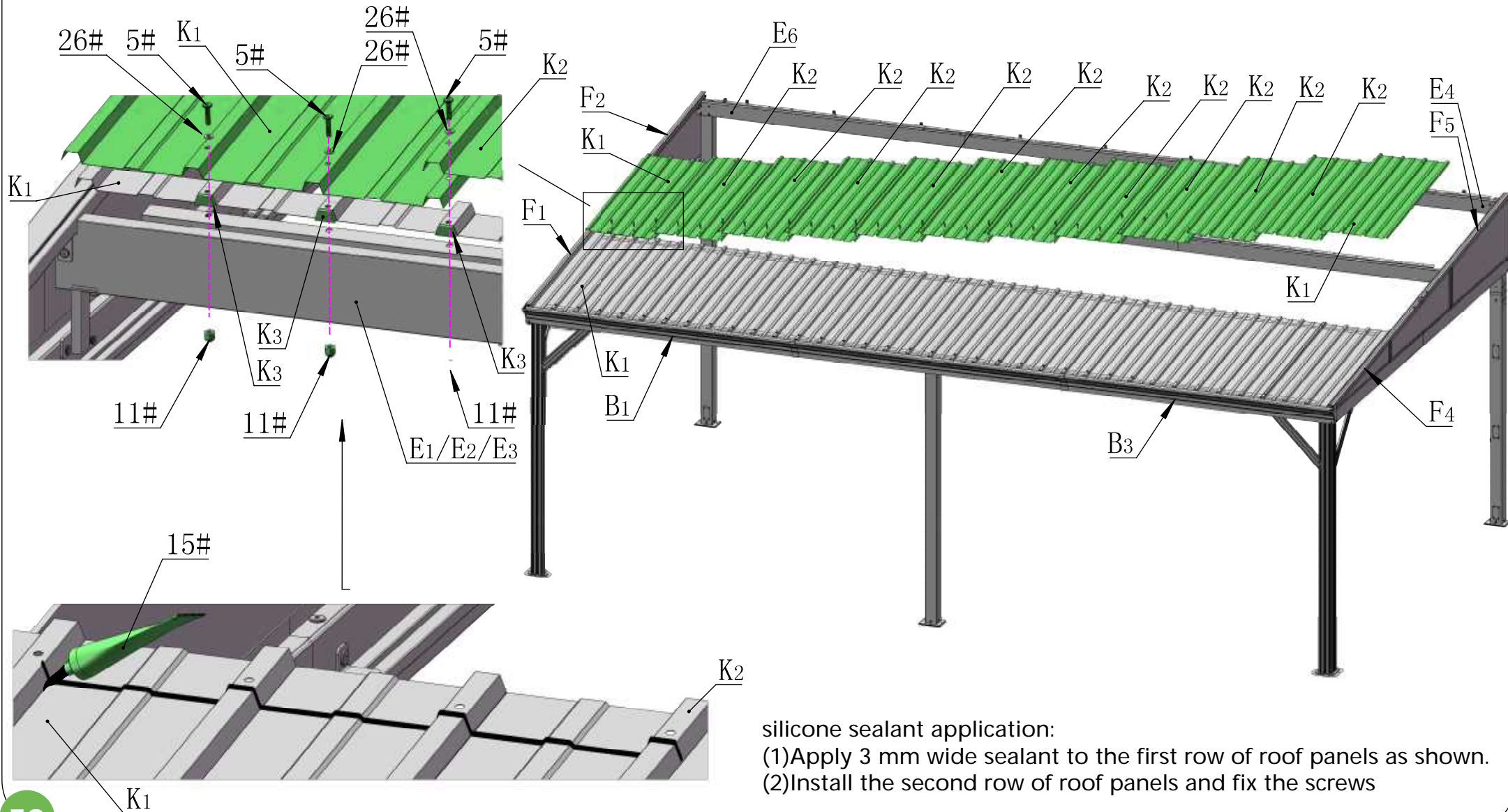
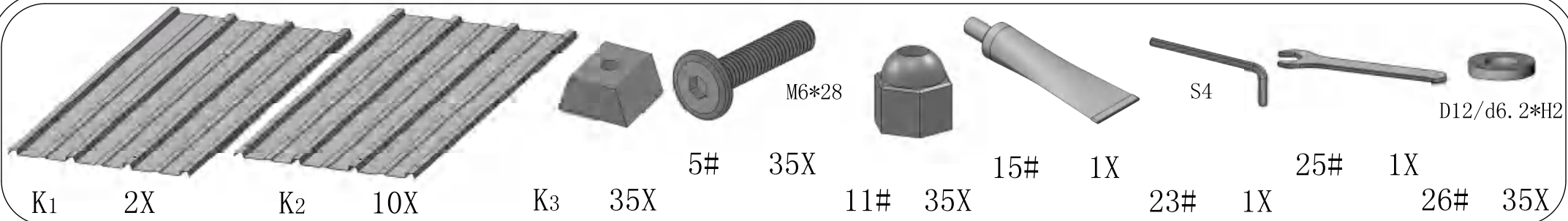


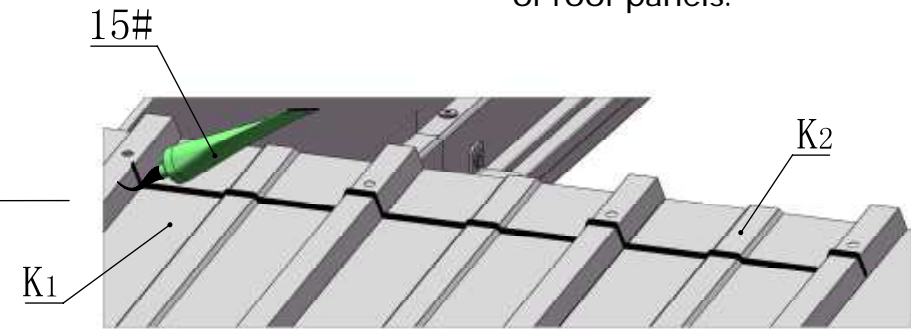
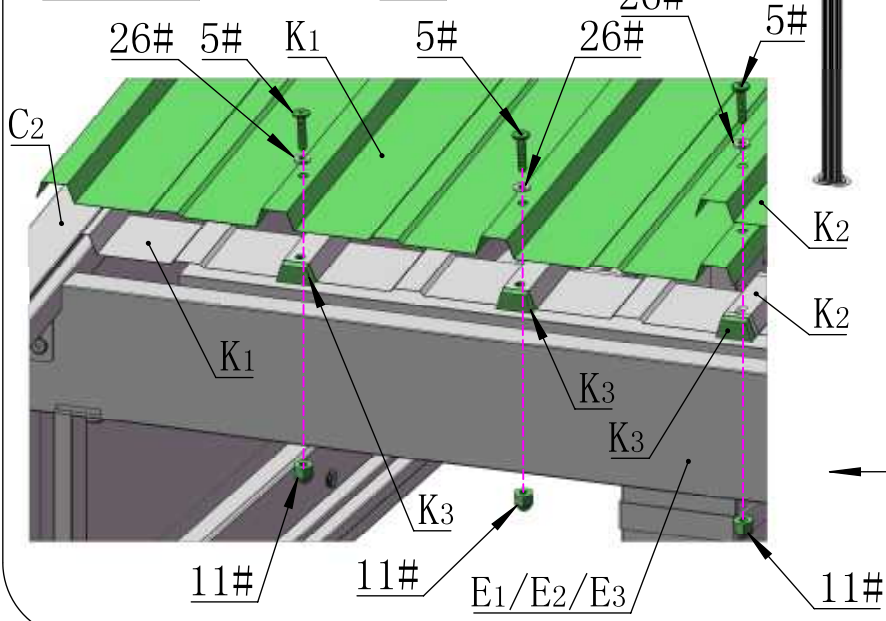
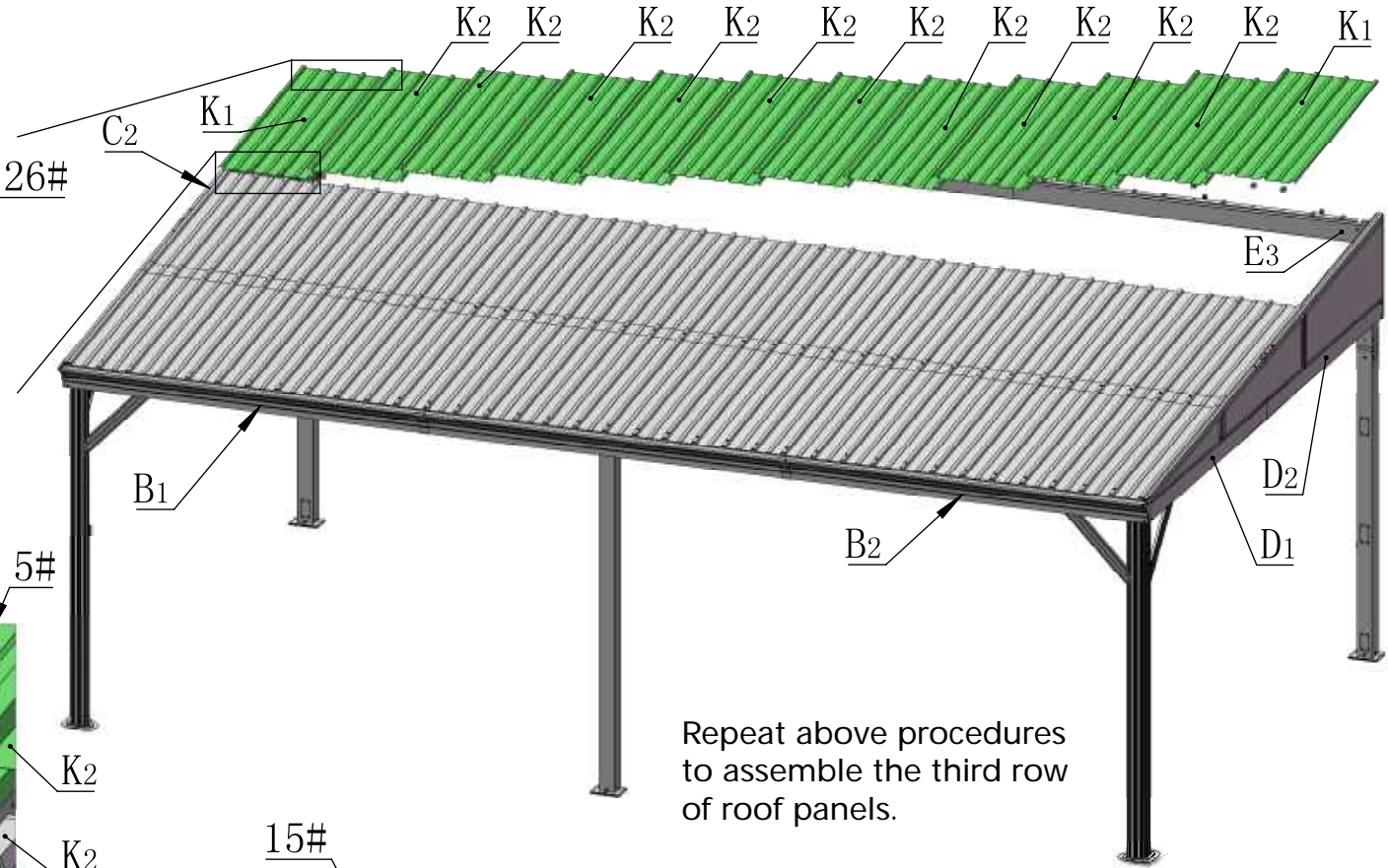
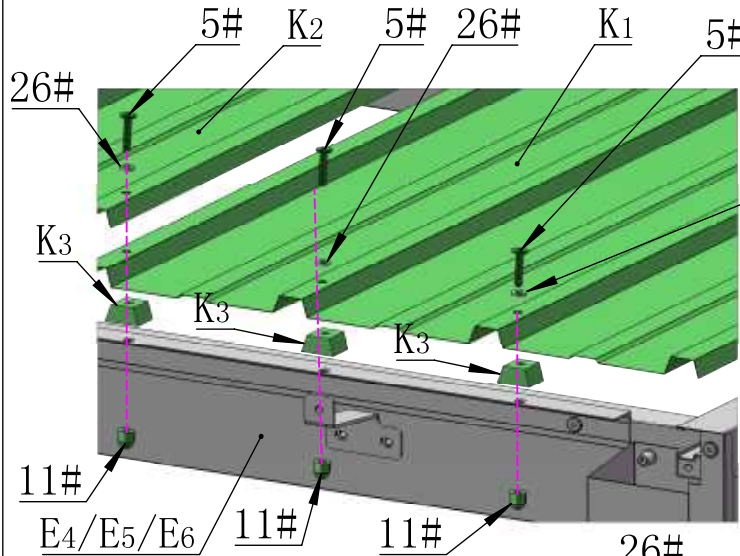
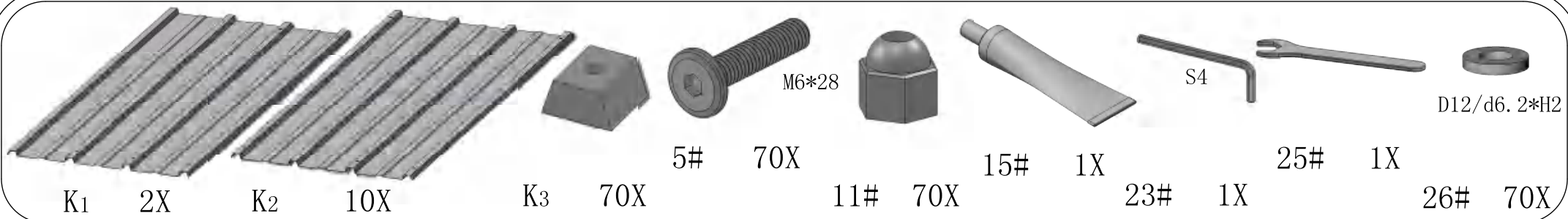
D12/d6. 2*H2

26#

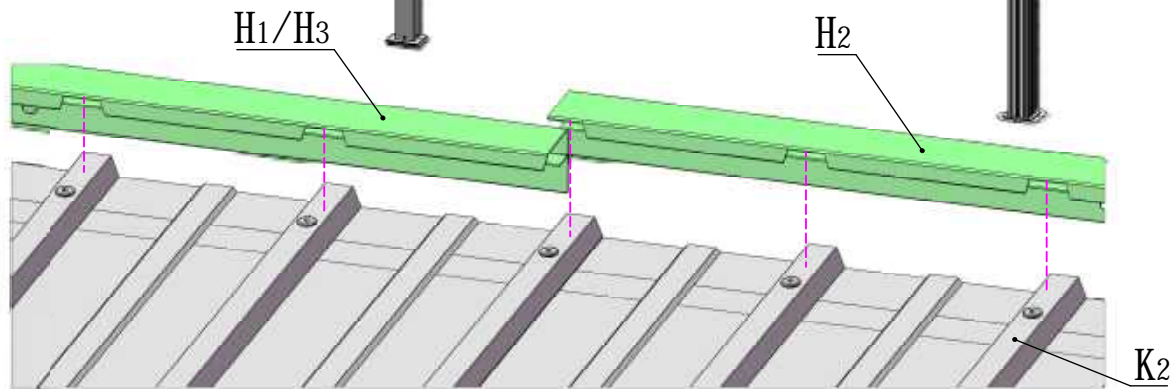
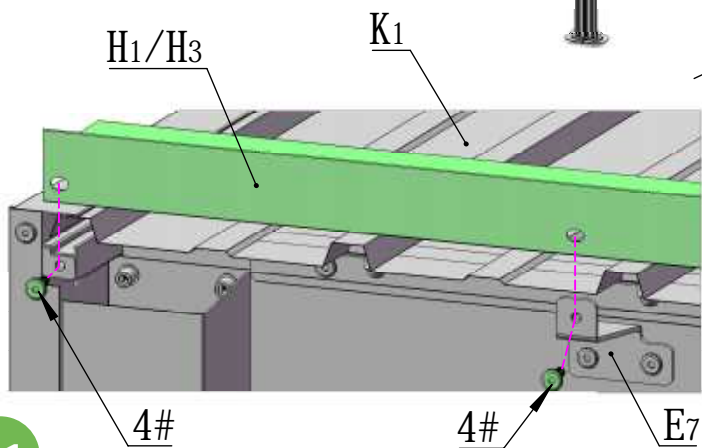
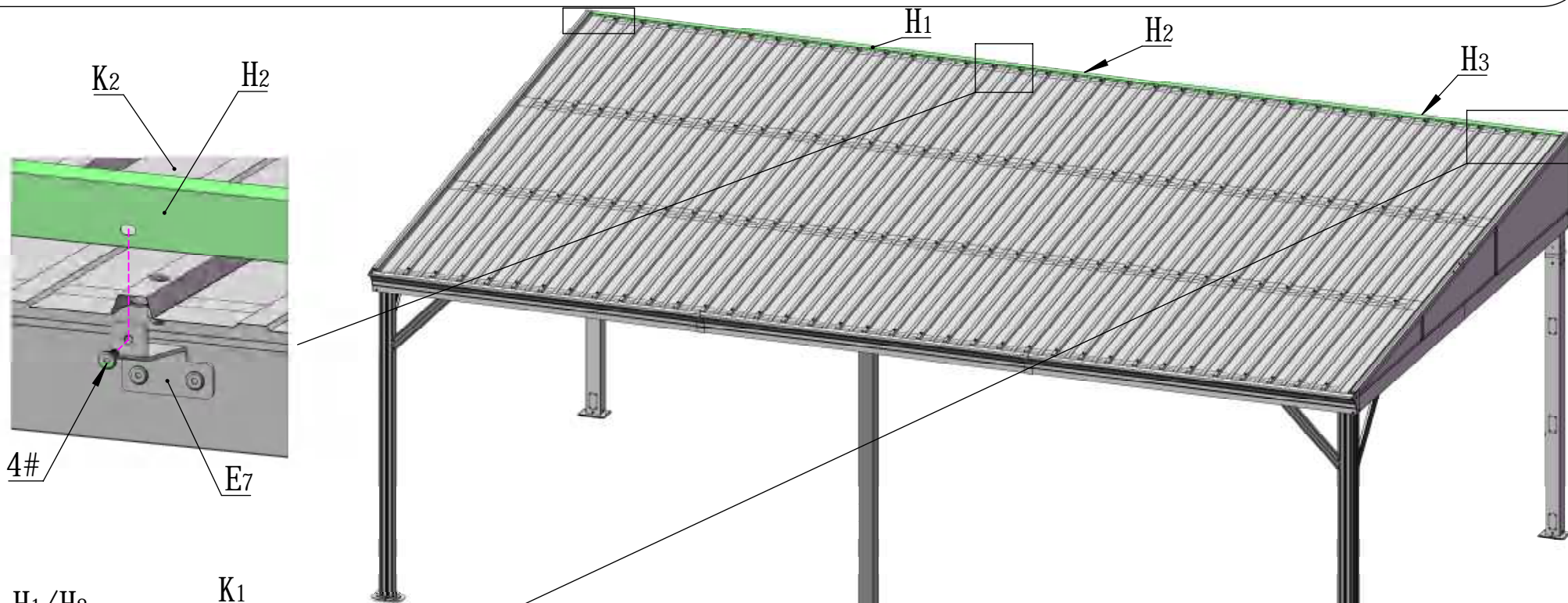
3X







Repeat above procedures to assemble the third row of roof panels.





H4 3X



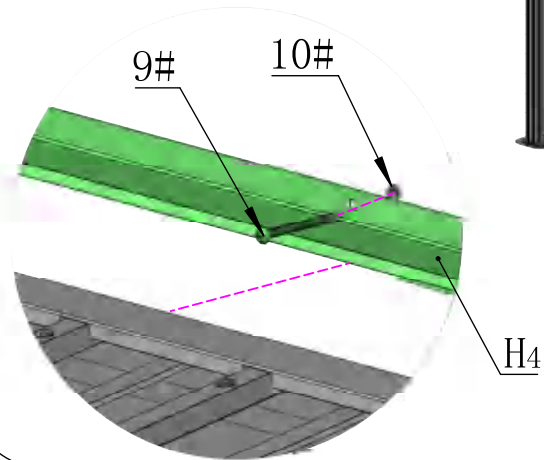
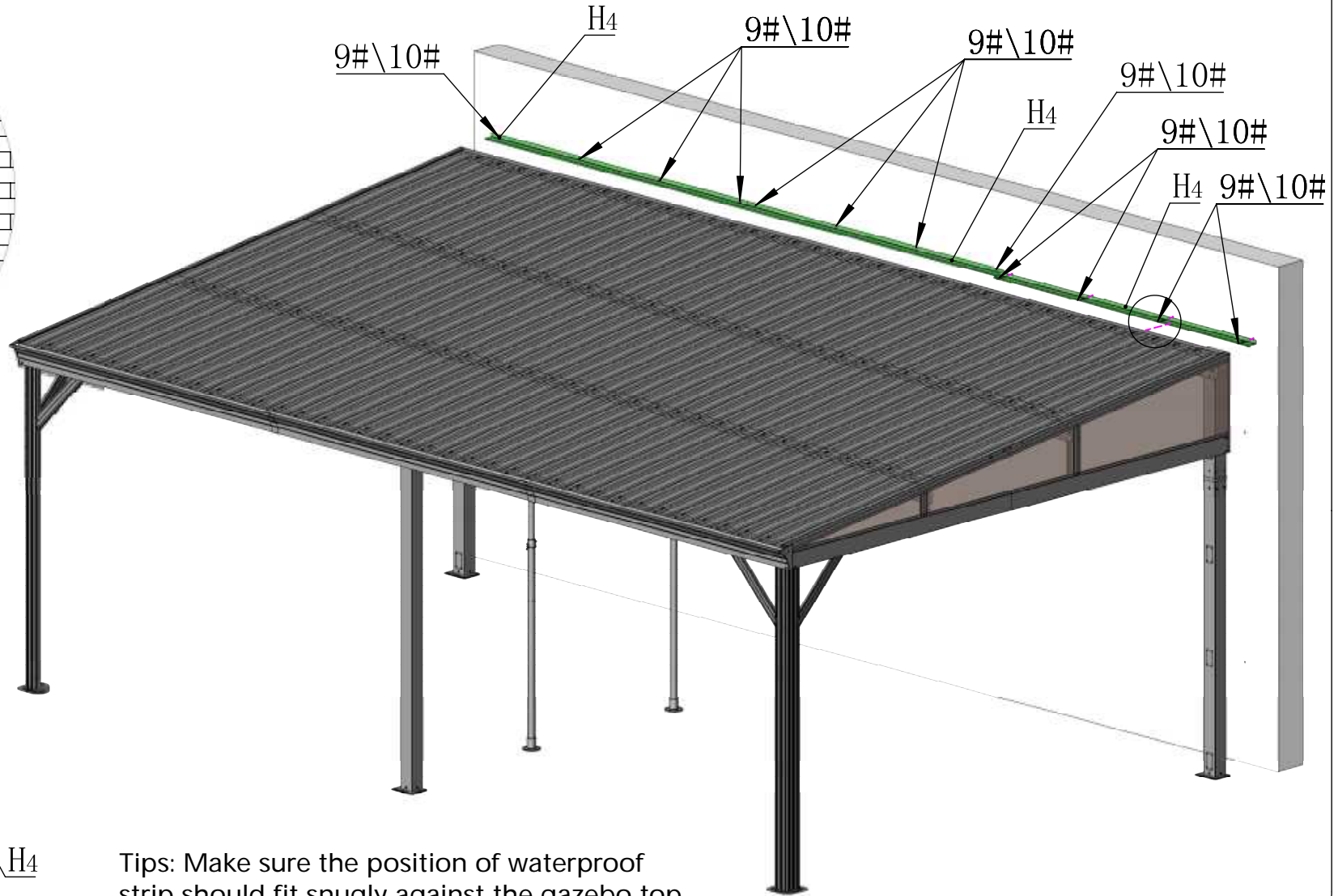
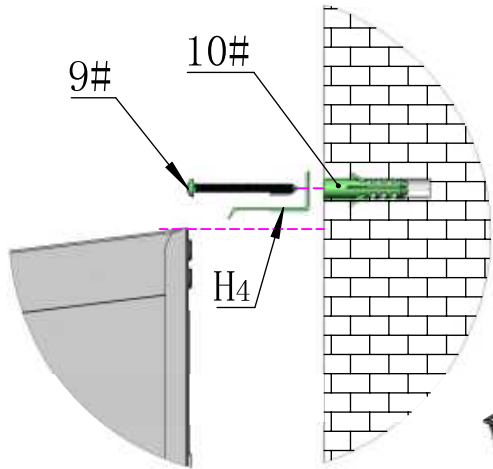
ST6.0*70

9# 12X



10# 12X

Follow this step-by-step installation if you need to fix the canopy to the wall (you need to drill holes into the wall). Otherwise please skip this step.



Tips: Make sure the position of waterproof strip should fit snugly against the gazebo top.



ST6.0*70

9#

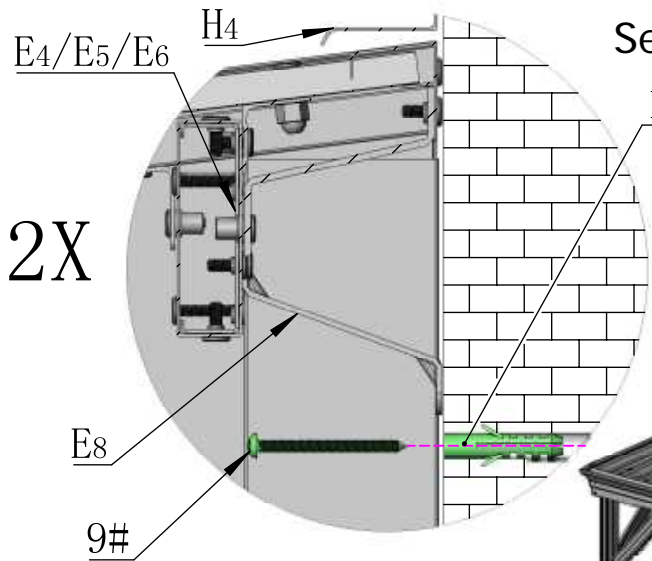
8X



10#

8X

Follow this step-by-step installation if you need to fix the canopy to the wall (you need to drill holes into the wall). Otherwise please skip this step.



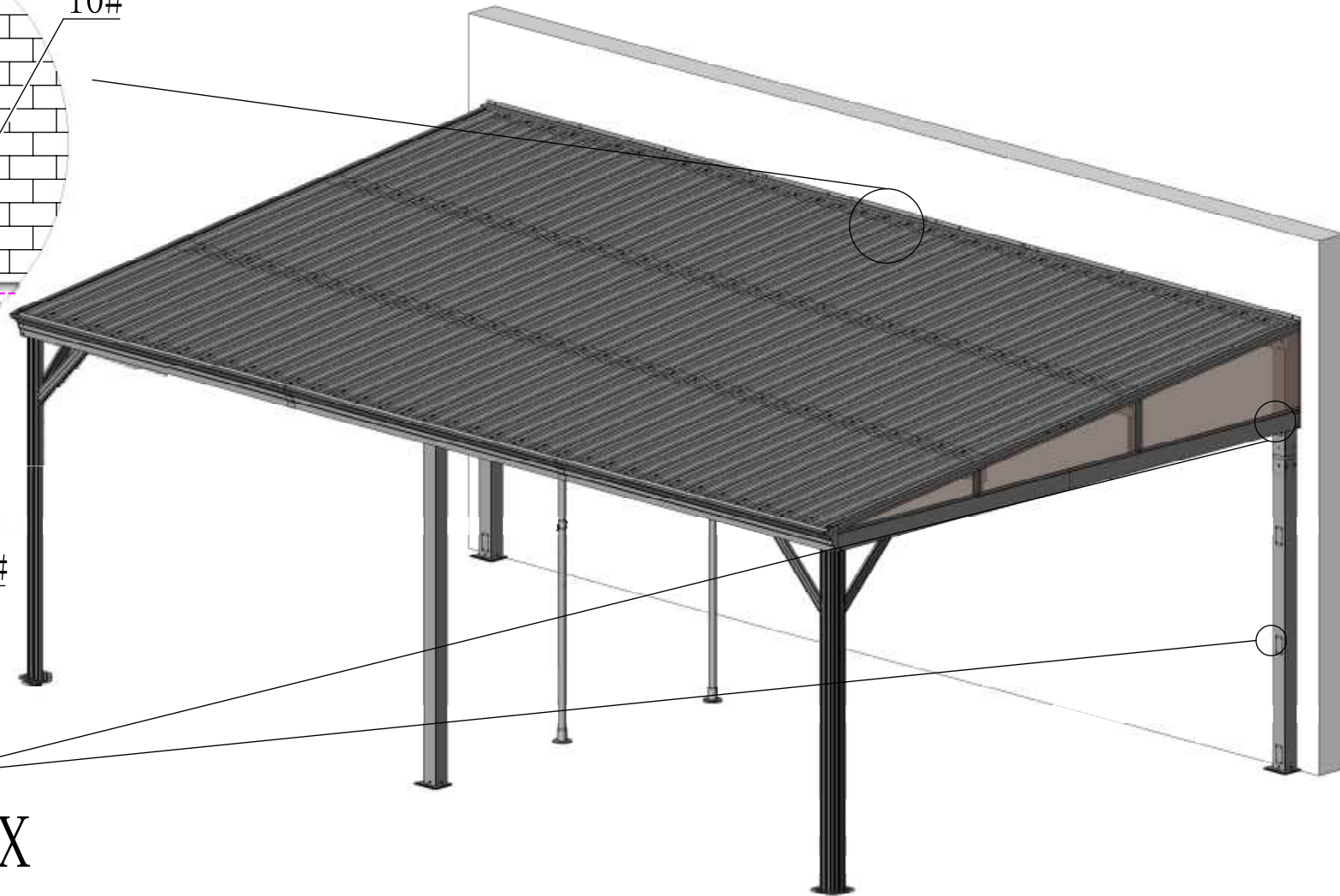
Section View

10#

2X

E8

9#



A10

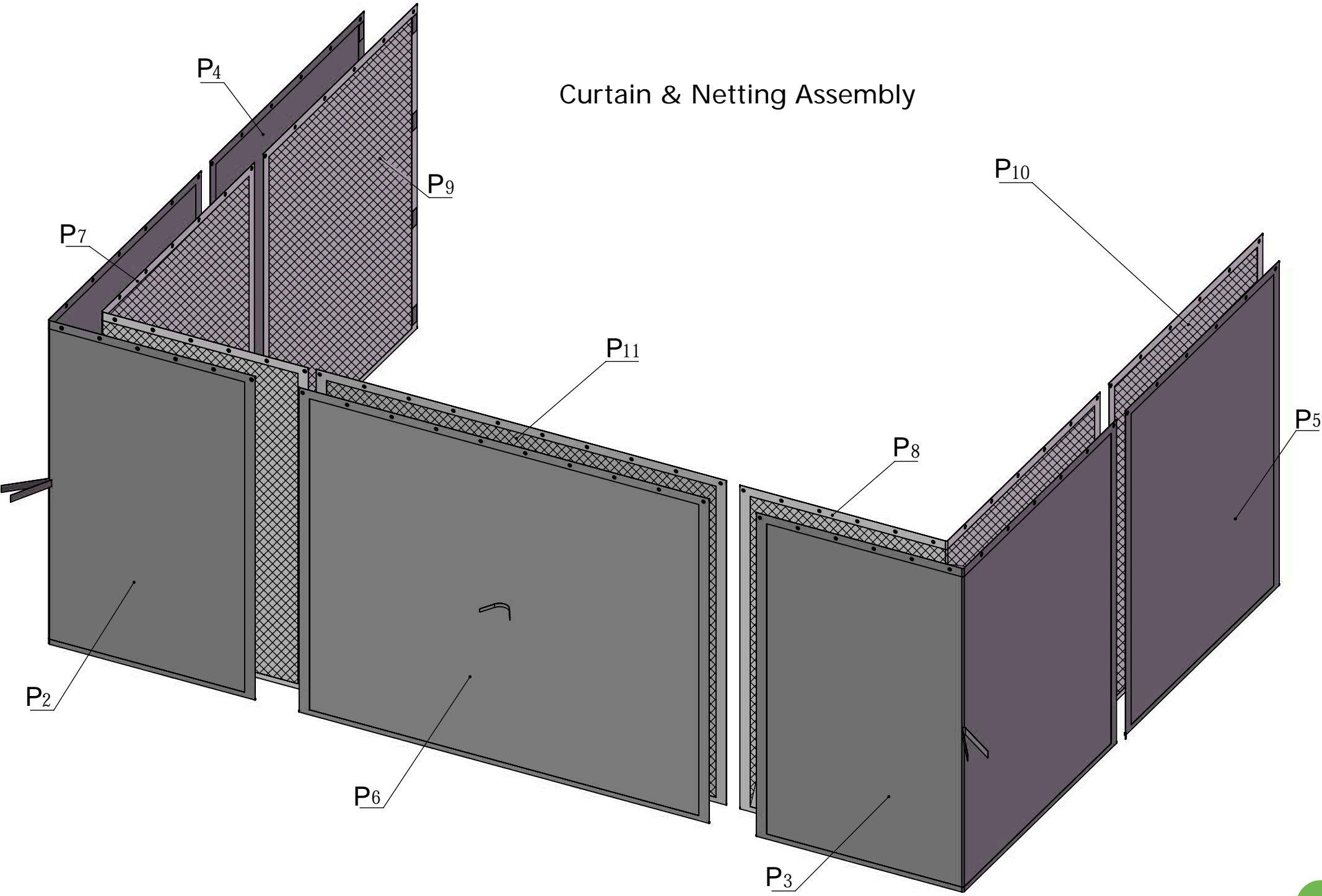
A3/A4/A5/A6

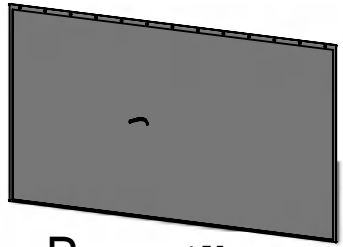
10#

9#

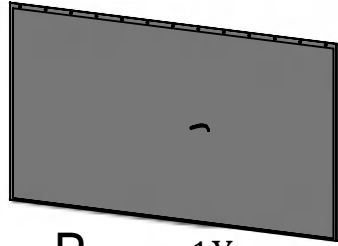
4X

Curtain & Netting Assembly

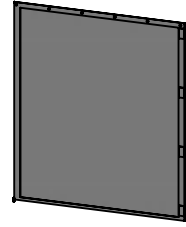




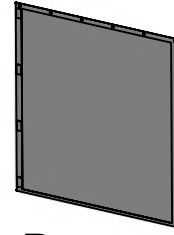
P₂ 1X



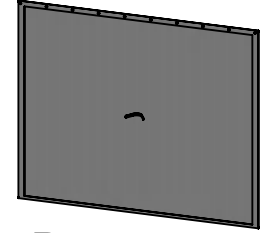
P₃ 1X



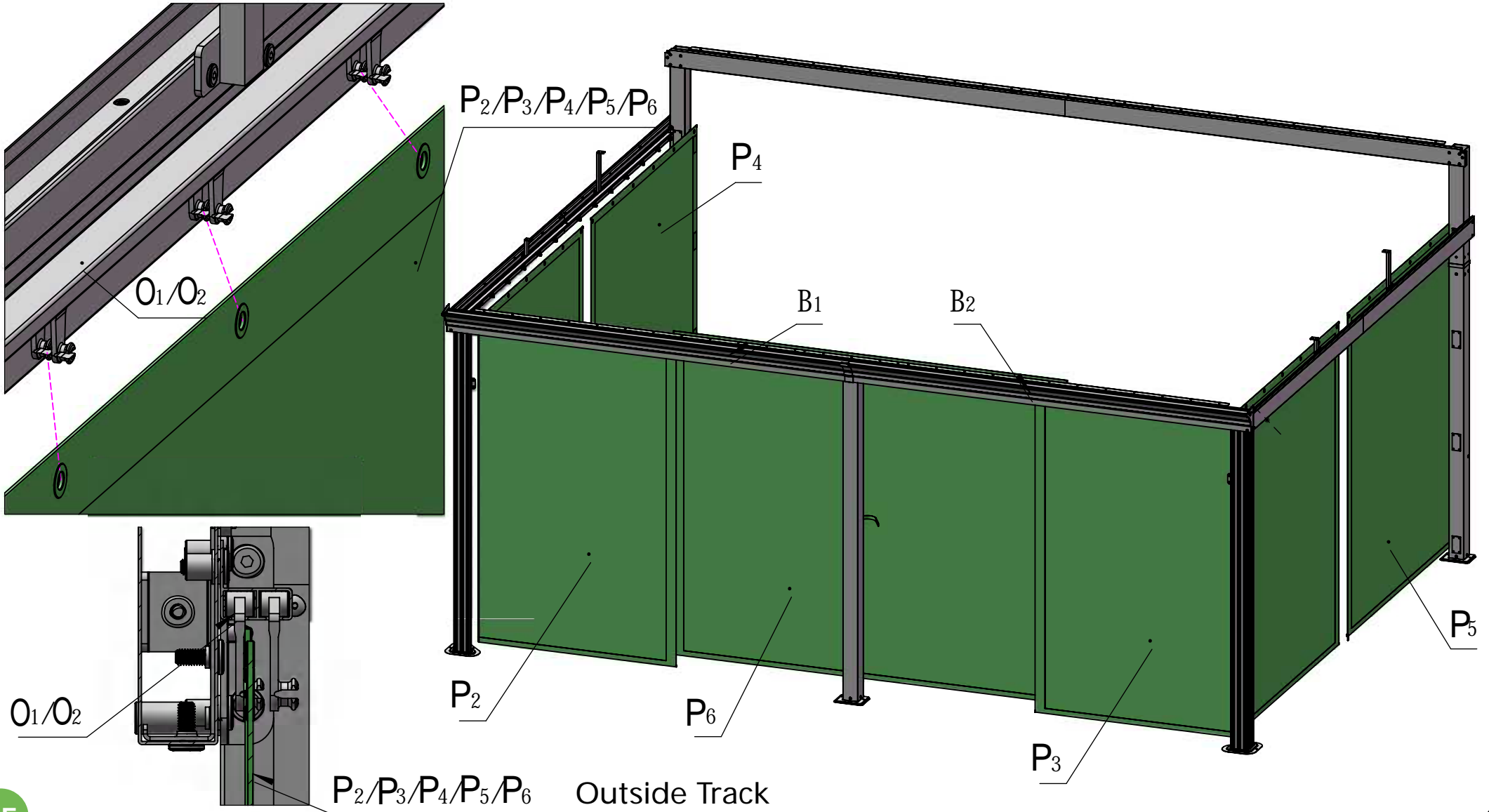
P₄ 1X

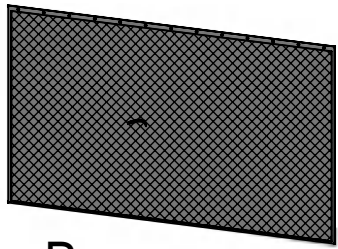


P₅ 1X

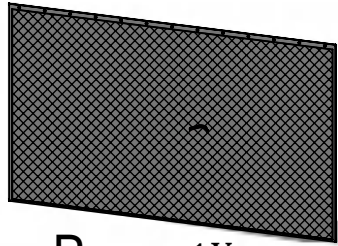


P₆ 1X

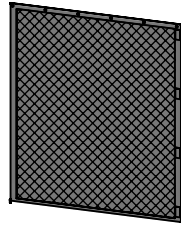




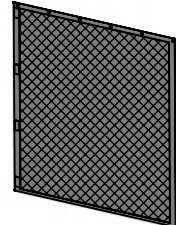
P₇ 1X



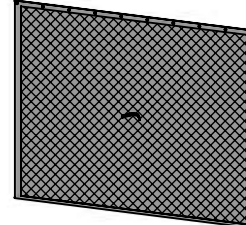
P₈ 1X



P₉ 1X

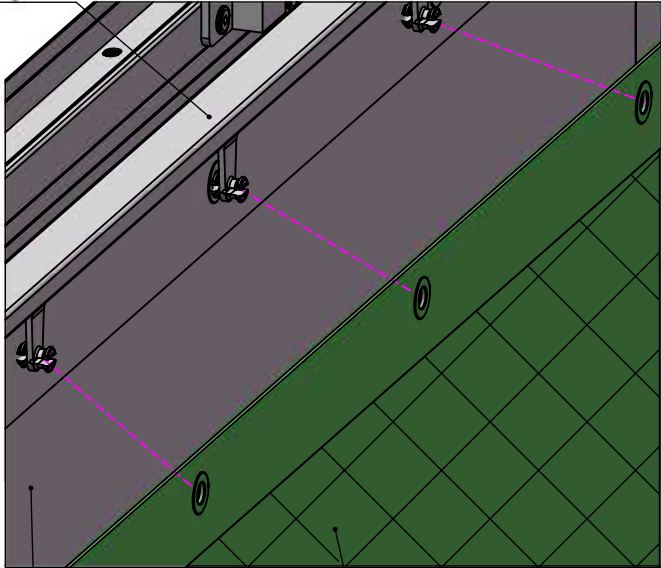


P₁₀ 1X



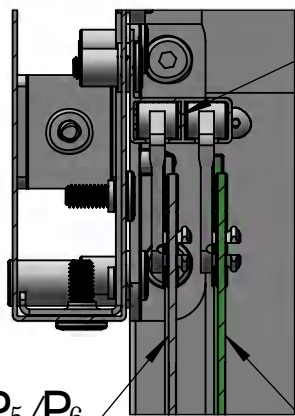
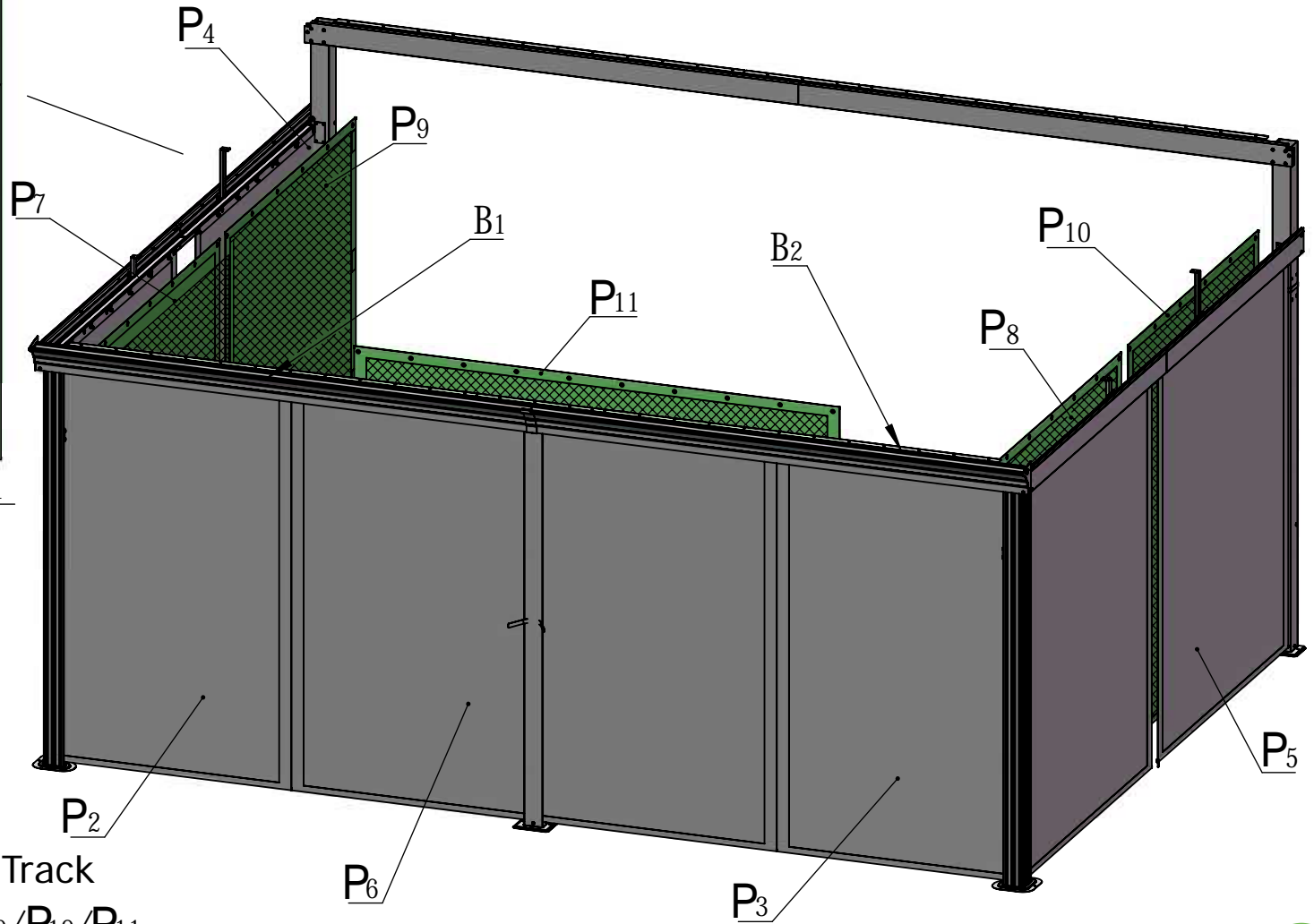
P₁₁ 1X

O₁/O₂



P₂/P₃/P₄/P₅/P₆

P₇/P₈/P₉/P₁₀/P₁₁

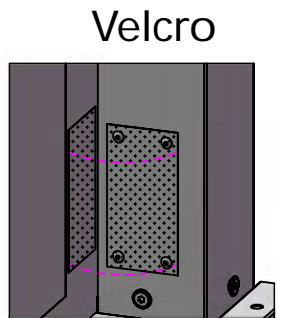
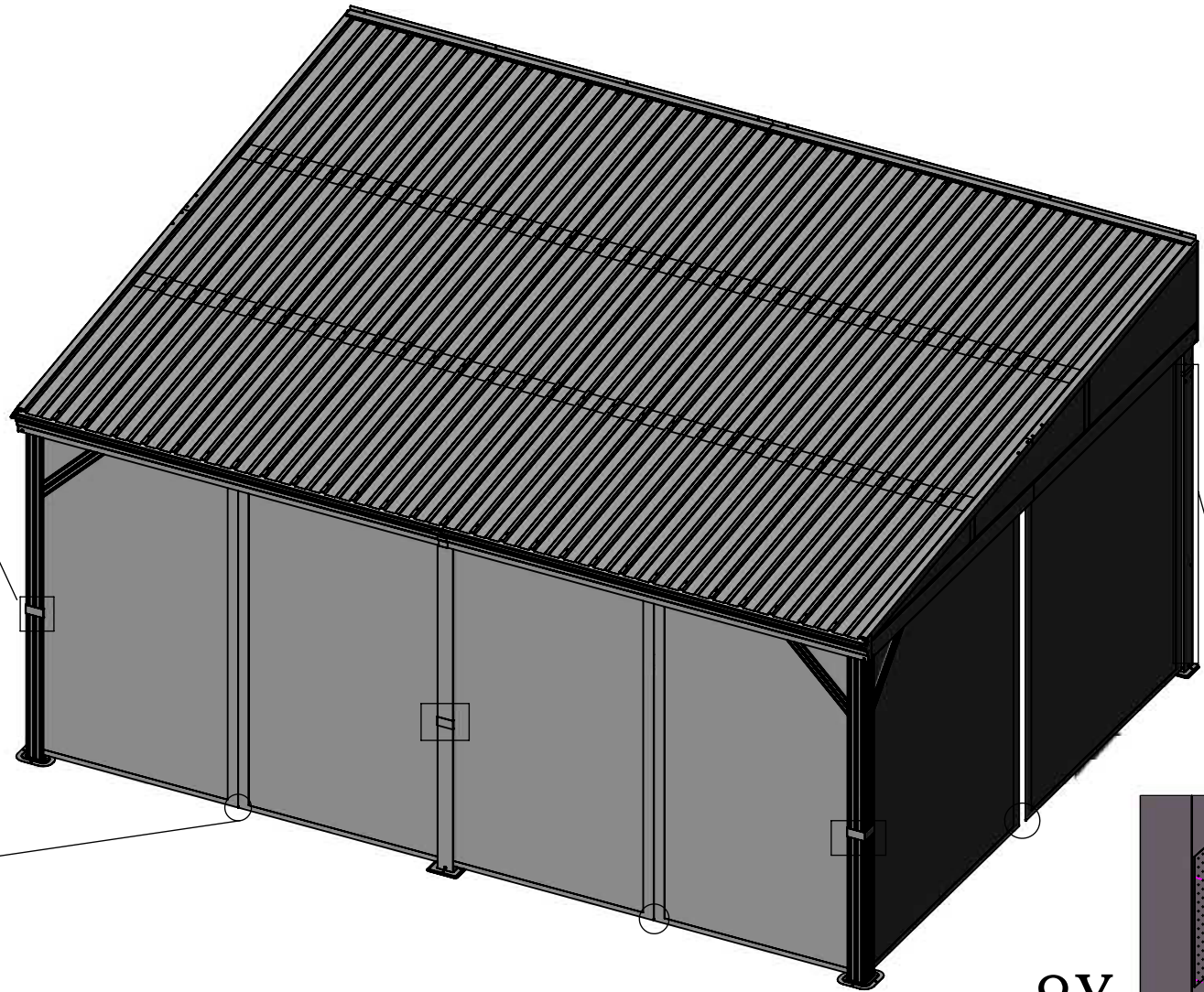
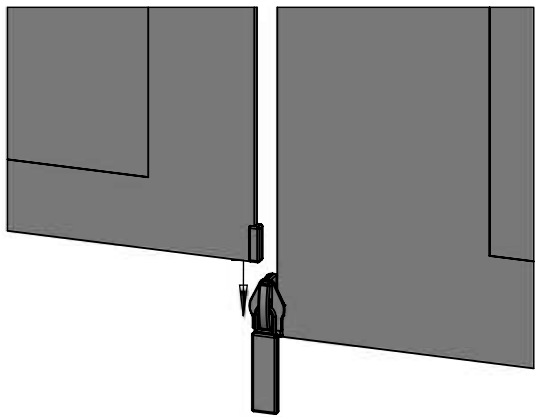
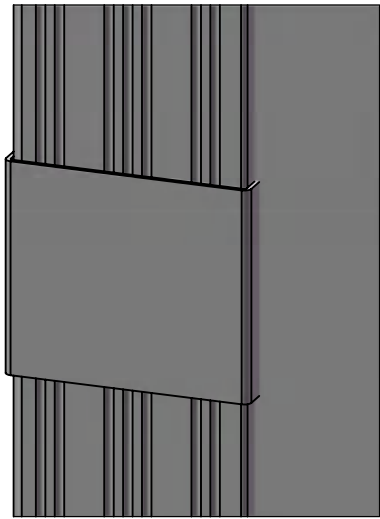


O₁/O₂

Inside Track

P₂/P₃/P₄/P₅/P₆

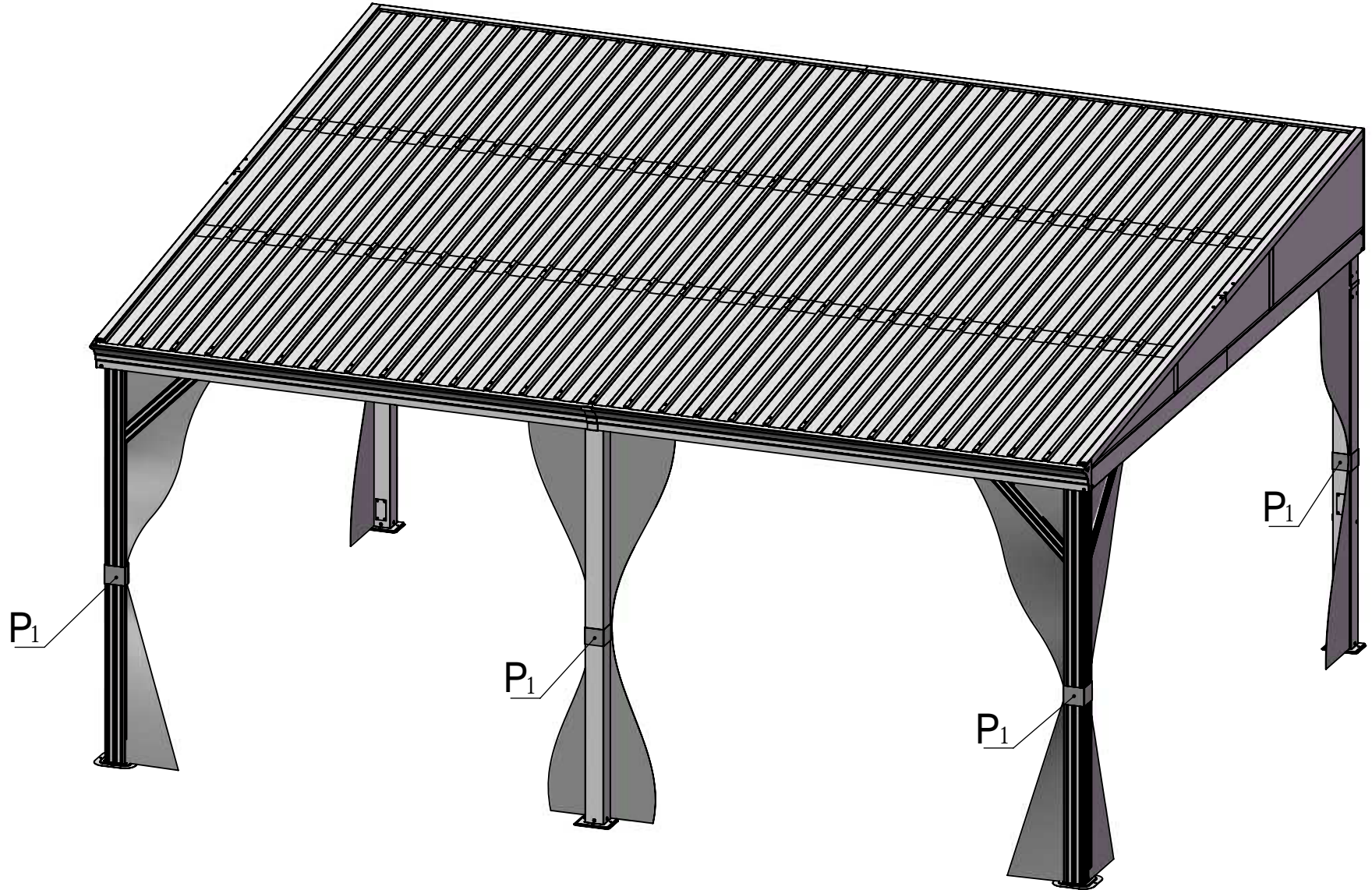
P₇/P₈/P₉/P₁₀/P₁₁



8X



P₁ 5X



Care and Cleaning

Wash frame part with mild soap and water, rinse thoroughly.

Do not use bleach, or other solvents on the frame parts.

Please check periodically that the sunroom is anchored properly to the floor or ground to enjoy its safe usage.

Please check periodically that all screws are tight to maintain the solidity of the structure.

Please remove any snow accumulation at all times.

Warranty

Frames

Frames constructions are warranted to be free from defects in material and workmanship for 1 year from item purchased. Damage to frame from negligence won't be covered by this warranty.

Bolts & nuts

Bolts and nuts are warranted to be free from defects in material and workmanship for 1 year from item purchased. Damage from exposure to chemicals (including not only oils ,spills, fluids) won't be covered by this warranty.

Warranty Limitation

This warranty is for the original purchase order only. (Order number required). This warranty is non-transferable. Domi outdoor living is responsible for the free replacement part including shipping charges for the 1 year warranty.

Warranty Exclusion

This warranty does not cover products subject to negligence, abuse usage, inappropriate installation. Domi outdoor living reserves the right to explain warranty exclusions. When the replacement item is applied, the 1 year warranty automatically expires. Please feel free to contact us for applying warranty.



RESORT COMFORT IN YOUR
OWN BACKYARD

Support:



Business cooperation contact email:

marketing@domioutdoorliving.com

After-sales contact email:

service@domioutdoorliving.com

Please tell us your order ID when contact.

Attach photos of damaged part for instant reply.