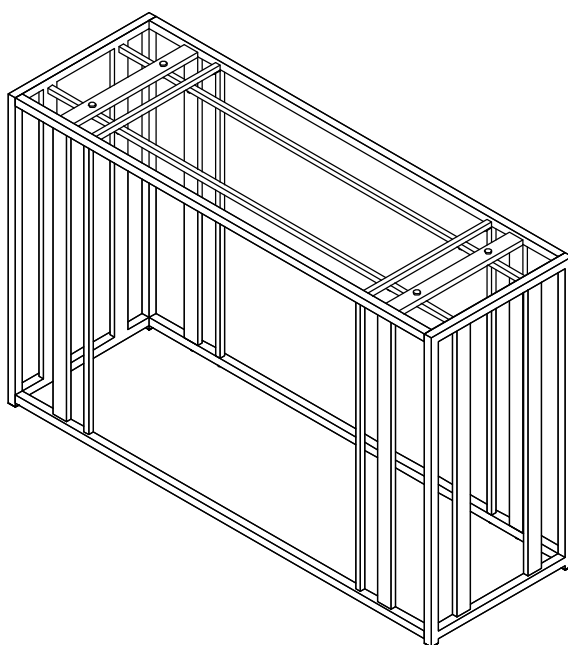


# *ASSEMBLY INSTRUCTIONS*



*Fine Furniture for every stage of life*

***SOFA TABLE***

# ASSEMBLY INSTRUCTIONS

## ASSEMBLY TIPS:

1. Remove hardware from box and sort by size.
2. Please check to see that all hardware and parts are present prior to start of assembly.
3. Please follow attached instructions in the same sequence as numbered to assure fast & easy assembly.

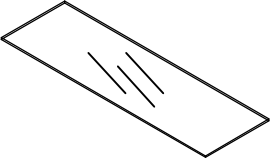
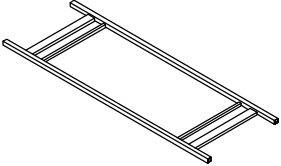
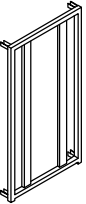
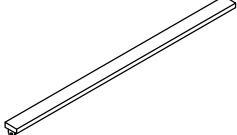
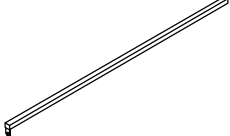
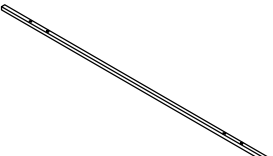


## WARNING!

1. Don't attempt to repair or modify parts that are broken or defective. Please contact the store immediately.
2. This product is for home use only and not intended for commercial establishments.

ASSEMBLY TIME 40 MINUTES

## PARTS IDENTIFICATION

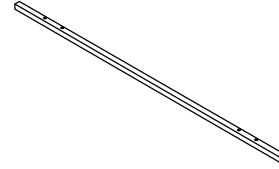
A	TOP GLASS		1PC
B	TOP FRAME		1PC
C	SIDE FRAME		2PCS
D	WIDE CROSSBAR		4PCS
E	THIN CROSSBAR		4PCS
F	SUPPORT CROSSBAR		2PCS

# ASSEMBLY INSTRUCTIONS

## PARTS IDENTIFICATION

G

BOTTOM CROSSBAR



2PCS

## HARDWARE IDENTIFICATION

1

SHORT BOLT  
(1/4" x 12mm)



24PCS

2

MEDIUM BOLT  
(1/4" x 18mm)



8PCS

3

LONG BOLT  
(1/4" x 45mm)



8PCS

4

SUCTION CUP  
( $\phi$ 10mm)



4PCS

5

CAP  
(20 x 20mm)



4PCS

6

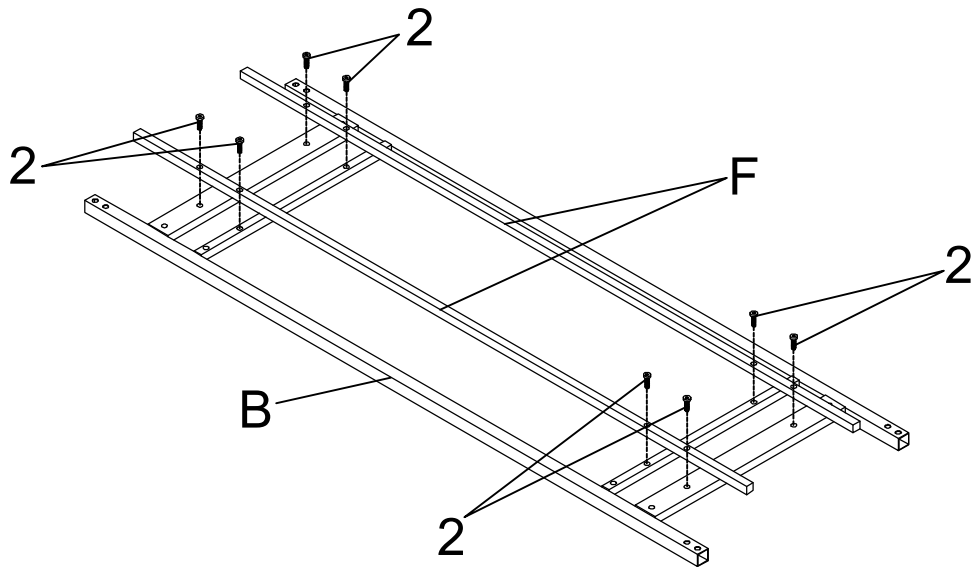
ALLEN WRENCH  
(4mm)



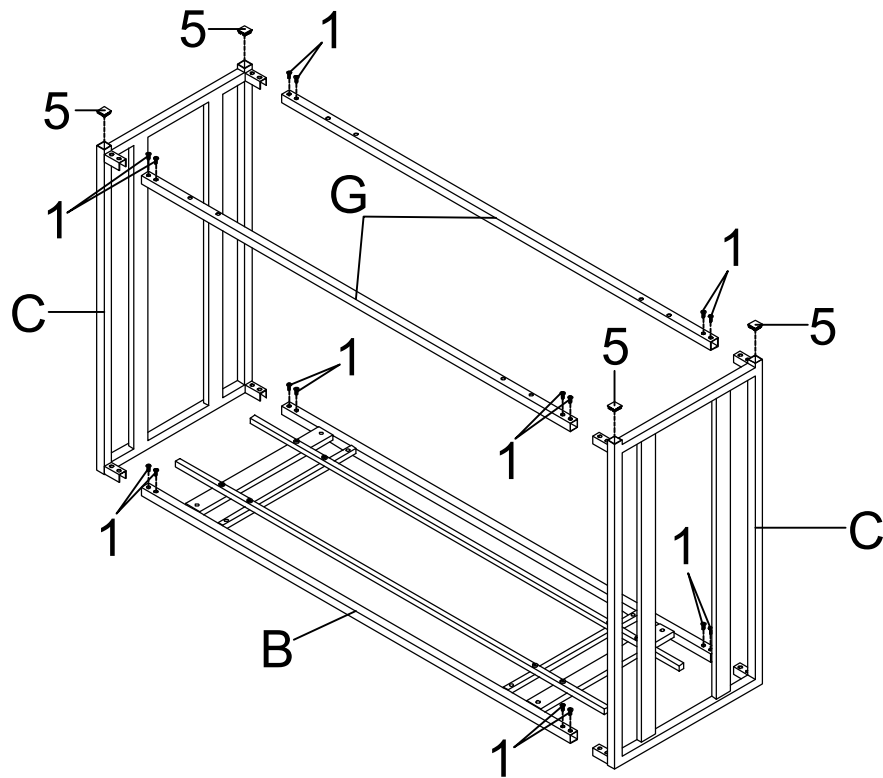
1PC

# ASSEMBLY INSTRUCTIONS

**STEP 1** Do not tighten until each step is completed or instructed.

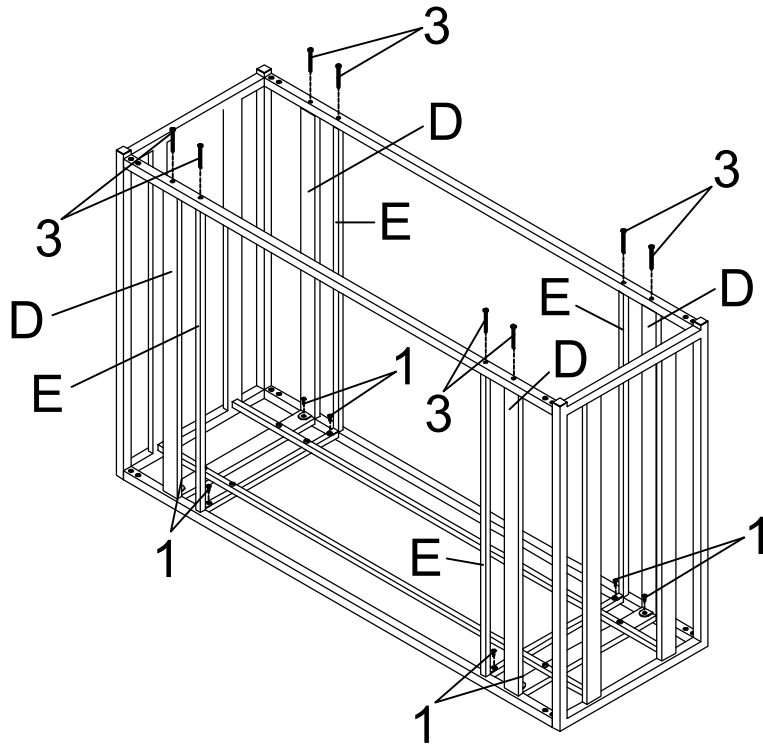


## STEP 2

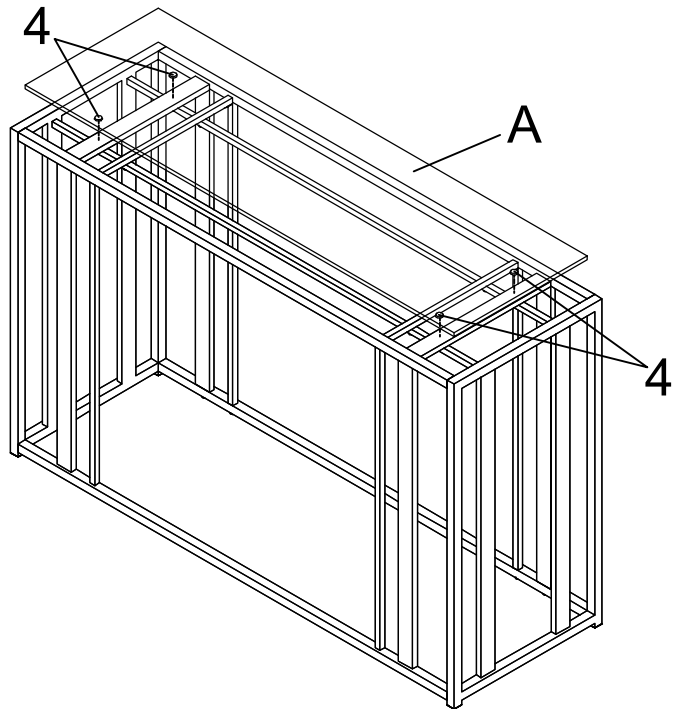


# ASSEMBLY INSTRUCTIONS

## STEP 3



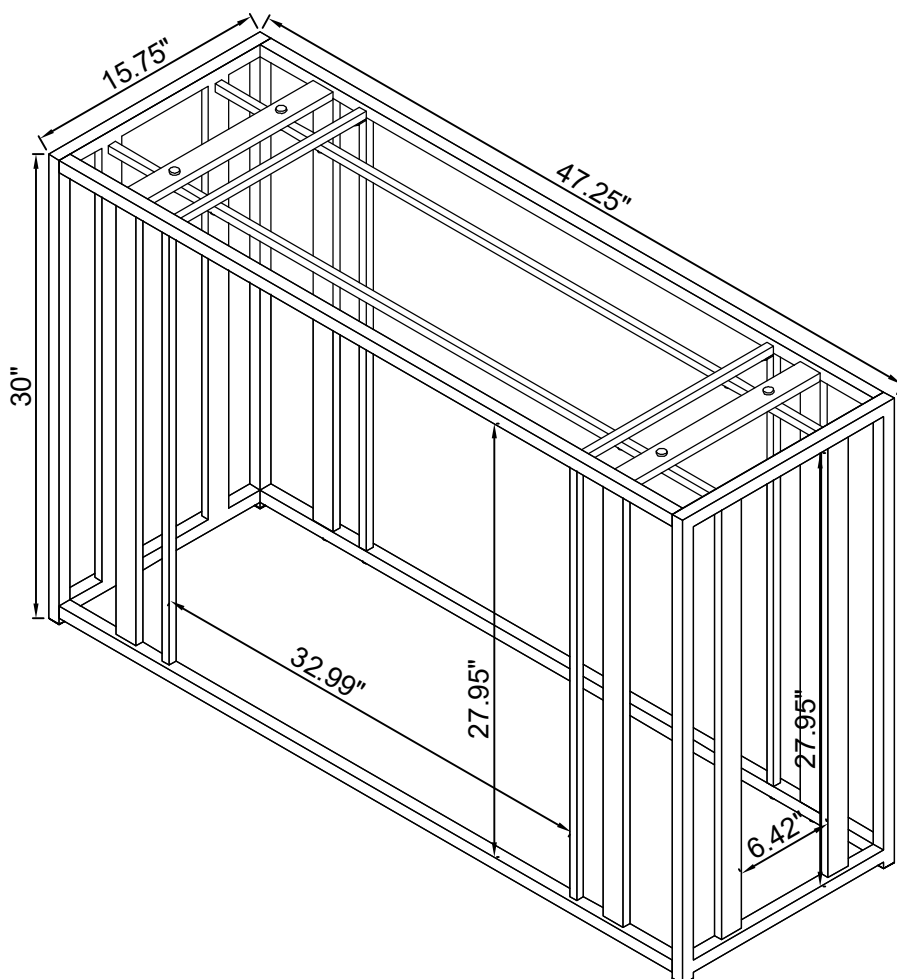
## STEP 4



# ASSEMBLY INSTRUCTIONS

**Product Size : 1200 X 400 X 762 H (MM)**

**Product Size : 47  $\frac{1}{4}$ " X 15  $\frac{3}{4}$ " X 30"**



Note : Dimension tolerance  $\pm 5\%$