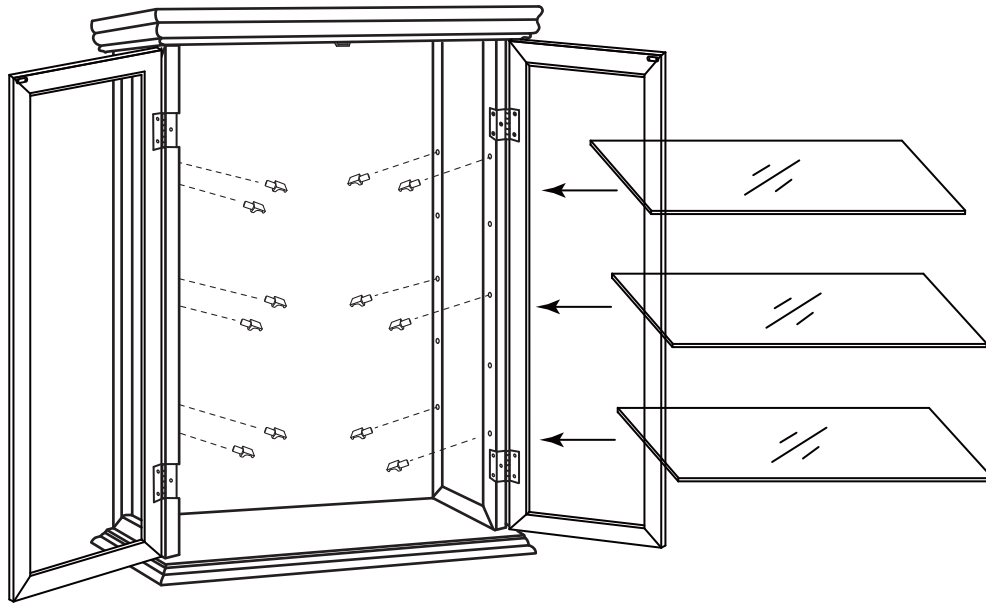
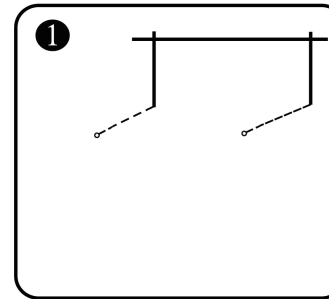


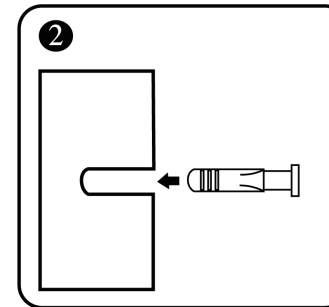
WC26207ES



Fixing Instructions



- Ensure there are no hidden service pipes and cables where you intend to drill.
- If drilling into ceramic tiles, use a drill bit specifically for ceramic tiles.
- Where possible, drill holes in the grout between the ceramic tiles.



- 1 Hold the product into position, ensuring that it is level. Mark the fixing positions on the wall.
- 2 Drill 2 holes and insert 2 plastic wall plugs.
- 3 Fit the screws into the plastic plugs. Attach the product into position over the hook of product.